

Set of 2 Mosaic Touch Lamps with White Shades



LIGHT SOURCE DATA

- 2 x 60W Max E14 SES (required)
- Lamp direction - Indirect
- Lamp shape - Standard
- Non-dimmable
- Energy range: A++, A+, A, B, C, D, E

DIMENSION DATA

- Height 360mm
- Diameter 250mm

SPECIFICATION

- Manufacturer warranty for 2 years from date of purchase
- Chrome plated & white tc cotton
- IP20
- Touch On/Off Switch
- Class 2 - Double Insulated, No Earth
- 240V
- Assembly required? No
- CE Marking, Energy Efficient, Energy Saving

CERTIFICATION

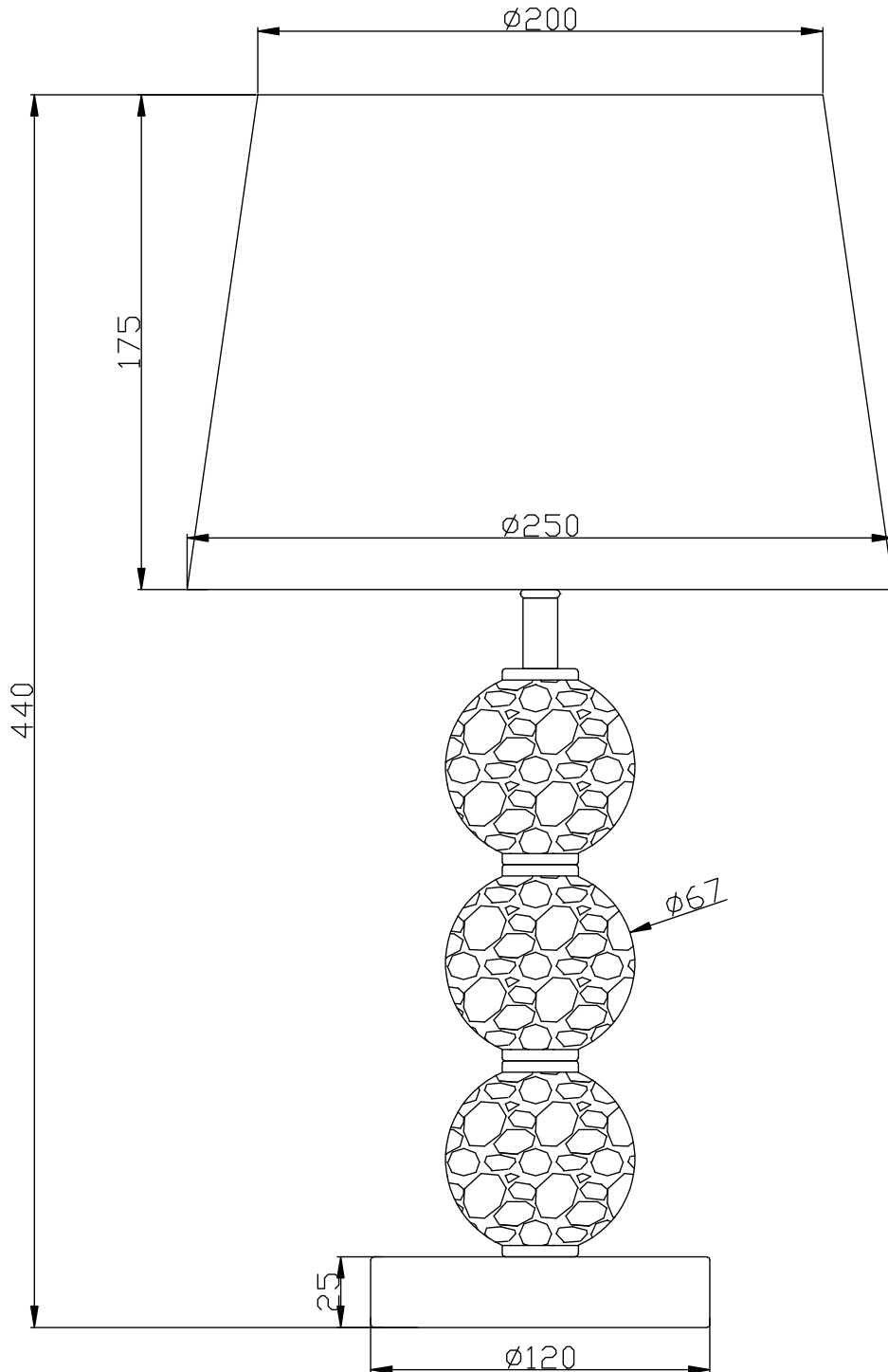


CONTACT

www.firstchoicelighting.co.uk

info@firstchoicelighting.co.uk

Set of 2 Mosaic Touch Lamps with White Shades



CERTIFICATION



CONTACT

www.firstchoicelighting.co.uk

info@firstchoicelighting.co.uk