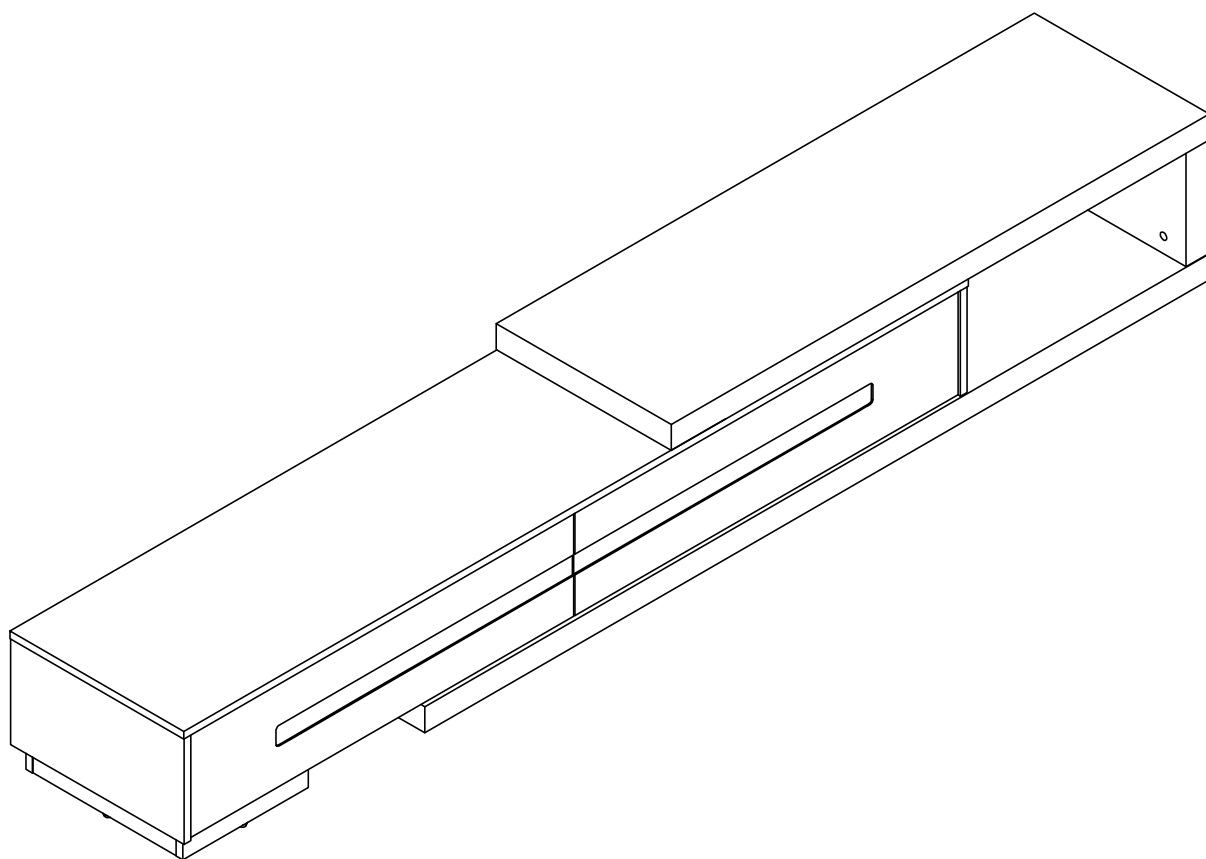
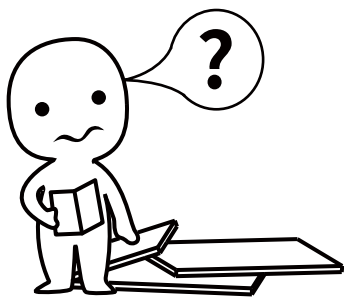


# TV Cabinet

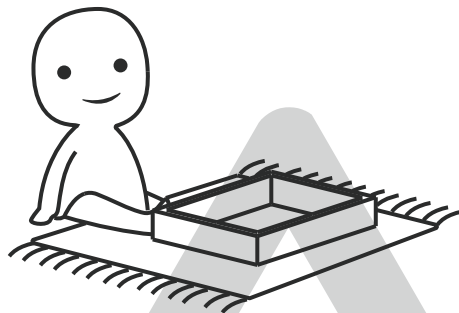
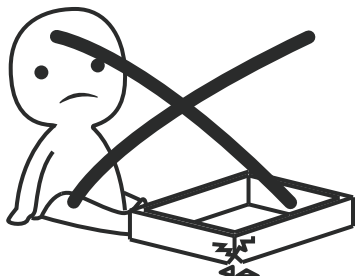
## HKDM045 Assembly Manual





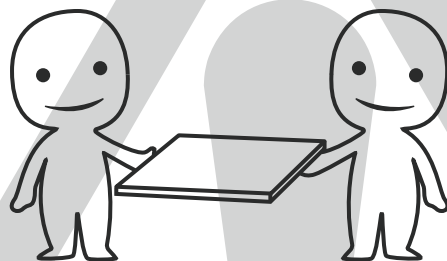
### **IMPORTANT INFORMATION!**

please read the entire manual before starting to assemble and/or using this product. follow the manual thoroughly and keep it for further reference.



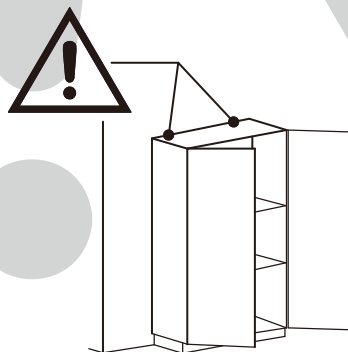
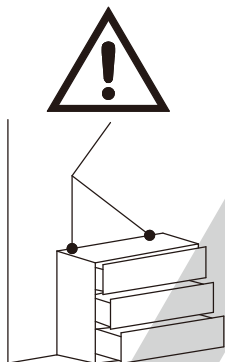
### **AVOID SCRATCHES!**

In order to avoid scratching this furniture should be assembled on a soft layer—could be a rug.



### **IMPROVE EFFICIENCY !**

Try to find a partner to install with you, which can speed up the installation efficiency and shorten the time.



### **ANTI-TOPPLE WARNING !**

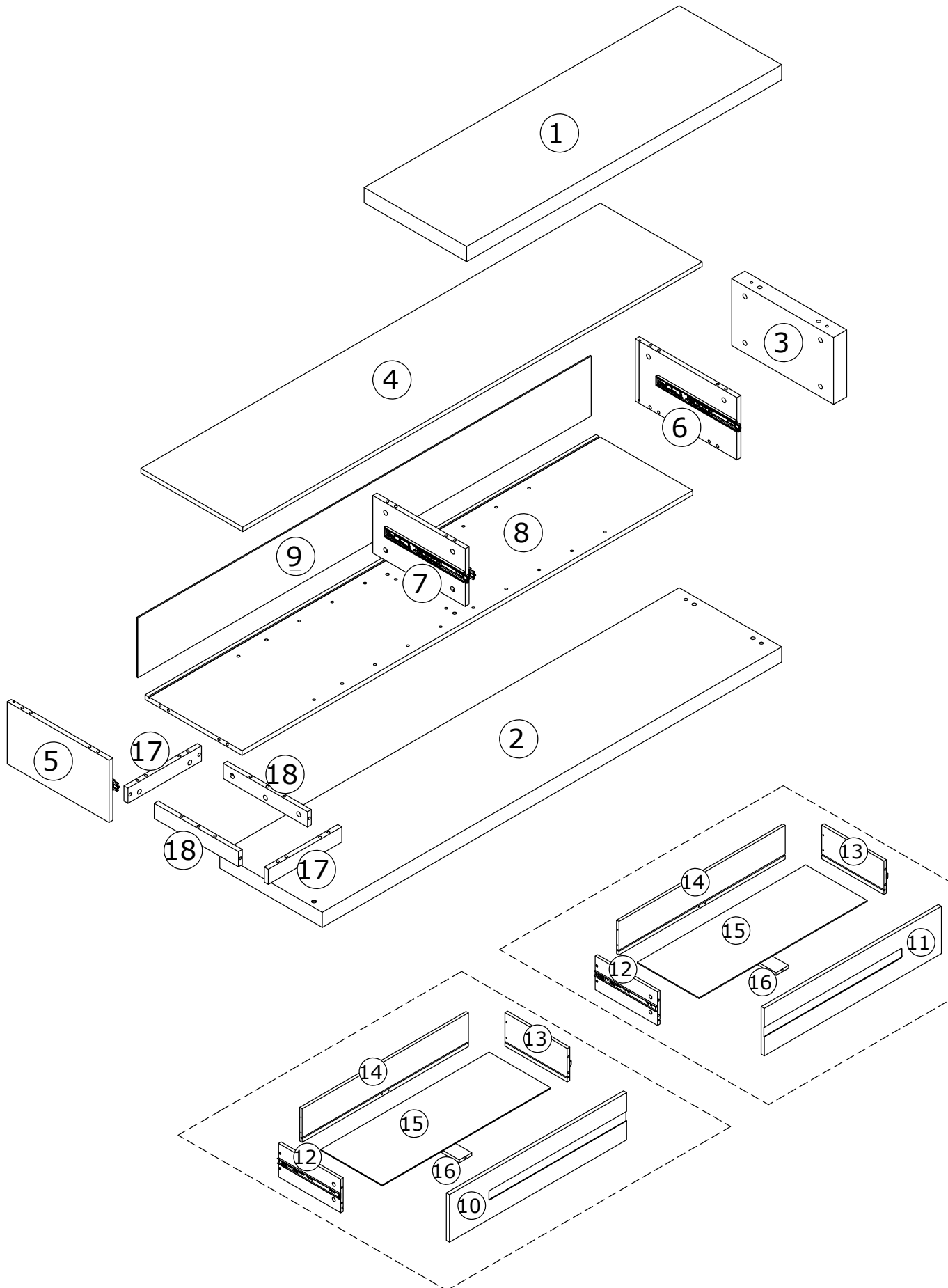
Overturned furniture can cause serious or fatal crush injuries. To prevent tipping over, be sure to use the wall attachment, if not included with this product. Please purchase the wall attachment that fit your wall. If unsure, seek professional advice. Please read and follow each step of the instructions carefully.

### **IMPORTANT !**

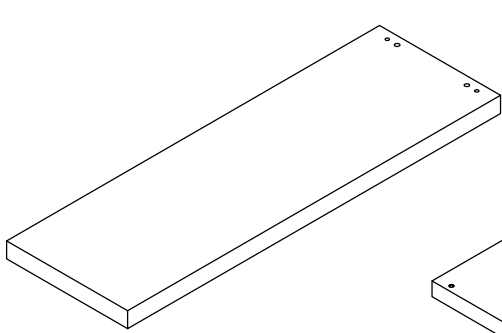
It is important that any product which is assembled using any kind of screw is re-tightened 2 weeks after assembly, and once every 3 months - in order to assure stability through-out the lifespan of the product.

For regular maintenance and cleaning of the product, for the frame, please use a rag dipped in neutral detergent to fully wipe it, and then dry it with a clean rag. For glass materials, wipe with a rag dampened with water glass cleaner, and then dry with a dry rag.

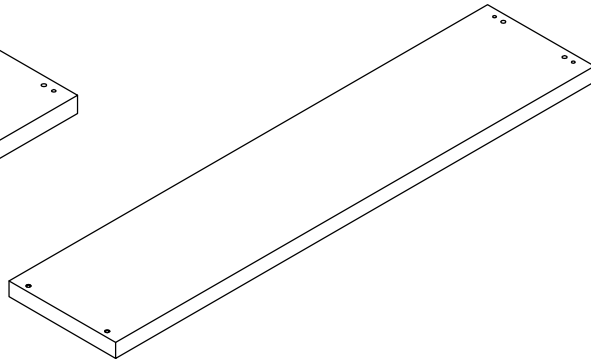
# Board Identification



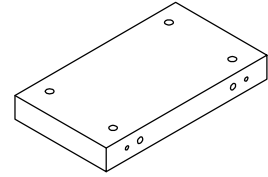
# PARTS LIST



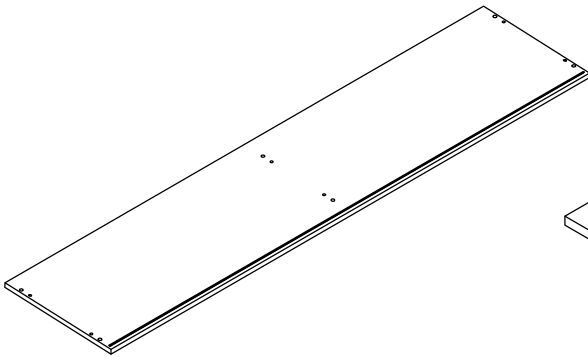
①



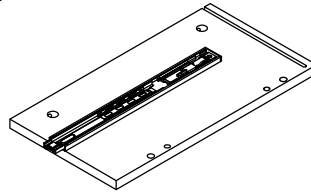
②



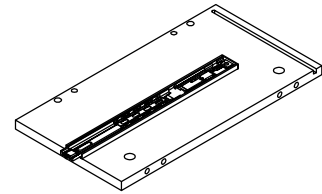
③



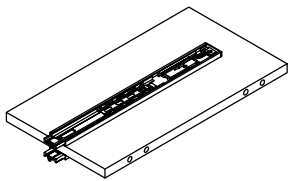
④



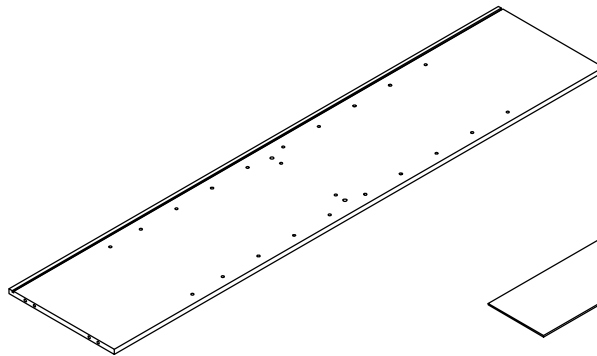
⑤



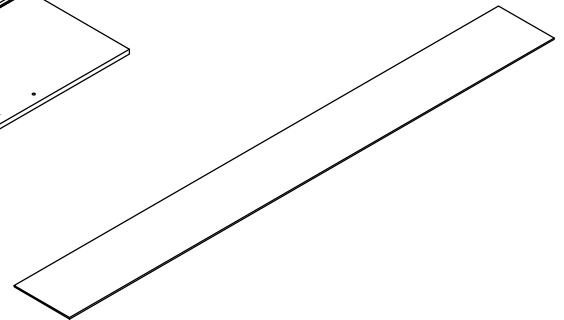
⑥



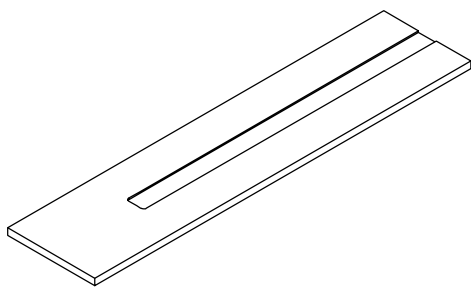
⑦



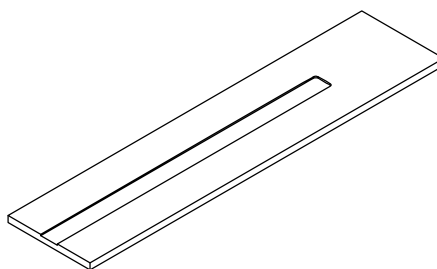
⑧



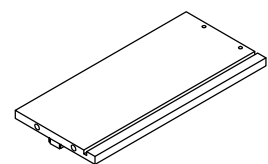
⑨



⑩

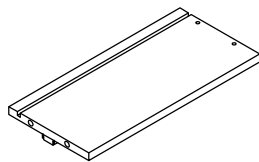


⑪

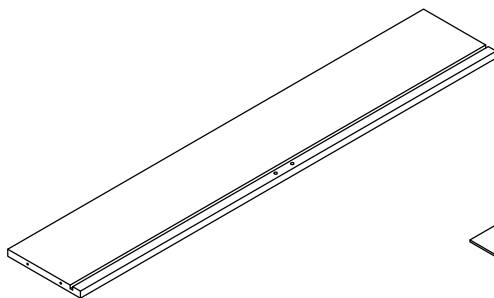


⑫ X2

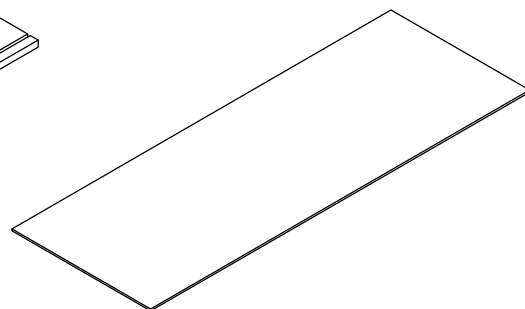
# PARTS LIST



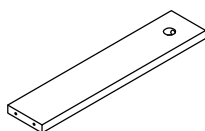
⑬ X2



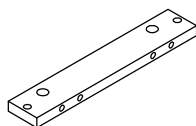
⑭ X2



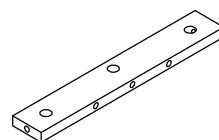
⑮ X2



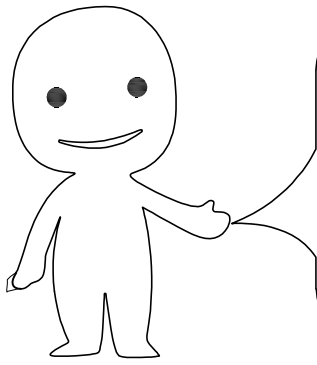
⑯ X2



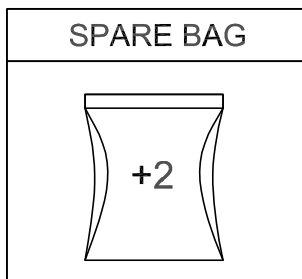
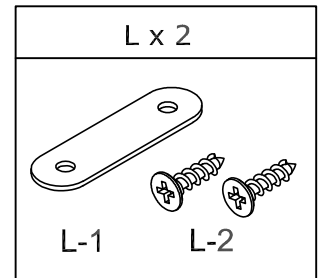
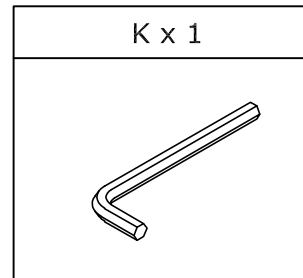
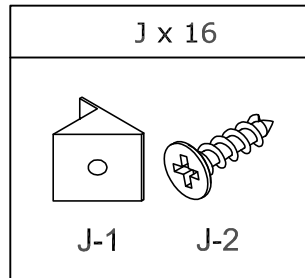
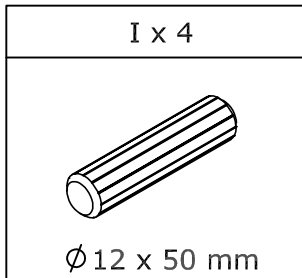
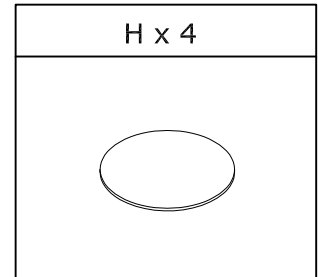
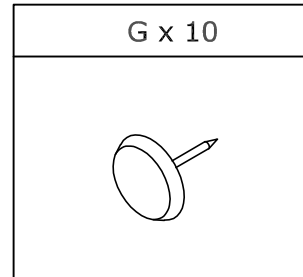
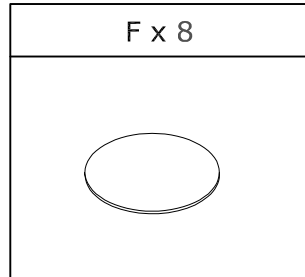
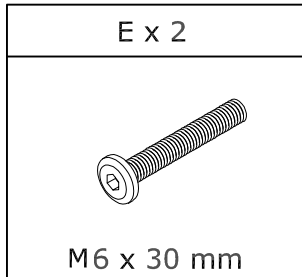
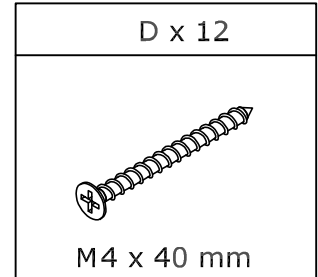
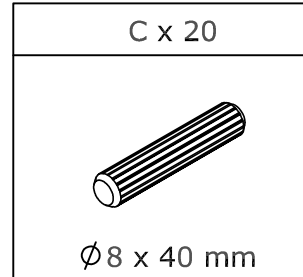
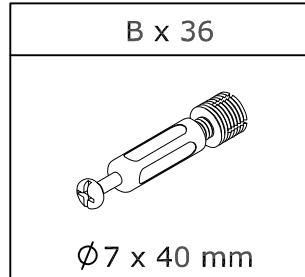
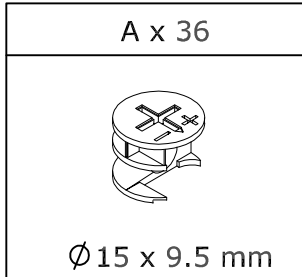
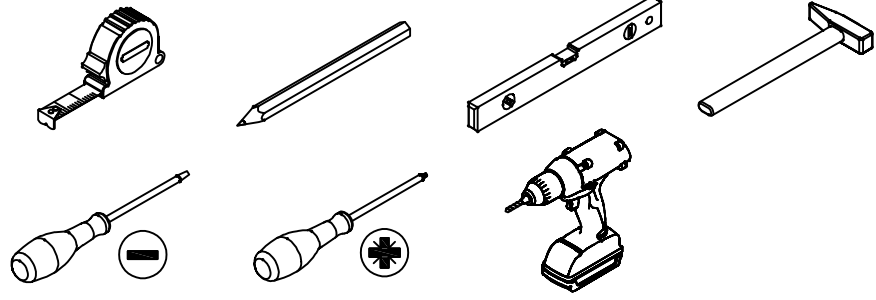
⑰ X2



⑱ X2

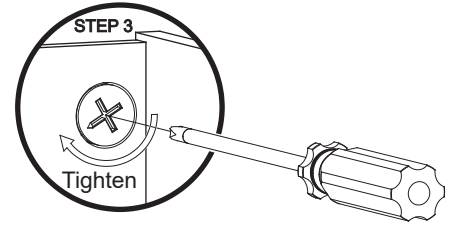
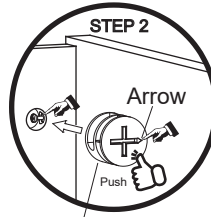
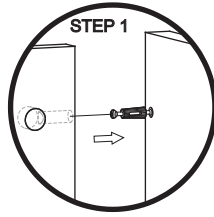
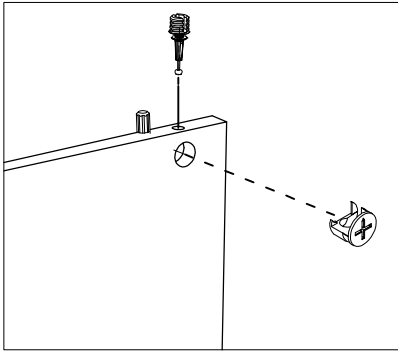


Please prepare the following tools



Tips: The number after “+” represents the spare hardware.

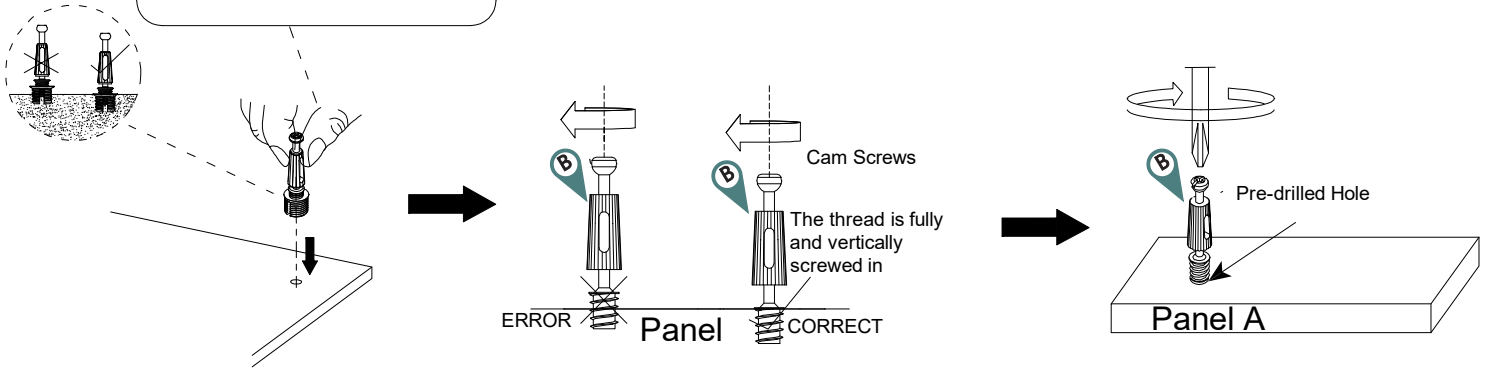
## MINIFIX POSITION



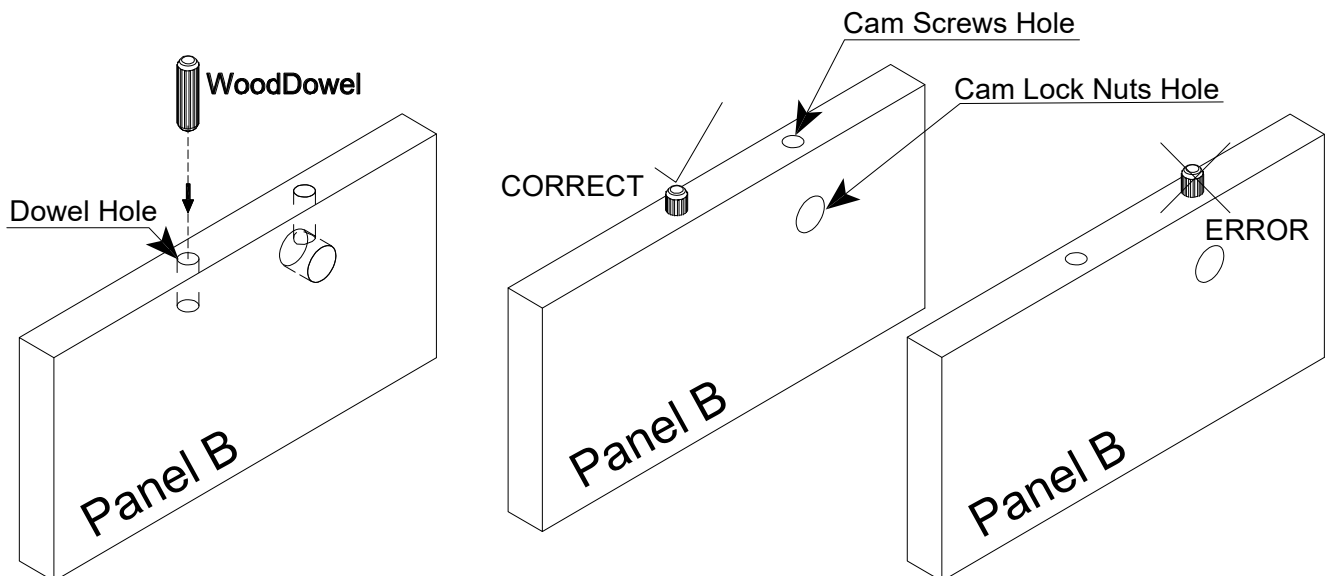
Push the **KD cam** all the way into the hole before tightening.

## 1. Screw the Cam Screws into the pre-drilled holes in the panel.

If pressing is laborious, please loosen the rubber sleeve in reverse and try again



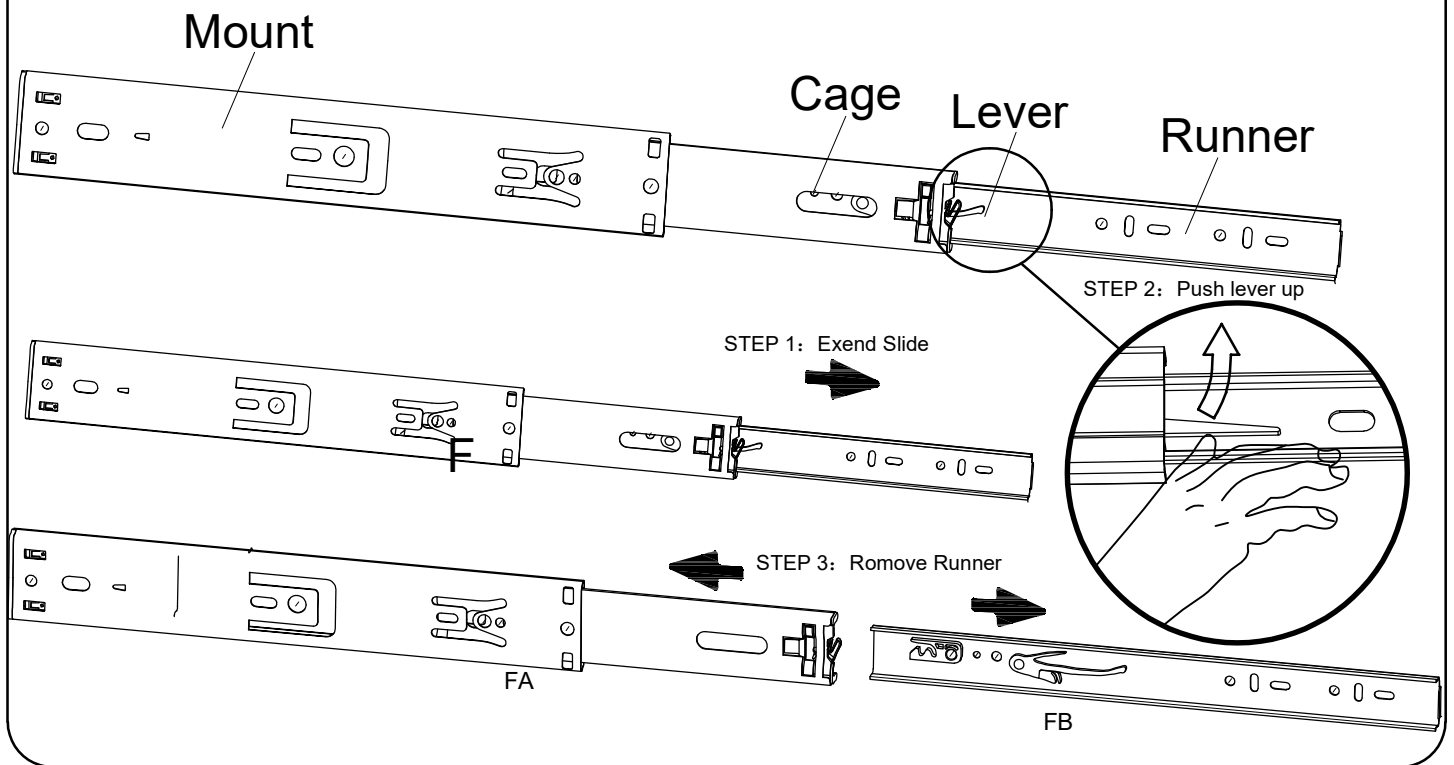
## 2. Screw the WoodDowel into the pre-drilled holes in the panel.



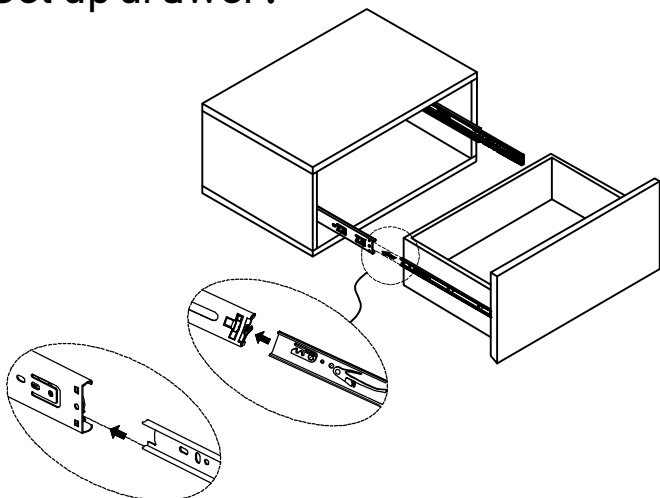
## REMARK:

Slides must be separated before assembly.

After separated, set aside until needed for assembly.

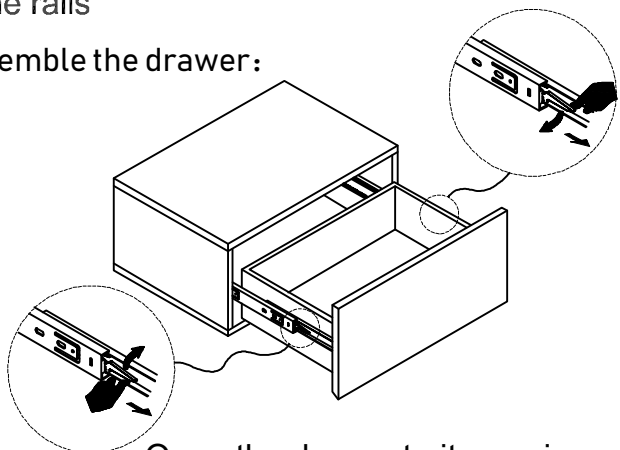


## Set up drawer:

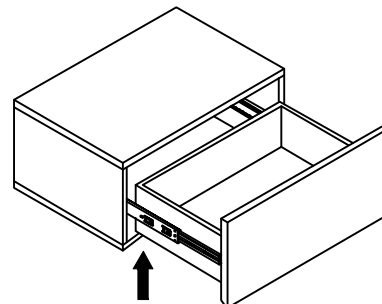


Align the rails

Disassemble the drawer:

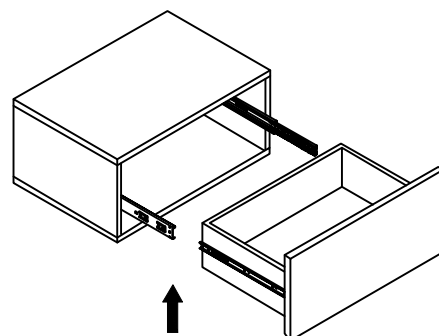


Open the drawer to its maximum position, press the unlocking clips on both sides of the track.



· Align and properly match the two track parts on the drawer. Push the drawer forward into the tracks until it reaches the rear.

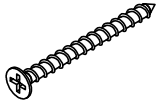
· Repeatedly (2-4 times) push and pull the drawer to check if it slides smoothly. If not, disassemble the drawer and re-install.



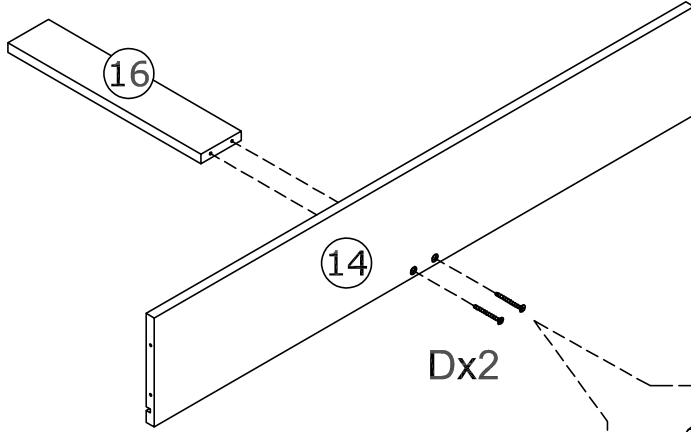
Then remove the drawer.

**01**

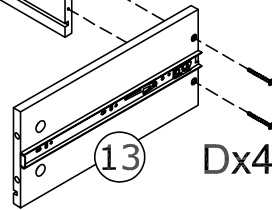
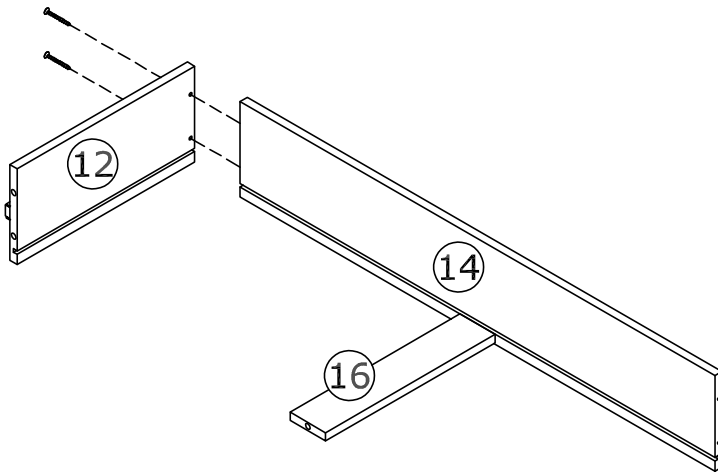
D x 12



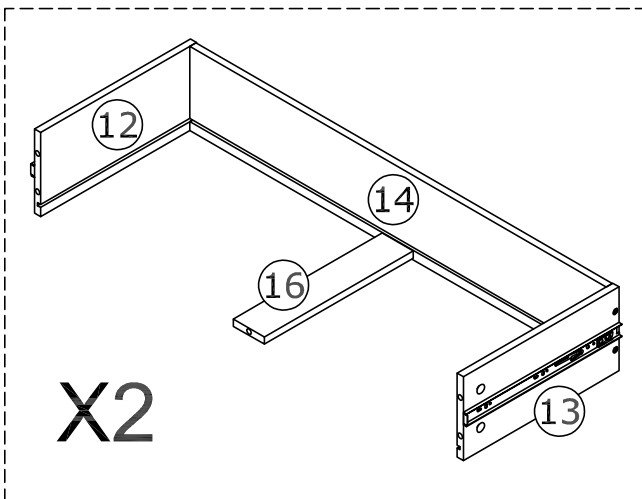
M4 x 40 mm



**X2**



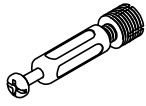
**X2**



**X2**

**02**

B x 10

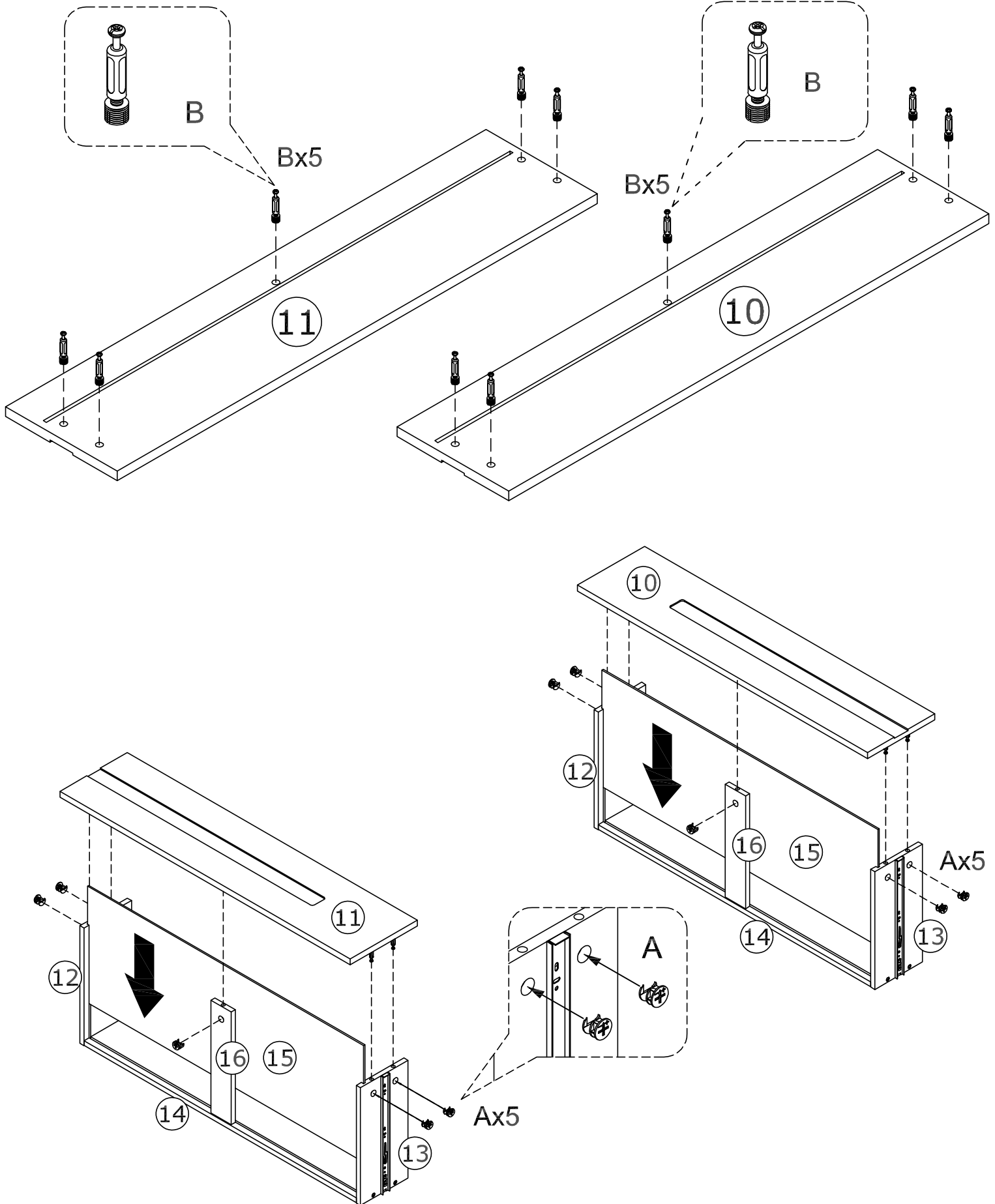


Ø7 x 40 mm

A x 10

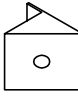


Ø15 x 9.5 mm

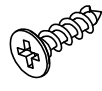


**03**

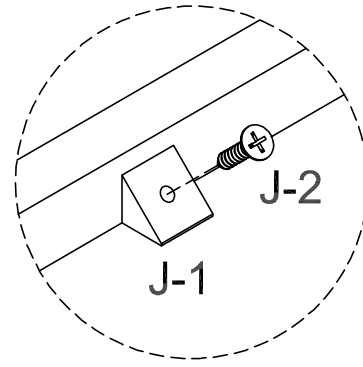
J x 8



J-1

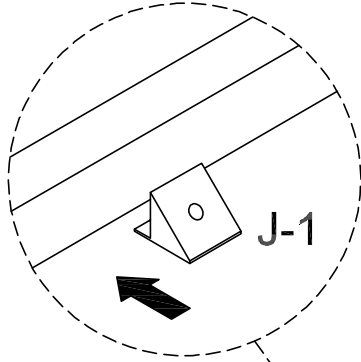


J-2

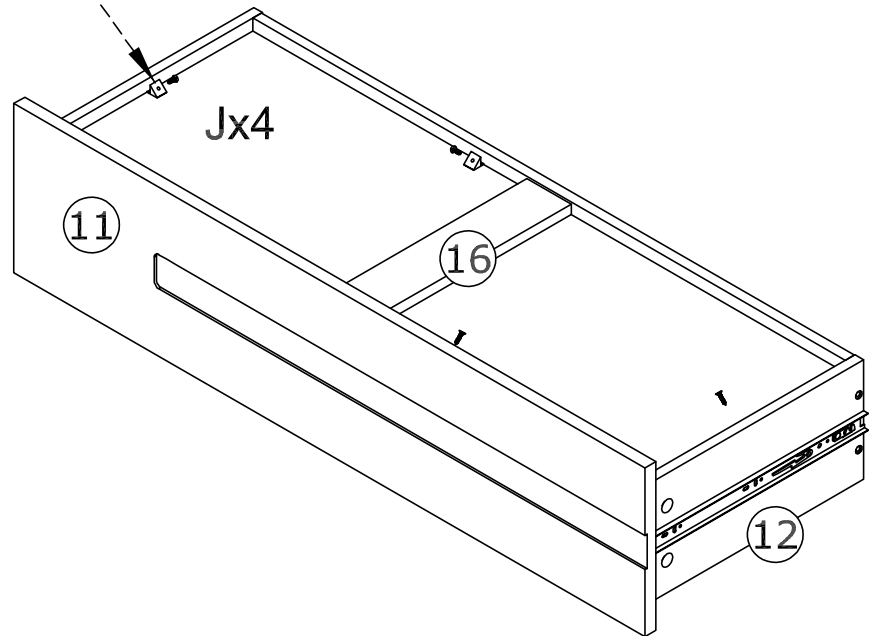


J-1

J-2



J-1

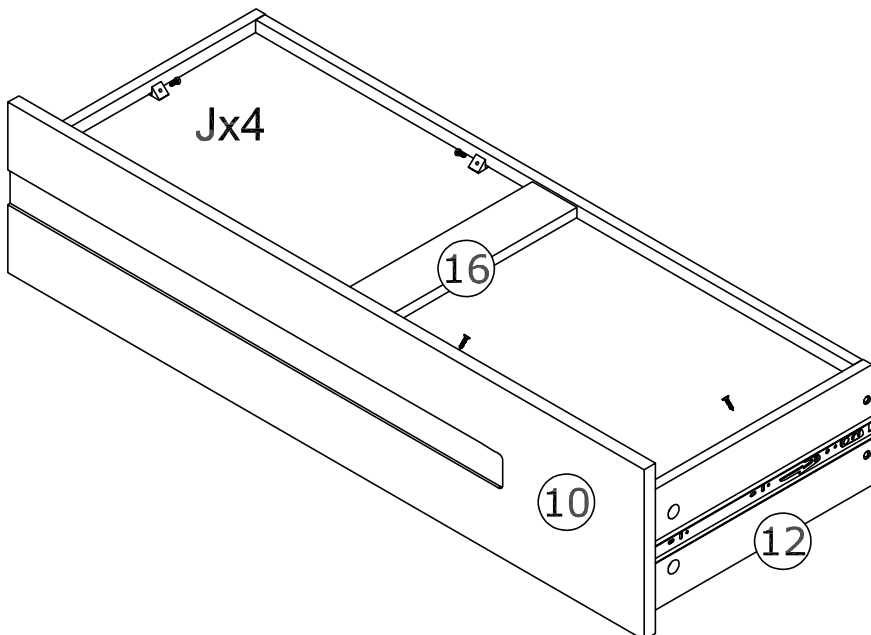


Jx4

11

16

12



Jx4

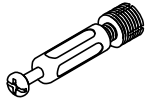
10

16

12

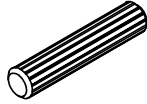
**04**

B x 6

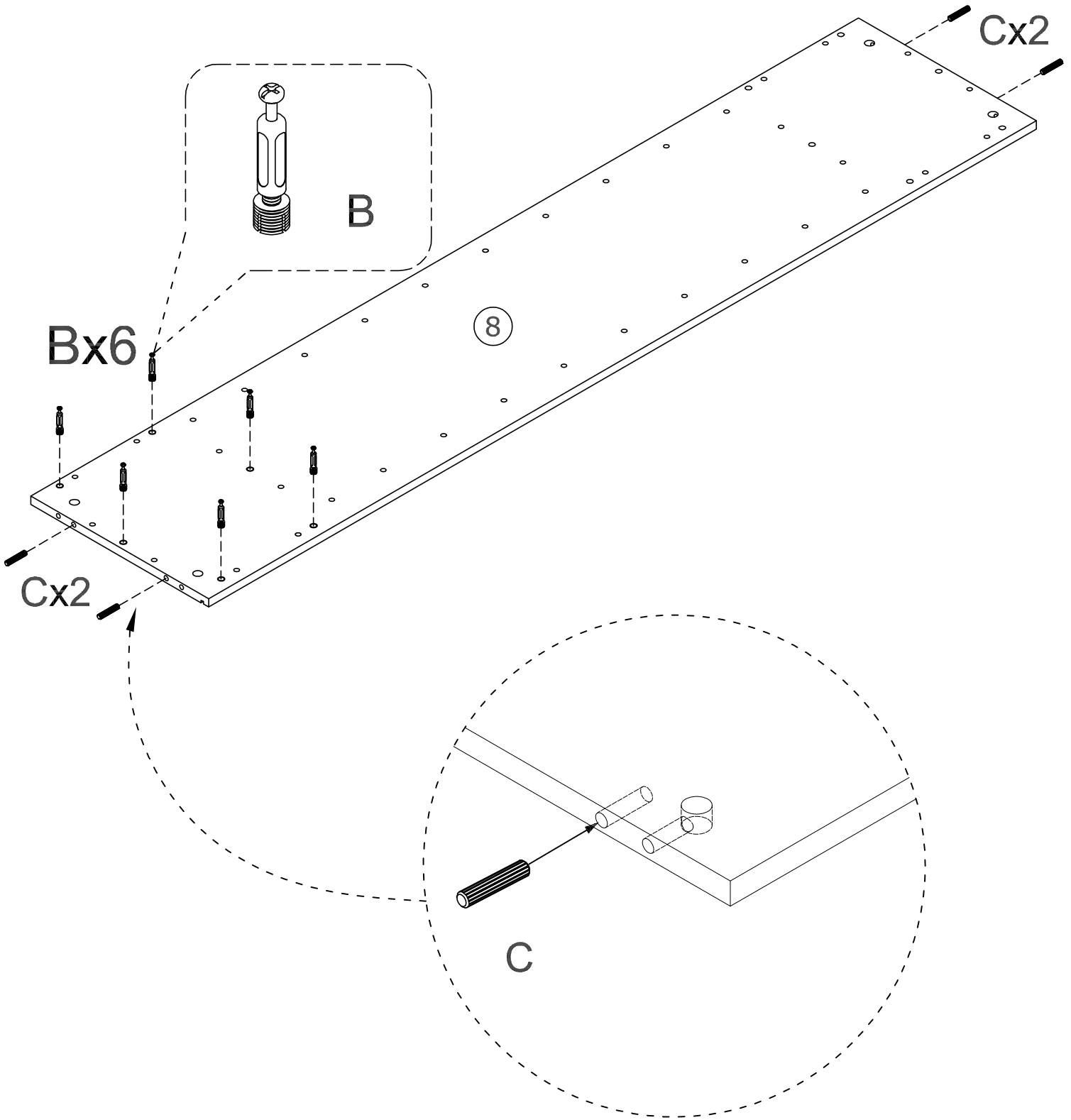


Ø7 x 40 mm

C x 4

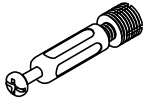


Ø8 x 40 mm



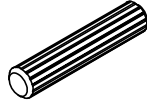
**05**

B x 4

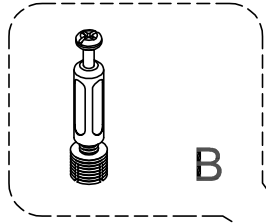


Ø7 x 40 mm

C x 8

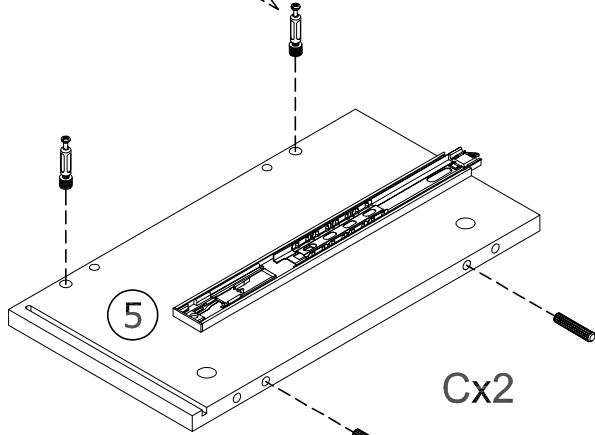


Ø8 x 40 mm



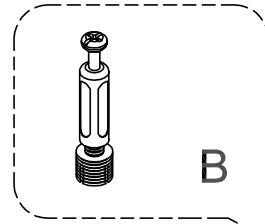
B

Bx2



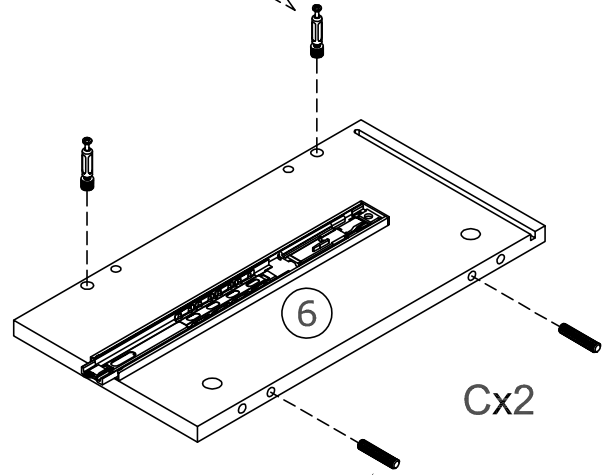
5

Cx2



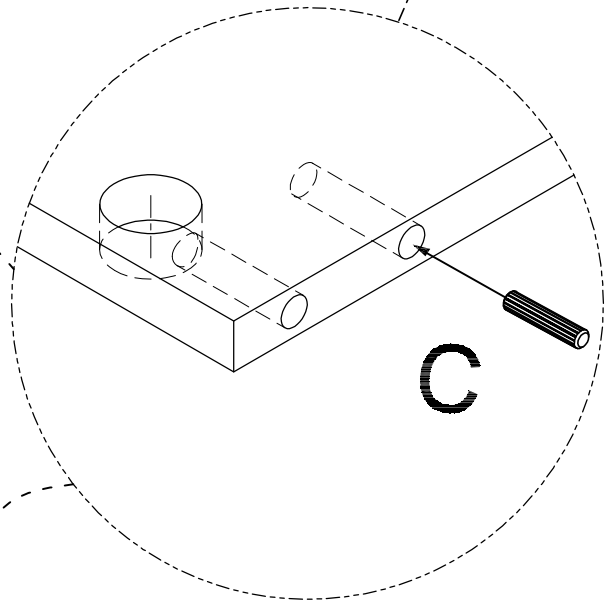
B

Bx2

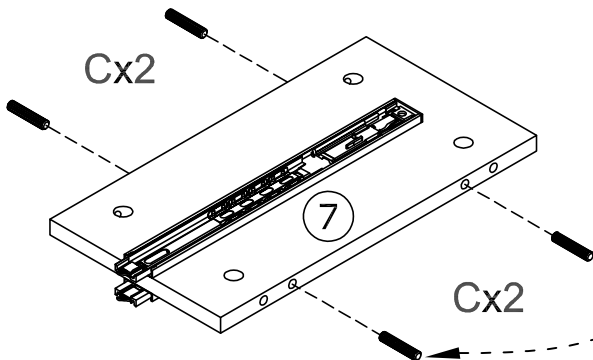


6

Cx2



C



Cx2

7

Cx2

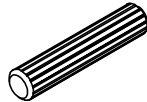
06

B x 4



Ø 7 x 40 mm

C x 8

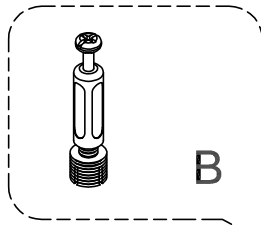


Ø 8 x 40 mm

A x 4

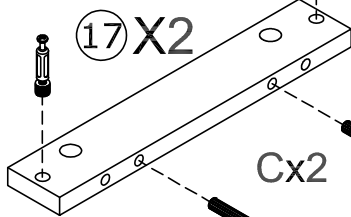


Ø 15 x 9.5 mm



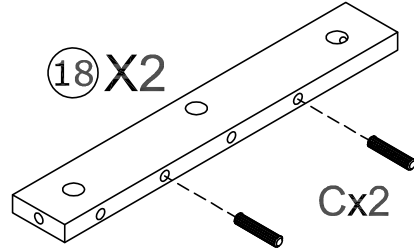
B

Bx2



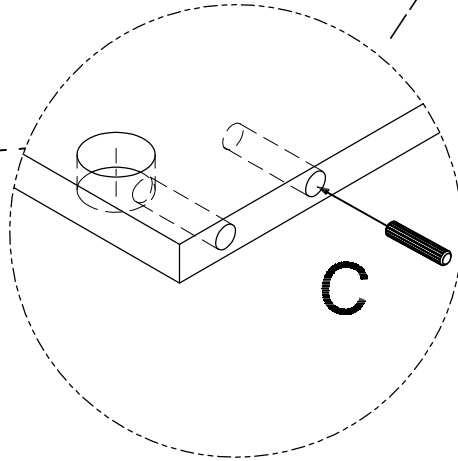
17 X2

Cx2

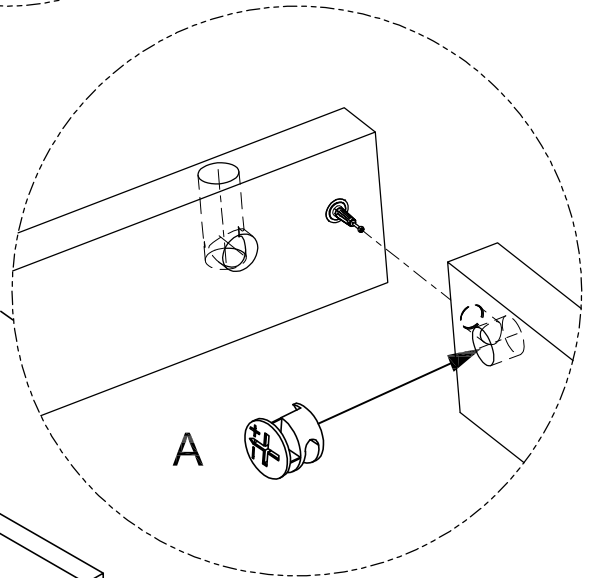


18 X2

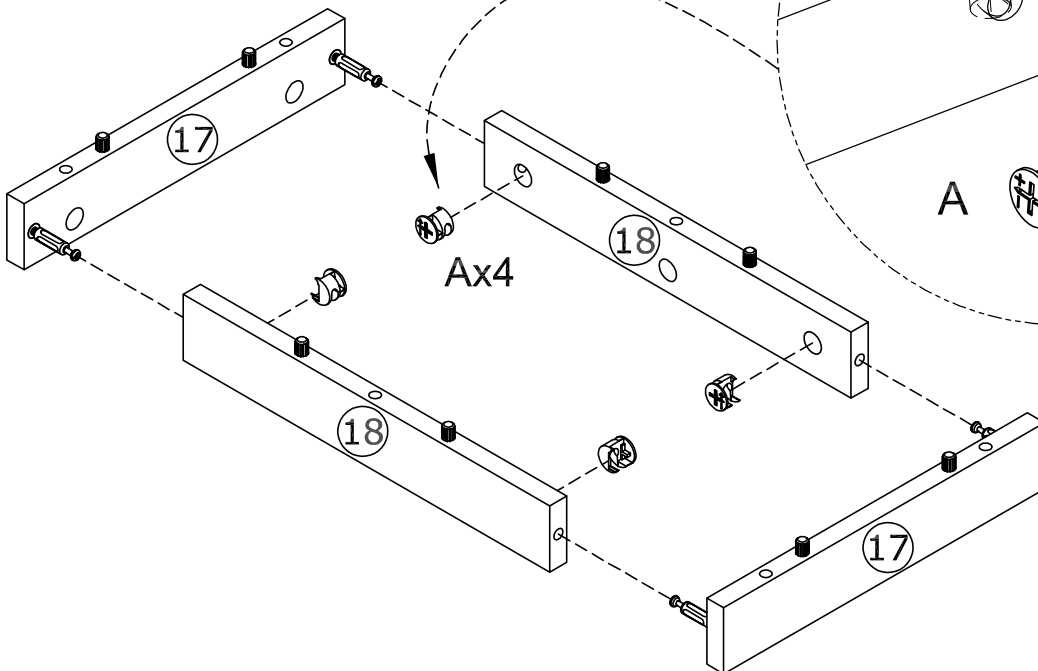
Cx2



C



A



Ax4

17

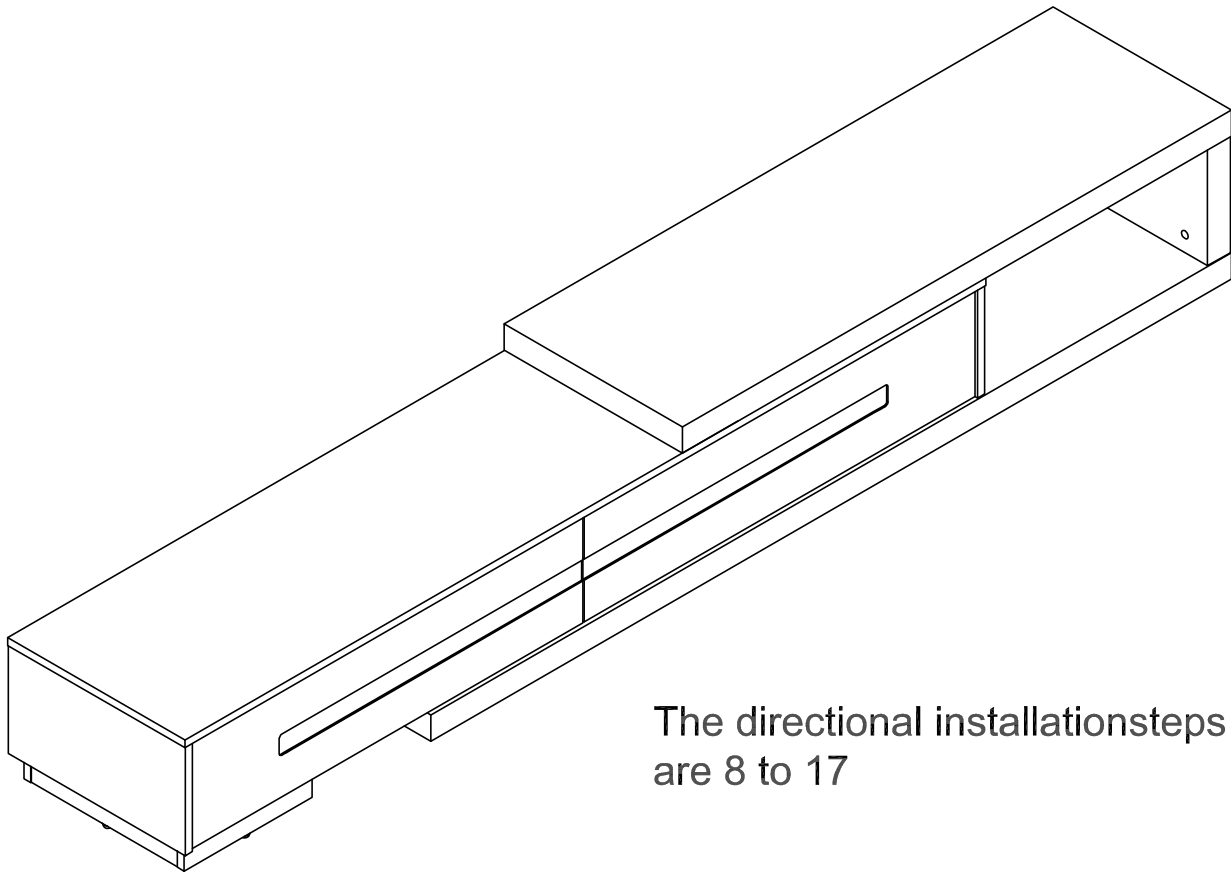
18

18

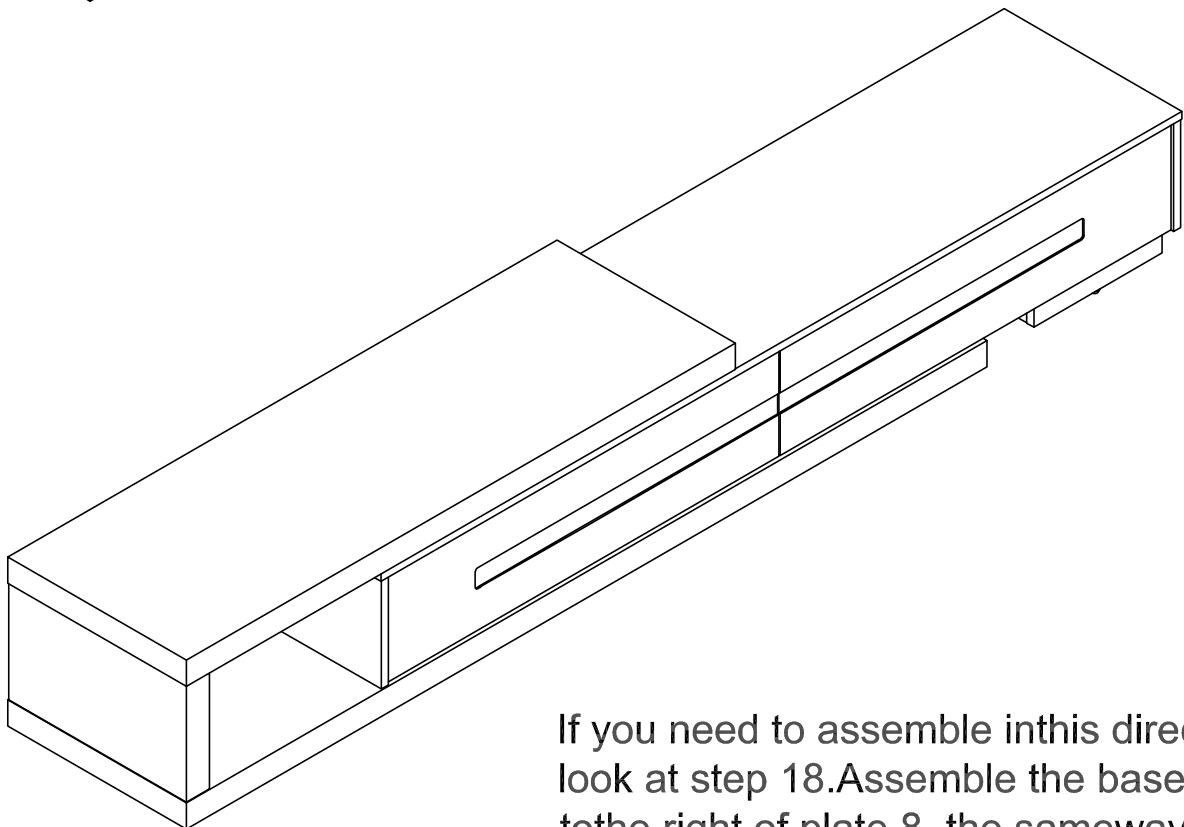
17

**07**

# Two ways to place



The directional installation steps are 8 to 17



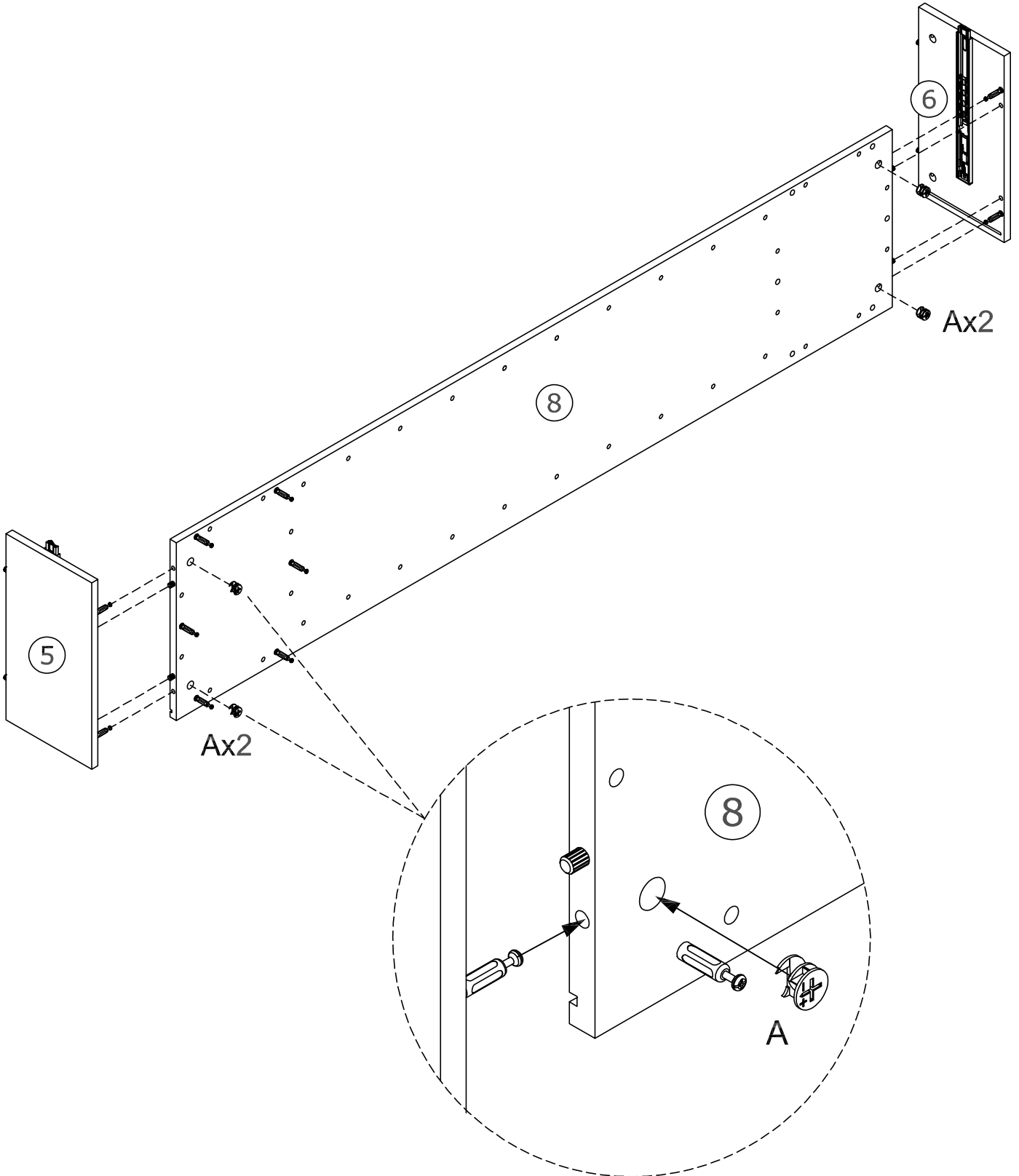
If you need to assemble in this direction, look at step 18. Assemble the baseboard to the right of plate 8, the same way you assembled the rest of the steps

**08**

A x 4



Ø15 x 9.5 mm

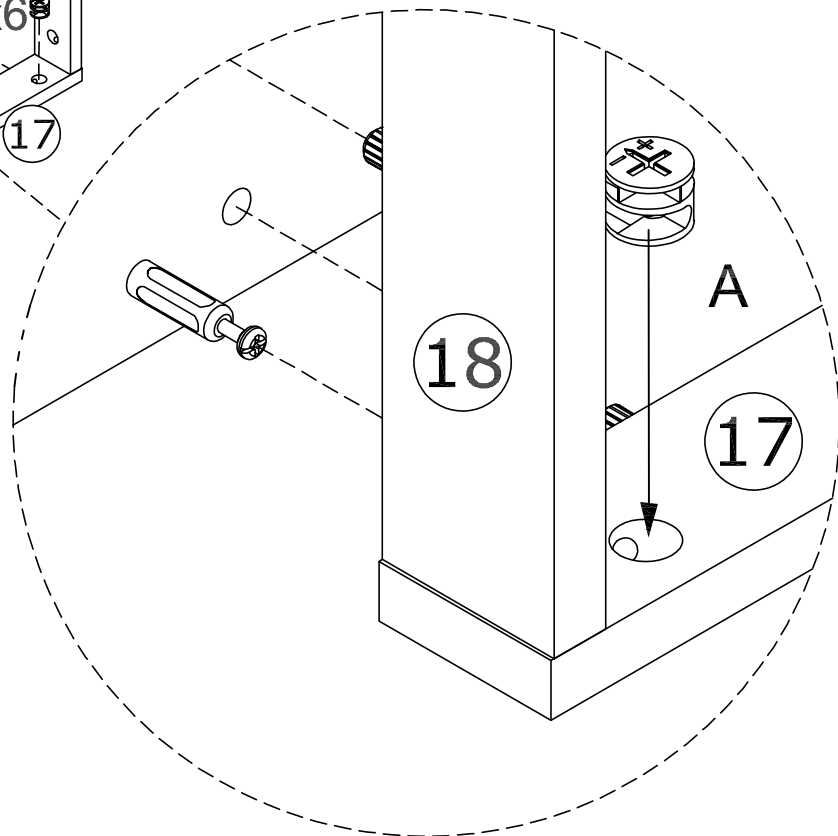
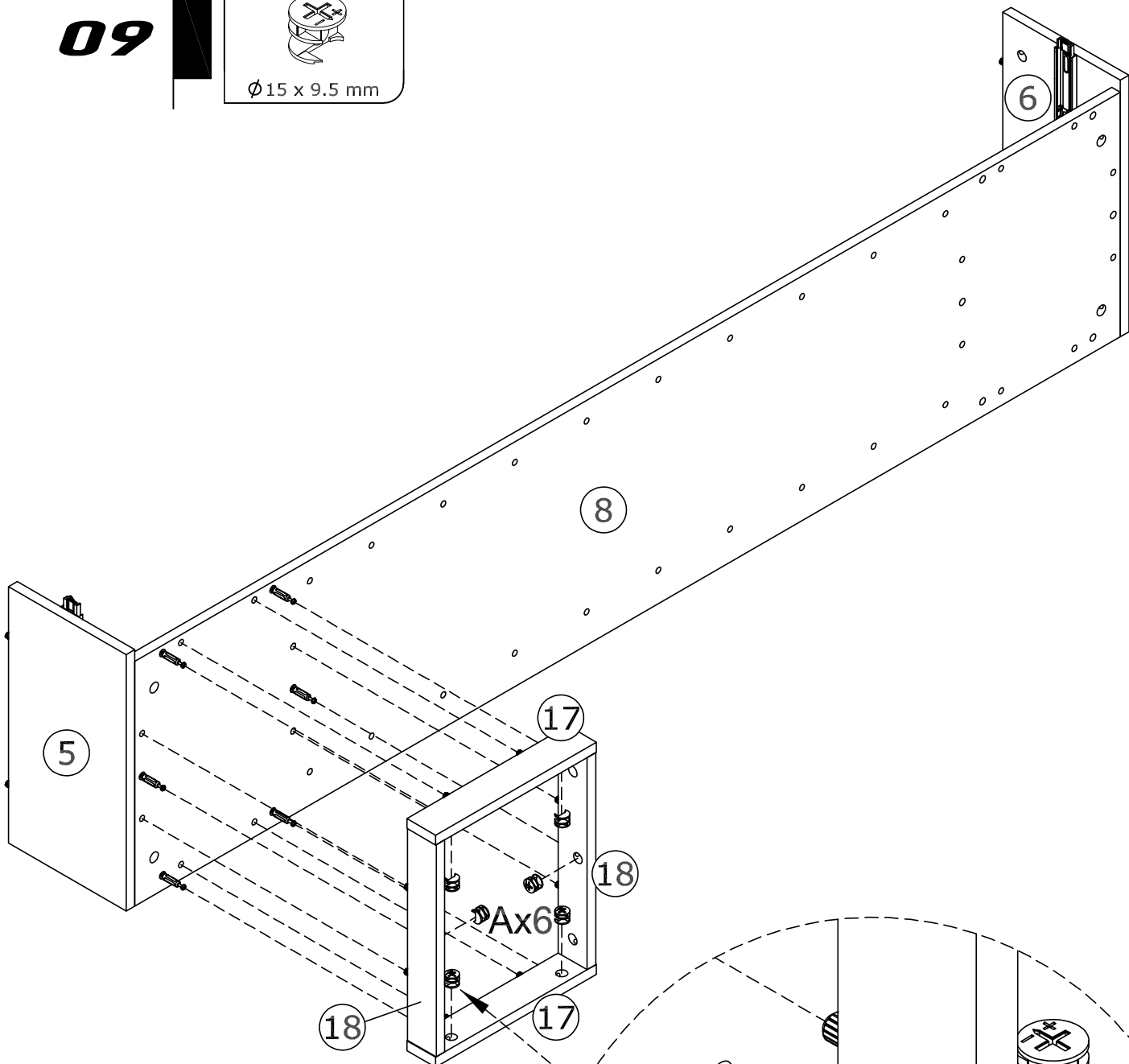


**09**

A x 6

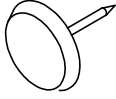


Ø15 x 9.5 mm

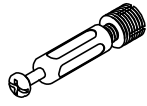


**10**

G x 4

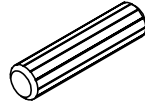


B x 2

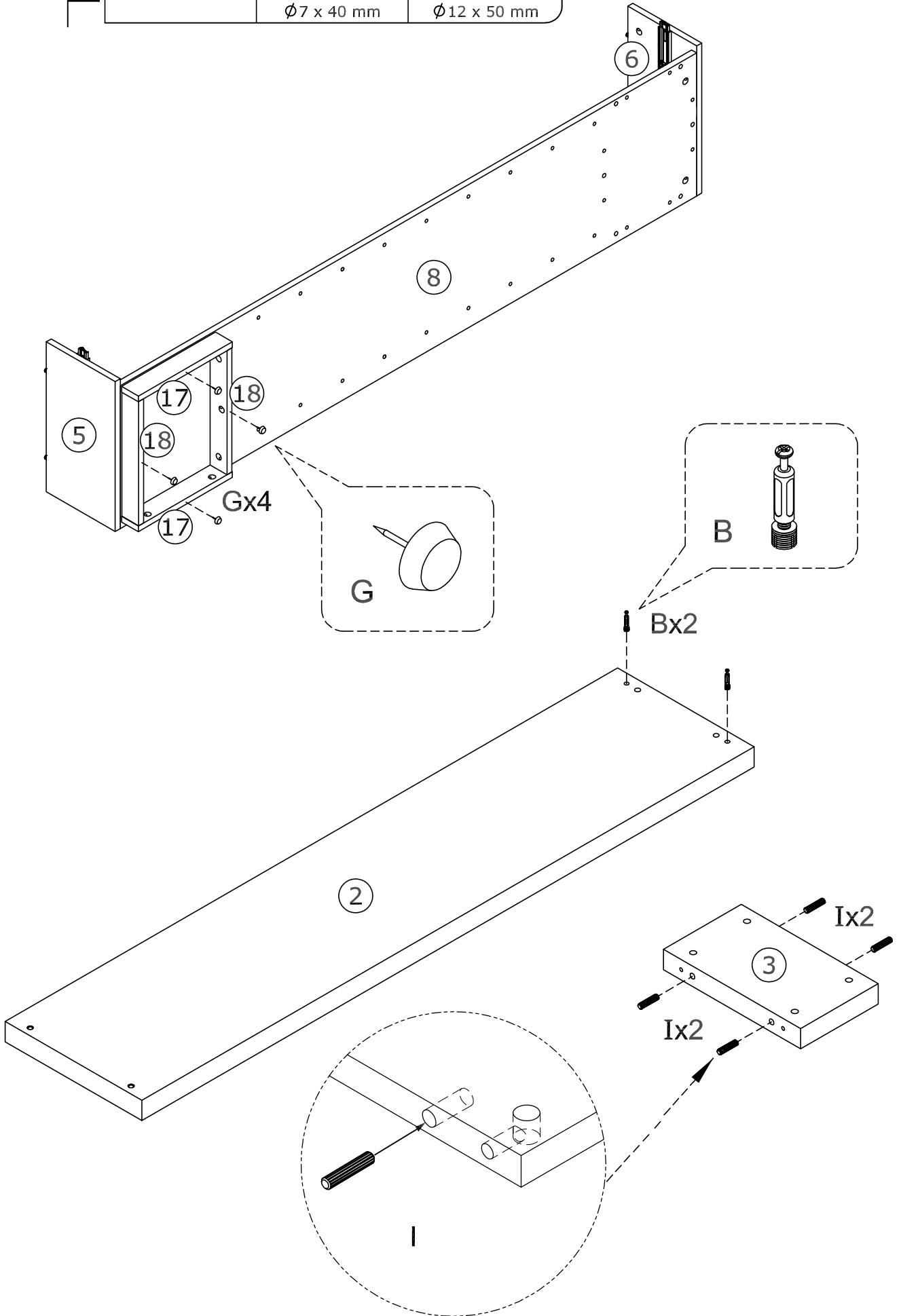


Ø7 x 40 mm

I x 4



Ø12 x 50 mm



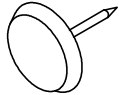
**11**

A x 2



Ø15 x 9.5 mm

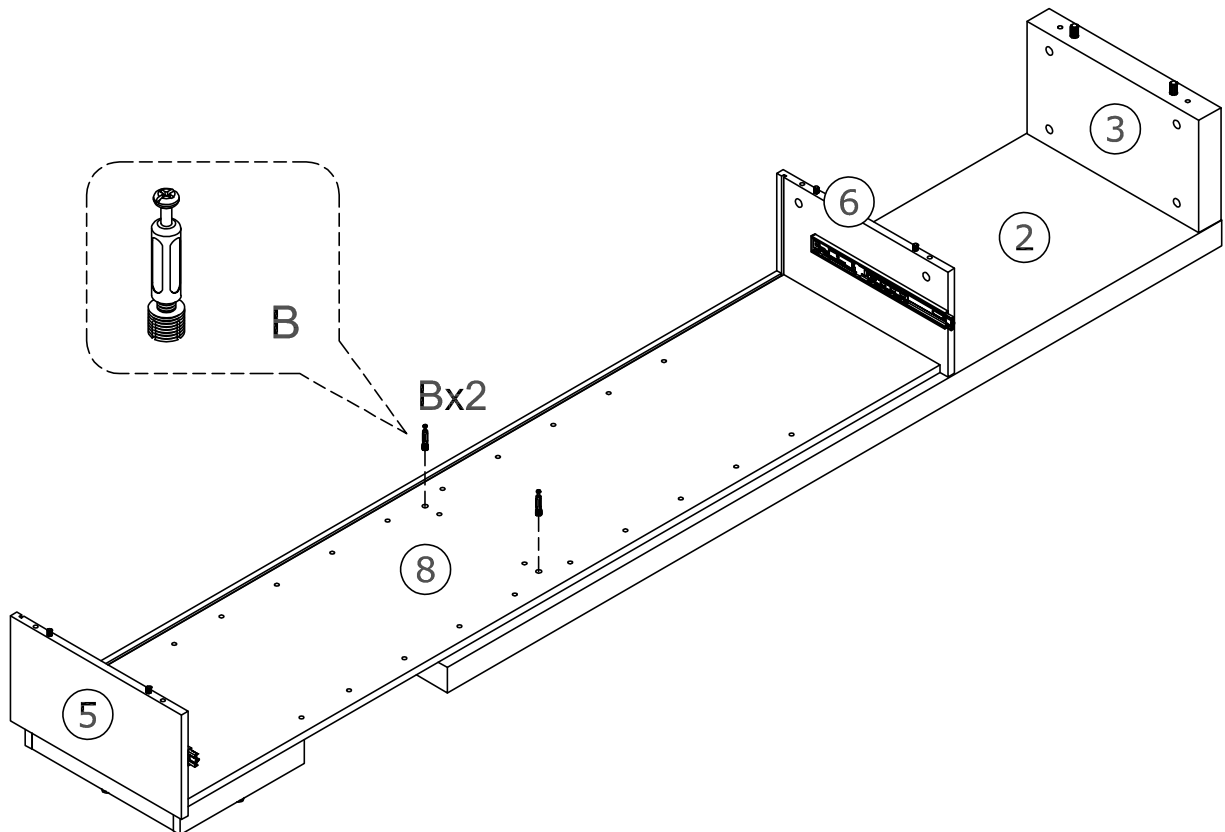
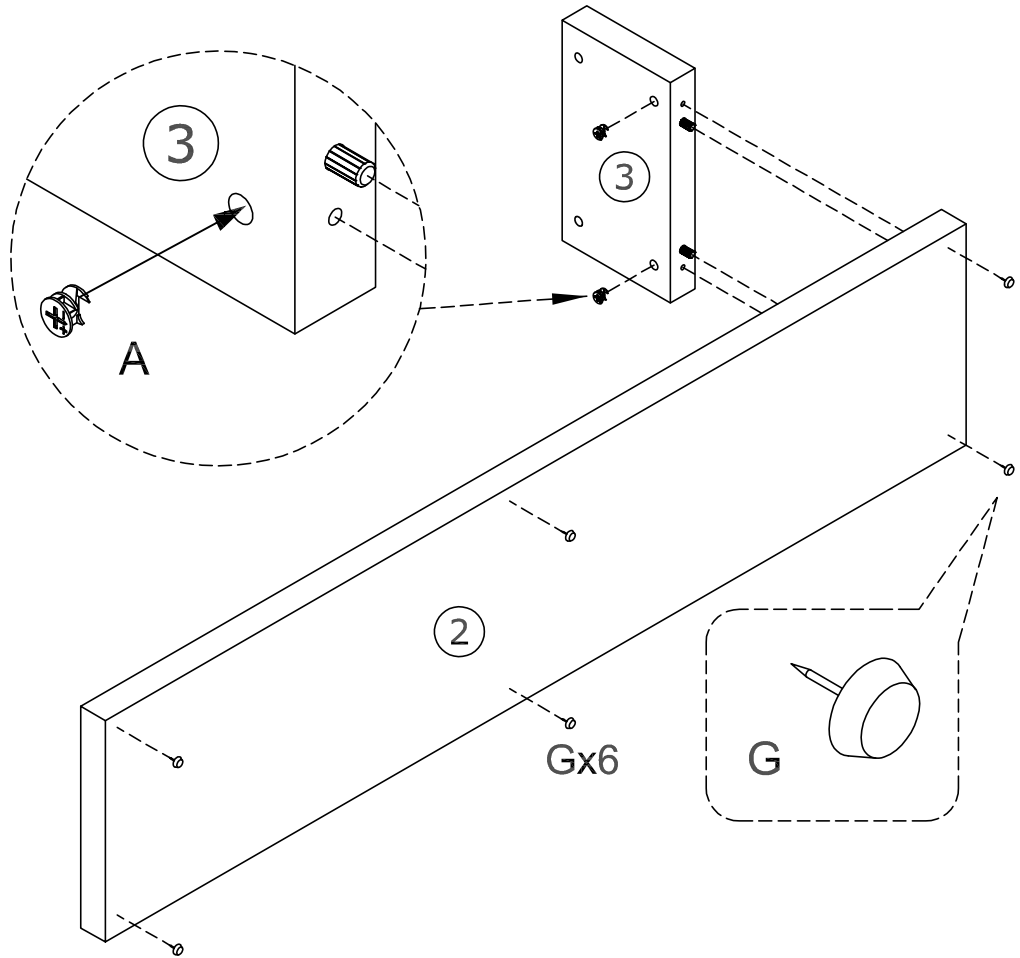
G x 6



B x 2



Ø7 x 40 mm

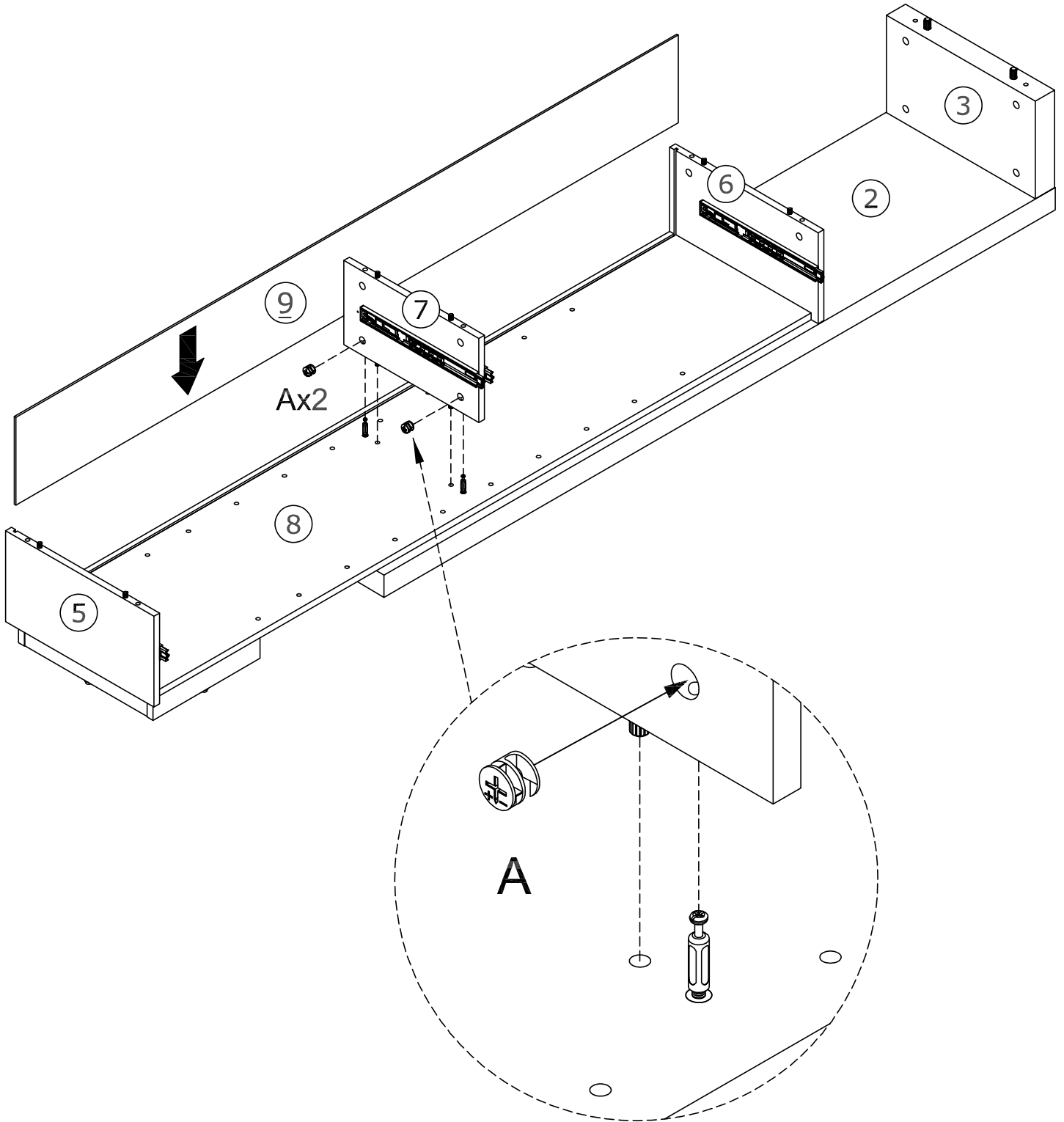


**12**

A x 2

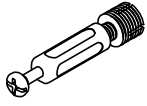


Ø 15 x 9.5 mm



**13**

B x 6

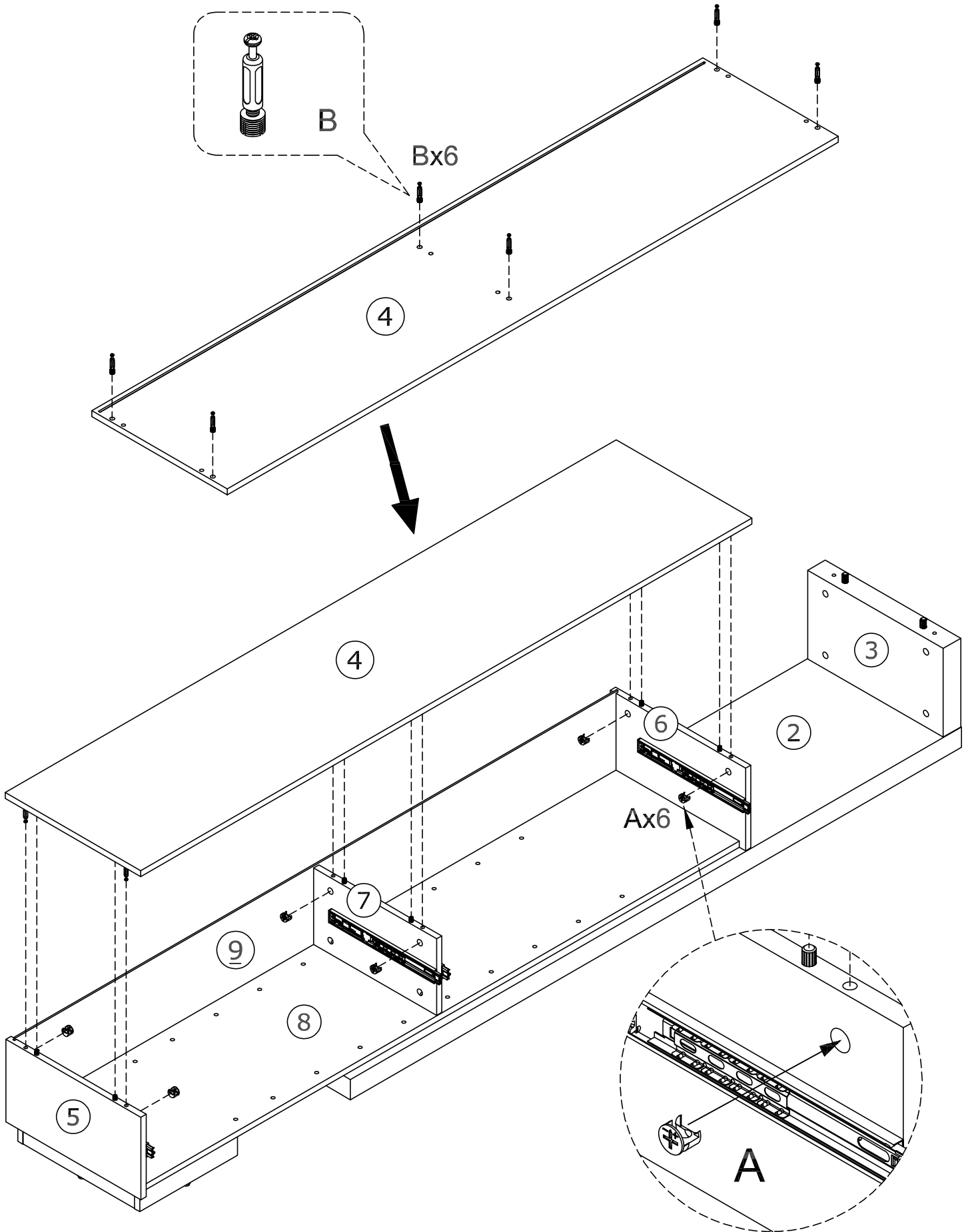


Ø7 x 40 mm

A x 6

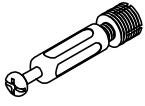


Ø15 x 9.5 mm



14

B x 2

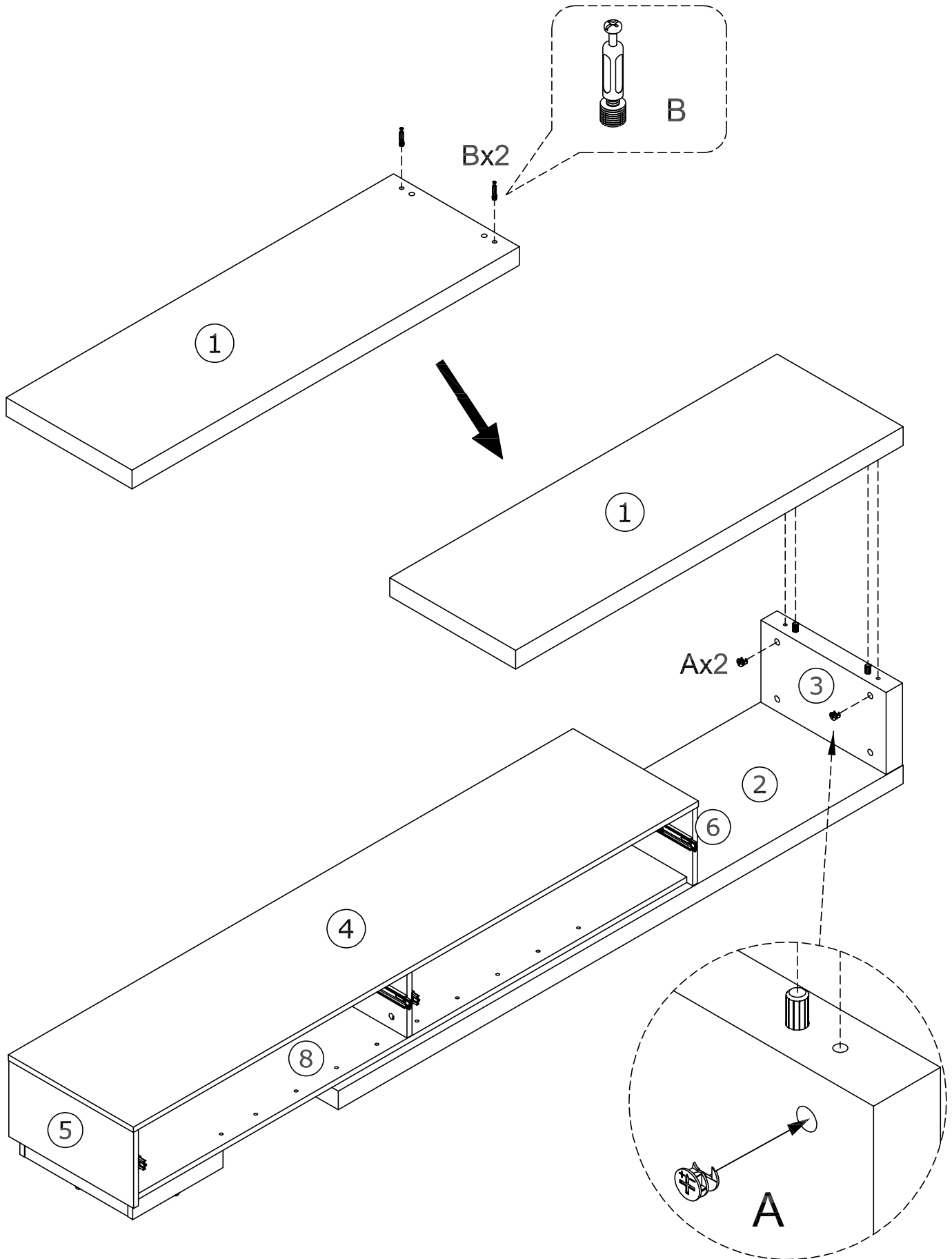


Ø7 x 40 mm

A x 2

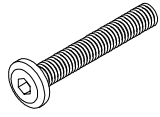


Ø15 x 9.5 mm



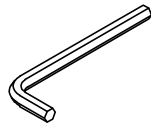
**15**

E x 2

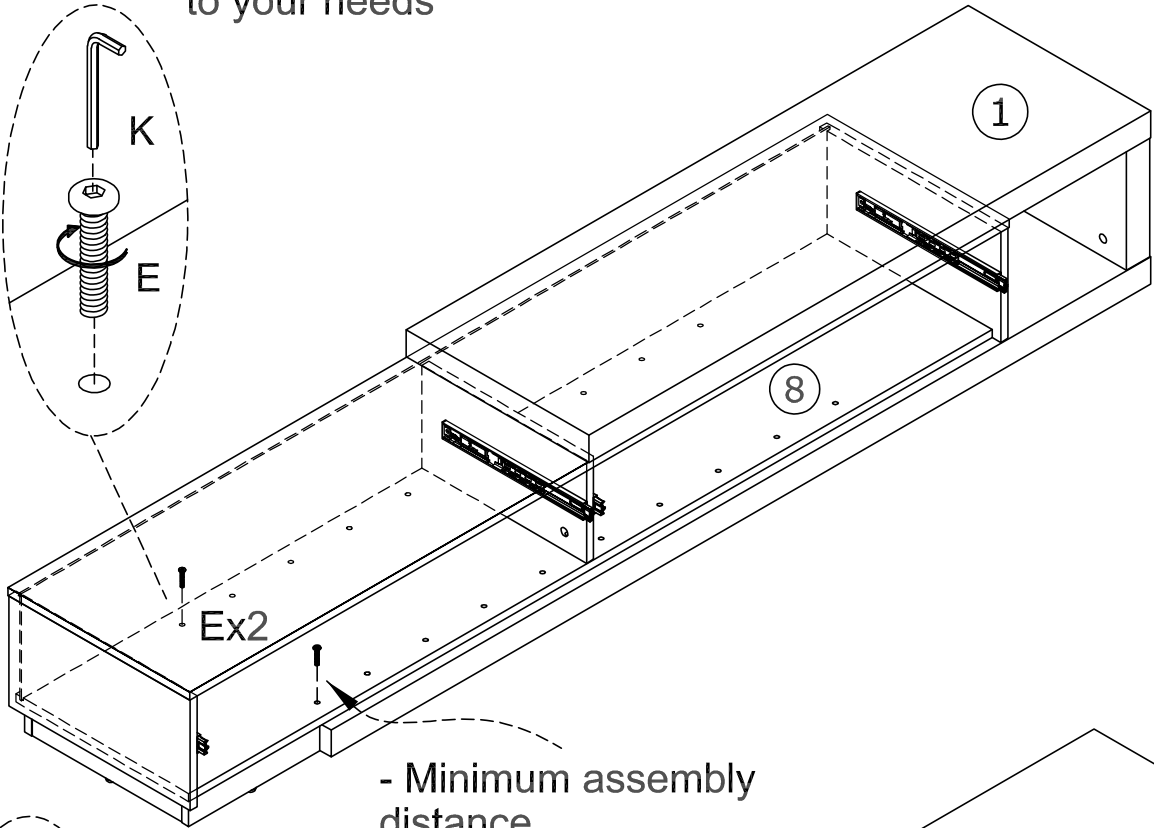
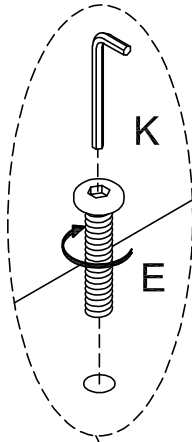


M6 x 30 mm

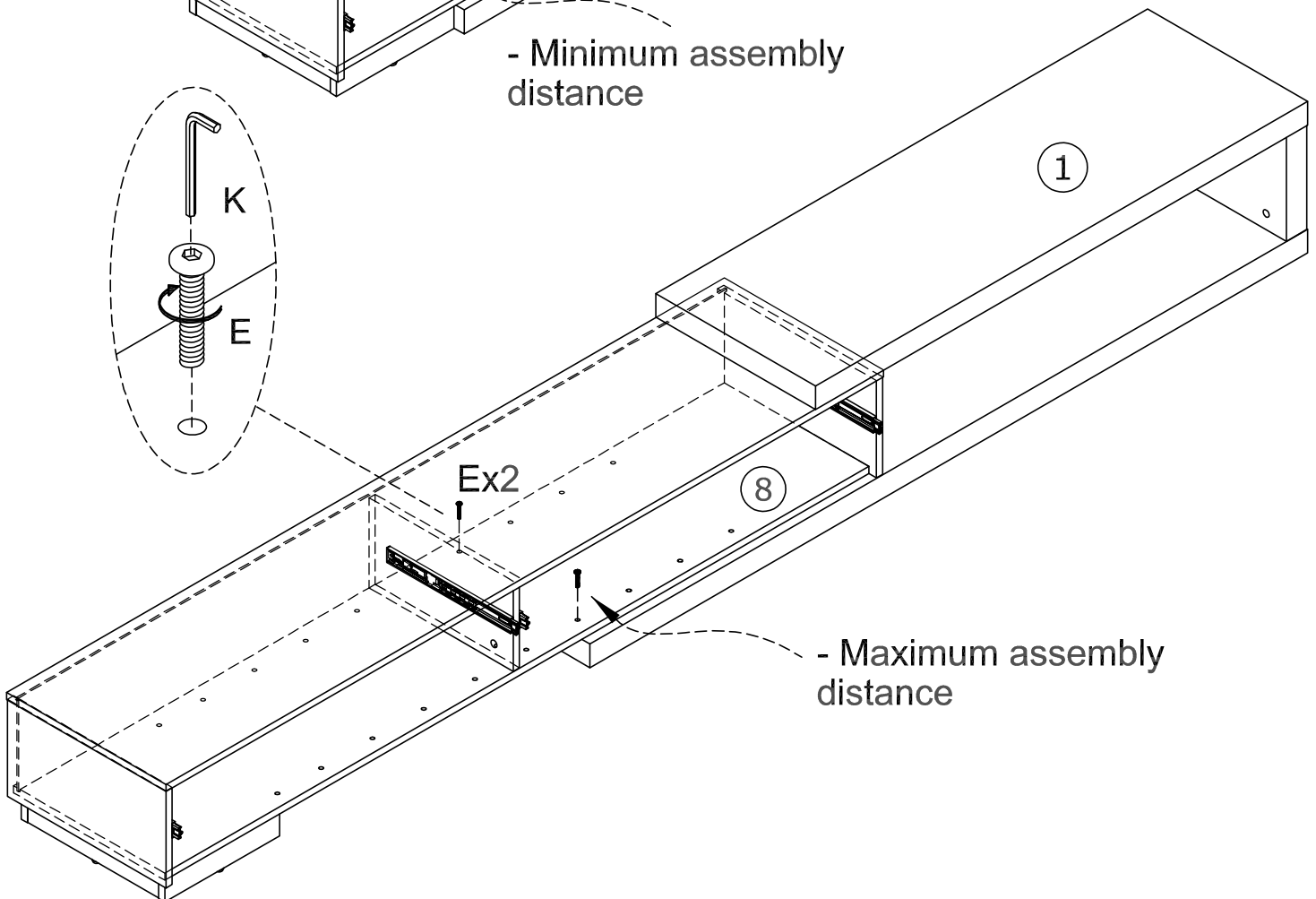
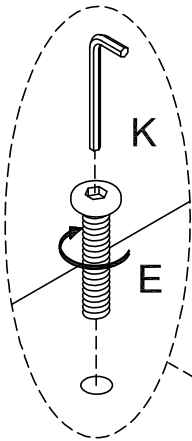
K x 1



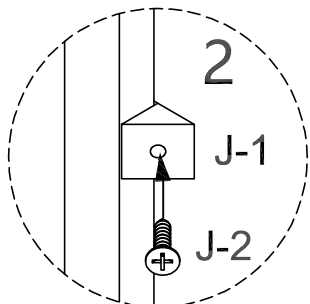
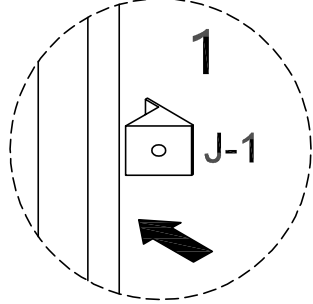
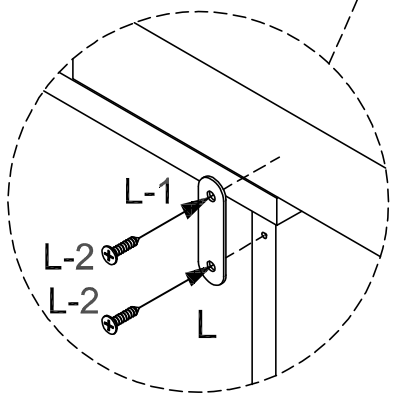
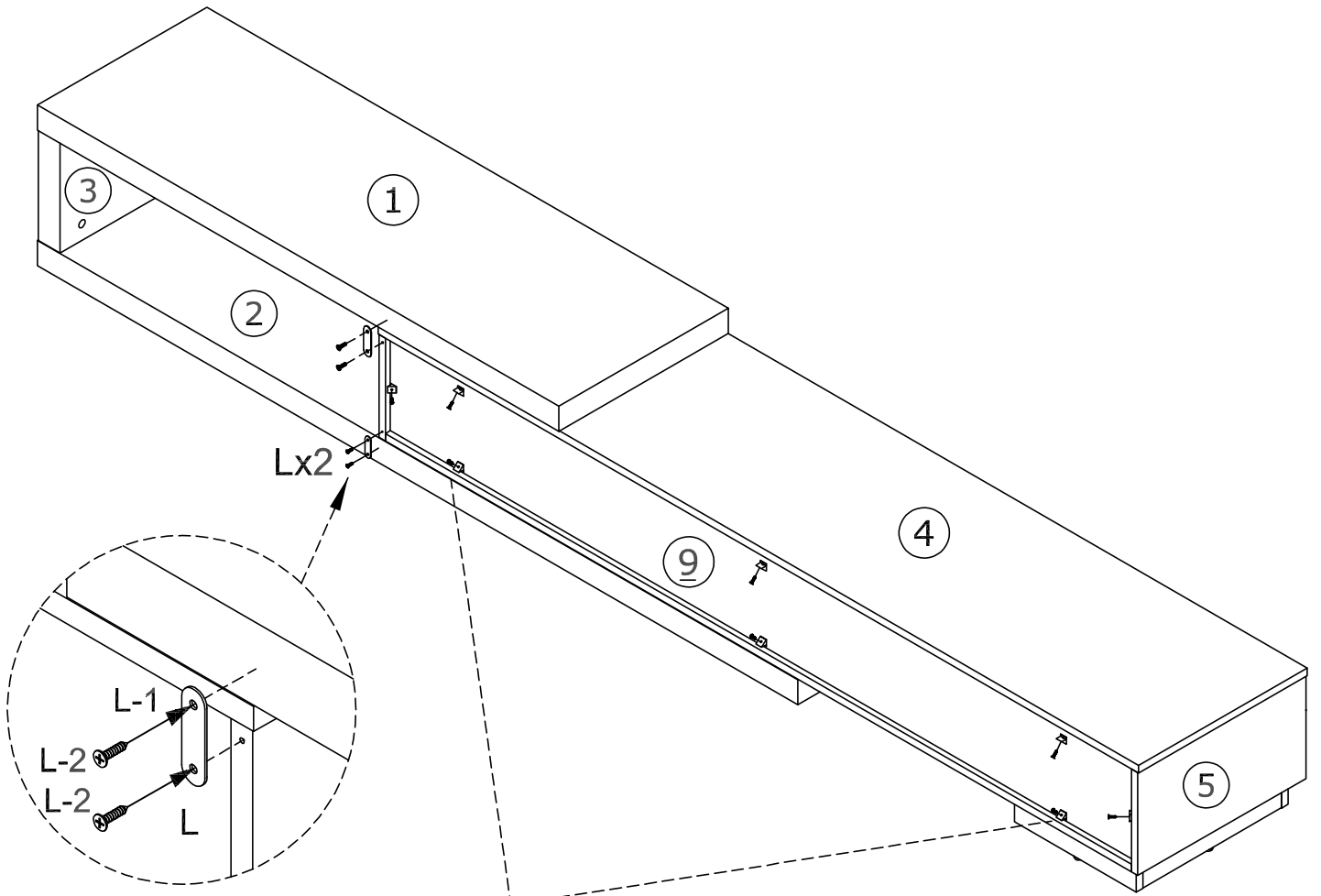
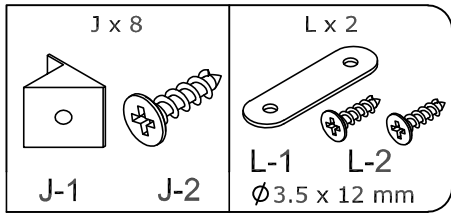
- Choose the holes according to your needs



- Minimum assembly distance

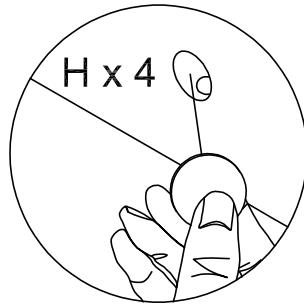
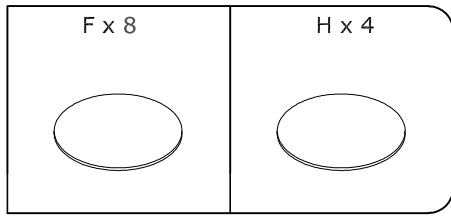


- Maximum assembly distance

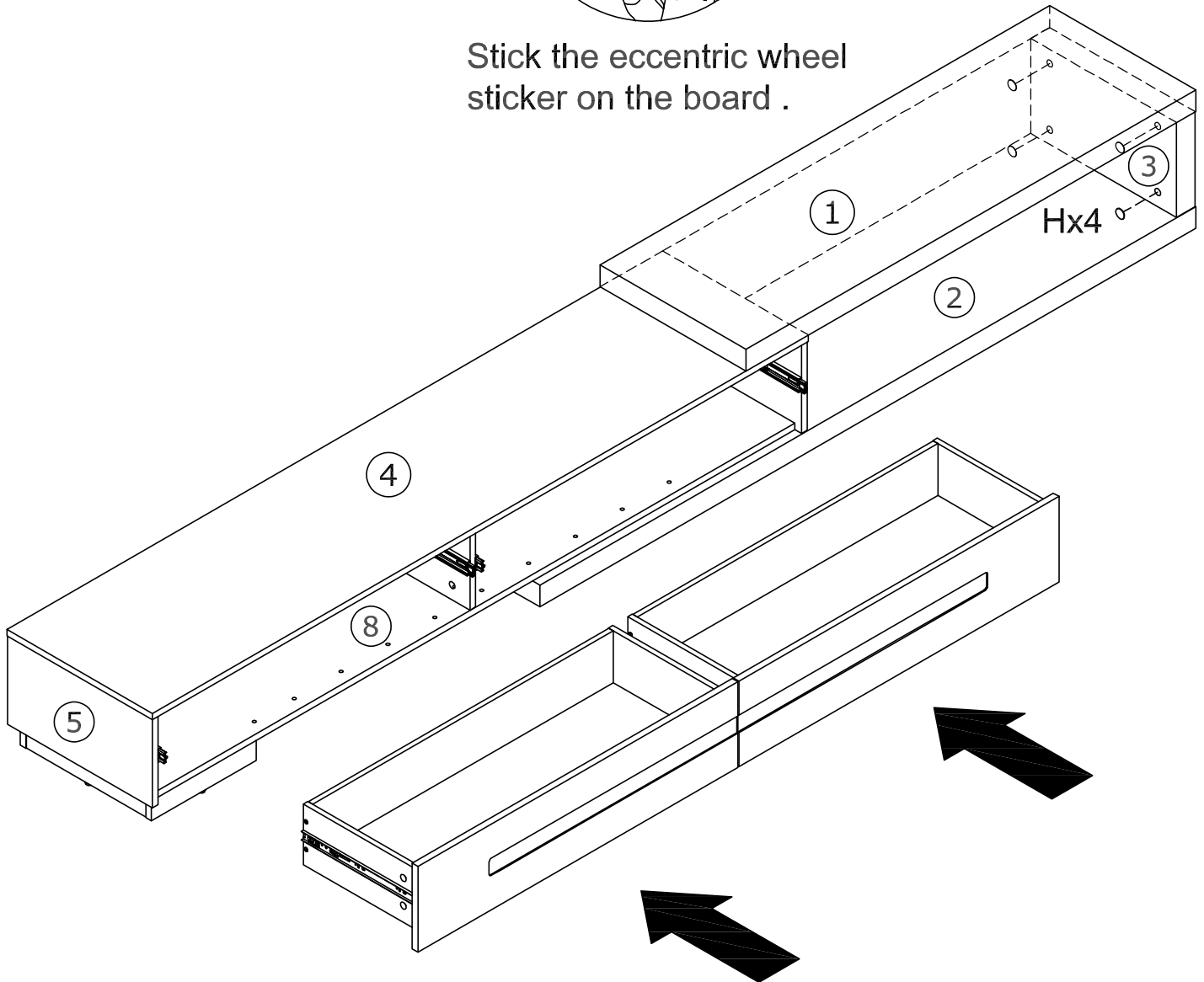


Make sure the diagonal dimensions are the same before installing the back plate buckles

**17**



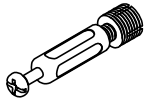
Stick the eccentric wheel sticker on the board .



The three-section rebound track used in the product allows the user to automatically pop open by simply pressing the edge of the drawer with both hands.

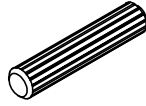
**18**

B x 6



Ø7 x 40 mm

C x 4

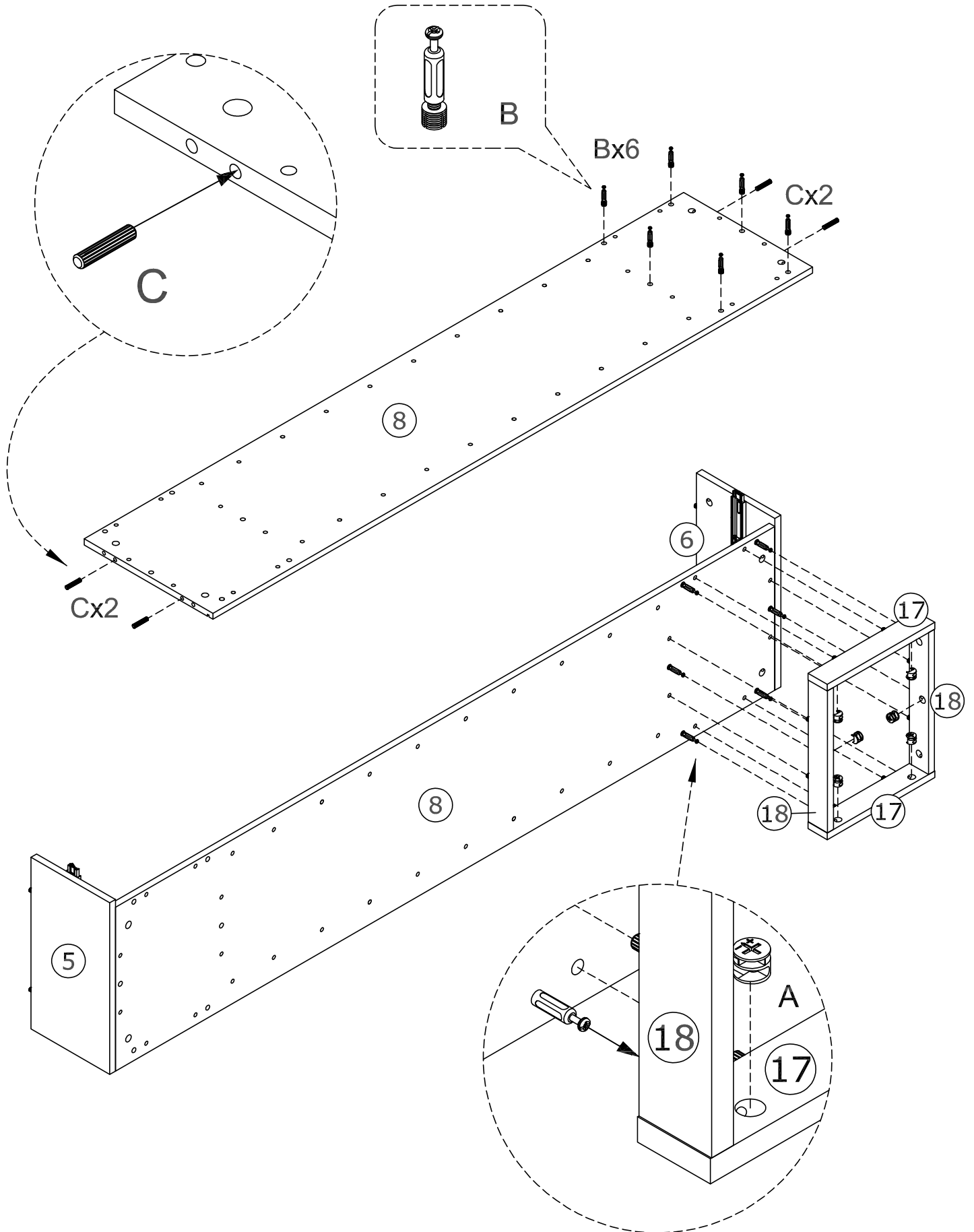


Ø8 x 40 mm

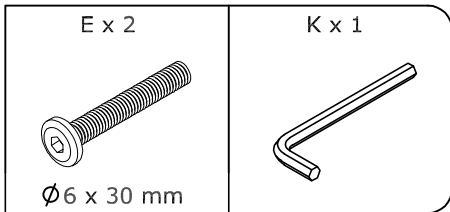
A x 9



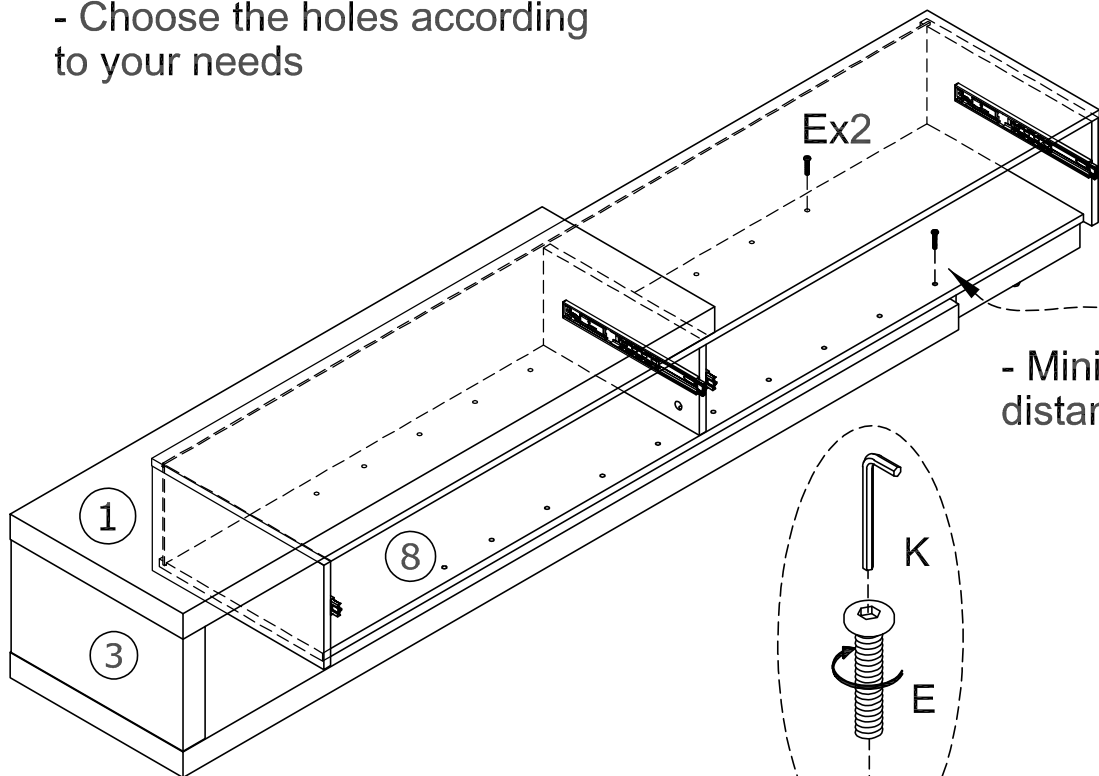
Ø15 x 9.5 mm



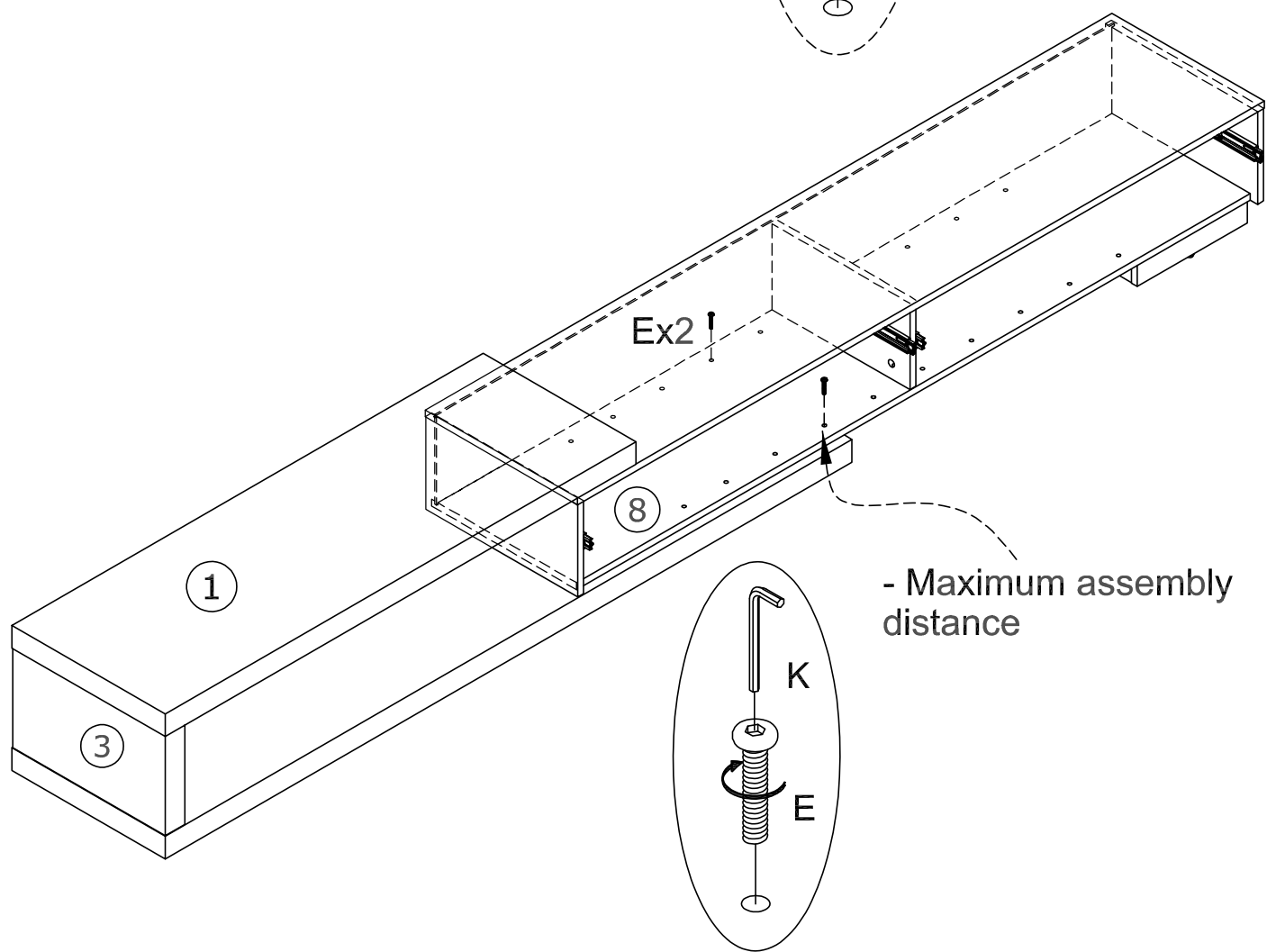
**19**



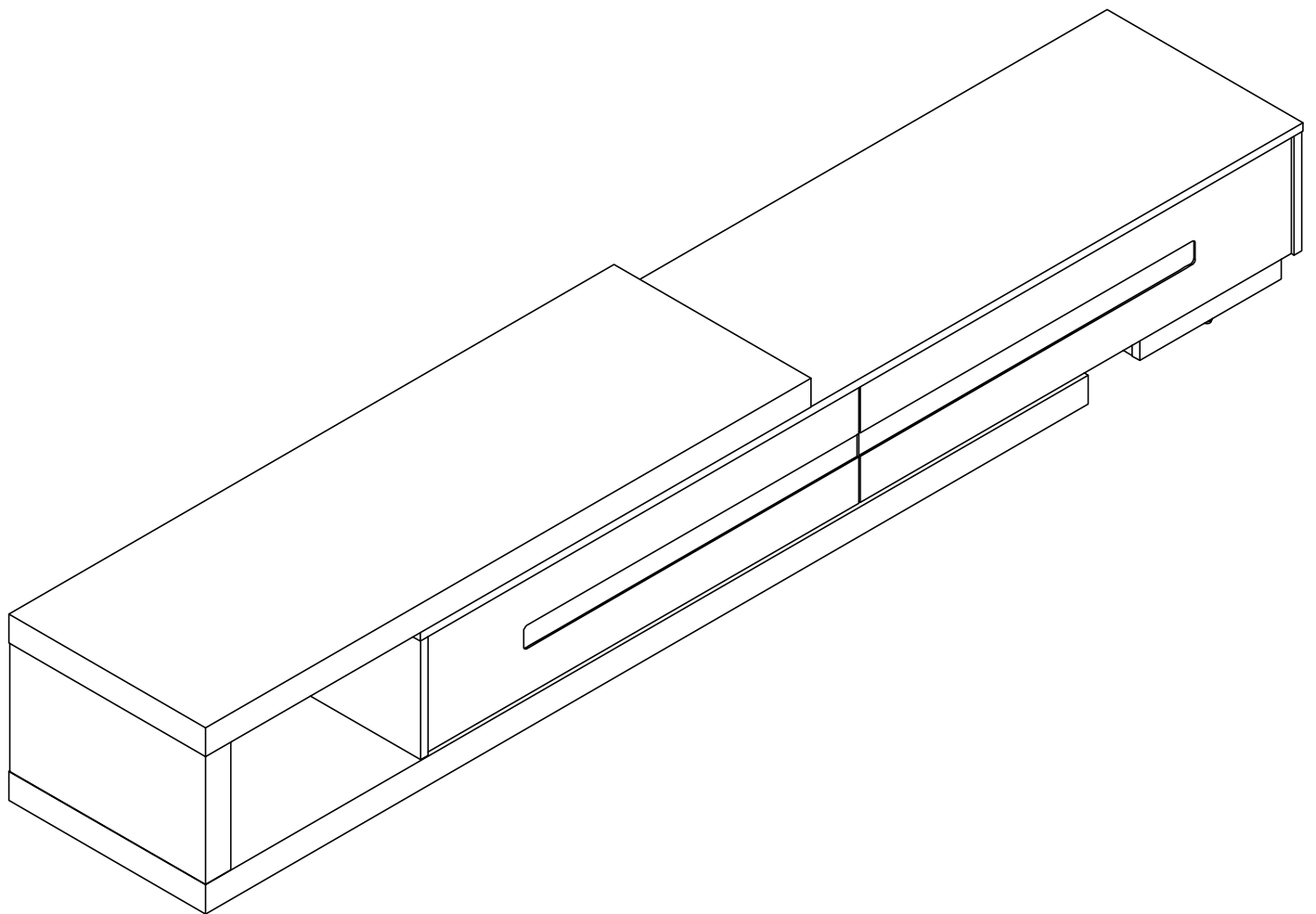
- Choose the holes according to your needs



- Minimum assembly distance



- Maximum assembly distance



**For any issues, please contact:  
[aftersale-wzjj@outlook.com](mailto:aftersale-wzjj@outlook.com)**