

# UNIQUE<sup>®</sup>

APPLIANCES

== *Classic* ==  
by UNIQUE

## BOTTOM MOUNT REFRIGERATOR

**MODEL NUMBERS:** UGP-340L W AC, UGP-340L B AC, UGP-340L T AC, UGP-340L LG AC,  
UGP-340L O AC, UGP-340L Y AC, UGP-340L MB AC, UGP-340L R AC, UGP-340L V AC



**C**  **US**  
**LISTED**  
**SA46158**

### OWNER'S GUIDE

serial number:

AUG24V2

## TABLE OF CONTENTS

Important safety notes .....	3	Cleaning and defrosting .....	15
Grounding instructions .....	5	Maintenance .....	16
Unpacking and cleaning .....	5	Troubleshooting.....	17
Installation .....	6	Recommendations.....	20
Product Features.....	8	Wiring Diagram.....	21
Operation .....	9	Warranty.....	22
Features .....	12	Product registration.....	23
Food Storage.....	13	Contact us.....	23

## WELCOME

**Congratulations!** You have purchased one of the most efficient refrigeration products available on the market today. We are proud of our quality products and we believe in the dependable service we provide.

Before using the appliance, read through this manual carefully including all the information on safety, installation, operation, and cleaning. These guidelines do not cover every possible condition or situation that may occur. Be safe using common sense and caution when installing, operating and cleaning this appliance. If you are unsure about any of these instructions or warnings, contact your local product dealer or Unique Appliances for assistance.

## NEED HELP?

Before you call for service, here are a few things you can do to help us serve you better.

**Read this owner's manual:** It contains instructions to help you use and maintain your appliance properly.

**Visit our website:** Our website [www.UniqueAppliances.com](http://www.UniqueAppliances.com) will give you access to self service tools, FAQs and much more.

**If you receive a damaged appliance:** Immediately contact the retailer that sold you the appliance.

**Save time and money:** Check the troubleshooting section at the end of this manual before calling. This section will help you solve common problems that may occur.

## PROP 65 WARNING

### CALIFORNIA PROPOSITION 65 WARNING



Cancer and Reproductive Harm - [www.P65Warnings.ca.gov](http://www.P65Warnings.ca.gov).

## IMPORTANT SAFETY NOTES

**These warnings are provided in the interest of your safety. Please ensure that you understand them all before installing or using this fridge. Your safety is of paramount importance. If you are unsure about any of these meanings or warnings, contact your local product dealer or Unique Appliances for assistance.**

**IMPORTANT:** After transit where the fridge has been on its side or back, ensure that the fridge is in a level, upright position for 12 hours to allow compressor fluids to redistribute evenly before use.

### PRIOR TO INSTALLATION

At delivery, please check that the fridge is complete and has not been damaged during transport. It is not advised to connect an appliance that has been damaged, especially damage to the electrical supply cable or refrigerant circuit. In the event of damage please contact your local product dealer or Unique Appliances for assistance.

### DANGER

- Risk of fire or explosion. Flammable refrigerant used. Do not puncture refrigerant tubing.
- Ensure that servicing is done by factory authorized service personnel, to minimize product damage or safety issues.
- **WARNING:** Keep ventilation openings, in the appliance enclosure or in the built-in structure, clear of obstruction.
- **WARNING:** Do not use mechanical devices or other means to accelerate the defrosting process, other than those recommended by the manufacturer.
- **WARNING:** Do not use electrical appliances inside the food storage compartments of the appliance, unless they are of the type recommended by the manufacturer.
- **WARNING:** Do not damage the refrigerant circuit.
- **WARNING:** When moving/positioning the appliance, ensure the supply cord is not trapped or damaged.
- **WARNING:** Do not locate multiple portable socket-outlets or portable power supplies at the rear of the appliance.
- **WARNING:** In order to avoid any hazards resulting from the instability of the appliance, it must be positioned in accordance with the instructions.

### CAUTION

- **Risk of fire or explosion - Flammable refrigerant used.** This appliance uses isobutane (R600a) refrigerant, a natural gas with a high level of environmental compatibility. As this refrigerant is flammable, take care to ensure that none of the components of the refrigerant circuit are damaged during transportation and installation.

If the refrigerant circuit is damaged:

- Avoid open flames and sources of ignition
- Thoroughly ventilate the room where the appliance is situated.
- While moving/positioning the appliance, do not damage the cooler gas circuit.
- Consult repair manual or owner's guide before attempting to service this product. All safety precautions must be followed. Service the fridge/freezer only if you are a trained or authorized refrigeration technician.
- Dispose of properly in accordance with federal or local regulations.
- Follow handling instructions carefully.

## IMPORTANT SAFETY NOTES

### IMPORTANT

- Run the fridge for at least 4 hours empty before adding food to allow the interior to cool down properly.
- This fridge is designed for domestic use only! It is intended for the storage of edible/consumable food and drinks. It is not intended for commercial or industrial use.
- Never use excessive force on the handle to open the door.
- If the room/ambient temperature approaches the fridge's operating temperature, the fridge may not function correctly. If the room/ambient temperature exceeds 100°F (38°C) the fridge may not function correctly.
- **This appliance is not intended for use at altitudes exceeding 2000 m/6561 ft.**

### CHILD SAFETY

Do not allow children to play in, on or around the fridge. It is not a toy. **THERE IS A DANGER OF SUFFOCATION IF A CHILD BECOMES TRAPPED INSIDE.** When the appliance is not in use, secure or remove the doors to prevent children from playing inside the cabinets.

### DANGER

- Risk of child entrapment. Before throwing away an old appliance:
- Remove the door or lid.
- Leave shelves in place so that children may not easily climb inside.
- Children should not use, clean and/or maintain the appliance without supervision.

**DANGER OF SUFFOCATION:** Keep children away from all packaging material.

**This appliance is not intended for use by persons (including children) whose physical, sensory or mental capabilities may be different or reduced, or who lack experience or knowledge, unless such persons receive supervision or training to operate the appliance by a person responsible for their safety.**

### DISPOSING OF THE APPLIANCE

**WARNING: The refrigeration system is under high pressure. Do not tamper with it. Contact qualified service personnel before disposal.**

When disposing of your fridge, use an authorized disposal site. The refrigerant must be completely drained and collected by an authorized technician for recycling prior to disposal. Check with your local Environmental Agency for recommendations on recycling this appliance in your area. Before disposal remove the electrical connection wiring and also ensure that the doors are removed to prevent children from being trapped inside - **DANGER OF SUFFOCATION!**

This marking indicates that this product should not be disposed with other household wastes throughout North America. To prevent possible harm to the environment or human health from uncontrolled waste disposal, recycle it responsibly to promote the sustainable reuse of material resources.



## GROUNDING INSTRUCTIONS

**This appliance must be grounded. Grounding reduces the risk of electrical shock by providing an escape wire for the electrical current.**

The appliance has a cord that has a grounding wire and a 3-prong plug. The power cord must be plugged into an outlet that is properly grounded. If the outlet is a 2-prong wall outlet, it must be replaced with a properly grounded 3-prong wall outlet. The serial rating plate indicates the voltage and frequency the appliance is designed for.

- Before connecting your appliance, ensure that the information on the data plate (voltage and connected load) matches that of the main electricity supply. If in doubt, consult a qualified electrician.
- Insert the plug into a socket with an efficient ground connection. If the socket has no ground contact or the plug does not match, we recommend you consult a qualified electrician for assistance.
- The appliance must be connected with a properly installed fused socket. The power supply (AC) and voltage at the operating point must match with the details on the name plate of the appliance (the name plate is located on the inside of the appliance).
- We do not accept responsibility for any damages that occur due to ungrounded usage.
- Installation work and adjustments on the appliance must be carried out by qualified personnel only. Work performed by persons with inadequate technical knowledge may adversely effect the performance of the appliance, causing damage to the equipment, and void the warranty.
- It is dangerous to make alterations or attempt to modify this product in any way. Product alterations will void the warranty.

**WARNING** - Improper use of the grounding plug can result in a risk of electric shock. Consult a qualified electrician or service agent if the grounding instructions are not completely understood, or if doubt exists as to whether the appliance is properly grounded. Do not connect your appliance to extension cords or together with another appliance in the same wall outlet. Do not splice the power cord. Do not under any circumstances cut or remove the third ground prong from the power cord. Do not use extension cords or ungrounded (two prongs) adapters.

If the power supply cord is damaged, it must be replaced by the manufacturer, its service agent or similar qualified person in order to avoid hazard.

## UNPACKING AND CLEANING

**IMPORTANT:** After transit where the fridge has been on its side or back, ensure that the fridge is in a level, upright position for 12 hours before connecting the appliance to a power source, this will reduce the possibility of a malfunction in the cooling system from handling during transportation.

### UNPACKING AND CLEANING

Remove all packaging and securing tapes from the appliance. To avoid injury and causing damage to the appliance, be extremely cautious when using sharp or pointed tools to complete this task. Keep children away from the packaging material - **DANGER OF SUFFOCATION!** Wash the inside and outside of the appliance with luke warm water and a mild soap or detergent. Abrasive or corrosive cleaning agents, steel wool, scouring sponges, or chemical cleaning agents should not be used under any circumstances. A sponge, soft brush or towel is recommended. After cleaning, thoroughly rinse and dry. You may want to leave the doors open allowing the compartments to ventilate for 20-30 minutes to get rid of residual odors. Check with your local Environmental Agency for recommendations on recycling packaging materials in your area.

# INSTALLATION INSTRUCTIONS

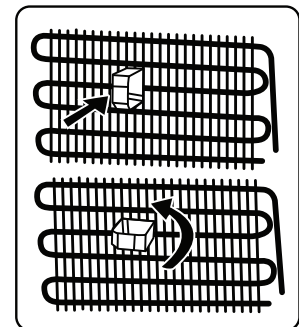
## POSITIONING THE APPLIANCE

The area in which the fridge is to be installed must be relatively cool, dry, and suitably ventilated. The area must be protected against any inclement weather (rain, snow) and excessive surface dust. To ensure proper function, the appliance must be placed on a flat, firm, and stable surface resting level on all four supports. The floor must be strong enough to support a fully loaded cabinet. Use wood or metal shims to level the fridge if necessary. Do not place the appliance in direct sunlight or near sources of heat, such as a stove or heater, as this can increase electrical consumption. Extreme cold ambient temperatures may also cause the appliance to perform improperly.

Do not place the fridge close to heat sources (heater, stove, boiler, chimney, etc.), and avoid prolonged exposure to direct sunlight. This appliance uses the exterior walls to transfer heat from the inside of the cabinet. Ensure that there is adequate space between the fridge and neighboring walls or large objects. **IMPORTANT: The refrigerator should be placed against a wall with a free distance not exceeding 3"/76 mm.** This will provide sufficient airflow around the appliance resulting in more efficient operation and longer appliance lifetime. Always keep the air vent openings of the compressor housing cover free from dust and obstructions. This appliance is intended for free-standing installation only and is not intended to be built into a cabinet or counter.

## INSTALLATION

- This appliance is heavy. Care should be taken when moving it.
- Be sure that the appliance does not stand on the electrical supply cable. Also, be sure the electrical cable is not squeezed or bent when the appliance is being installed or moved.
- Do not install the appliance near water, for example in a wet basement or near a sink.
- Position the appliance where it will not be exposed to direct sunlight.
- The appliance must never be used outdoors or exposed to rain or snow.
- Position the appliance at least 20"/51 cm away from stoves, gas ovens and heater cores, and at least 2"/5 cm away from electrical ovens.
- If your appliance is placed next to a deep freezer, there must be a least 1"/2.5 cm to prevent humidity forming on the outer surface.
- Use the adjustable front legs to make sure your appliance is level and stable. You can adjust the legs by turning them in either direction. This must be done before placing food in the appliance.
- Install the plastic distance guide (included) on the condenser at the back of the appliance by turning it 90° (as shown in the figure) to prevent the condenser from touching the wall.



# INSTALLATION INSTRUCTIONS

## IMPORTANT

- This appliance is intended for household use only. It is not designed for outside installation, including anywhere that is not temperature controlled (garages, porches, vehicles, etc.)
- Do not store any containers with flammable vapors or liquids in or around the appliance, such as organic solvents, spray cans, gas cans, etc. Danger of explosion!
- Do not connect your appliance to the main electricity supply using an extension cord or plug adapter.
- Do not use damaged, torn or old plugs.
- Do not pull, bend, or damage the cord.
- Never touch the power cord/plug with wet hands. This may cause a short circuit or electric shock.
- Do not place glass bottles or cans in the ice-making compartment as they will burst when the contents freeze.
- Do not place explosive or flammable material in your fridge. Place drinks with high alcohol content vertically in the fridge compartment and make sure their tops are tightly closed.
- When removing ice from the ice-making compartment, do not touch it. Ice may cause frost burns and/or cuts.
- Do not touch frozen goods with wet hands. Do not eat ice-cream or ice cubes immediately after they are removed from the ice-making compartment.
- Do not re-freeze thawed frozen food. This may cause health issues such as food poisoning.

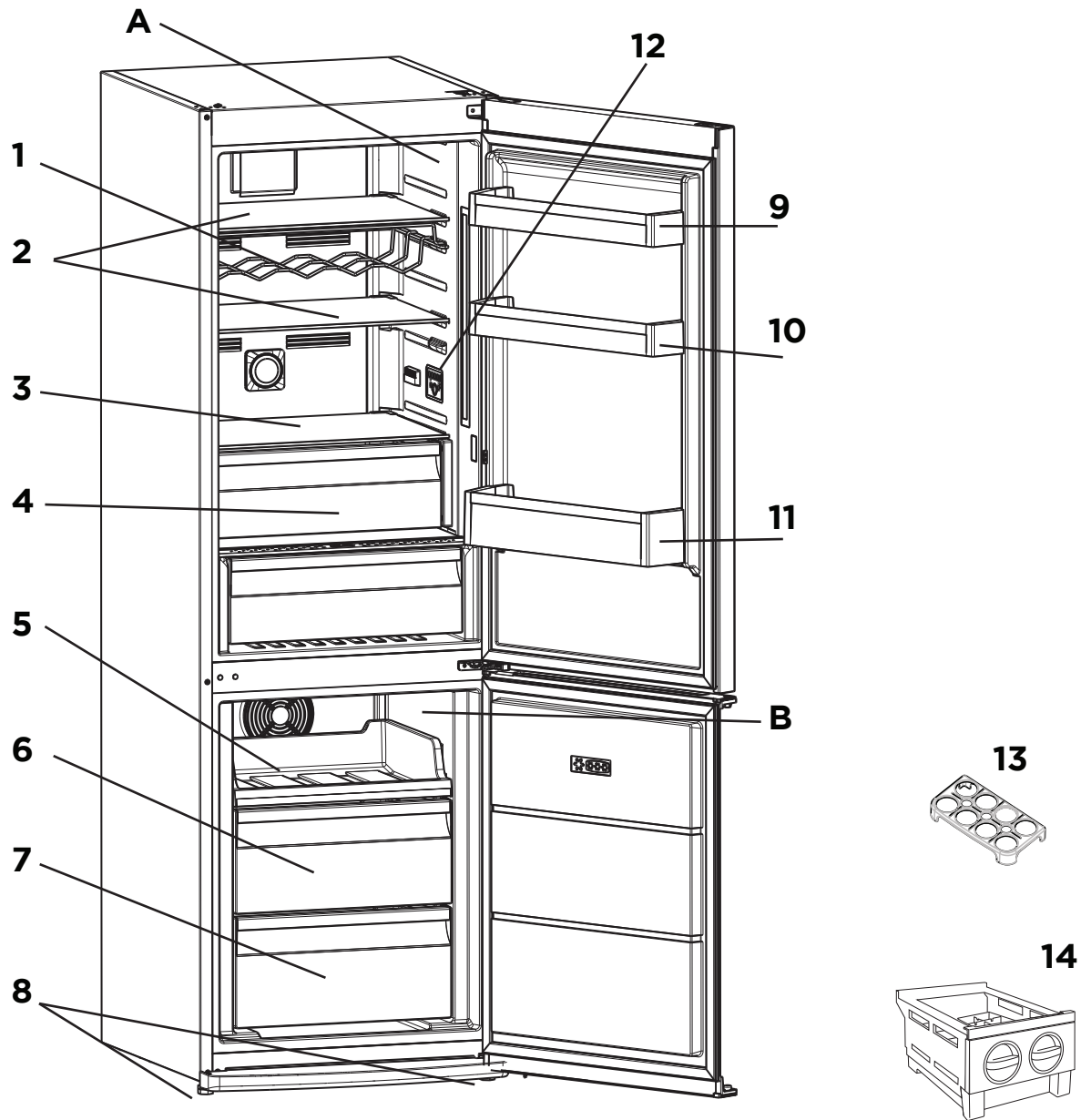
## CLEANING

- Before cleaning your appliance always disconnect it from the electrical power supply.
- Allow inside of fridge/freezer to fully thaw, then wash the inside and outside of the appliance with luke warm water and a mild soap or detergent. Abrasive or corrosive cleaning agents, steel wool, scouring sponges, or chemical cleaning agents should not be used under any circumstances.

## SERVICING

- This product should be serviced by an authorized technician and only genuine spare parts should be used.
- Under no circumstances should you attempt to repair the appliance yourself unless advised by Unique. Repairs carried out by inexperienced persons may cause injury or serious malfunctioning of the appliance. Unauthorized work may void the warranty.

## PRODUCT FEATURES



### PRODUCT FEATURES

**A** Refrigerator compartment

**B** Freezer compartment

**1** Wine rack

**2** Refrigerator shelves

**3** Crisper cover

**4** Crisper

**5** Freezer upper shelf

**6** Freezer middle drawer

**7** Freezer bottom drawer

**8** Levelling feet

**9** Door shelf

**10** Adjustable door shelf

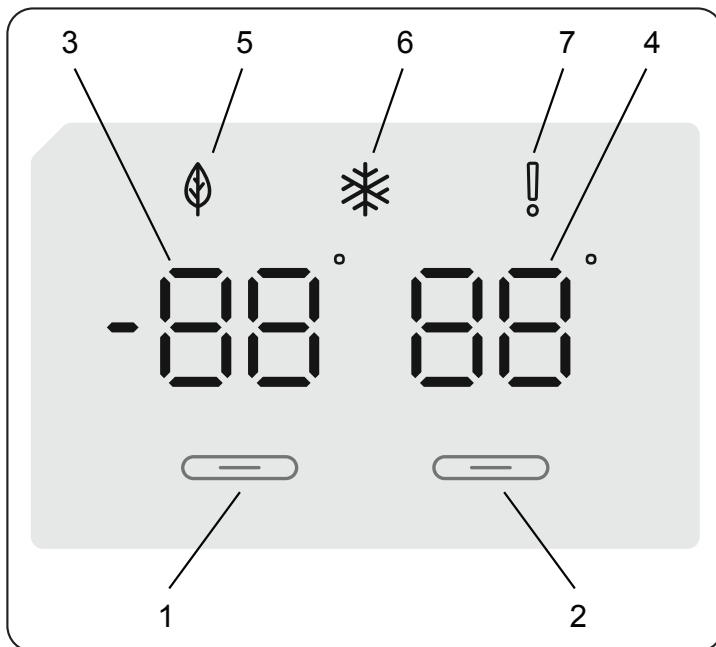
**11** Bottle shelf

**12** Thermostat box / Interior display

**13** Egg holder

**14** Ice maker

## OPERATION



### DISPLAY / CONTROL PANEL

- 1 Enables the setting of the freezer.
- 2 Enables the setting of the cooler.
- 3 Freezer set value screen.
- 4 Cooler (fridge) set value screen.
- 5 Economy mode symbol.
- 6 Super freeze symbol.
- 7 Alarm symbol.

#### Note:

When the appliance is plugged in for the first time, all symbols will be displayed for 2 seconds: the freezer adjustment indicator will display  $-18^{\circ}\text{C}$ , and the fridge adjustment indicator will display  $4^{\circ}\text{C}$ .

### SWITCHING THE DISPLAY BETWEEN FAHRENHEIT AND CELCIUS

Upon start up, the temperature is displayed in Fahrenheit ( $F^{\circ}$ ).

To change the display to Celcius, first set the temperature to  $39^{\circ}\text{F}$  ( $4^{\circ}\text{C}$ ) and then press and hold the cooler set button for 10 seconds. The display will then show the temperature in Celcius.

To revert the display to Fahrenheit, set the temperature to  $4^{\circ}\text{C}$  ( $39^{\circ}\text{F}$ ) and press and hold the cooler set button for 10 seconds.

FRIDGE	
FAHRENHEIT ( $F^{\circ}$ )	CELCIUS ( $C^{\circ}$ )
46	8
45	7
43	6
41	5
39	4
37	3
36	2
34	1

FREEZER	
FAHRENHEIT ( $F^{\circ}$ )	CELCIUS ( $C^{\circ}$ )
3	-16
1	-17
0	-18
-2	-19
-4	-20
-6	-21
-8	-22
-9	-23
-11	-24

# OPERATION

## SETTING THE FREEZER TEMPERATURE

The initial temperature value for the freezer setting indicator is  $-18^{\circ}\text{C}/0^{\circ}\text{F}$ .  
To adjust and set your preferred freezer temperature:

- Press the freezer set button once. When you first press the button, the previous value will blink on the screen.
- Press the same button to cycle through increasingly lower temperatures:  
 $-16^{\circ}\text{C}/3^{\circ}\text{F}$   $-18^{\circ}\text{C}/0^{\circ}\text{F}$   $-20^{\circ}\text{C}/-4^{\circ}\text{F}$   $-22^{\circ}\text{C}/-8^{\circ}$   $-24^{\circ}\text{C}/-11^{\circ}\text{F}$
- Continue pressing the button to restart from  $-16^{\circ}\text{C}/3^{\circ}\text{F}$ .

**NOTE:** Eco mode gets activated automatically when the temperature of the freezer compartment is set to  $-18^{\circ}\text{C}/0^{\circ}\text{F}$ .

## SETTING THE FRIDGE TEMPERATURE

The initial temperature value for the cooler setting indicator is  $+4^{\circ}\text{C}/39^{\circ}\text{F}$ .  
To adjust and set your preferred fridge temperature:

- Press the fridge button once.
- Press the same button to cycle through increasingly lower temperatures  
 $+8^{\circ}\text{C}/46^{\circ}\text{F}$   $+6^{\circ}\text{C}/43^{\circ}\text{F}$   $+5^{\circ}\text{C}/41^{\circ}\text{F}$   $+4^{\circ}\text{C}/39^{\circ}\text{F}$   $+2^{\circ}\text{C}/36^{\circ}\text{F}$
- Continue pressing the button to restart from  $+8^{\circ}\text{C}/46^{\circ}\text{F}$ .

## SUPER FREEZE MODE

Use the Super Freeze mode to:

- Freeze a large quantity of food that cannot fit on the fast freeze shelf.
- Freeze prepared foods.
- Freeze fresh food quickly to retain freshness.

## HOW TO USE SUPER FREEZE MODE

- Press and hold the freezer temperature setting button for 3 seconds. Once the super freeze mode has been set, the super freeze symbol on the indicator will be lit and the appliance will beep to confirm the mode has been switched on.

### During Super Freeze Mode:

- The temperature of the Cooler may be adjusted. In this case, Super Freeze mode will continue.
- Economy mode cannot be selected.
- To turn off Super Freeze mode, press and hold the freezer temperature setting button for 3 seconds.

### Notes:

- The maximum amount of fresh food (in kilograms) that can be frozen within 24 hours is shown on the appliance label.
- For optimal appliance performance in maximum freezer capacity, activate super freeze mode 3 hours before you put fresh food into the freezer.
- **Super Freeze mode will automatically cancel after 24 hours, depending on the environmental temperature or when the freezer sensor reaches a sufficiently low temperature.**

## OPERATION

RECOMMENDED TEMPERATURE FOR THE FRIDGE AND FREEZER COMPARTMENTS		
Freezer Compartment	Fridge Compartment	Remarks
-18 °C/0 °F	4 °C/39 °F	For regular use and best performance.
-20 °C/-4 °F -22 °C/-8 °F -24 °C/-11 °F	4 °C/39 °F	Recommended when environmental temperature exceeds 30°C/86 °F.
Super Freeze mode	4 °C/39 °F	Use when you wish to freeze food in a short period of time.
-18 °C/0 °F -20 °C/-4 °F -22 °C/-8 °F -24 °C/-11 °F	2 °C/36 °F	These temperature settings must be used when the environmental temperature is high or if you think the refrigerator compartment is not cool enough because the door is being opened frequently.

### DOOR OPEN ALARM FUNCTION

If fridge door is open for more than 2 minutes, a double “beep” will sound and the interior lights will blink.

### TEMPERATURE SETTINGS WARNINGS

Your appliance is designed to operate in the ambient temperature ranges stated in the standards, according to the climate class stated in the information label. It is not recommended that your fridge is operated in environments which are outside of the stated temperature ranges. This will reduce the cooling efficiency of the appliance.

Temperature adjustments should be made according to the frequency of door openings, the quantity of food kept inside the appliance and the ambient temperature in the location of your appliance.

- When the appliance is first switched on, allow it to run for 24 hours in order to reach operating temperature. During this time, do not open the door and do not keep a large quantity of food inside.
- A 5 minute delay function is applied to prevent damage to the compressor of your appliance when connecting or disconnecting to the main power supply, or when an electrical interruption occurs. Your appliance will begin to operate normally after 5 minutes.

### IMPORTANT INSTALLATION INSTRUCTIONS

This appliance is designed to work in difficult climate conditions and is equipped with ‘Freezer Shield’ technology which ensures that the frozen food in the freezer will not defrost even if the ambient temperature falls as low as -15°C/5°F. So you may then install your appliance in an unheated room without having to worry about frozen food in the freezer spoiling. When the ambient temperature returns to normal, you may continue using the appliance as usual.

## FEATURES

### ICE TRAY

- Fill the ice tray with water and place in the freezer compartment.
- After the water has completely frozen, you can twist the tray as shown below to remove the ice cubes.

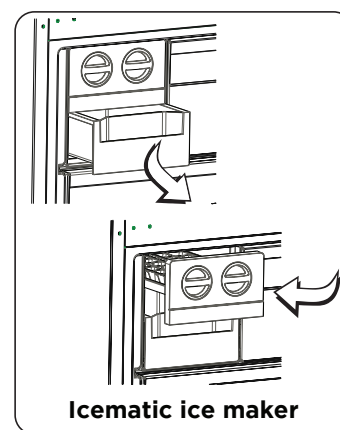
### ICEMATIC ICE MAKER

The ice maker freezes and stores ice cubes. To use:

- Pull the lever towards you and remove the ice maker tray.
- Fill with water to the marked level.
- Hold the left end of the lever and set the ice-tray on the icebox.
- When ice cubes have formed, twist the lever to drop the ice cubes into the icebox.

Do not fill the icebox with water in order to make ice. It will break.

**NOTE:** Too many ice cubes in the storage compartment can inhibit the turning action of the ice tray. If you need to keep a quantity of ice cubes on hand, empty the storage bin into an air-tight container to keep ice cubes fresh.



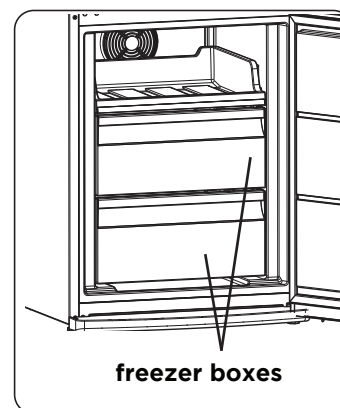
### FREEZER BOXES

The freezer boxes allow food to be accessed more easily.

#### REMOVING THE FREEZER BOXES

- Pull the box out as far as possible
- Pull the front of the box up and out

**NOTE:** Always keep hold of the handle of the box while removing it. After cleaning, reverse these instructions to re-install the freezer boxes.



### ADJUSTABLE DOOR SHELF

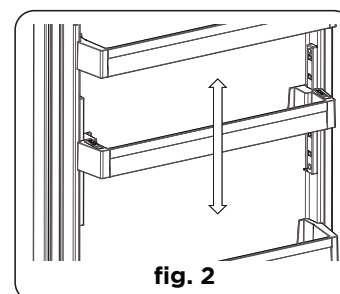
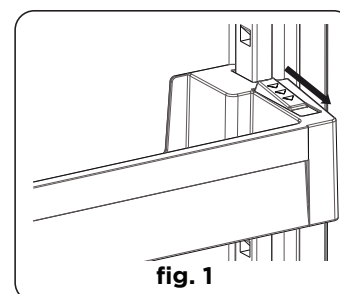
Six different height adjustments can be made to provide storage areas that you need by adjustable door shelf.

#### To change the position of adjustable door shelf:

Hold the bottom of the shelf and pull the buttons on the side of the door shelf direction of arrow. (Fig.1)

Position door shelf at the height you need by moving it up and down. Once the shelf is in the desired position, release the buttons on the side of the door shelf (Fig.2) Confirm the door shelf is firmly fixed in position before loading the shelf.

**NOTE:** Avoid changing door shelf position when shelf is loaded. If you must move a loaded shelf, be sure to support the bottom of the shelf while fixing it in its new position, otherwise damage to the shelf rails or the shelf could occur.



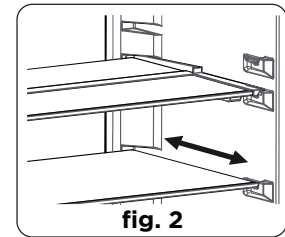
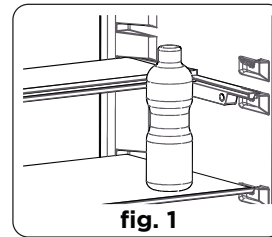
## FOOD STORAGE

### ADJUSTABLE GLASS SHELF

Adjustable glass shelf mechanism provides higher storage spaces with a simple movement.

To cover the glass shelf, push it. (Fig.1)

You can load your food as you want in the resulting extra space. To bring the shelf in its original position, pull it toward you. (Fig.2)



### REFRIGERATOR COMPARTMENT

For normal operating conditions, set the temperature of the cooler compartment to +4 or +6 °C (39° or 43° F).

- To reduce humidity and avoid the consequent formation of frost, always store liquids in sealed containers in the refrigerator. Frost tends to concentrate in the coldest parts of the evaporating liquid and, in time, your appliance will require more frequent defrosting.
- Cooked dishes must remain covered when they are kept in the fridge. Do not place warm foods in fridge. Place them when they are cool, otherwise the temperature/humidity inside the fridge will increase, reducing the fridge's efficiency.
- Make sure no items are in direct contact with the rear wall of the appliance as frost will develop and packaging will stick to it. Do not open the refrigerator door frequently.
- We recommend that meat and clean fish are loosely wrapped and stored on the glass shelf just above the vegetable bin where the air is cooler, as this provides the best storage conditions.
- Store loose fruit and vegetable items in the crisper containers.
- Storing fruit and vegetables separately helps prevent ethylene-sensitive vegetables (greens, broccoli, carrot, etc.) being affected by ethylene releasing fruits (banana, peach, apricot, fig etc.).
- Do not put wet vegetables into the refrigerator.
- Storage time for all food products depends on the initial quality of the food and an uninterrupted refrigeration cycle before refrigerator storage.
- Water leaking from meat may contaminate other products in the refrigerator. You should package meat products and clean any leakages on the shelves.
- Do not put food in front of the air flow passage.
- Consume packaged foods before the recommended expiry date.
- To keep the refrigerator compartment at the optimum temperature, do not allow food to come into contact with the temperature sensor located in the refrigerator compartment.
- To ensure a safe food storage temperature, maintain an operating temperature inside the fridge cabinet of 2 °C/36 °F to 4 °C/39 °F. Fridge temperatures warmer than 4 °C/39 °F can promote unsafe bacterial growth in food.
- Do not put hot food in the refrigerator immediately, wait for the temperature to pass outside. Hot foods increase the degree of your refrigerator and cause food poisoning and unnecessary spoiling of the food.
- The crispers/vegetable compartments are best for storing fruits/vegetables, while meat/fish, etc should be stored within the fridge/chiller compartment.
- To prevent cross contamination, meat products and produce should not be stored together.
- Foods should be placed in the refrigerator in closed containers or covered to prevent moisture and odors.
- To ensure optimal performance, make sure there are no obstructions preventing the doors from closing properly and forming a tight seal.

## FOOD STORAGE

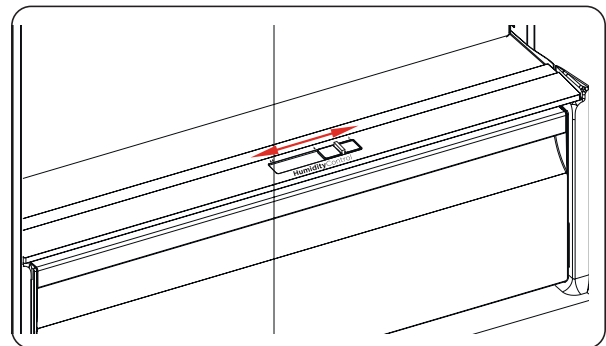
The table below is a quick guide to show you the most efficient way to store the major food groups in your refrigerator compartment.

GUIDE TO STORING FOOD IN THE FRIDGE COMPARTMENT		
Food	Maximum Storage Time	How and Where to Store
Vegetables and fruit	1 week	Vegetable crisper
Meat and fish	2-3 days	Store in plastic foil, air-tight bags or containers on glass shelves
Cheese and dairy products	Until the expiry date recommended by the producer	On glass or door shelves
Eggs	1 month	On designated egg shelf
Cooked food/leftovers	2 days	Store in plastic foil, air-tight bags or containers on glass shelves

**NOTE:** Potatoes, onions and garlic should not be stored in the refrigerator.

### HUMIDITY CONTROL SLIDER

If the crisper is full, the Humidity Control slider located at the top edge of the crisper drawer should be opened. This allows the air in the crisper and the humidity rate to be controlled, increasing the length of food storage within. The Humidity Control slider should be opened if any condensation is seen on the glass shelf.



### FREEZER COMPARTMENT

For normal operating conditions, set the temperature of the freezer compartment to  $-18^{\circ}\text{C}/0^{\circ}\text{F}$  or  $-20^{\circ}\text{C}/-4^{\circ}\text{F}$ .

- The freezer is used for storing frozen food, freezing fresh food, and making ice cubes.
- Food in liquid form should be frozen in sealed plastic containers, while solid food should be frozen in plastic pouches or bags. Wrap and seal fresh food properly; packaging should be air-tight and shouldn't leak. Special freezer bags, aluminum foil, polythene bags, and plastic containers are ideal.
- Do not store fresh food next to frozen food as it can thaw the frozen food.
- Before freezing fresh food, divide it into portions that can be consumed in one sitting.
- Consume thawed frozen food within a short period of time after defrosting
- Always follow the manufacturer's instructions on food packaging when storing frozen food. If no information is provided food, should not be stored for more than 3 months from the date of purchase.

## FOOD STORAGE

- When purchasing frozen food, make sure that it has been stored under appropriate conditions and that the packaging is not damaged.
- Frozen food should be transported in appropriate containers and placed in the freezer as soon as possible.
- Do not purchase frozen food if the packaging shows signs of humidity and abnormal swelling. It may have been stored at an unsuitable temperature and the contents have deteriorated.
- The storage life of frozen food depends on the room temperature, the thermostat setting, how often the door is opened, the type of food, and the length of time required to transport the product from the shop to your home. Always follow the instructions printed on the packaging and never exceed the maximum storage life indicated.
- If the freezer door has been left open for a long time or not closed properly, frost will form and can prevent efficient air circulation. To resolve this, unplug the freezer and wait for it to defrost. Clean the freezer once it has fully defrosted.
- The freezer volume stated on the label is the volume without baskets, covers, and so on.
- Do not refreeze thawed food. It may pose a danger to your health and cause problems such as food poisoning.

**NOTE:** If you attempt to open the freezer door immediately after closing it, you will find that it will not open easily. This is normal; once the air pressure has equalized, the door will open easily.

## CLEANING AND DEFROSTING

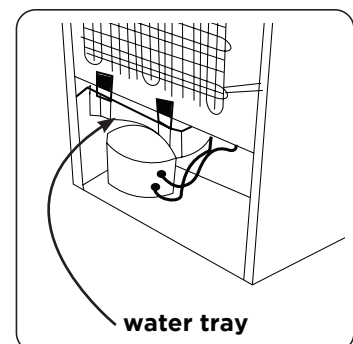
### INTERNAL/EXTERNAL CLEANING

Wash the inside of the appliance with luke warm water and a mild soap. Never use abrasive or corrosive cleaning agents, steel wool, scouring sponges, chemical cleaning agents, or highly perfumed cleaning products to clean the interior or exterior as these will damage the surface and leave behind a strong odor. A sponge, towel, or soft brush is recommended. Wash with a mixture of two tablespoons (30ml) of baking soda to 1 quart (1.14L) warm water. After cleaning, wipe all surfaces with a soft cloth and clean water to rinse, and allow the fridge/freezer to dry.

- Make sure that no water enters the lamp housing and/or other electrical components.
- Clean the accessories separately by hand with soap and water. Do not put accessories in a dish washer.
- Clean the condenser with a brush at least twice a year. This will help to sustain performance and save on energy costs. The power supply must be disconnected during cleaning.

### DEFROSTING

- Your appliance performs automatic defrosting. The water that results from this defrosting process flows through the water collection spout and into the water tray behind the appliance where it evaporates.
- Make sure you have disconnected the plug of your appliance before cleaning the water tray. Wipe out the tray with a soapy sponge regularly to prevent odours from forming.



## MAINTENANCE

### REPLACING LED LIGHTING

To replace any of the LEDs, please contact the nearest Authorised Service Centre.

**NOTE:** The numbers and location of the LED strips may change according to the model.

### REPOSITIONING THE DOOR

It is not possible to change the opening direction of your appliance door if door handles are installed on the front surface of the appliance door.

### VACATION

- Short vacations: Leave the appliance operating during vacations of less than three weeks.
- Long vacations: If the appliance will not be used for several months, remove all items and disconnect the appliance from its power source. Clean and dry the interior thoroughly. To prevent odor and mold growth, leave the door open slightly, blocking it open if necessary.

### MOVING

- Remove all items.
- Tape down shelves inside the appliance.
- Turn the adjustable leg up to the base to avoid damage.
- Tape the door shut.
- Be sure the appliance stays in the upright position during transportation. Protect the outside of the appliance with a blanket.
- If the appliance is placed on its back or side during transportation, upon reaching the destination, allow it to remain upright for 6 hours before plugging in to avoid damage to internal components.

### CUSTOMER RESPONSIBILITIES

The following items are the responsibility of the customer and are not covered by the warranty:

- Proper care and use of the appliance as described in this manual.
- Damage to the interior or exterior finish or components after delivery.
- Proper power supply, circuit breaker, wiring, and connections.
- Service required as a result of alteration, misuse, abuse, flooding, fire, lightning, or other acts of God.

# TROUBLESHOOTING

Error Codes			
Error Type	Meaning	Reason	Action Needed
E01	Sensor Warning		Call Service for assistance as soon as possible.
E02			
E03			
E06			
E07			
E09	Freezer compartment is not cold enough	Likely to occur after long term power failure.	<ol style="list-style-type: none"> <li>1. Set the freezer temperature to a colder value or set Super Freeze. This should remove the error code once the required temperature has been reached. Keep doors closed to improve time taken to reach the correct temperature.</li> <li>2. Remove any products which have thawed/defrosted during this error. They can be used within a short period of time.</li> <li>3. Do not add any fresh produce to the freezer compartment until the correct temperature has been reached and the error is no longer.</li> </ol> <p>If this warning continues, an authorised technician needs to be contacted.</p>
E10	Fridge compartment is not cold enough	<p>Likely to occur after:</p> <ul style="list-style-type: none"> <li>• Long term power failure.</li> <li>• Hot food has been left in the fridge.</li> </ul>	<ol style="list-style-type: none"> <li>1. Set the fridge temperature to a colder value or set Super Cool. This should remove the error code once the required temperature has been reached. Keep doors closed to improve time taken to reach the correct temperature.</li> <li>2. Please empty the location at the front area of air duct channel holes and avoid putting food close to the sensor.</li> </ol> <p>If this warning continues an authorised technician needs to be contacted.</p>

## TROUBLESHOOTING (continued)

Error Codes (continued)			
Error Type	Meaning	Reason	Action Needed
E11	Fridge compartment is too cold	Various	<ol style="list-style-type: none"> <li>1. Check is Super Cool mode is activated</li> <li>2. Reduce the fridge compartment temperature</li> <li>3. Check to see if vents are clear and not clogged</li> </ol> <p>If this warning continues an authorised technician needs to be contacted.</p>

**If you are experiencing a problem with your appliance, please check the following before contacting the after-sales service.**

PROBLEM	SOLUTION
<b>The appliance is not working</b>	<p><b>Check if:</b></p> <ul style="list-style-type: none"> <li>• There is power</li> <li>• The appliance is correctly plugged in</li> <li>• The plug fuse or the mains fuse has blown</li> <li>• The socket is defective. To check this, plug another working appliance into the same socket.</li> </ul>
<b>The appliance performs poorly</b>	<p><b>Check if:</b></p> <ul style="list-style-type: none"> <li>• The appliance is overloaded</li> <li>• The appliance door is closed properly</li> <li>• There is any dust on the condenser</li> <li>• There is enough space near the rear and side walls.</li> </ul>

## TROUBLESHOOTING (continued)

PROBLEM	SOLUTION
<p><b>The appliance is making noise</b></p>	<p><b>These are normal noises</b></p> <p><b>A “cracking” sound can occur:</b></p> <ul style="list-style-type: none"> <li>• During automatic defrosting</li> <li>• When the appliance is cooled or warmed (due to expansion of insulating materials).</li> </ul> <p><b>A short “cracking” sound occurs:</b></p> <ul style="list-style-type: none"> <li>• When the thermostat switches the compressor on/off.</li> </ul> <p><b>A motor noise occurs:</b></p> <ul style="list-style-type: none"> <li>• When the compressor is operating normally.</li> <li>• The compressor may cause more noise for a short time when it is first activated.</li> </ul> <p><b>A bubbling noise and splashing sound occurs:</b></p> <ul style="list-style-type: none"> <li>• Due to the flow of the refrigerant in the tubes of the system.</li> </ul> <p><b>The sound of flowing water occurs:</b></p> <ul style="list-style-type: none"> <li>• Due to water flowing to the evaporation container. This noise is normal during defrosting.</li> </ul> <p><b>The sound of blowing air occurs:</b></p> <ul style="list-style-type: none"> <li>• During normal operation of the system due to the circulation of air.</li> <li>• If the edges of the appliance are warm where they contact the door joints (especially during warm seasons) the surfaces in contact with the door joint may become warmer during the operation of the compressor; this is normal.</li> </ul>
<p><b>There is a build-up of humidity inside the appliance</b></p>	<p><b>Check if:</b></p> <ul style="list-style-type: none"> <li>• All food is packed properly. Containers must be dry before being placed in the appliance.</li> <li>• The appliance door is opened frequently. Humidity in the room enters the appliance when the doors are opened. Humidity increases more quickly when the doors are opened frequently, especially if the humidity in the room is high.</li> </ul>
<p><b>The door does not open or close properly</b></p>	<p><b>Check if:</b></p> <ul style="list-style-type: none"> <li>• There is food or packaging preventing the door from closing</li> <li>• The door joints are broken or torn</li> <li>• Your appliance is on a level surface.</li> </ul>
<p><b>The edges of the appliance are warm where they contact the door joint</b></p>	<p>Especially during summer (warm seasons), the surfaces in contact with the door joint may become warmer during the operation of the compressor, this is normal.</p>

# RECOMMENDATIONS

## RECOMMENDATIONS




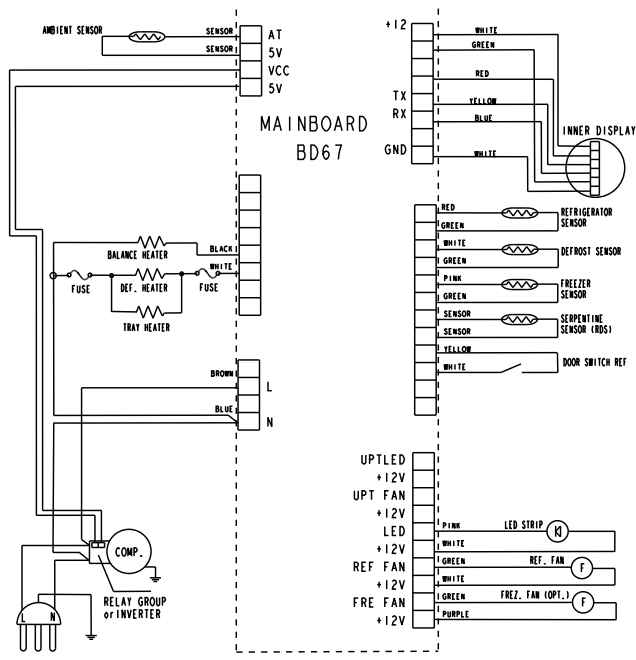
- If the appliance is switched off or unplugged, wait at least 5 minutes before plugging the appliance in or restarting it in order to prevent damage to the compressor.
- If you will not use your appliance for a long time (e.g. in summer holidays) unplug it. Clean the appliance according to the directions on page 15 and leave the door open to prevent humidity and smell.
- If a problem persists after you have followed all the above instructions, please consult the nearest authorised service centre.
- The appliance you have purchased is designed for domestic use only. It is not suitable for commercial or common use. If the consumer uses the appliance in a way that does not comply with this, we emphasise that the manufacturer and the dealer will not be responsible for any repair and failure within the guarantee period.

## ENERGY SAVING TIPS

1. Install the appliance in a cool, well ventilated room, but not in direct sunlight and not near a heat source (such as a radiator or oven) otherwise an insulating plate should be used.
2. Allow warm food and drinks to cool before placing them inside the appliance.
3. Place thawing food in the refrigerator compartment if available. The low temperature of the frozen food will help cool the refrigerator compartment while the food is thawing. This will save energy. Frozen food left to thaw outside of the appliance will result in a waste of energy.
4. Drinks or other liquids should be covered when inside the appliance. If left uncovered, the humidity inside the appliance will increase, therefore the appliance uses more energy. Keeping drinks and other liquids covered helps preserve their smell and taste.
5. Avoid keeping the doors open for long periods and opening the doors too frequently as warm air will enter the appliance and cause the compressor to switch on unnecessarily often.
6. Keep the covers of the different temperature compartments (such as the crisper and chiller if available) closed.
7. The door gasket must be clean and pliable. In case of wear, replace the gasket.



# RATING PLATE

	© Unique Appliances Ltd. All rights reserved. Designed and manufactured by: Unique Appliances Ltd., 2245 Wyecroft Road #5, Oakville, Ontario, Canada, L6L 5L7.	© Unique Appliances Ltd. Tous droits réservés. Conçu et fabriqué par: Unique Appliances Ltd. 2245 Wyecroft Road #5, Oakville, Ontario, Canada, L6L 5L7.	
UGP-340L W AC ,UGP-340L B AC, UGP-340L T AC, UGP-340L LG AC, UGP-340L O AC, UGP-340L Y AC, UGP-340L MB AC, UGP-340L R AC, UGP-340L V AC			
Compressor Refrigerator /Réfrigérateur compresseur		MADE IN TÜRKIYE FABRIQUÉ EN TÜRKIYE	
Rated Voltage Tension Nominale	AC 115V-127V	Total Volume Volume Total	11.7 cu.ft.
Rated Frequency Fréquence Nominale	60Hz	High side Design Pressure Côté Haute Pression	— psi
Rated Current Courant Nominal	1.99 A	Low side Design Pressure Côté Basse Pression	— psi
Rated Defrost Power Puissance de Dégivrage	168 W	Refrigerant Réfrigérant	R600a
Maximum Ice-maker Power Puissance Maximale de Glaçons	— W	Amount Montant	1.764oz.(50g)
Type of Preventing From Electric Shock Type de prévention De Choc Electrique	Class I	Foaming Agent Agent Moussant	Cyclopentance
<div style="display: flex; justify-content: space-between; align-items: center;"> <div style="text-align: center;">  <p style="font-size: x-small;">CONFORMS TO UL STD. 60335-1 &amp; 60335-2-24,"CERTIFIED TO CSA STD. C22.2 NO.60335-1 &amp; 60335-2-24".</p> <p style="font-size: x-small;">EN CONFORMITÉ AVEC UL STD. 60335-1 &amp; 60335-2-24,"CERTIFIÉS CSA STD. C22.2 NO.60335-1 &amp; 60335-2-24"</p>  </div> <div style="text-align: center; flex-grow: 1;"> <h2 style="margin: 0;">ELECTRIC DIAGRAM/ SCHÉMA ÉLECTRIQUE</h2>  </div> </div>			
FREE STANDING INSTALLATION ONLY UNIQUEMENT POUR INSTALLATION A POSITIONNEMENT LIBRE			

# WARRANTY

Unique Appliances Ltd. (hereafter "Unique") warrants that this UNIQUE fridge is free from manufacturer's defects in material and workmanship under normal usage and service under the following terms.



## TERMS OF WARRANTY

Plastic parts are warranted for thirty (30) days from the date of purchase, with no extensions provided.

## PARTS WARRANTY

This appliance has been designed for domestic household use. If properly installed, adjusted and operated under normal conditions in accordance with printed instructions, it will satisfactorily perform the functions that are generally expected of this type of appliance. If the appliance fails to do so because of a defect in material or workmanship within one year or two years on the hermetically sealed compressor from the original date of purchase: Unique will at our option, repair, exchange, or correct by other means Unique consider appropriate, any part(s) Unique finds to be defective except for the surface finish.

## OWNERSHIP

This Warranty is made only to the first purchaser ("original purchaser") who acquires this fridge for his/her own use and will be honored by Unique Appliances Ltd. and by the Seller. Purchaser must retain their receipt as proof of purchase date.

## WARRANTY CONDITIONS

This warranty does not apply to any appliance that has been subjected to alterations, misuse, abuse (including damage by foreign agents or chemicals), accident, improper installation or service, delivery damage, or other than normal household use and service. This UNIQUE appliance must be serviced regularly as outlined in the Owner's Manual. Neither Unique Appliances Ltd. nor the selling dealer will be liable for direct or indirect loss of foods caused by failure in operation. In case of damage, the owner must provide proof of purchase, Model, and Serial Number to the selling dealer or Unique Appliances Ltd. This warranty is LIMITED STRICTLY to the terms indicated herein, and no other expressed warranties or remedies thereunder shall be binding on Unique.

## PURCHASER'S RESPONSIBILITIES

The purchaser will be responsible for the costs of any service calls requested to demonstrate or confirm the proper operation of the appliance, the installation, or to correct malfunctions in the appearance created by the operation of the appliance in a manner not prescribed by or cautioned against in the use and care instructions.

## MODEL AND SERIAL NUMBER

The appliance model number and serial number can be found on a rating plate attached at the back of the fridge. The purchaser should always refer to the model and serial number when talking to or contacting the dealer from whom the appliance was purchased.

## EXCLUSIONS

Save as herein provided, by Unique, there are no other warranties, conditions, representations or guarantees, express or implied, made or intended by Unique or its authorized distributors and all other warranties, conditions, representations or guarantees, including any warranties, conditions, representations or guarantees under any Sale of Goods Act or like legislation or statute is hereby expressly excluded. Save as herein provided, Unique shall not be responsible for any damages to persons or property, including the unit itself, howsoever caused or any consequential damages arising from the malfunction of the unit and by the purchase of the unit, the purchaser does hereby agree to indemnify and hold harmless Unique from any claim for damages to persons or property caused by the unit.

Removal or disfigurement of the serial plate will void the warranty. The purchaser will be responsible for any expenses involved in making the refrigerator readily accessible for servicing. The purchaser will be responsible for any extra charges where the installation is in a remote location such as un-assumed roads, islands, areas known as cottage country, more than 75 km outside a metropolitan area, or where a technician is not available. Freight damage is not covered by this warranty.

## GENERAL PROVISIONS

No warranty or insurance herein contained or set out shall apply when damage or repair is caused by any of the following:

- 1) Power failure.
- 2) Damage in transit or when moving the appliance.
- 3) Improper power supply such as low voltage, defective house wiring or inadequate fuses.
- 4) Accident, alteration, abuse or misuse of the appliance such as inadequate air circulation in the room or abnormal operating conditions (ie. extremely high or low room temperature).
- 5) Use for commercial or industrial purposes (ie. If the appliance is not installed in a domestic residence).
- 6) Fire, water damage, theft, war, riot, hostility, acts of God such as hurricanes, floods etc.
- 7) Service calls resulting in customer education.
- 8) Improper Installation (ie. Building-in of a free standing appliance or using an appliance outdoors that is not approved for outdoor application, including but not limited to: garages, patios, porches or anywhere that is not properly insulated or climate controlled).

Proof of purchase date will be required for warranty claims; retain bills of sale. In the event that warranty service is required, present the proof of purchase to our authorized service depot.

Nothing within this warranty shall imply that Unique will be responsible or liable for any spoilage or damage to food or other contents of this appliance, whether due to any defect of the appliance, or its use, whether proper or improper

## FACTORY ASSISTANCE

If the purchaser is unable to locate an authorized dealer/service agent, or if the purchaser does not receive satisfaction from the dealer, they may contact Unique Appliances Customer Service directly at Toll Free 1-877-427-2266 or 905-827- 6154

## APPLIANCE INFORMATION

### APPLIANCE INFORMATION

(manual copy - keep with your records)

To make care and servicing of your fridge easy and efficient, please record the following information for future reference:

Model:

---

Serial Number:

---

Purchased From:

---

Date Purchased:

---

### NOTES

---

---

---

---

## PRODUCT REGISTRATION

Please visit our website at <https://uniqueappliances.com/product-registration/> to register your product.

## CONTACT US

For questions related to the operation, safety or the purchase of your fridge, please contact your dealer for more information. For general information, contact our customer service department:



#### Email

[info@UniqueAppliances.com](mailto:info@UniqueAppliances.com)



#### Toll-free

1-877-427-2266 or 1-905-827-6154  
(available during regular business hours, 8:30 am to 4:30 pm, EST.)



#### Website

[www.uniqueappliances.com](http://www.uniqueappliances.com)



© 2023 Unique Appliances Ltd., 2245 Wycroft Road,  
Oakville, Ontario, Canada, L6L 5L7

[www.uniqueappliances.com](http://www.uniqueappliances.com)