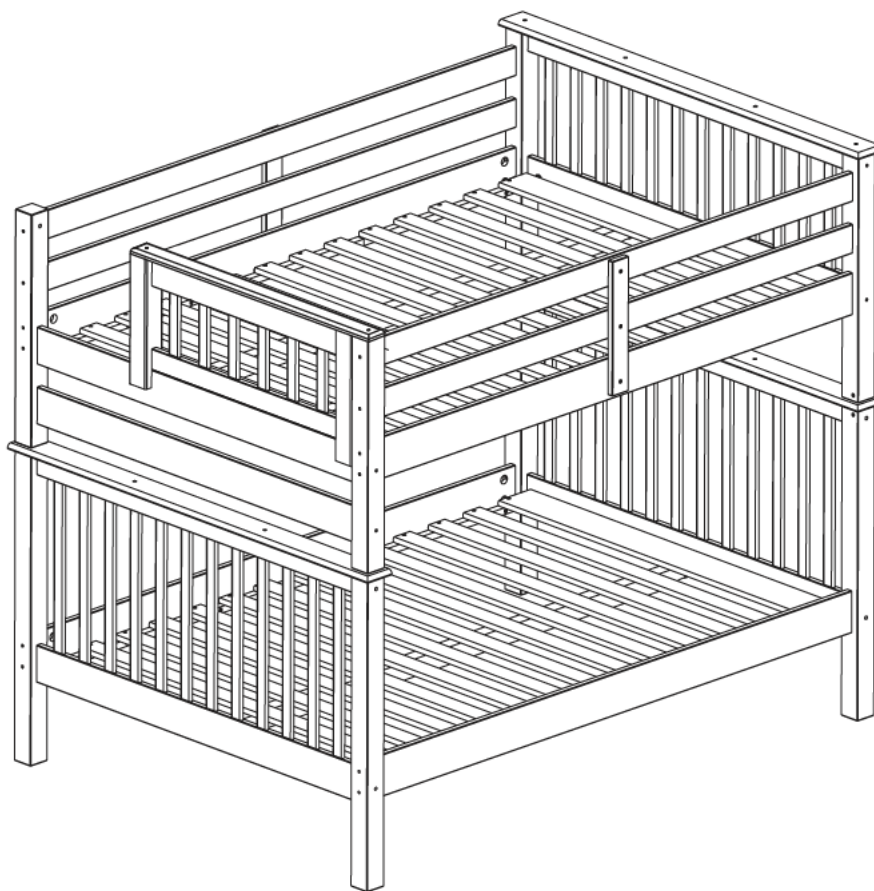


FULL OVER FULL END LADDER BUNK BEDS with TRUNDLE

Assembly Instructions



**READ THESE INSTRUCTIONS CAREFULLY BEFORE
ATTEMPTING TO ASSEMBLE THIS BED**

SAFETY WARNINGS AND GENERAL NOTES

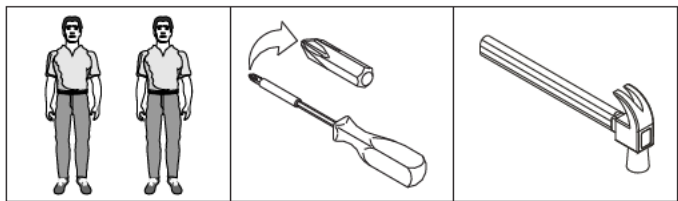
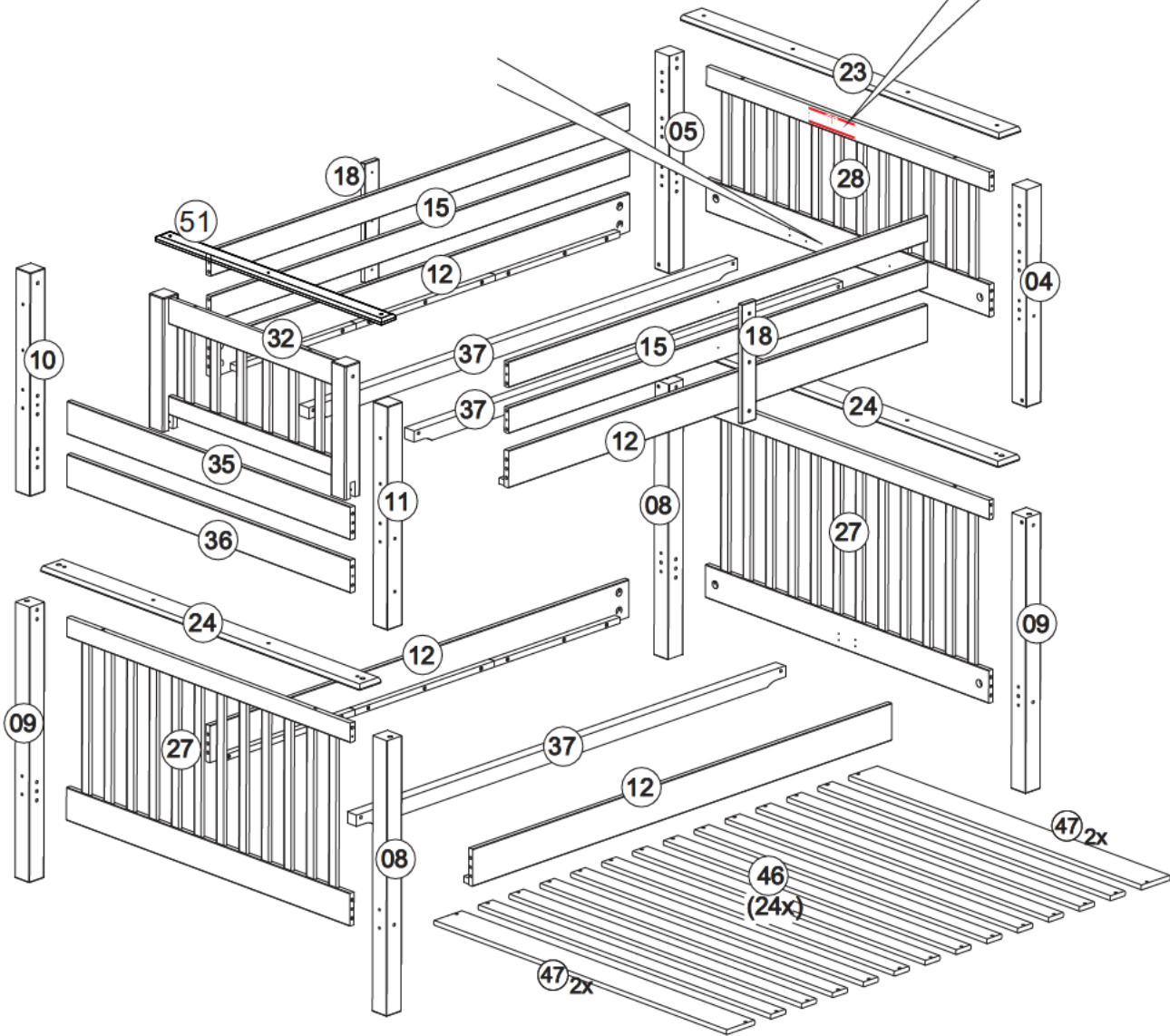
- ✓ Follow the information on the warning labels on the upper bunk bed structure and on the carton. Do not remove warning label from the bed.
- ✓ Always use the recommended size mattress or mattress support, or both, to help prevent the likelihood of entrapment or falls.
- ✓ The top surfaces of the mattress must be at least 5" below the upper edge of the guardrails.
- ✓ **Do not** allow children under 6 years of age to use the upper bunk.
- ✓ **Prohibit** more than one person on the upper bunk.
- ✓ Periodically check and ensure that the guardrails, ladder and other components are in their proper position, free from damage, and that all connectors are tight.
- ✓ **Do not** allow horseplay on or under the bed. Always prohibit jumping on the bed.
- ✓ Always use the ladder for entering and leaving the upper bunk.
- ✓ **Do not** use substitute parts. Contact the manufacturer or dealer for replacement parts.
- ✓ Use of a night-light may provide added safety for a child using the upper bunk.
- ✓ If the bunk bed will be placed next to the wall, the guardrail that runs the full length of the bed should be placed against the wall to prevent entrapment between the bed and the wall.
- ✓ Always use guardrails on both long sides of the upper bunk.
- ✓ The use of a water or sleep floatation mattress is prohibited.
- ✓ Keep these instructions for future reference.
- ✓ We recommend assembling your bunk bed on the shipping carton to protect your floor or carpet. Be certain all staples are out of the box before beginning assembly on the shipping carton.
- ✓ **Strangulation Hazard** Never attach or hang items to any part of the bunk bed that are not designed for use with the bed for example, but not limited to hooks, belts, and jump ropes.

WARNING

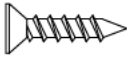
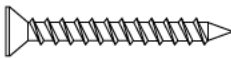


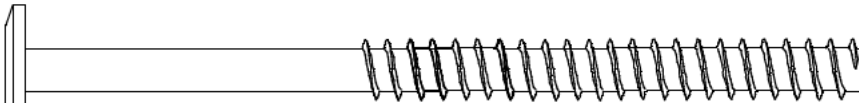


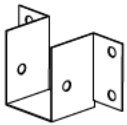

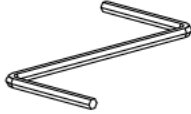
To help prevent serious or fatal injuries from entrapment or suffocation:
 • Never allow a child under 6 years on upper bunk.
 • Use any mattress which is 74" x 75" original 53 1/2" x 53 1/2" wide on upper bunk.
 • Use any mattress which is 74" x 75" original 53 1/2" x 53 1/2" wide on lower bunk.
 • Ensure 4 inches of mattress and foundation combined does not extend 1" and mattress is at least 1/2" below upper edge of slats.

Use guards on both sides of upper bunk.
 Prohibit the use on or under bed (s).
 Prohibit more than one person on upper bunk.
 Use ladder for entering and leaving upper bunk.
STRADDLE ON HEADS: Never attach or hang items to any part of the bunk bed that are not designed for use with the bed for example, but not limited to, books, baby and stroller covers.

DO NOT REMOVE THIS LABEL.



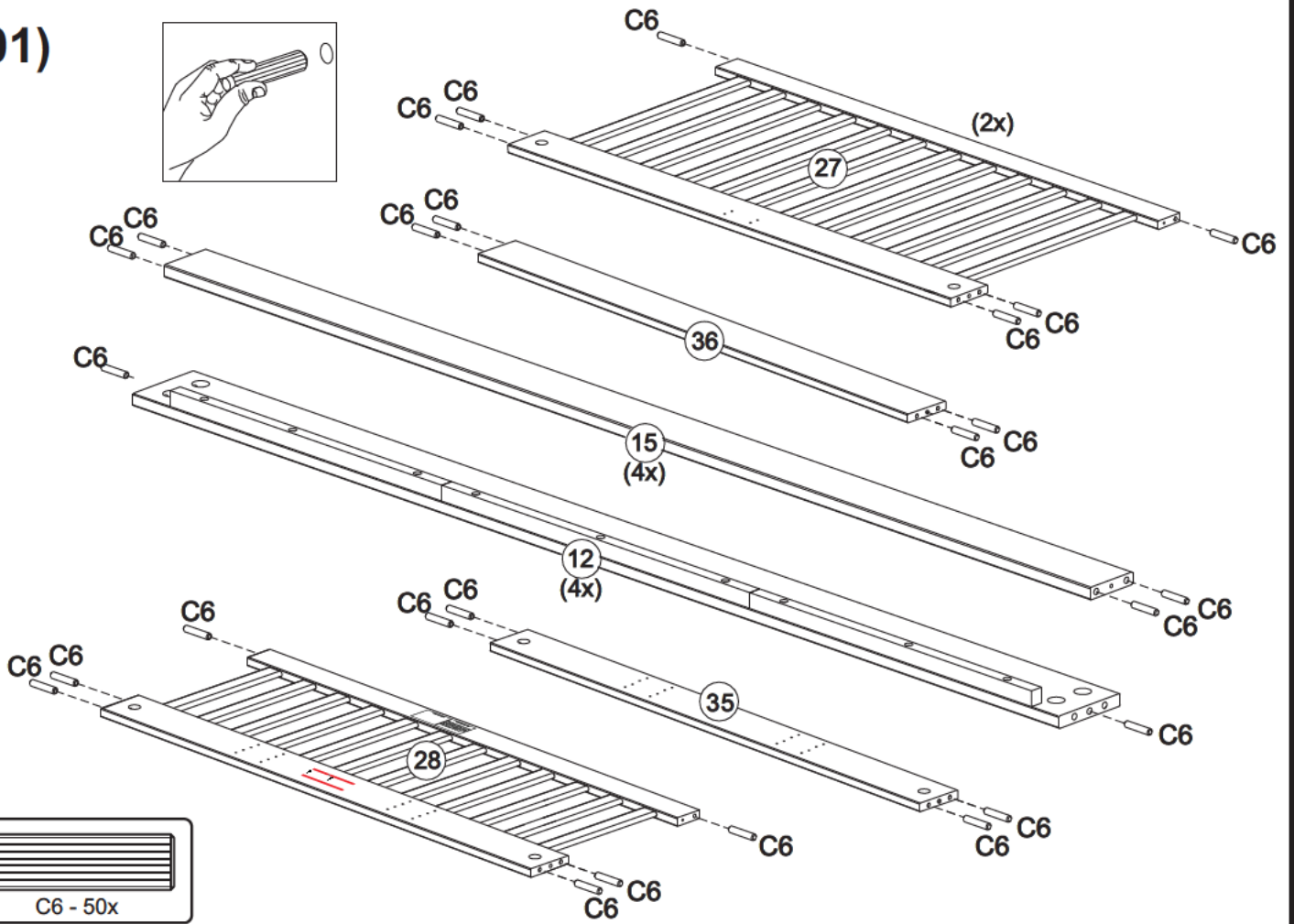
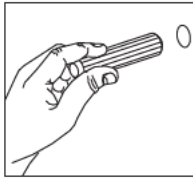
SCREWS ARE SHOWN IN ACTUAL SIZE

		Qty.	Extra
A5	 3,5x16	36	
A10	 3,5x30	89	
B5	 1/4"	24	+2
B7	 1/4"x110	24	+2
B16	 7,0x110	16	+2
C5	 15x90	4	
C6	 10x50	55	+2
D13		6	
G4	 space block	2	
G8		1	

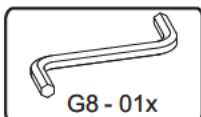
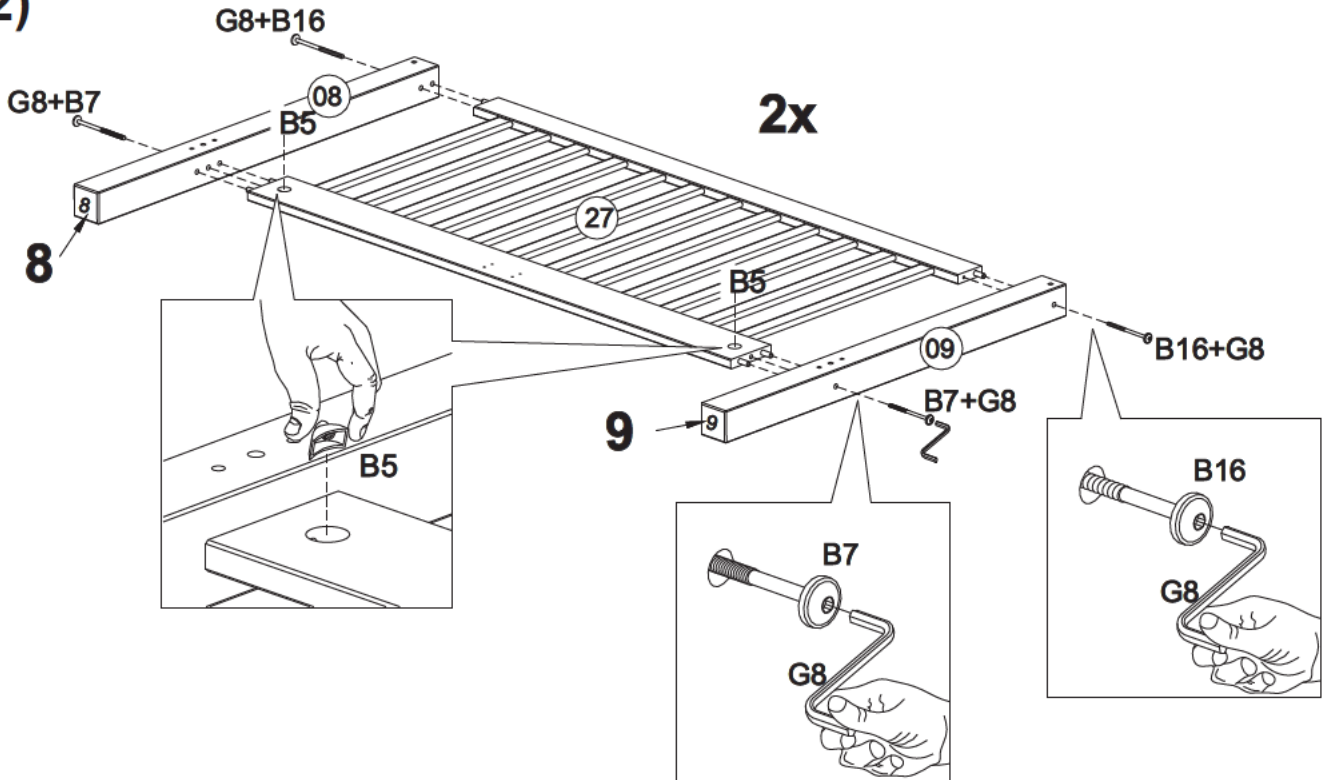
WARNING - CHOKING HAZARD

**To be Assembled by Adults only!
Small parts can be a choking hazard for children**

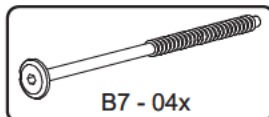
01)



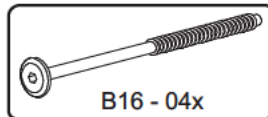
02)



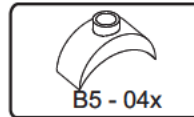
G8 - 01x



B7 - 04x

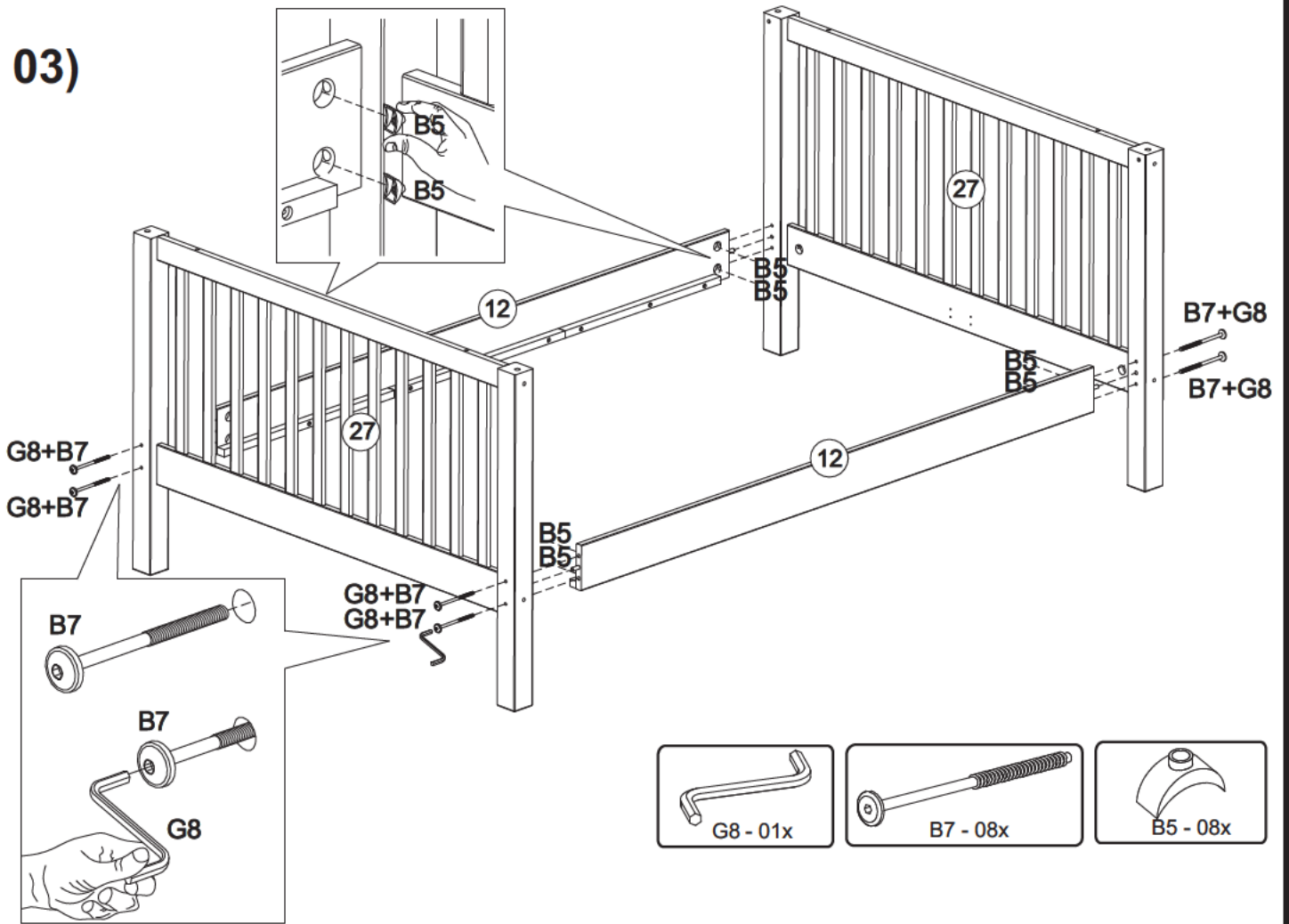


B16 - 04x

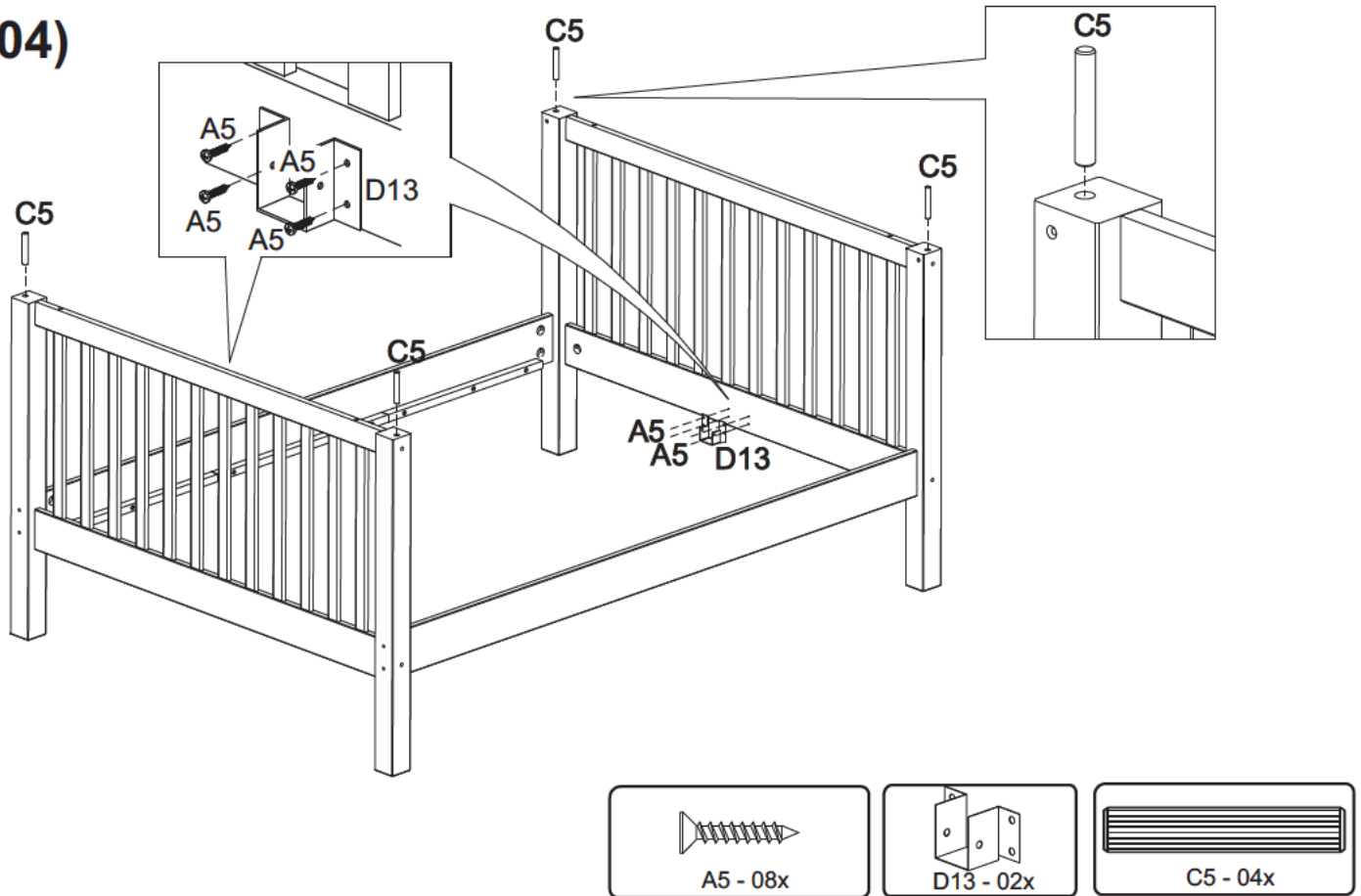


B5 - 04x

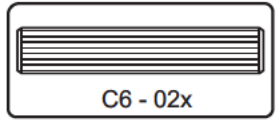
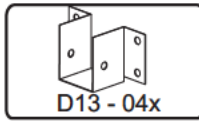
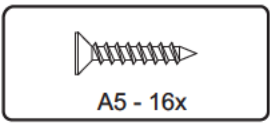
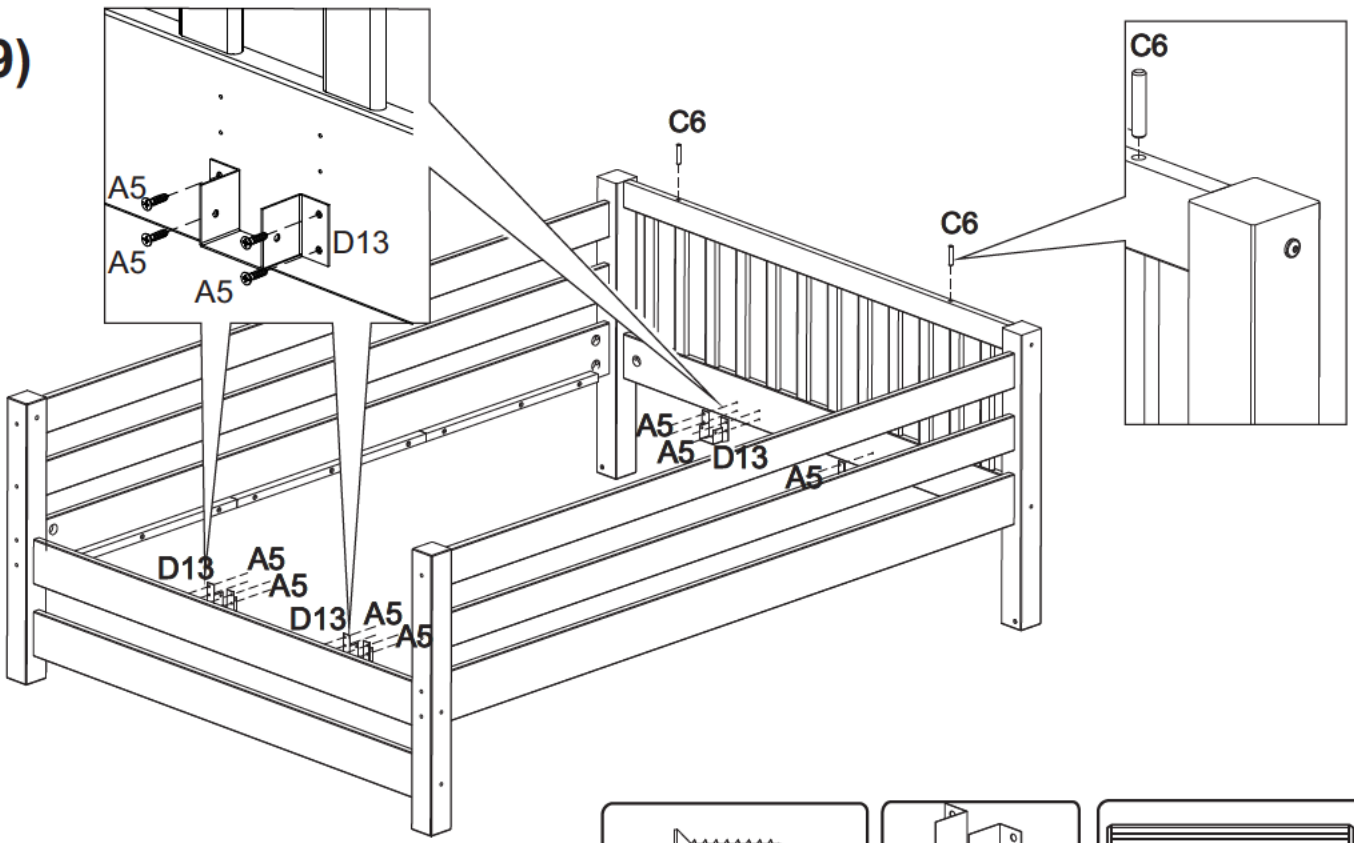
03)



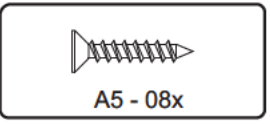
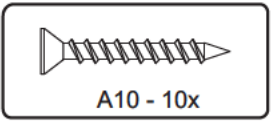
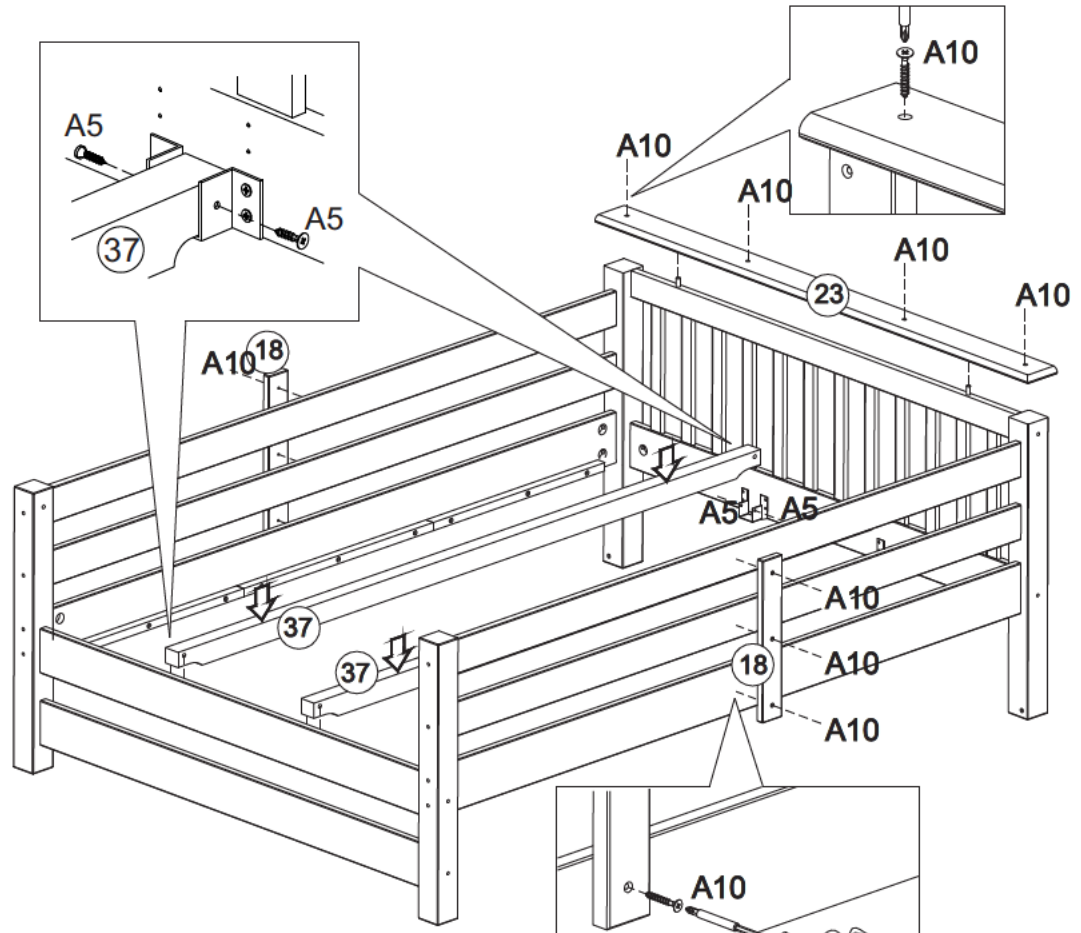
04)



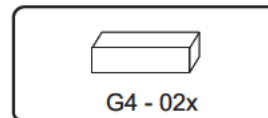
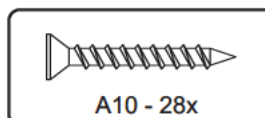
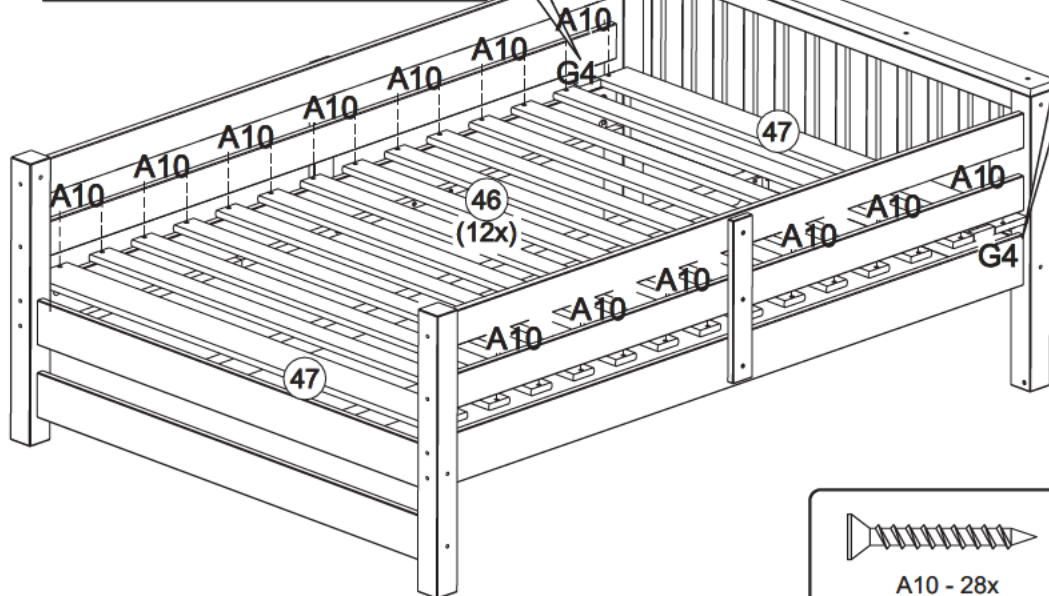
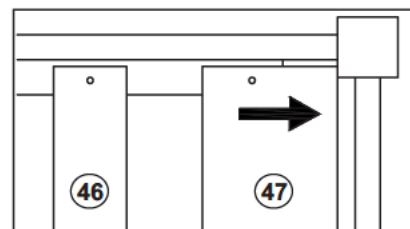
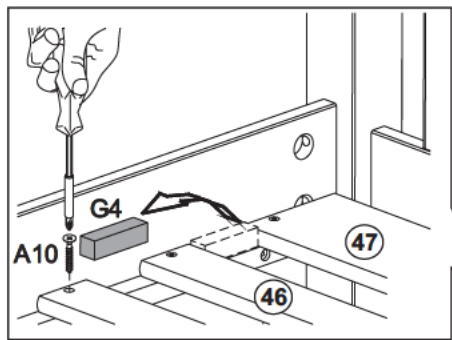
09)



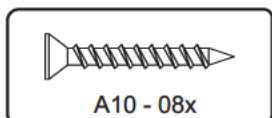
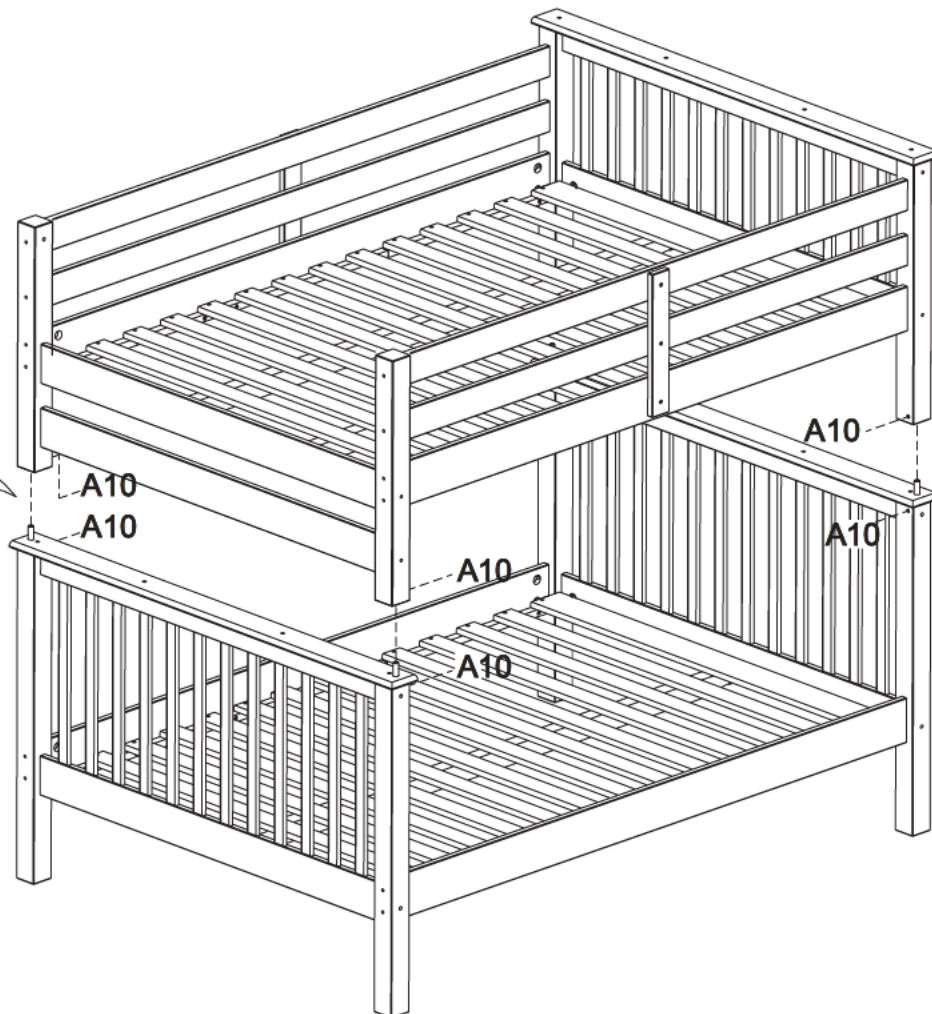
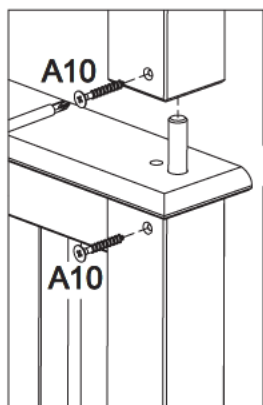
10)



11)

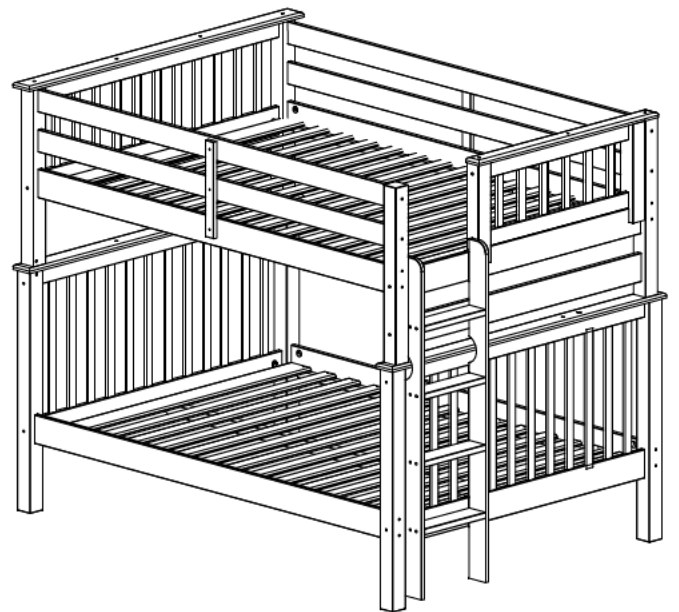
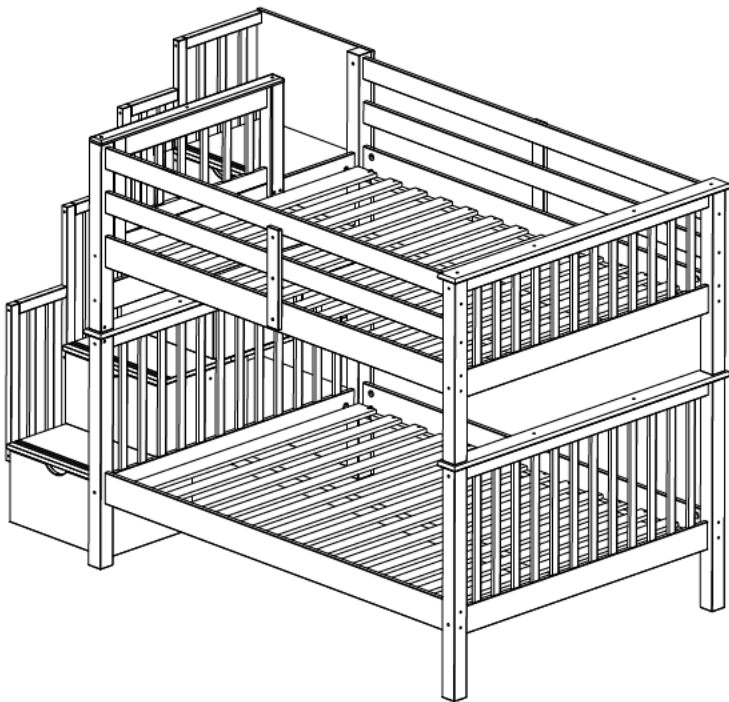
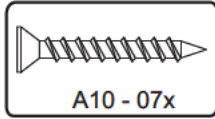
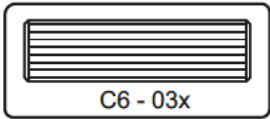
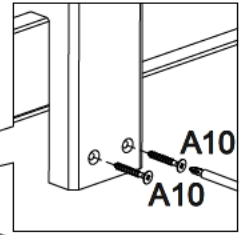
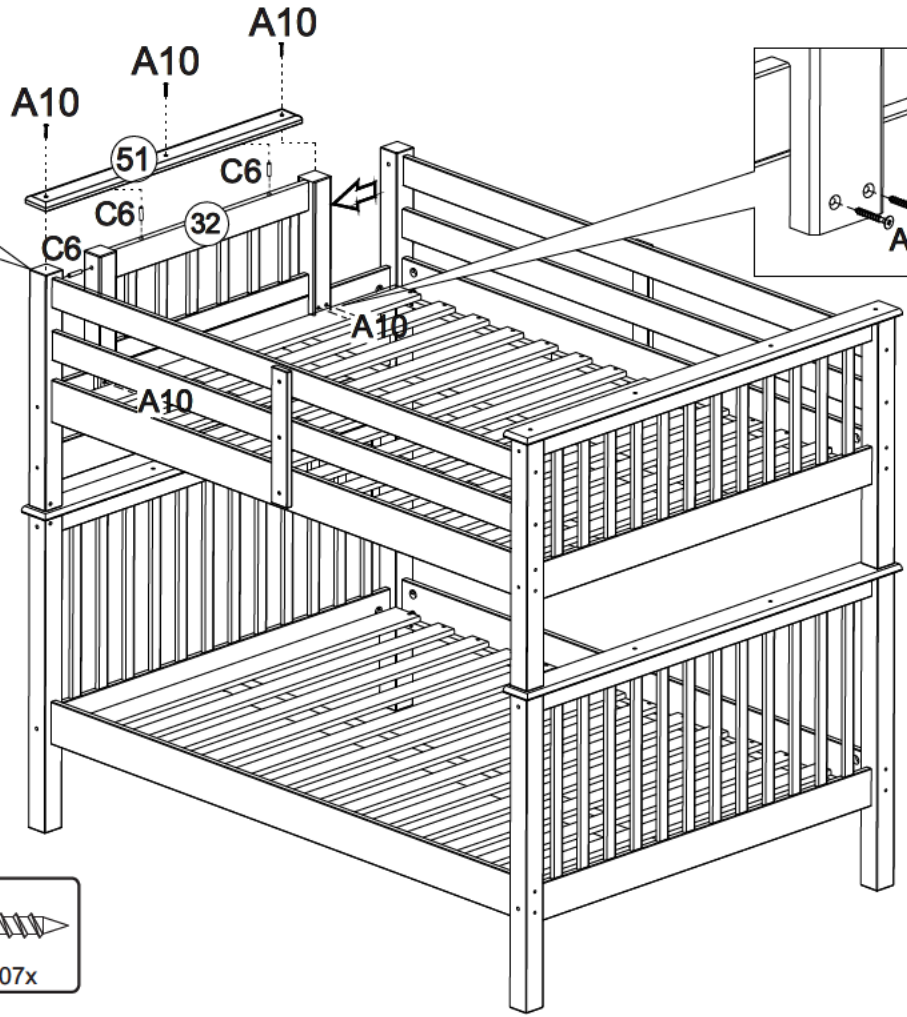
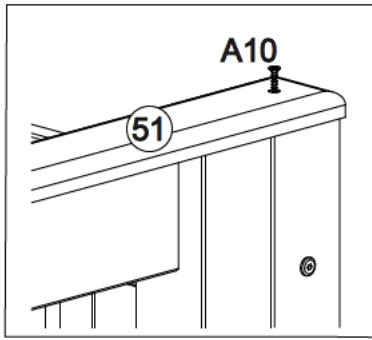


12)



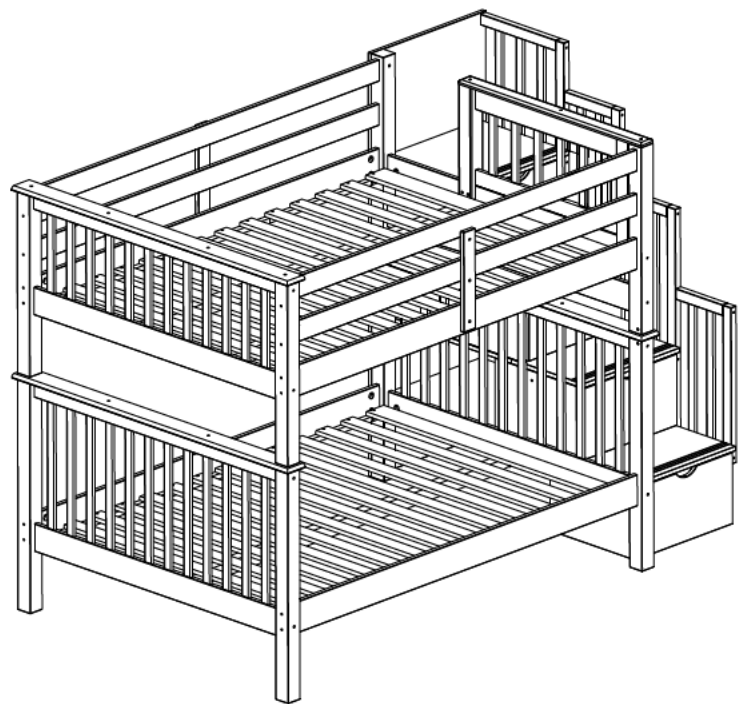
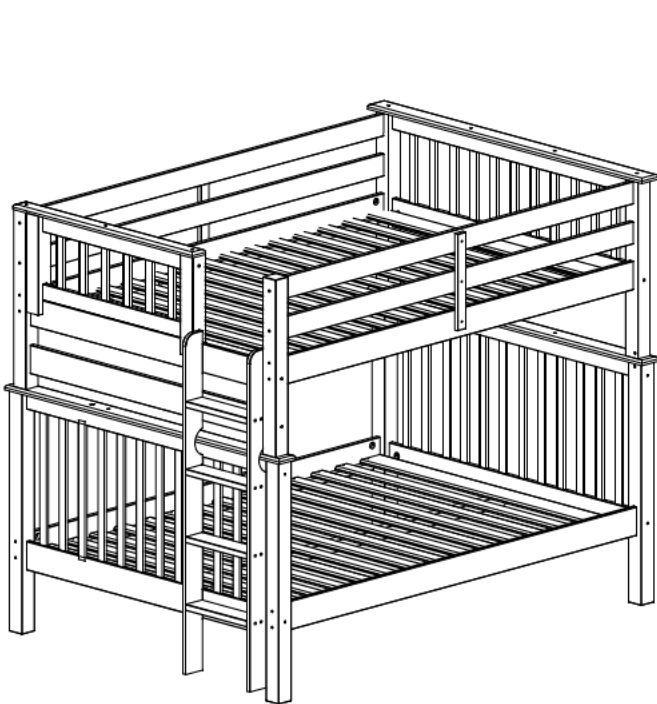
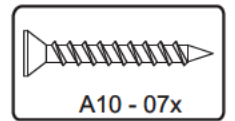
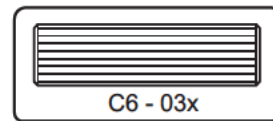
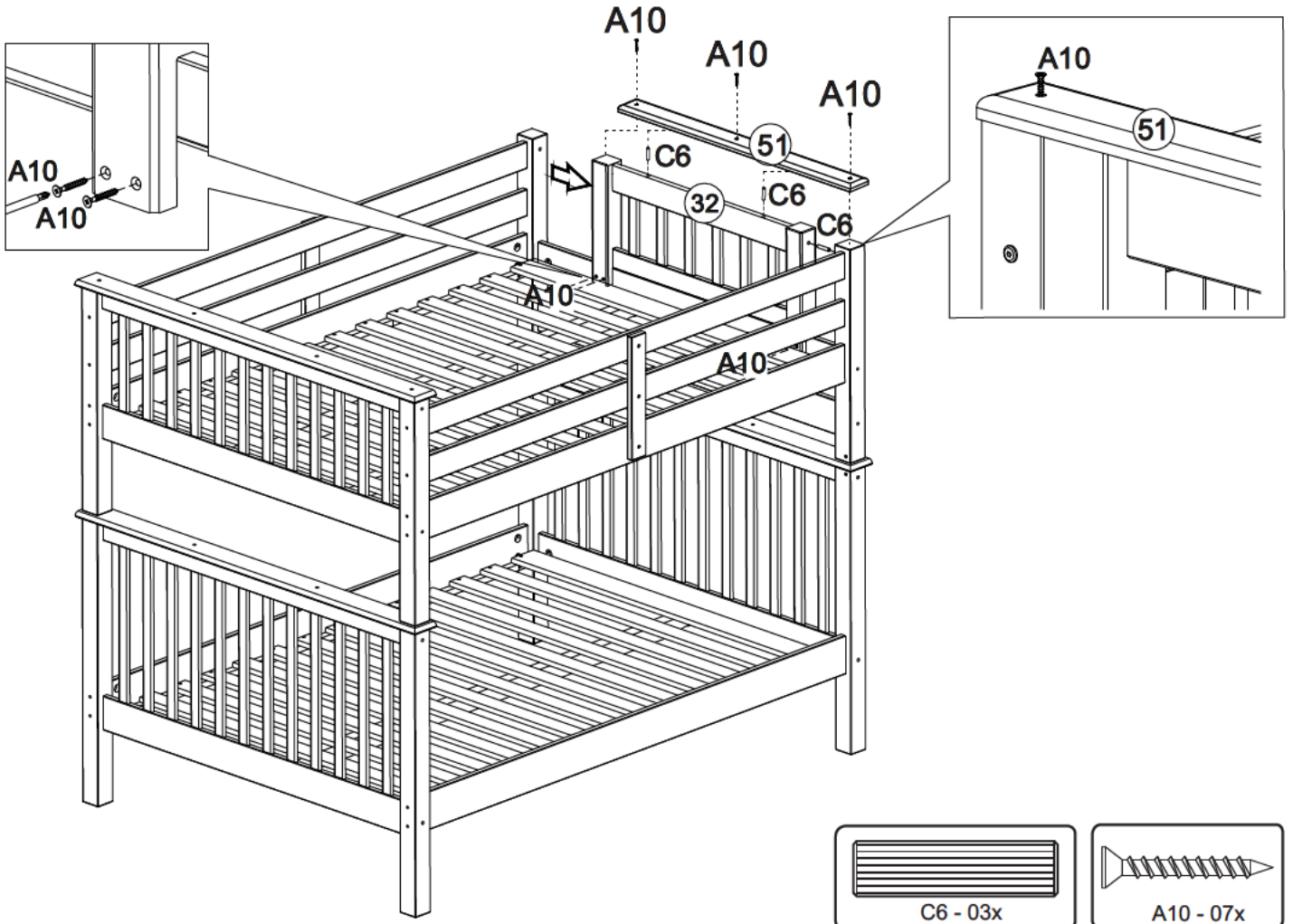
13)

Option: LEFT



14)

Option: RIGHT



BEDDING SPECIFICATION

- Always use the recommended size mattress or mattress support or both, to help prevent the likelihood of entrapment or falls.
- All Bedz King bunk beds are supplied with a complete slat kit, so there is no need for a foundation or bunkie board.

BED MATTRESS SPECIFICATIONS

Upper Bunk: Only use a mattress that is 74" - 75" long and 52 1/2" - 53 1/2" wide on the upper bunk.

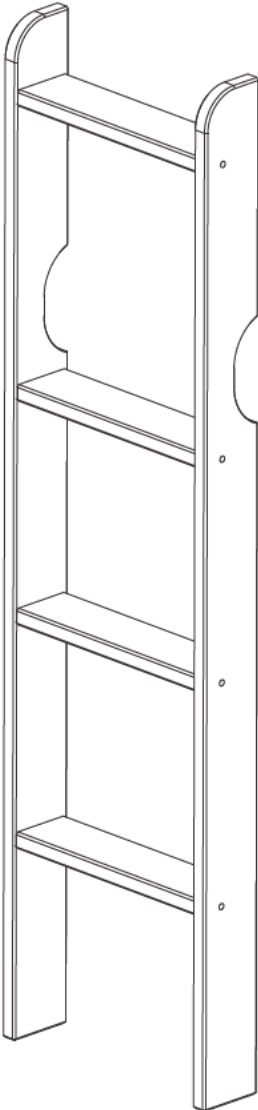
- Ensure thickness of mattress and foundation combined does not exceed 9".

Lower Bunk: Only use a mattress that is 74" - 75" long and 52 1/2" - 53 1/2" wide on the lower bunk.

ASSEMBLY TIPS

- Power tools are not recommended for assembling your furniture.
- Give yourself plenty of room to work.
- Due to the size of this bunkbed, it must be assembled within the space it will occupy.
- The assembly will require at least two people to complete.
- Make sure all the fasteners are tight.
- Take your time and read the instructions carefully.

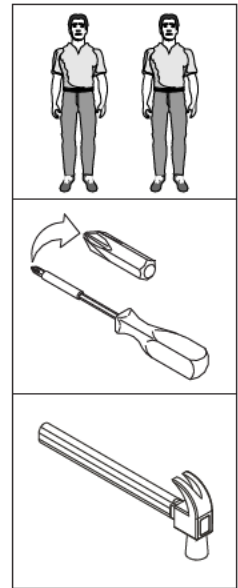
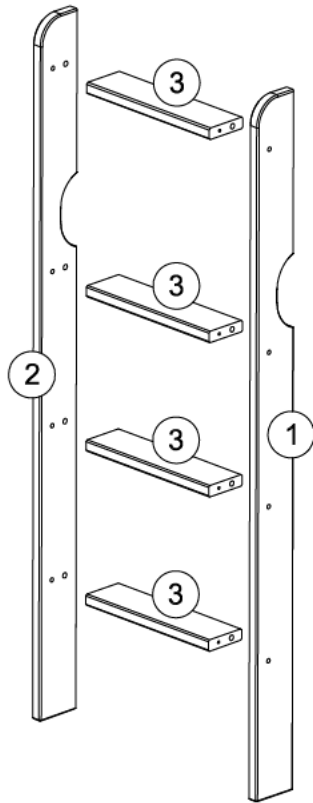
Bunk Bed End Ladder




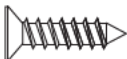
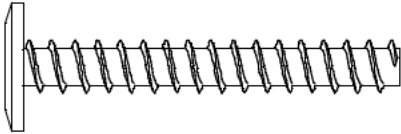

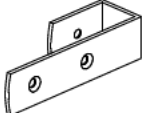
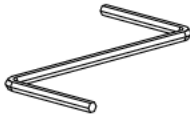

**READ THESE INSTRUCTIONS CAREFULLY BEFORE
ATTEMPTING TO ASSEMBLE THIS BED**

SAFETY WARNINGS AND GENERAL NOTES

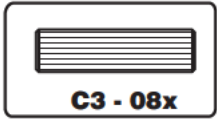
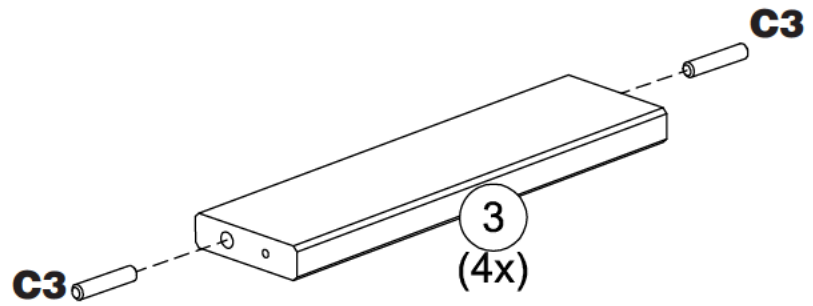
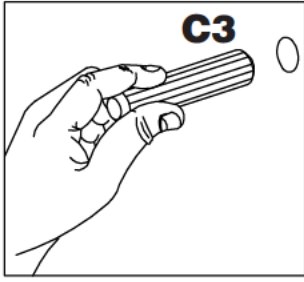
- ✓ Follow the information on the warning labels on the upper bunk bed structure and on the carton. Do not remove warning label from the bed.
- ✓ Always use the recommended size mattress or mattress support, or both, to help prevent the likelihood of entrapment or falls.
- ✓ The top surfaces of the mattress must be at least 5" below the upper edge of the guardrails.
- ✓ **Do not** allow children under 6 years of age to use the upper bunk.
- ✓ **Prohibit** more than one person on the upper bunk.
- ✓ Periodically check and ensure that the guardrails, ladder and other components are in their proper position, free from damage, and that all connectors are tight.
- ✓ **Do not** allow horseplay on or under the bed. Always prohibit jumping on the bed.
- ✓ Always use the ladder for entering and leaving the upper bunk.
- ✓ **Do not** use substitute parts. Contact the manufacturer or dealer for replacement parts.
- ✓ Use of a night-light may provide added safety for a child using the upper bunk.
- ✓ If the bunk bed will be placed next to the wall, the guardrail that runs the full length of the bed should be placed against the wall to prevent entrapment between the bed and the wall.
- ✓ Always use guardrails on both long sides of the upper bunk.
- ✓ The use of a water or sleep floatation mattress is prohibited.
- ✓ Keep these instructions for future reference.
- ✓ We recommend assembling your bunk bed on the shipping carton to protect your floor or carpet. Be certain all staples are out of the box before beginning assembly on the shipping carton.
- ✓ **Strangulation Hazard** Never attach or hang items to any part of the bunk bed that are not designed for use with the bed for example, but not limited to hooks, belts, and jump ropes.



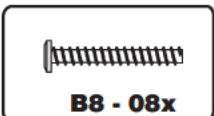
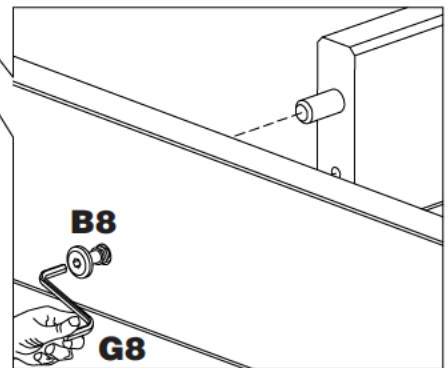
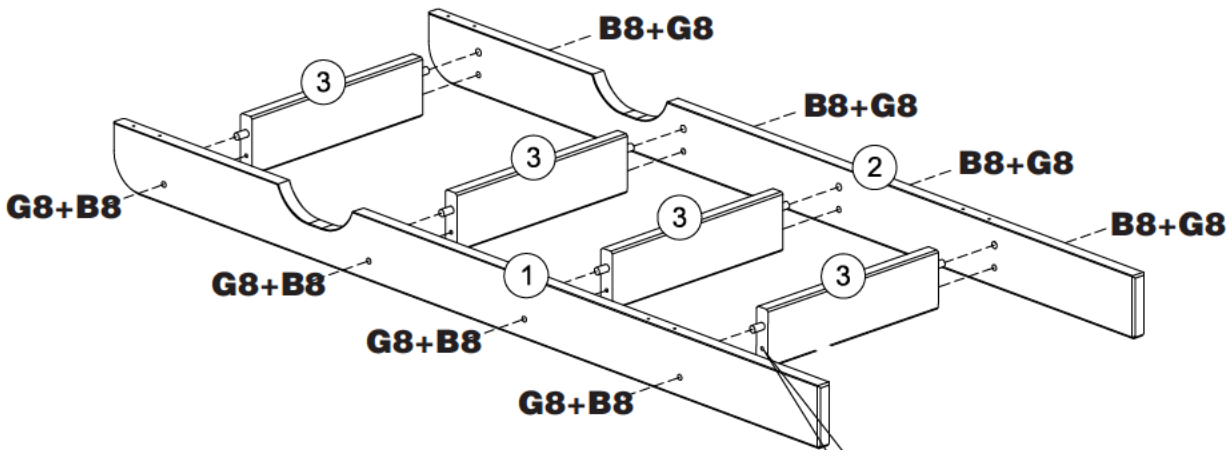
SCREWS ARE SHOWN IN ACTUAL SIZE

		Qty.	Extra
A10	 3,5x30	8	
A22	 4,0x16	4	
B8	 7,0x50	8	+1
C3	 10x40	8	+1
D14		4	
G8		1	
G9		4	

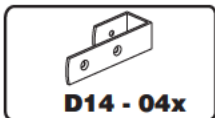
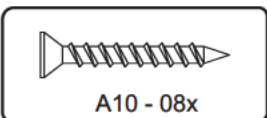
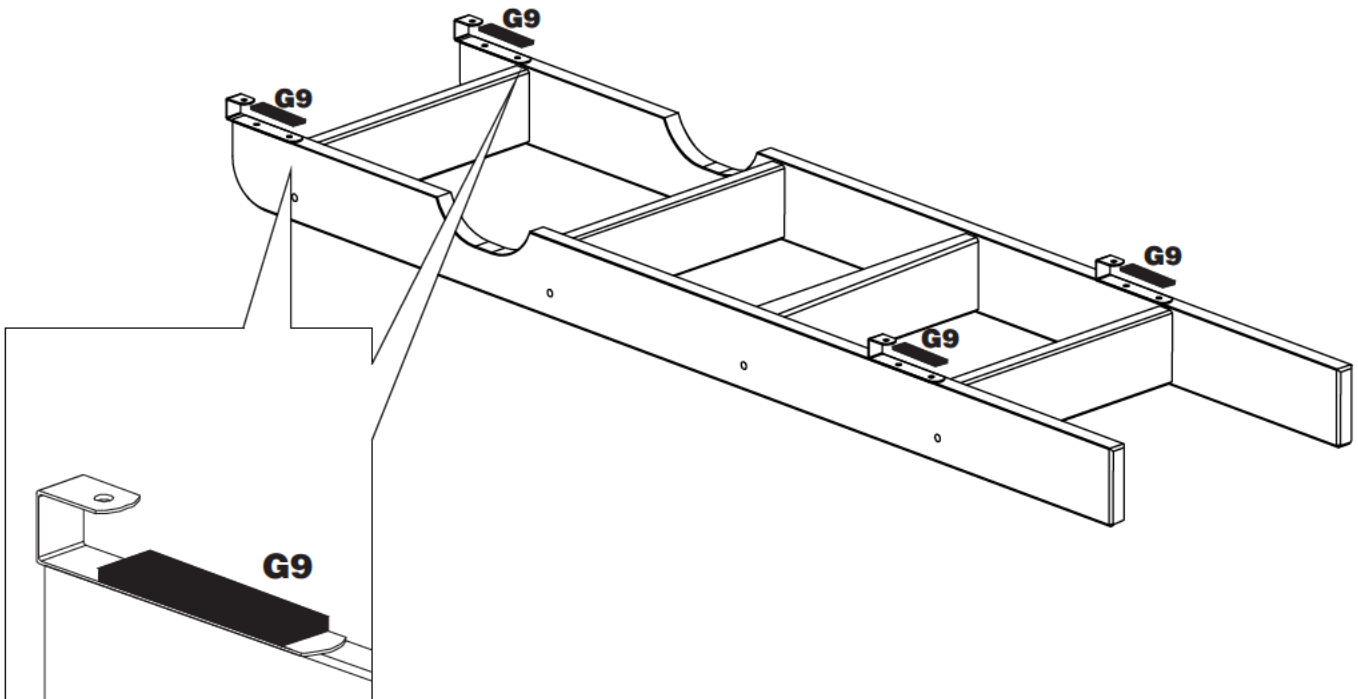
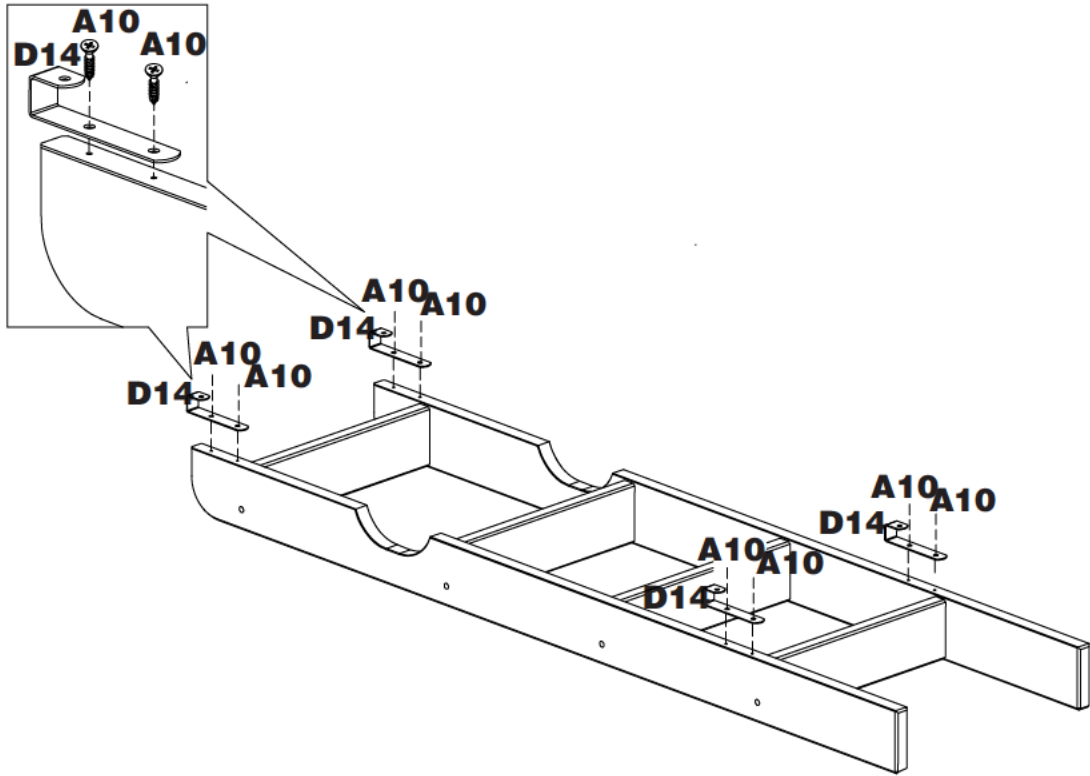
01



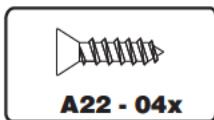
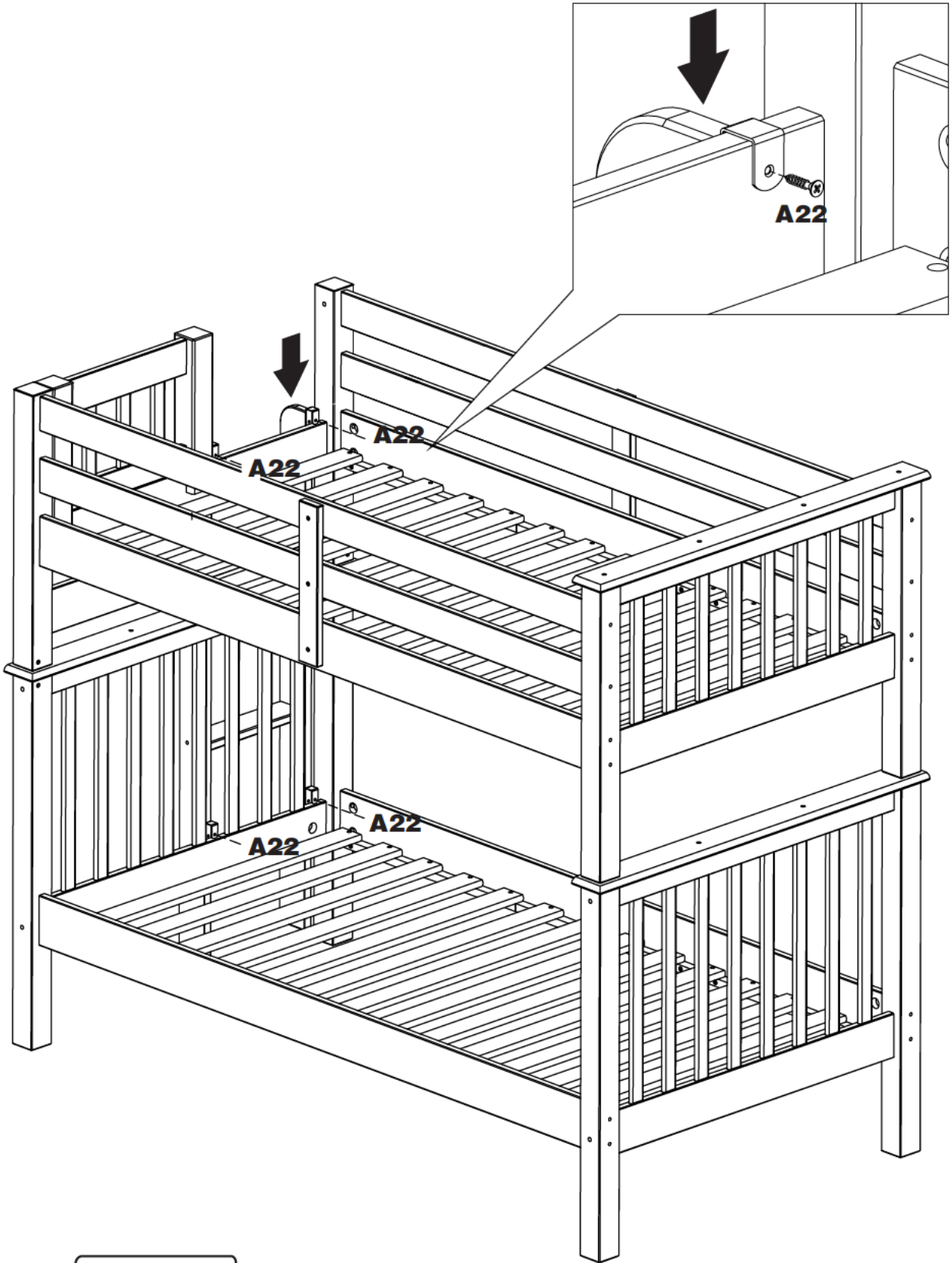
02



03



04



BEDDING SPECIFICATION

- Always use the recommended size mattress or mattress support or both, to help prevent the likelihood of entrapment or falls.
- All bunk beds are supplied with a complete slat kit, so there is no need for a foundation or bunkie board.

BED MATTRESS SPECIFICATIONS

TWIN OVER TWIN

Upper Bunk: Only use a mattress that is 74" - 75" long and 37 1/2" - 38 1/2" wide on the upper bunk.

- Ensure thickness of mattress and foundation combined does not exceed 9".

Lower Bunk: Only use a mattress that is 74" - 75" long and 37 1/2" - 38 1/2" wide on the lower bunk.

TWIN OVER FULL

Upper Bunk: Only use a mattress that is 74" - 75" long and 37 1/2" - 38 1/2" wide on the upper bunk.

- Ensure thickness of mattress and foundation combined does not exceed 9".

Lower Bunk: Only use a mattress that is 74" - 75" long and 52 1/2" - 53 1/2" wide on the lower bunk.

FULL OVER FULL

Upper Bunk: Only use a mattress that is 74" - 75" long and 52 1/2" - 53 1/2" wide on the upper bunk.

- Ensure thickness of mattress and foundation combined does not exceed 9".

Lower Bunk: Only use a mattress that is 74" - 75" long and 52 1/2" - 53 1/2" wide on the lower bunk.

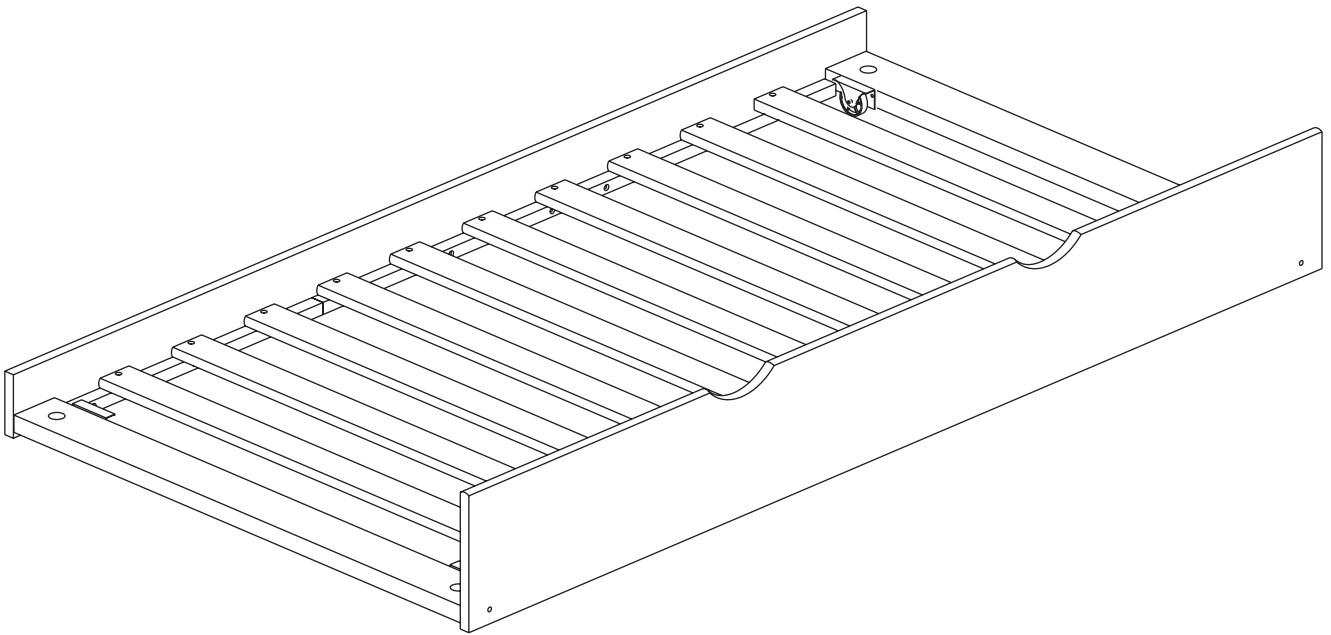
REPLACEMENT PARTS

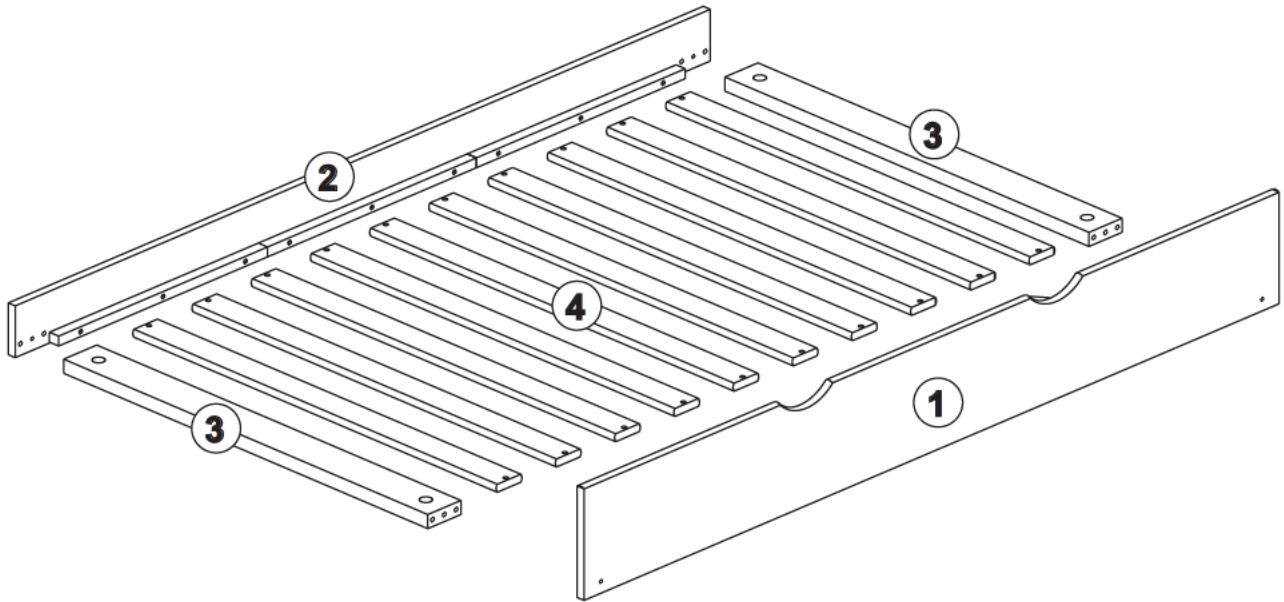
- Guard rails are not available for the lower bunk. This bunk bed is not designed or certified to have guard rails installed on the lower bunk.

ASSEMBLY TIPS

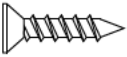
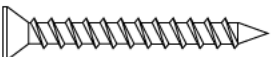

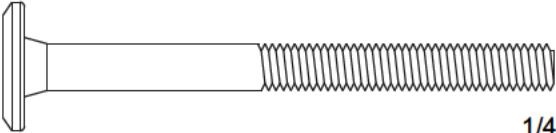

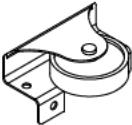
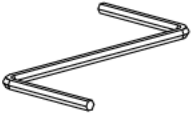

- Power tools are not recommended for assembling your furniture.
- Give yourself plenty of room to work.
- Due to the size of this bunkbed, it must be assembled within the space it will occupy.
- The assembly will require at least two people to complete.
- Make sure all the fasteners are tight.
- Take your time and read the instructions carefully.

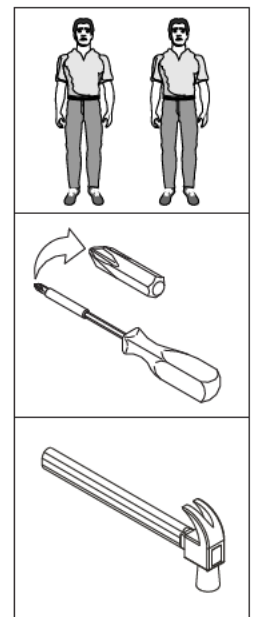
Twin Trundle





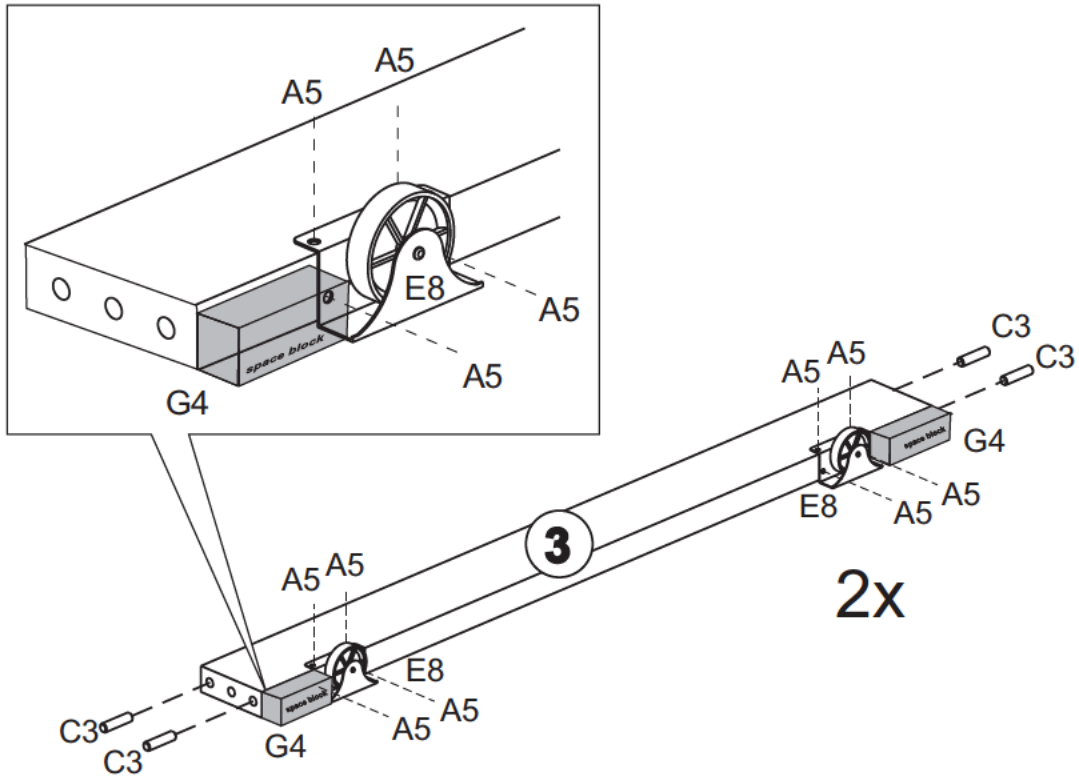
SCREWS ARE SHOWN IN ACTUAL SIZE

			Qty.	Extra
A5		3,5x16	16	
A12		4,0x35	20	
B5		1/4"	4	+1
B18		1/4"x70	4	
C3		10x40	8	+1
E8			4	
G3			1	
G4			2	

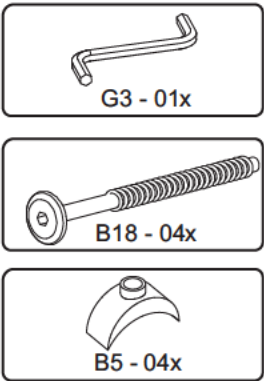
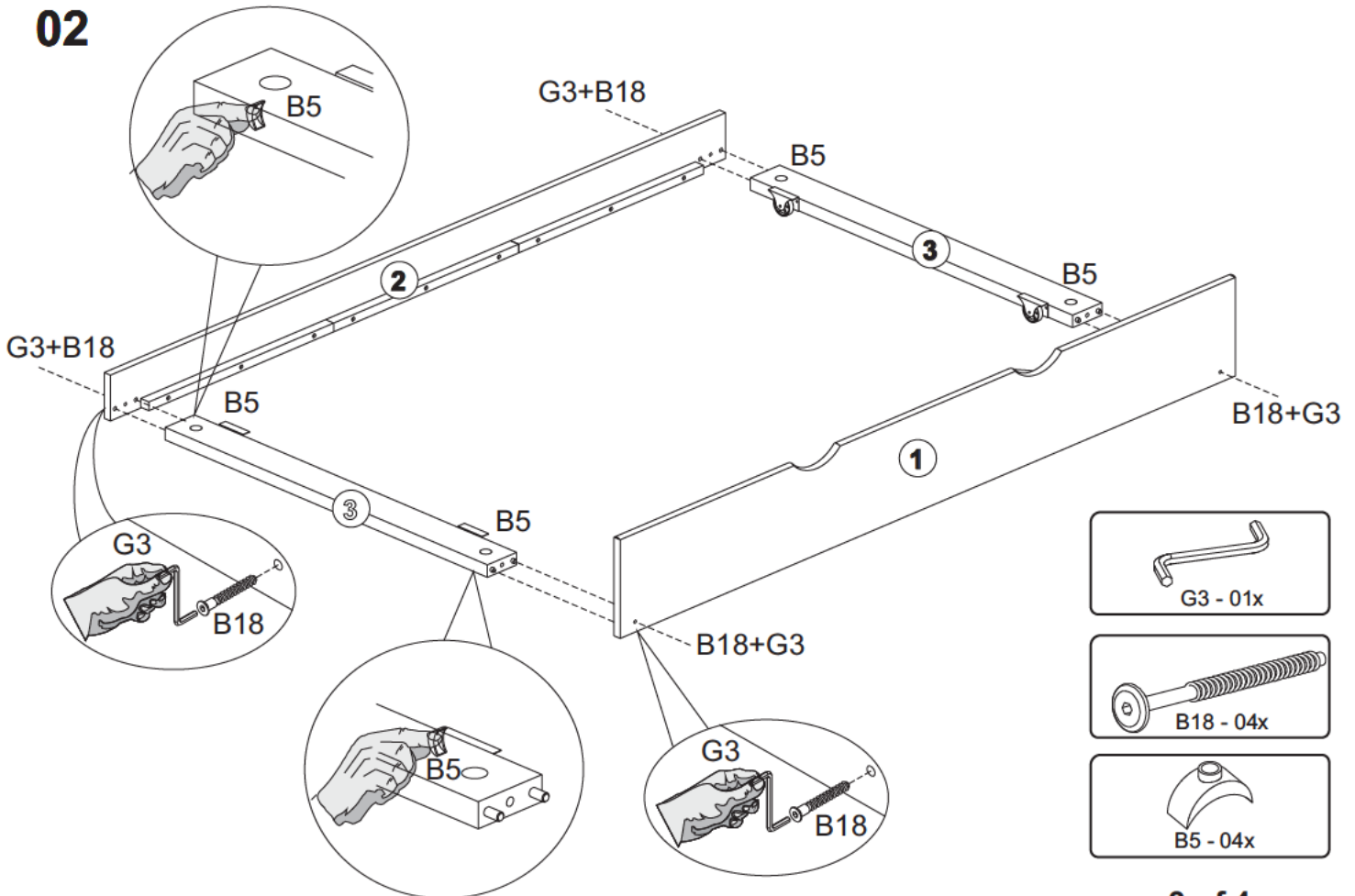


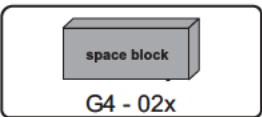
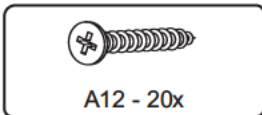
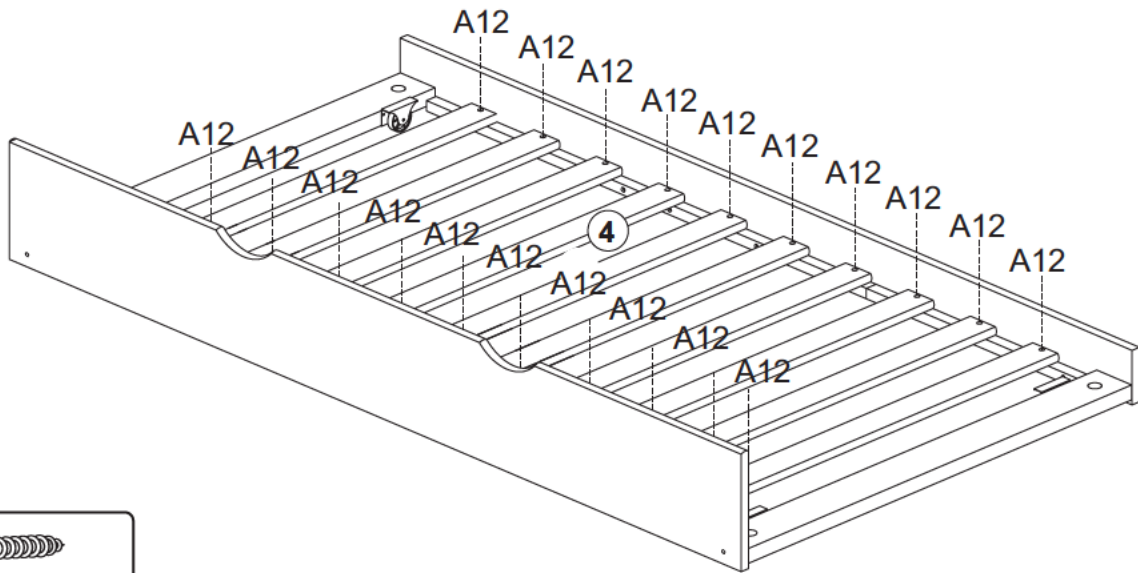
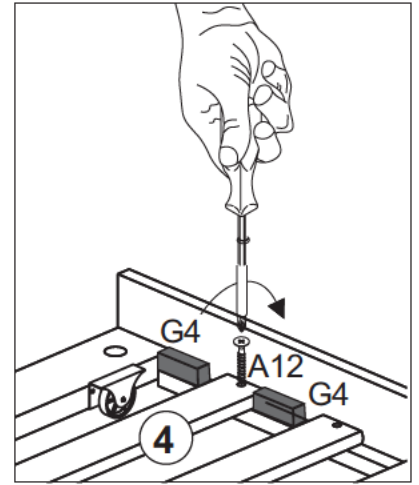
WARNING - CHOKING HAZARD
To be Assembled by Adults only!

01

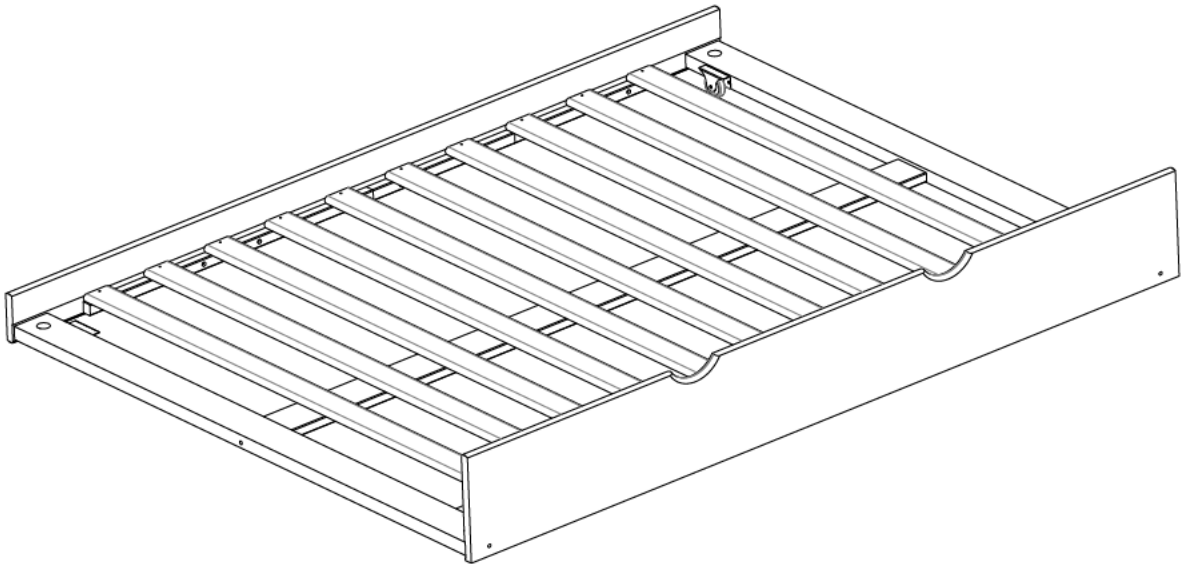


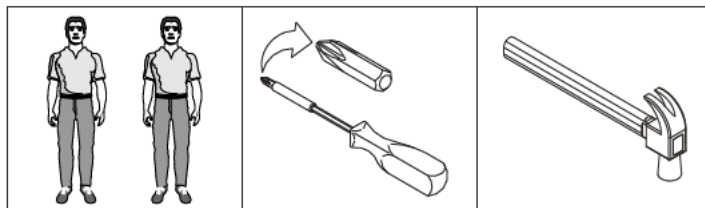
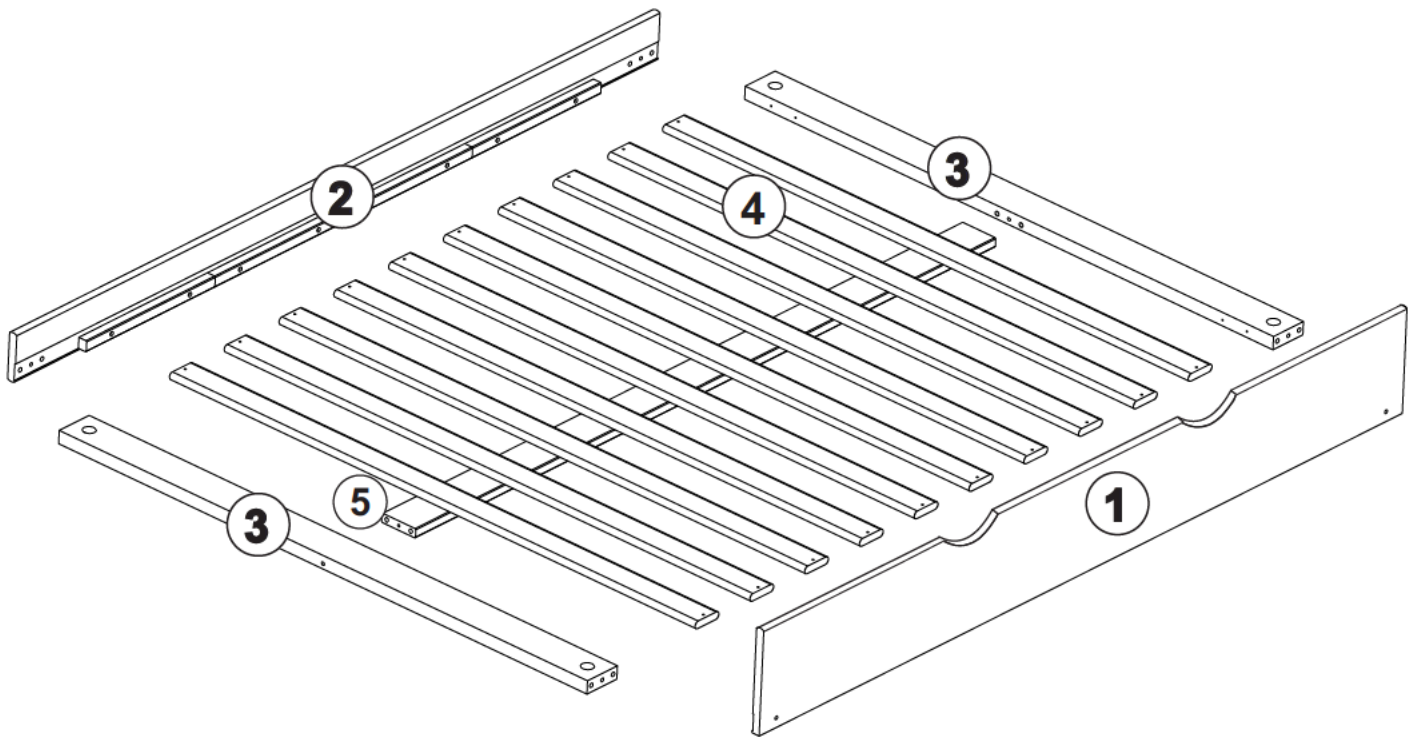
02



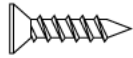


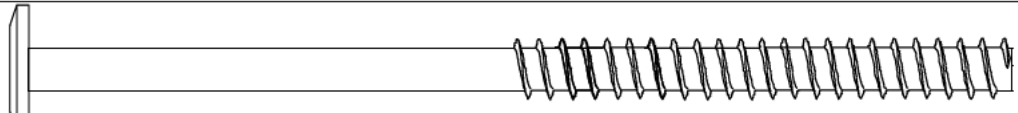
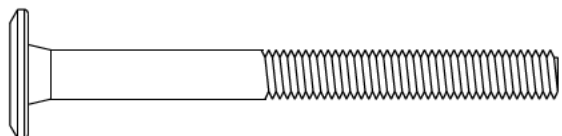

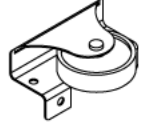
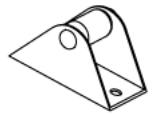
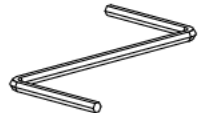



Full Trundle





SCREWS ARE SHOWN IN ACTUAL SIZE

			Qty.	Extra
A5		3,5x16	20	
A12		4,0x35	20	
B5		1/4"	4	+1
B11/B		7,0x130	2	
B18		1/4"x70	4	
C3		10x40	12	+1
E8			4	
E9			2	
G3			1	
G4			2	

WARNING - CHOKING HAZARD

To be Assembled by Adults only!
Small parts can be a choking hazard for children

