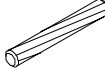
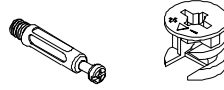


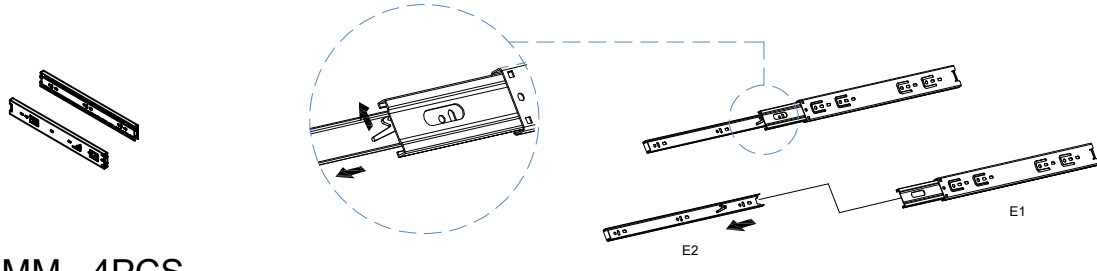
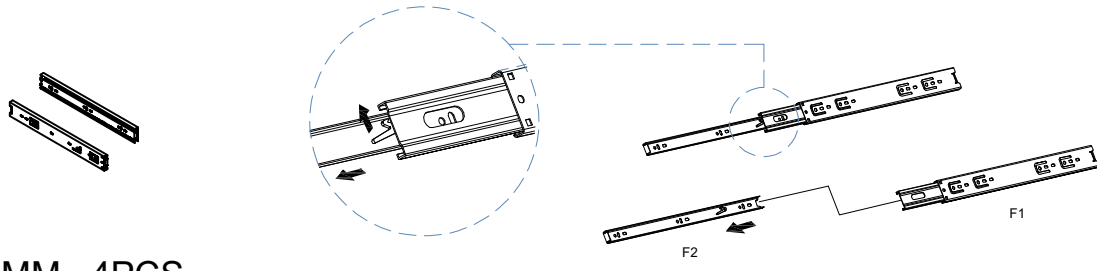
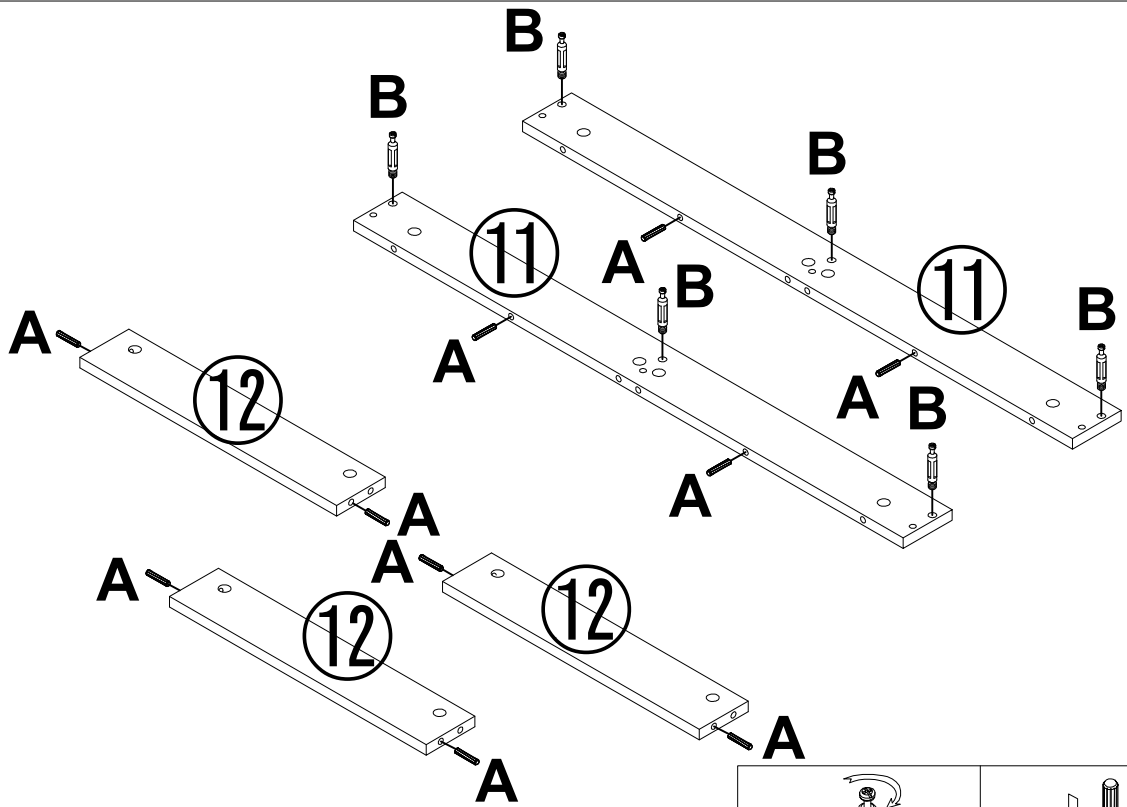
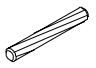

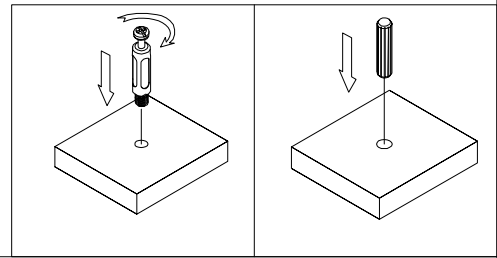


<b>A</b>  Ø8*40 38PCS	<b>B</b>  Ø5*40 70PCS	<b>C</b>  Ø3.5*14 32PCS	<b>D</b>  Ø3.5*35 8PCS
<b>E</b>  200MM 4PCS			
<b>F</b>  300MM 4PCS			

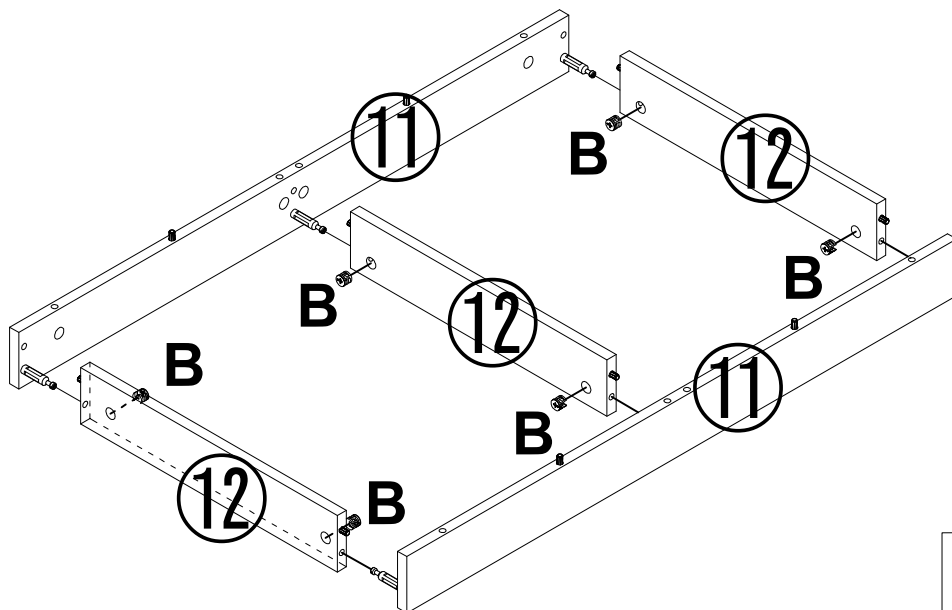
# STEP1



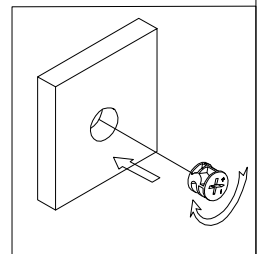
	Ax10PCS
	Bx6PCS



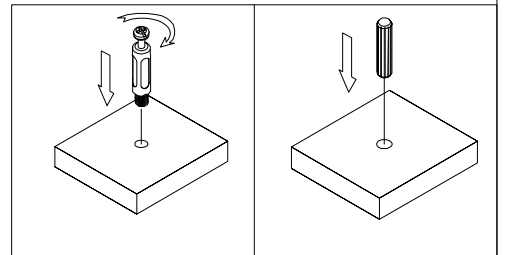
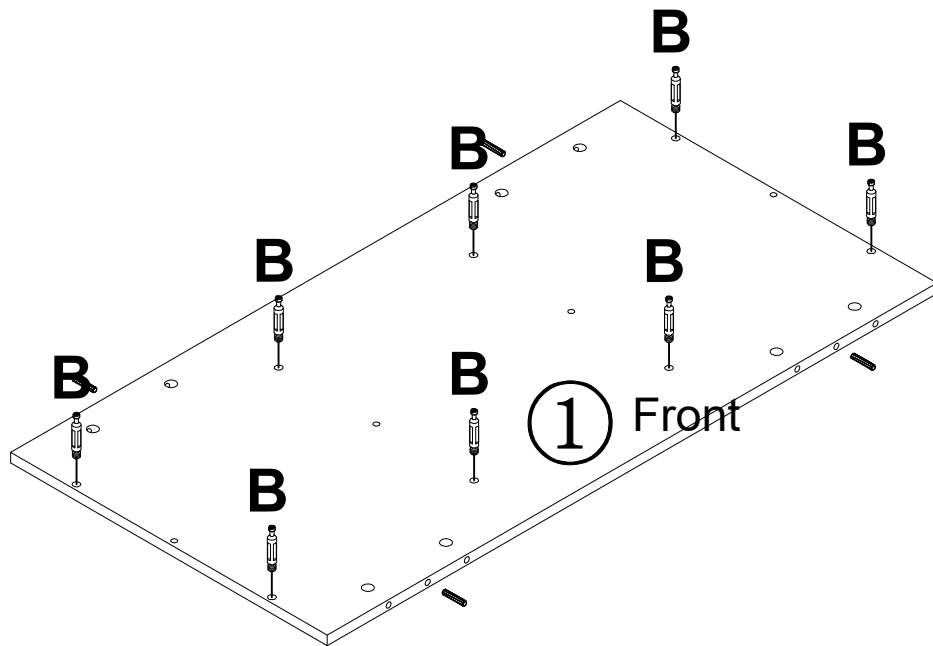
# STEP2

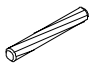



	Bx6PCS
---	--------

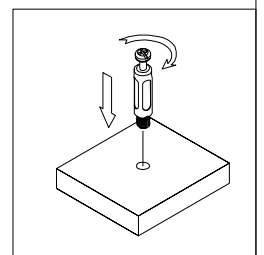
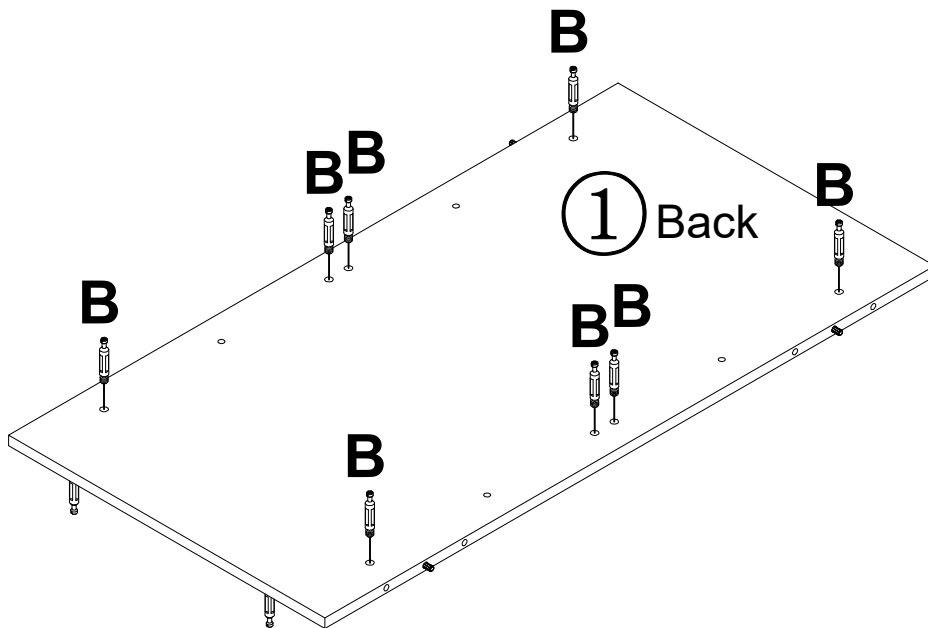



### STEP3



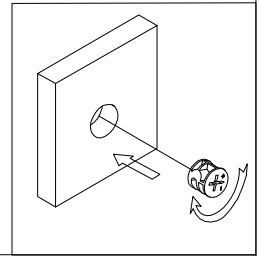
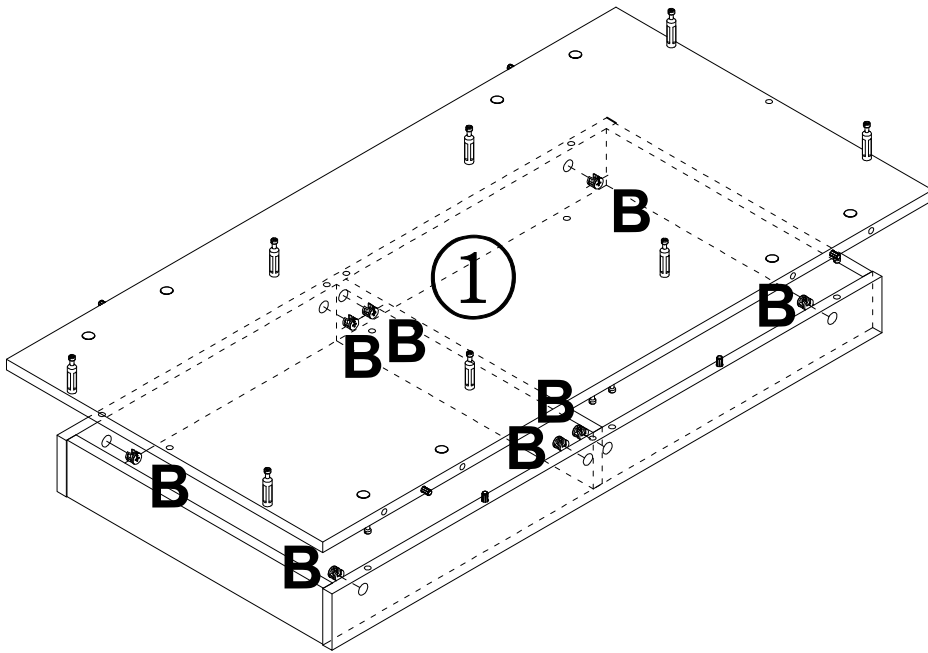
	Ax4PCS
	Bx8PCS

### STEP4



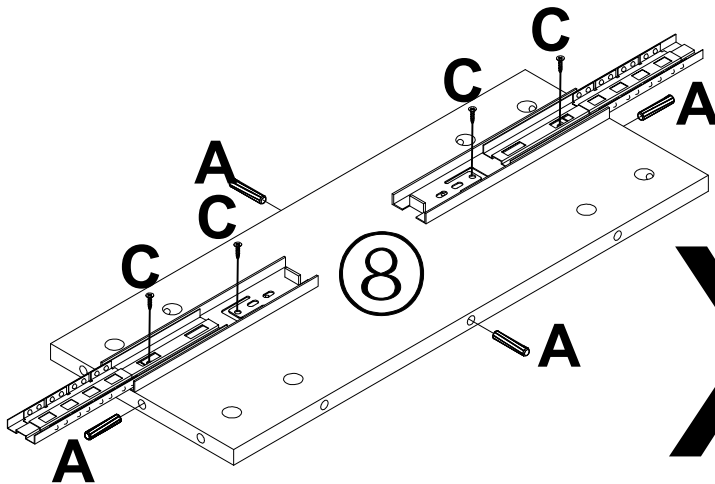
	Bx8PCS
---	--------

# STEP5



Bx8PCS

# STEP6



# X2



Second Hole  
Last Third Hole



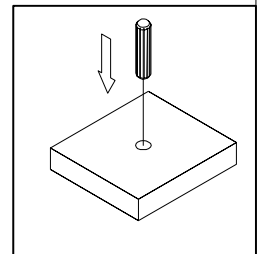
Ax8PCS



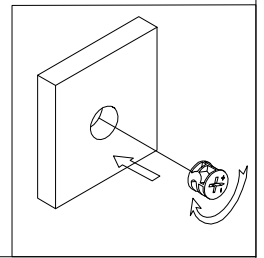
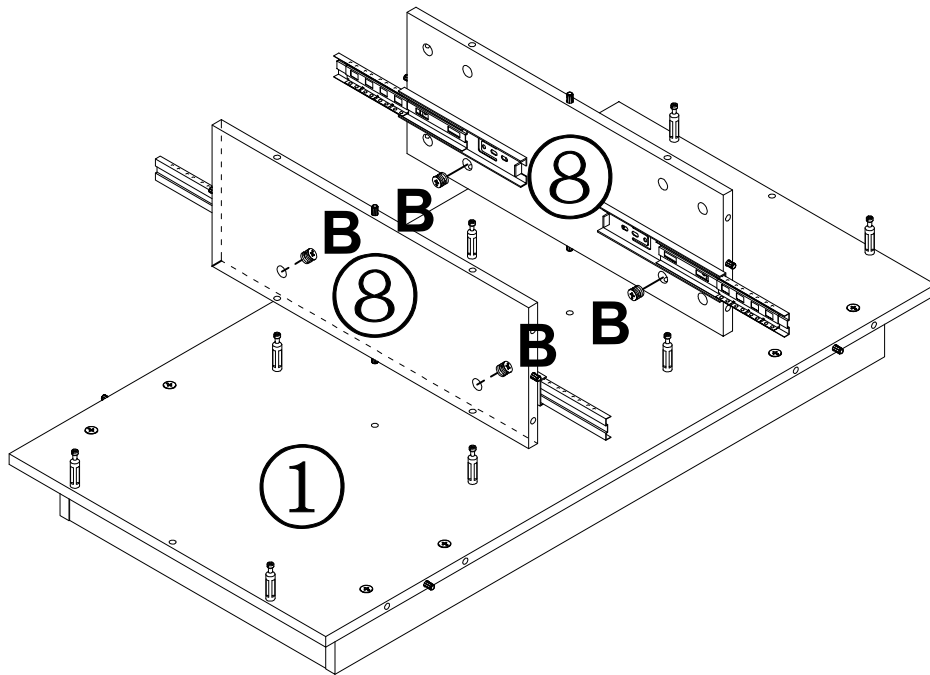
Cx8PCS



E1x4PCS

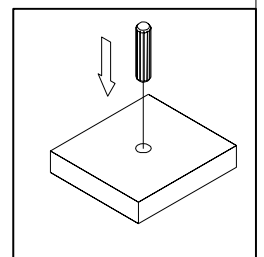
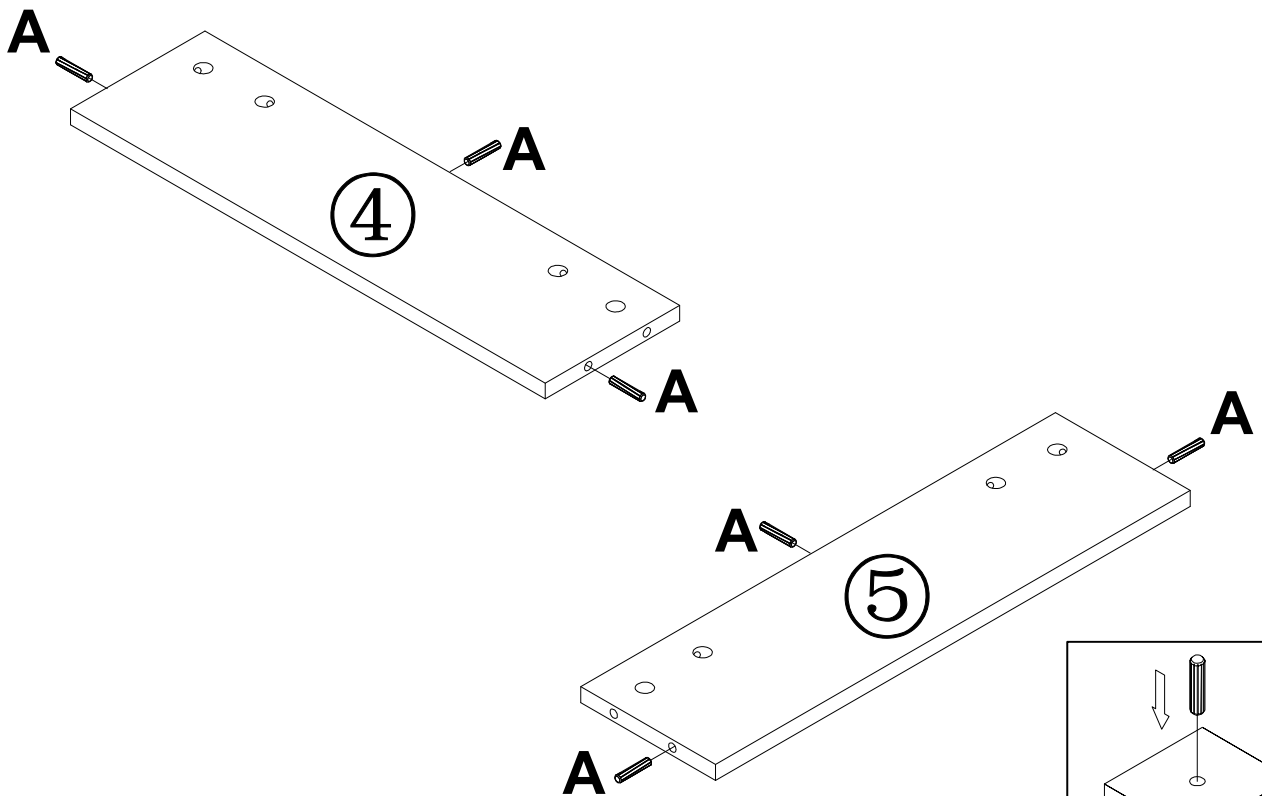


# STEP7



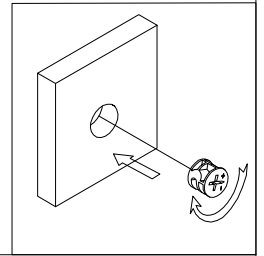
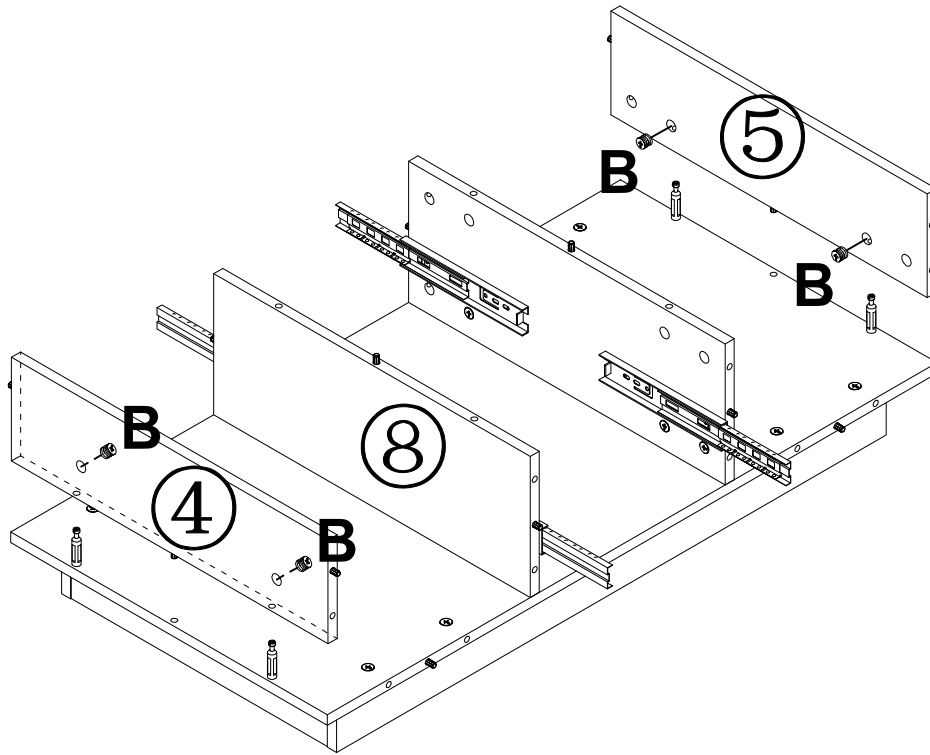
Bx4PCS

# STEP8



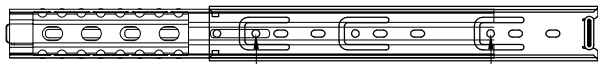
Ax6PCS

# STEP9

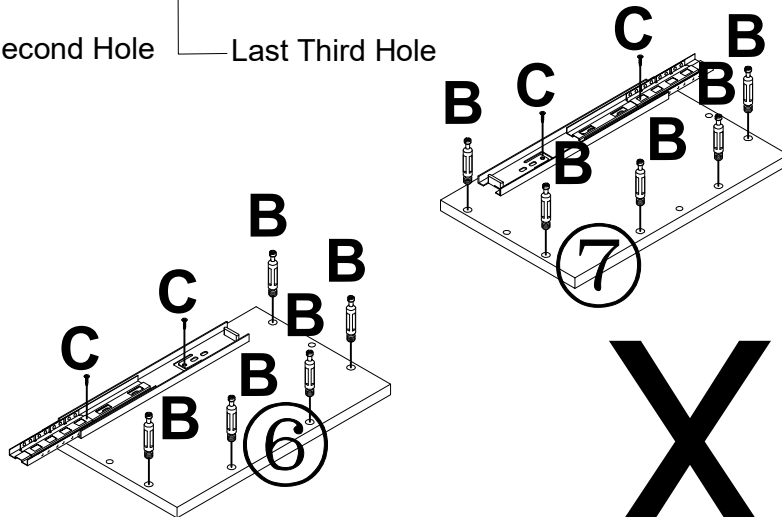


Bx4PCS

# STEP10



Second Hole      Last Third Hole



# X2



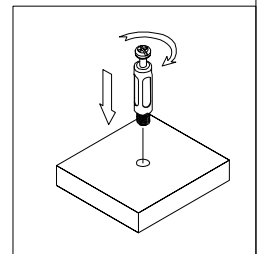
Bx20PCS



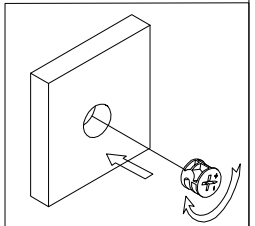
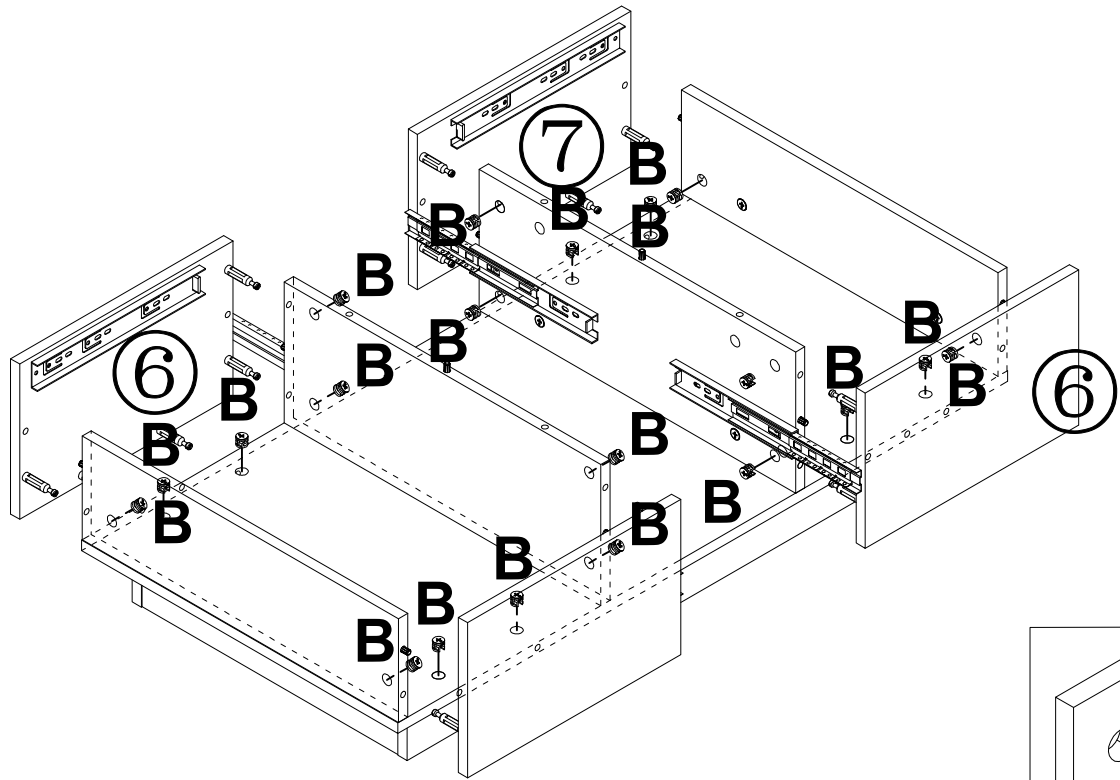
Cx8PCS



F1x4PCS

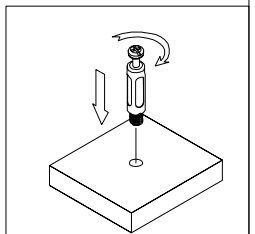
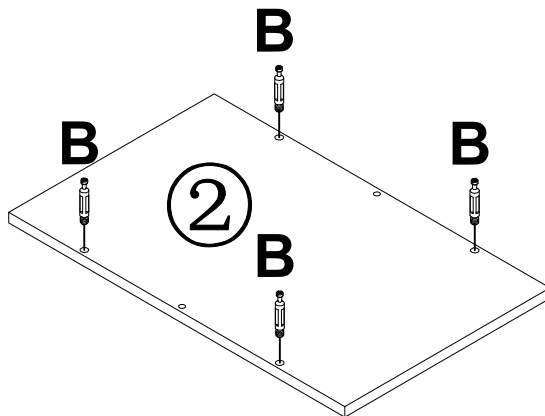


# STEP11



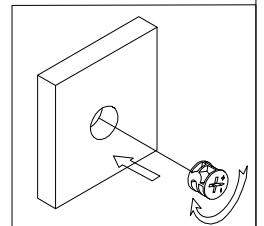
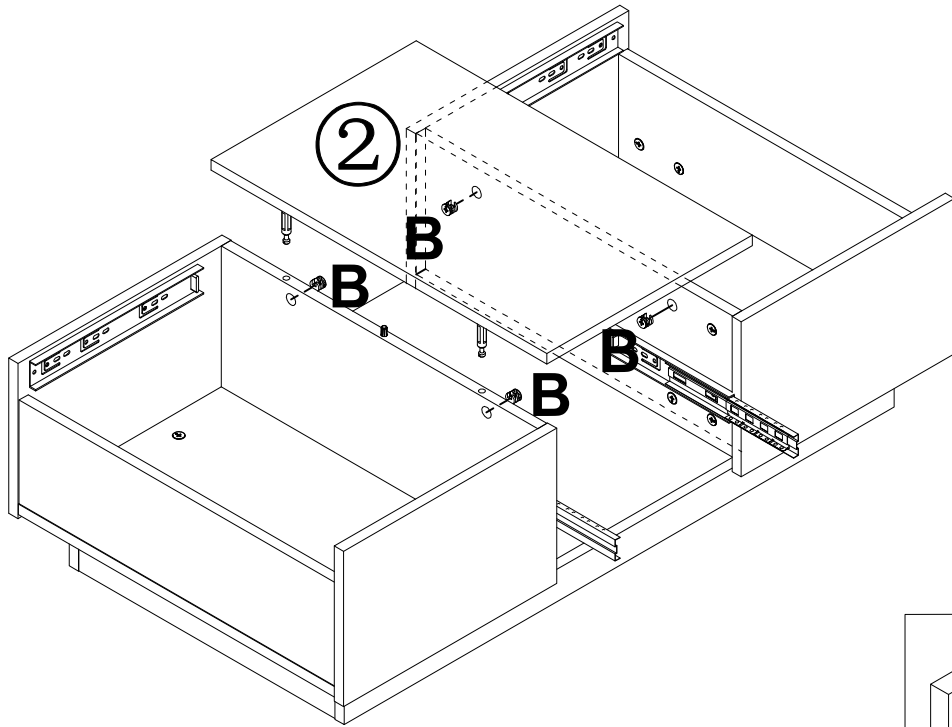
Bx20PCS

# STEP12



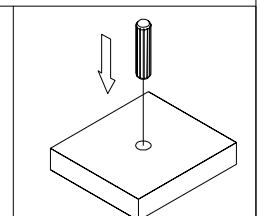
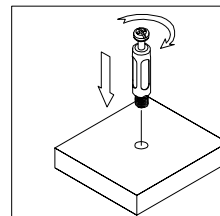
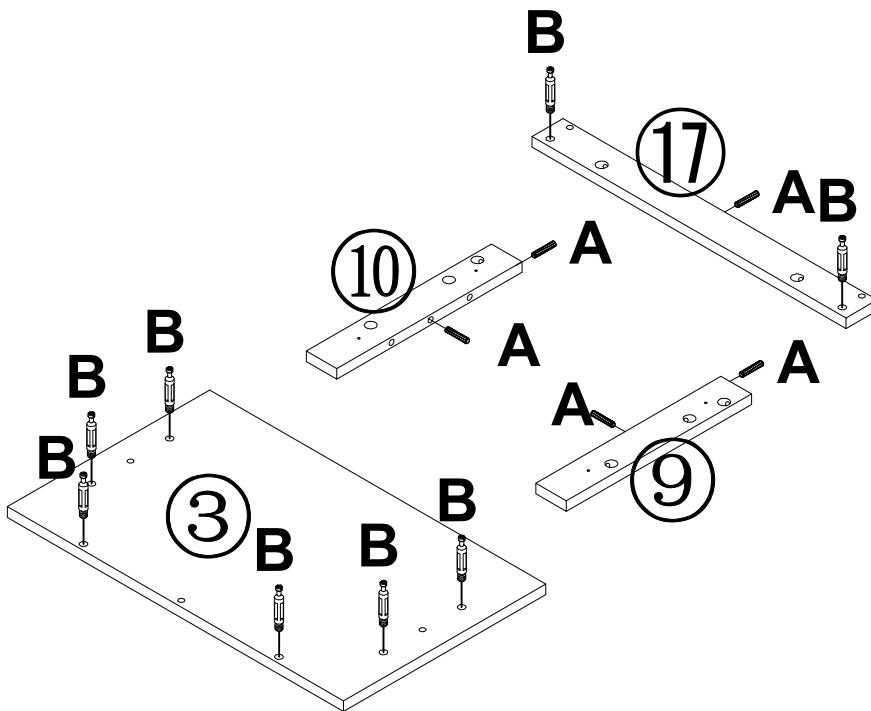
Bx4PCS

# STEP13



Bx4PCS

# STEP14

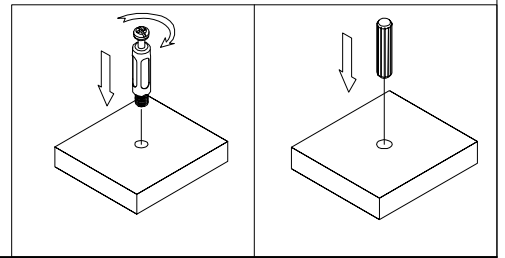
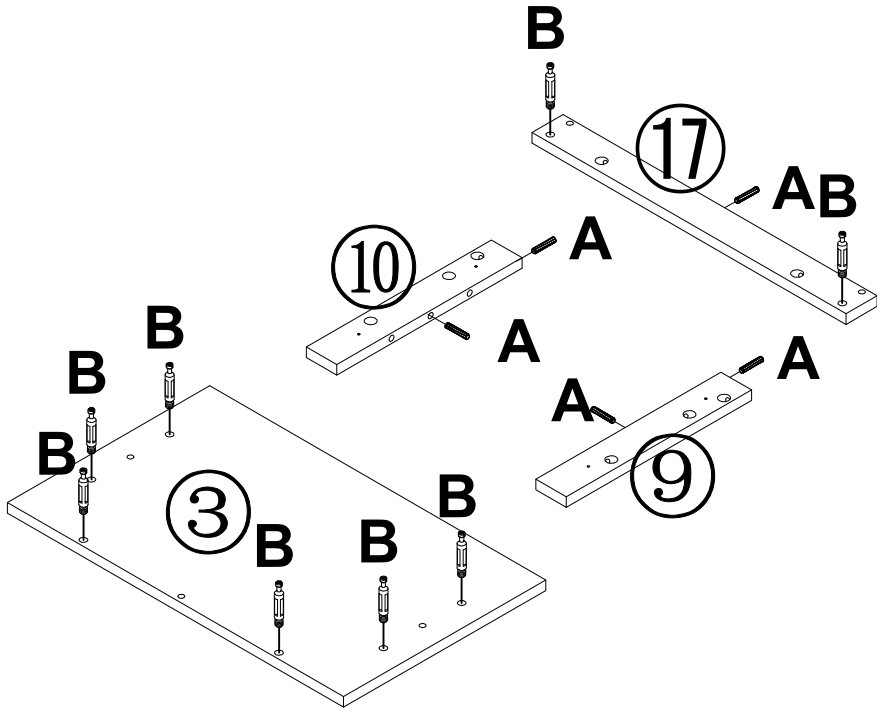


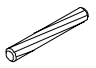

Ax5PCS



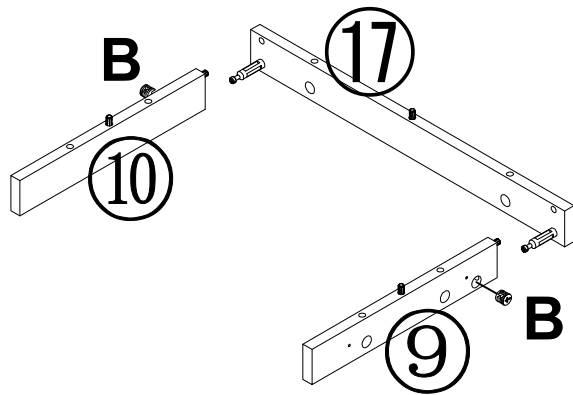
Bx8PCS

STEP15

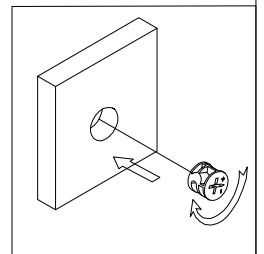


	Ax5PCS
	Bx8PCS

STEP16

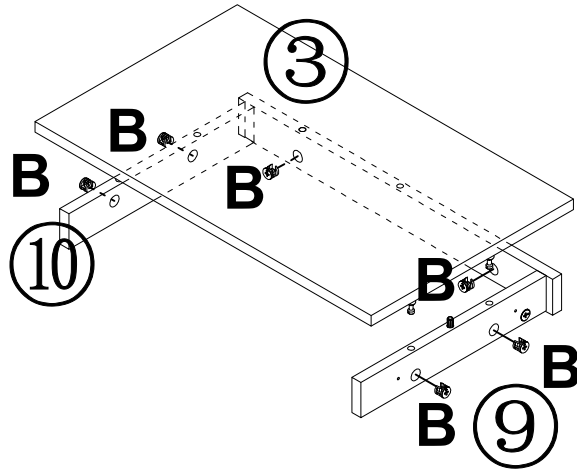


**X2**

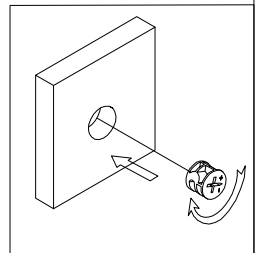


	Bx4PCS
---	--------

STEP17

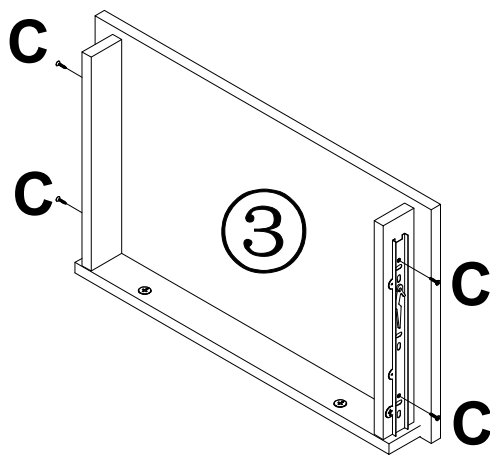


X2

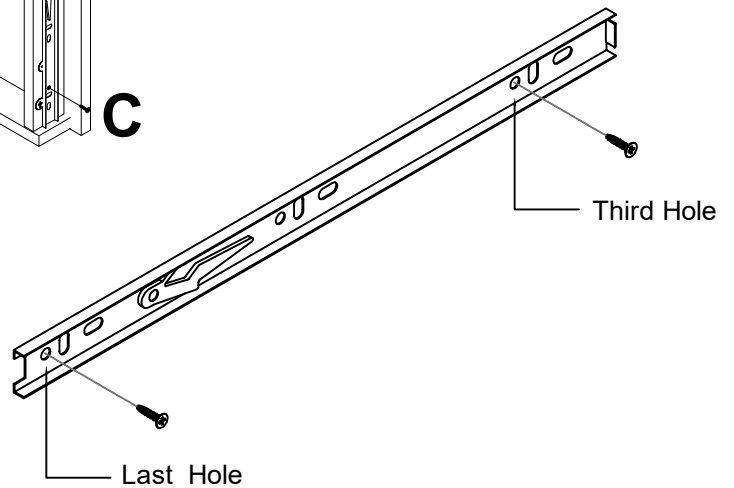


Bx12PCS

STEP18



X2

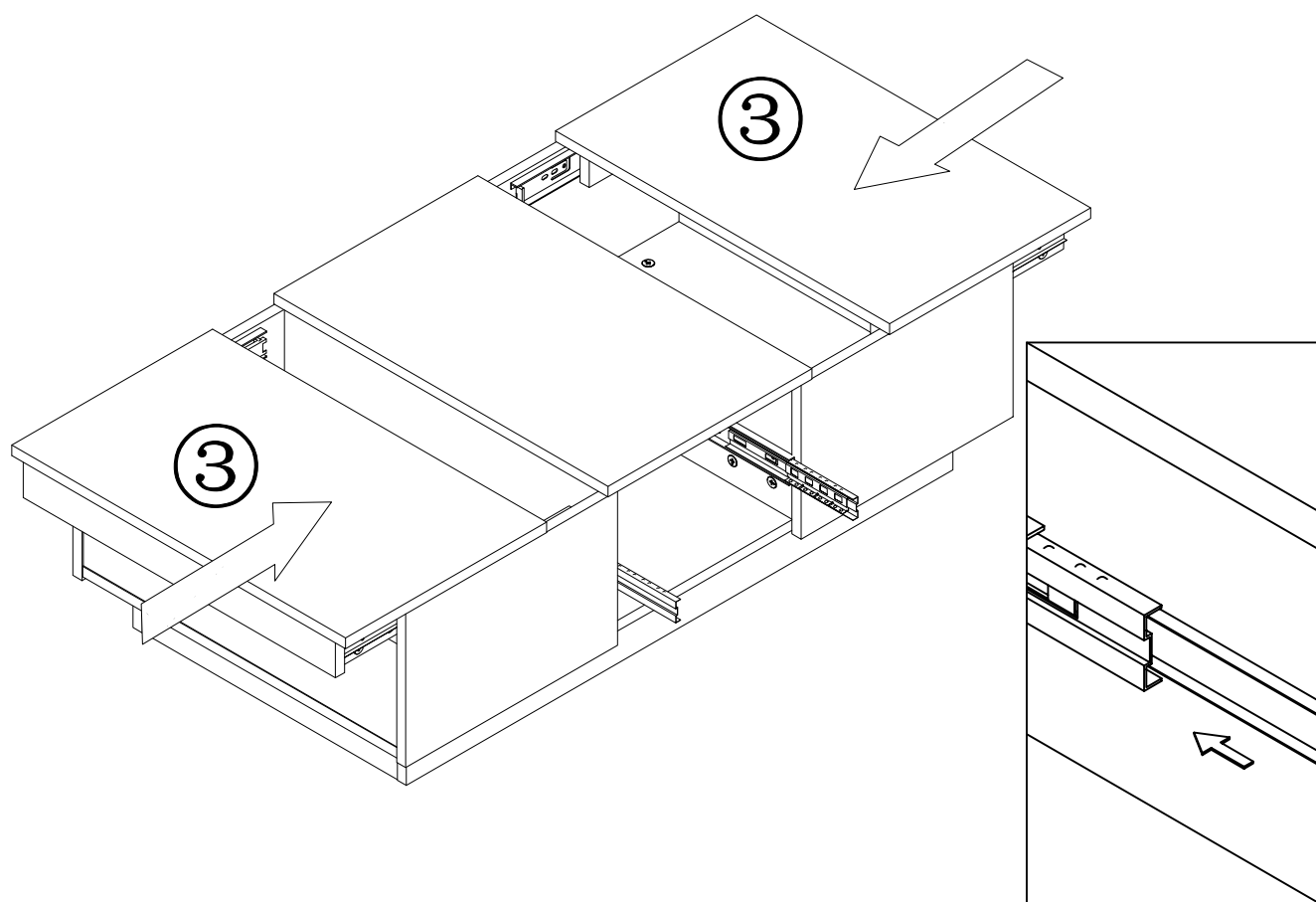


Cx8PCS

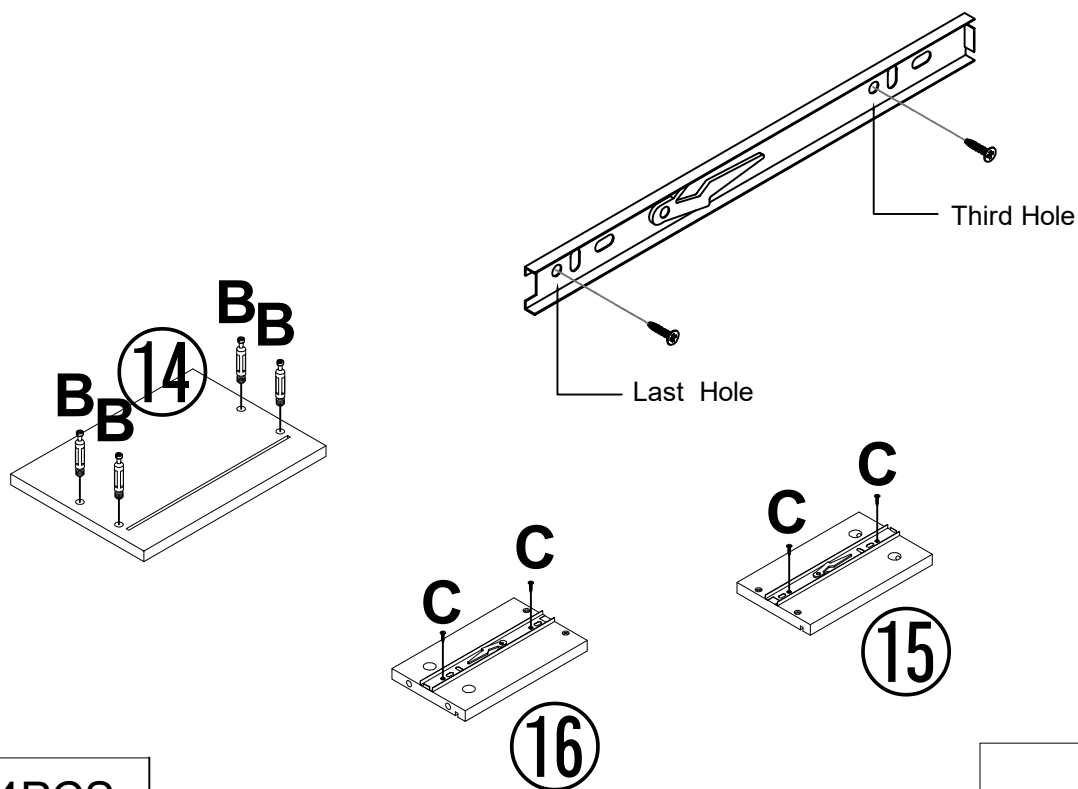




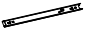
F2x4PCS

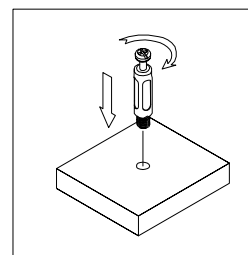
# STEP19



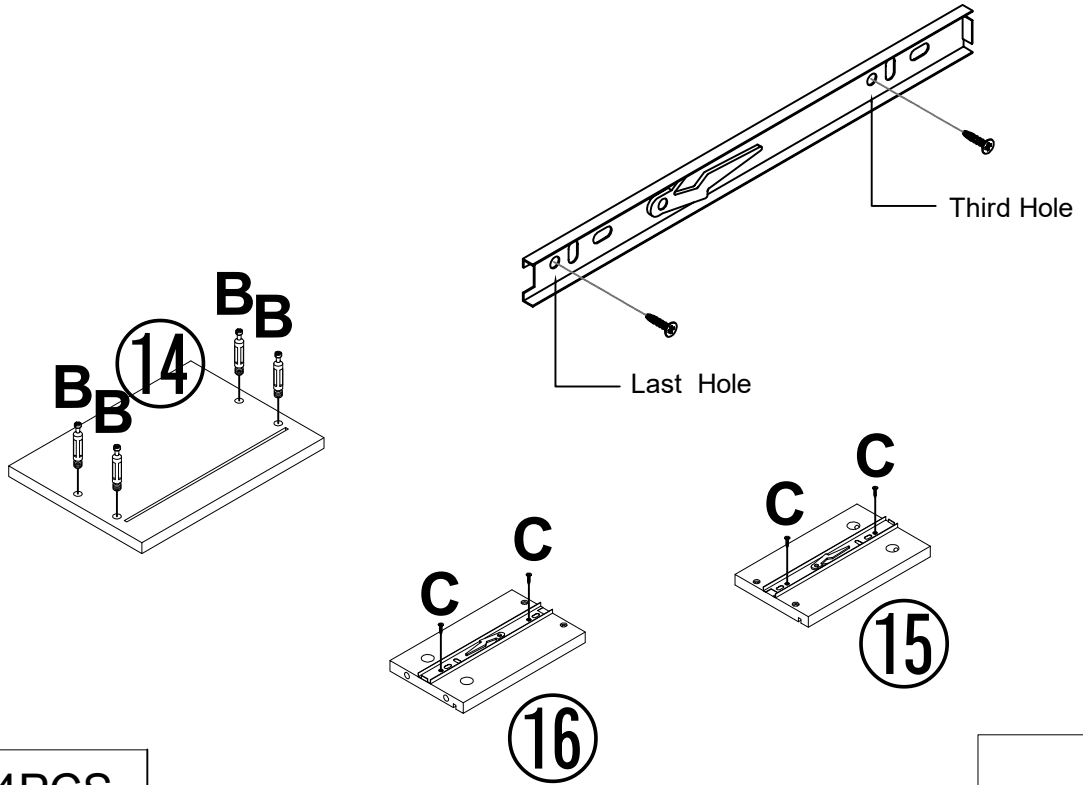
# STEP20






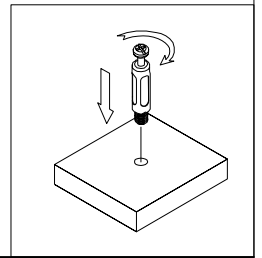
	Bx4PCS
	Cx4PCS
	E2x2PCS



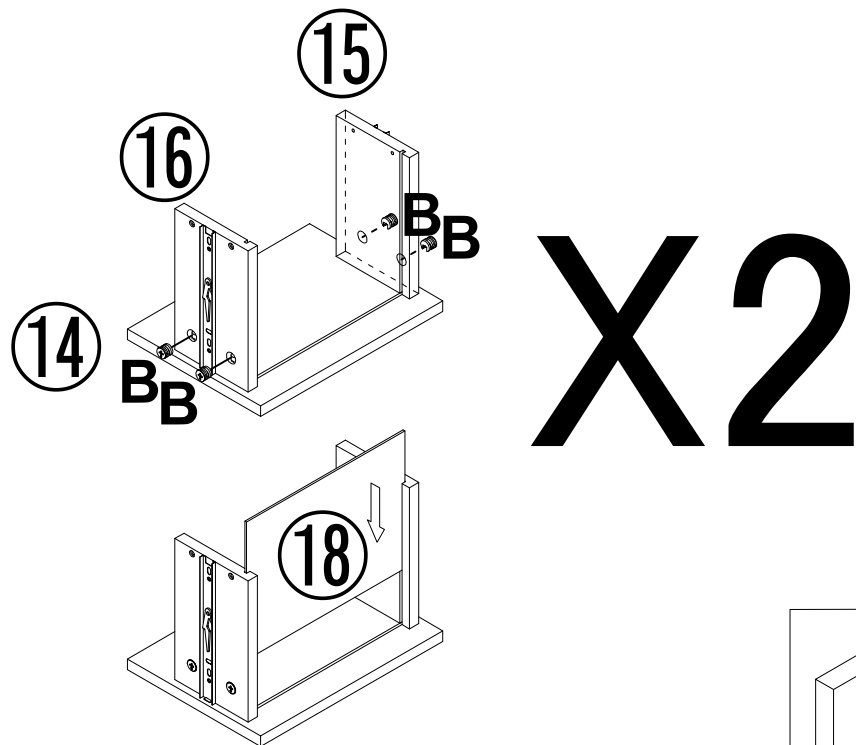
# STEP21



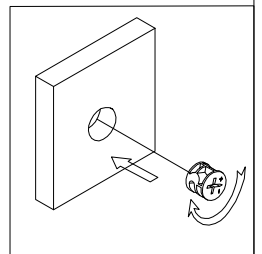
	Bx4PCS
	Cx4PCS
	E2x2PCS



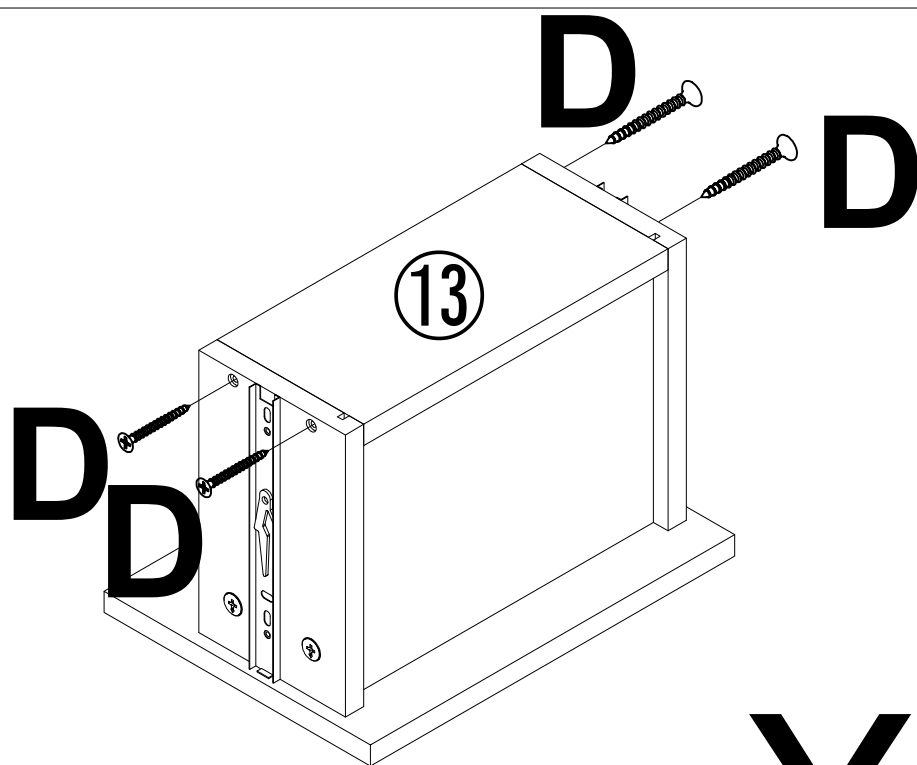
# STEP22



	Bx8PCS
---	--------



STEP23



X2



Dx8PCS

STEP24

