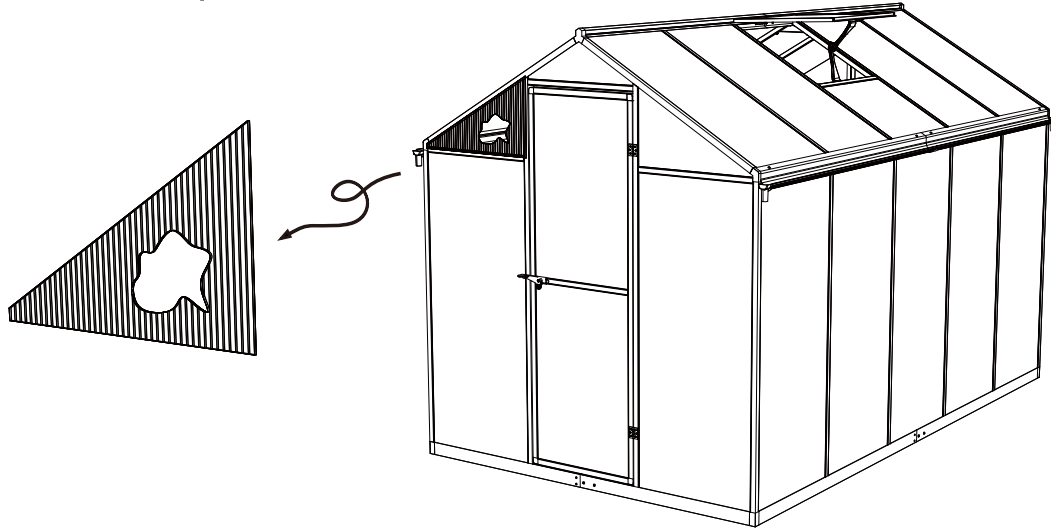
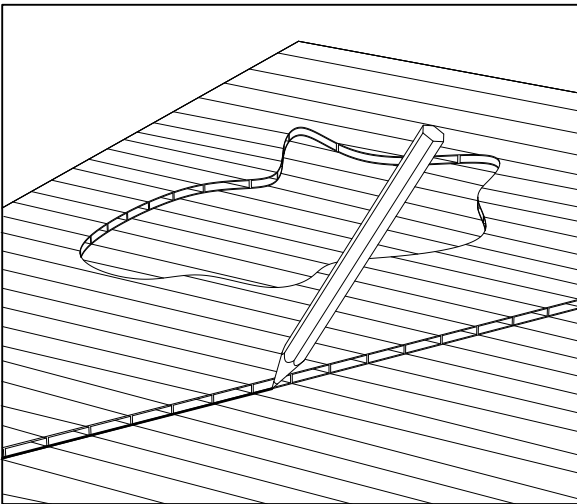


Instruction Manual

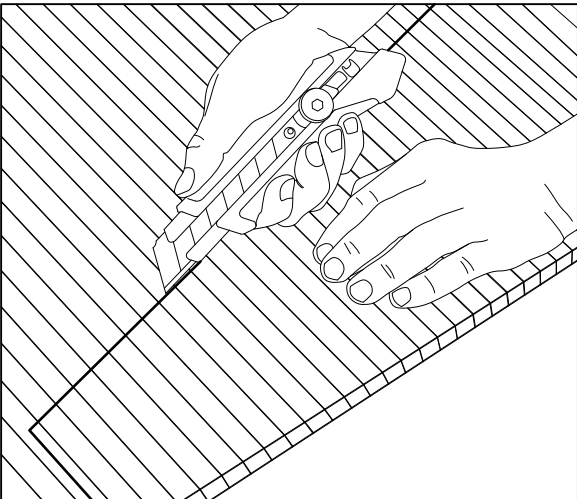
- Polycarbonate sheets installation steps



- ❶ Disassemble the original damaged polycarbonate sheets.



- ❷ Place the original damaged polycarbonate sheets over the new polycarbonate sheets and mark along the edge with a pencil.



- ❸ Then use a utility knife or circular saw to cut along the line.

- The solar panel needs to be replaced under the following conditions:

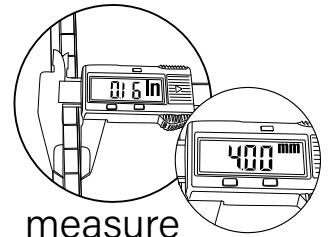
- hail damaged
- damage
- long-term use weathering

- Preparation before replacement

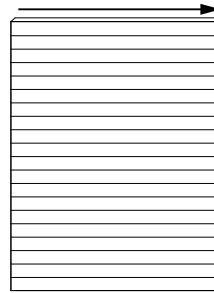
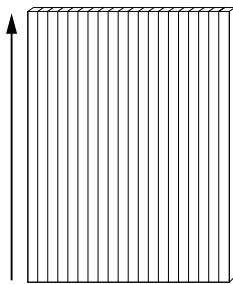
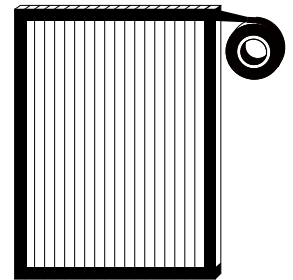
① First remove the damaged polycarbonate sheets which need to be replaced. Compare the size between damaged and new polycarbonate sheet.

Generally, the thickness of polycarbonate sheets is 0.16 inch (4mm). If your damaged sheet thickness is 0.20-0.24 inch (5.00-6.00mm), please buy a Aluminum Foil Tape and paste it around to increase the thickness.

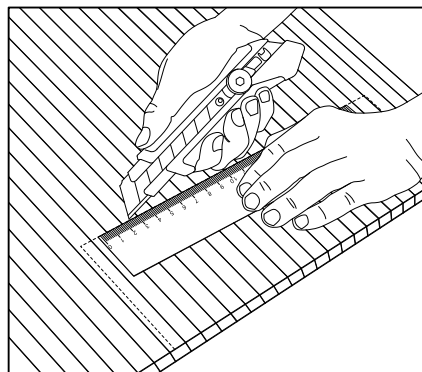
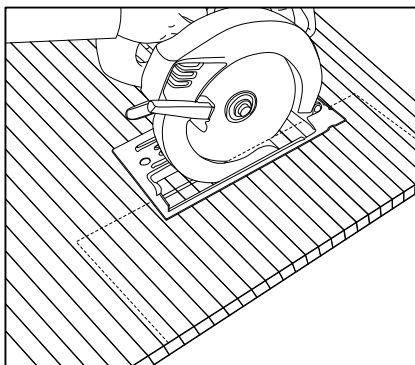
② Note that the direction of the cutting polycarbonate sheets should be consistent with the original board.



measure



③ Polycarbonate sheets can easily be cut with Utility Knife and Saber Saw or manual tools depending on the length of the cut, the width of the panel, and the type of cut.



VERSION: 20230217

Please don't hesitate to contact us for any further questions,
your satisfaction is guaranteed.

customerservice@aoodor.com

<https://www.aoodor.com/>