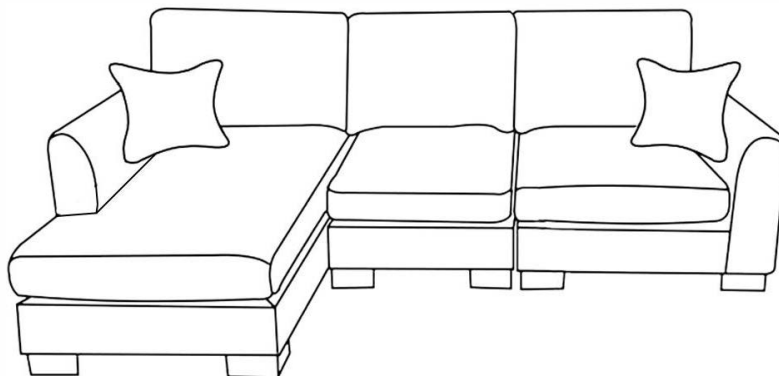


# ASSEMBLY INSTRUCTION

---


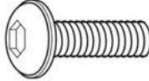
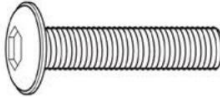

## Friendly Reminder:

- 1.This sofa is packed in 3 boxes. Please assemble it After all boxes are received.
- 2.As the cushions are all vacuum compressed,there will be some wrinkles. Please give your cushions up to 72 hours to reach its original size and the wrinkles will basically disappear.
- 3.Please do not open the compressed packages until your sofa frame is completely assembled.

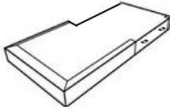
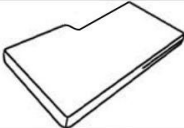
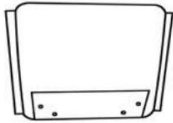
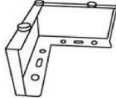


# ASSEMBLY INSTRUCTION



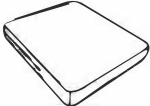



## HARDWARE


NO	DESCRIPTION	SKETCH	QTY
1	Washer		20
2	Screws 6X16		26
3	Screws 8X35		20
4	Wrench		1

## PARTS LIST

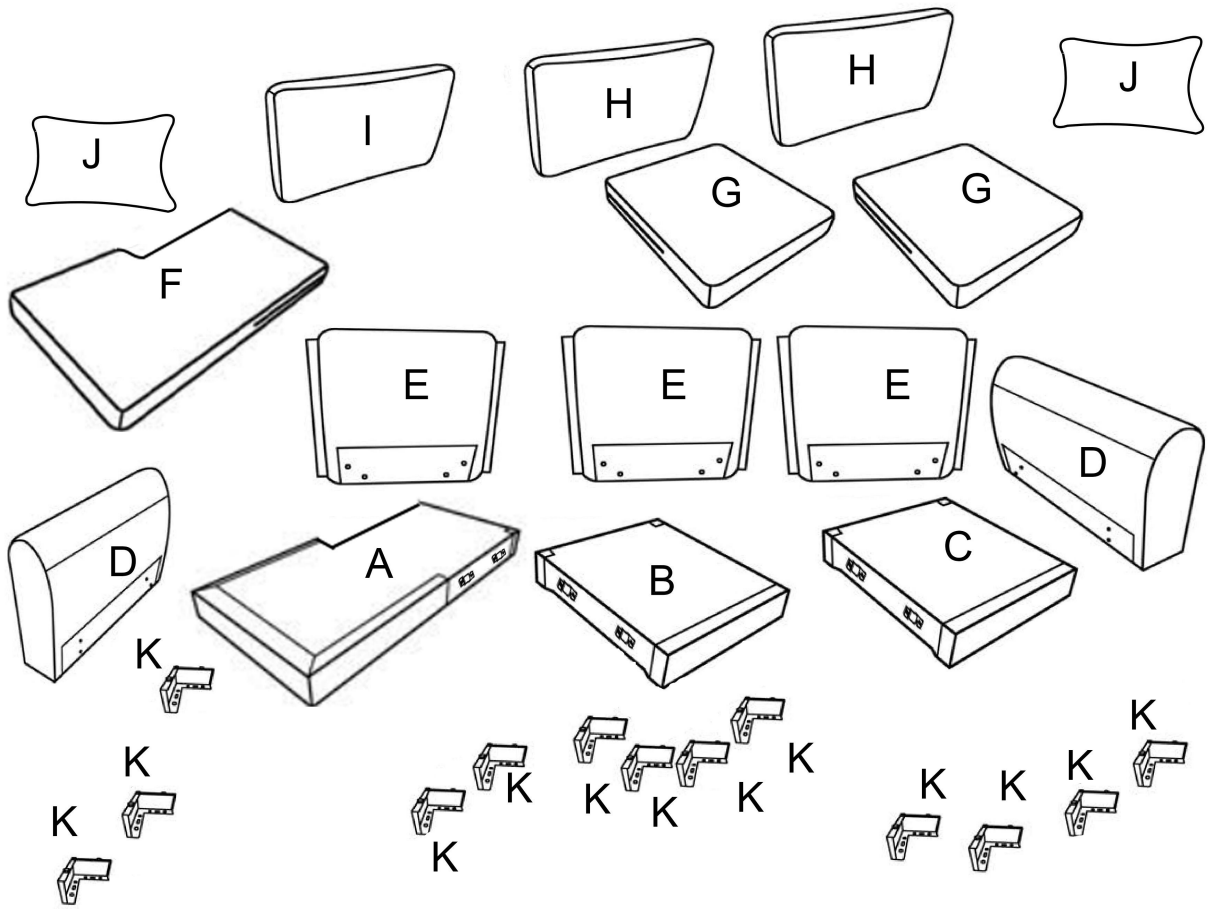
NO	DESCRIPTION	SKETCH	QTY
A	Chaise frame		1
F	Chaise cushion		1
E	Back frame		3
K	Leg		13


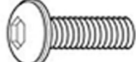
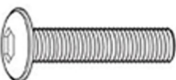

# ASSEMBLY INSTRUCTION

PARTS LIST			
NO	DESCRIPTION	SKETCH	QTY
C	Seat frame (right)		1
B	Seat frame(middle)		1
G	Seat cushion		2
I	Back cushion(short)		1
H	Back cushion		2
J	Throw pillow		2

PARTS LIST			
NO	DESCRIPTION	SKETCH	QTY
D	Armrest frame		2

# All parts and hardwares






- 1  20×Washers
- 2  26×Screws 6×16mm
- 3  20×Screws 8×35mm
- 4  1×Wrench

## NOTE:

Take out of all parts from 3 boxes, make sure all parts you have received before assemble them.

DIAGRAM 1 (Assemble the Armrest frame to the Seat frame (right))  
 Connect the Armrest frame(Part D) to the Seat frame(right) (Part C) with the  
 Screws M8X35mm(Hardware 3) and the Washers(Hardware 1) by Wrench  
 (Hardware 4).

1		4PCS
3		4 PCS
4		1PC

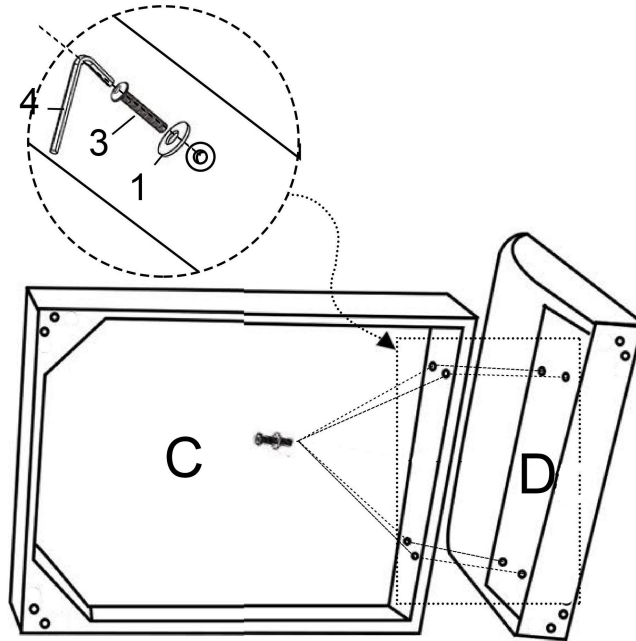


DIAGRAM 2 (Assemble the Armrest frame to the Chaise frame )  
 Connect the Armrest frame(Part D) to the Chaise frame(Part A) with the Screws  
 M8X35mm(Hardware 3) and the Washers(Hardware 1) by Wrench(Hardware 4).

1		4PCS
3		4 PCS
4		1PC

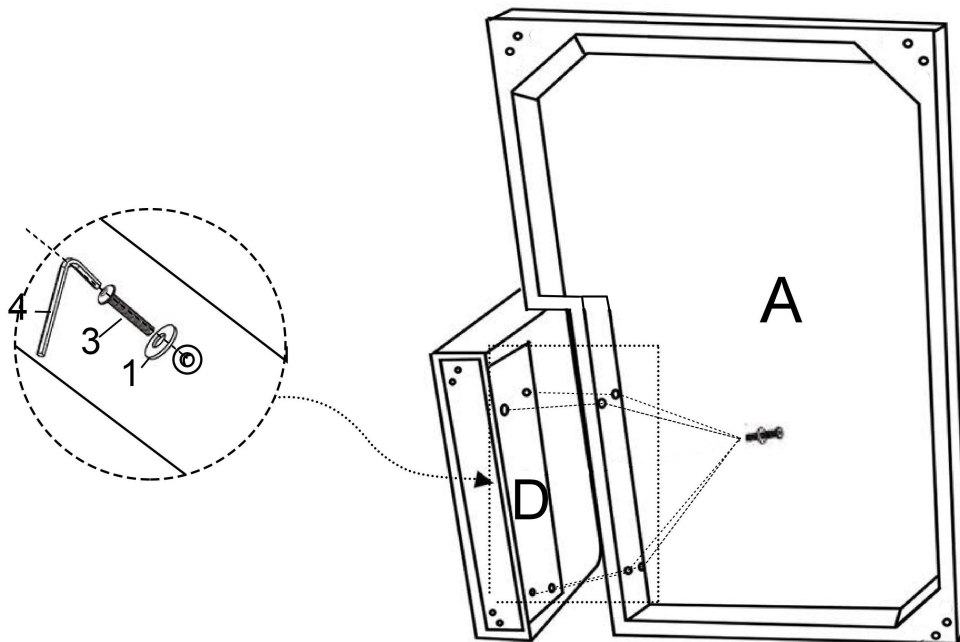




DIAGRAM 3 (Assemble the Legs)

Tighten 4 Legs (Part K) with Screws M6×16mm (Hardware 2) by Wrench (Hardware 4).

2		10PCS
4		1PC
K		5PCS

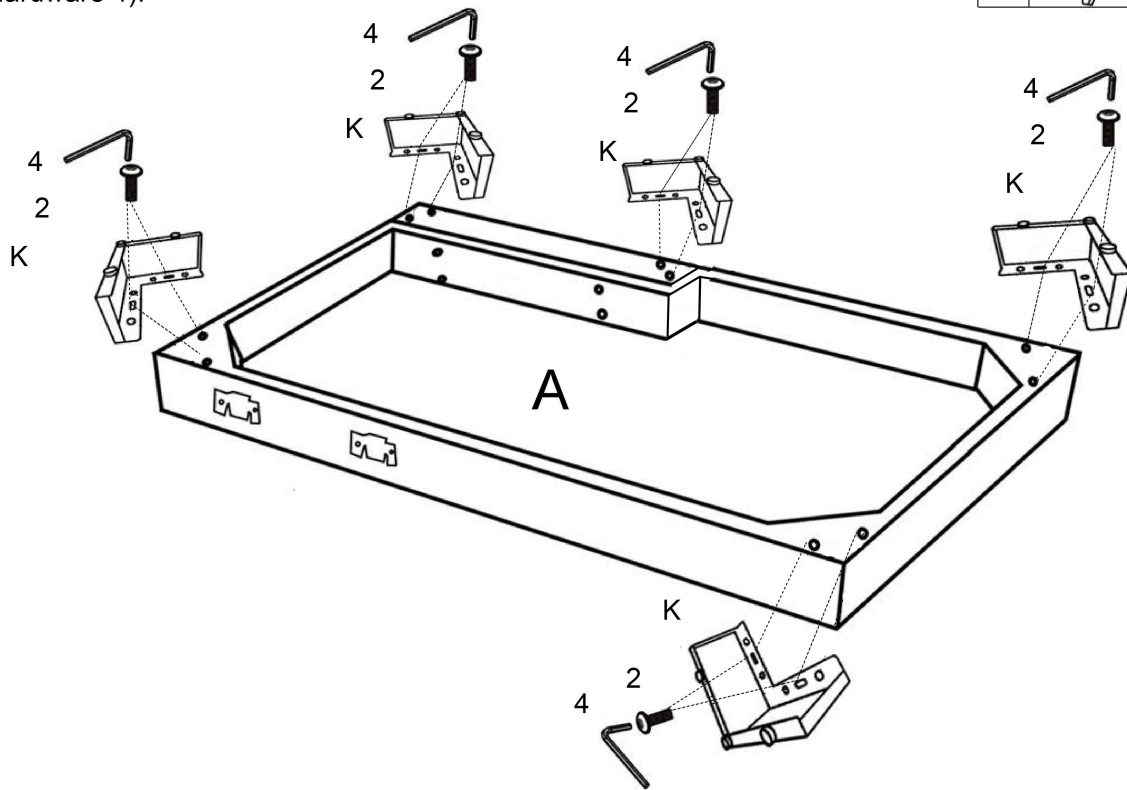


DIAGRAM 4 (Assemble the Legs)

Tighten 4 Legs (Part K) with Screws M6×16mm (Hardware 2) by Wrench (Hardware 4).

2		8PCS
4		1PC
K		4PCS

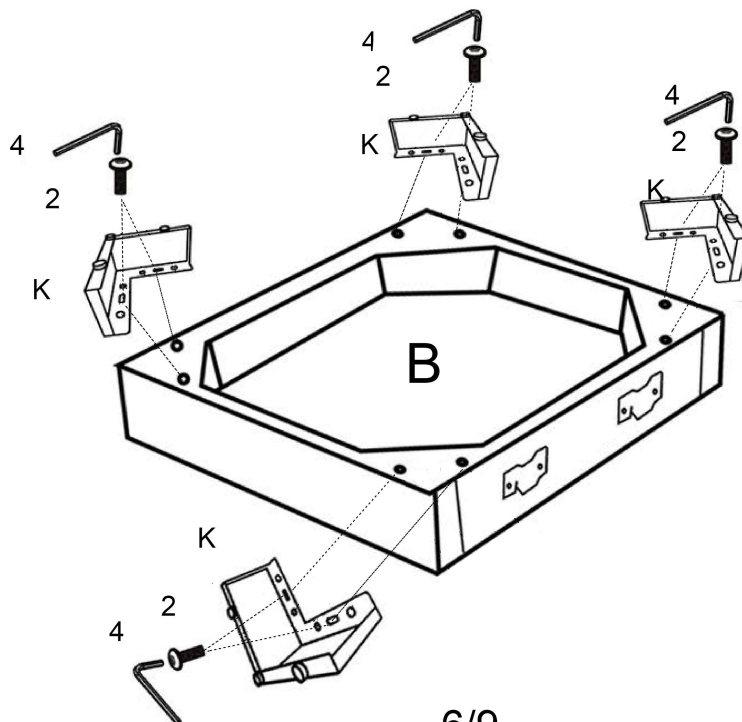





DIAGRAM 5 (Assemble the Legs)

Tighten 4 Legs (Part K) with Screws M6×16mm(Hardware 2) by Wrench (Hardware4).

2		8PCS
4		1PC
K		4PCS

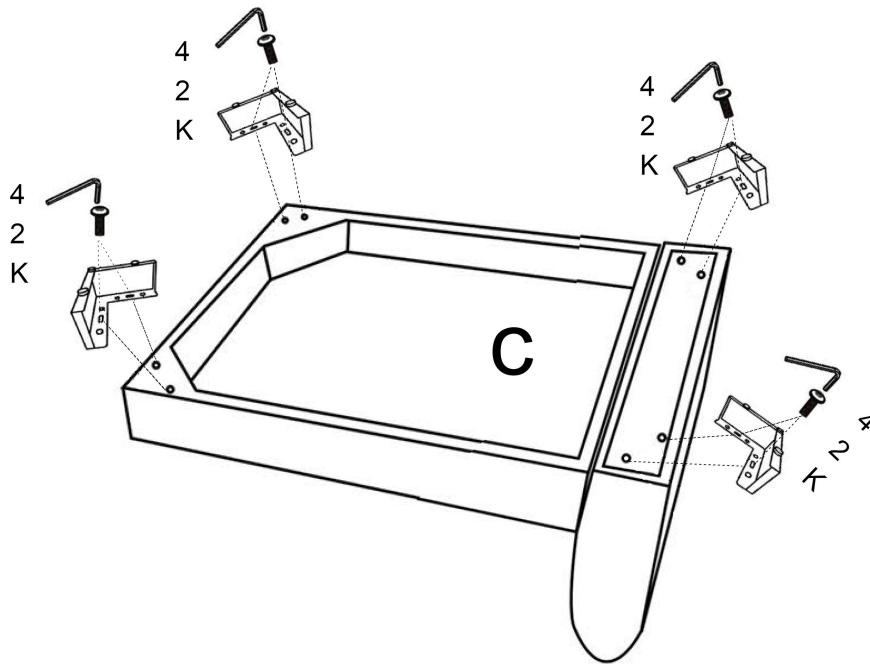


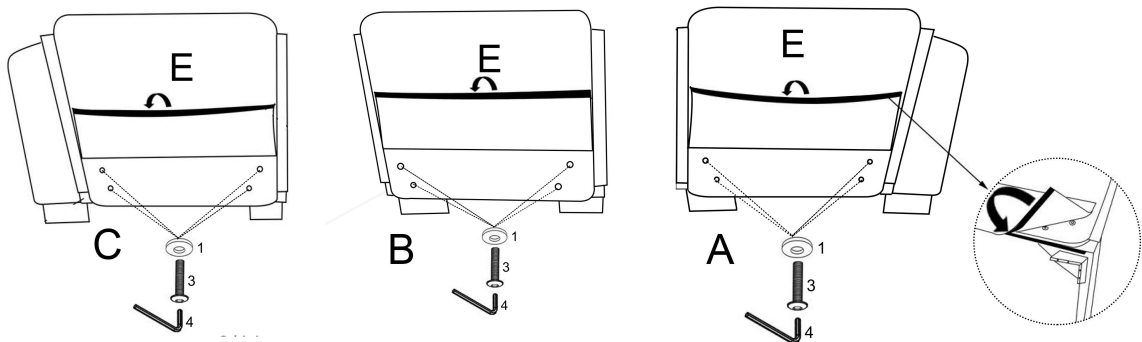
DIAGRAM 6 (Assemble the Back frames)

Connect the Back frames(Part E) using Screws M8x35mm(Hardware3) and Washers(Hardware1) by Wrench(Hardware4) as shown. Then put Velcro pieces together.

1		12PCS
3		12PCS
4		1PC

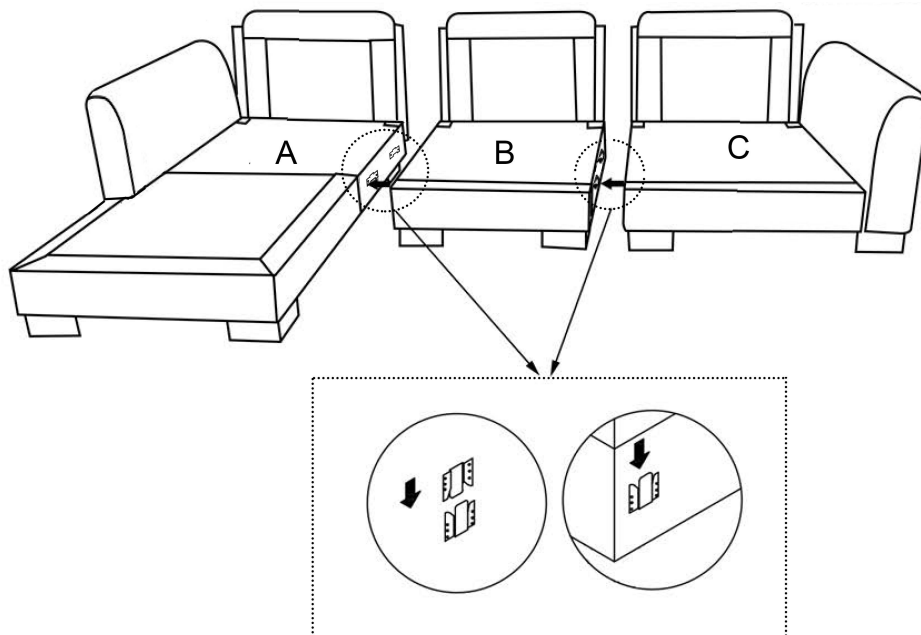
Please install the top Screws first, then the bottom Screws.

Make sure all the Screws are in the holes before tightening all the Screws.



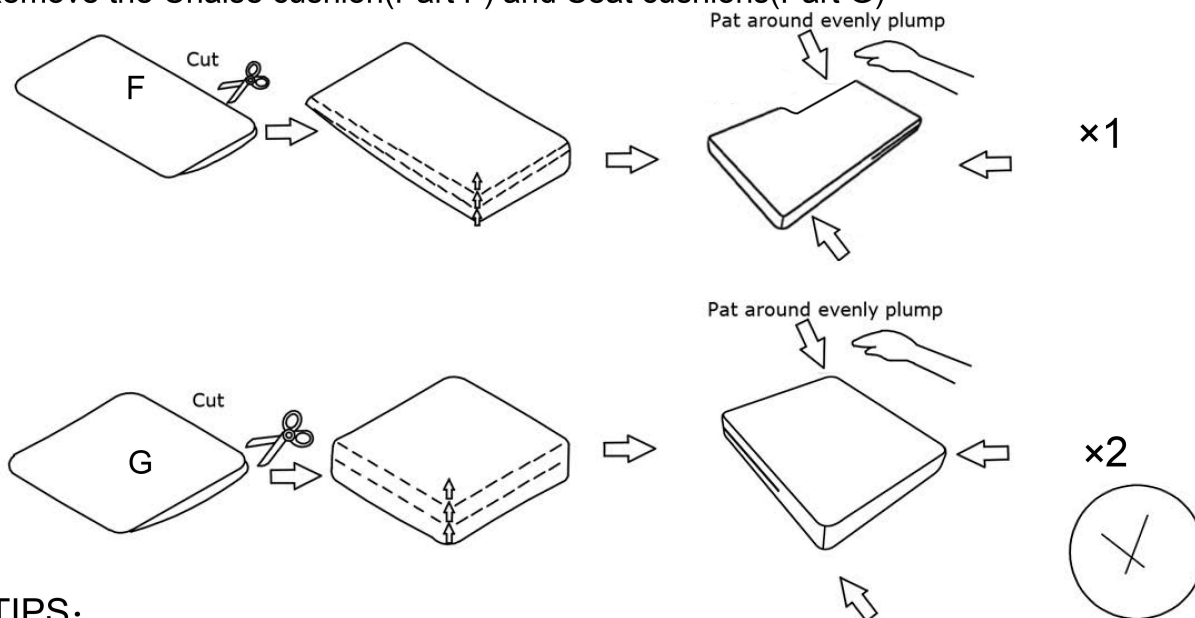
**DIAGRAM 7 ( Connect the Seat frames )**

Connect the Chaise frame (Part A), the Seat frame(middle) (Part B) and the the Seat frame(right) (Part C) with inserts.



**DIAGRAM 8 (Removal of compression bags)**

Remove the Chaise cushion(Part F) and Seat cushions(Part G)



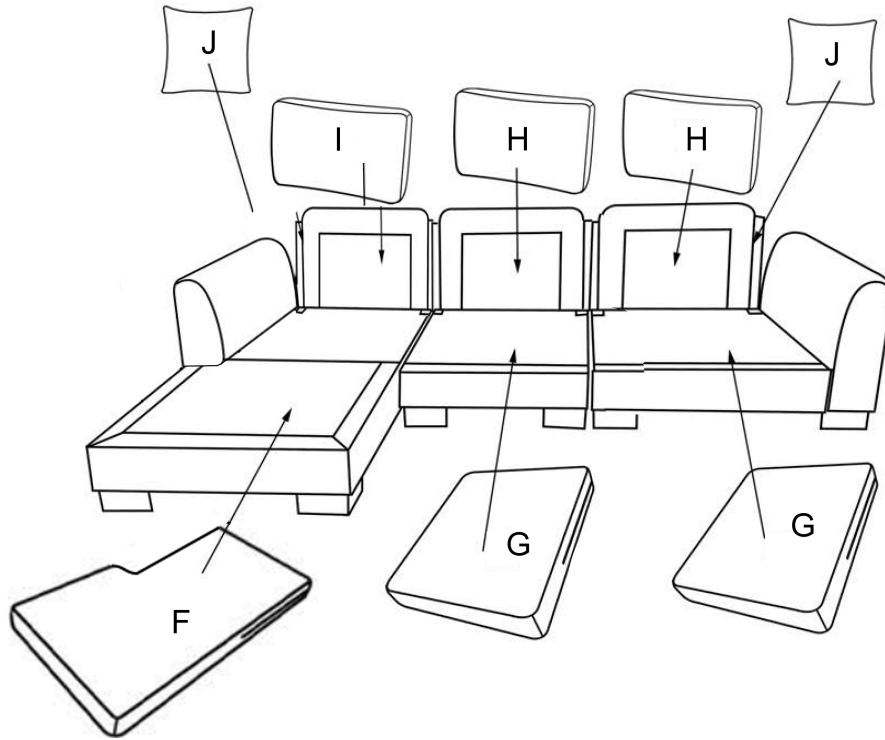
**TIPS:**

1. Please do not open the compressed packages until your sofa frame is completely assembled.
2. Compressed Back cushions and Seat cushions need to be fully fulfilled within 72 hours for your perfect use.
3. Please keep children away from plastic bags or any small pieces of stuff.

**DIAGRAM 9 (Place the cushions on the sofa)**

Put the Seat cushions (Part G) the Chaise cushion (Part F) the Back cushions (Part H&I) and the Throw pillows (Part J) on the sofa.

Recheck all the bolts before you sit on the sofa.



**TIPS:**

1. Please do not open the compress packaging until your sofa frame is completely assembled.
2. Compress Back cushions and Seat cushions need to be fully fulfilled within 72 hours for your perfect use.
3. Please keep children away from plastic bags or any small pieces of stuff.

