



THD-008

CEILING ELECTRIC HEATER INSTRUCTION

Please keep this instruction for future reference

This manual contains important safety information concerning the maintenance, use and operation of this product. Failure to follow the instructions contained in this manual may result in serious injury. If you are unable the contents of this manual, please bring it to the attention of your supervisor. Do not operate this product unless you have read and understand the contents of this manual.

IMPORTANT SAFETY MEASURES

When using any kind of electrical appliance, some basic safety precautions must always be followed, including the following:

1. To avoid possible electric shocks, do not place the cable, plug or appliance in water or in any other liquid. Do not insert screwdrivers or metallic items inside the appliance.
 2. If the power cable is damaged, it must be replaced by the manufacturer, its service technician or by someone else authorized by the manufacturer. In the event of handing of appliances by non-authorized people, the guarantee will immediately cease to be valid.
 3. Do not use appliances if they are damaged.
 4. To disconnect electrical appliances, wait until the heater stops and then unplug the cable from the electric socket.
 5. Do not leave appliances working unattended. Ensure that the heater has come to a complete stop before dismantling appliances. Unplug appliance after each use.
 6. Do not allow children to use electrical appliance. Do not leave appliance unattended when in use close to children.
- 1
7. Children of less than 3 years should be kept away unless continuously supervised.
 8. Children aged from 3 years and less than 8 years shall only switch on/off the appliance provided that it has been placed or installed in its intended normal operating position and they have been given supervision or instruction concerning use of the appliance in a safe way and understand the hazards involved. Children aged from 3 years and less than 8 years shall not plug in, regulate and clean the appliance or perform user maintenance.
 9. Do not dispose of this product as unclassified municipal rubbish. Due to the use of electrical and electric parts, this product must be collected separately.
 10. CAUTION — Some parts of this product can become very hot and cause burns. Particular attention has to be given where children and vulnerable people are present.
 11. WARNING: The appliance shall, under no circumstances, be covered with insulating material or similar material.
 12. The heater must not be located immediately below a socket-outlet.
 13. Joists, beams and rafters shall not be cut or notched to install the appliance.

2

NOTICE

1. The power supplied to this unit must comply with electrical requirement on its label. Damage or fire may result if the incorrect power used.
2. Do not use the heater in somewhere with flammable objects, gas, dust.
3. In order to avoid scalding, forbid to touch the heater when it works.
4. Forbid to put anything on product surface when it is working.
5. To avoid possible electric shocks, do not place the heater in bathrooms or similar indoor location.
6. In order to avoid fire, do not use the heater with automatic electrified sequencer, timer and other devices.
7. Children of less than 3 years should be kept away unless continuously supervised. Children shall not play with the appliance.
8. Children aged form 3 years and less than 8 years shall only switch on/off the appliance provided that it has been placed or installed in its intended normal operating position and they have been given supervision or instruction concerning use of the appliance in a safe way and understand the hazards involved. Children aged from 3 years and less than 8 years shall not plug in, regulate and clean the appliance or perform user maintenance.
9. Turn off all switches and unplug the heater if an emergency situation occurs.
10. Please contact with seller if it does not work properly. Do not try to repair the heater by yourself.
11. Please contact the seller if you find other problems not covered in this operation manual.
12. Cleaning and user maintenance shall not be made by children with supervision.

3

SPECIFICATION

Model	THD008
Voltage	100-120V~50-60Hz
Power	0/600/900/1500 W
Weight	1.2 kg
Size	42.5 x 42.5 x 25 cm

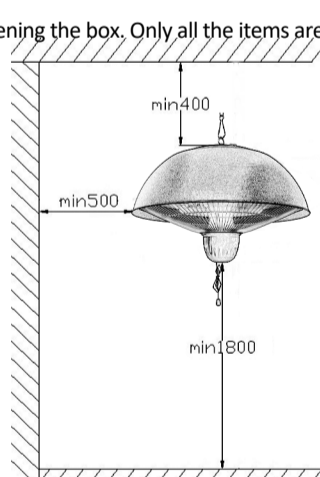
Parts	Description	Quantity
A	Heater	1
B	Chain with carabiners	1
C	Manual	1

4

INSTALLATION

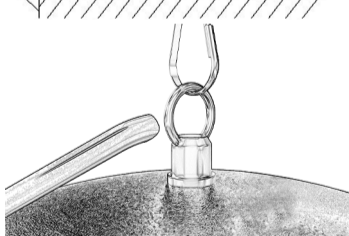
Please check all the items against the parts list after opening the box. Only all the items are complete, the installation could be followed.

1. Do not allow children to install the product.
2. Keep 400mm distance form heater to ceiling.
3. Keep at least 500mm distance between heater and surrounding.
4. Keep at least 1800mm height form heater to ground.



5. Connect the carabiner with the ring firmly.

5



OPERATION

1. To operate the heater on low(600W), Pull the switch cord once.
2. Pull again then midden(900W) will glow and radiate heat.
3. To operate the heater on high(1500W), pull the switch again

CLEANING AND MAINTENANCE

1. Always turn off and unplug the heater before cleaning.
2. To clean the heater, use a damp cloth and make sure to dry excess water once cleaned.

*ATTENTION Do not put the heater directly into any container with water in it



To comply with European Directive 2002/96/EC concerning old electric and electronic equipment and its implementation in national laws, old electric tools have to be separated from other waste and disposed of in an environment-friendly fashion, e.g. by taking to a recycling deport.

TROUBLE SHOOTING

1. If the heater does not emit heat after turning on, please check the power cord whether plugged into electric socket properly.
2. In first use, it is normal if the heater appears small amount of smoke and some smell because of protective-oil evaporation.

6



Paraheeter

ADD:2691 Richter ave Suite123,Irvine CA 92606

Tel:323 831 2020

Email:Paraheeter@outlook.com

If the number you called is busy or not answered, please do not hesitate to contact us via email.

We will reply you back within 10 hours.