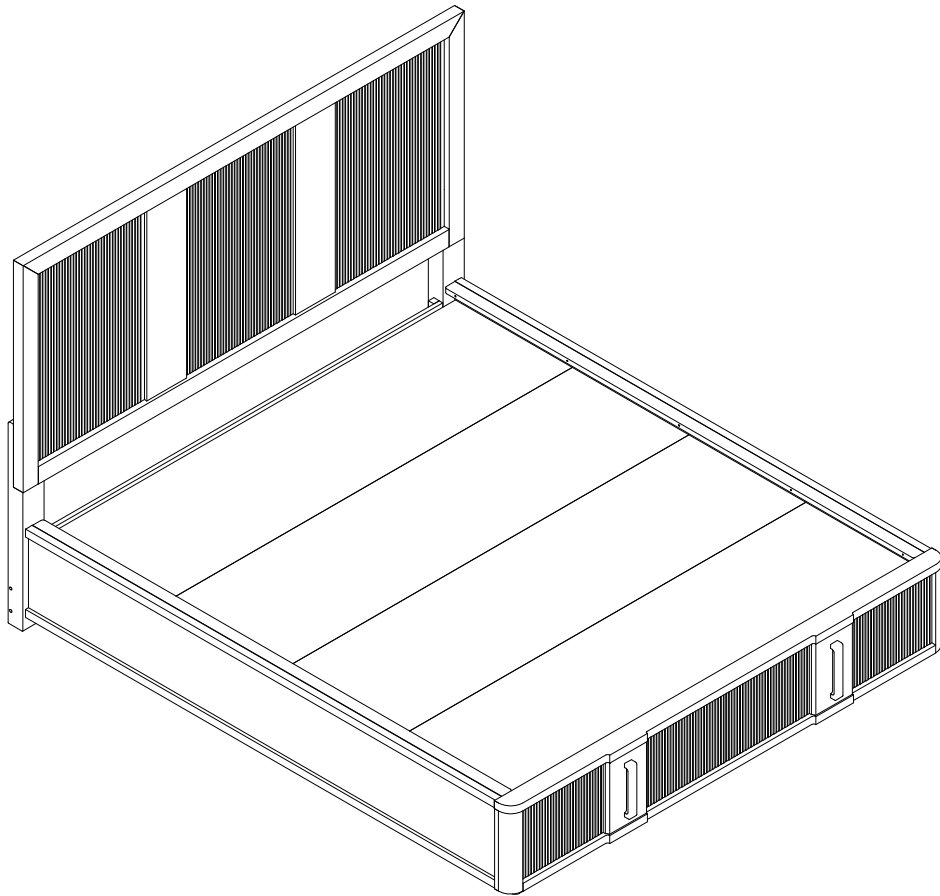


ASSEMBLY INSTRUCTIONS



Fine Furniture for every stage of life

(B1-B3)

California King Bed

ASSEMBLY INSTRUCTIONS

ASSEMBLY TIPS:

- 1.Remove hardware from box and sort by size.
- 2.Please check to see that all hardware and parts are present prior to start of assembly.
- 3.Please follow attached instructions in the same sequence as numbered to assure fast & easy assembly.



WARNING

- 1.Don't attempt to repair or modify parts that are broken or defective. Please contact the store immediately.
- 2.This product is for home use only and not intended for commercial establishments.

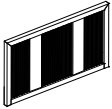


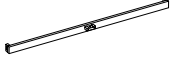


ASSEMBLY TIME

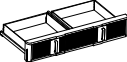

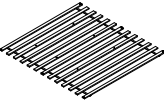


20 MINUTES

PARTS IDENTIFICATION



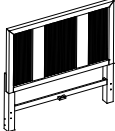
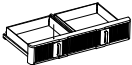
B1 (BOX 1)

<p>A HEADBOARD PANEL</p>  <p>1PC</p>	<p>C RIGHT HEADBOARD LEG</p>  <p>1PC</p>
<p>B LEFT HEADBOARD LEG</p>  <p>1PC</p>	<p>D HEADBOARD BOTTOM RAIL</p>  <p>1PC</p>

B2 (BOX 2)

<p>E STORAGE FOOTBOARD</p>  <p>1PC</p>	<p>H BED SLAT SUPPORT WITH LEVELER</p>  <p>6PCS</p>
<p>F ROLL SLAT (13PCS)</p>  <p>1SET</p>	<p>I CONCEAL PANEL</p>  <p>4PCS</p>
<p>G CENTER RAIL SUPPORT WITH LEVELER</p>  <p>3PCS</p>	

B3 (BOX 3)

<p>J BED RAIL</p>  <p>2PCS</p>	<p>K CENTER RAIL</p>  <p>1PC</p>
<p>HB HEADBOARD COMPLETE</p>  <p>1PC</p>	<p>E FOOTBOARD</p>  <p>1PC</p>

ASSEMBLY INSTRUCTIONS

ASSEMBLY TIPS:

- 1.Remove hardware from box and sort by size.
- 2.Please check to see that all hardware and parts are present prior to start of assembly.
- 3.Please follow attached instructions in the same sequence as numbered to assure fast & easy assembly.

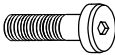





WARNING

- 1.Don't attempt to repair or modify parts that are broken or defective. Please contact the store immediately.
- 2.This product is for home use only and not intended for commercial establishments.

HARDWARE IDENTIFICATION

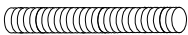
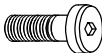




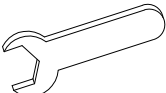

(BOX 1) - HARDWARE PACK IS LOCATED IN (B1)

1	BOLT (5/16" x 38mm - RBW)		12PCS	3	FLAT WASHER (5/16" x 19 x 1.5mm - RBW)		12PCS
2	LOCK WASHER (5/16" - RBW)		12PCS	4	ALLEN WRENCH (74 x 30 x 4mm - RBW)		1PC

(BOX 2) - HARDWARE PACK IS LOCATED IN (B2)

5	FLAT HEAD SCREW (4 x 32mm - RBW)		6PCS
---	--	---	------

(BOX 3) - HARDWARE PACK IS LOCATED IN (B3)

6	THREADED BOLT (5/16" x 75mm - RBW)		8PCS	10	BOLT (1/4 x 25mm - RBW)		2PCS
7	U-SQUARE WASHER (25 x 15 x 2mm - RBW)		8PCS	11	LOCK WASHER (1/4" - RBW)		2PCS
8	HEX NUT (5/16" x 17mm - RBW)		8PCS	12	FLAT WASHER (1/4" x 19 x 1.5mm - RBW)		2PCS
9	WRENCH (13MM - RBW)		1PC	13	ALLEN WRENCH (74 x 30 x 4mm - RBW)		1PC

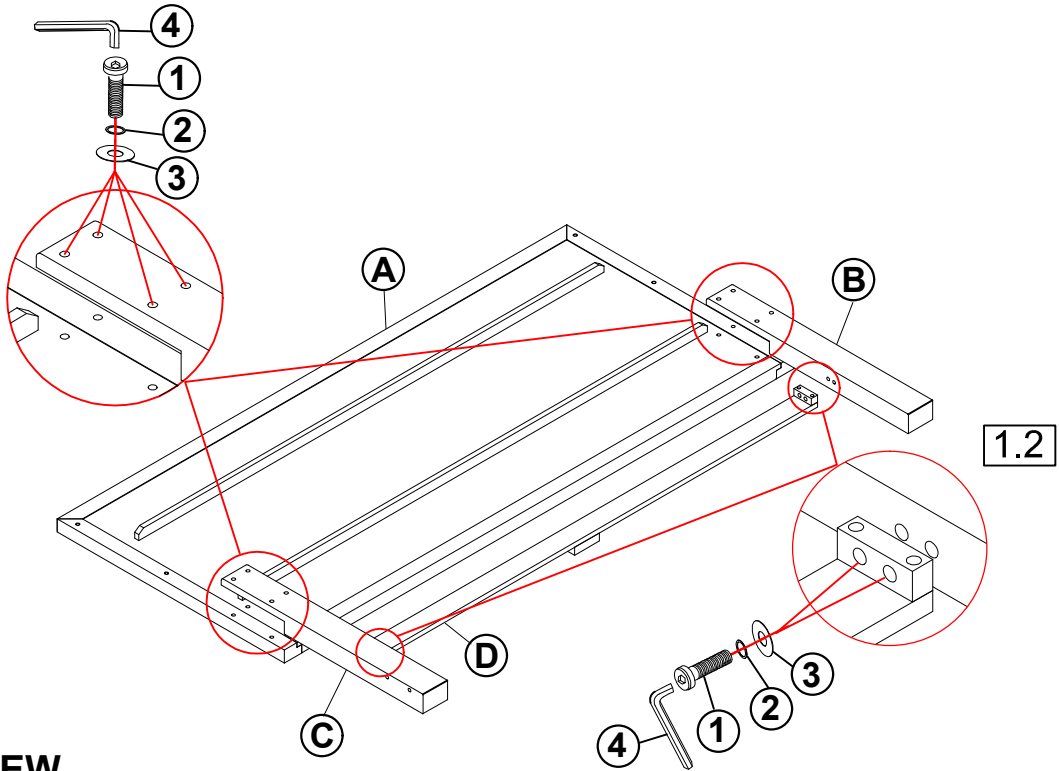
NOTE:

Phillips head screw driver is required in the assembly process; however, manufacturer does not provide this item.

ASSEMBLY INSTRUCTIONS

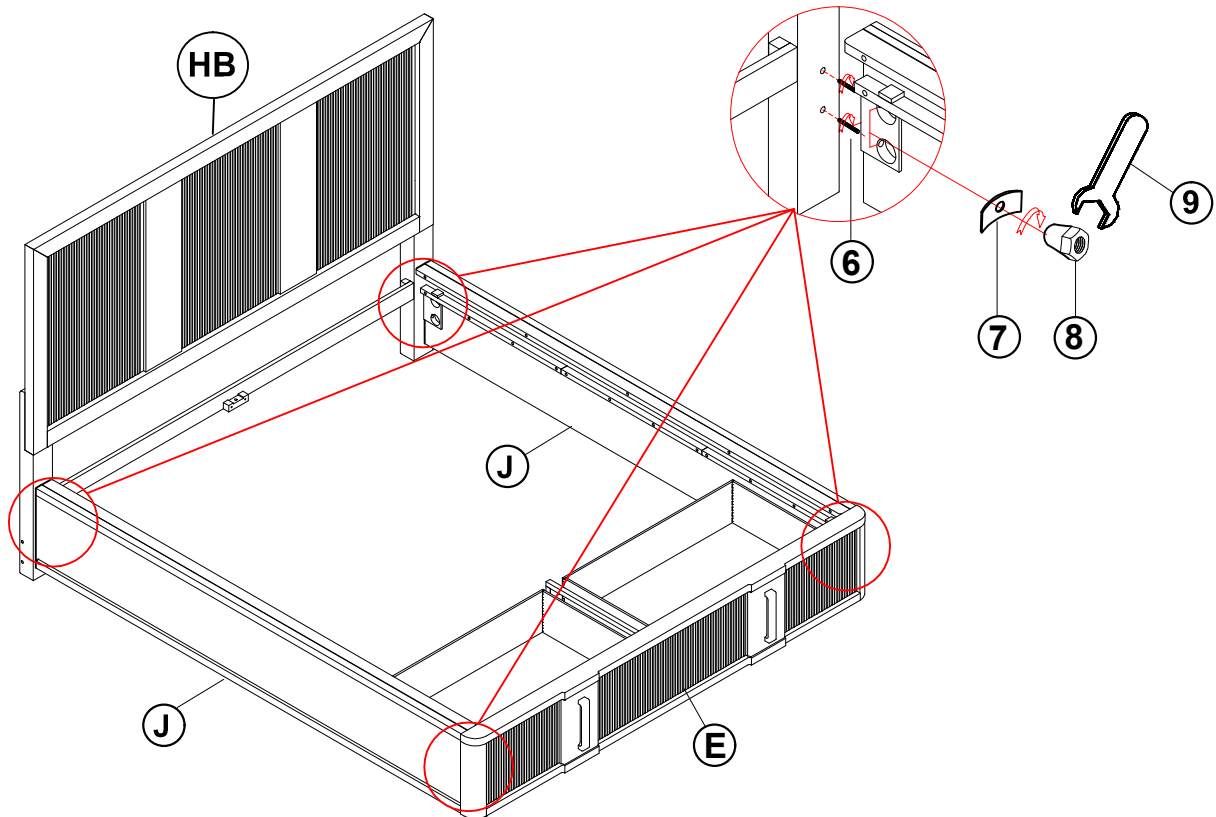
STEP 1

1.1



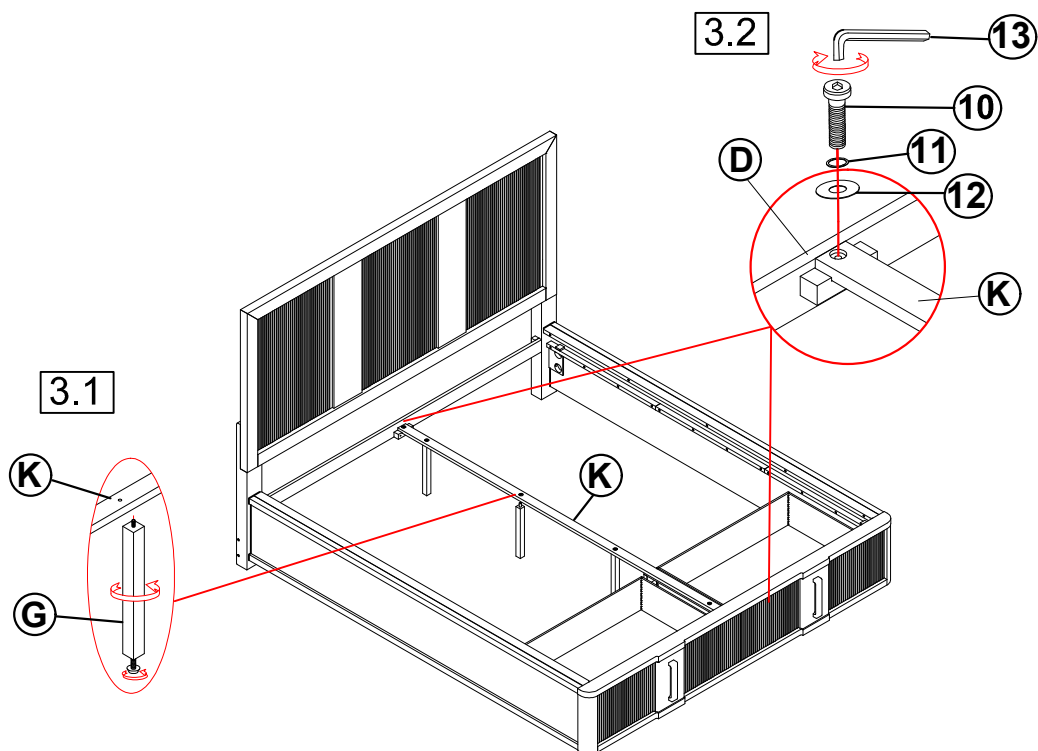
* BACK VIEW

STEP 2

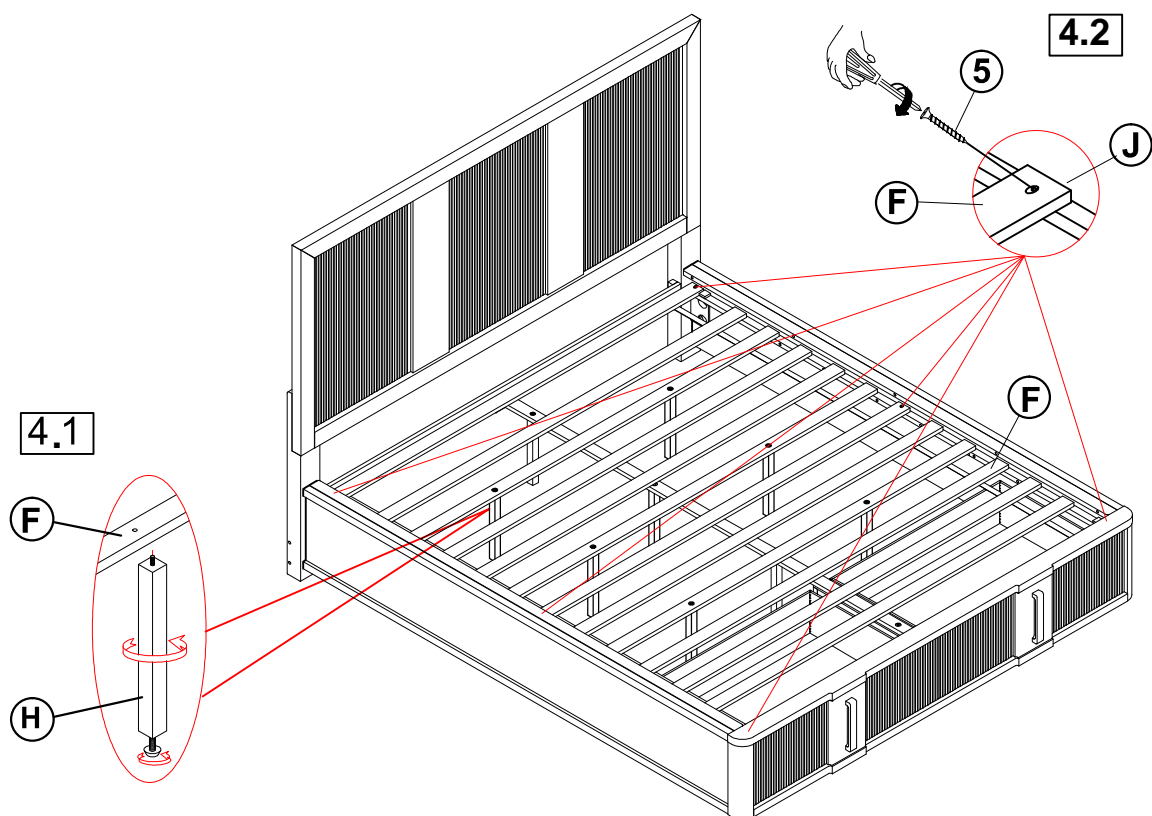


ASSEMBLY INSTRUCTIONS

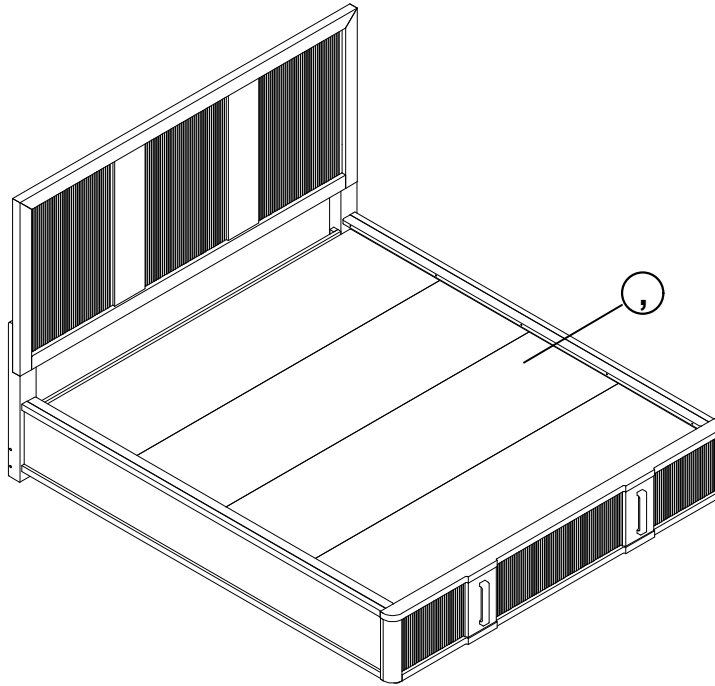
STEP 3



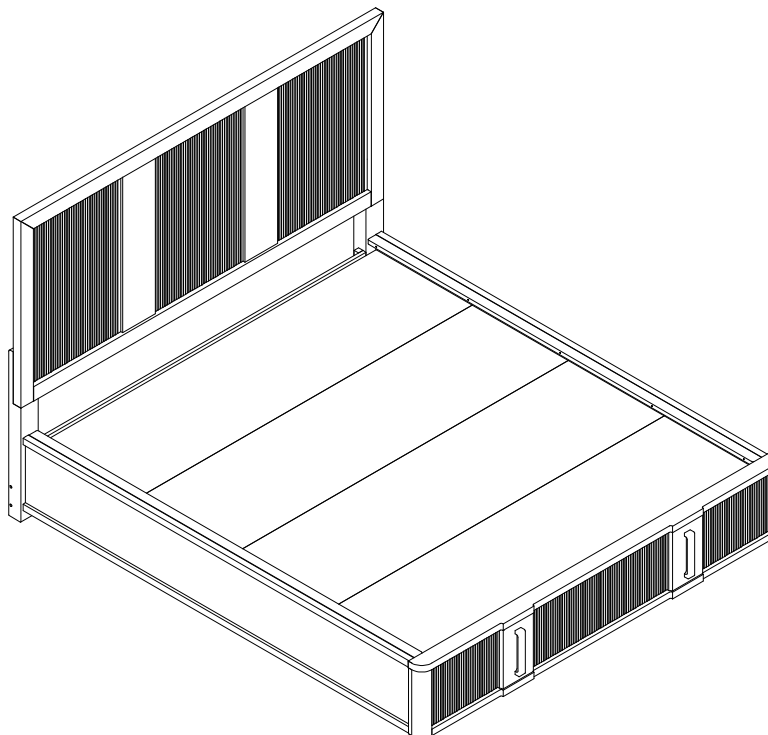
STEP 4



STEP 5

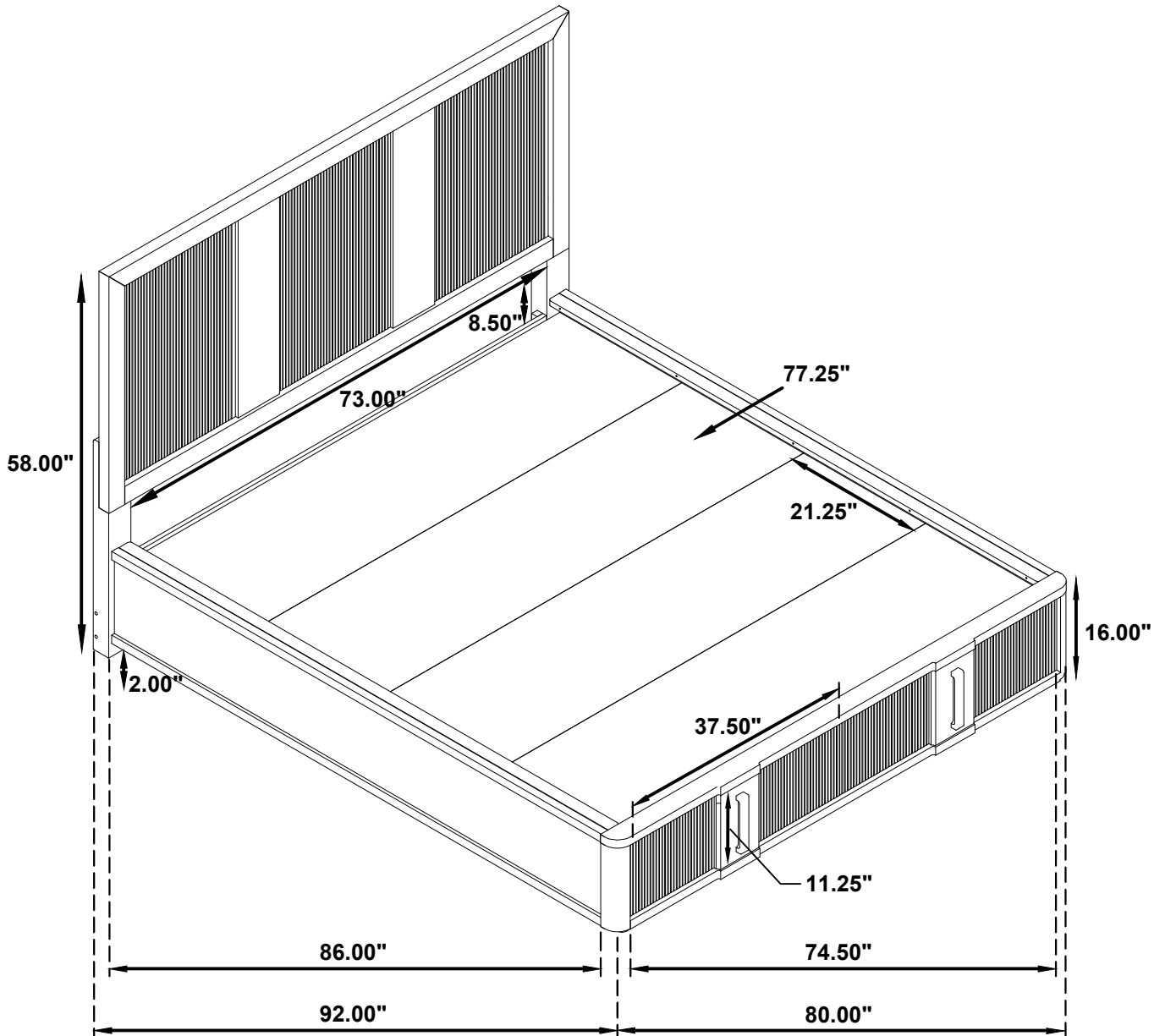


STEP 6



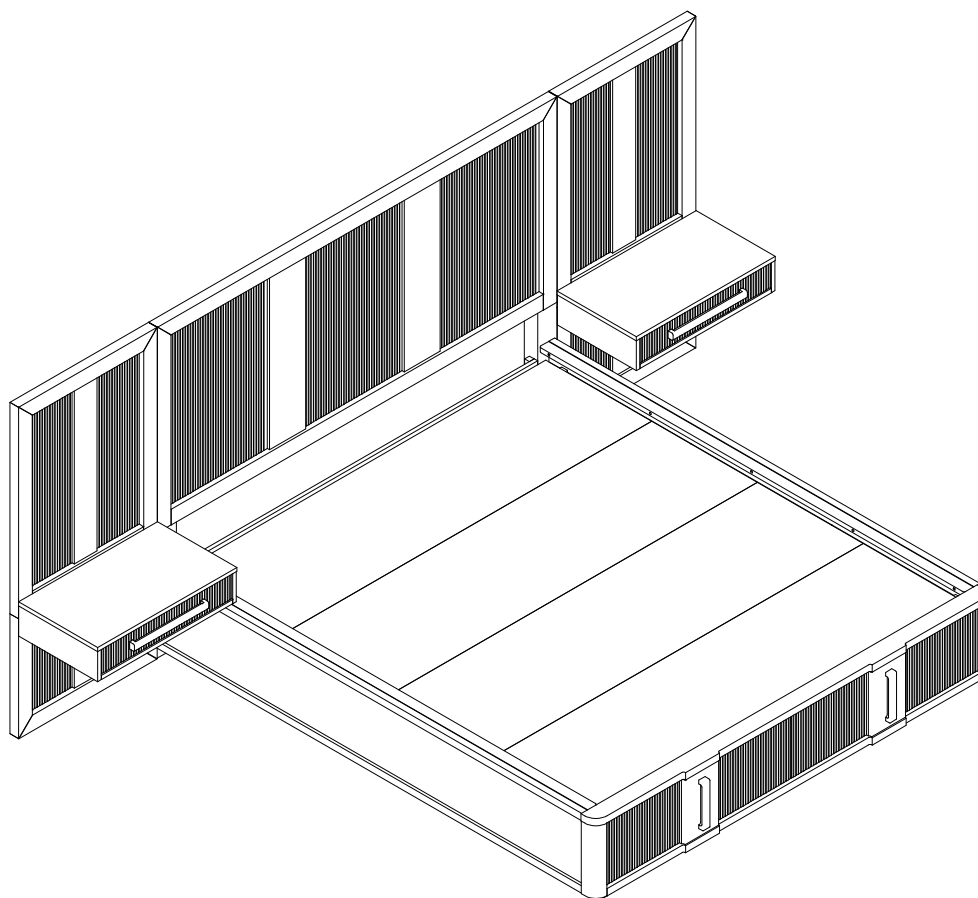
Inner Size : 77.25"W x 86.00"D

Inner Size of Drawer : 33.75"W x 22.75"D x 7.25"H x 0.25T



Note : Dimension tolerance $\pm 5\%$

ASSEMBLY INSTRUCTIONS



Fine Furniture for every stage of life

Left & Right Wall Bed Panel With Nightand

ASSEMBLY INSTRUCTIONS

ASSEMBLY TIPS:

1. Remove hardware from box and sort by size.
2. Please check to see that all hardware and parts are present prior to start of assembly.
3. Please follow attached instructions in the same sequence as numbered to assure fast & easy assembly.



WARNING

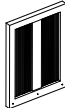
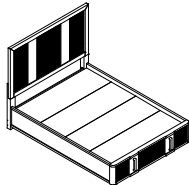

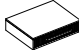
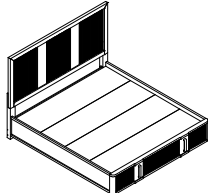

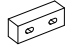
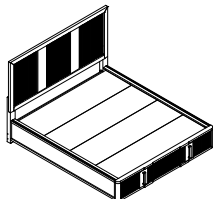
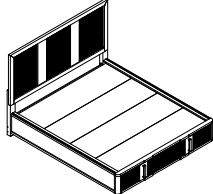
1. Don't attempt to repair or modify parts that are broken or defective. Please contact the store immediately.
- 2 This product is for home use only and not intended for commercial establishments.




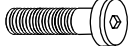





ASSEMBLY TIME

20 MINUTES

PARTS IDENTIFICATION

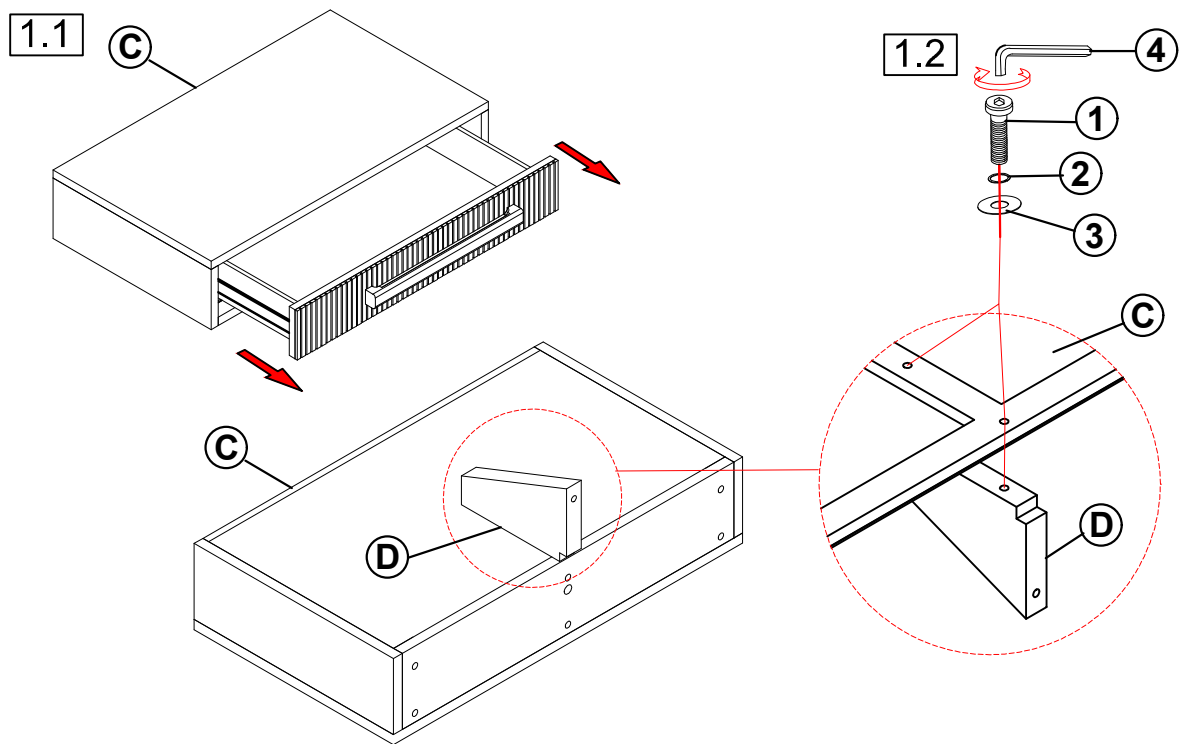
A	TOP PANEL		2PCS	BD	BED		1SET
B	BOTTOM PANEL		2PCS				
C	DRAWER		2PCS				1SET
D	DRAWER SUPPORT		2PCS				
E	TOP PANEL SUPPORT		4PCS				1SET
F	BOTTOM PANEL SUPPORT		2PCS				

HARDWARE IDENTIFICATION

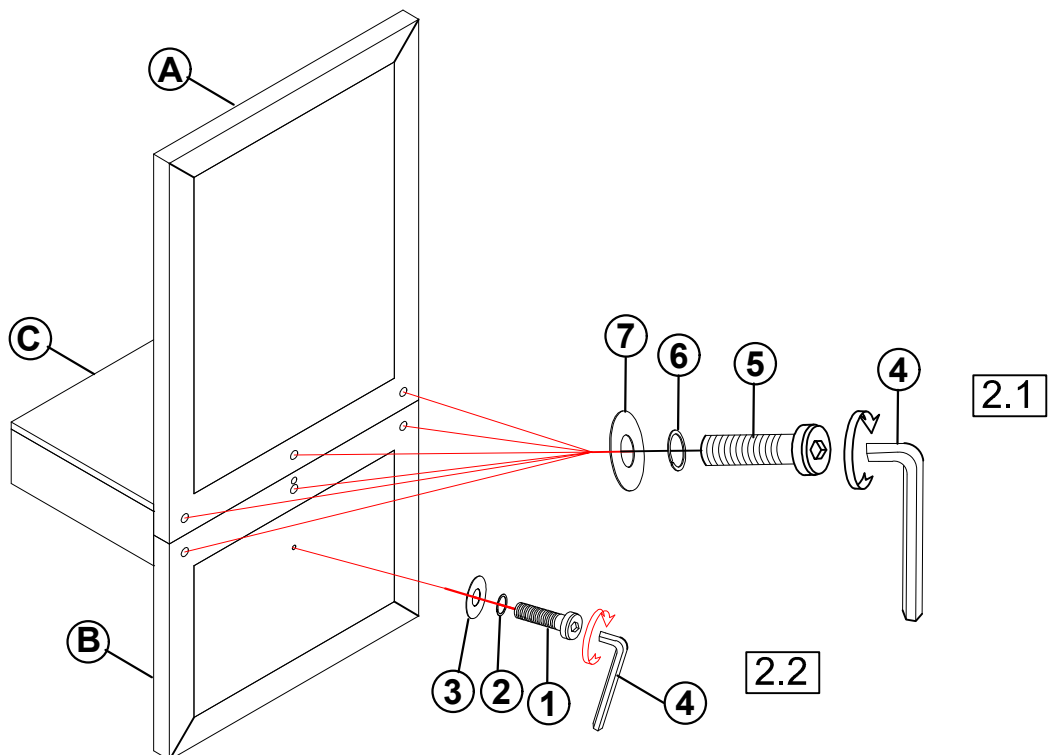
1	SHORT BOLT (1/4" x 45mm - RBW)		6PCS	5	LONG BOLT (5/16" x 50mm - RBW)		28PCS
2	SMALL LOCK WASHER (1/4" - RBW)		6PCS	6	BIG LOCK WASHER (5/16" - RBW)		28PCS
3	SMALL FLAT WASHER (1/4" x 19 x 1.5mm - RBW)		6PCS	7	BIG FLAT WASHER (5/16" x 19 x 1.5mm - RBW)		28PCS
4	ALLEN WRENCH (74 x 30 x 4mm - RBW)		1PC				

ASSEMBLY INSTRUCTIONS

STEP 1

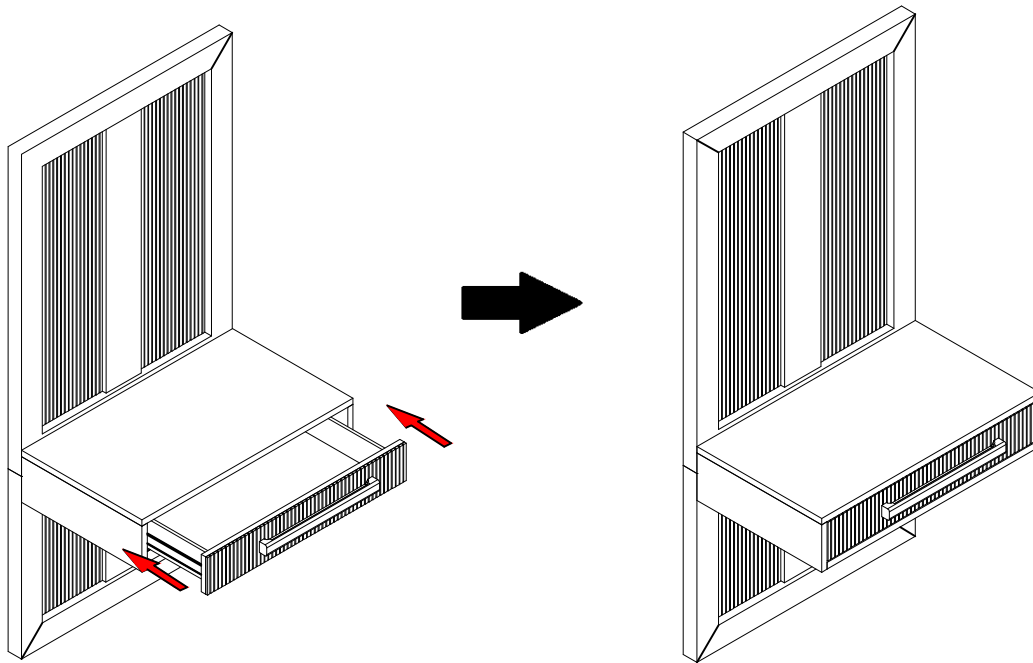


STEP 2

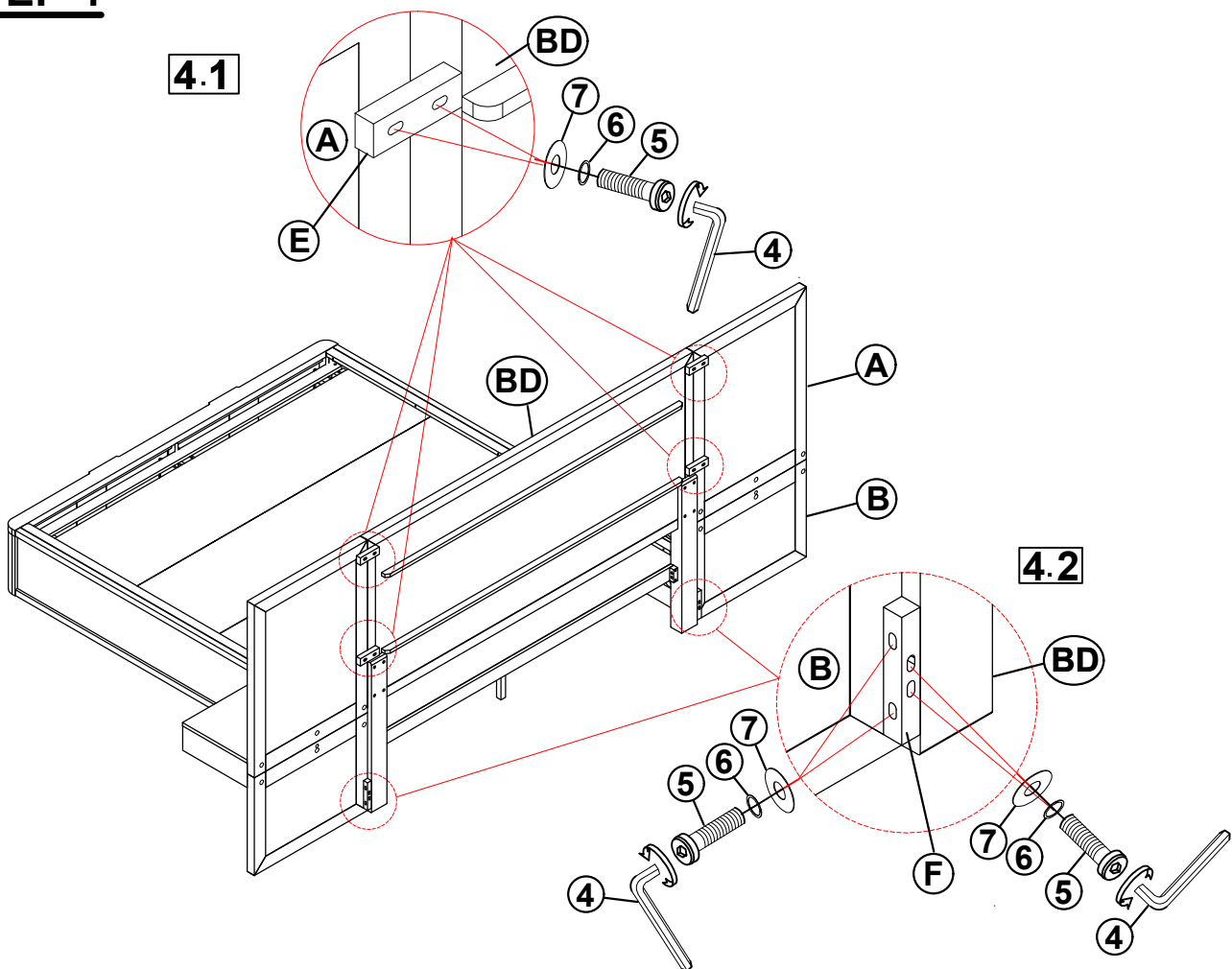


ASSEMBLY INSTRUCTIONS

STEP 3



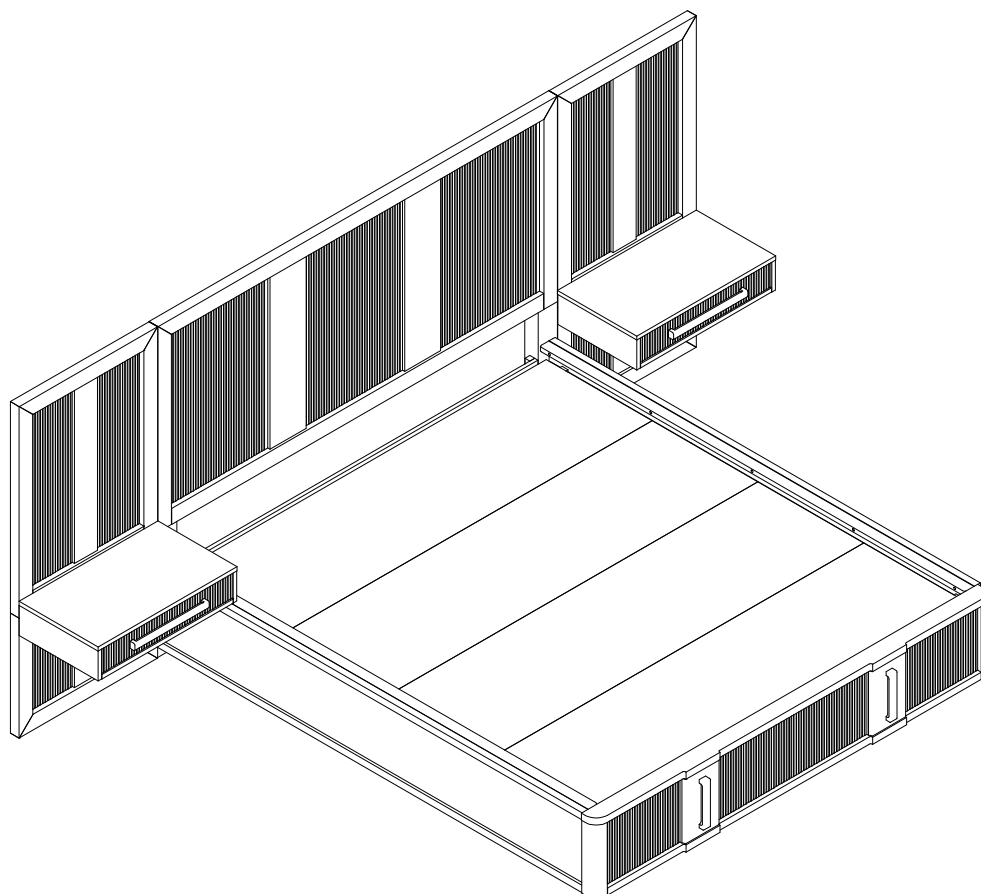
STEP 4



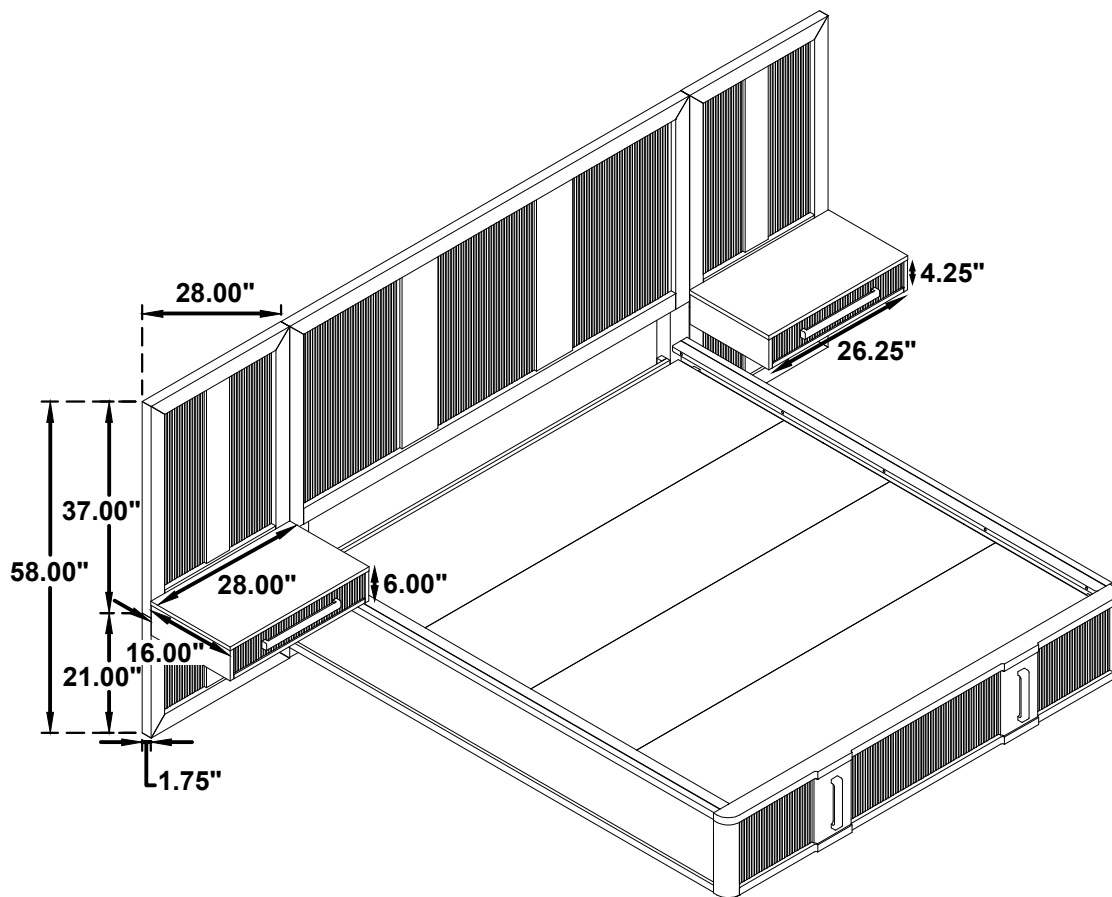
ASSEMBLY INSTRUCTIONS

STEP 5

COMPLETE



Inner Size of Drawer : 23.25"W x 12.75"D x 2.75"H x 0.25T



Note : Dimension tolerance $\pm 5\%$

ASSEMBLY INSTRUCTIONS



Fine Furniture for every stage of life

Dresser

ASSEMBLY INSTRUCTIONS

ASSEMBLY TIPS:

- 1.Remove hardware from box and sort by size.
- 2.Please check to see that all hardware and parts are present prior to start of assembly.
- 3.Please follow attached instructions in the same sequence as numbered to assure fast & easy assembly.



WARNING

- 1.Don't attempt to repair or modify parts that are broken or defective. Please contact the store immediately.
- 2 This product is for home use only and not intended for commercial establishments.

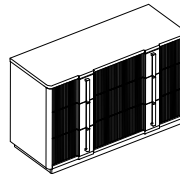


ASSEMBLY TIME

5 MINUTES

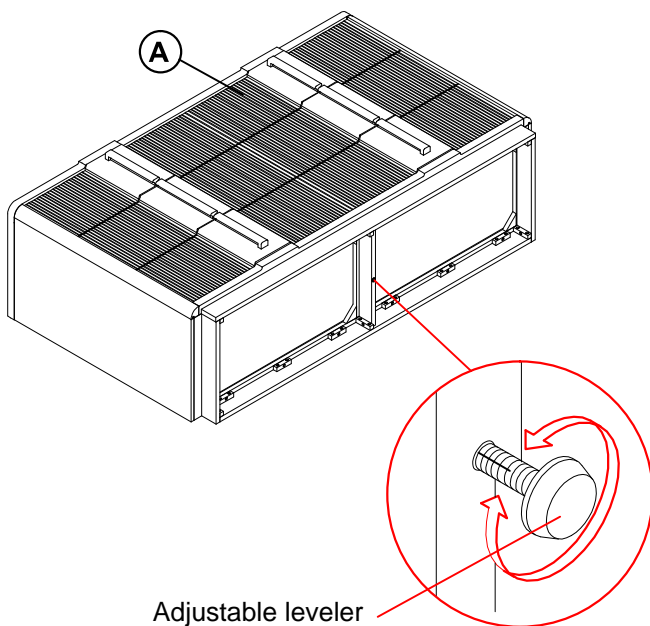
PARTS IDENTIFICATION

A DRESSER



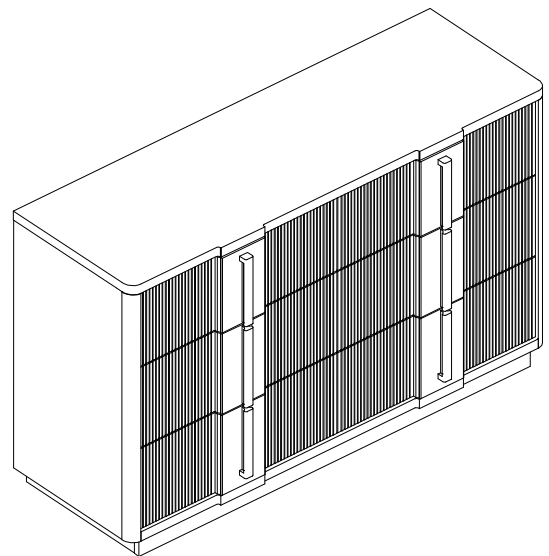
1PC

STEP 1



Adjustable leveler

STEP 2 COMPLETE



ANTI-TIPPING INSTALLATION INSTRUCTIONS

FURNITURE TIPPING RESTRAINT

WARNING

Injury may result from tipping furniture.

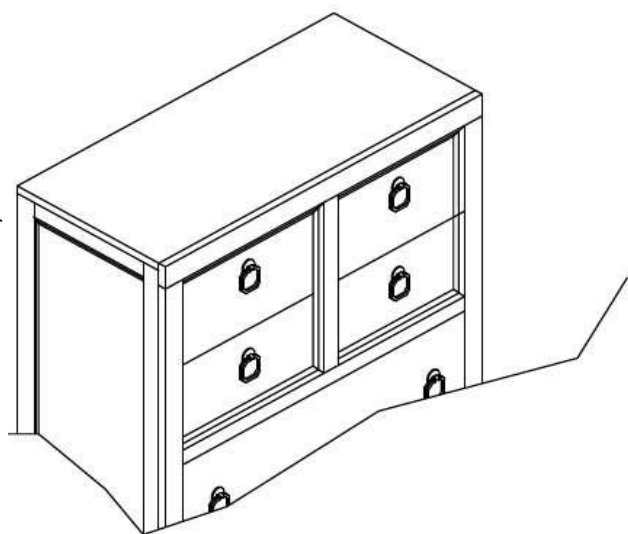
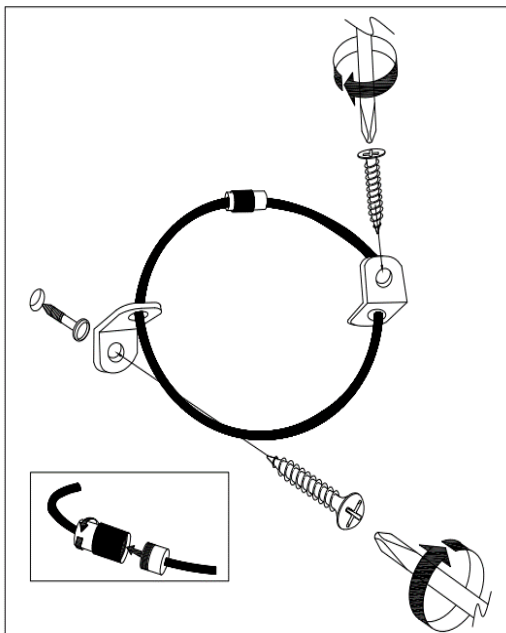
This restraint may protect against tipping furniture.

Do not allow children to climb on furniture.

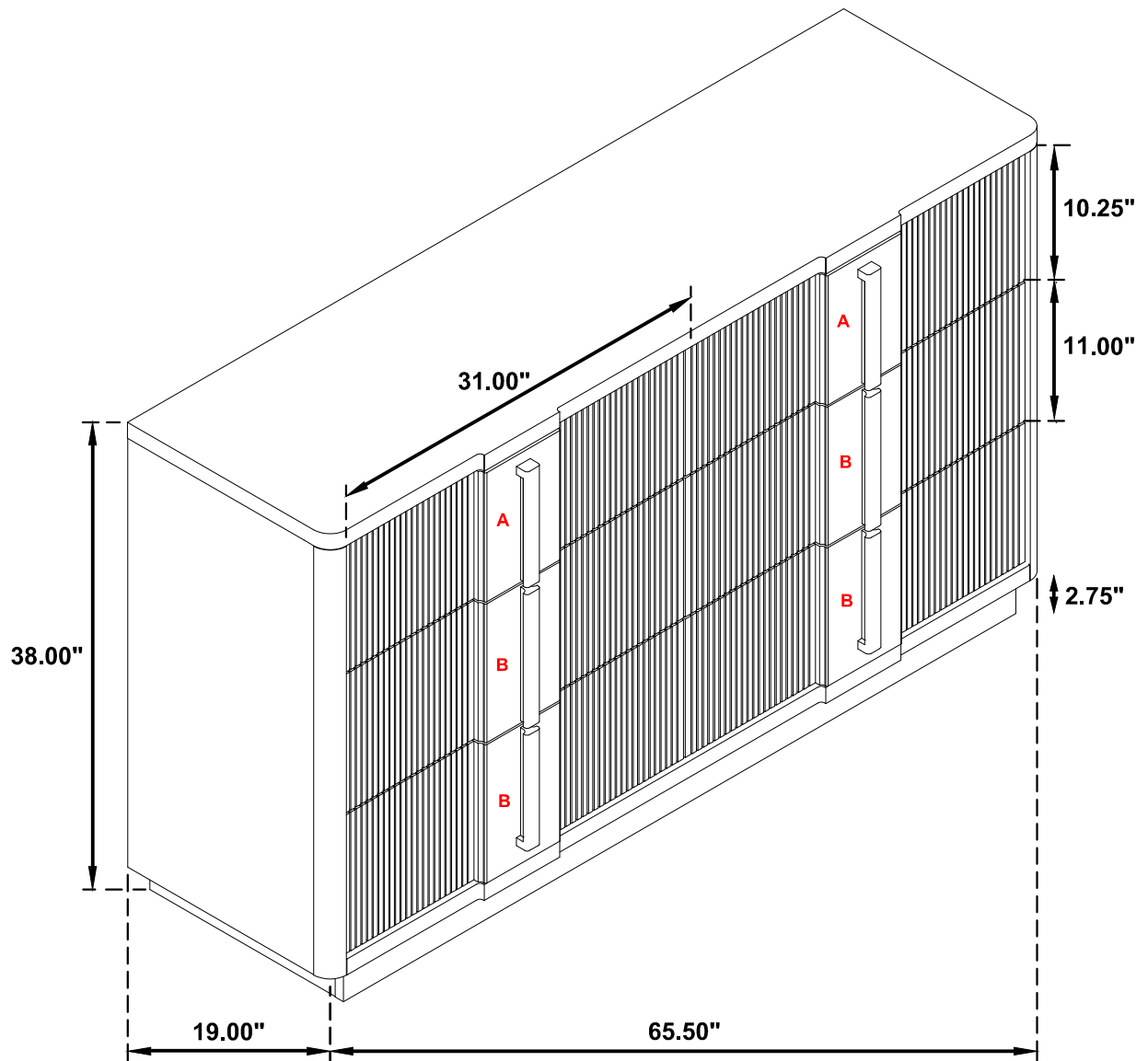
This restraint is not a substitute for proper adult supervision.

Failure to detach this restraint before moving the furniture may result in injury and damage.

1. Attach one of the mounting brackets securely to the back edge of the unit, using the short screw.
2. Determine where the unit is to be placed, and mark the location on the wall for the other mounting bracket. The bracket on the wall needs to be approximately 2" below the bracket mounted to the edge of the unit.
3. Drill a hole in the wall. Insert the plastic wall anchor into the hole and if necessary, use a small block of wood and hammer to tap it in so that it's flush with the wall.
4. Attach the bracket over the plastic wall anchor using the long screw.
5. Place the unit against the wall, both brackets need to be facing each other.
6. Lace an end of the restraint strap through the hole in each bracket. Bring both ends together and rotate the thumb nut onto the threaded end until tight.
7. Ensure that the restraint strap is securely laced and locked.

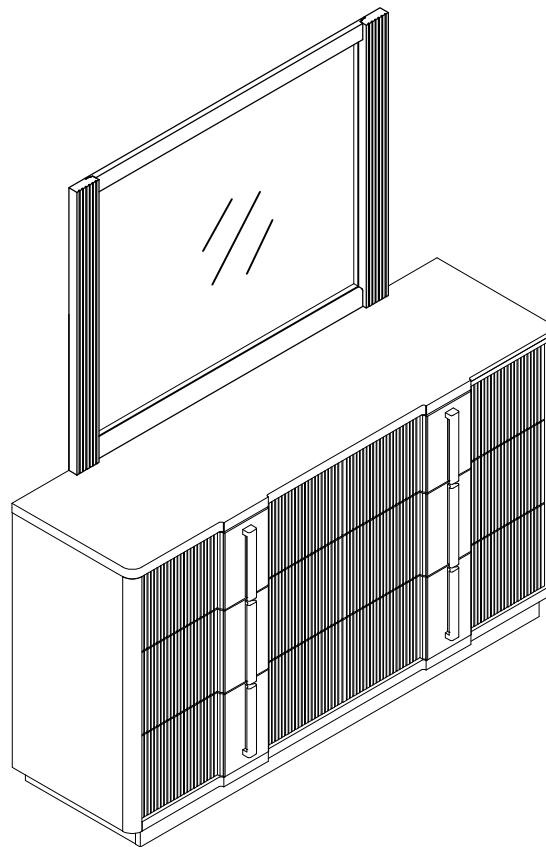


Inner Size of Drawer A : 29.00"W x 13.75"D x 7.25"H x 0.25"T
Inner Size of Drawer B : 29.00"W x 13.75"D x 8.50"H x 0.25"T



Note : Dimension tolerance $\pm 5\%$

ASSEMBLY INSTRUCTIONS



Fine Furniture for every stage of life

Mirror

ASSEMBLY INSTRUCTIONS

ASSEMBLY TIPS:

- 1.Remove hardware from box and sort by size.
- 2.Please check to see that all hardware and parts are present prior to start of assembly.
- 3.Please follow attached instructions in the same sequence as numbered to assure fast & easy assembly.



WARNING

- 1.Don't attempt to repair or modify parts that are broken or defective. Please contact the store immediately.
- 2 This product is for home use only and not intended for commercial establishments.

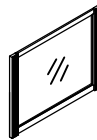


ASSEMBLY TIME

5 MINUTES

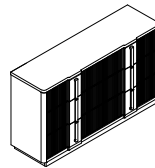
PARTS IDENTIFICATION

A MIRROR



1PC

B DRESSER



1PC

C MIRROR SUPPORT
(PACKED WITH DRESSER)



2PCS

HARDWARE IDENTIFICATION

1 BOLT
(1/4" x 32mm - RBW)



6PCS

2 LOCK WASHER
(1/4" - RBW)



6PCS

3 FLAT WASHER
(1/4" x 19 x 1.5mm - RBW)



6PCS

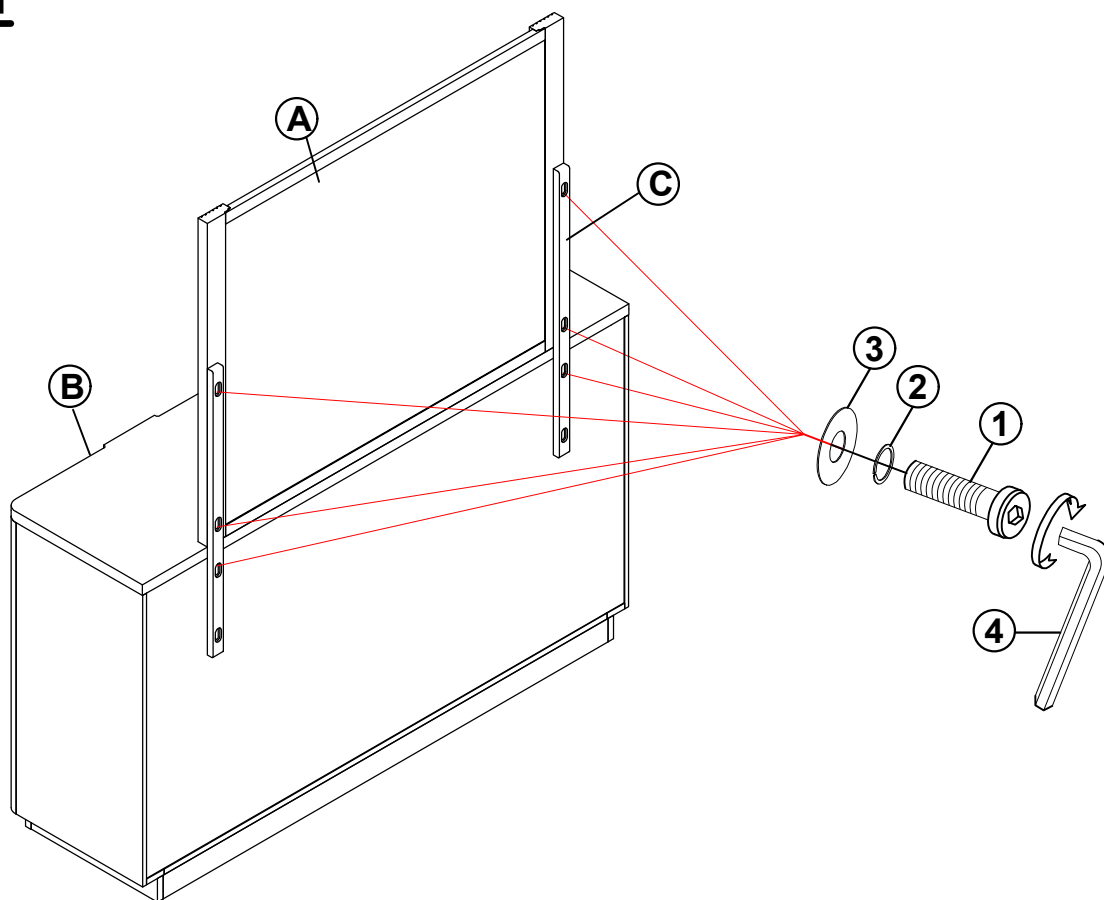
4 ALLEN WRENCH
(4mm - RBW)



1PC

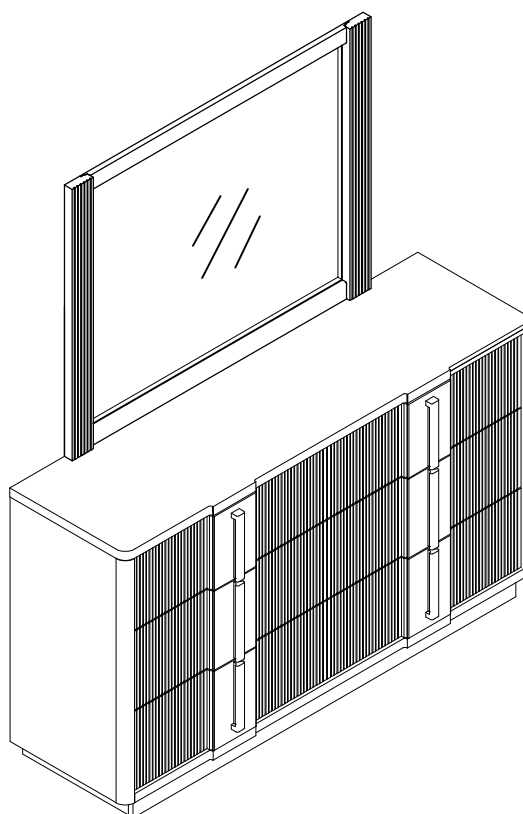
ASSEMBLY INSTRUCTIONS

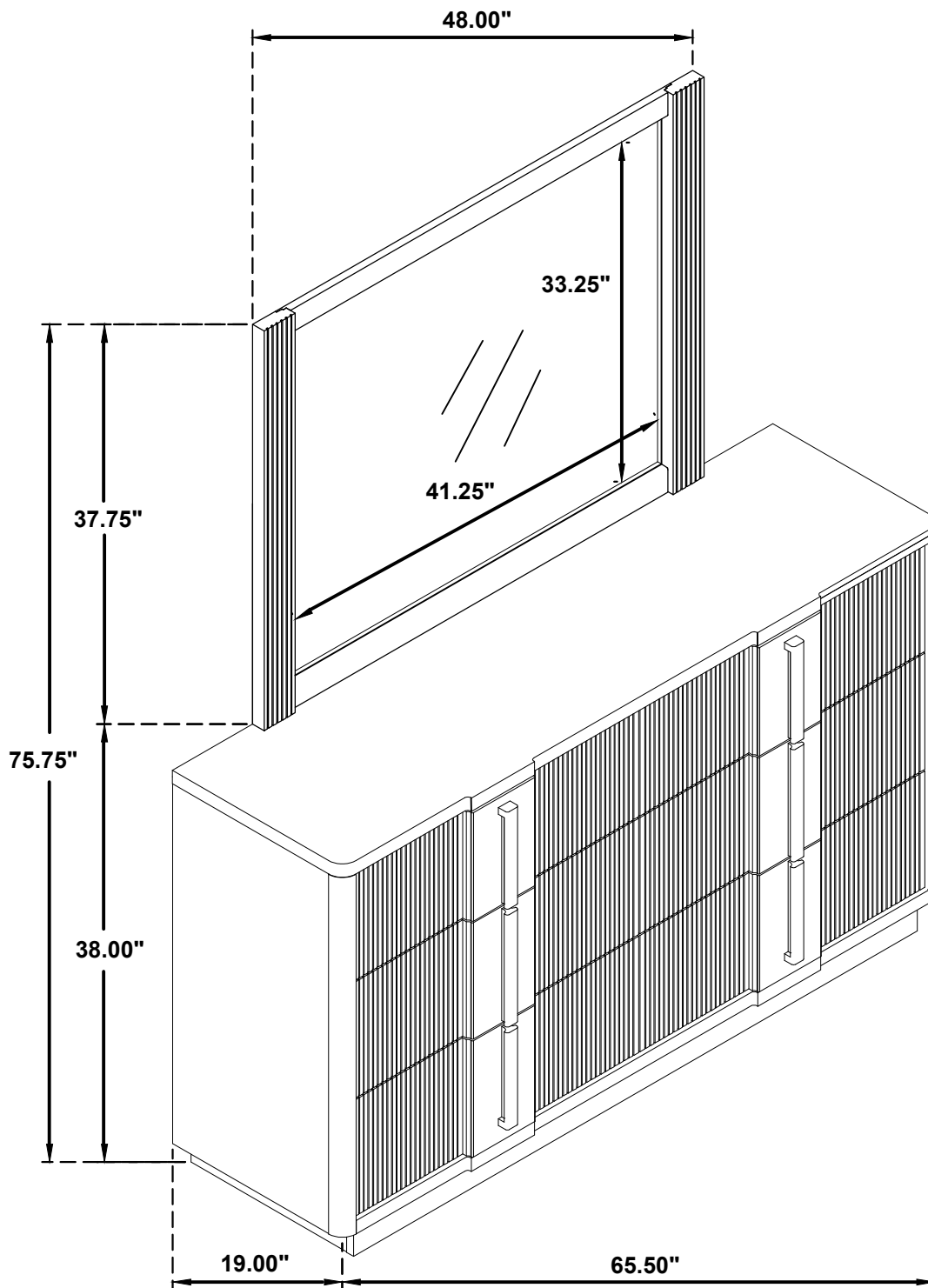
STEP 1



STEP 2

COMPLETE





Note : Dimension tolerance $\pm 5\%$