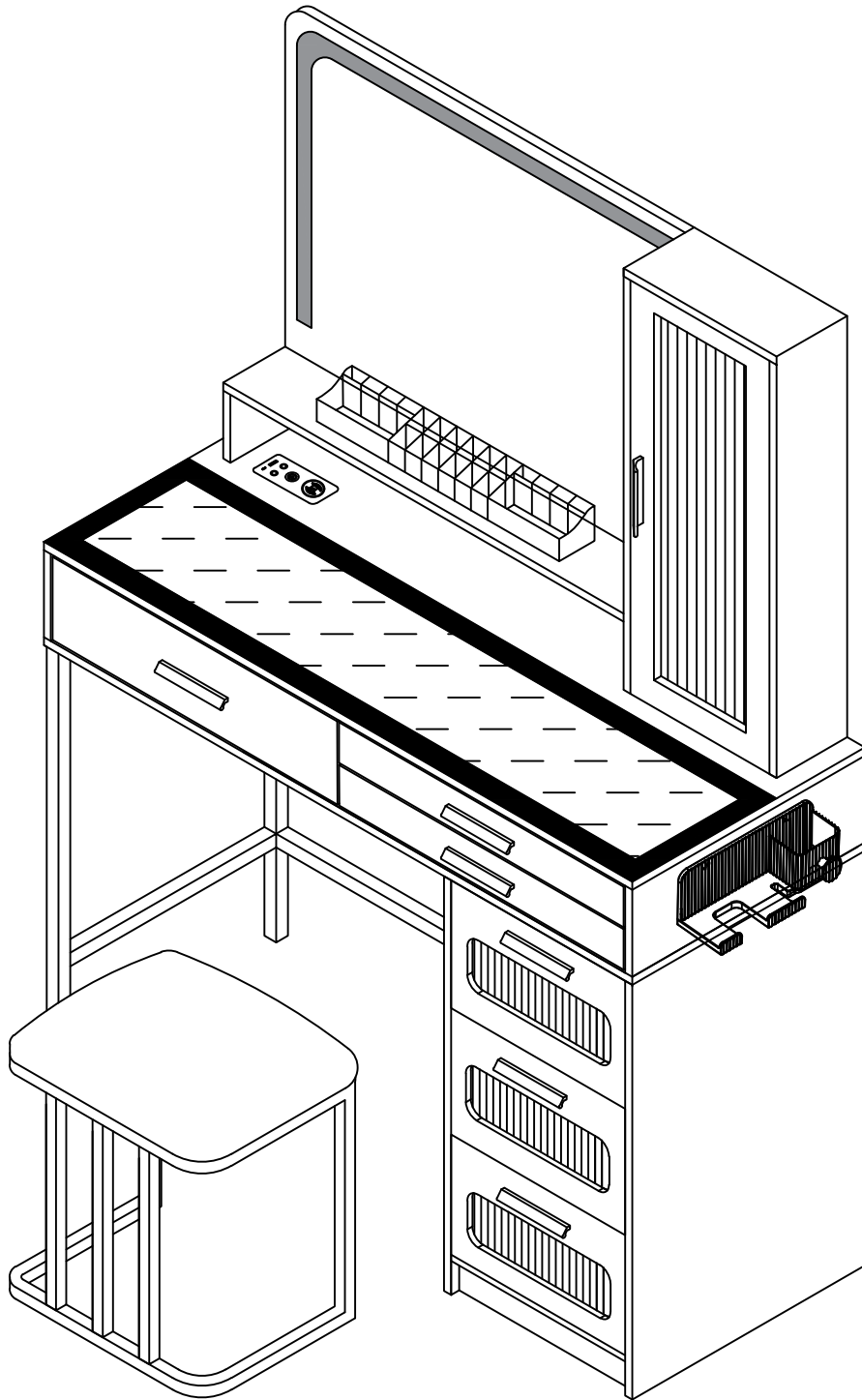
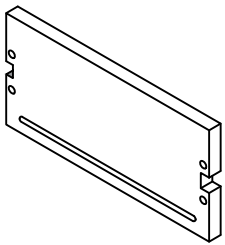
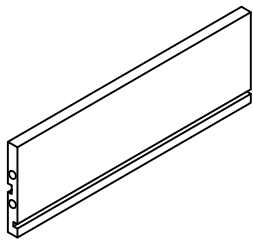


Vanity Table Manual

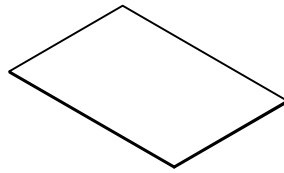




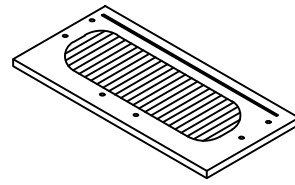
Ax3



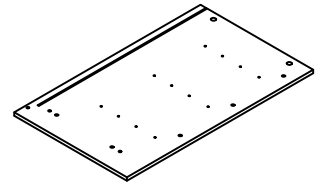
Bx6



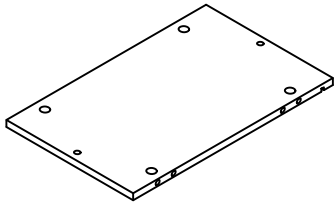
Cx3



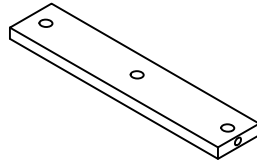
Dx3



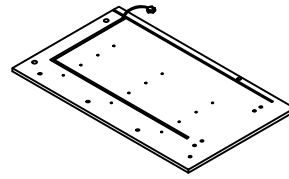
Ex1



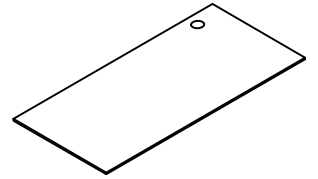
Fx1



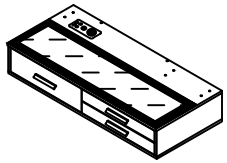
Gx1



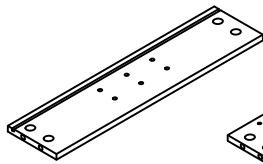
Ix1



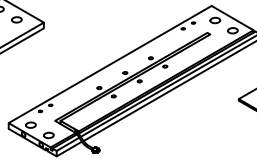
Jx1



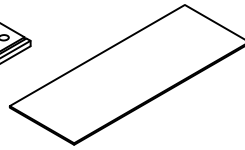
Kx1



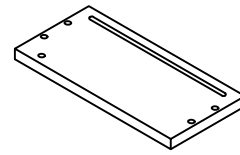
Lx1



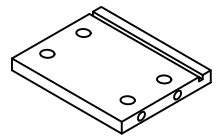
Mx1



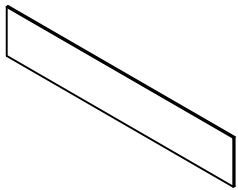
Nx1



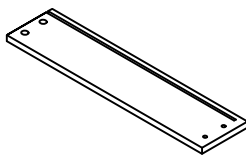
Ox1



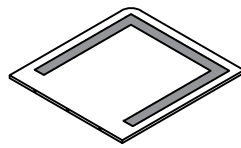
Px1



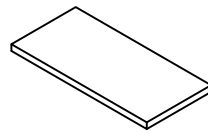
Qx1



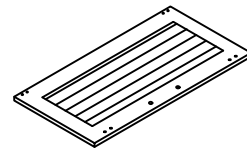
Rx1



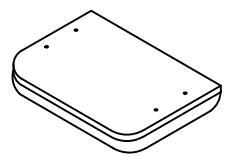
Sx1



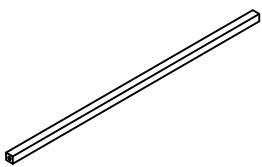
Tx1



Ux1

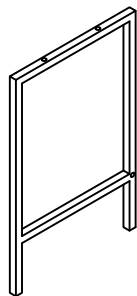


Vx1



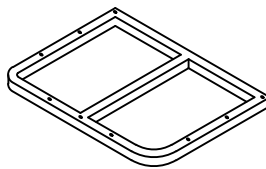
644x20x20

Wx1

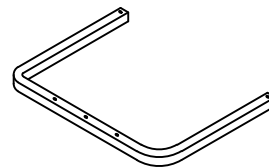


610x390x20x20

Xx1



Yx1



Y2x1



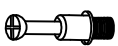


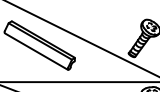
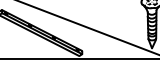



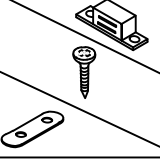


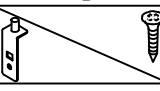





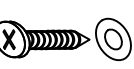


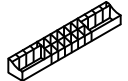

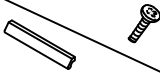
360x20x20mm

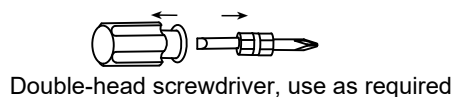
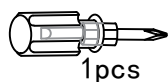
Zx5



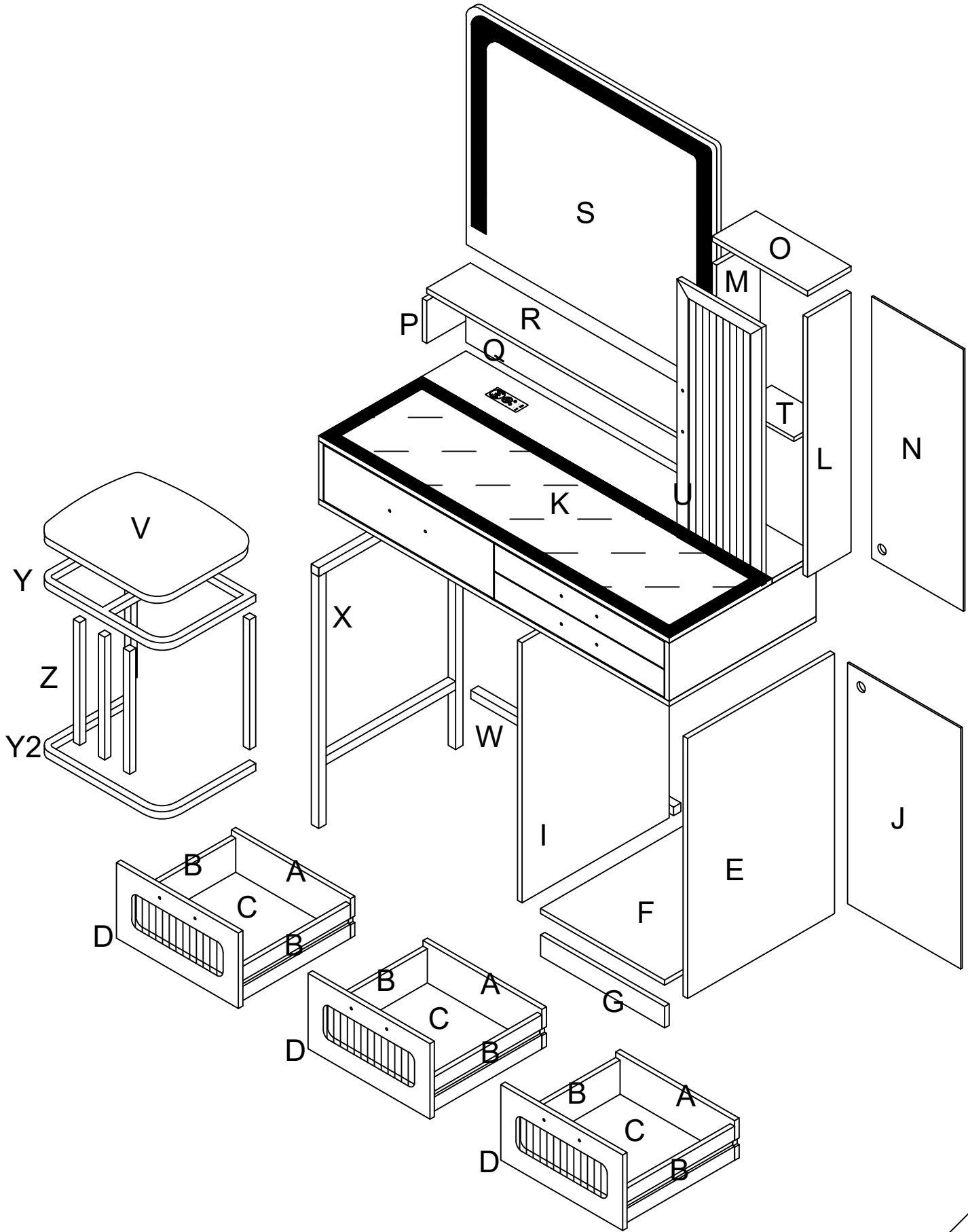
1

Accessories list

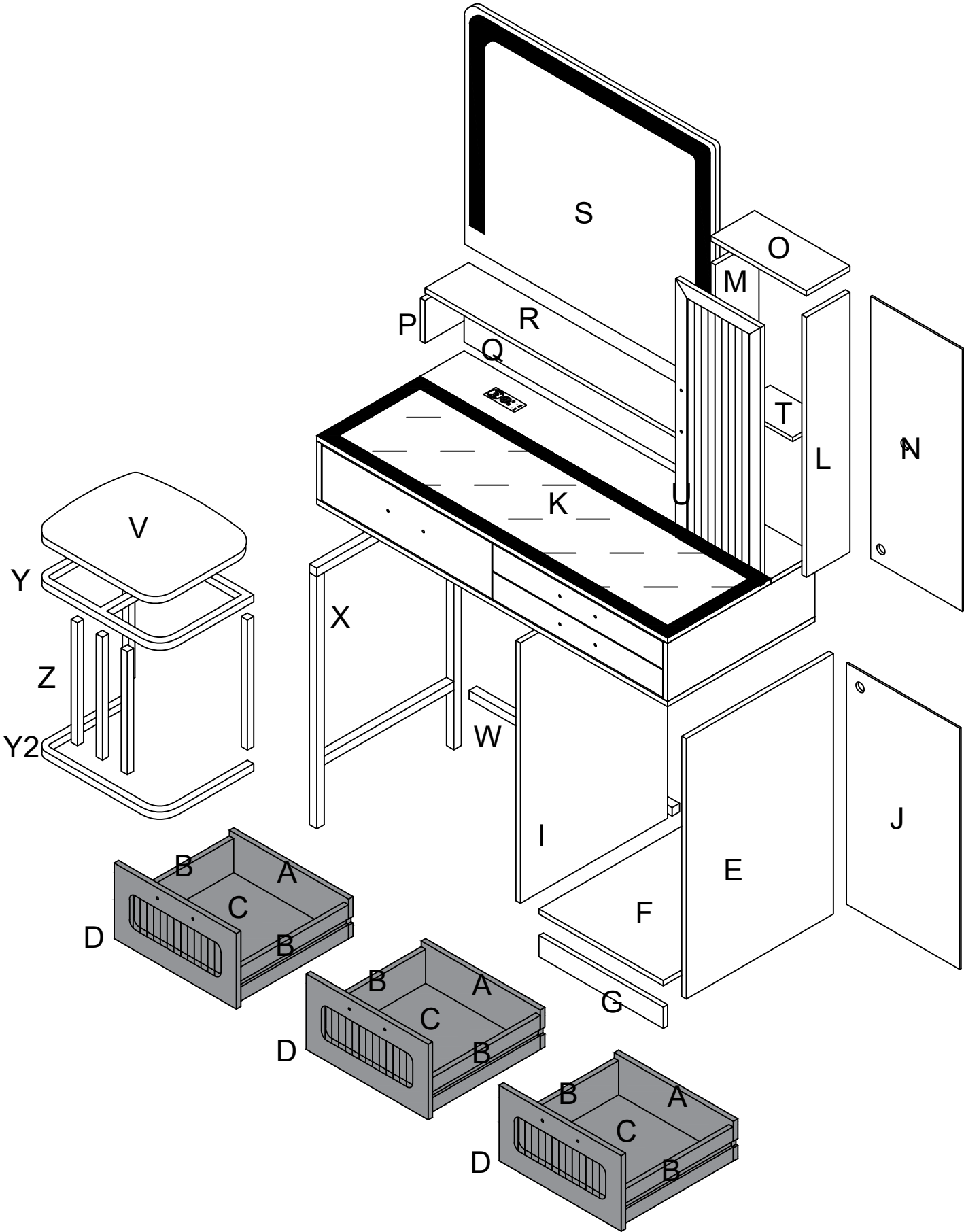
①		Two In One Screw (6x28mm)	62pcs +4pcs
②		Two In One Nut (10x12mm)	62pcs +4pcs
③		Wood Chipping (6x30mm)	4pcs +2pcs
④		Handle & screw (4x16mm)	4pcs 8pcs +2pcs
⑤		Rubber strip guide & Screw (3.5x18mm)	6pcs 24pcs +4pcs
⑥		Non-slip pads	4pcs +2pcs
⑦		Screw (6x28mm)	18pcs +1pcs
⑧		Fixing clip & screw (3x16mm)	6pcs +2pcs
⑨		Magnetic Attraction Screw (3x10mm) Iron Sheet	1pcs 6pcs +2pcs 2pcs
⑩		Clamp	2pcs +1pcs
⑪		Laminate support nail	4pcs
⑫		Cabinet Door Hinge & Screw (3.5x12mm)	2pcs 4pcs +1pcs
⑬		Iron bar	6pcs +1pcs
⑭		remote control	1pcs
⑮		AC/DC Adapter (12V=3.0A)	1pcs
⑯		Countersunk head tapping screw (4x45mm)	1pcs
⑰		anti-tipping tape	1pcs
⑱		Countersunk head tapping screw(4x16mm) gasket	1pcs
⑲		Protective sticker	2pcs
⑳		power cord extension cord	1pcs
㉑		Lipstick case	1pcs
㉒		Acrylic hair dryer holder Hexagonal machine wire (4x16mm)	1 Pcs 2 Pcs 1pcs
㉔		Handle & screw (4x25mm)	3pcs 6pcs +2pcs



Product structure decomposition

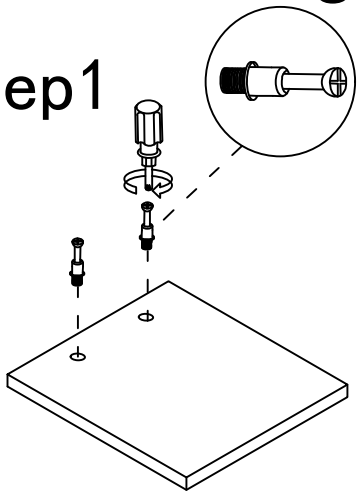


Product structure decomposition

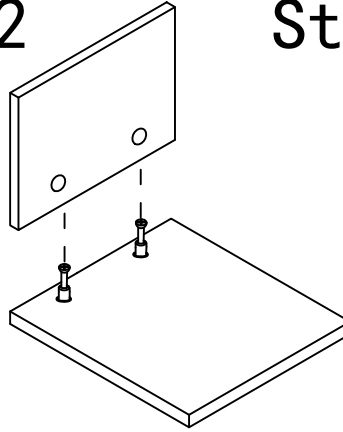


Use parts ① and ②

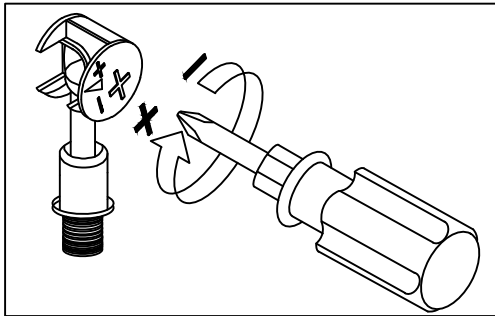
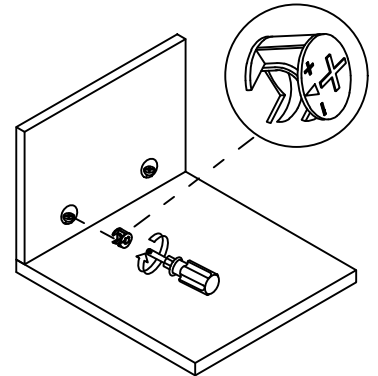
Step1



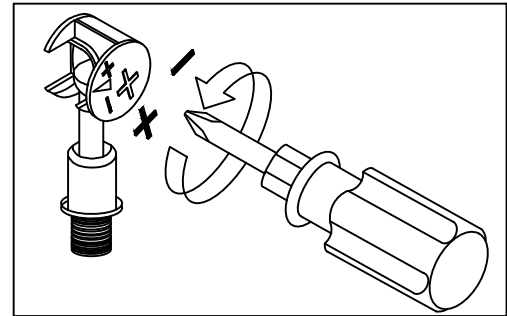
Step2



Step3

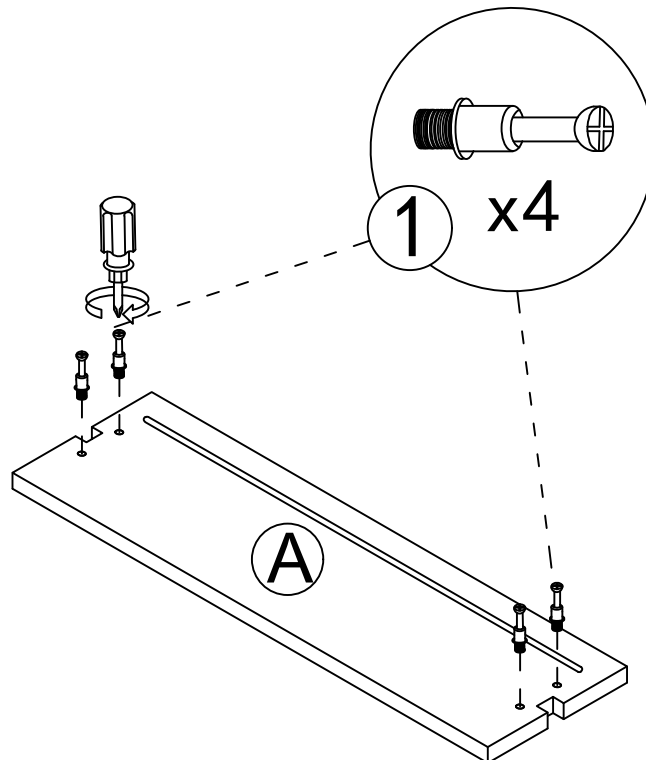
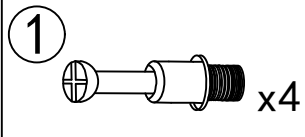


Use a screwdriver to lock in the direction of the "+" sign

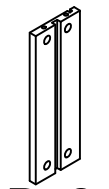
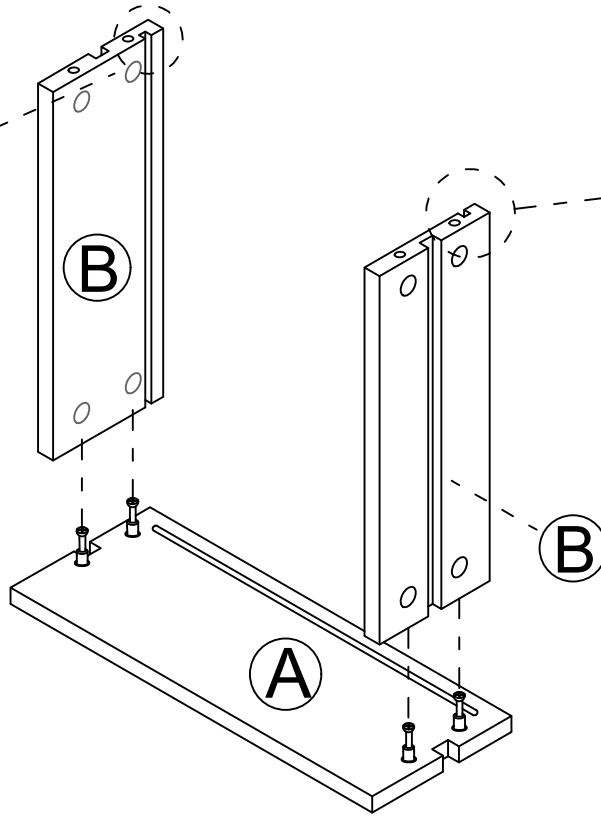
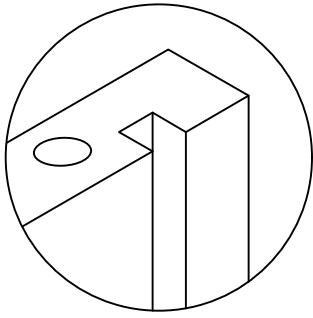


Disassemble along the direction of "-" sign

Step 1

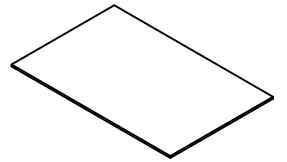
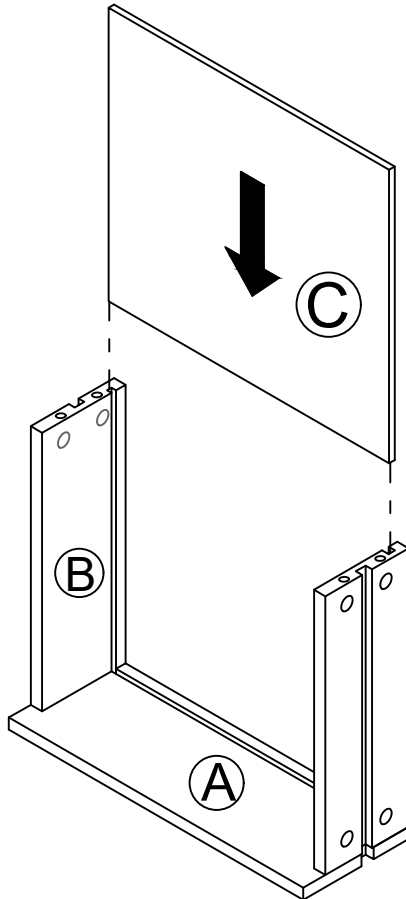


Step 2



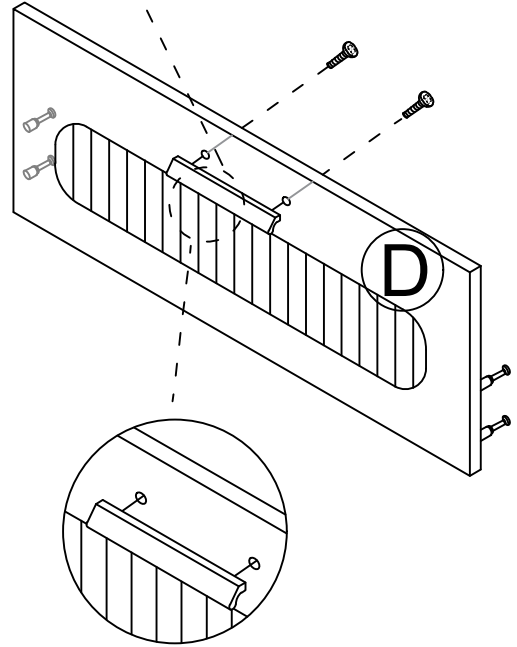
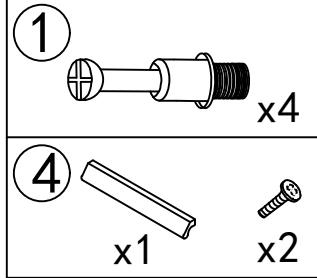
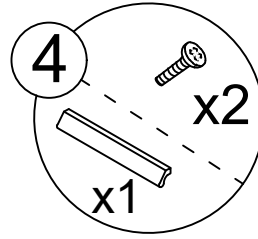
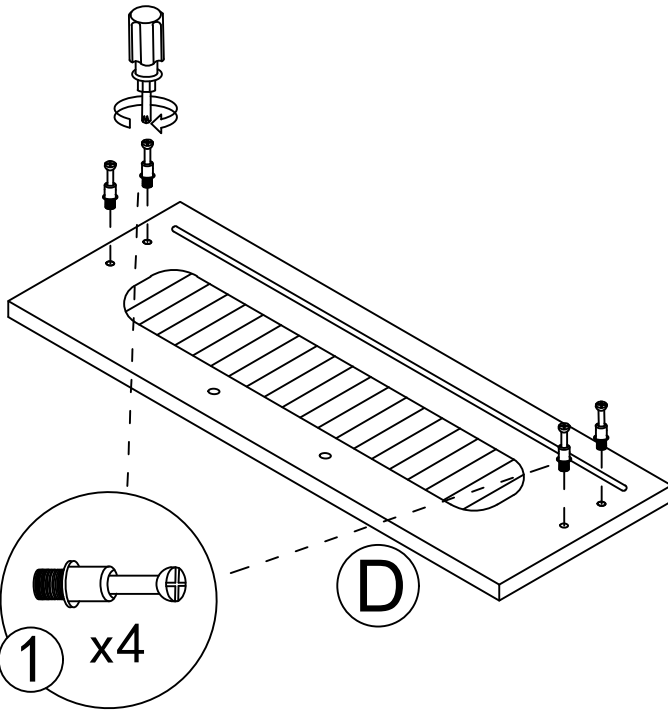
Bx2

Step 3

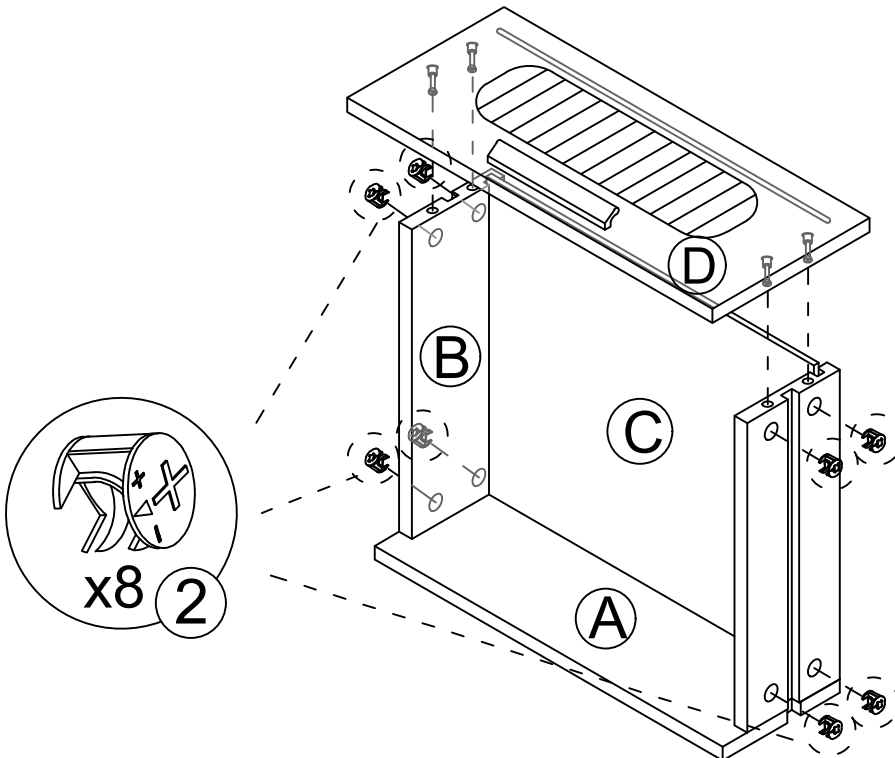


Cx1

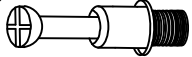

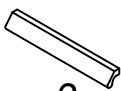

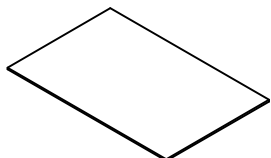
Step 4



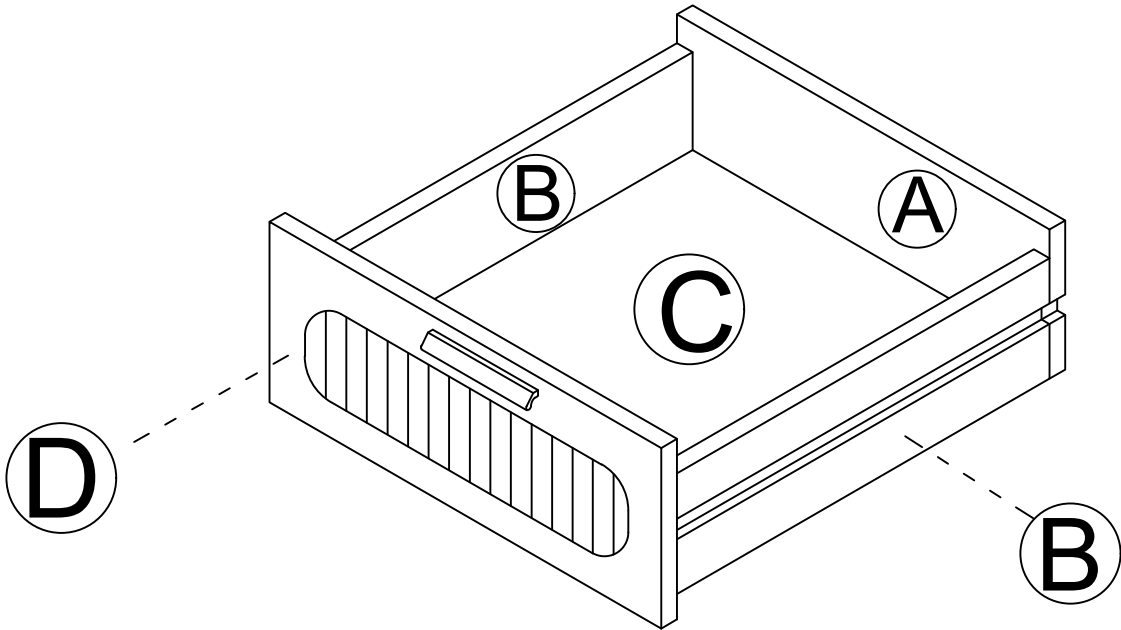
Step 5



Step 6

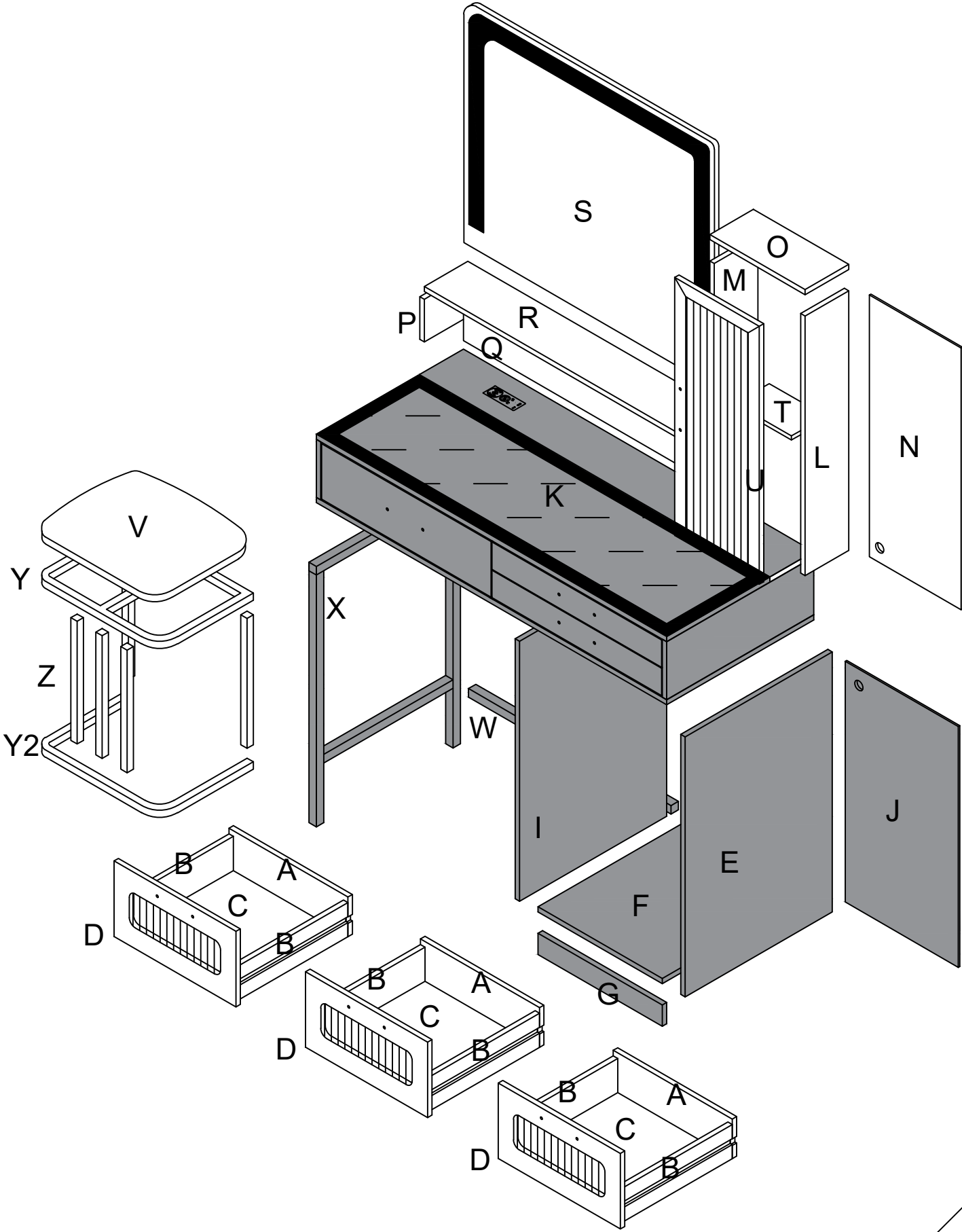
- ①  x24
- ②  x24
- ④  x3  x6
- 
Cx3

x3



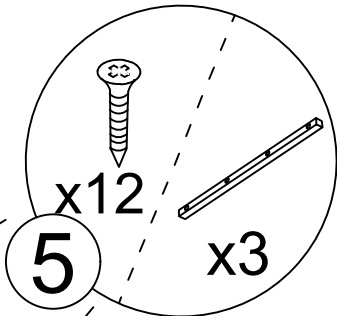
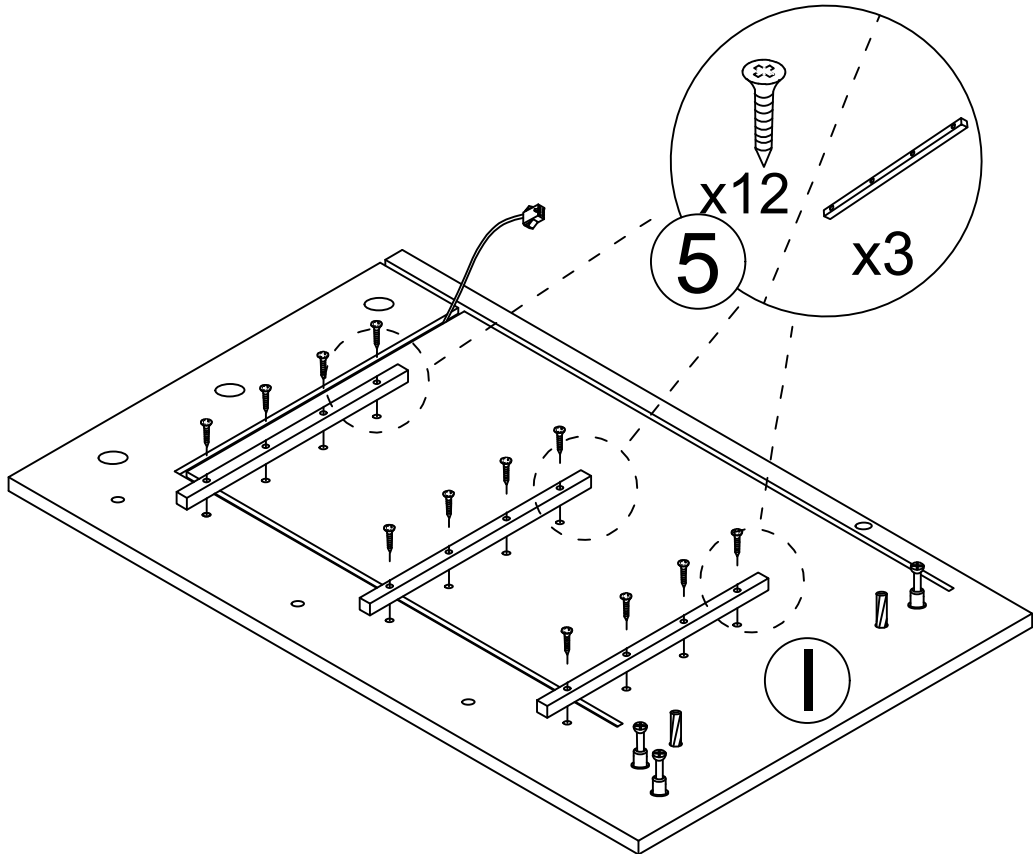
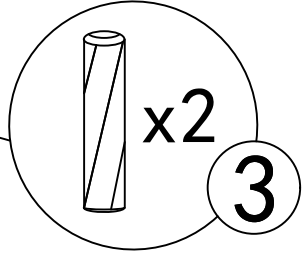
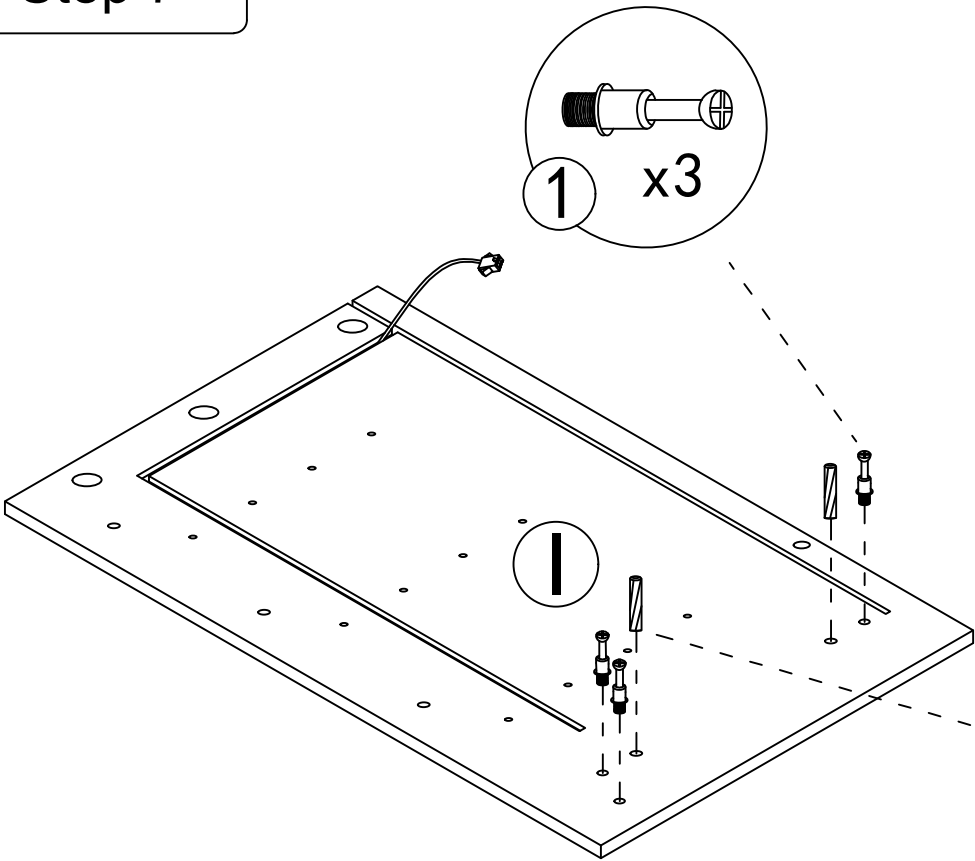
Repeat steps 1 to 6 3 times for drawer installation

Product structure decomposition

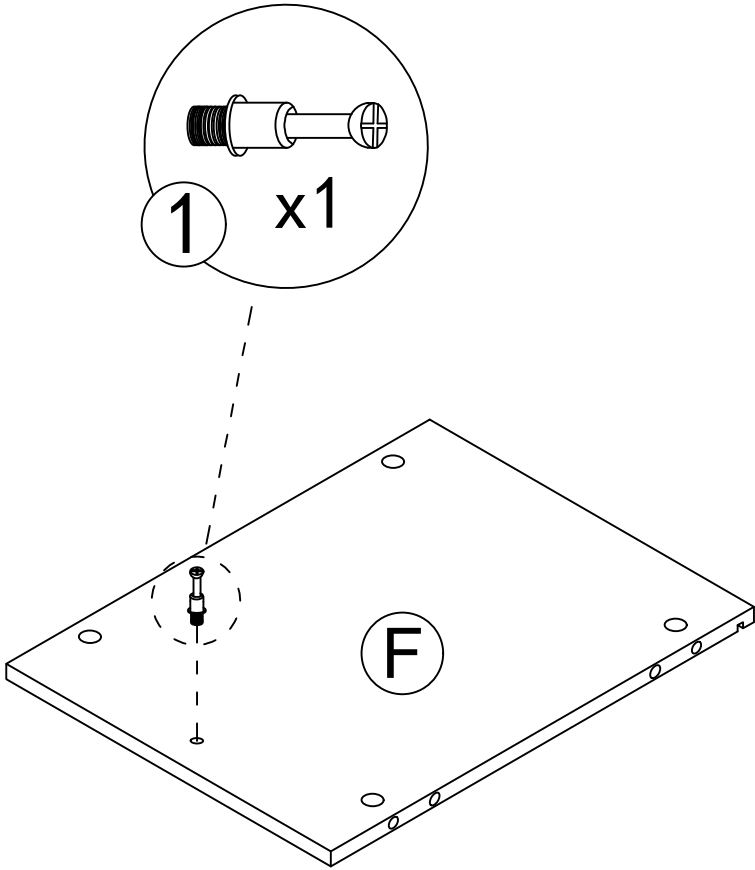
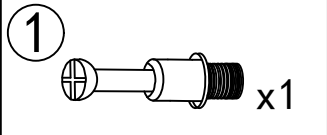


Step 7

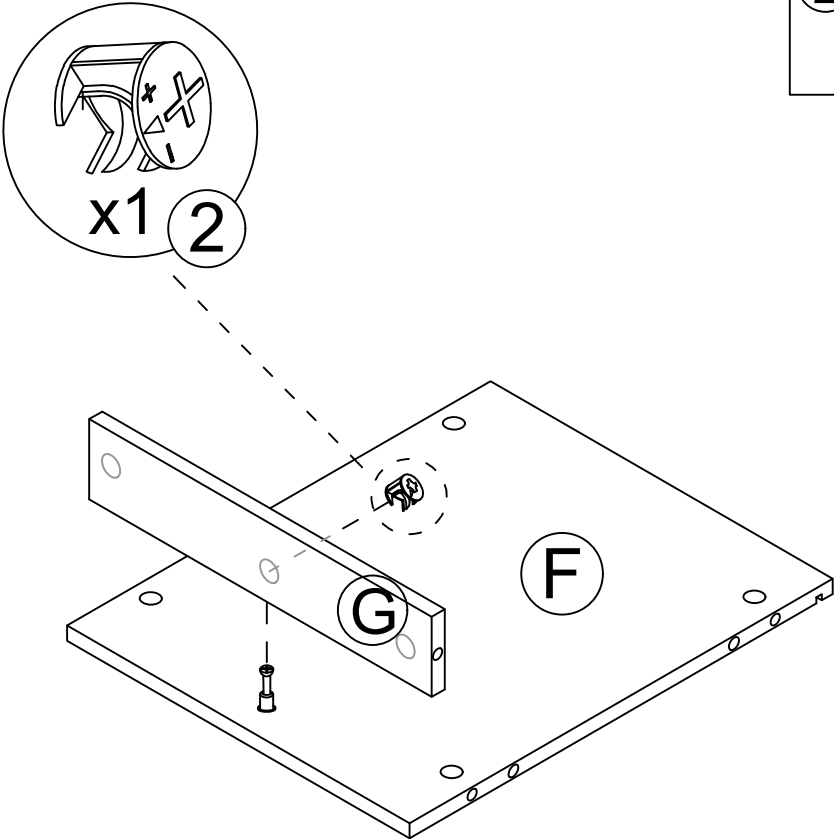
- 1 x3
- 3 x2
- 5 x3
- x12




Step 8

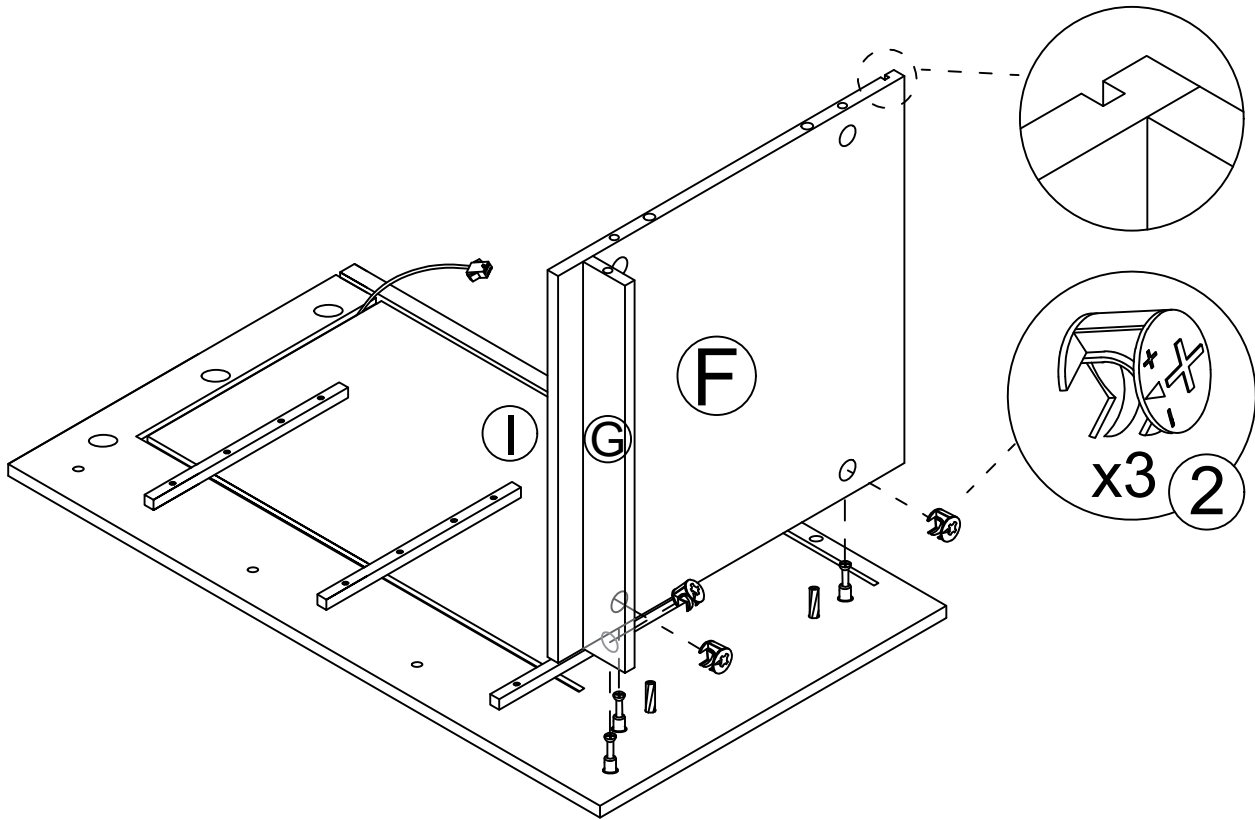


Step 9

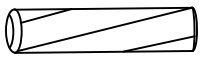


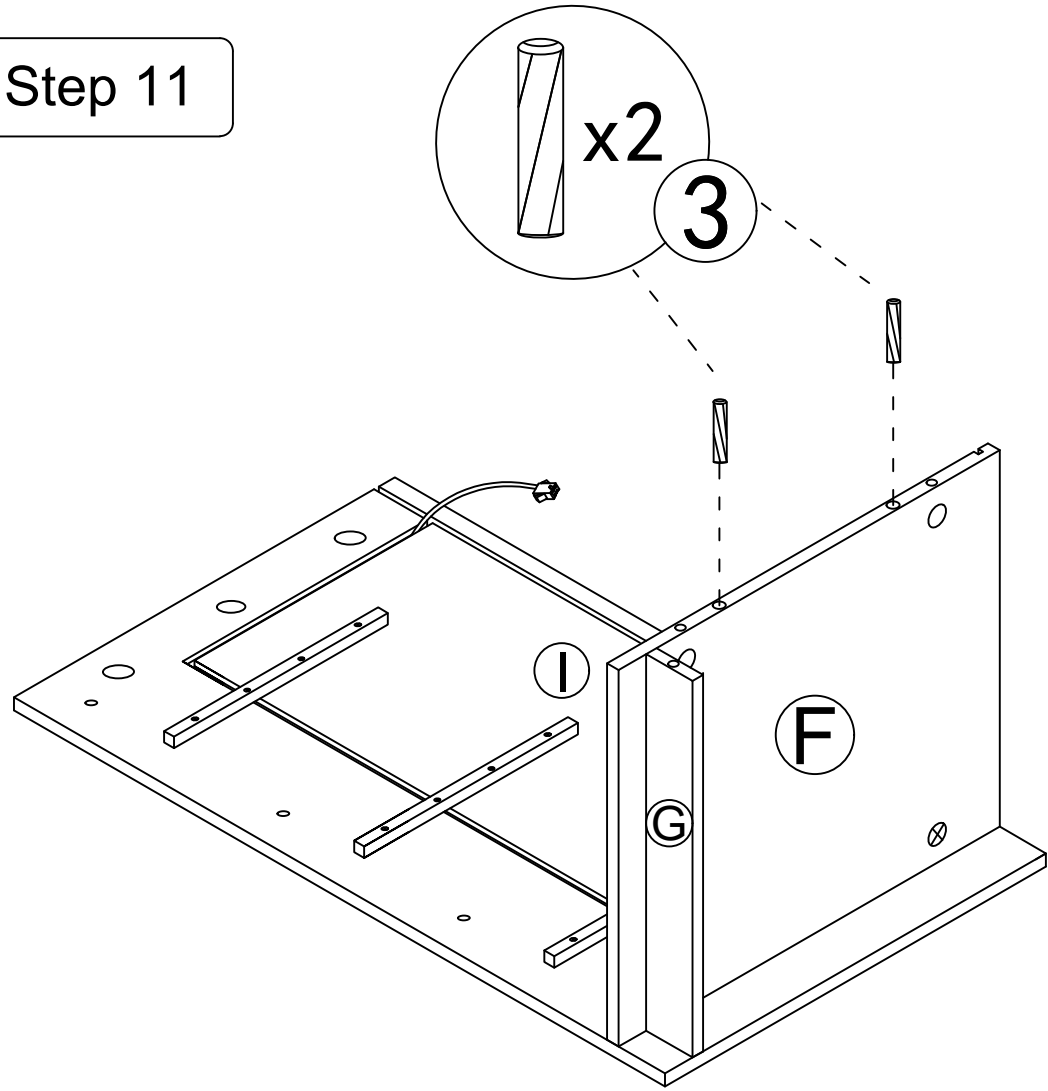
Step 10

2  x3

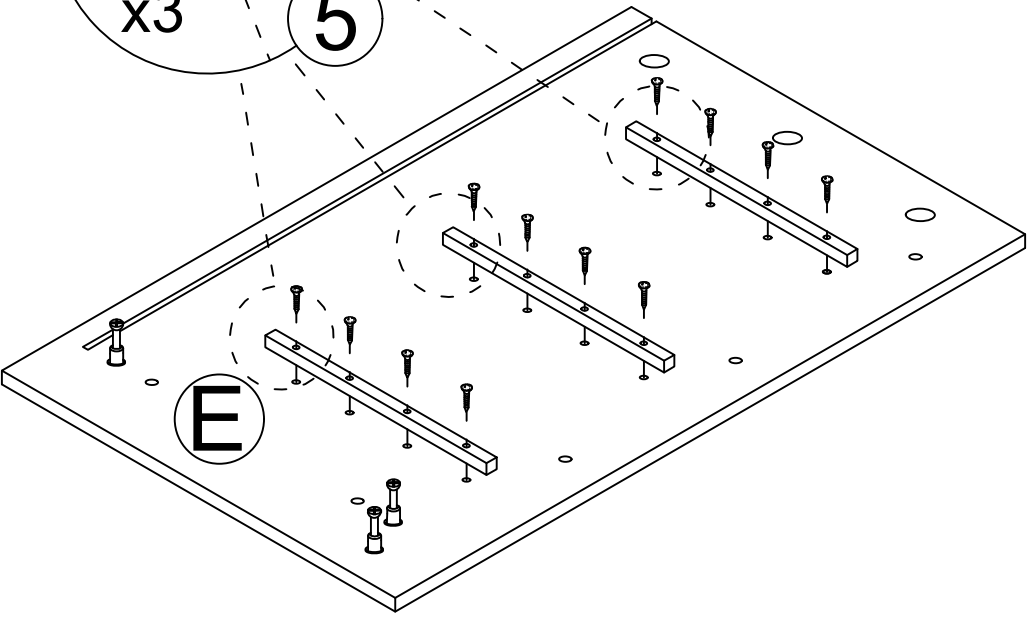
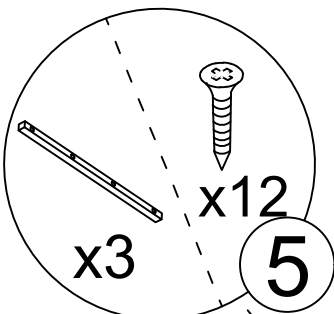
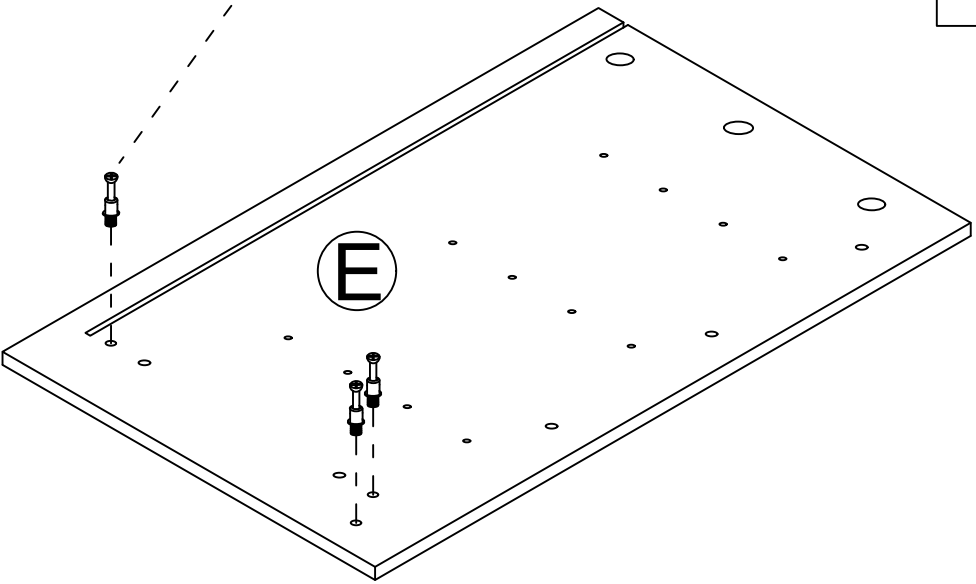
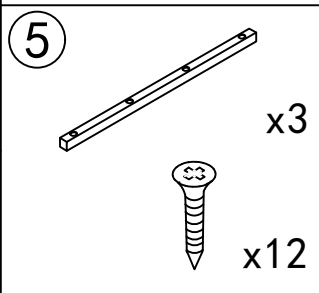
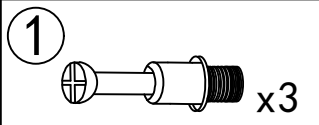
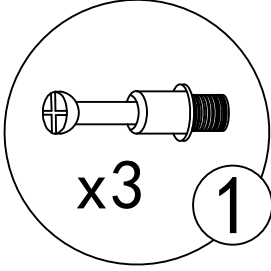


Step 11


3  x2

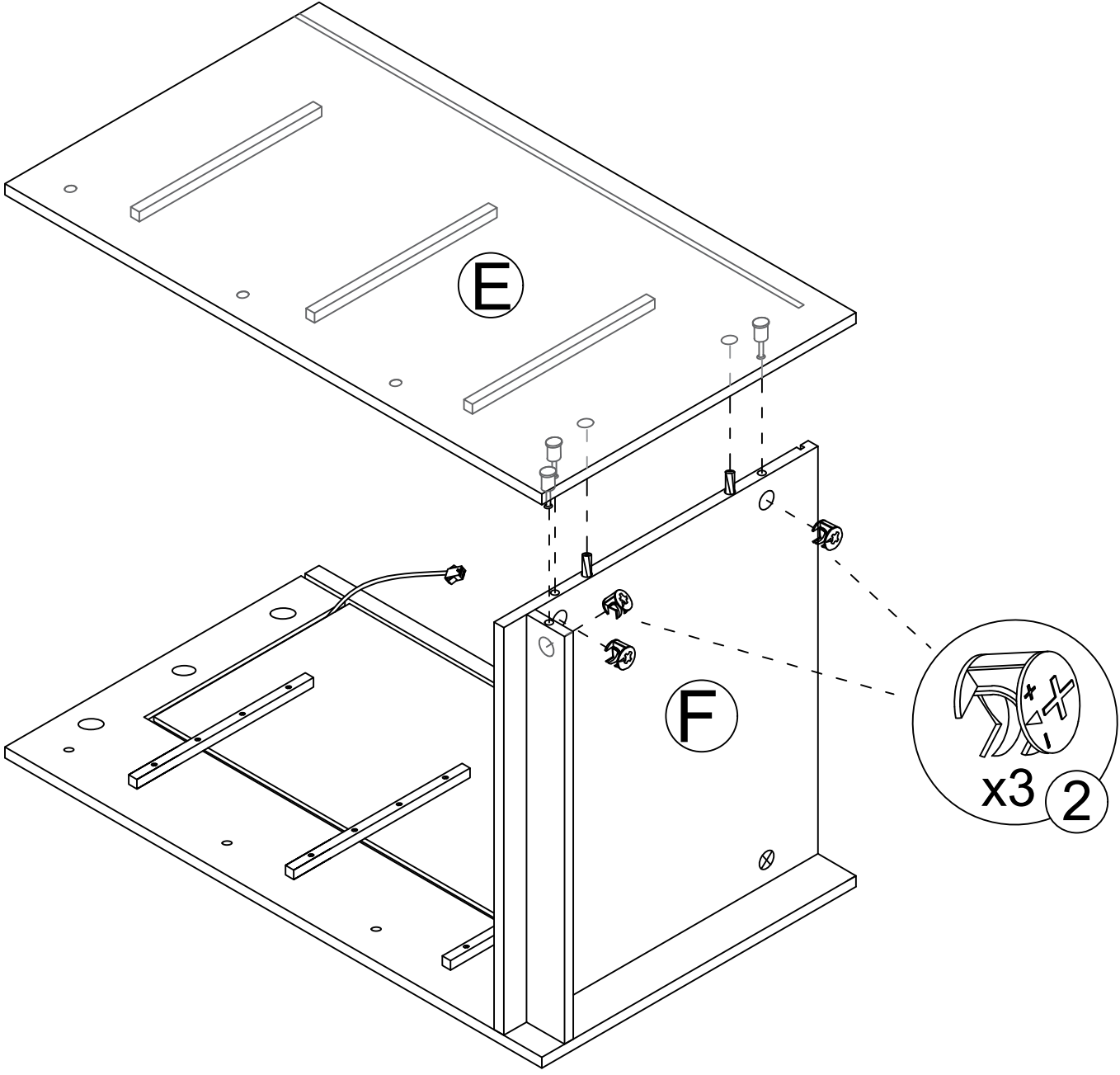


Step 12



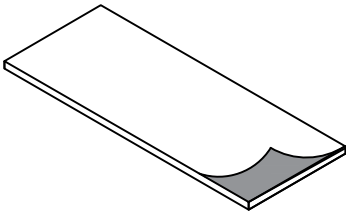
Step 13

②  x3



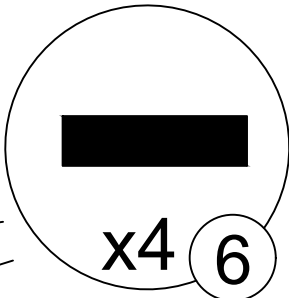
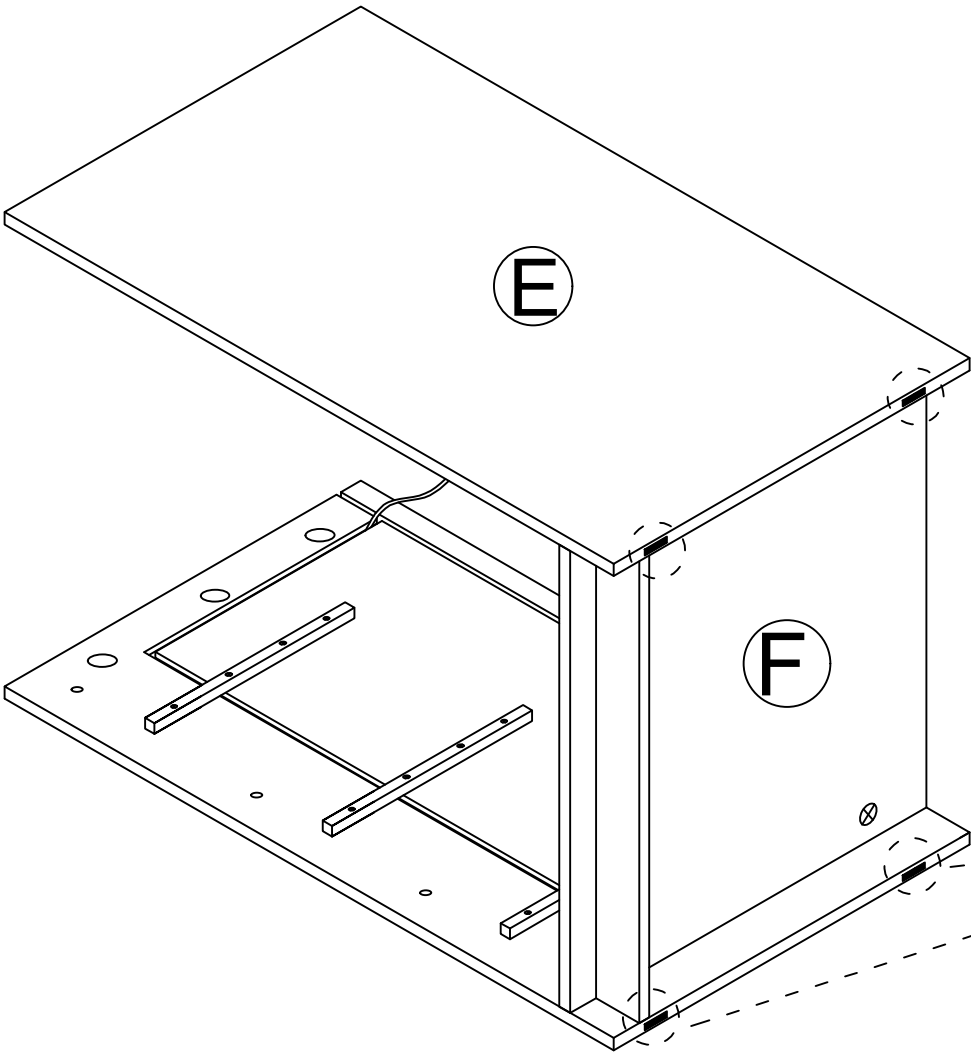
Step 14

6

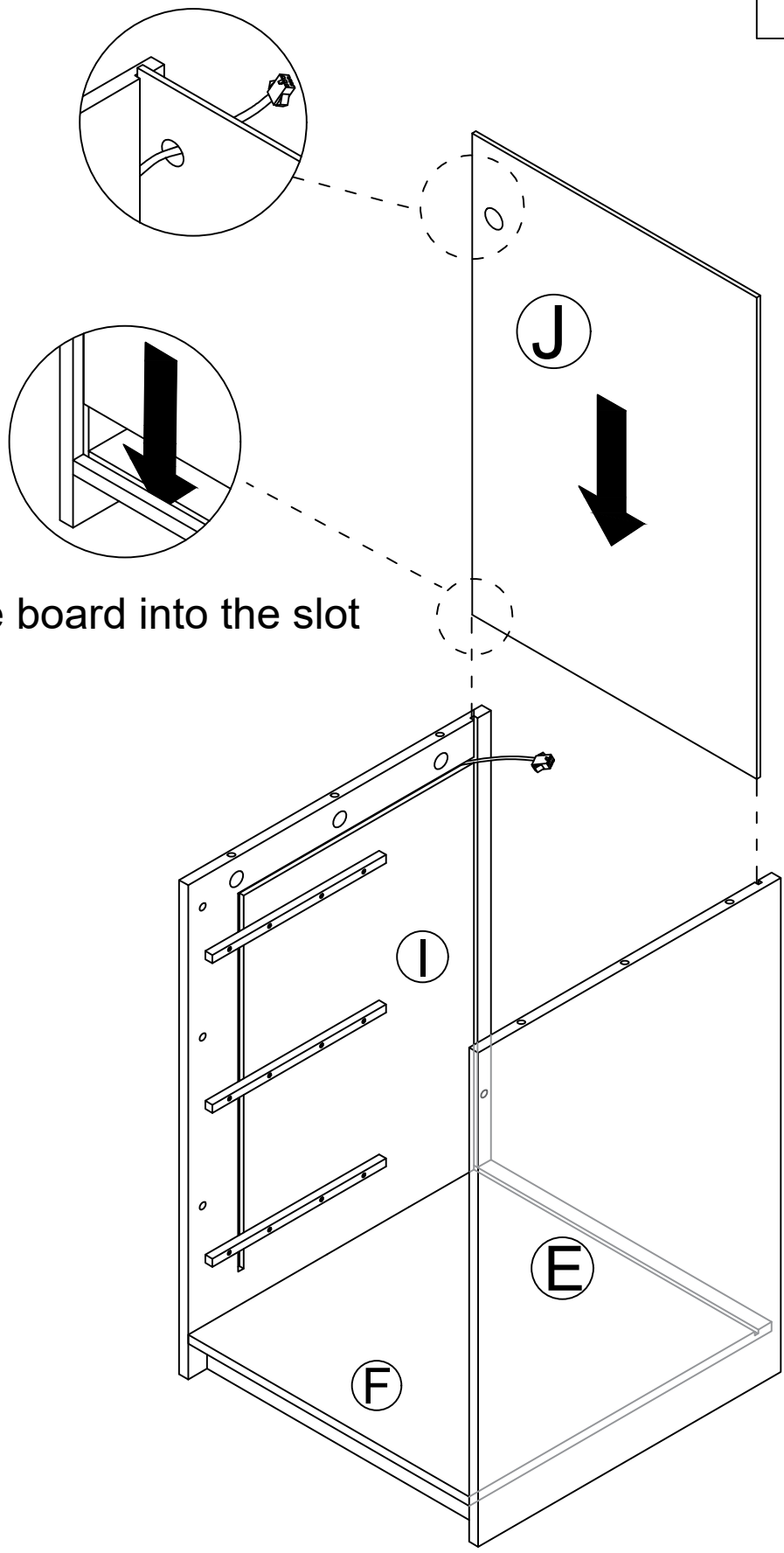
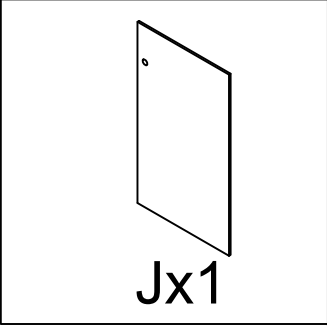


x4

Tear off release paper and stick the black foot pad on the board

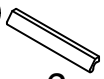





Step 15

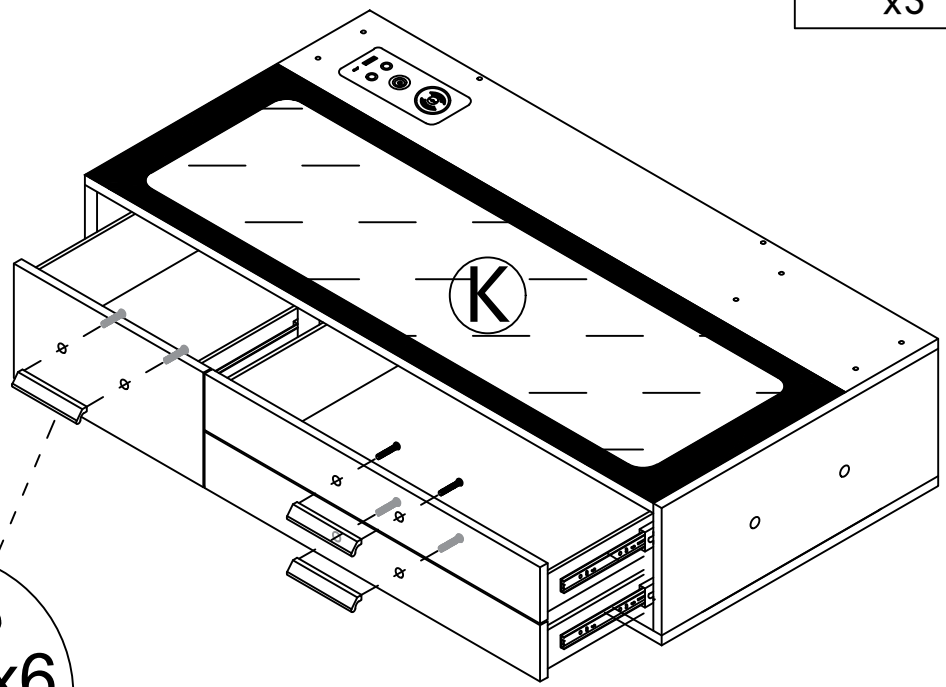


Insert the board into the slot

Step 16

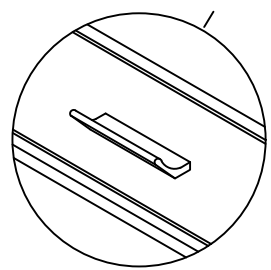
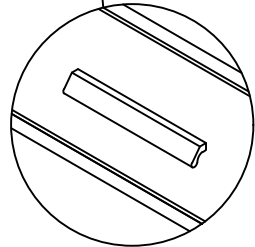
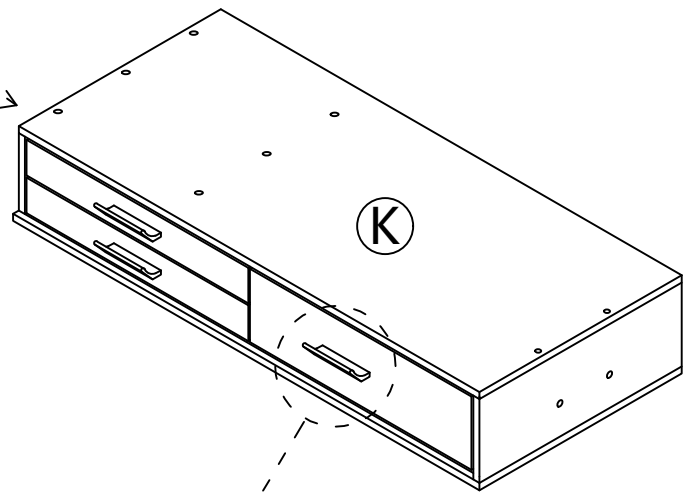
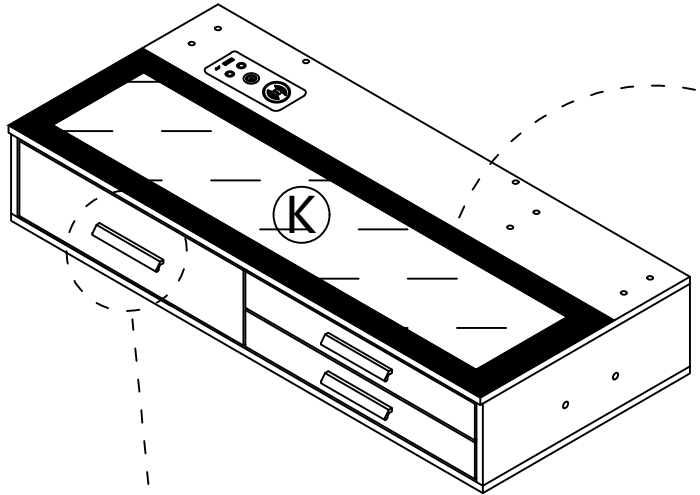
24  x3
 x6

24  x3
 x6

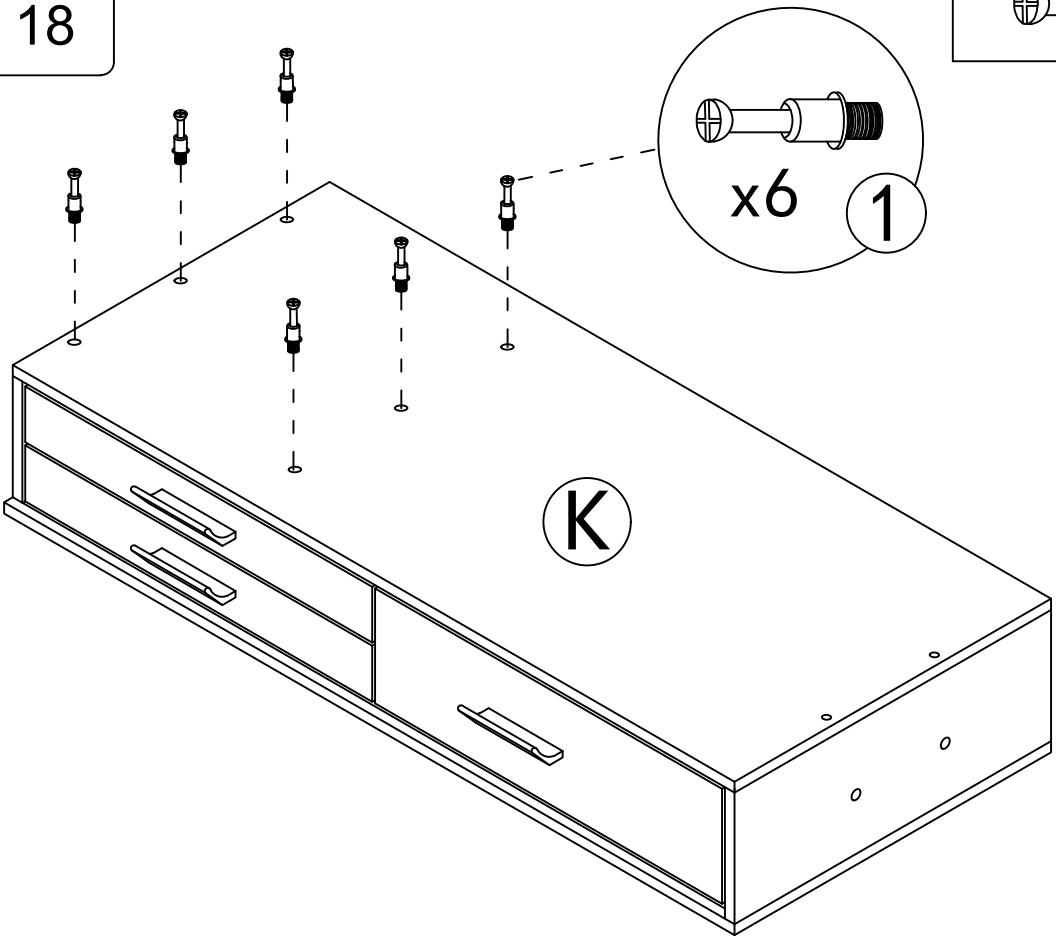
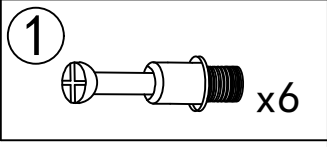


Step 17

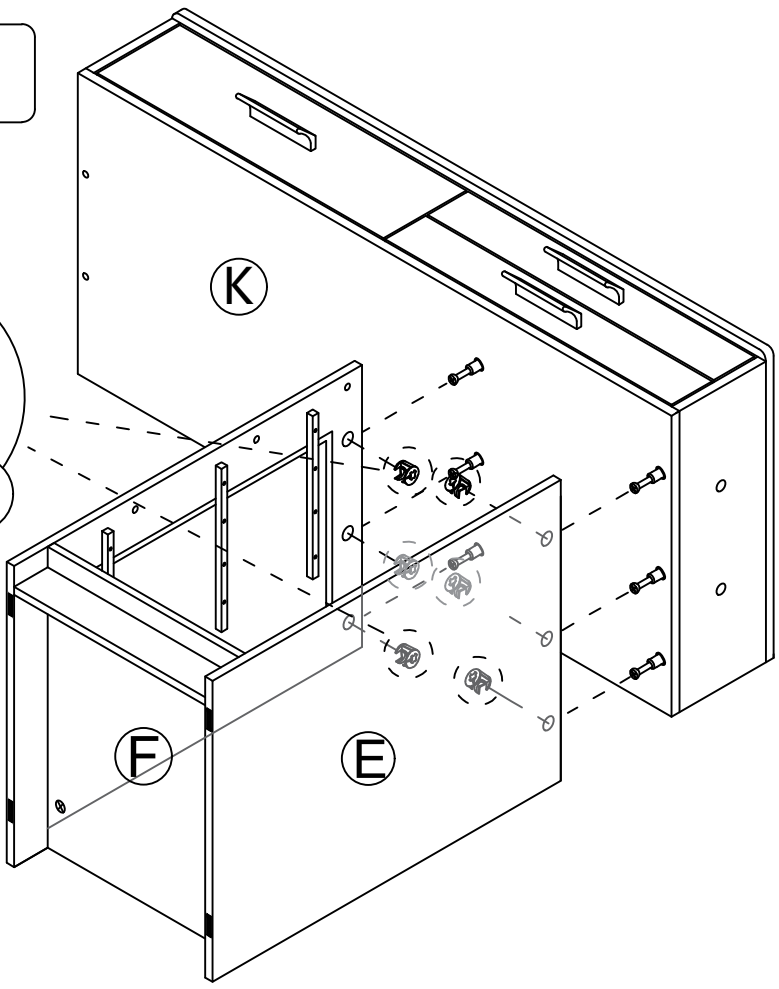
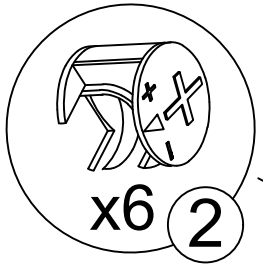
Flip the cabinet over



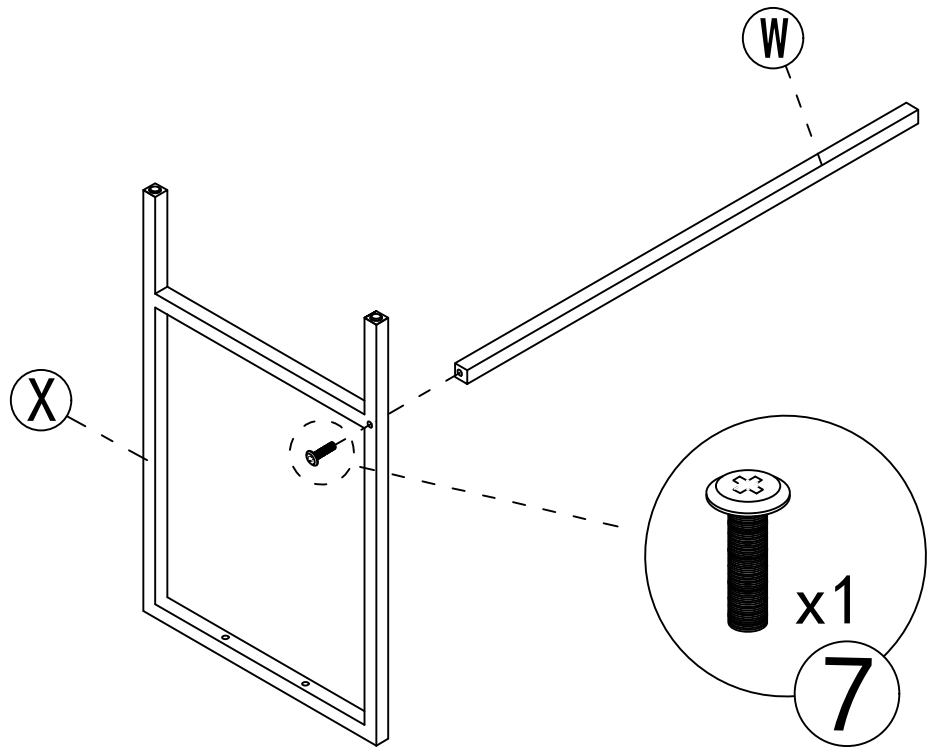
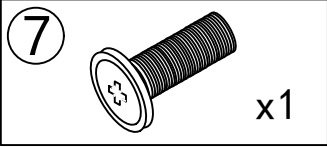
Step 18



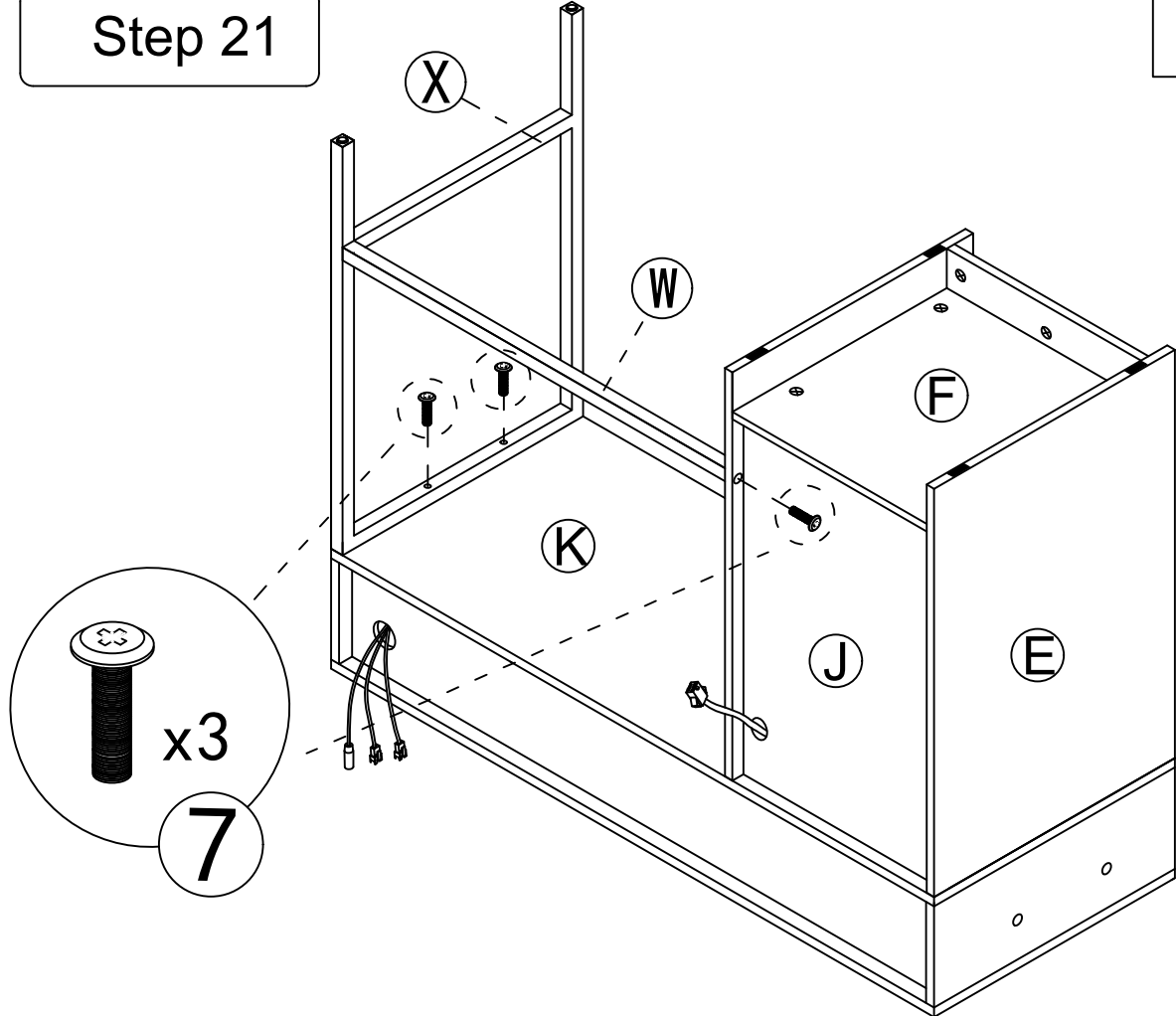
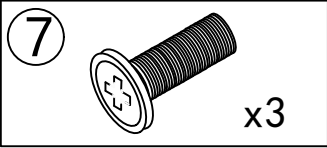
Step 19



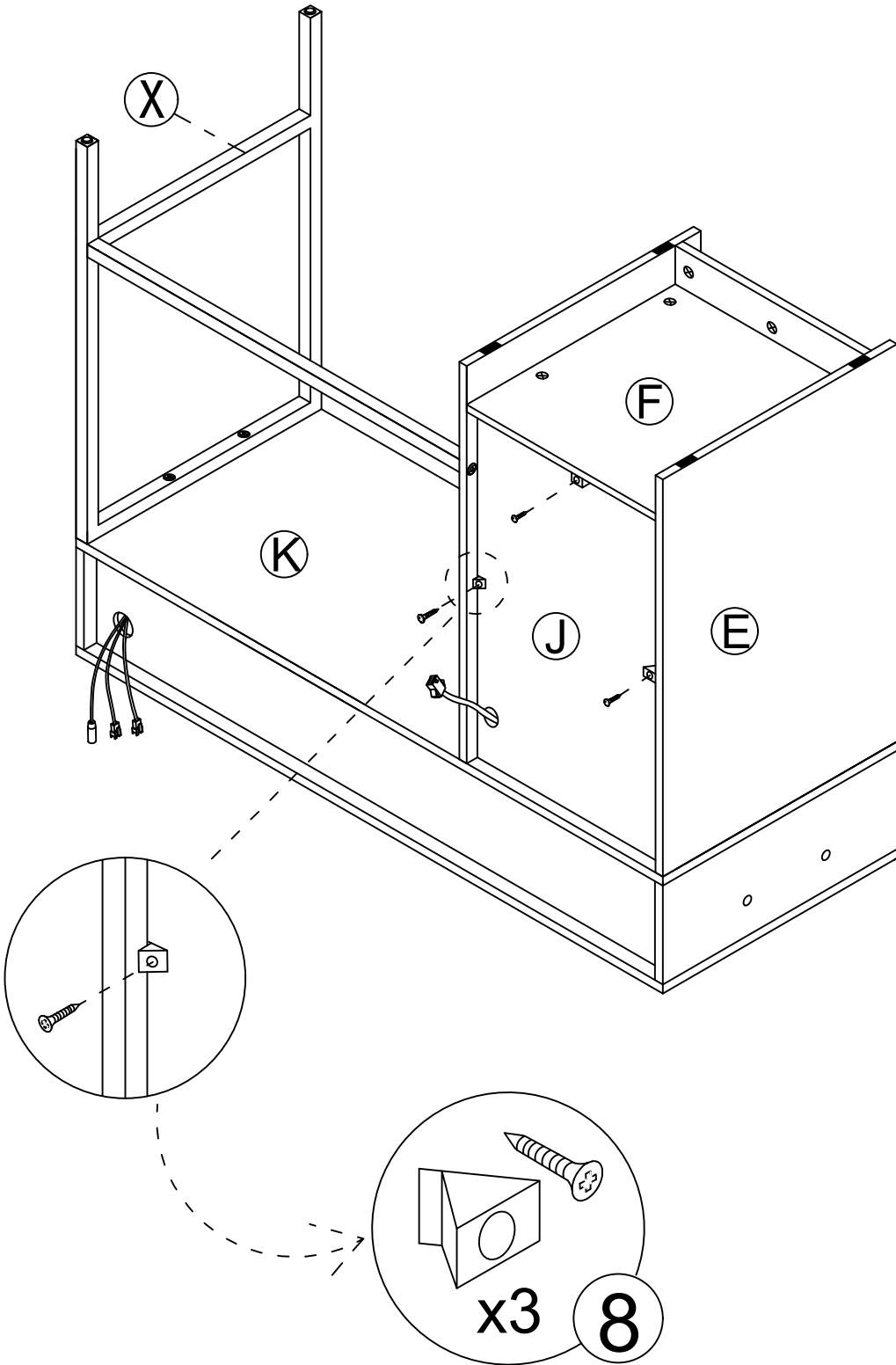
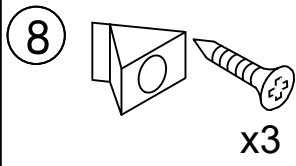
Step 20



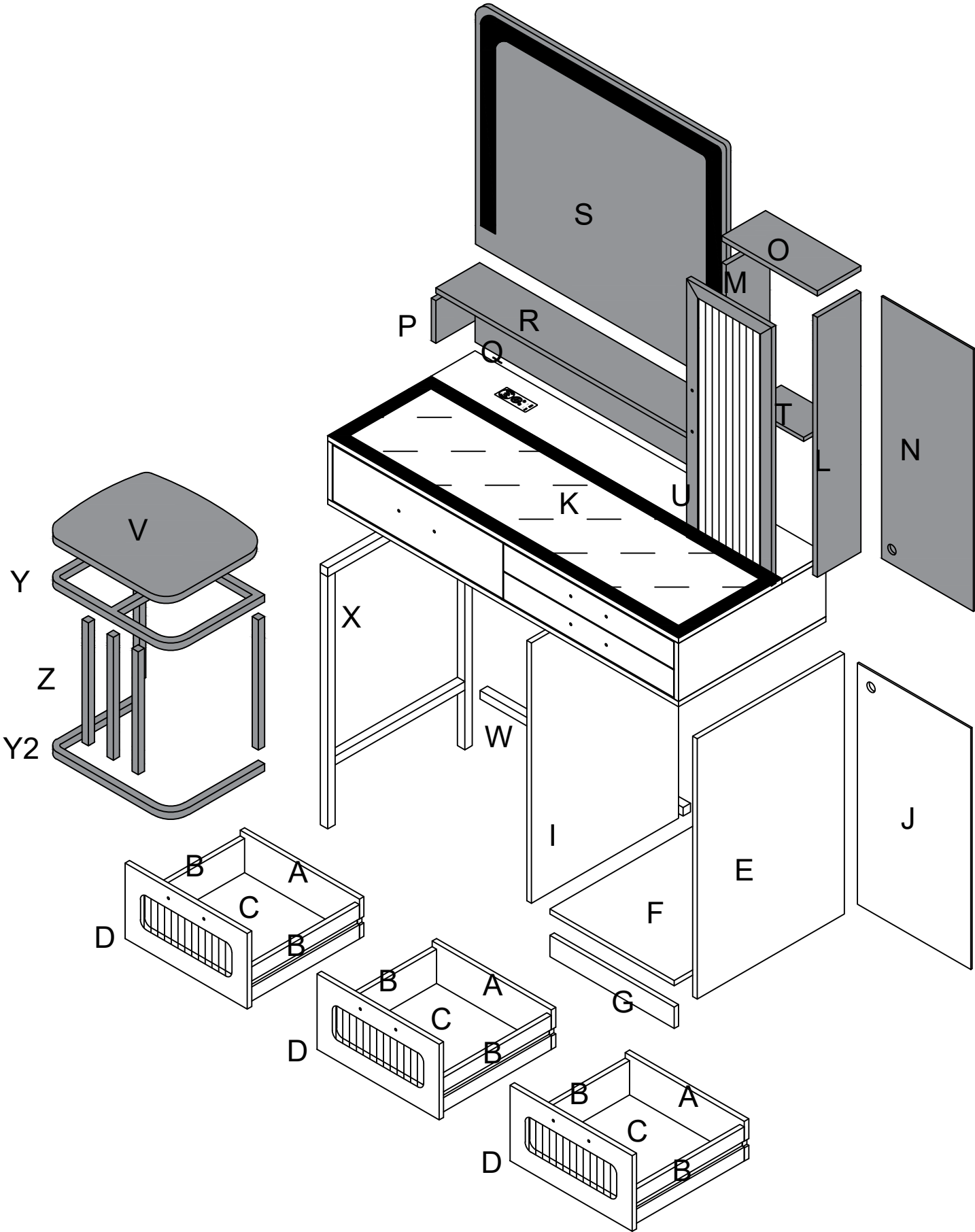
Step 21



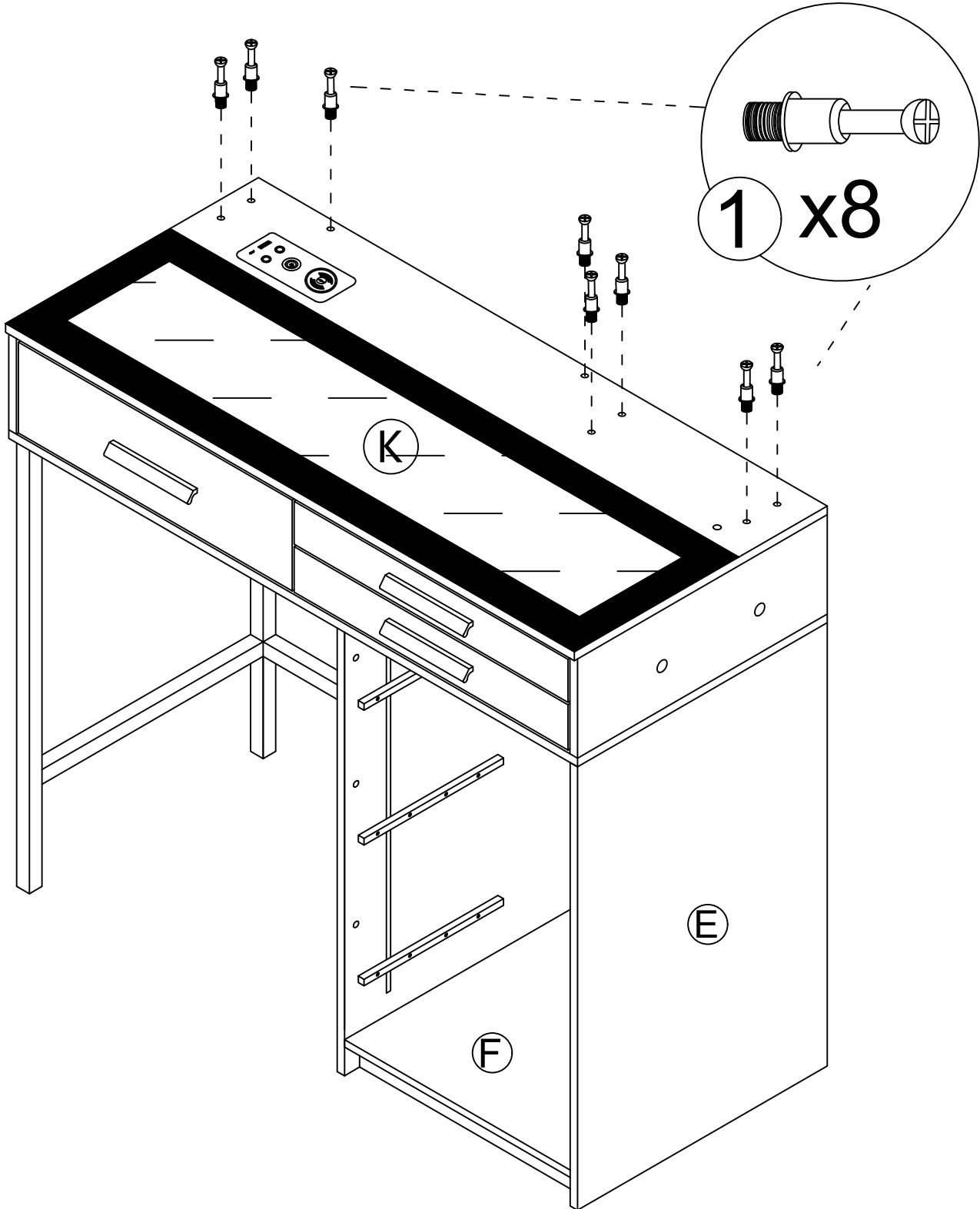
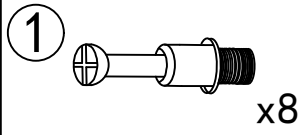
Step 22




Product structure decomposition

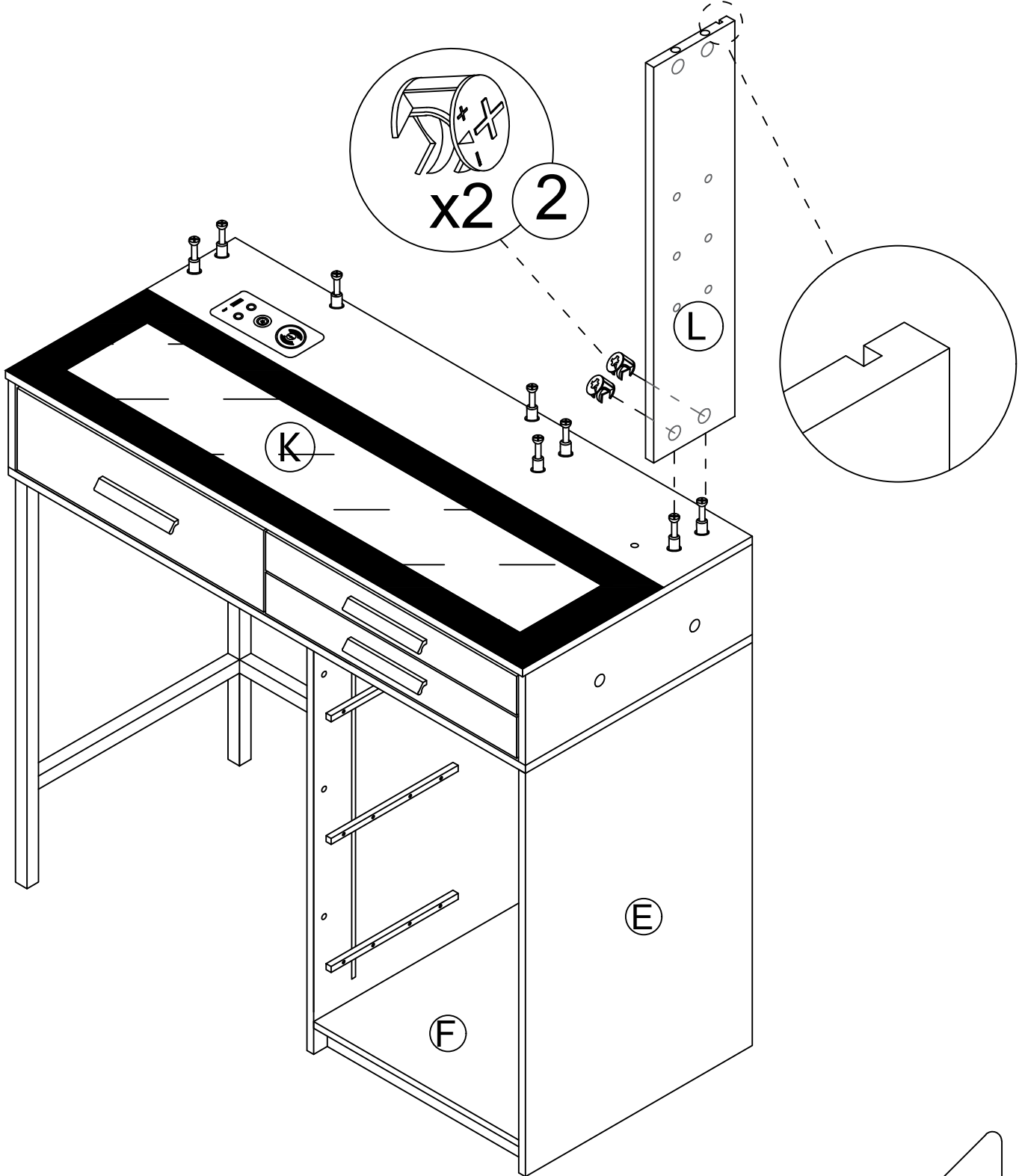


Step 23

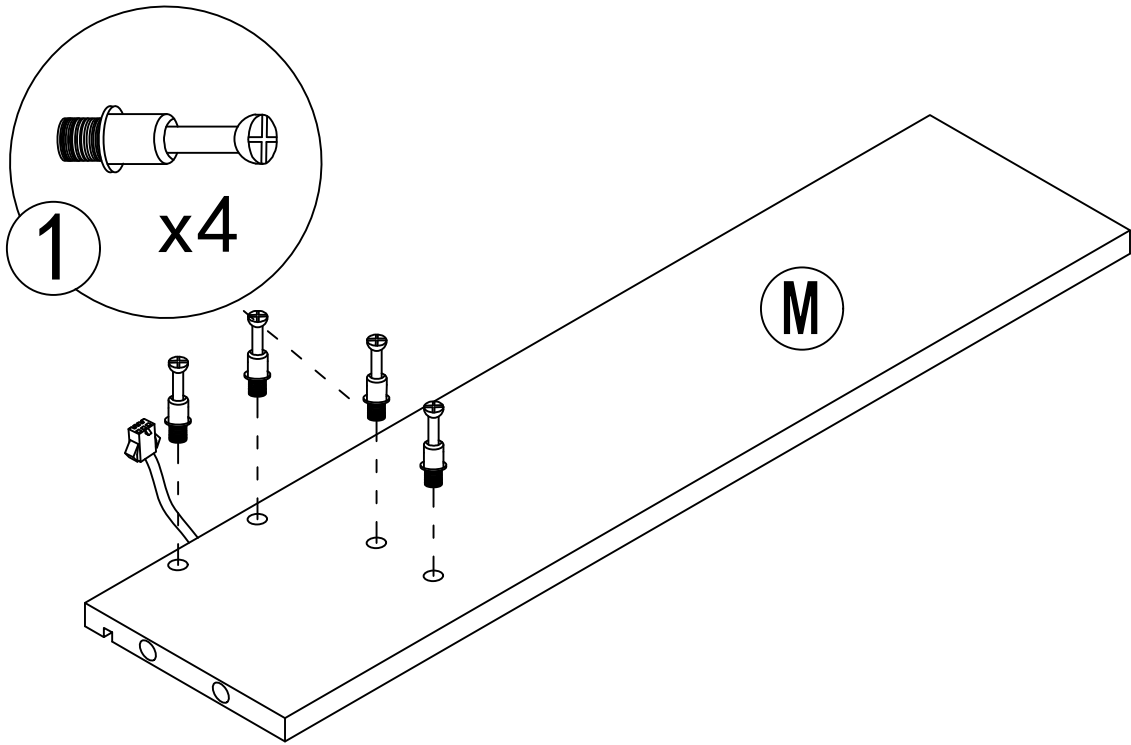
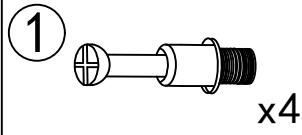


Step 24

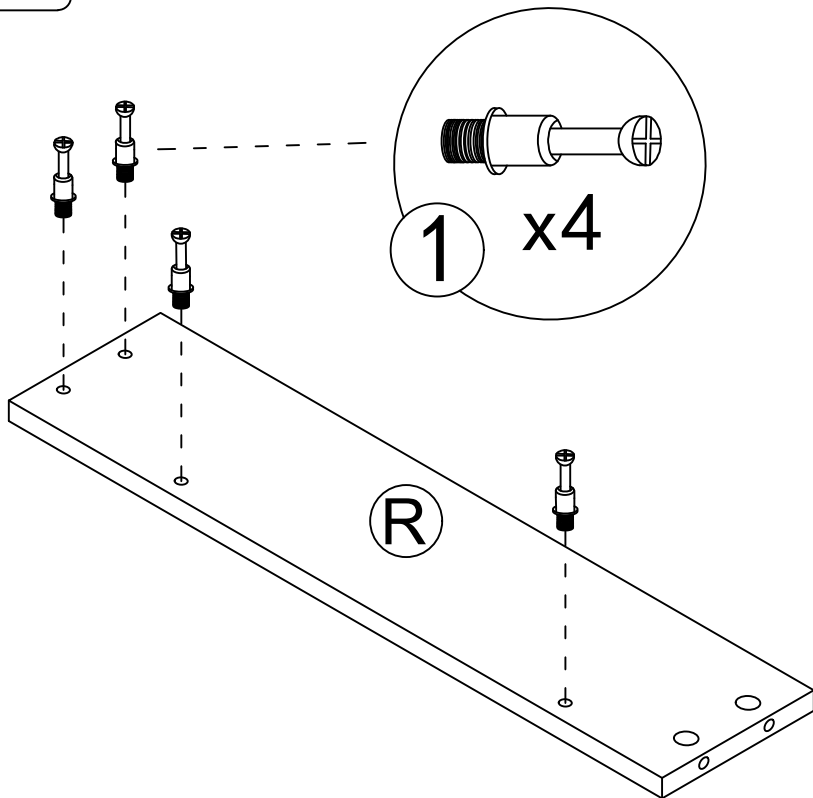
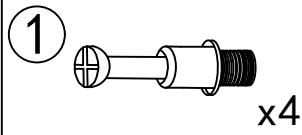
2  x2



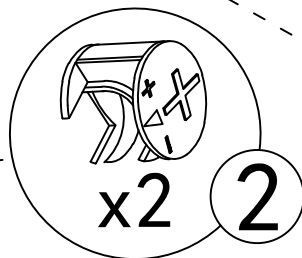
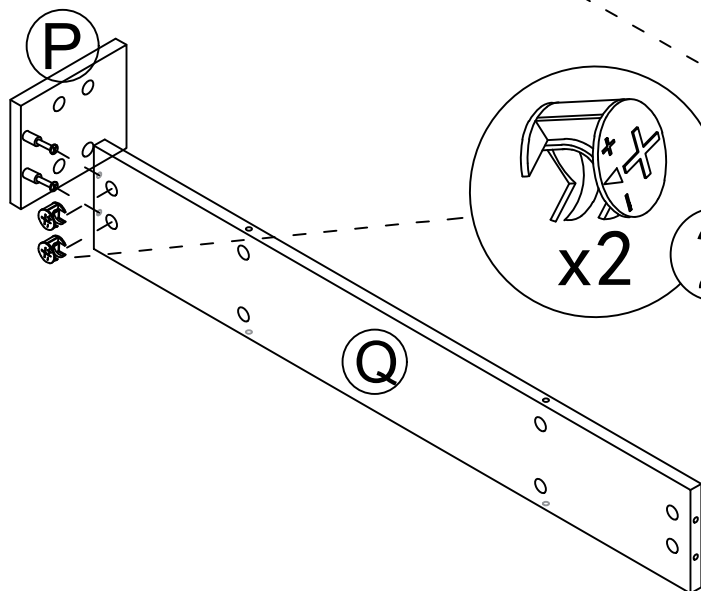
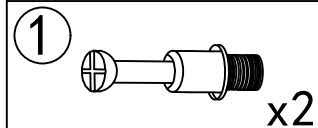
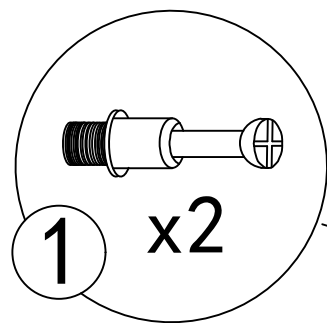
Step 25



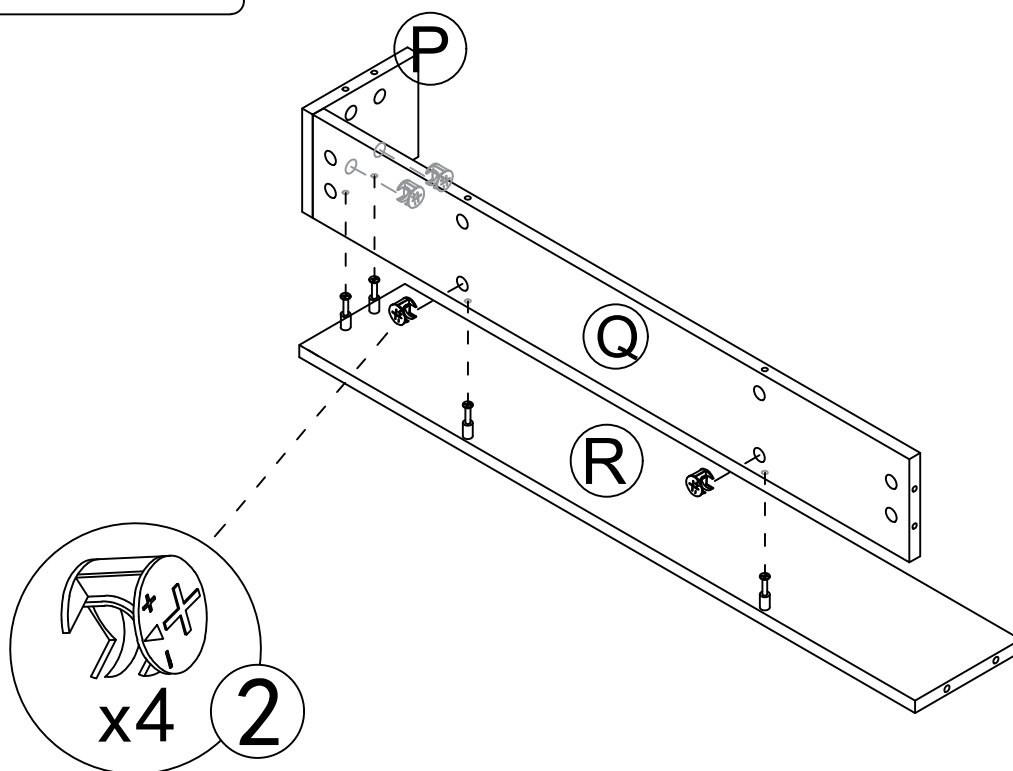
Step 26




Step 27

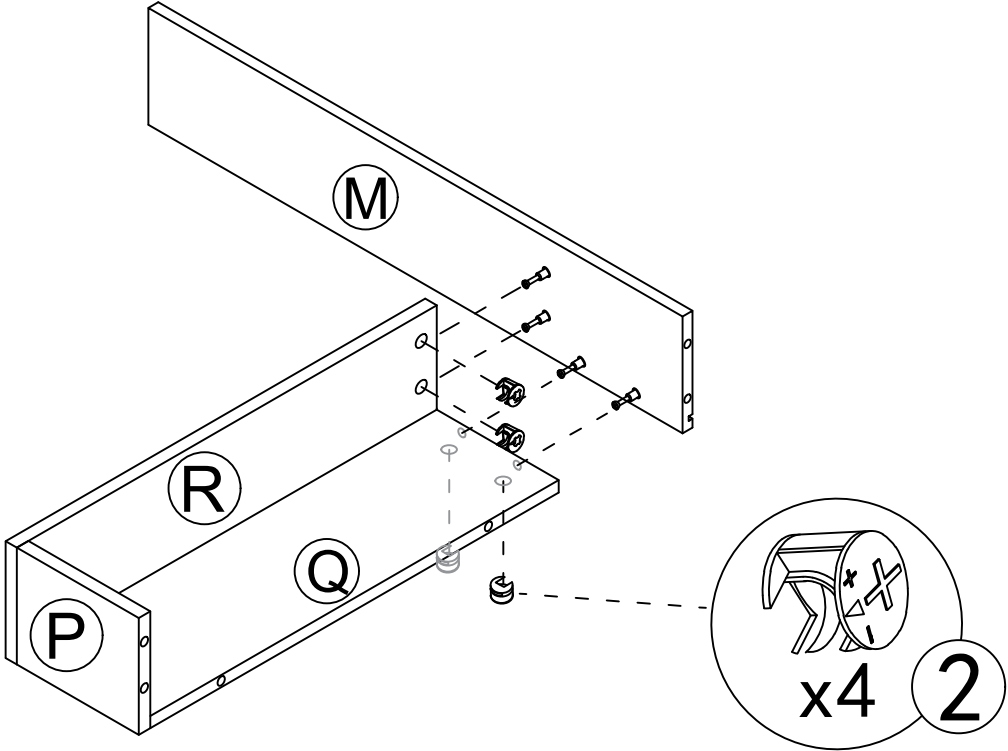


Step 28

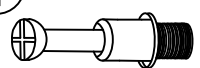


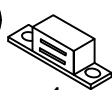

Step 29

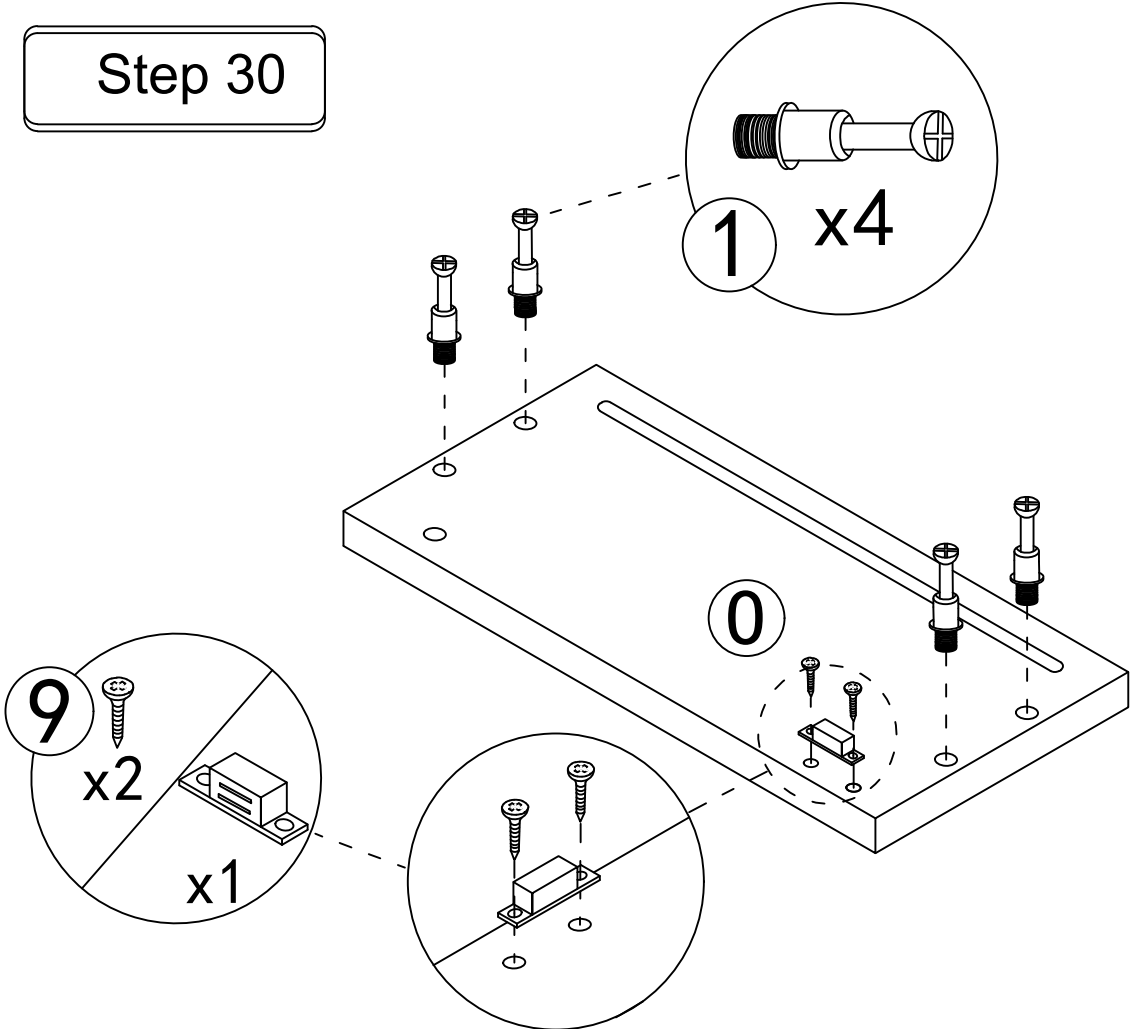
2  x4



Step 30

1  x4

9  x1  x2



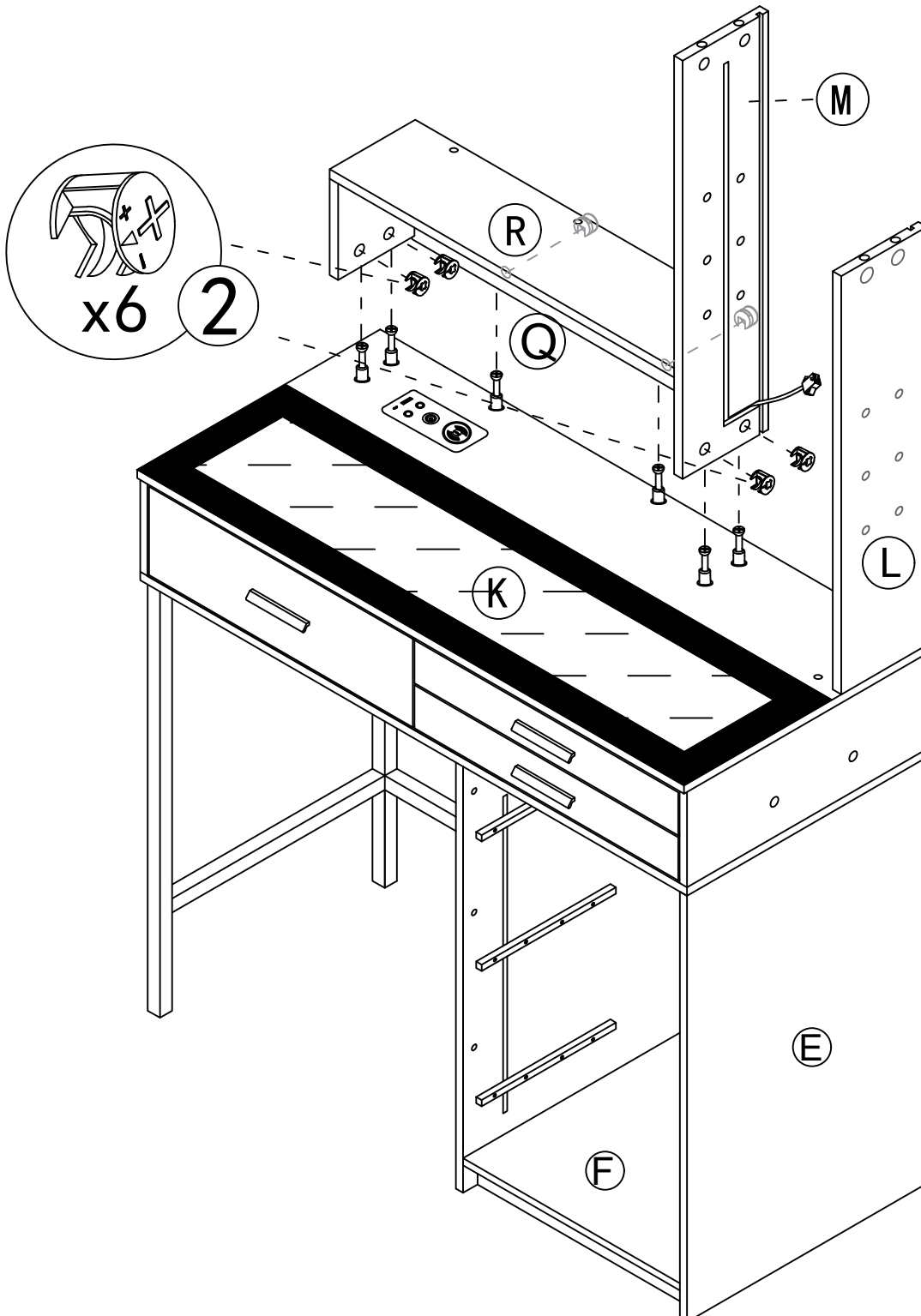
Step 31

2

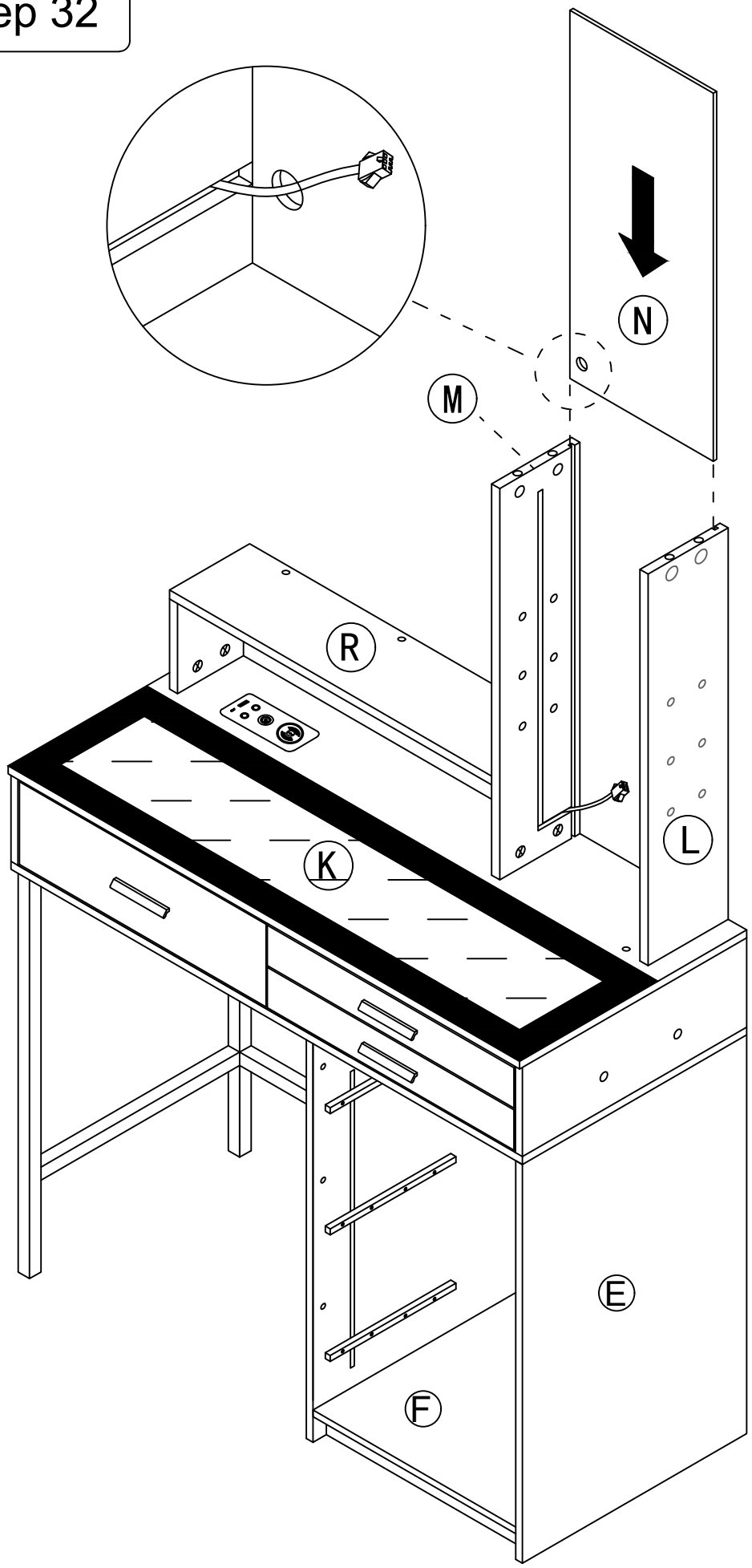
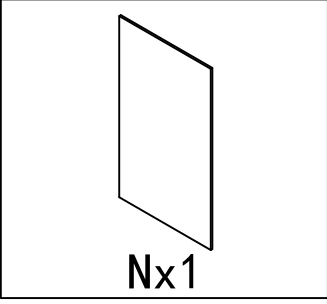


x6

Hold the back panel Q by hand to prevent it from falling during installation

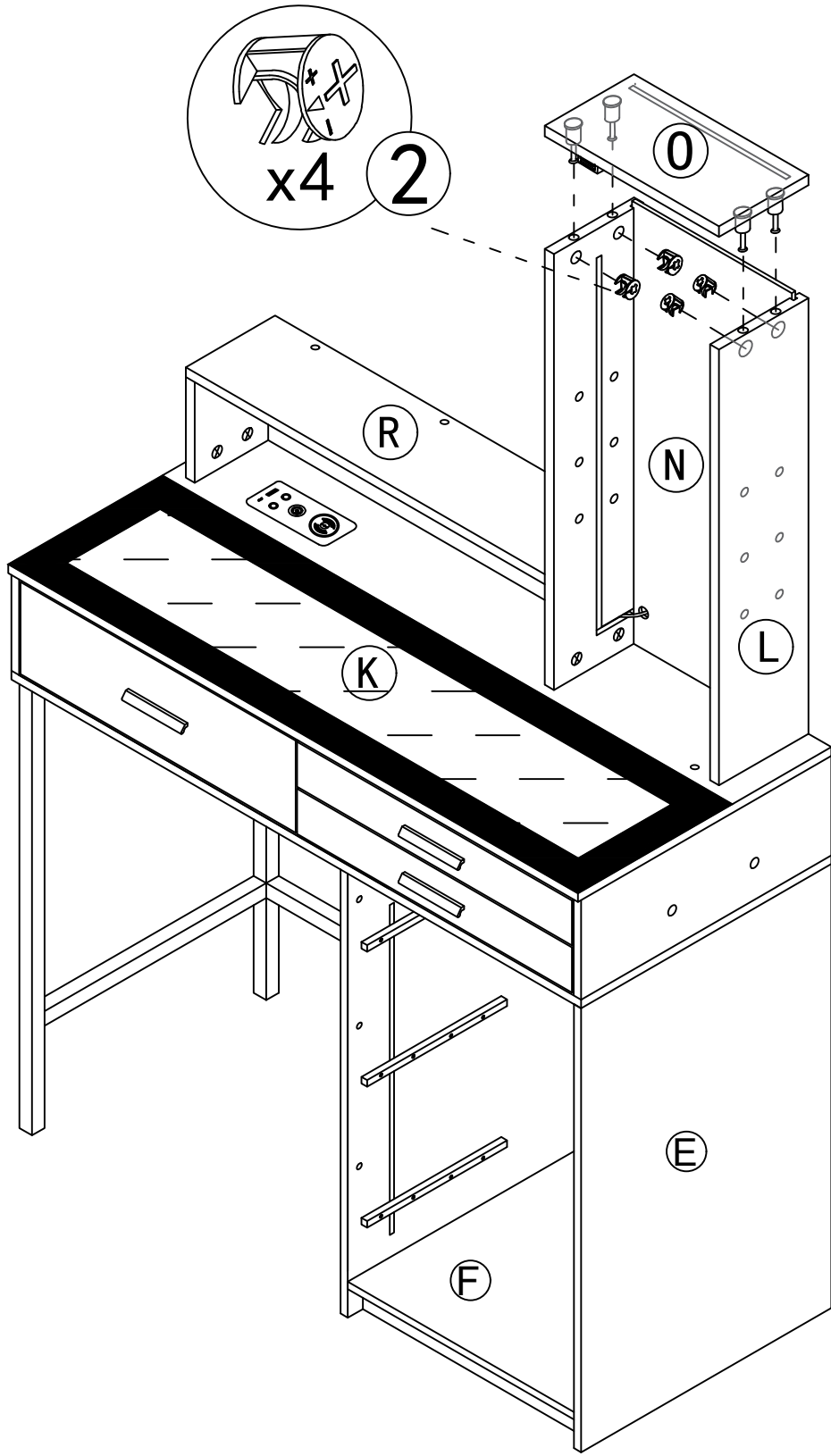


Step 32

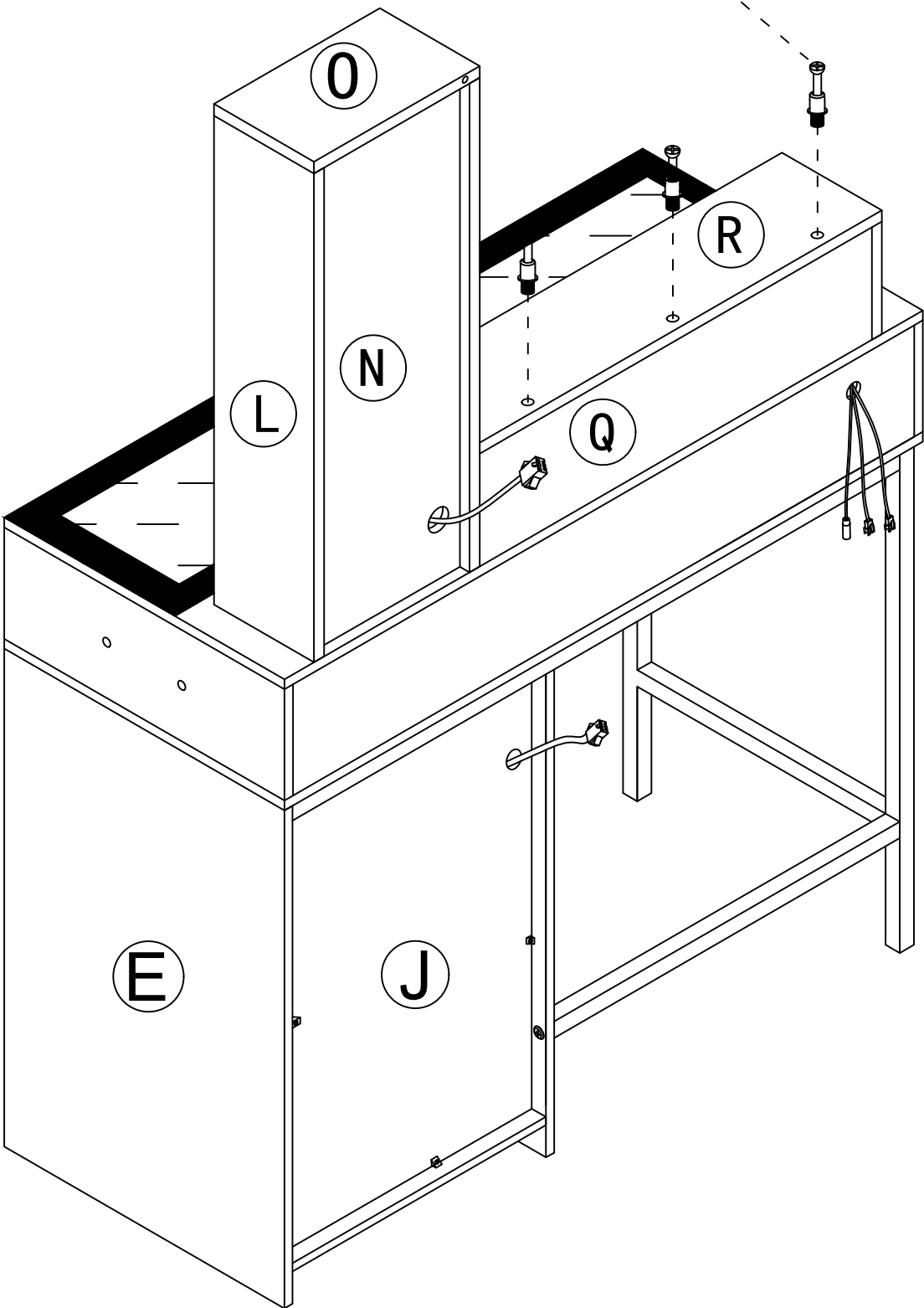
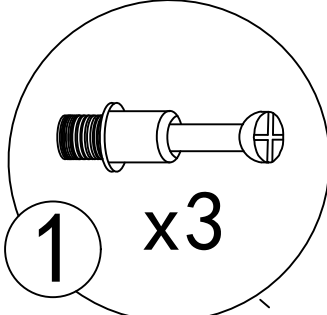
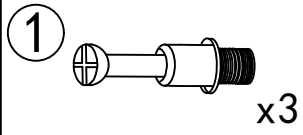


Step 33


2  x4

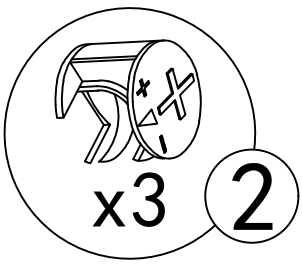
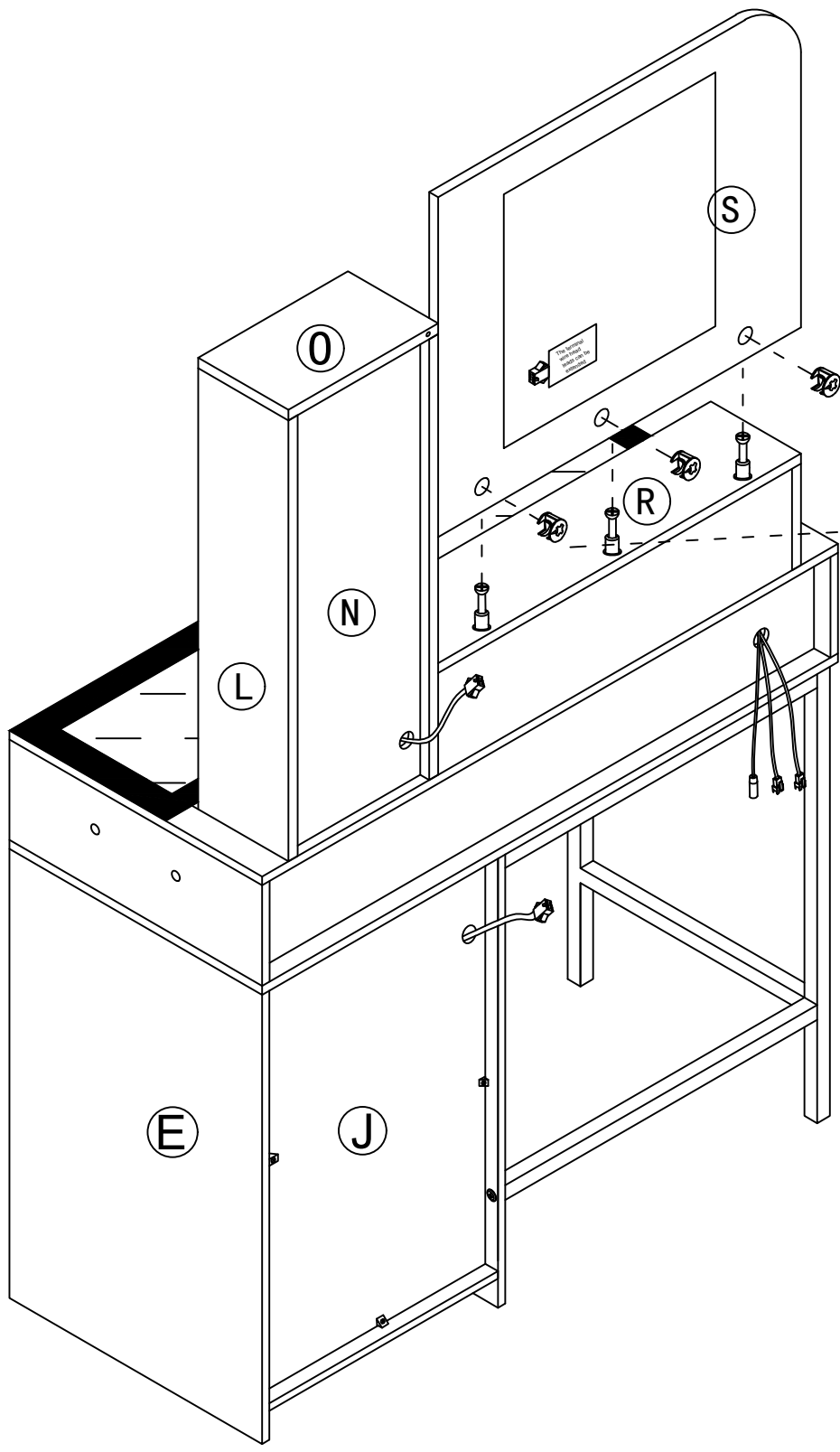


Step 34

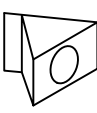
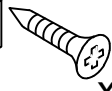




Step 35

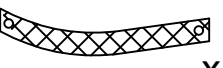
2  x3





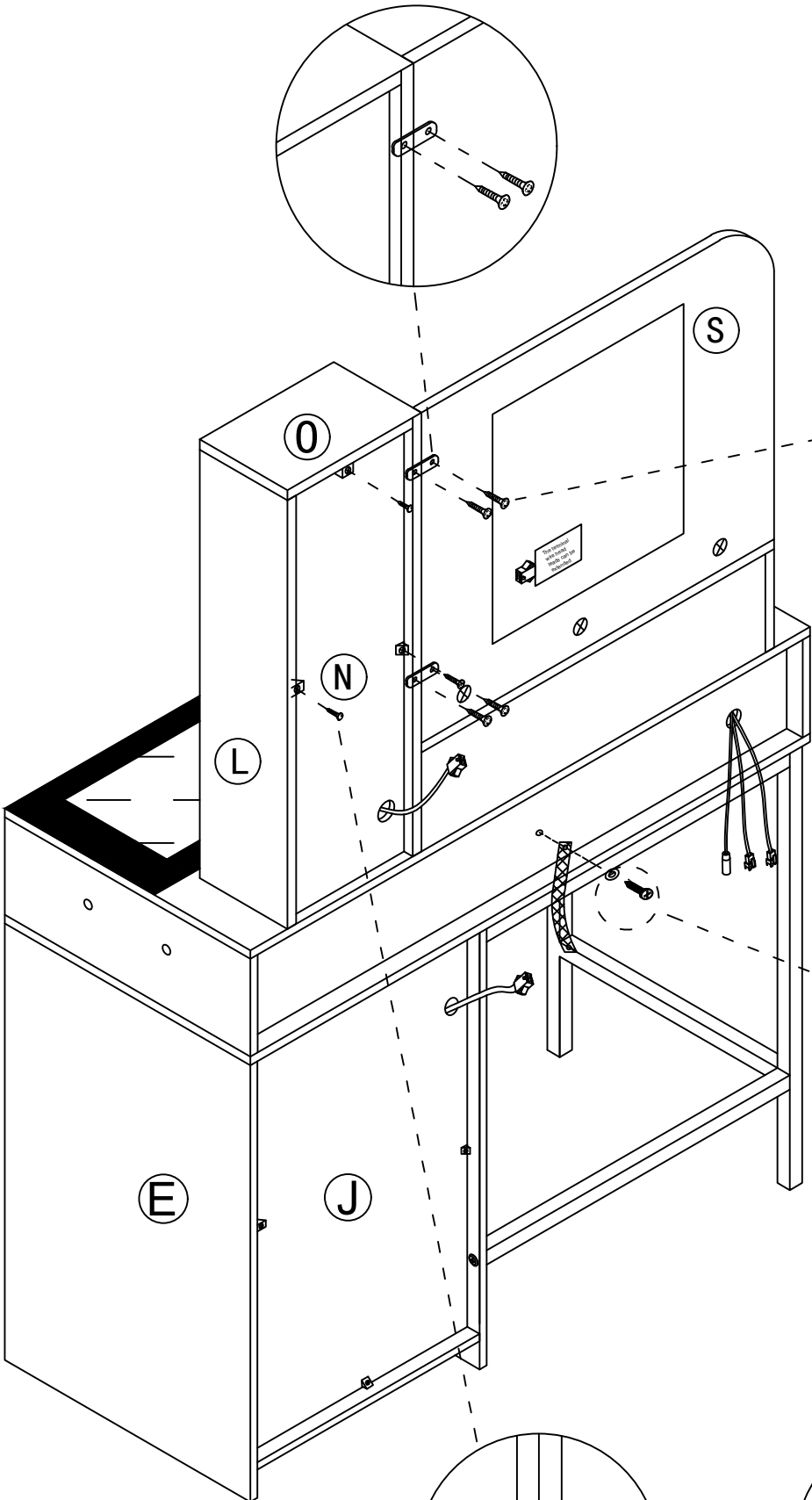
Step 36



8   x3

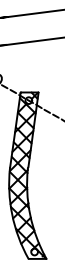



9  x2  x4



17  x1

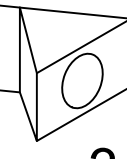

18   x1



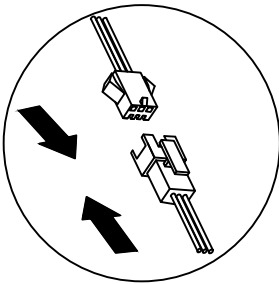
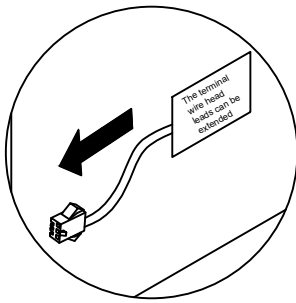
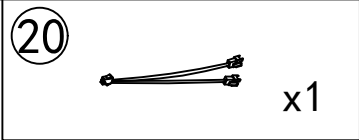
9  x2  x4

17     18

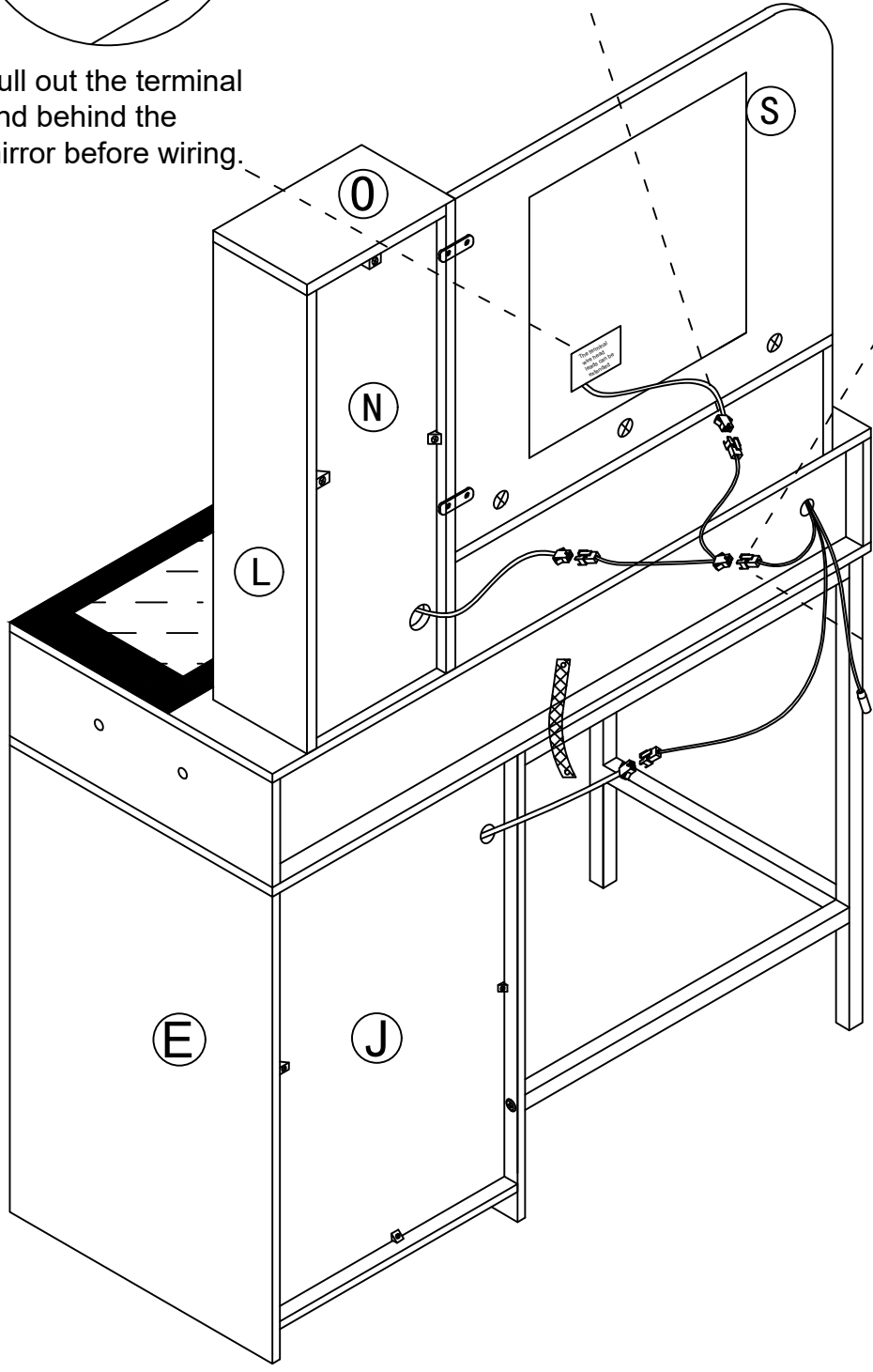
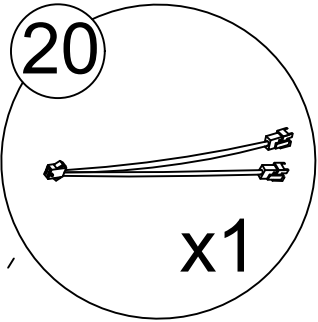
 

8   x3

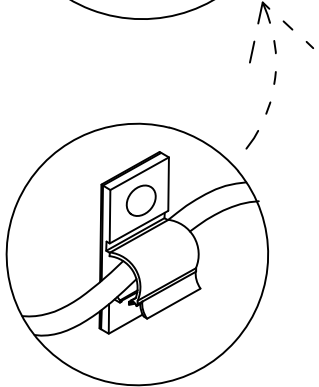
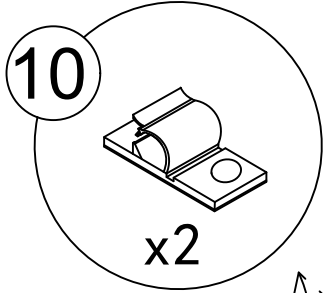
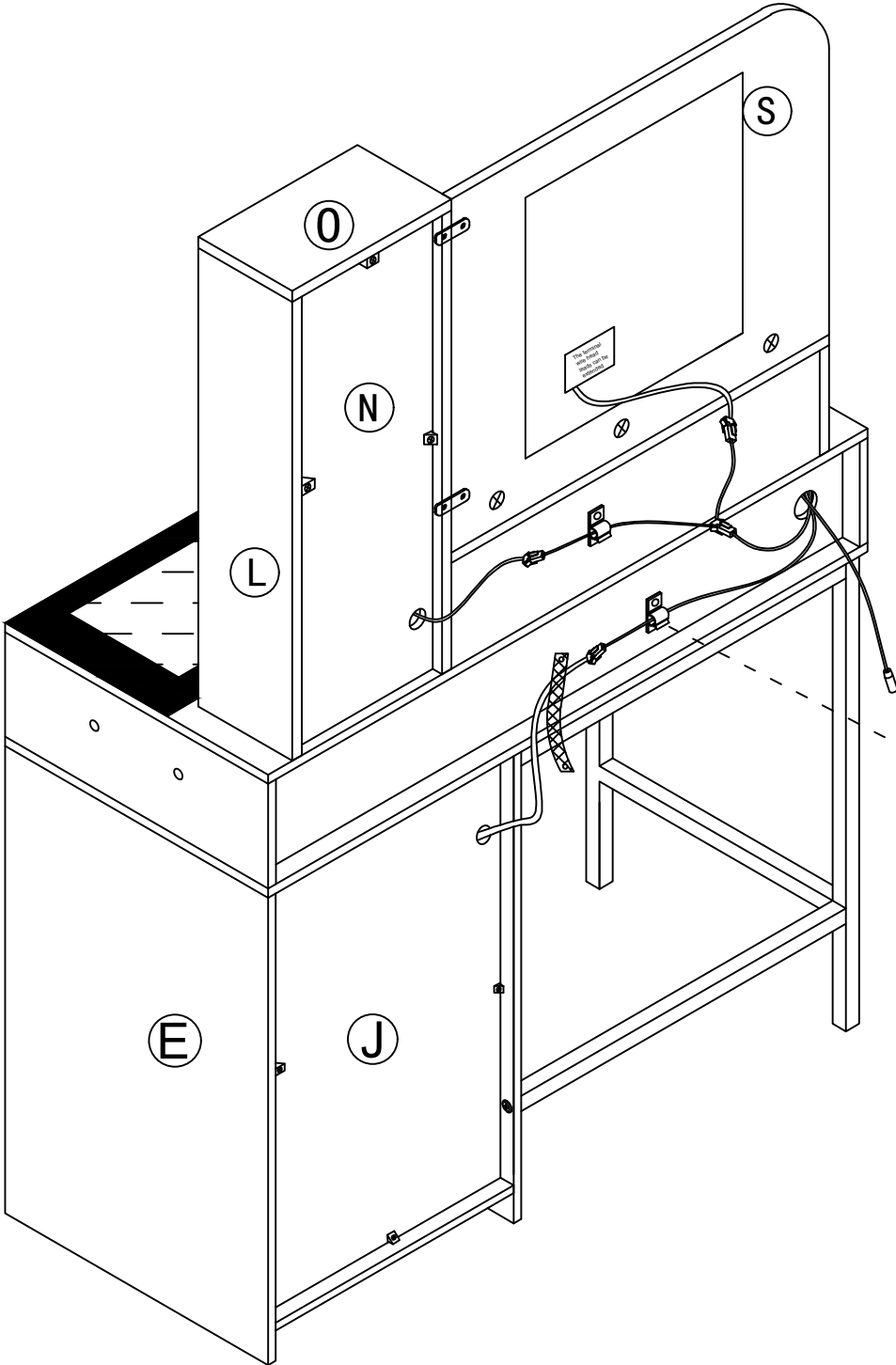
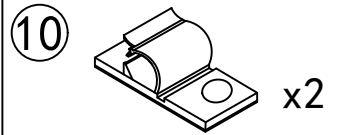
Step 37



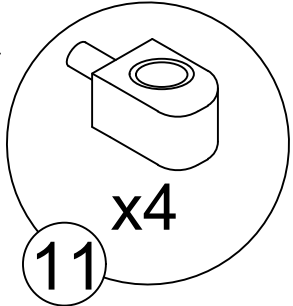
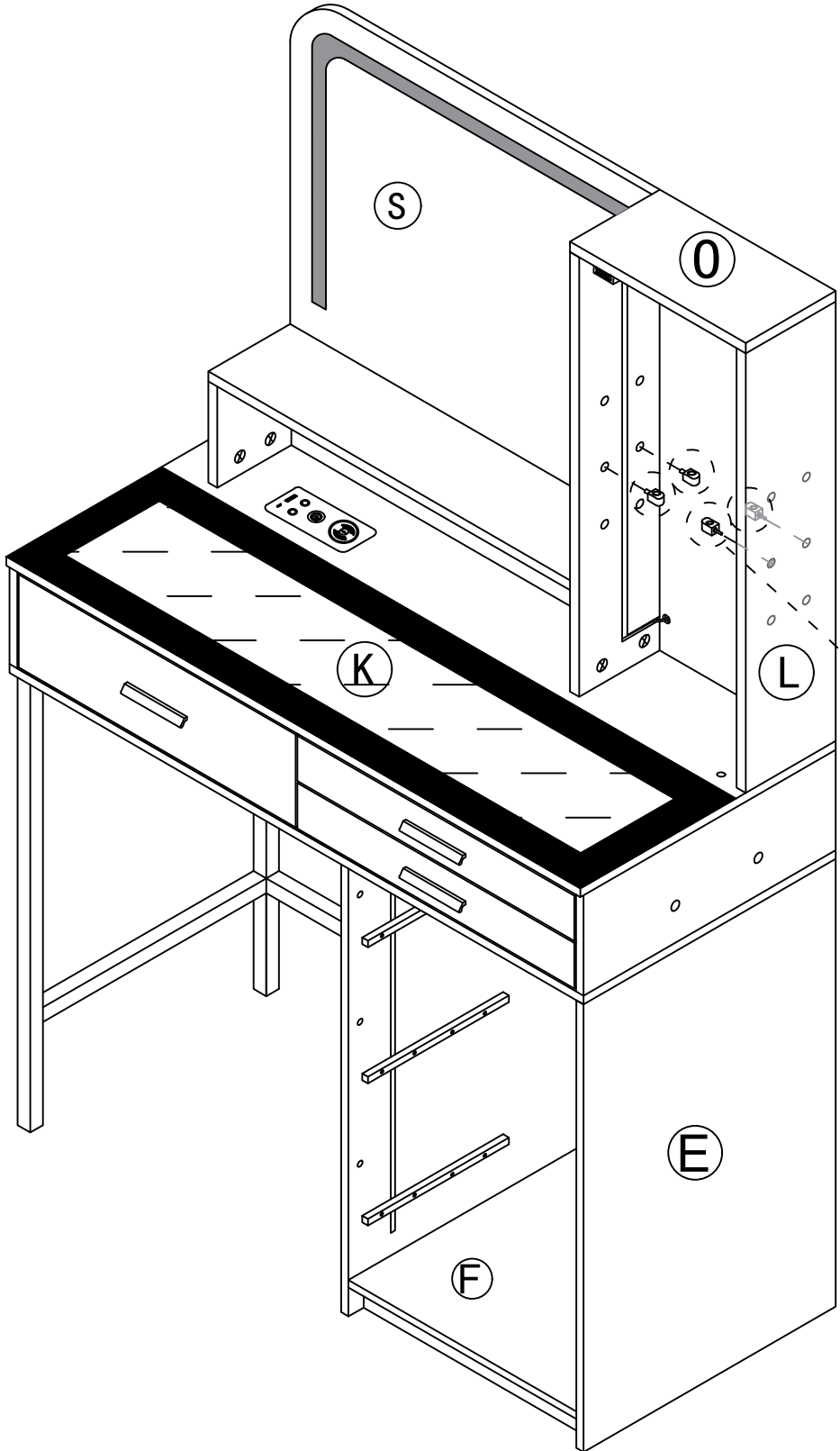
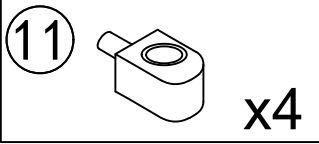
Pull out the terminal end behind the mirror before wiring.



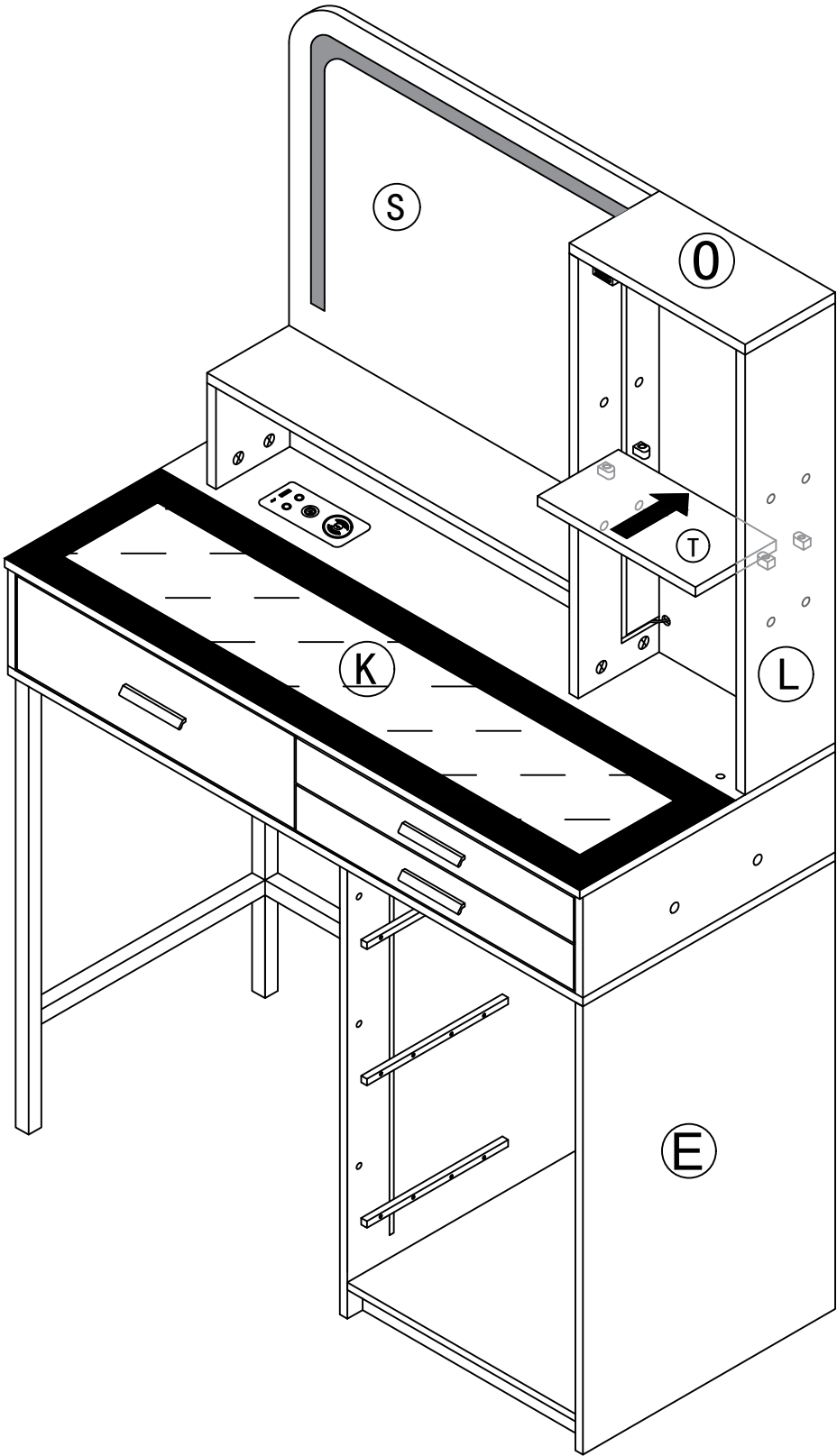
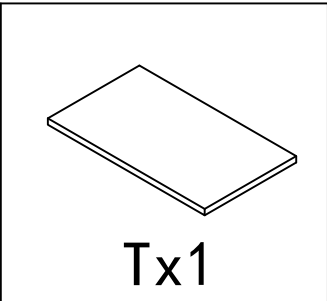
Step 38



Step 39

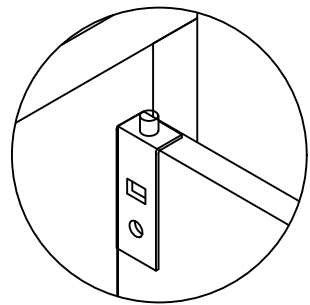
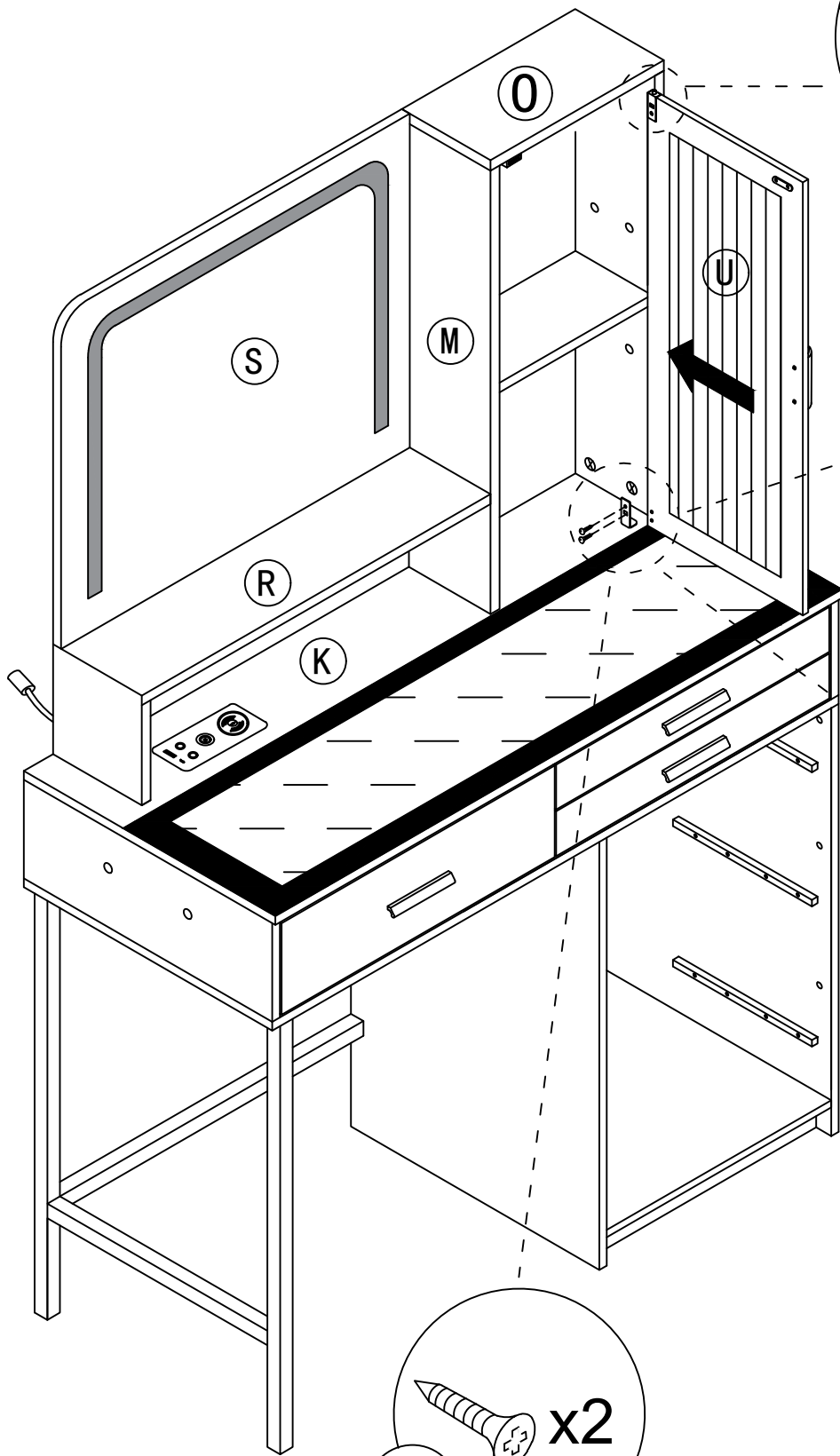


Step 40

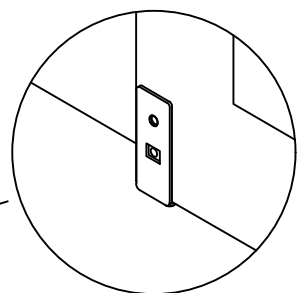


Step 43

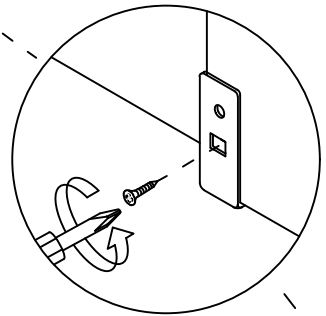
12  x2



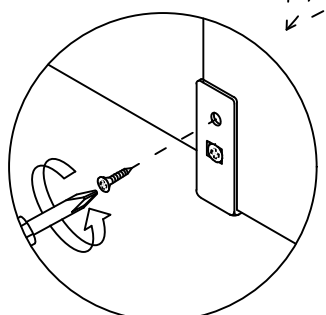
First




Second



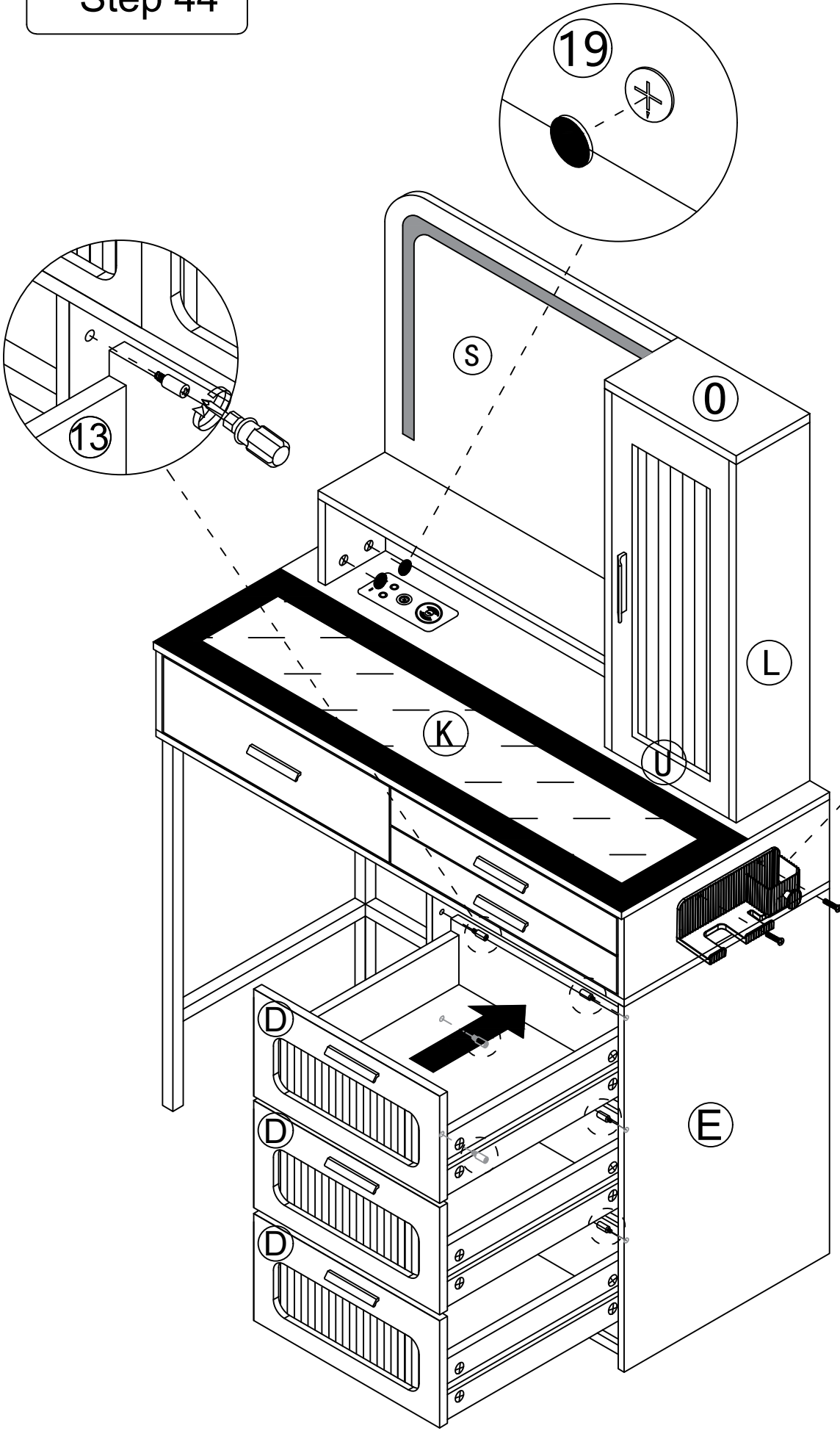
Third



Fourth

12  x2

Step 44

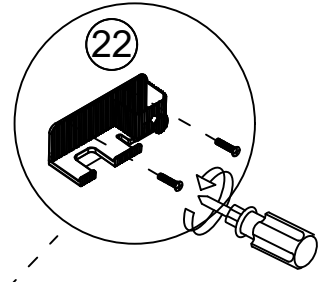


13 x6

19 x2

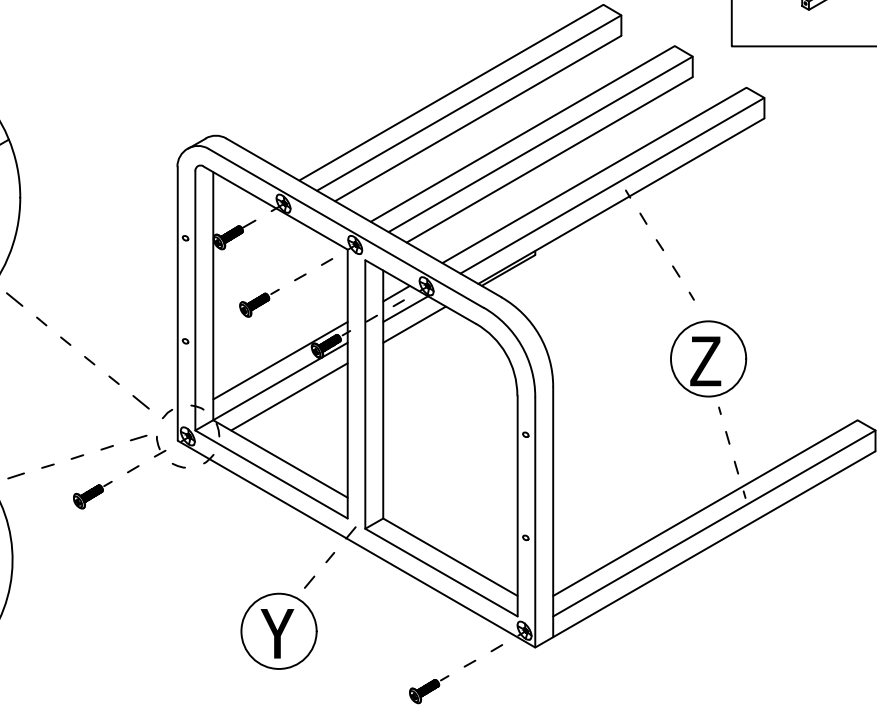
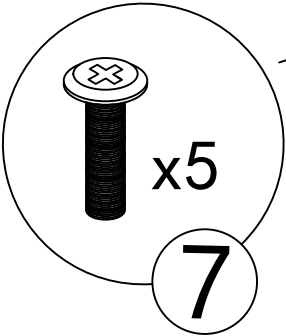
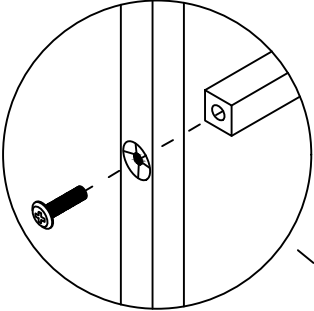
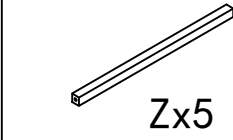
22 1 Pcs 2 Pcs x1

It can be installed left and right



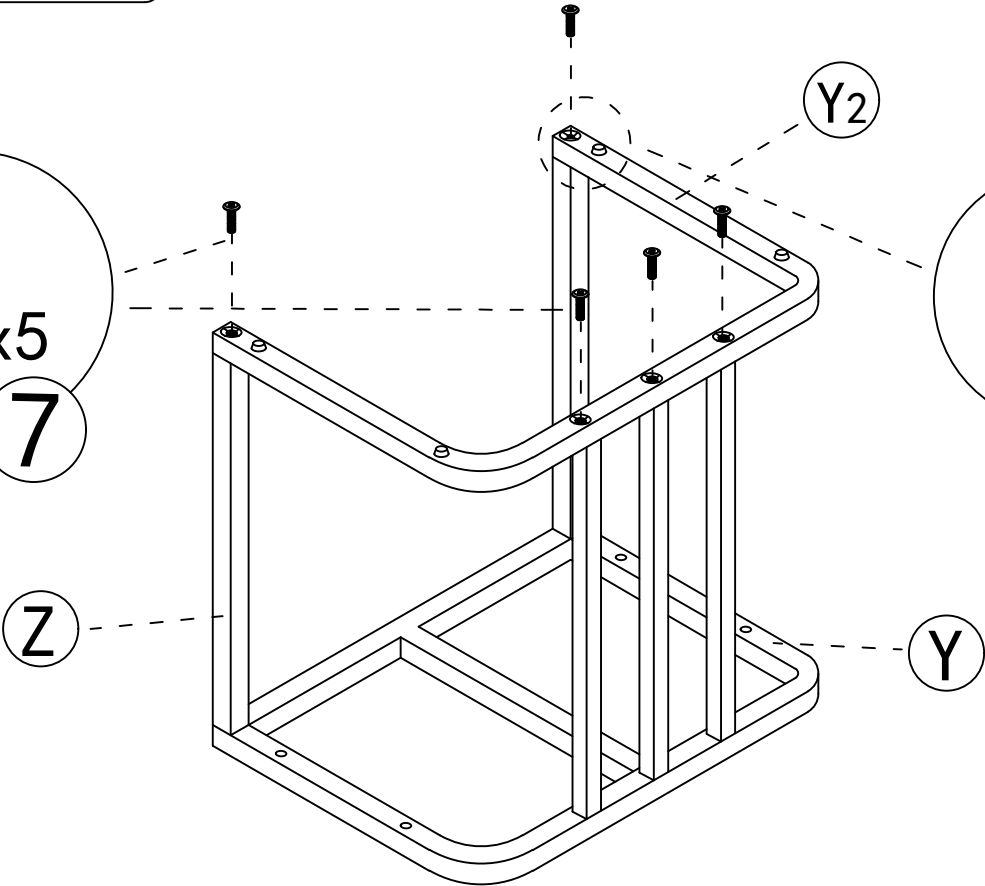
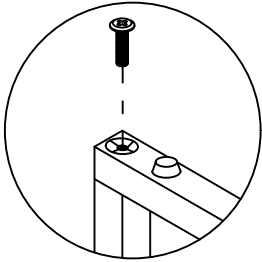
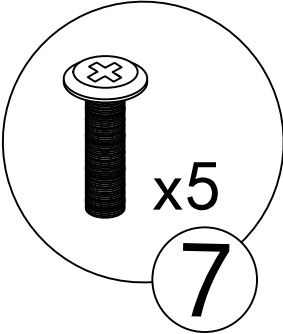
Step 45

Screw the screw to the concave hole

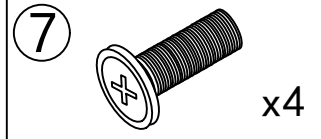


Step 46

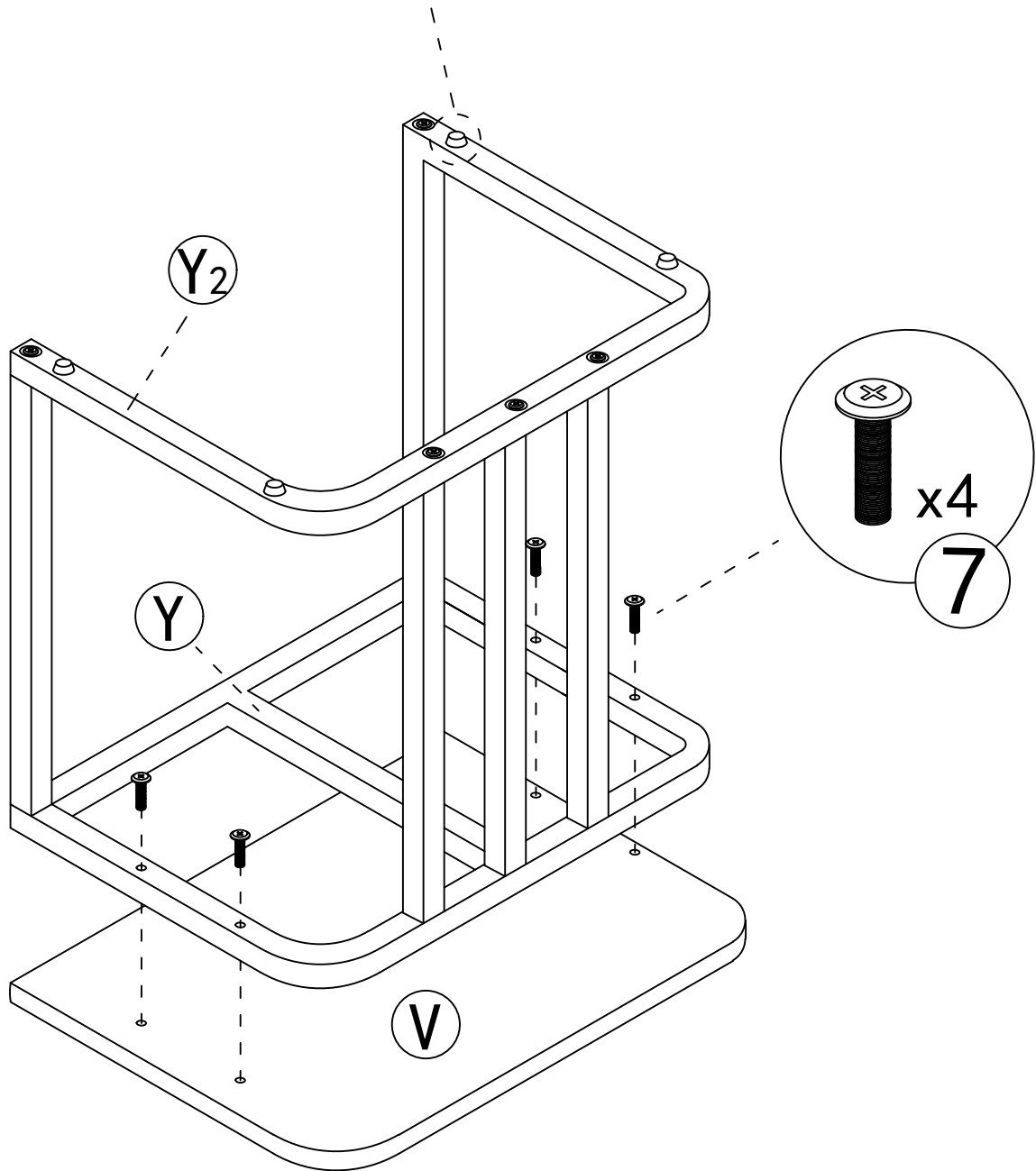
Screw the screw to the concave hole



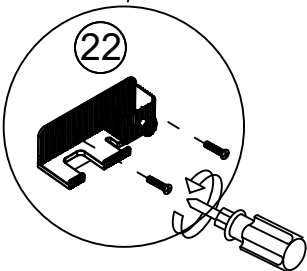
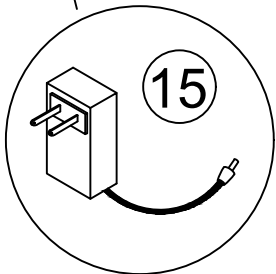
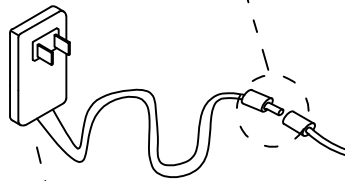
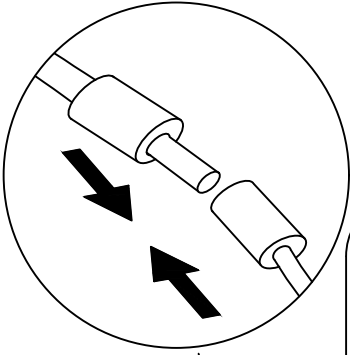
Step 47



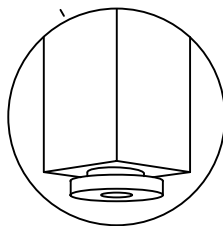
Note that the foot pad at the bottom of the iron frame Y2 can be rotated and adjusted according to the actual situation.


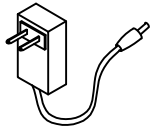
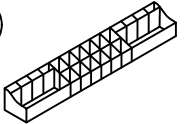



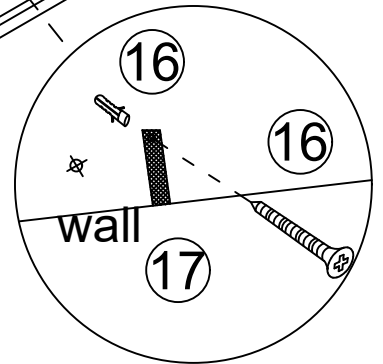
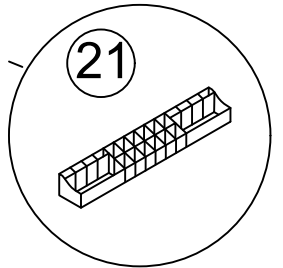
Step 48



It can be installed left and right



- 16  x1
- 15  x1
- 21  x1
- 22  1 Pcs 2 Pcs x1



Height can be adjusted under the hardware foot to avoid imbalance



User's Guide

1. To use this product, please plug it into a 12V DC power supply.
2. If there is no touch response suddenly, Re-plug the power to reset the touch static electricity.
3. If bubbles appear on the panel, remove the protective film.

Product Introduction

Smart RGB large box is powered by USB-A and Type-C, meeting the general charging needs of all phone models. Equipped with a built-in human body sensor, it can detect objects approaching within a range of 2 meters and achieve intelligent sensing to turn on lights. And with 24 colors light, fast and wireless charging function is 15W .

This touch button enables the switch of radar sensing function
A. touch this button once to turn on the radar sensing function (indicator light on). After the person leaves or remains stationary for more than 30 seconds, the light strip goes out; people and objects within a range of 2 meters move will light up the light strip.
B. Long press this button for 0.5 seconds to turn off the human body sensing function (the indicator light goes out).
 At this point, Keep the light strip as it was before turning off and no longer be affected by human and object activities.
 By default, radar sensing is enabled when powered on.

This area is for wireless charging function, supports fast charging with a maximum power of 15W. When charging, the product should be placed the center of the identification to maximize the charging efficiency. After powering on, the wireless charging function is enabled by default.

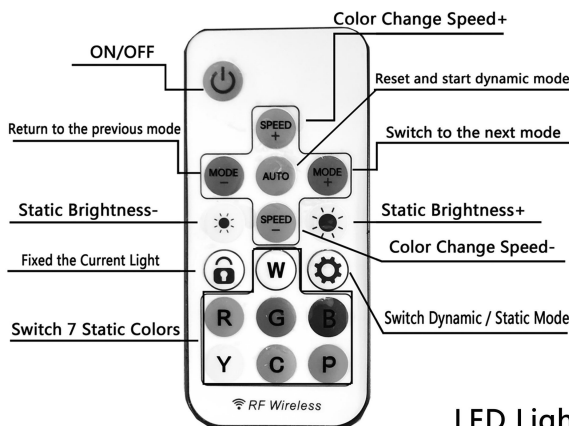
USB-A Output Port

Type-C Output Port



This touch button achieves functions such as light strip on /off, light color switching, and adjust the brightness of the light.
A. Touch this button can turn on or off the light (the indicator light will turn on or goes out) .
B. With the circle of light, long press this button to achieve to adjust brightness of the light' s function. White light is enabled by default when powered on.

This area is the color switch function, you can click or slide to any color circle position to achieve color switch. The center hexagon of the color circle is marked as the dynamic phantom color mode which have 5 magic color modes.



Pull out the plastic card before using it

LED Lights Controller-use instructions

1. After inserting the DC power adapter you can use the remote control to control the lights. Press The "on /off" key to turn on the light and it will enter the static light mode.
2. There are 7 RGB Dynamic Modes. You can press the "MODE+/-" key to choose dynamic colors that you preferred and press the "Speed+/-" key to adjust color change speed.
3. There are 7 static colors: White/Red/Green/Blue/yellow/ice blue/ pink light. You can press the "Brightness +/-" key to adjust the brightness.
4. You can press the "lock" key to fix the color you like. When you press the "Switch Dynamic /Static Mode" the light will change between dynamic mode and static mode