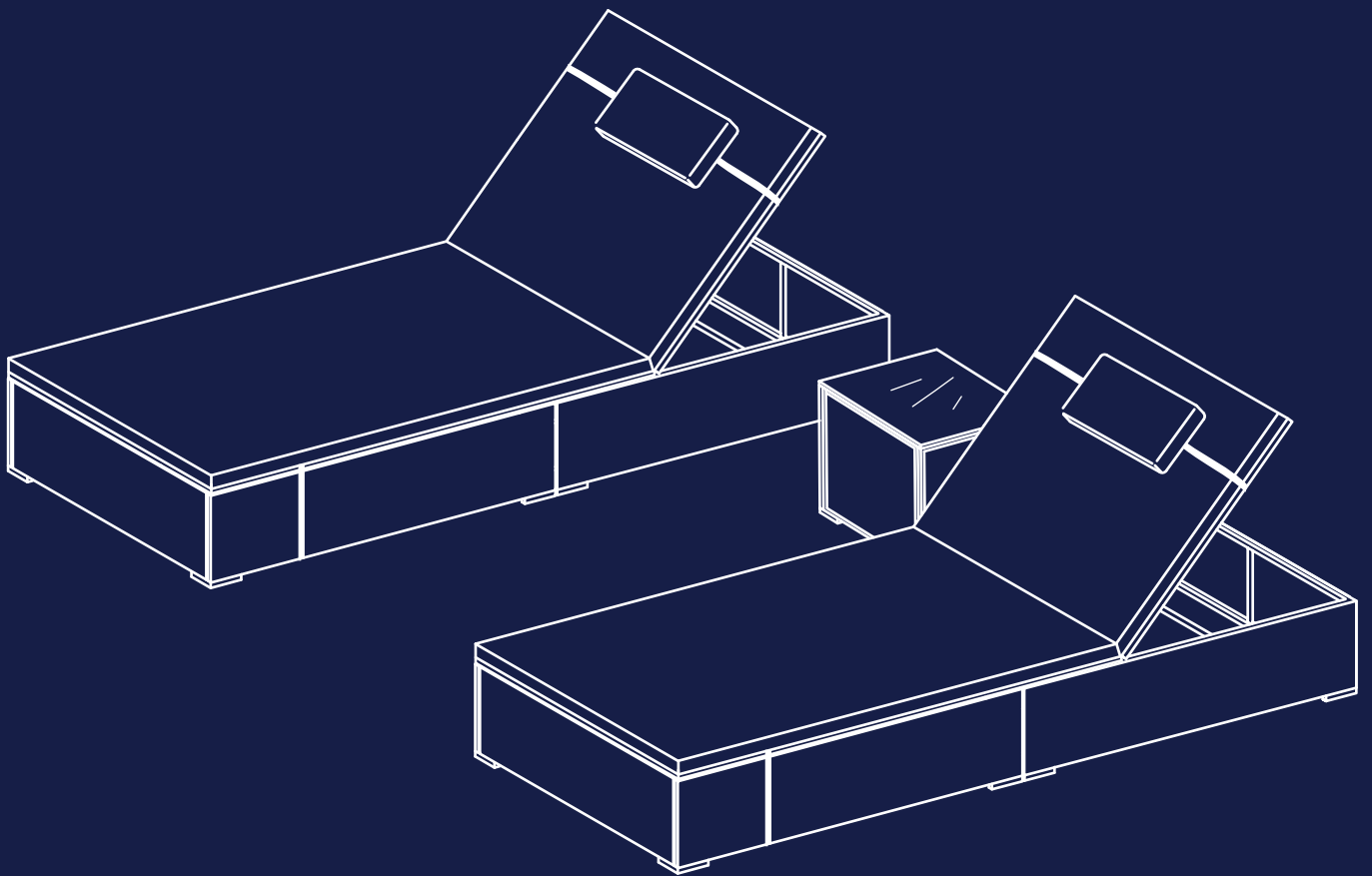

INSTRUCTION MANUAL



RATTAN LOUNGE CHAIR

Ver.1

Customer Service Team

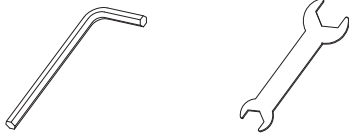
We are honored that when it comes to furniture, you think of us. There are multiple choices out there but you singled us out. We appreciate your choosing to do your shopping with us and want to be certain that you're satisfied with your transaction. We hope you enjoy our product as much as we enjoy creating the brand that you think of first.

If you have any questions, please contact us through Amazon. If you are satisfied with the product, after receiving the package, you can share your shopping experience with others. Thank you very much.
Have a nice day.


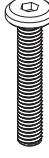





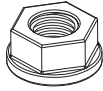
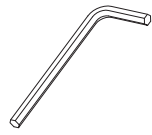

⚠ NOTICE

- Prior to first usage check to confirm all bolts, screws, and fasteners are tightened.
- We recommend periodically checking that all bolts, screws, and fasteners are securely tightened. We suggest doing this every 90 days.
- During assembly do not fully tighten screws until assembly complete.
- Do not store this product near an open flame or combustible or flammable chemicals.
- Carefully inspect all parts prior to assembly to avoid any component which might have a sharp or unfinished edge.
- During inspection should you notice any component which is damaged or worn, replace it before resuming use.
- Do not use this item in a way inconsistent with the manufacturer's instructions as this could void the product warranty.
- Please do not allow the parts to come into direct contact with the ground to prevent the parts from being scratched.

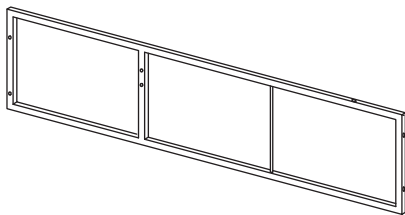
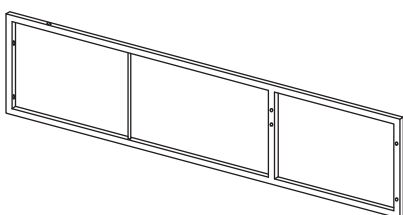
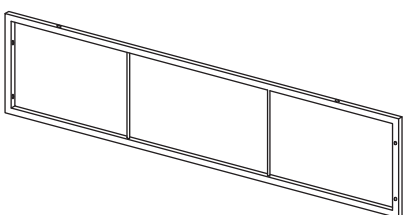
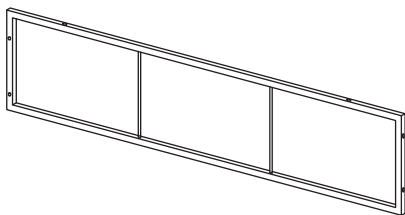
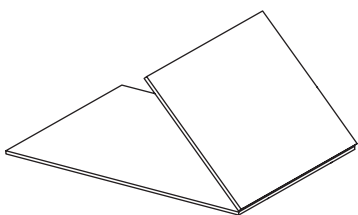
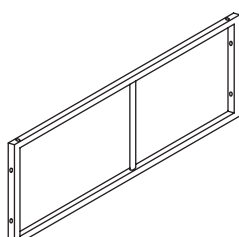
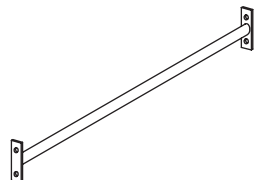
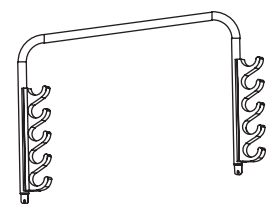
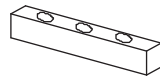
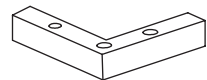
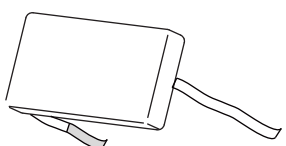
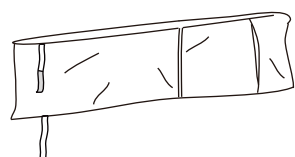

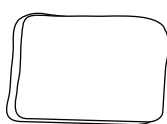
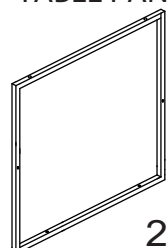
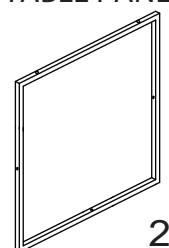
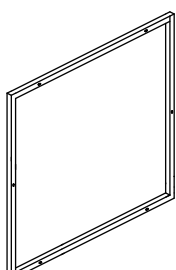
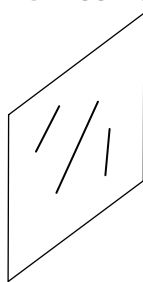
TOOLS PROVIDED



SCREWS AND FASTENERS

K SCREW  M6x50 8pcs	L SCREW  M6x35 28pcs	M SCREW  M6x30 10pcs	N SCREW  M6x25 44pcs	O SCREW  M6x15 8pcs
P WASHER  Φ14x6.4 70pcs	Q PLASTIC GASKETS  M6 4pcs	R NUT  M6 12pcs	S ALLEN KEY  1pc	T ALLEN OPEN-END WRENCH  1pc

PARTS

<p>A LEFT REAR SIDE PANEL</p>  <p>2pcs</p>	<p>B RIGHT REAR SIDE PANEL</p>  <p>2pcs</p>	<p>C LEFT FRONT SIDE PANEL</p>  <p>2pcs</p>	
<p>D RIGHT FRONT SIDE PANEL</p>  <p>2pcs</p>	<p>E LOUNGE SURFACE WITH BACKREST</p>  <p>2pcs</p>	<p>F FRONT AND REAR SIDE PANELS</p>  <p>4pcs</p>	
<p>G REINFORCING STRUT</p>  <p>2pcs</p>	<p>H BACK SUPPORT</p>  <p>2pcs</p>	<p>I MID-SECTION FEET</p>  <p>8pcs</p>	<p>J CORNER FEET</p>  <p>12pcs</p>
<p>U HEAD CUSHION</p>  <p>2pcs</p>	<p>V CISHION STORAGE BAG</p>  <p>2pcs</p>	<p>V1 LOUNGE CUSHION</p>  <p>2pcs</p>	<p>V2 BACK CUSHION</p>  <p>2pcs</p>
<p>W FRONT AND BACK TABLE PANELS</p>  <p>2pcs</p>	<p>X LEFT AND RIGHT TABLE PANELS</p>  <p>2pcs</p>	<p>Y TOP TABLE PANEL</p>  <p>1pc</p>	<p>Z GLASS TOP</p>  <p>1pc</p>

1 Carefully identify the left and right side panel components and secure using the screws as shown in the drawing.

RIGHT

LEFT

A **B** **C** **D** **K** **P** **R**

K M6x50 ×4

P Φ14x6.4 ×8

R M6 ×4

x2

2

Downward View

FRONT

LEFT

RIGHT

BACK

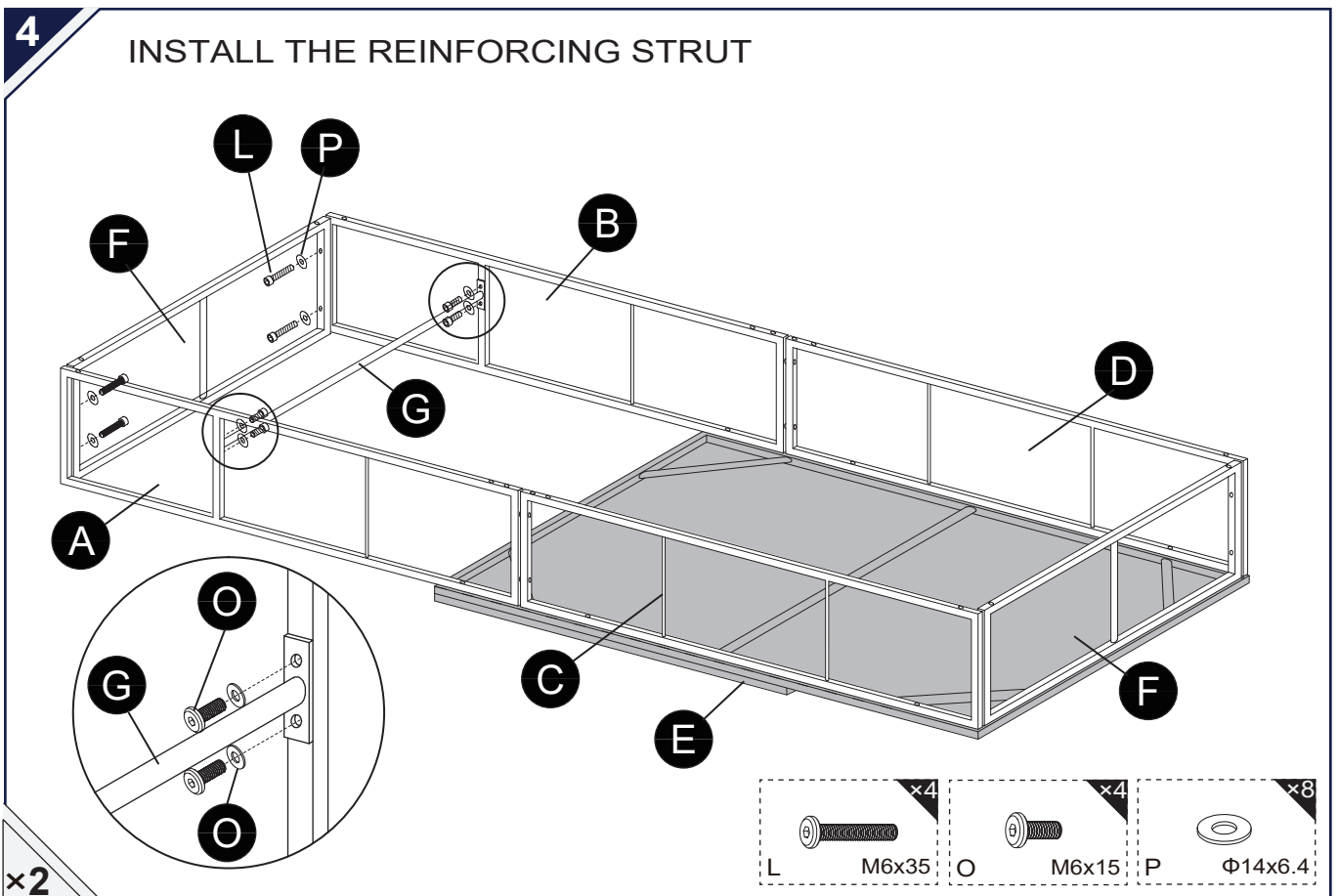
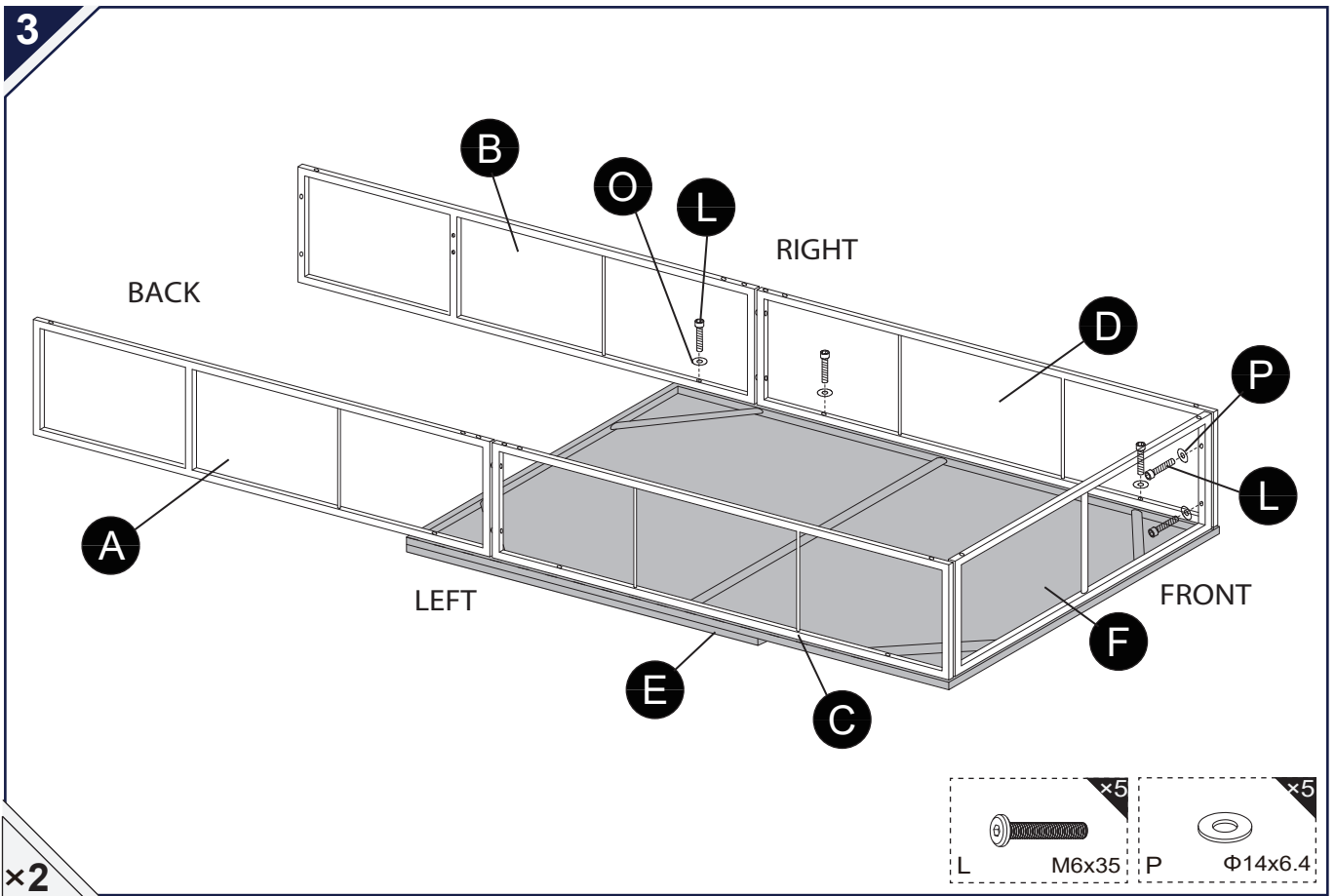
A **C** **E** **F** **L** **O** **P**

L M6x35 ×5

P Φ14x6.4 ×5

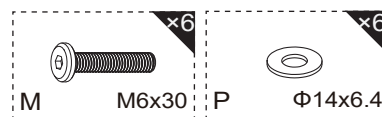
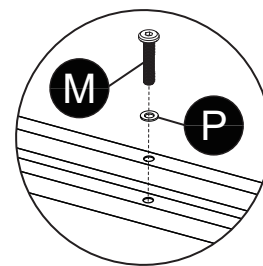
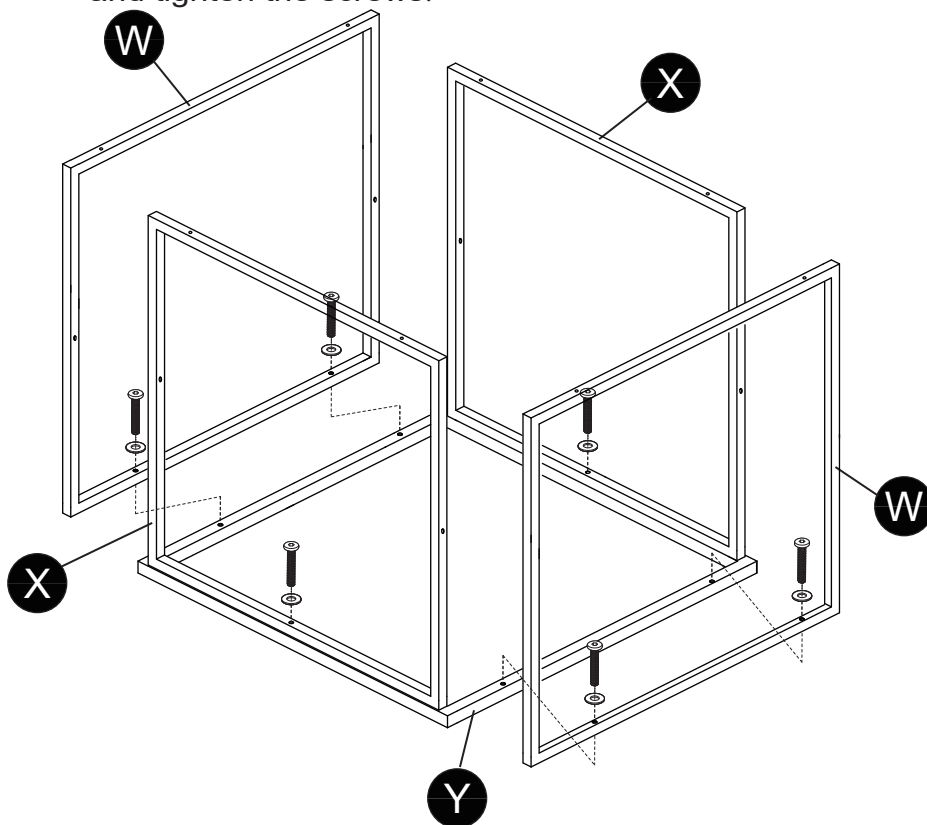
Attach the side panels to the lounge chair/backrest. Please note that the side panels must be turned upside down to do this. If properly situated you will be able to see the holes used for attachment of feet on the top surface of the side panels.

x2



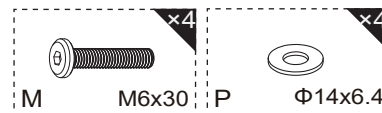
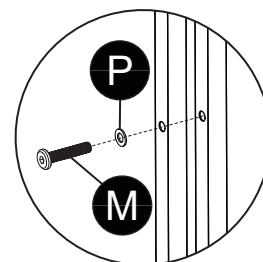
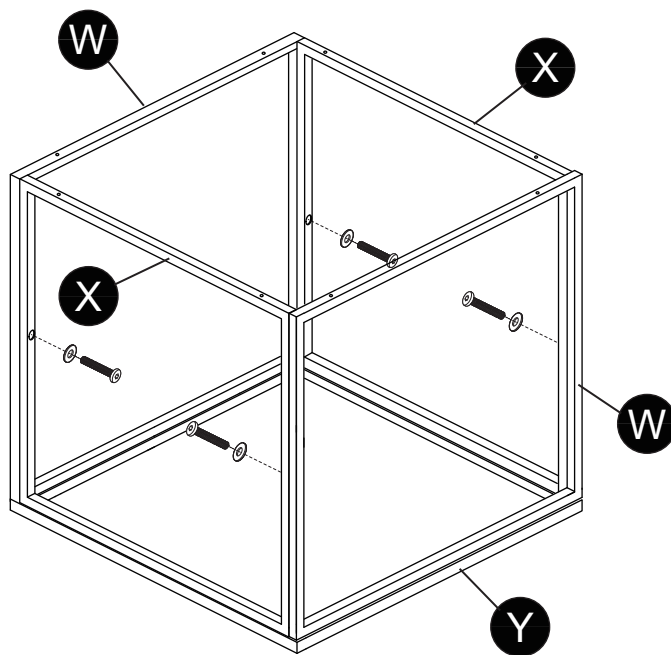
7

Link the front, rear, left, and right desktops with the top desktop plate in turn, and tighten the screws.



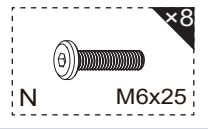
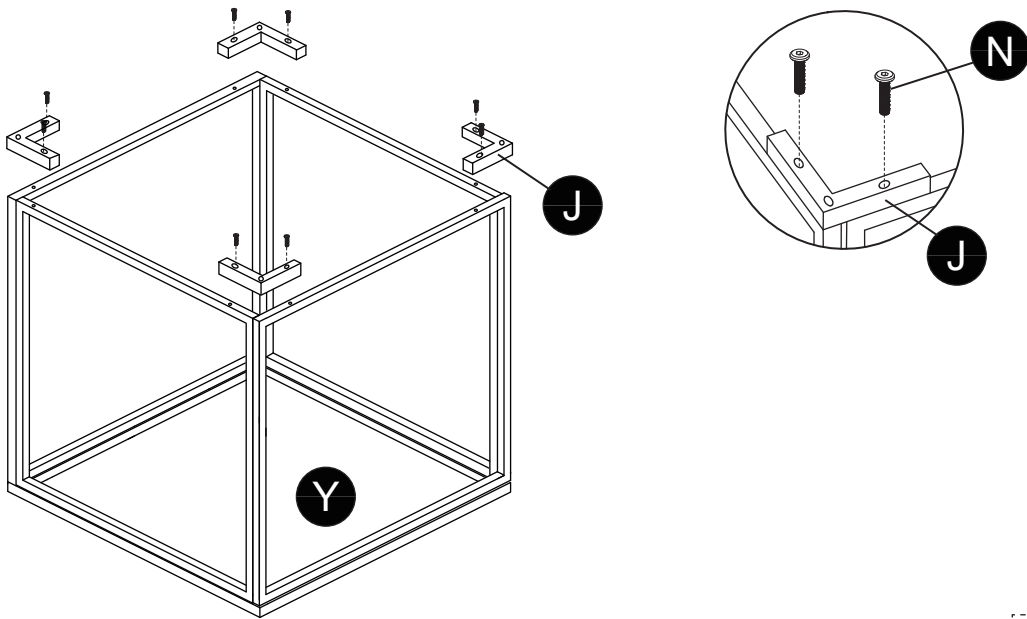
8

Tighten the screws on the four side panels of the link.



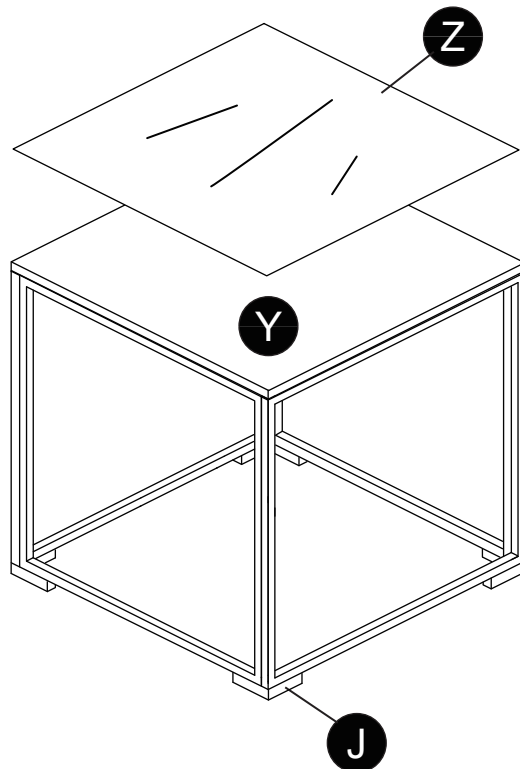
9

Install the corner feet and tighten the screws.



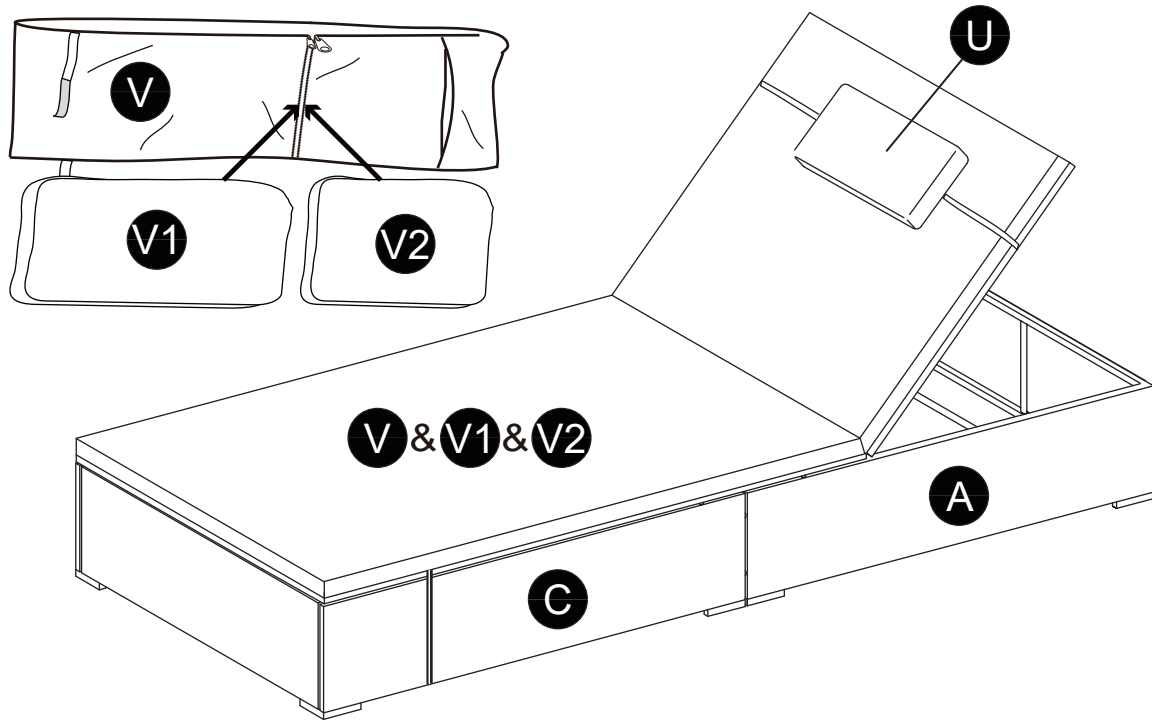
10

Place the glass countertop



11

FASTEN THE CUSHIONS



12

