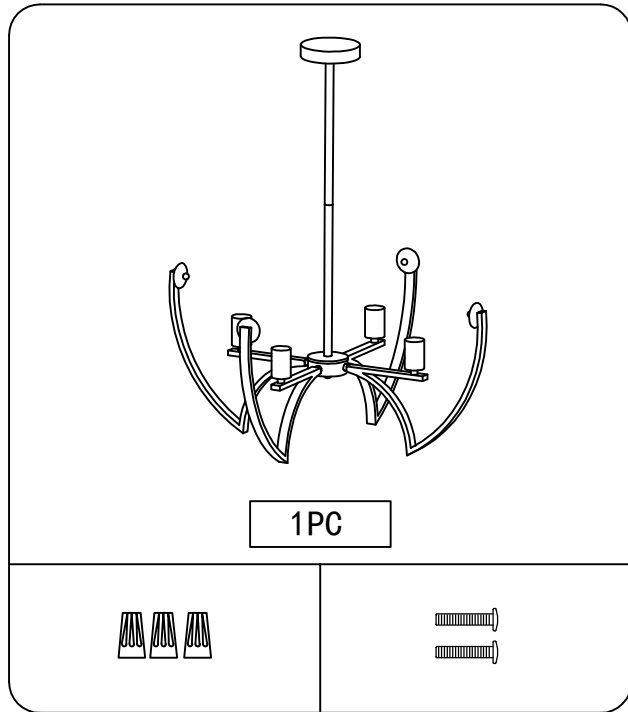


4-LIGHT CHANDELIER



EN

OPERATING INSTRUCTIONS

Thank you for your purchase! Before install the product, Please read this instruction carefully, and keep it for further reference.

1. PRODUCT PARAMETERS

Parameter	Description
Size	61*61*69cm
Weight	2.3Kg
Input Voltage	110V
Wattage	40W
Base Type	E26
Material	Metal

2. SAFETY TIPS

The luminaires can only be installed and inspected by an authorized electrician. Do not touch when the lamp is lit. In the event of a malfunction, the power must be deactivated first! It should be specially maintained by an electrician or qualified personnel.

