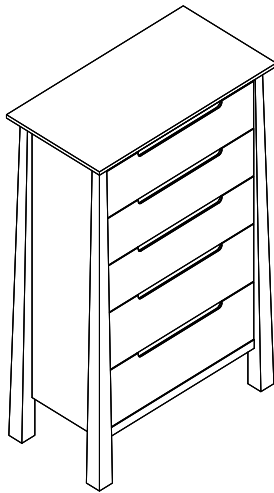


# INSTRUCTIONS

## NEW SHAKER STYLE CHEST



①		$\Phi 5/32'' \times 1.3/16''$	x 44
②		$\Phi 5/16'' \times 1.3/16''$	x36
③		SCREWDRIVER	x1
④		$\Phi 15/64'' \times 1.3/16''$	x10
⑤		GLUE	x1
⑥		$\Phi 1/4'' \times 5/8''$	x8
⑦		$\Phi 1/4''$	x8
⑧		$\Phi 1/4'' \times 1.1/4''$	x8
⑨		$\Phi 5/32'' \times 23/64''$	x10
⑩		BACKBOARD BUCKLE	x8
⑪		$\Phi 1/8'' \times 5/8''$	x8
⑫		TIPPING RESTRAINT	x2
⑬		Allen Key	x1
⑭		CROSS SCREWDRIVER	x1

**\* Extra screw for your commitment.**

**\* Please assemble flat or nice service.**

# **"Congratulations on Your Recent Purchase! Here Are Some Tips Before You Begin Assembling:"**

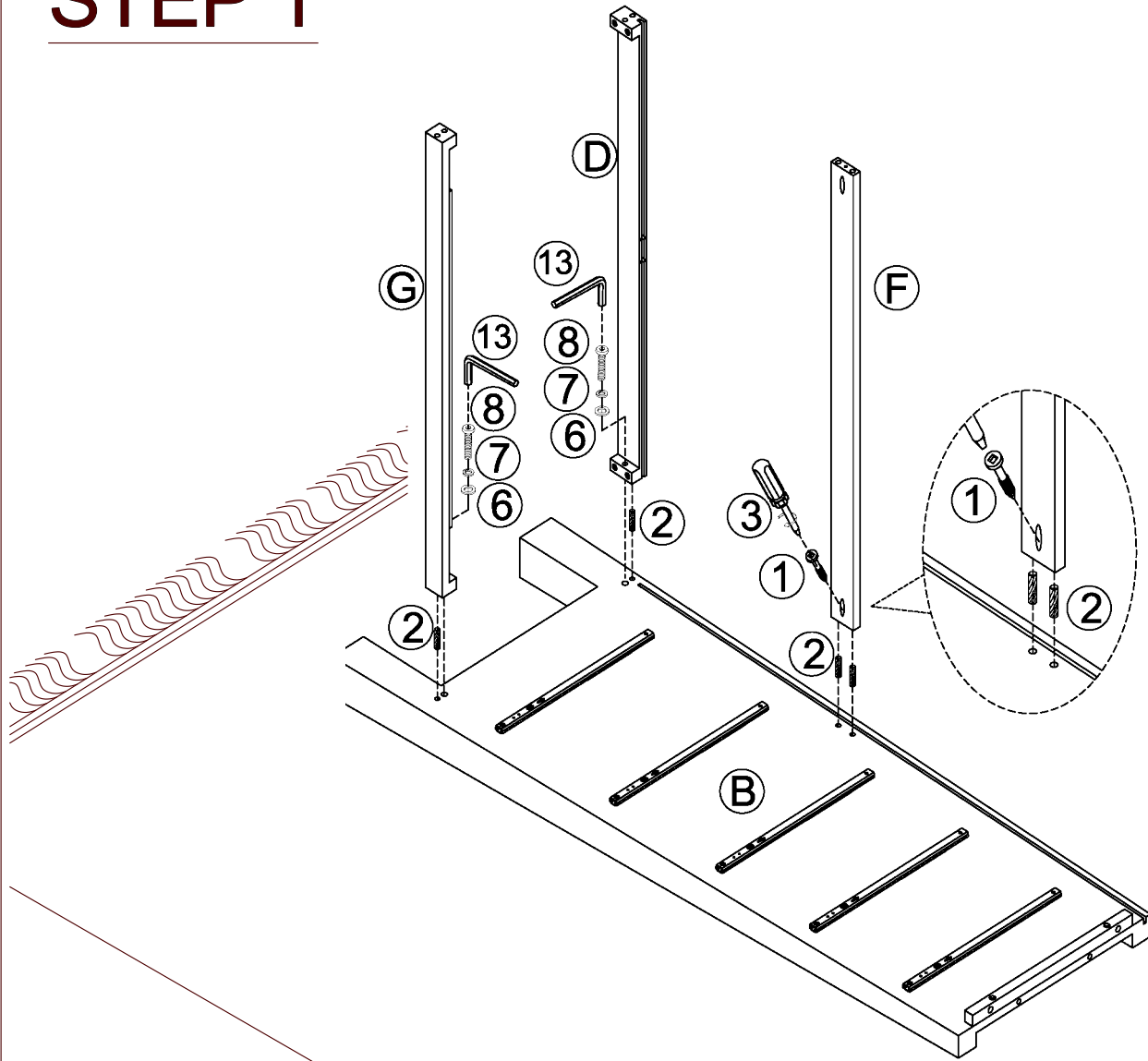
**"Preparing for your exciting new purchase? Be sure to set yourself up for a smooth assembly process by following these steps:"**

- **First, we recommend using a rug or any large clean surface as your workspace to provide a sturdy base for assembly.**
- **Next, it is important to separate all components and identify each part by their designated letters. This will make it easier to follow the assembly instructions and ensure all pieces are placed correctly.**
- **Additionally, on a clean surface separate and identify all screws lengths and hardware. You can use the assembly instructions as a guide and place the screws on top of the actual size pictured. This will save you time and confusion during the assembly process.**
- **Finally, we highly encourage you to carefully read through the assembly instructions and start from step one. Follow each step diligently until your new purchase is fully assembled. However, if you have any questions or need further assistance, please do not hesitate to reach out to us via email.**

**Thank you again for choosing our product.  
We wish you all the best and happy assembling!**



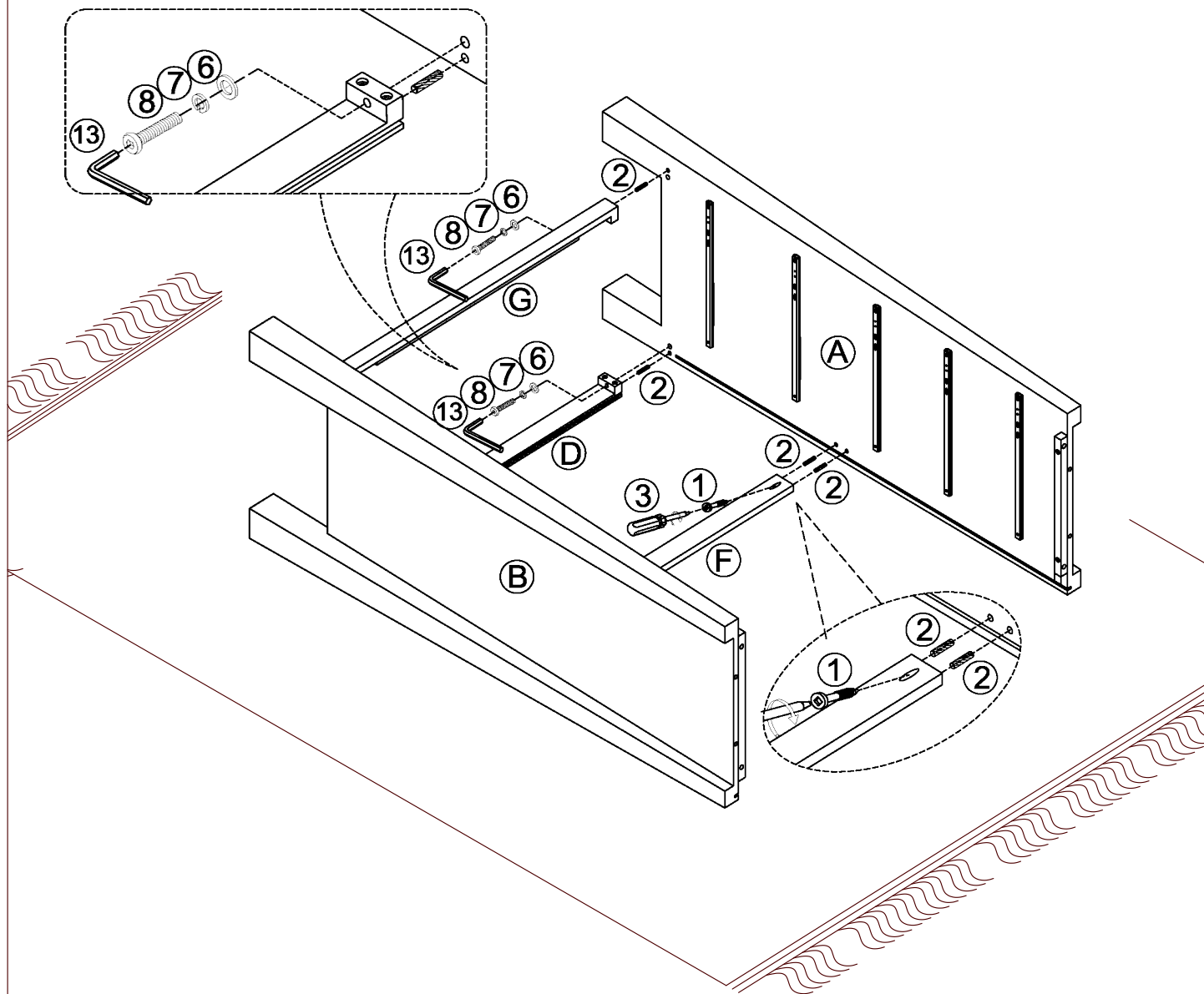
# STEP 1



**ATTENTION !**  
Clean Surface / Rug  
before start assemble

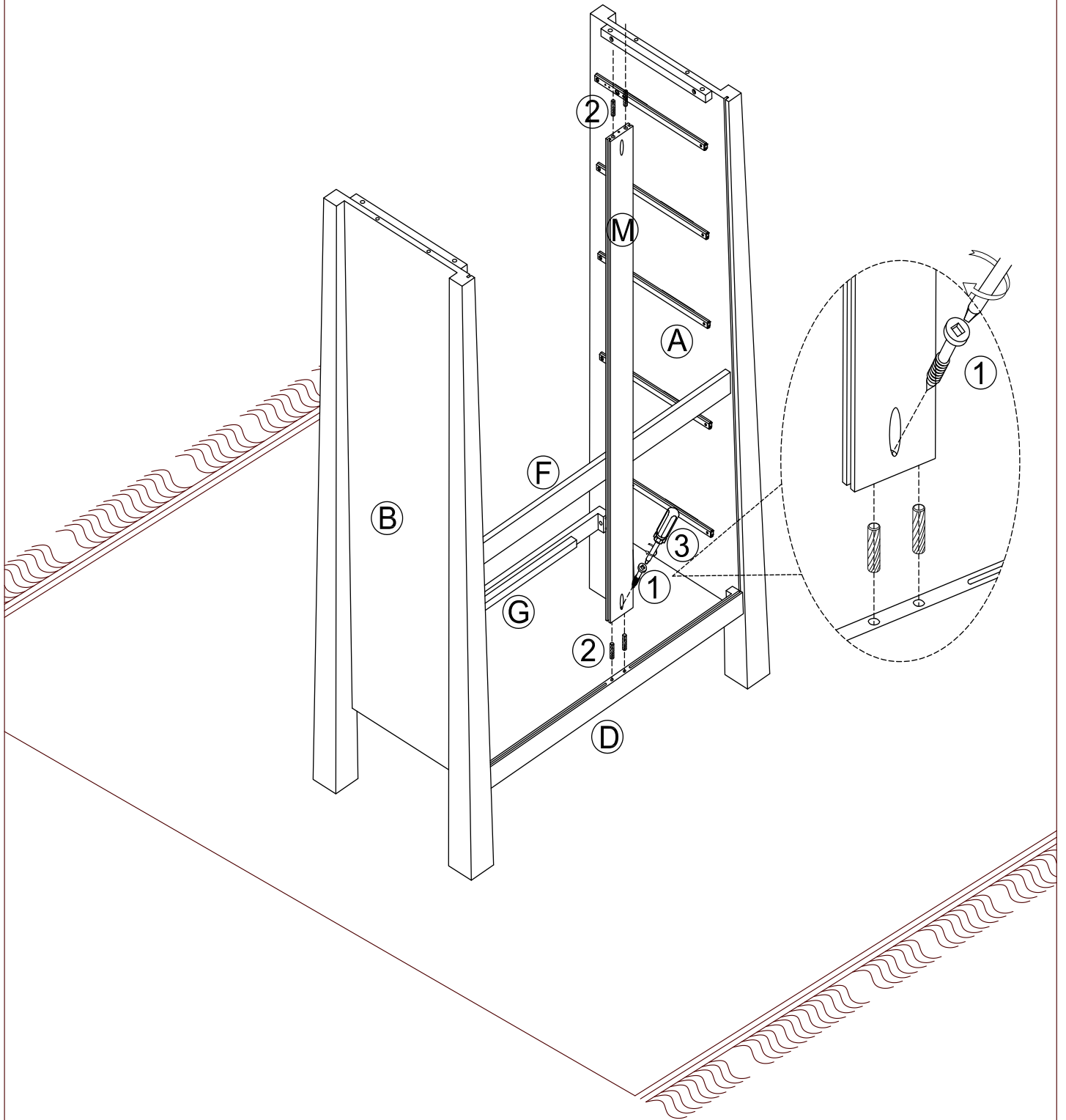
③		SCREWDRIVER	x1
⑬		Allen Key	x1
②		Φ 5/16" *1.3716"	x4
⑥		Φ1/4" X 5/8"	x2
⑦		Φ1/4"	x2
⑧		Φ1/4" X 1.1/4"	x2
①		Φ5/32" X 1.3/16"	x1




# STEP 2



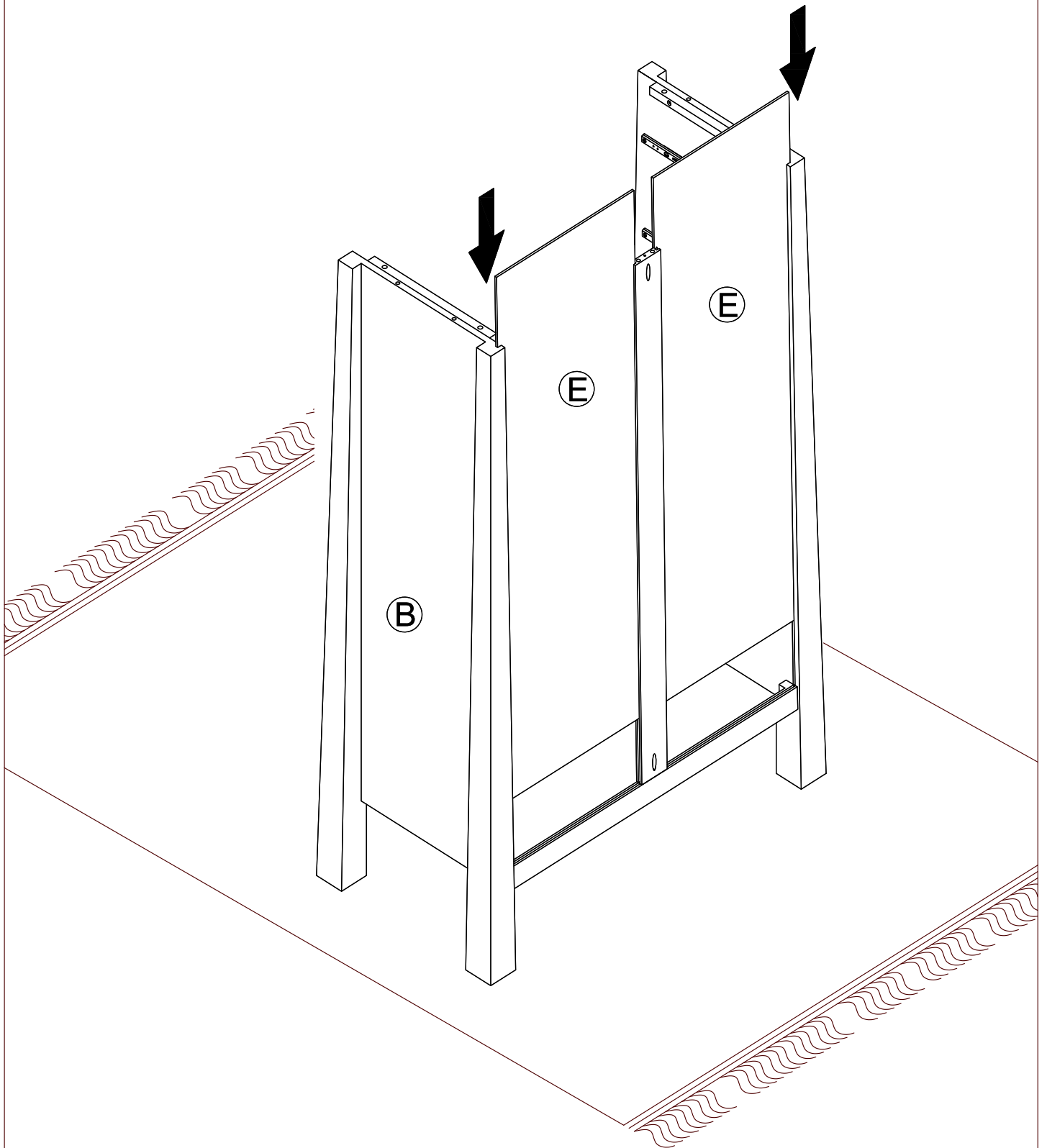
③		SCREWDRIVER	x1
⑬		Allen Key	x1
②		Φ 5/16" *1.3/16"	x4
⑧		Φ1/4 X 1.1/4"	x2
⑦		Φ 1/4"	x2
⑥		Φ 1/4*5/8"	x2
①		Φ5/32" X 1 3/16"	x1

# STEP 3

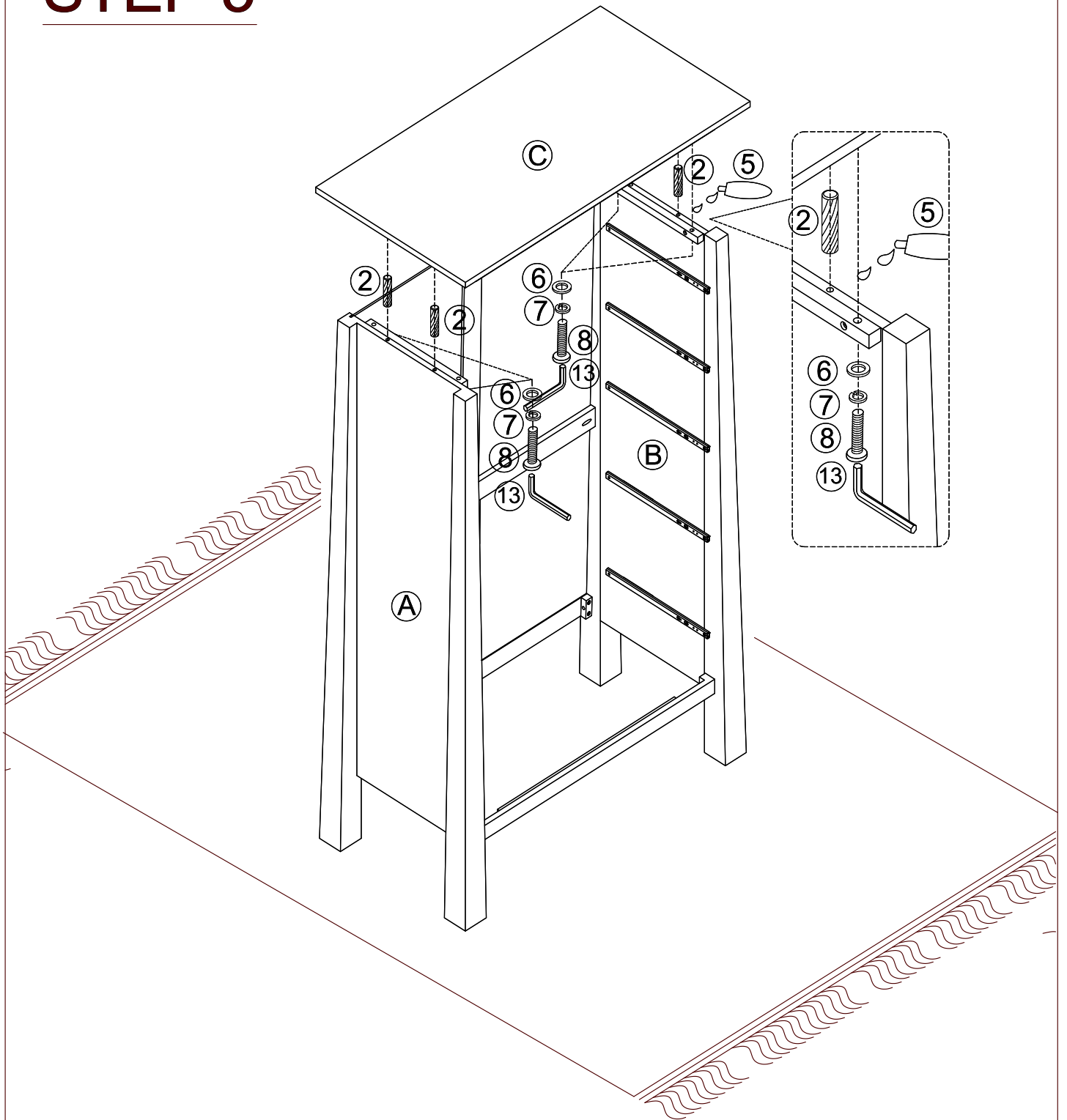


③		SCREWDRIVER	x 1
②		Φ5/16"X1.3/16"	x4
①		Φ5/32" X 1.3/16"	x1

# STEP 4

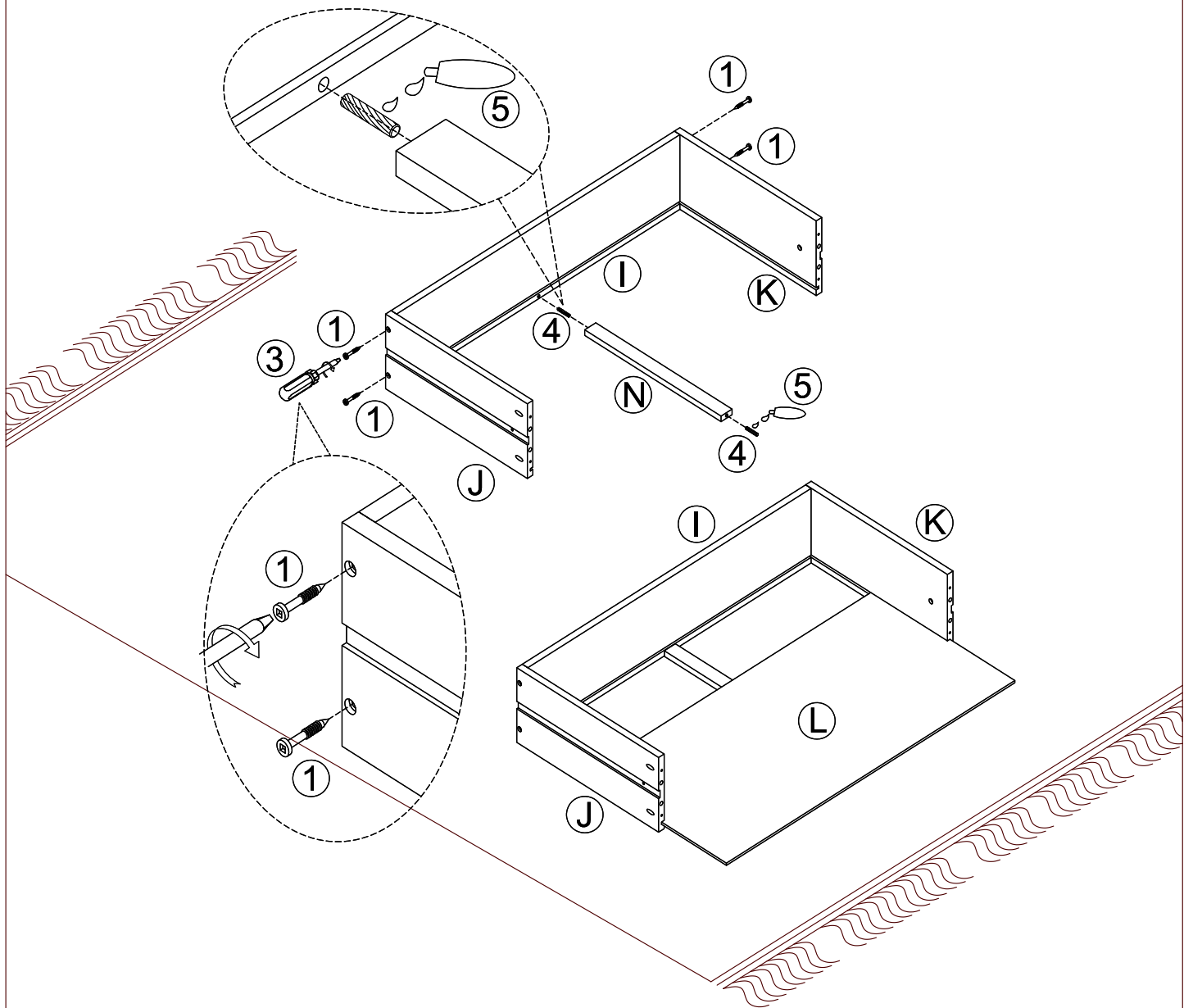





# STEP 5



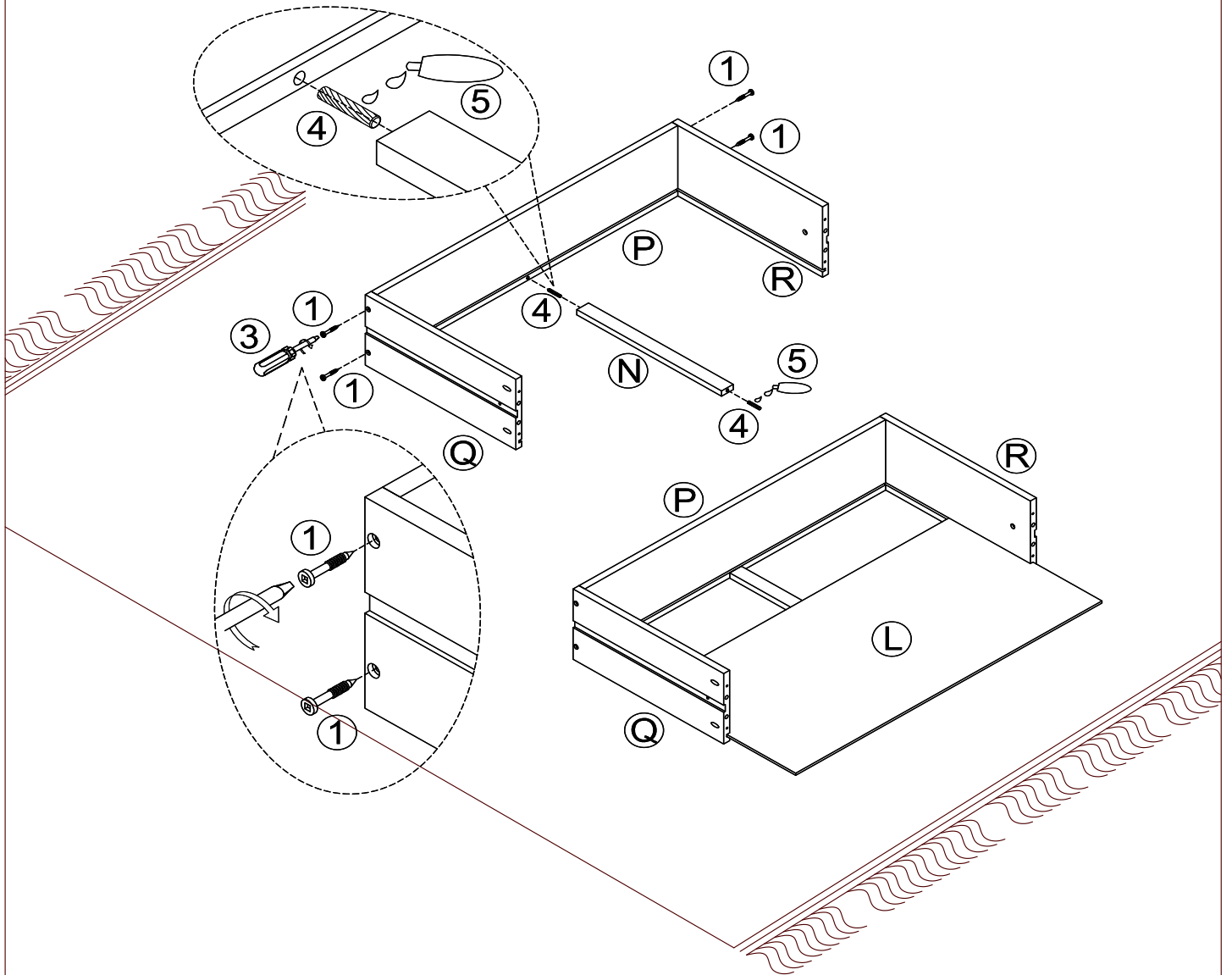
⑤		GLUE	x1
⑬		Allen Key	x1
②		$\Phi 5/16'' \times 1.3/16''$	x4
⑥		$\Phi 1/4'' \times 5/8''$	x4
⑦		$\Phi 1/4''$	x4
⑧		$\Phi 1/4'' \times 1.1/4''$	x4





# STEP 6



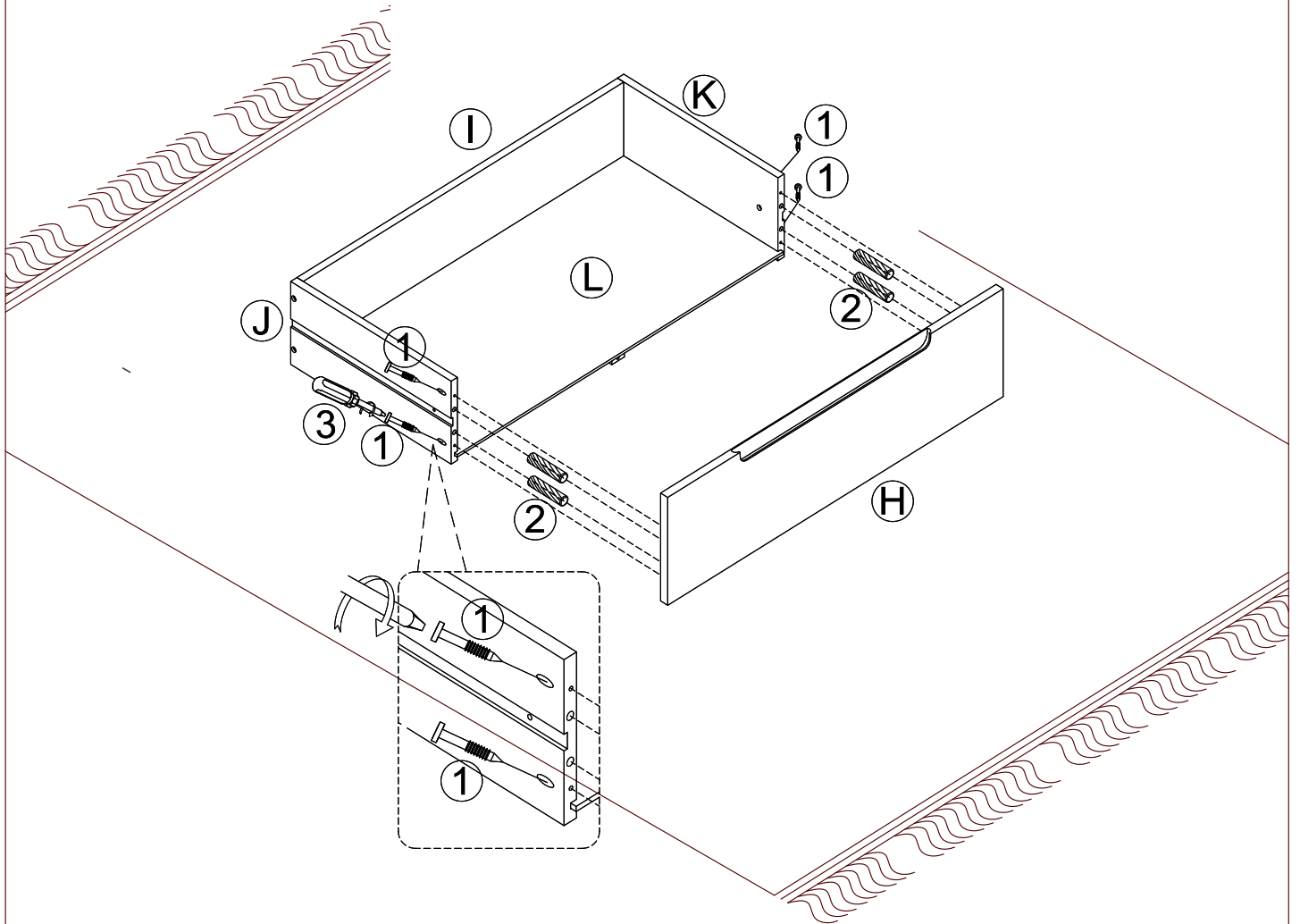
⑤		GLUE	x1
③		SCREWDRIVER	x 1
①		Φ5/32" X 1 .3/16"	x12
④		Φ15/64" X 1 .3/16"	x6





# STEP 7



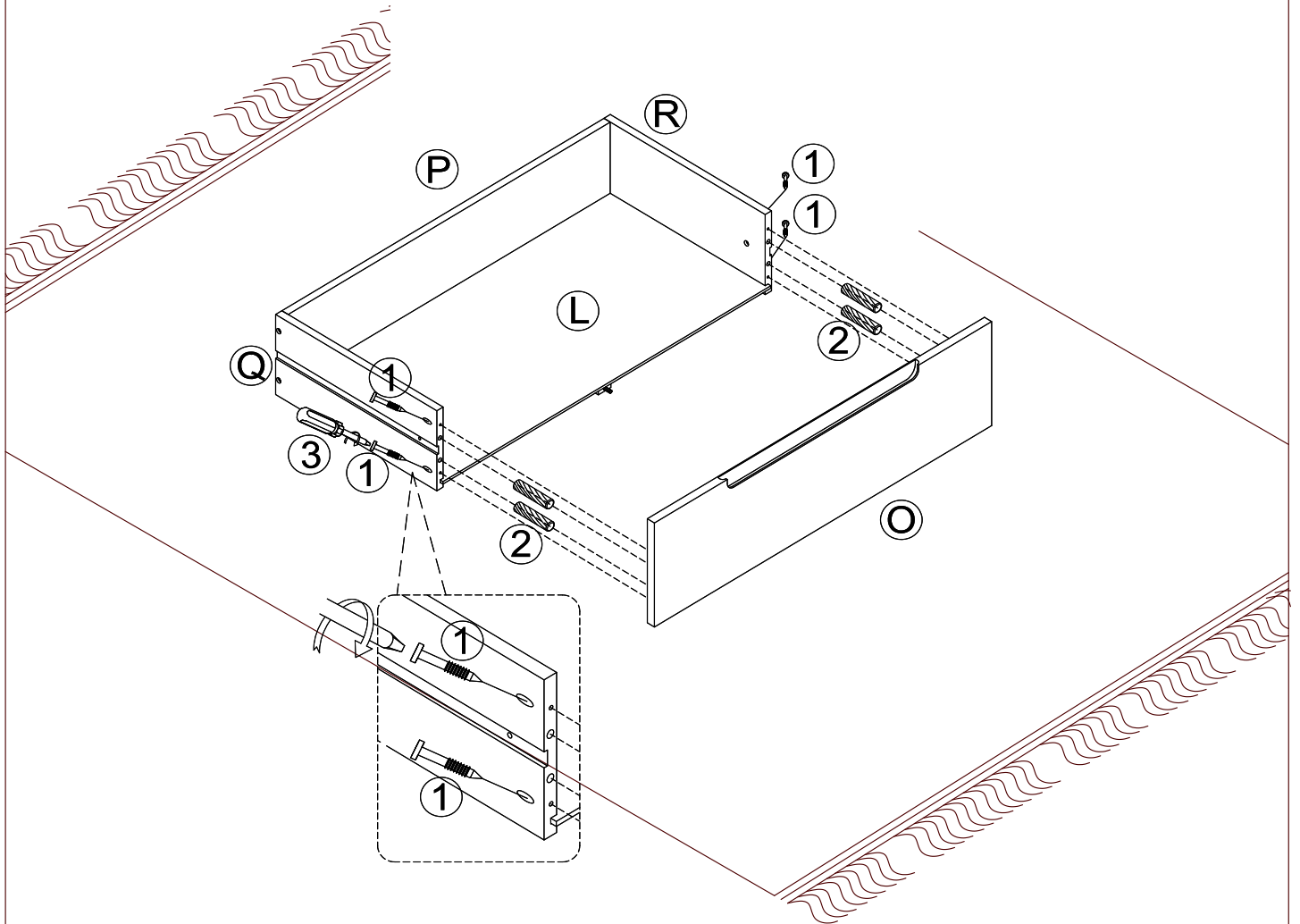
⑤		GLUE	x1
③		SCREWDRIVER	x 1
①		Φ5/32" X 1 .3/16"	x8
④		Φ15/64" X 1 .3/16"	x4




# STEP 8



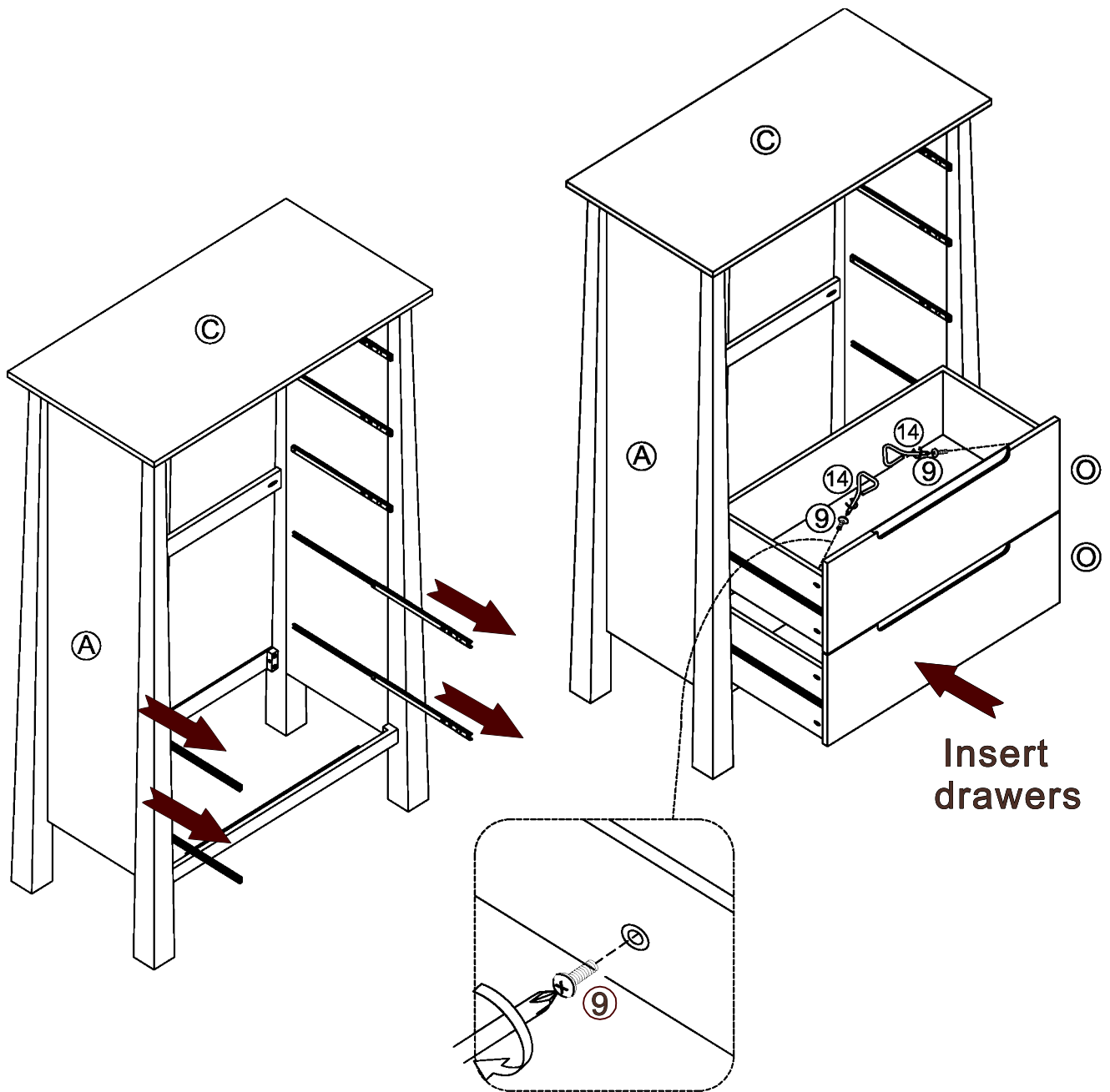
⑤		GLUE	x1
③		SCREWDRIVER	1
②		Φ5/16"X1.3/16"	x 12
①		Φ5/32" X 1.3/16"	x 12

# STEP 9



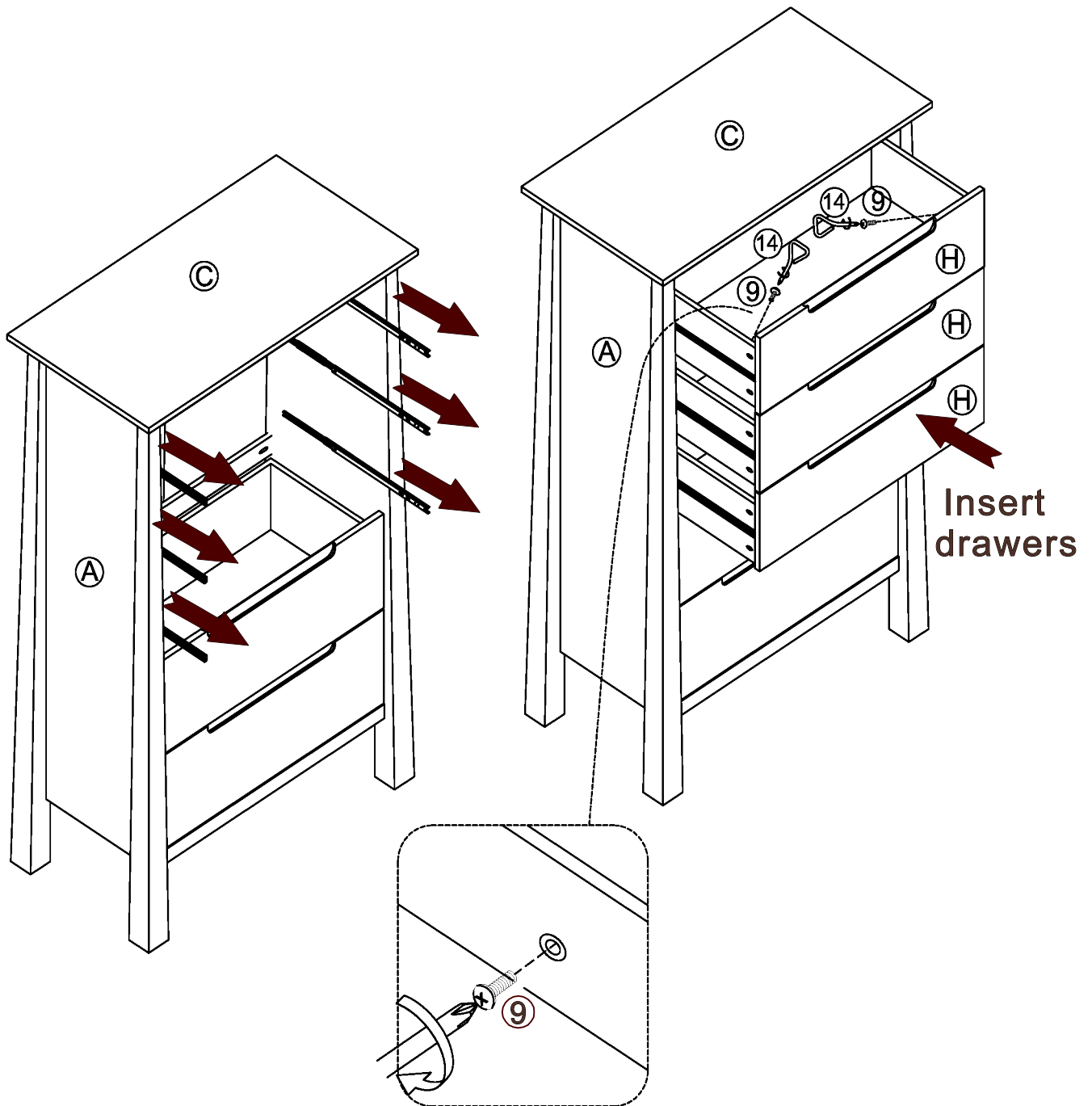
③		SCREWDRIVER	1
②		Φ5/16"X1.3/16"	x8
①		Φ5/32" X 1.3/16"	x8

# STEP 10



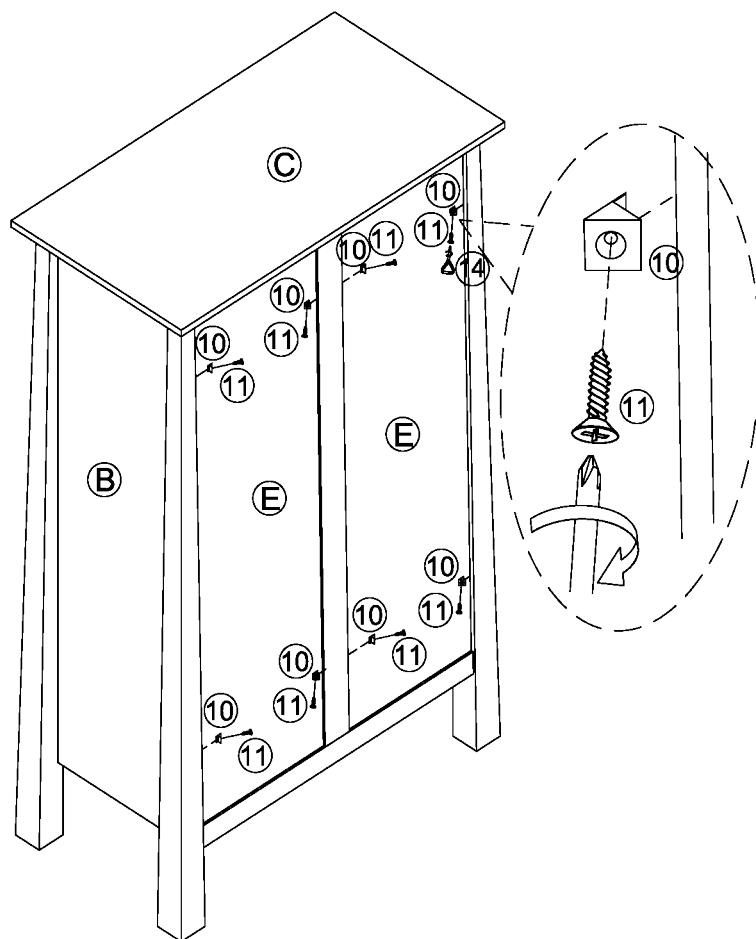
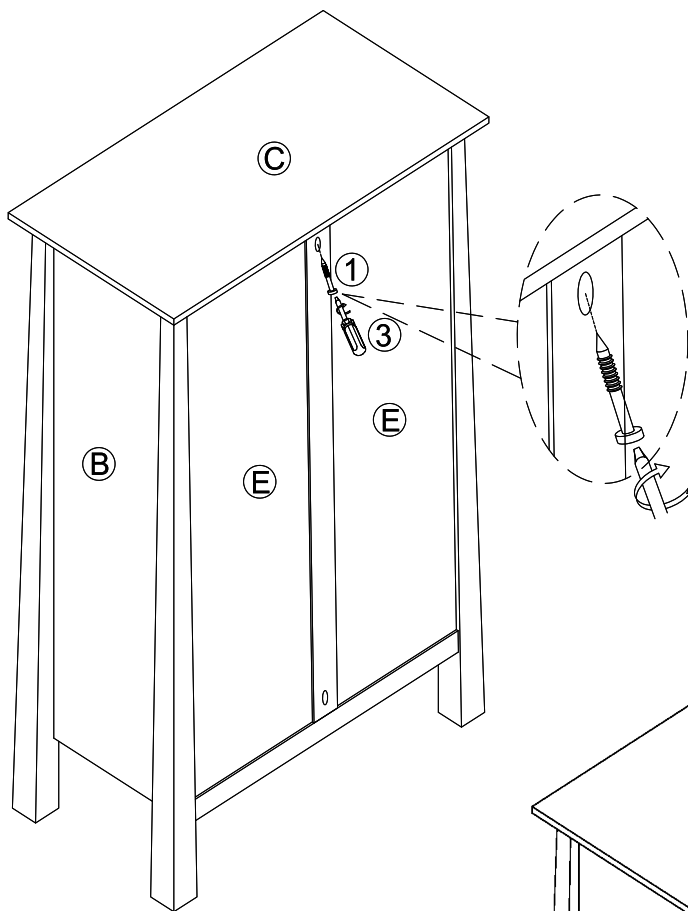
⑭		CROSS SCREWDRIVER	x1
⑨		Φ5/32" X 23/64"	x4

# STEP 11



⑭		CROSS SCREWDRIVER	x1
⑨		Φ5/32" X 5.1/64"	x6

# STEP 12

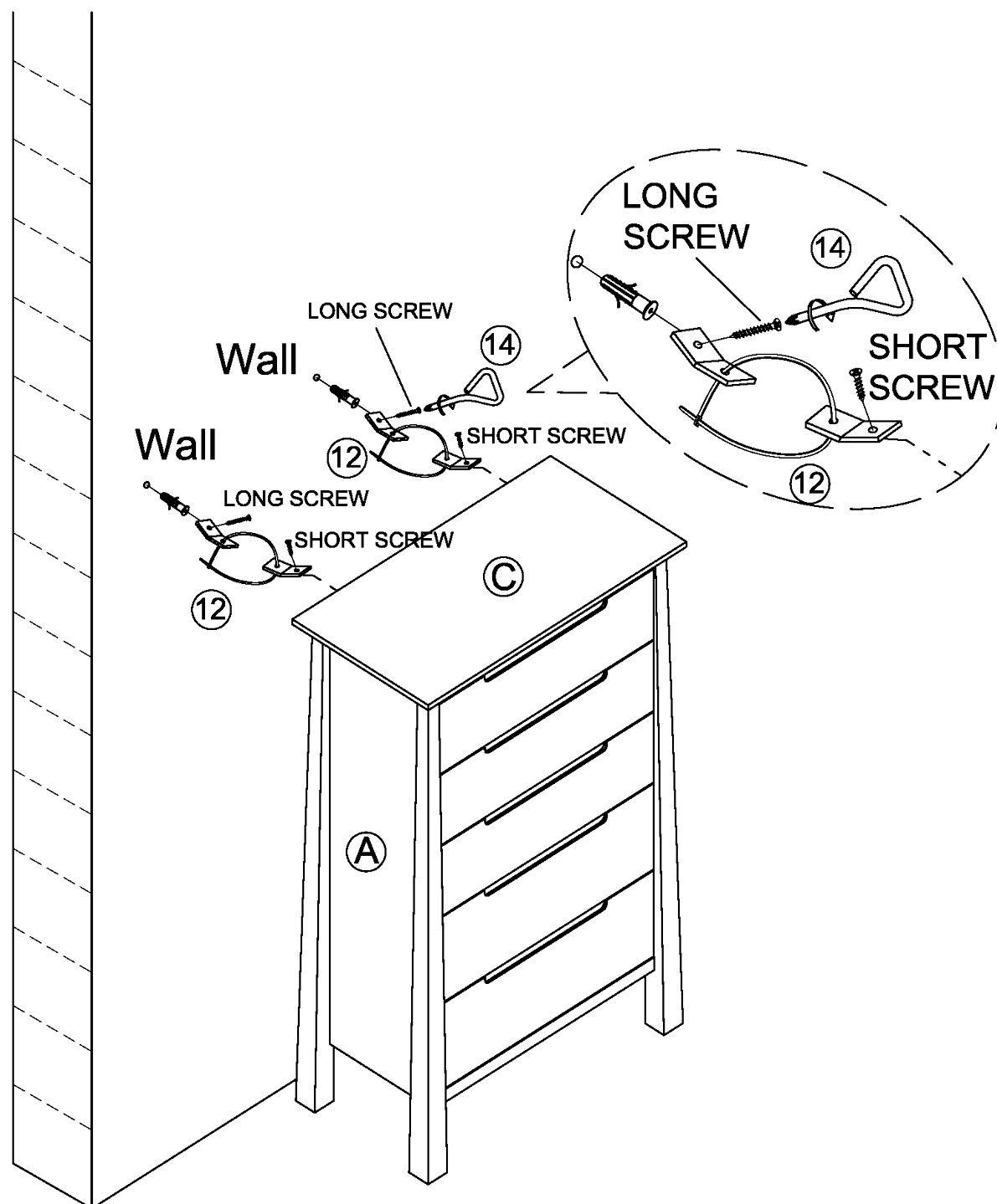


③		SCREWDRIVER	x1
⑭		CROSS SCREWDRIVER	x1
①		Φ5/32" X 1 3/16"	x1
⑩		BACKBOARD BUCKLE	x8
⑪		Φ1/8" X 5/8"	x8

# INSTALLATION OF TIPOVER RESTRAINT KIT

The Tipover Restraint Kit is highly recommended for this piece of furniture.

**(Please take this into extra consideration around young toddlers and children)**



⑭		CROSS SCREWDRIVER	x1
⑫		TIPPING RESTRAINT	x2

# **THANK YOU**

**We hope you enjoy your new purchase.**

**We have personally inspected this product.**

**In the event that you need any additional help for any reason,**

**Please do not hesitate to contact us**

**Thank you**