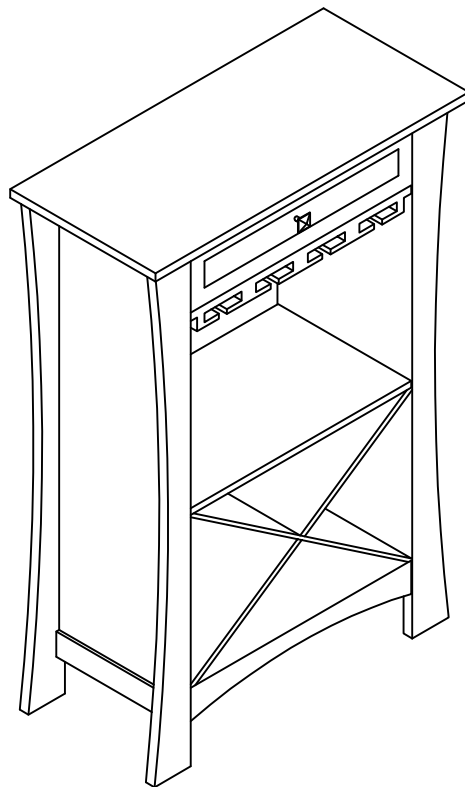


ASSEMBLY INSTRUCTIONS

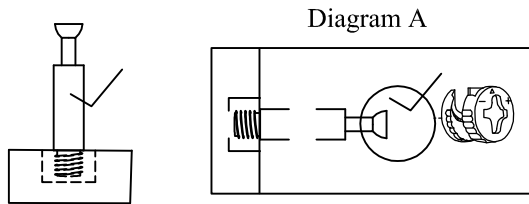
Wine Rack



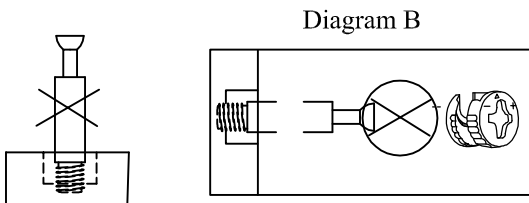
NOTE TO CUSTOMERS:

- For ease and speed of assembly we recommend that before you commence each step of the assembly that you identify all the parts required to complete that step.
- We recommend that where possible you allow sufficient space to assemble the item as close as possible to the place where it will be once assembled.
- For the protection of your furniture we recommend that the product is placed on protected surfaces during assembly to prevent any damage.
- During assembly do not over tighten, as this may damage the product.
- Please ensure you retain all the product packaging until the item completely assembled.
- Please periodically check all fittings and re-tighten as necessary.
- Please never allow any liquids to remain on your furniture as absorption can cause the wood to warp or finish to de-laminate.
- It is recommended that this item should be assembled by two adults.

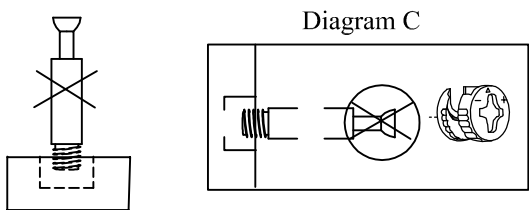
To insert a cam lock: (Please read below instructions before assembling)



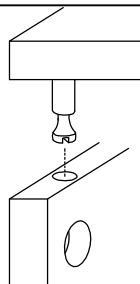
1. Insert cam screw into hole as shown in diagram A .



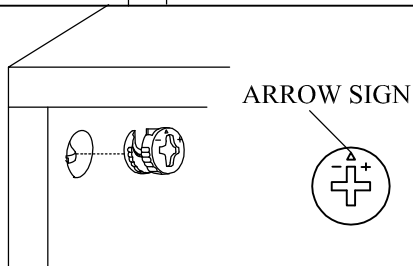
Make sure not to insert the cam screw:
Too deep as shown in figure B as this will cause the cam screw to be misaligned and unable to interlock properly.



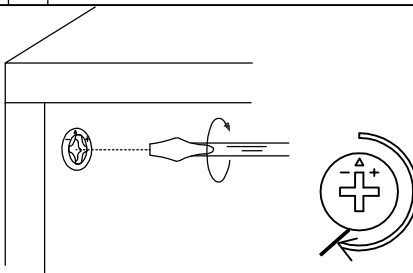
Also avoid inserting the cam screw too close to the surface of the hole as shown in figure C, as this will cause the cam lock to be too loose, and not interlock properly.



2. Connect the panels together.



3. When inserting the cam lock make sure the arrow of the cam lock faces the cam screw.



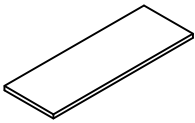
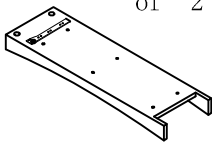
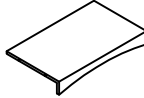
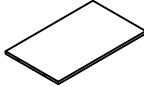
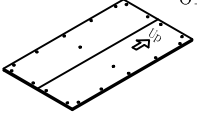

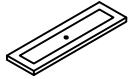
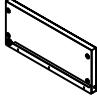
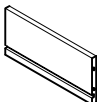
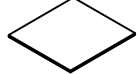
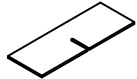
4. To tighten the cam lock turn the cam lock clockwise 90-180 degree or until the arrow is facing opposite the place cam lock was inserted.

NOTE: DO NOT USE AN AUTOMATIC SCREWDRIVER TO TIGHTEN CAM LOCKS.

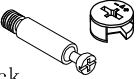




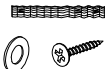
Note:

- Read these instructions carefully before assembling.
- Tools required : Phillips screwdriver, flat screwdriver.
- Find a clean, smooth area on which to work , such as a carpet, in order to avoid scratching the wood surfaces.
- Wait to dispose of the packing material until assembly is complete and all parts and hardware are accounted for.
- Two or more people might be required for assembly.

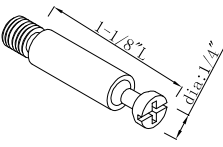
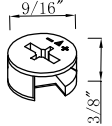
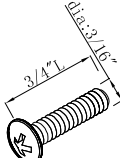
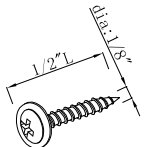
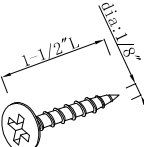
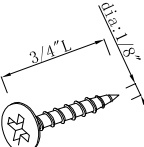
Part List

<p>A1 Quantity of 1</p>  <p>Top Panel</p>	<p>A2 Quantity of 2</p>  <p>Side Panel (L&R)</p>	<p>A3 Quantity of 1</p>  <p>Bottom Panel</p>	<p>A4 Quantity of 1</p>  <p>Divider</p>
<p>A5 Quantity of 1</p>  <p>Back Panel</p>	<p>A6 Quantity of 1</p>  <p>Glass Holder</p>	<p>A7 Quantity of 1</p>  <p>Drawer Front Panel</p>	<p>A8 Quantity of 2</p>  <p>Drawer Side Panel (L&R)</p>
<p>A9 Quantity of 1</p>  <p>Drawer Back Panel</p>	<p>A10 Quantity of 1</p>  <p>Drawer Bottom Panel</p>	<p>A11 Quantity of 2</p>  <p>Cross Panel</p>	

Hardware List

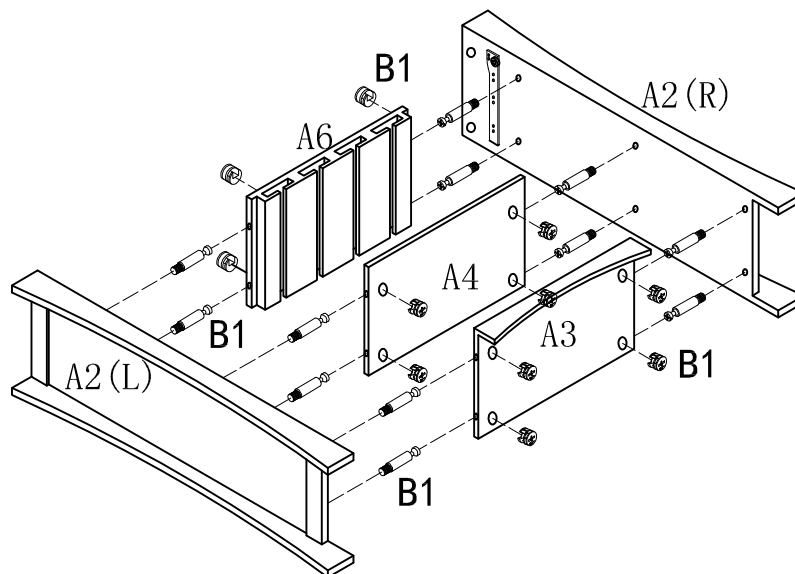
<p>B1 Quantity of 16</p>  <p>Cam-Lock</p>	<p>B2 Quantity of 1</p>  <p>Knob with Screw</p>	<p>B3 Quantity of 8</p>  <p>Screw</p>	<p>B4 Quantity of 20</p>  <p>Screw</p>
<p>B5 Quantity of 1</p>  <p>Anchor with Screw</p>	<p>B6 Quantity of 1</p>  <p>Anti-tip kit</p>		

APPENDIX: Dimension of Hardwares in this AI.

<p>B1</p>  <p>Cam-bolt</p>	<p>B2</p>  <p>Cam-Lock</p>	<p>B3</p>  <p>Screw</p>	<p>B4</p>  <p>Screw</p>	<p>B5</p>  <p>Screw</p>	<p>B6</p>  <p>Screw</p>
---	---	---	--	--	---

STEP 1

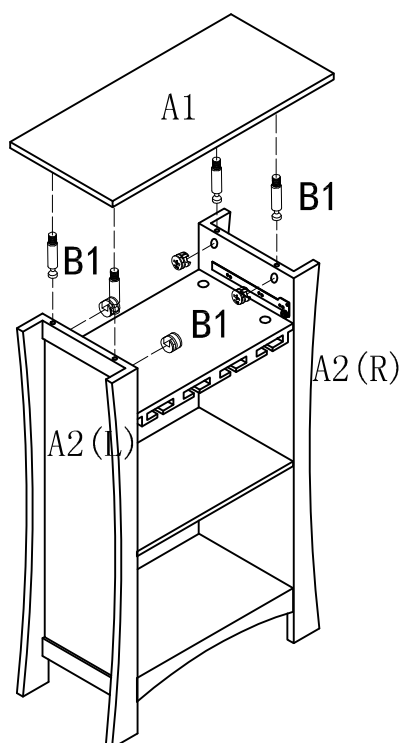
B1   12sets



Assemble Side Panels A2 (L&R) to Bottom Panel A3, Divider A4 and Glass Holder A6 using Cam-Locks B1.

STEP 2

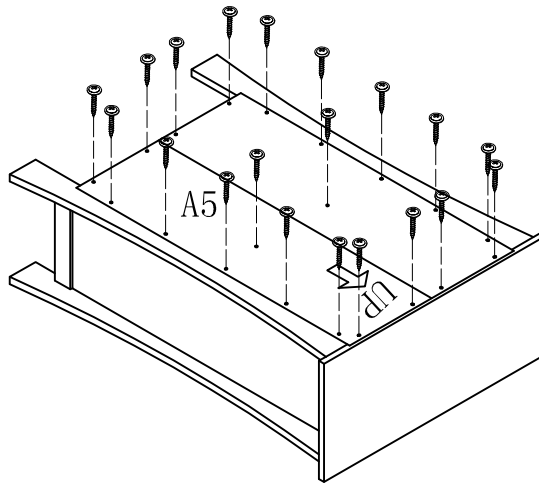
B1   4sets



Attach Top Panel A1 to Side Panels A2 (L&R) using Cam-Locks B1.

STEP 3

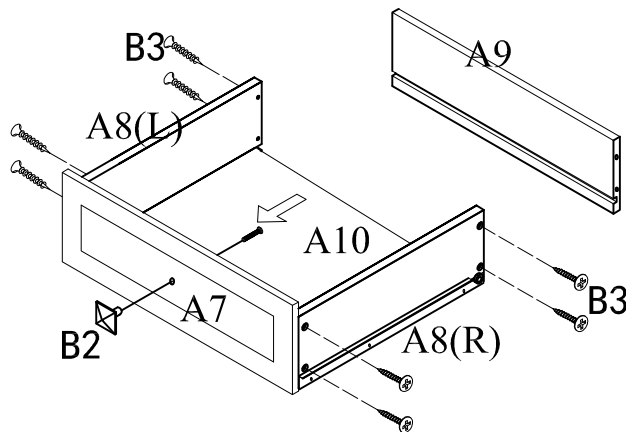
B4  20pcs



Attach Back Panel A5 to the back of the rack using Screws B4.

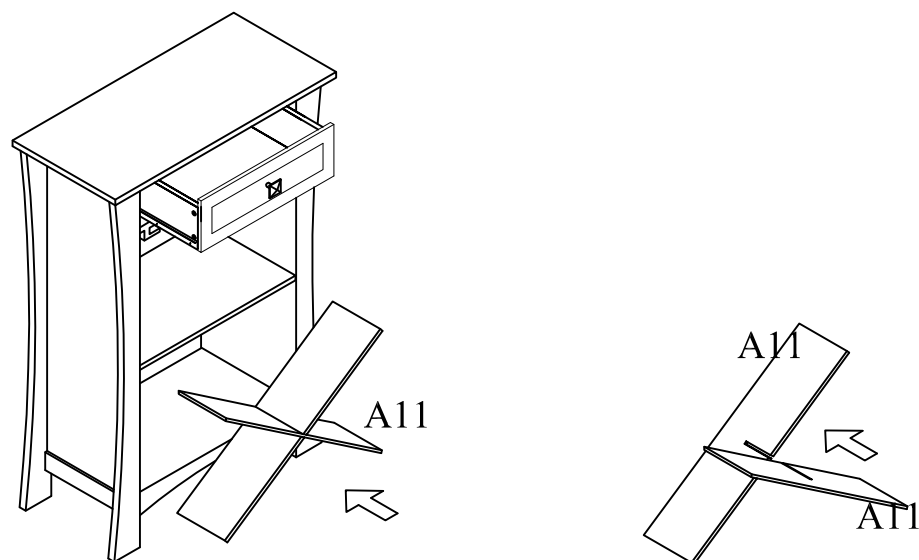
STEP 4

B2  1set
B3  8pcs







- 1). Assemble Drawer Side Panels A8 (L&R) to Drawer Front Panel A7 using Screws B3.
- 2). Insert Drawer Bottom Panel A10 into the grooves on the Side Panels A8 (L&R), Drawer Front Panel A7.
- 3). Attach Knob B2 to Drawer Front Panel A7 using included Bolts.
- 4). Assemble Drawer Back Panel A9 to Side Panels A8(L&R) and Bottom Panel A10.

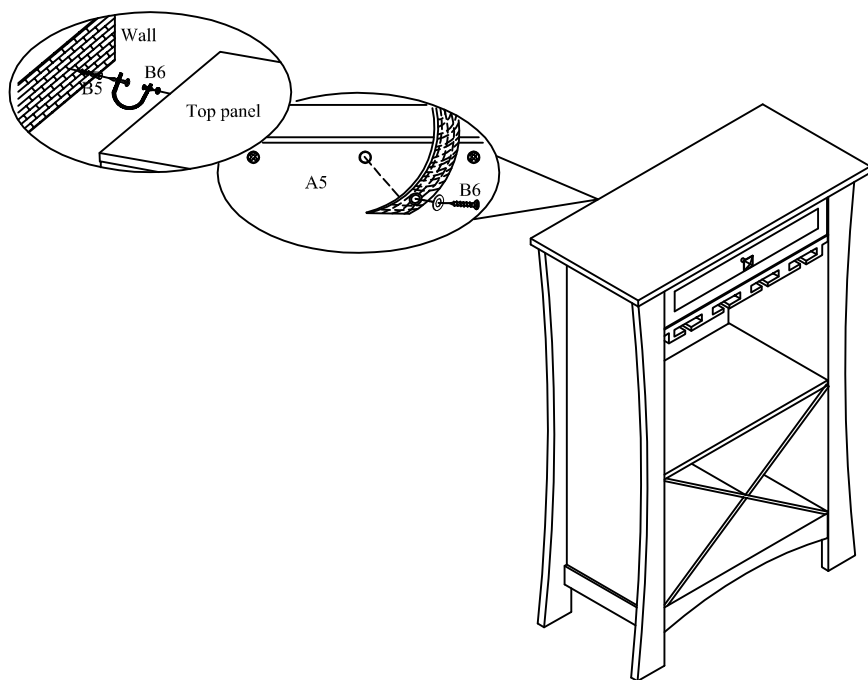
STEP 5



- 1).Insert the drawer into the unit as shown above.
- 2).Insert Two Cross Panels A11,then put them into the bottom cube of the unit.

STEP 6

B5			1set
B6			1set



For your safety, please attach this rack to the wall by Anchor with Screw A5 and Anti-Tip Kit B6 as shown above.