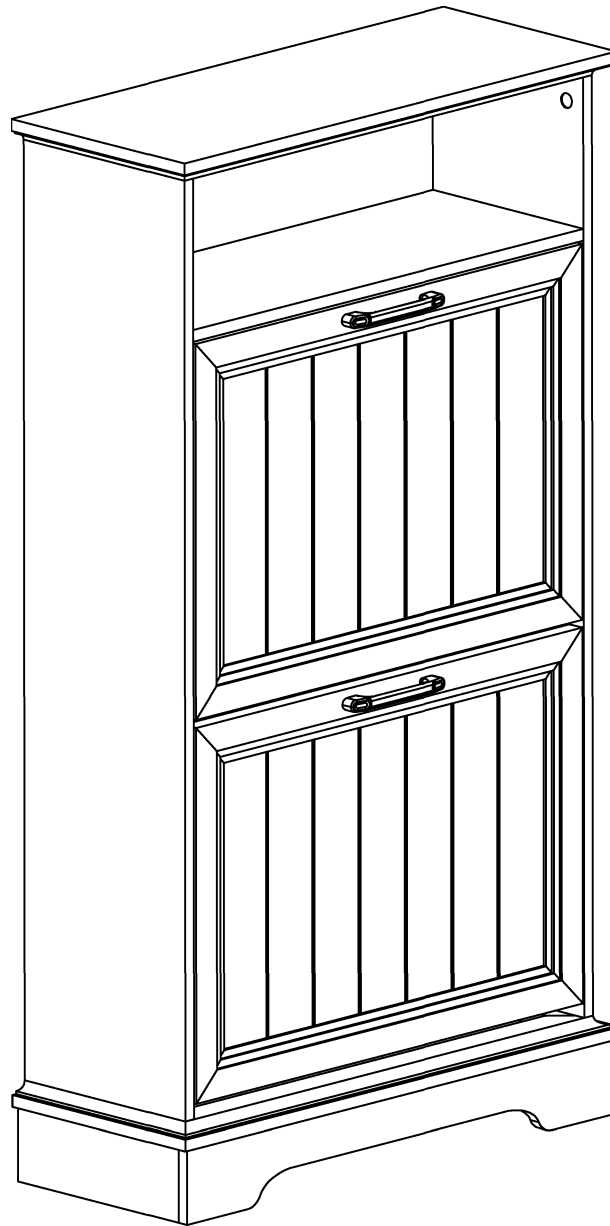


# Assembling Instruction

Generating Drawings

---



**ATTENTION**

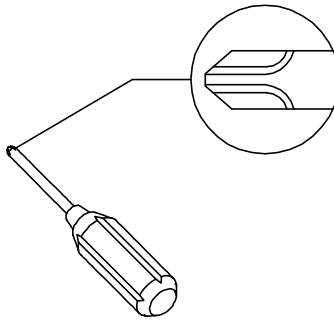
If there is any missing, please kindly send us messages to let us know the name of missing part regarding to the first page of instructions.

We will send replacement to you asap. We are concerned about each customer's experience, if there is any loss or damage, please contact us at any time, we will provide effective solutions.

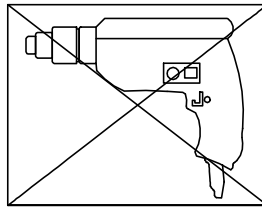
Please attach your Oder ID so that we can assist you better.

# General Assembly Guidelines

- I. Ensure that all parts and hardware are available before beginning assembly.
- II. Follow each step carefully to ensure the proper assembly of this product.
- III. Two people are recommended for ease in the assembly of this product.
- IV. The three main types of hardware used to assemble this product are : wood dowels , screws and bolts.
- VI. A Phillips head screwdriver is required for the assembly of this product .

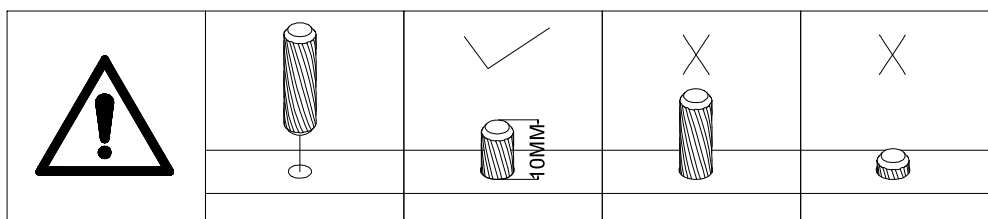
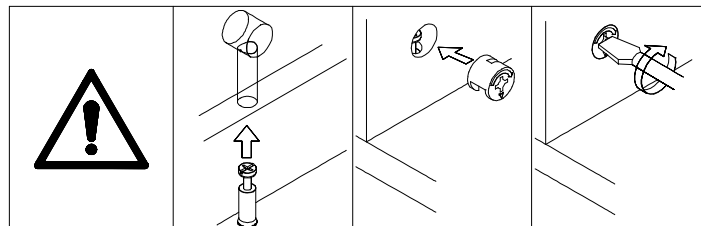
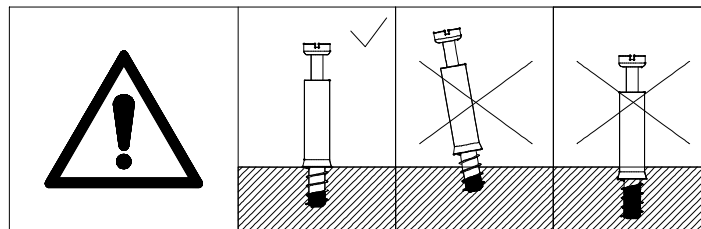


- VII. Power tools should not be used to assemble this product .



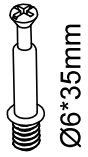
## CAM LOCK/BOLT FASTENING INTRODUCTION

(You will use it during assembly)



# Hardware Provided

A



Ø6\*35mm

X16+2

B



Ø15\*9.5mm

X16+2

C



Ø6\*30mm

X14+2

D



M6\*40mm

X 6+1

E



X 10

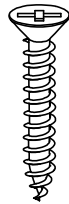
F



M6\*12mm

X 20+2

G



Ø3.5\*25mm

X 16+2

H



Ø3.5\*15mm

X 12+2

I



X2

J



M4\*20mm

X 4

K



X 4+1

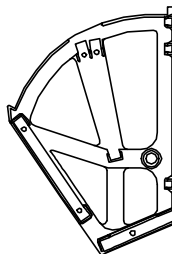
L



M4\*8mm

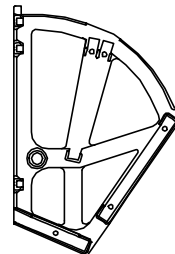
X 4+1

M



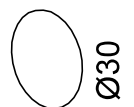
X 2

N



X 2

O

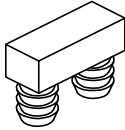


Ø30

X 4

# Hardware Provided

P



X4+1

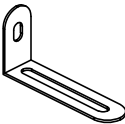
Q



Ø8\*40

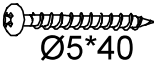
X 2

R



X 2

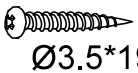
S



Ø5\*40

X 2

T



Ø3.5\*19

X 2

U



X4+1

V



Ø3\*16mm

X4+1

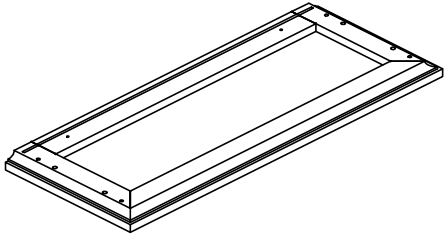
W



X1

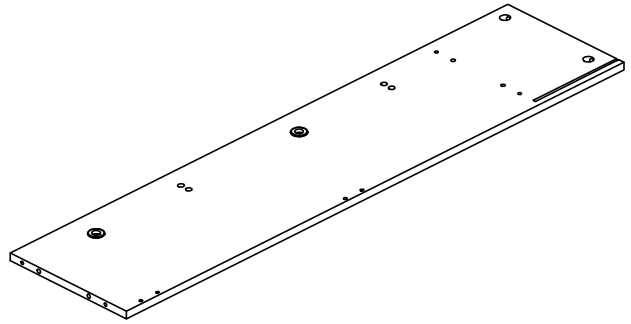
# Parts Identification

1



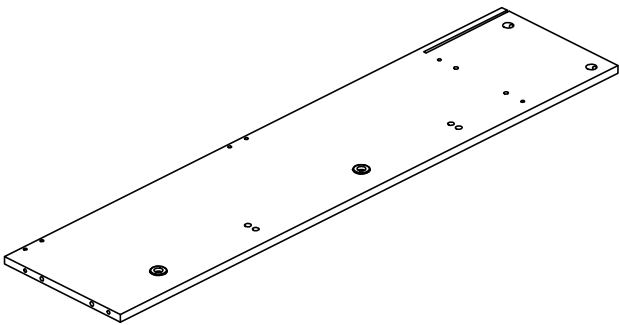
X 1

2



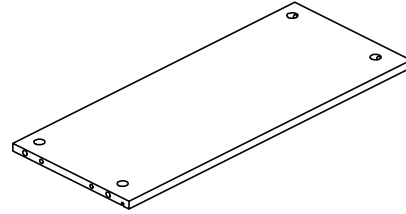
X 1

3



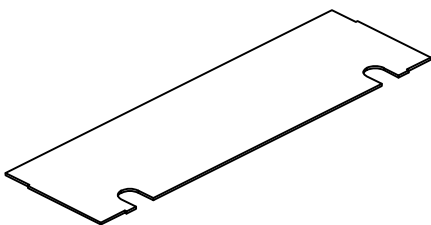
X 1

4



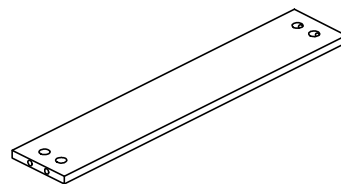
X 1

5



X 1

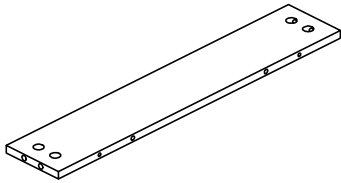
6



X 1

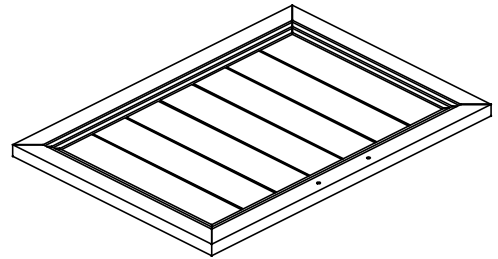
# Parts Identification

7



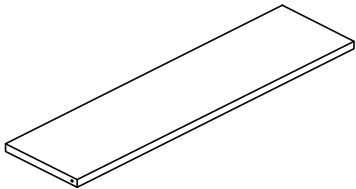
X 1

8



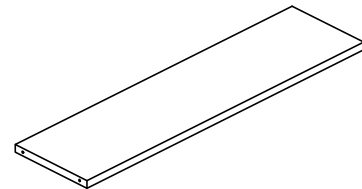
X 2

9



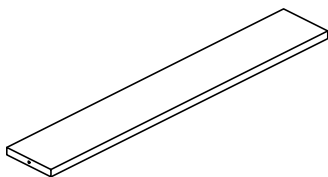
X 2

10



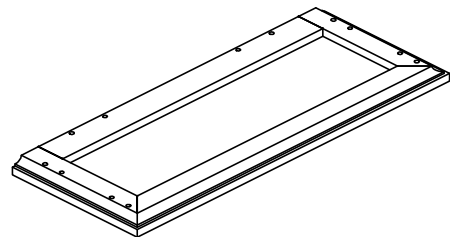
X 2

11



X 2

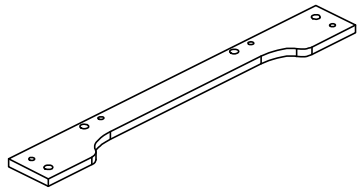
12



X 1

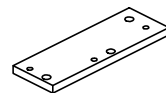
# Parts Identification

13



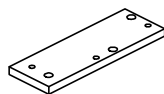
X 1

14



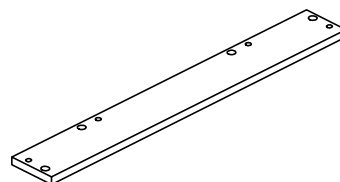
X 1

15



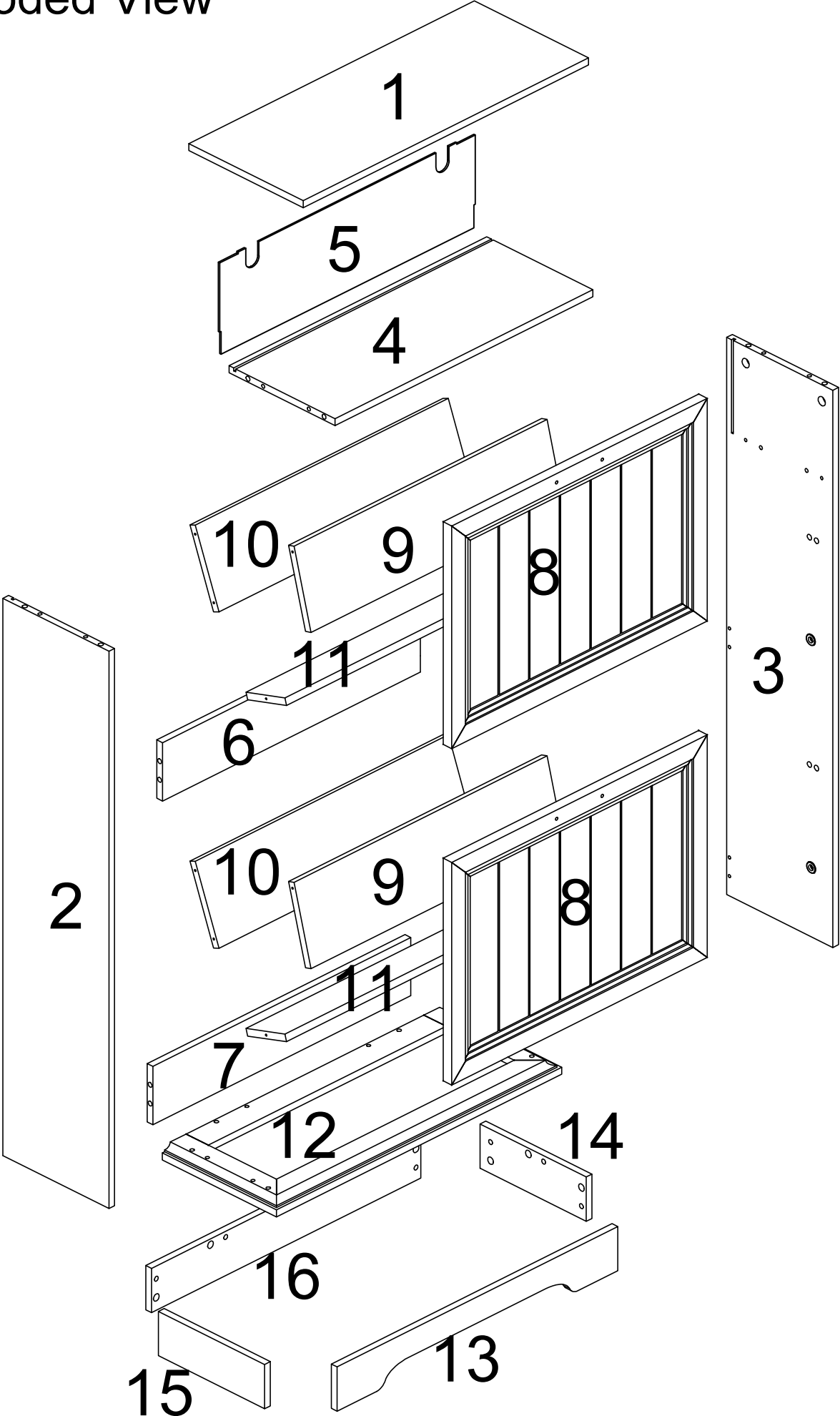
X 1

16

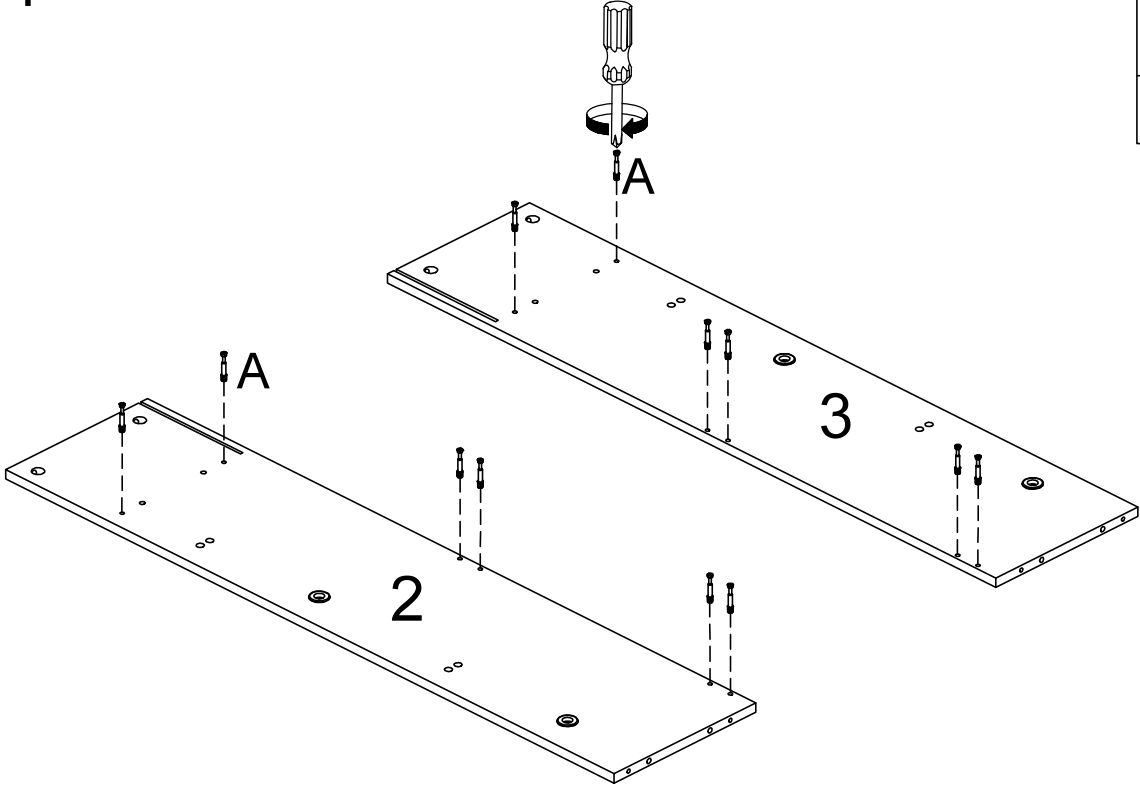


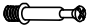
X 1

# Exploded View

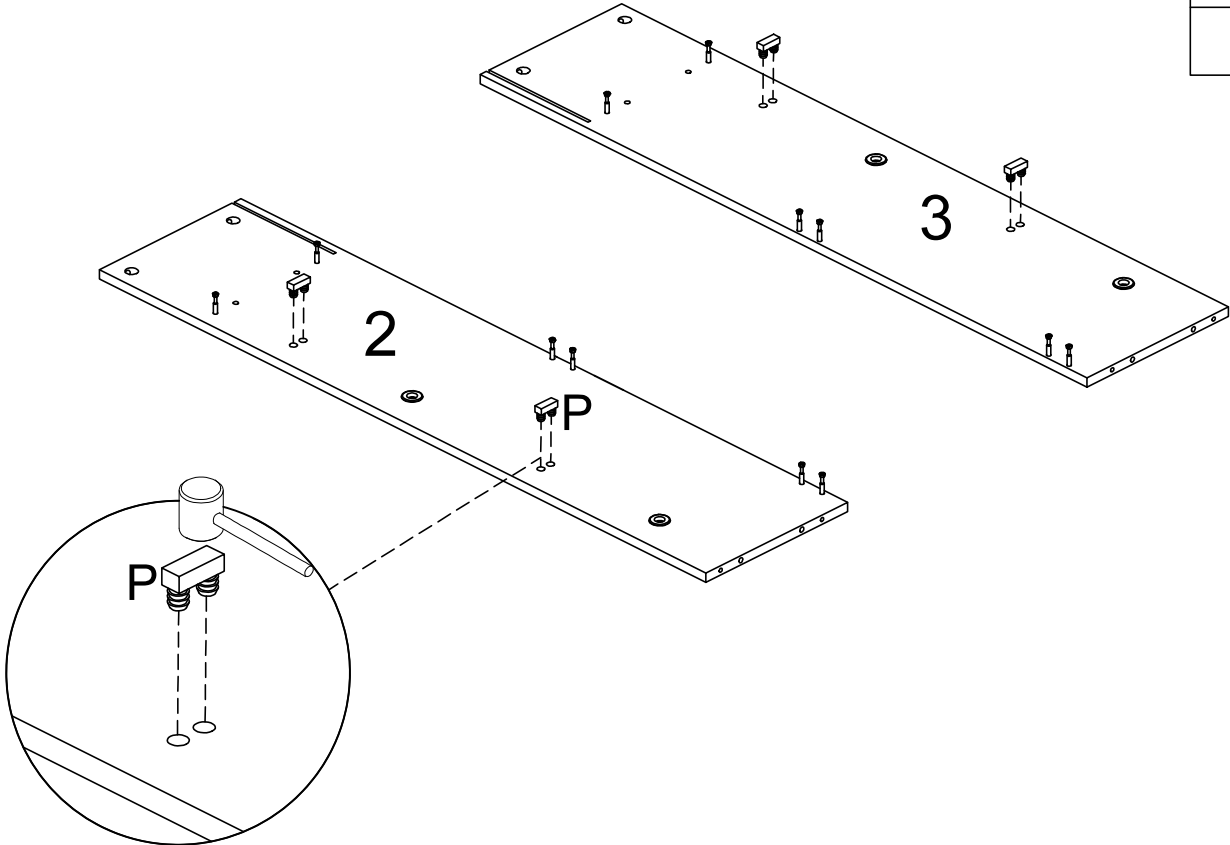



# Step 1



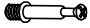
A

x12

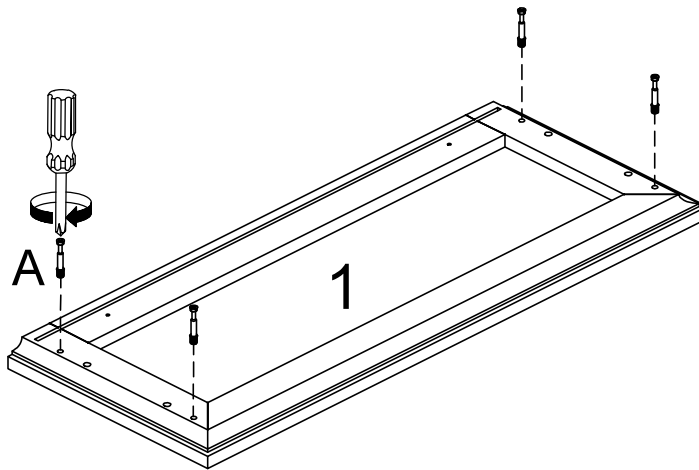
# Step 2



P

x4

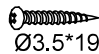

# Step 3

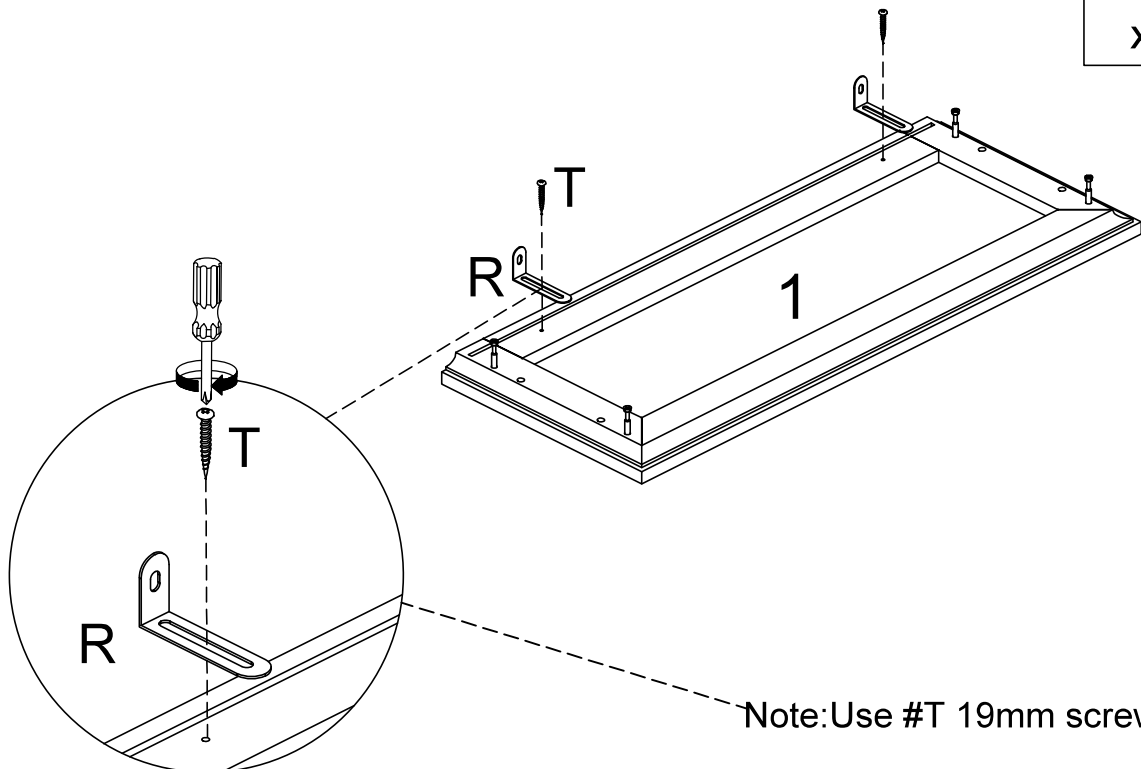
A

x4



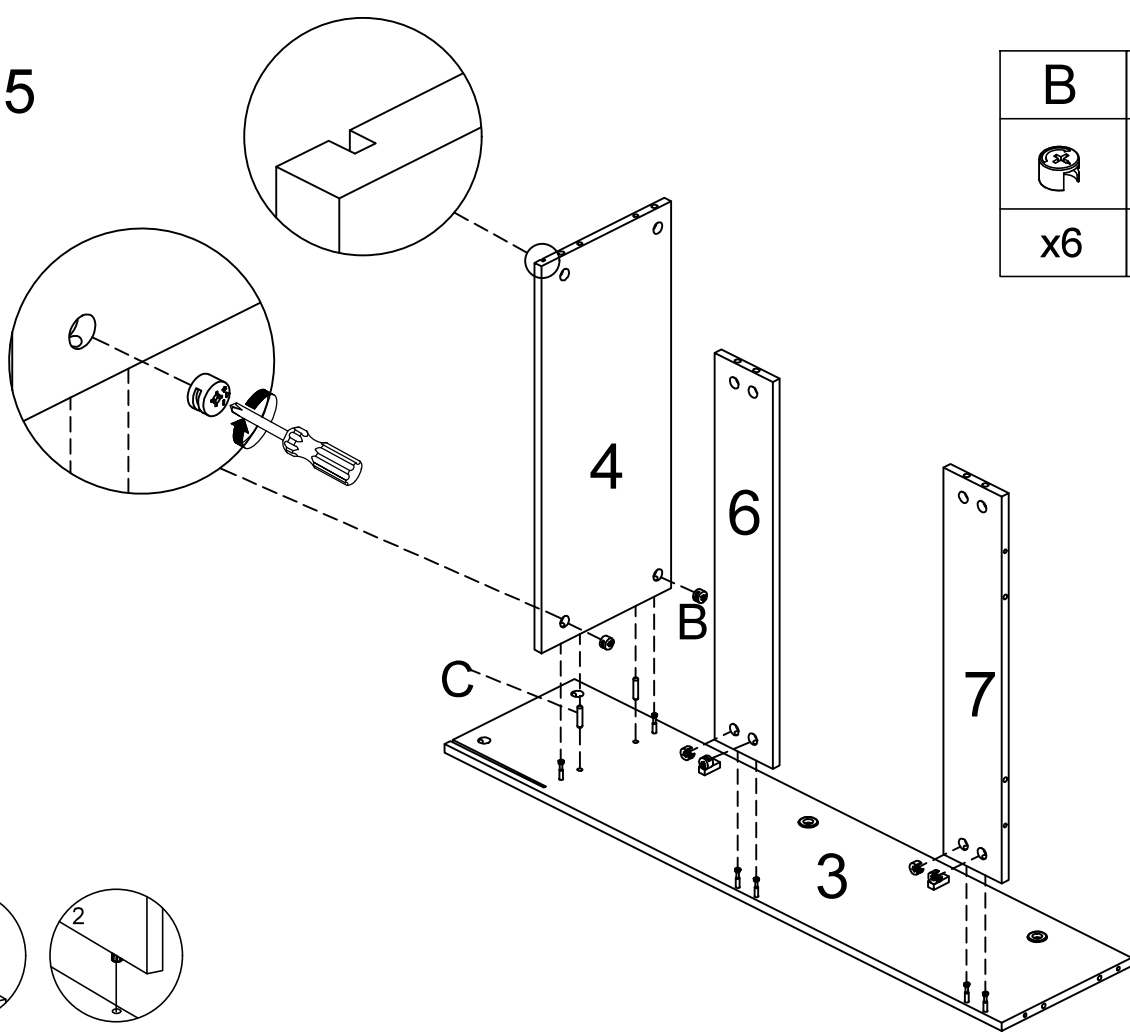
# Step 4

Note: Secure R with T to 95% tightness, you can adjust the distance when locking the wall;

T	R
 Ø3.5*19	
x2	x2

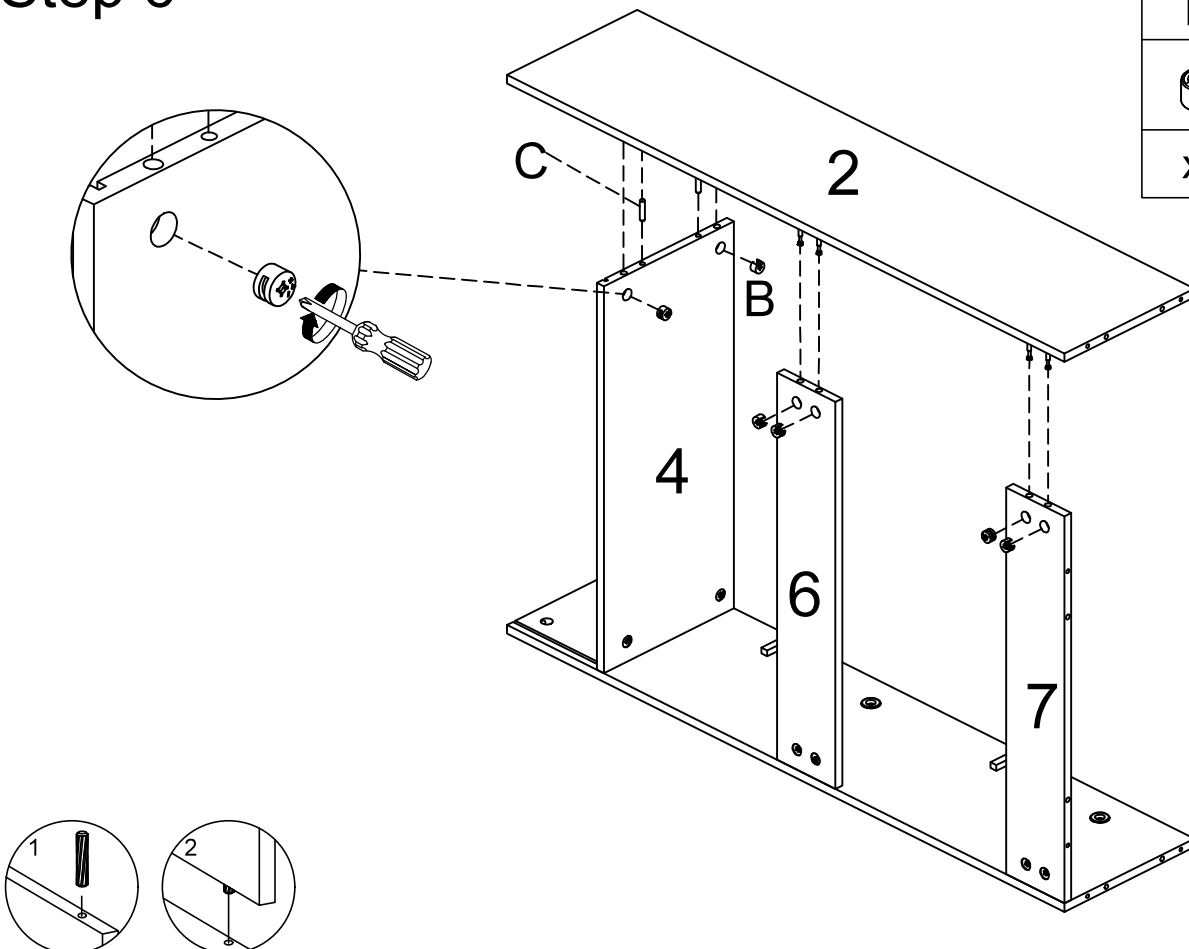


# Step 5





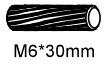
B	C
	 M6*30mm
x6	x2

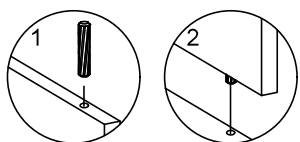
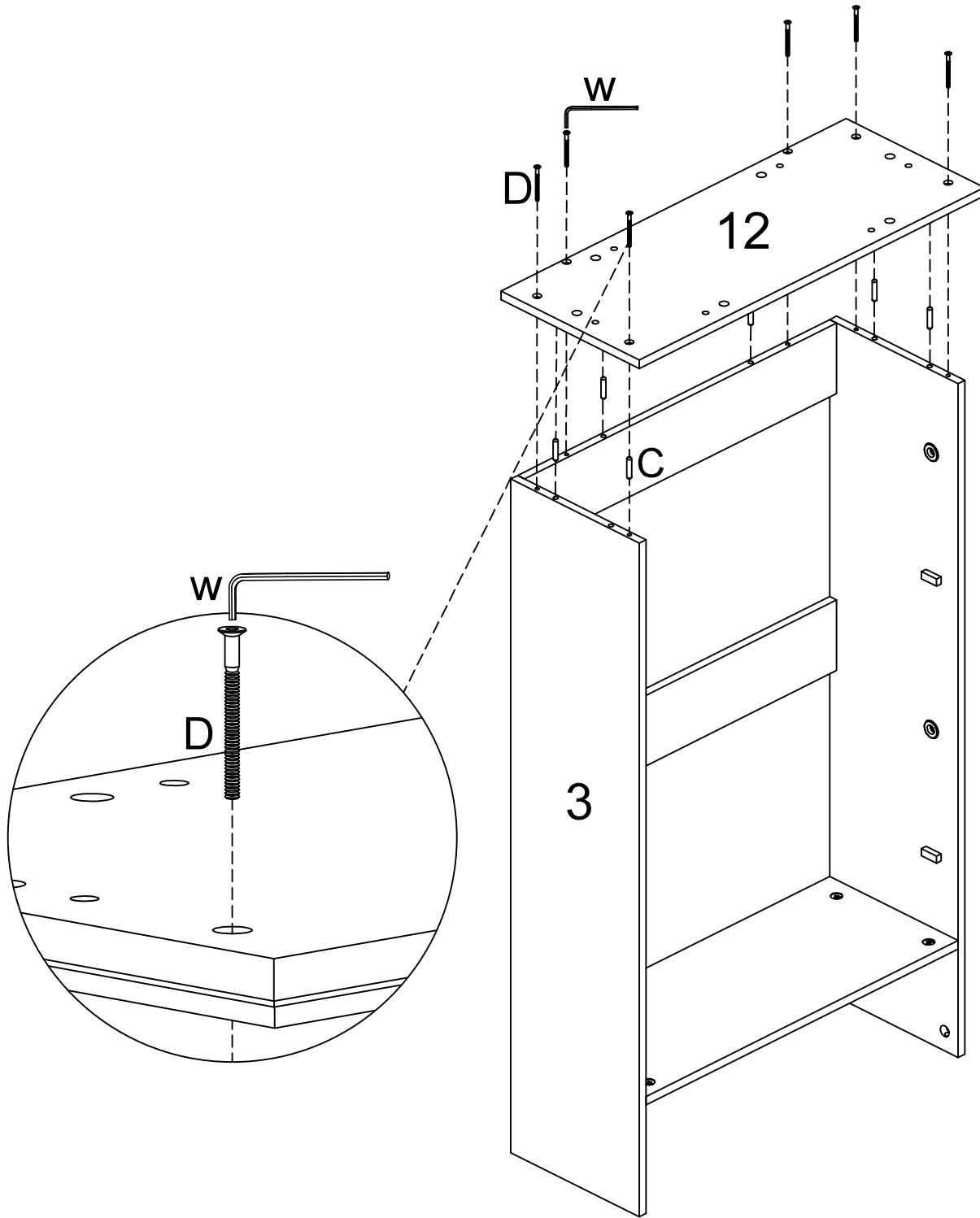
# Step 6





B	C
	 M6*30mm
x6	x2

# Step 7

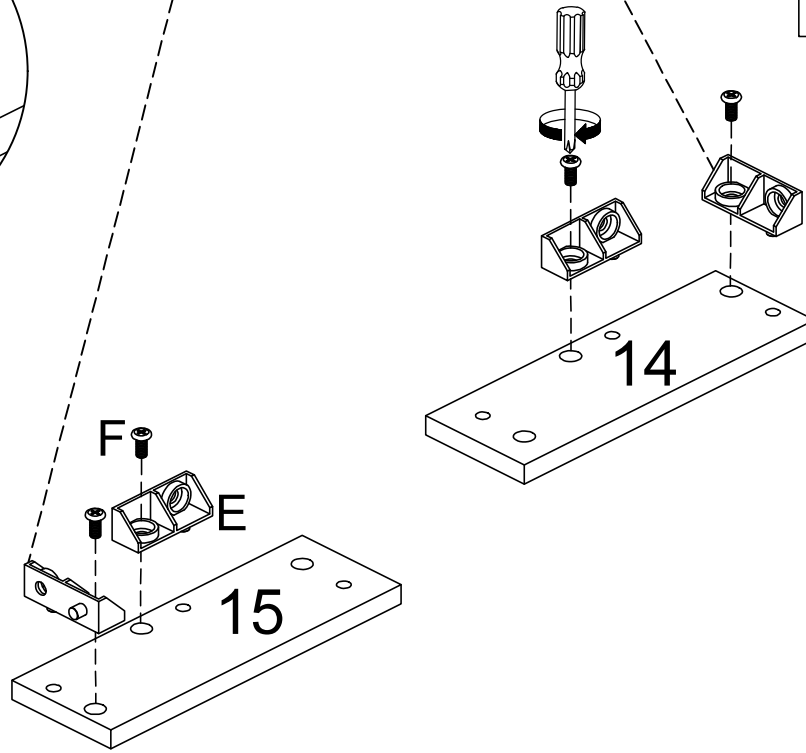
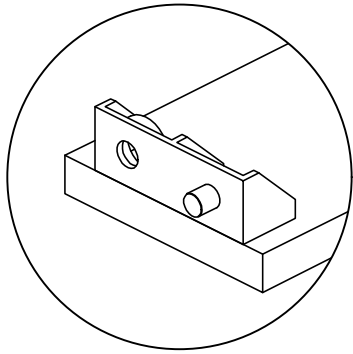
W	D	C
		 M6*30mm
x1	x6	x6





# Step 8

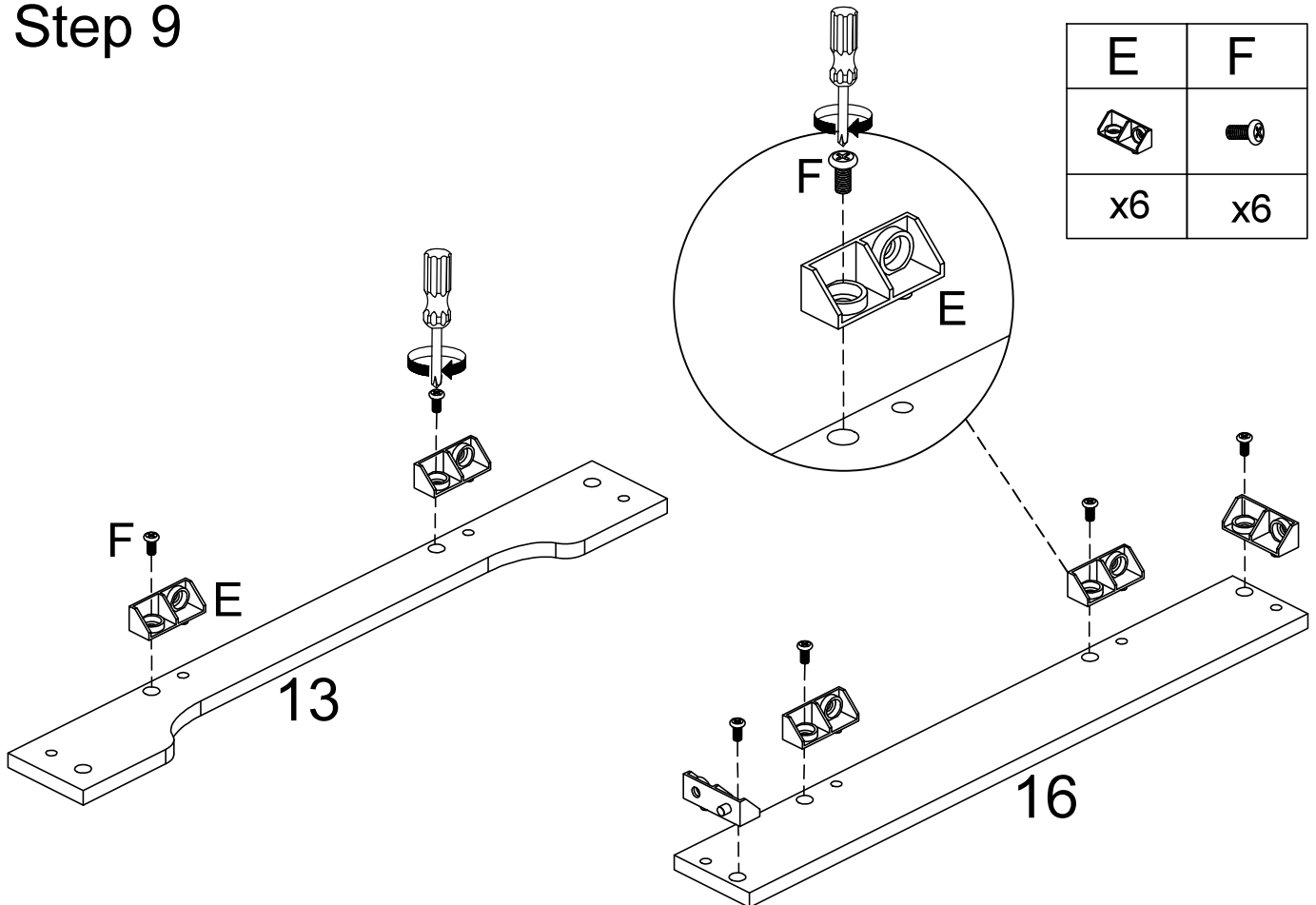
E	F
	
x4	x4

Note: Install part E on the side flush with the plank's short edge

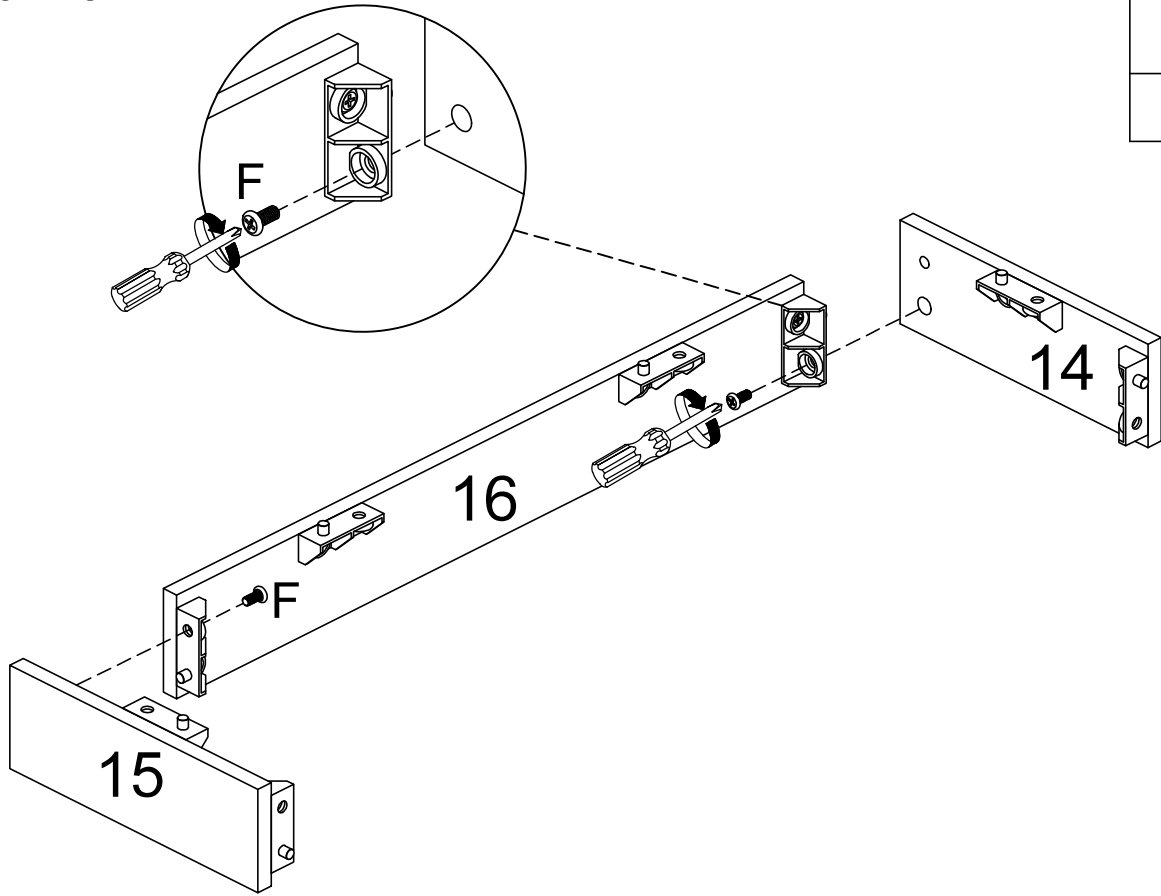


# Step 9

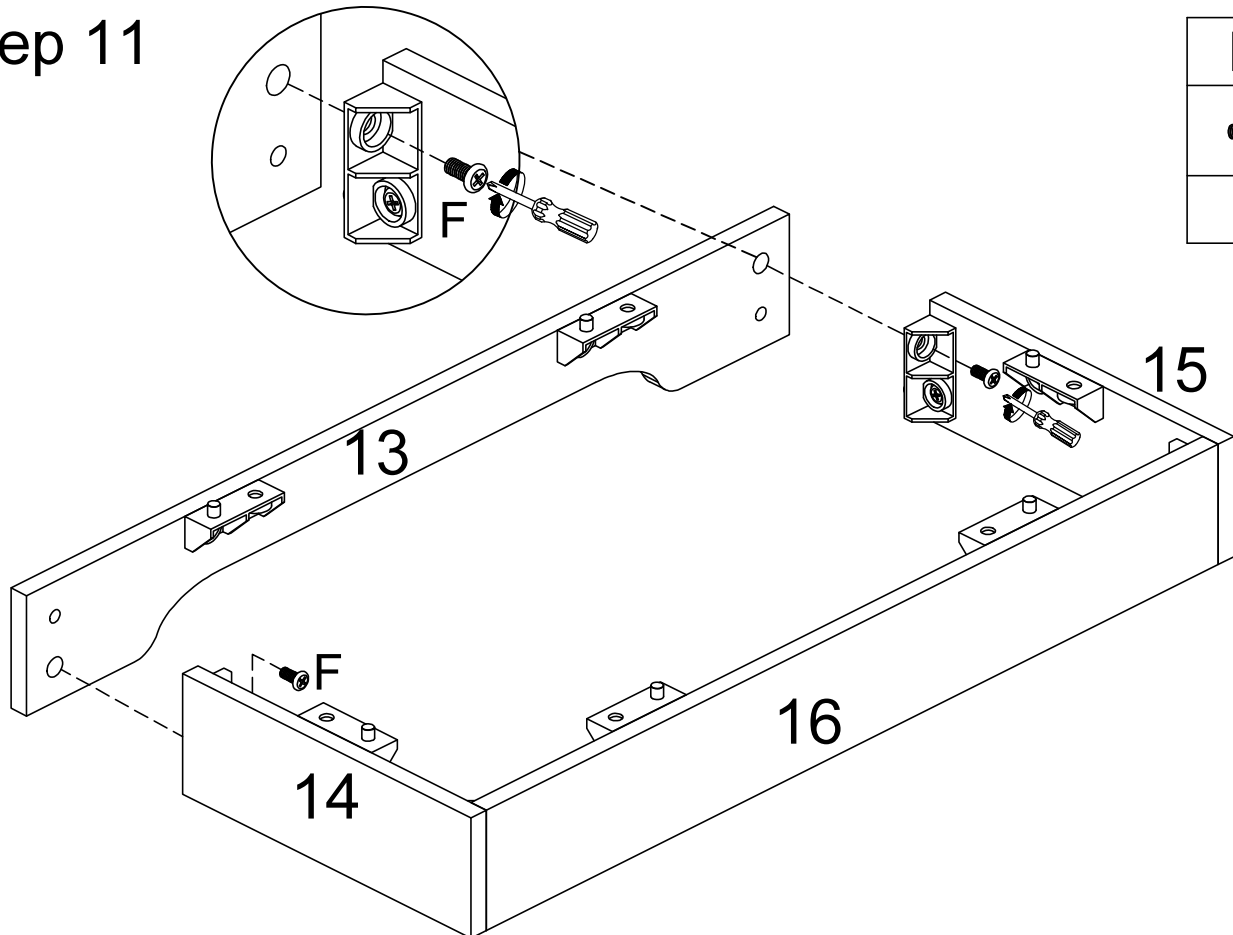
E	F
	
x6	x6



# Step 10




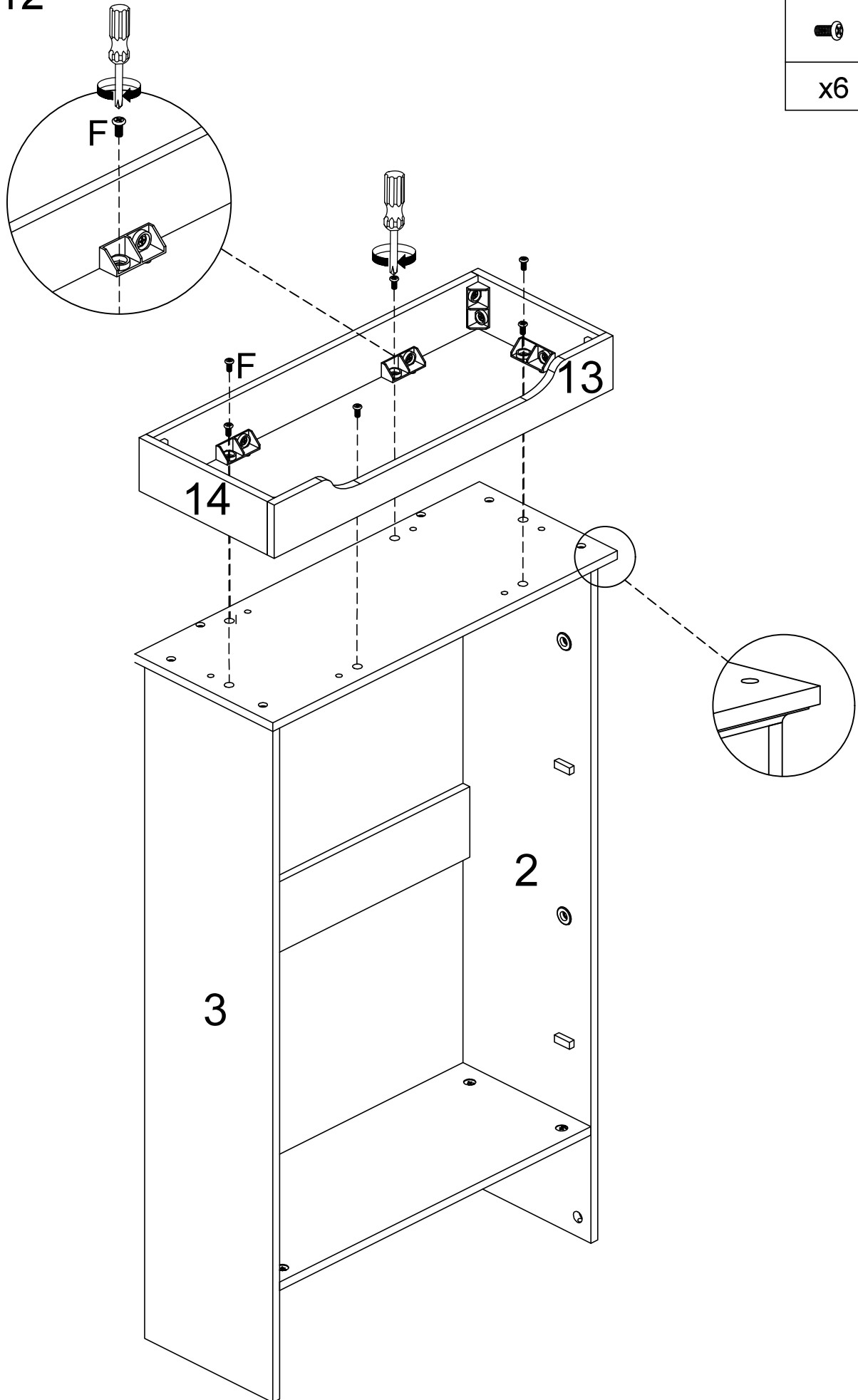
# Step 11



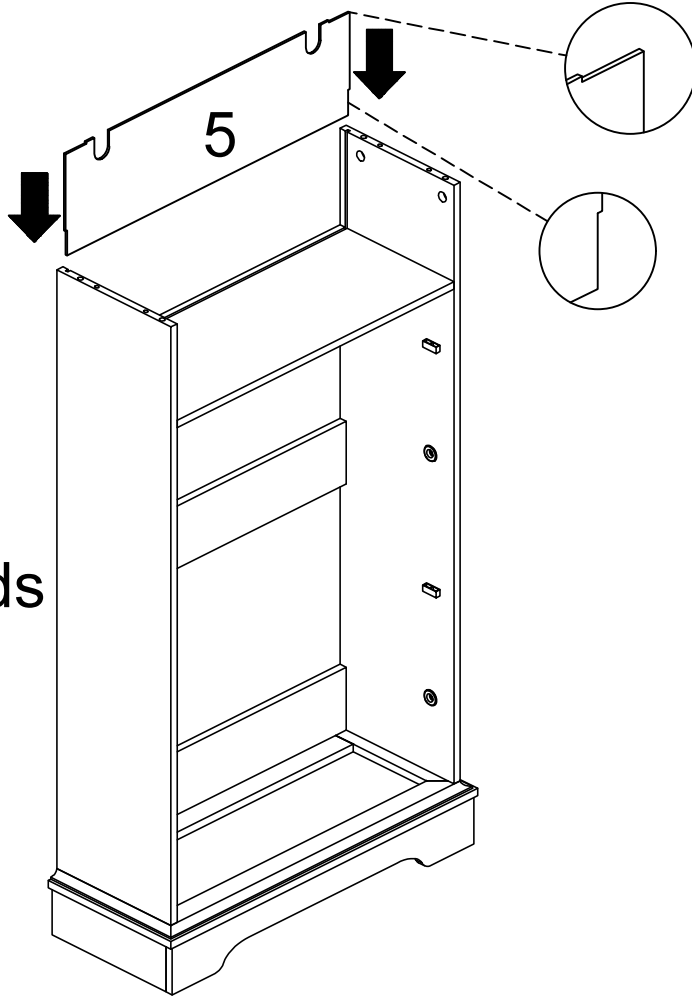
# Step 12

Note: The #13 board should be towards you;

F

x6

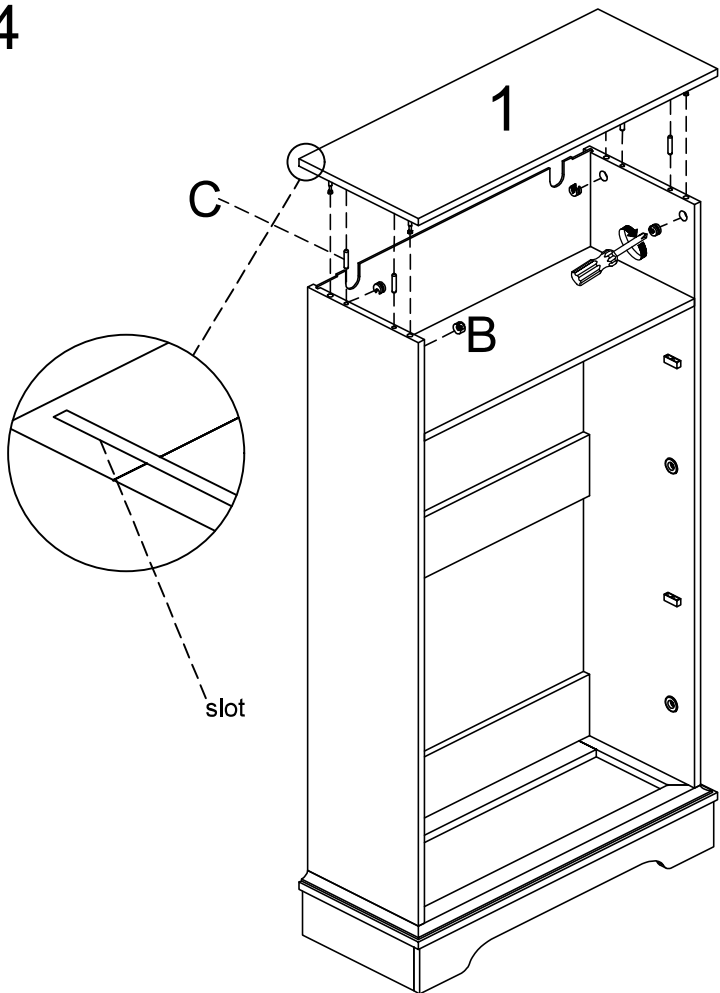




# Step 13





The U-shaped hole on the #5 board faces upwards

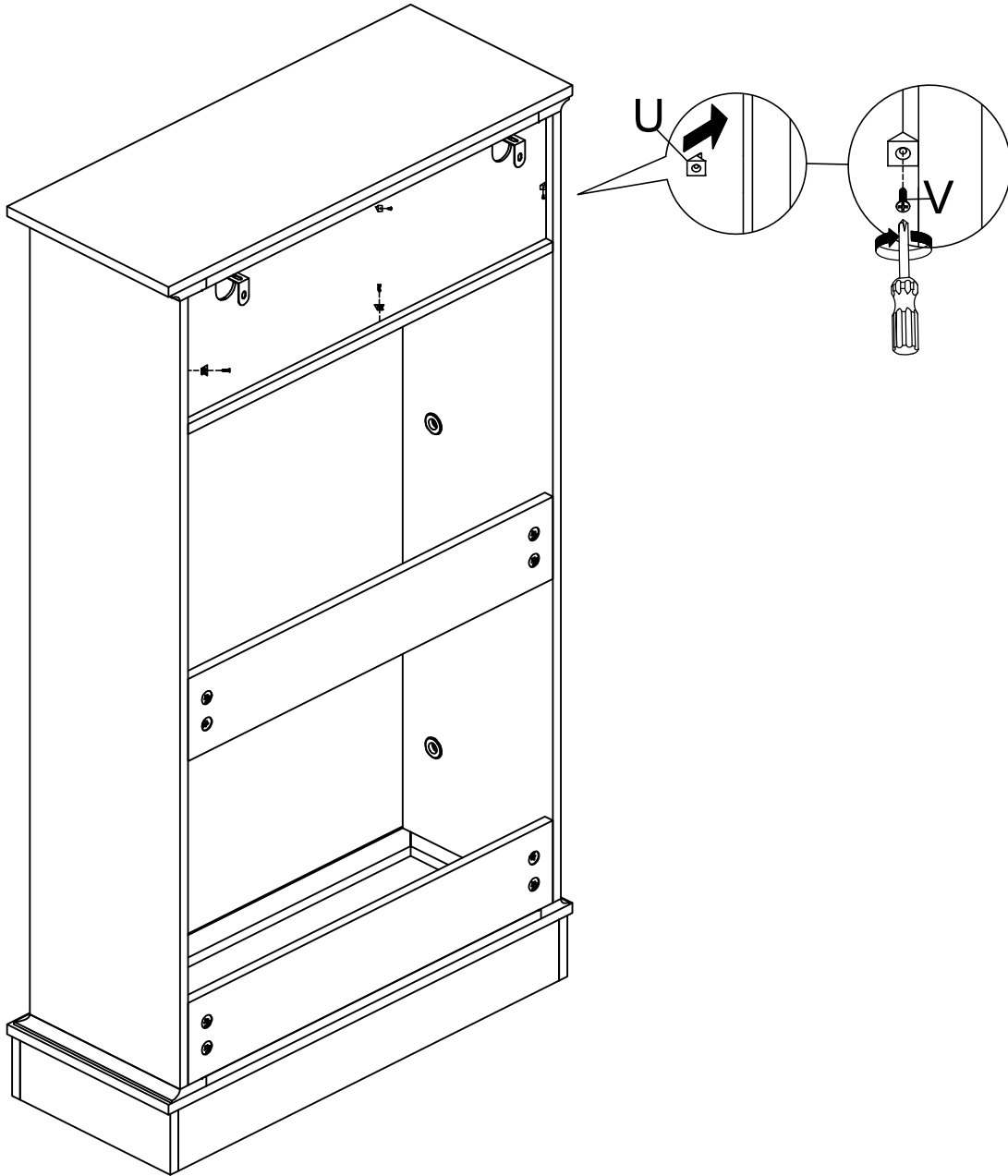
# Step 14




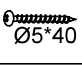
<b>B</b>	<b>C</b>
	 M6*30mm
x4	x4

# Step 15

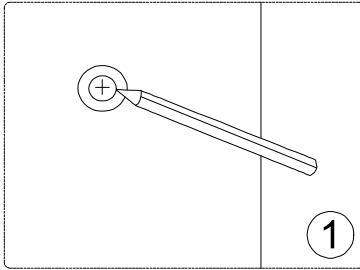
U	V
	 Ø3*16mm
x4	x4



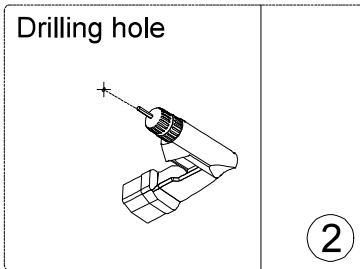
# Step 16

Q	S
 Ø8*40	 Ø5*40
x2	x2

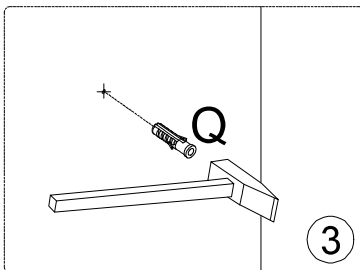
1. Mark the drill position on the wall with pencil.



2. Make 2 holes with a bit at the marked locations.

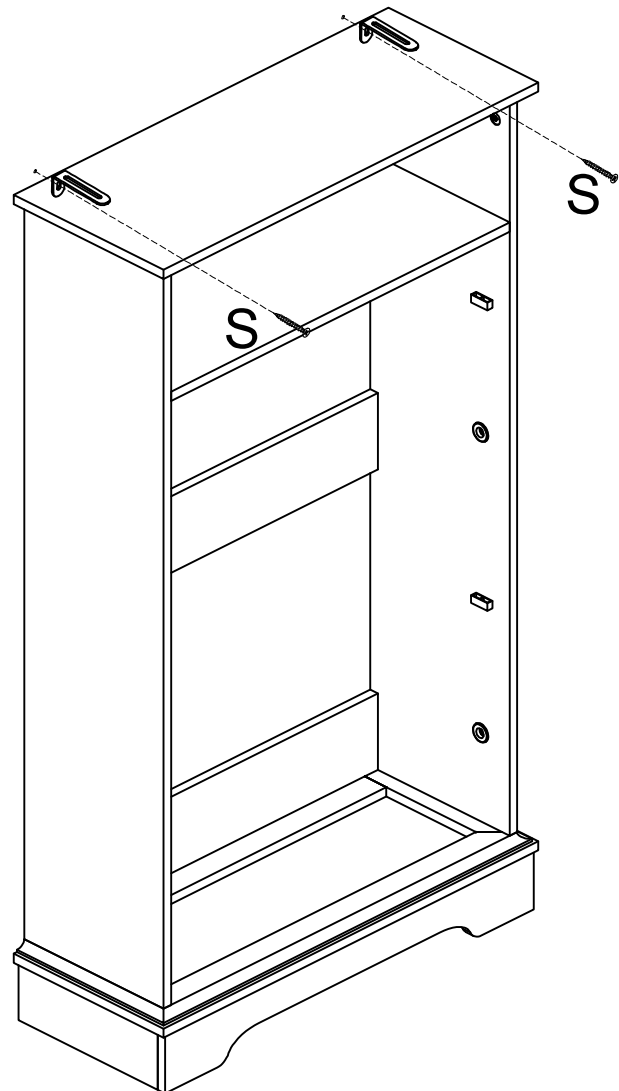
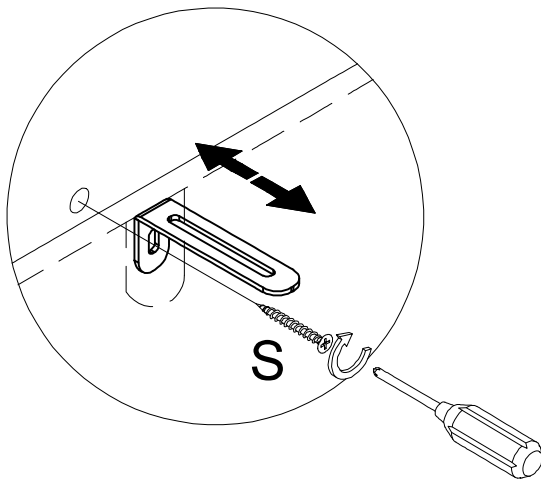


3. Tap the wall anchor(Q) into the drilled holes with a hammer.

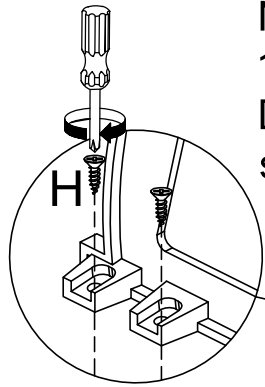


4. Fixed the cabinet to the wall with screws(S)




NOTE: According to the distance between the cabinet and the wall, adjust the #R fitting to the appropriate position, and then tighten all the screws on the #R fitting.

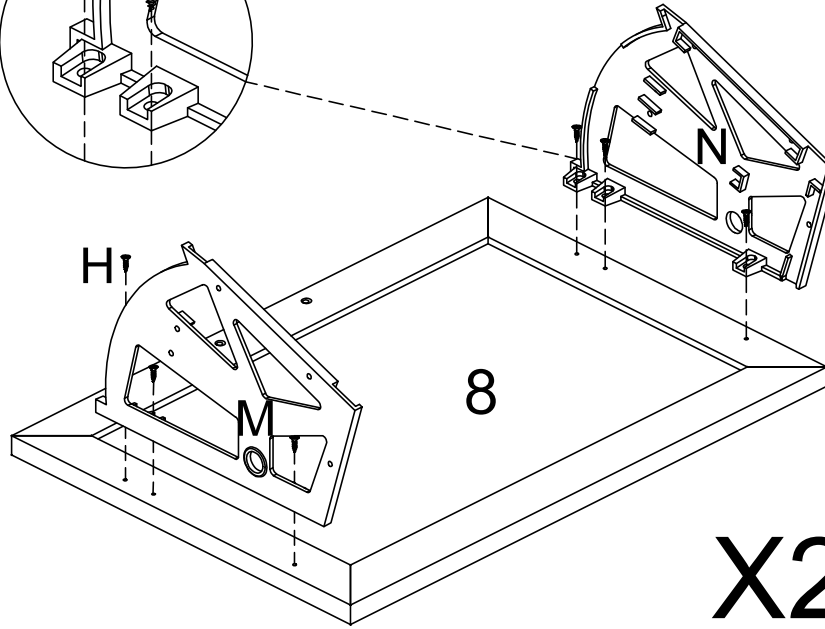


# Step 17



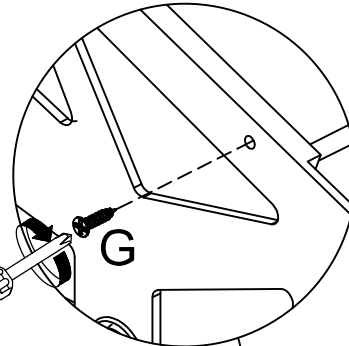
Note: Use only #H  
15mm screws.  
Do not use 25mm #G  
screws

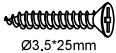
H	M
 Ø3.5*15mm	
x12	x2
	N
	
	x2



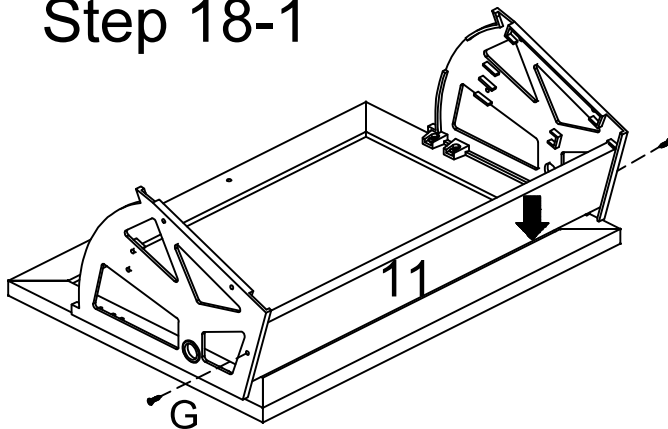
**X2**

# Step 18



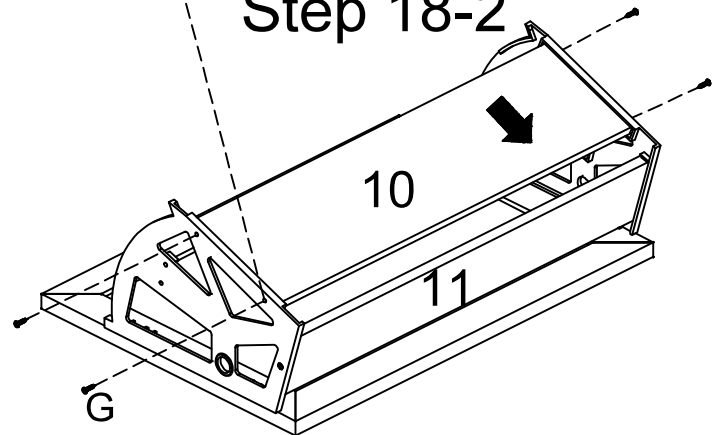
G
 Ø3.5*25mm
x12

## Step 18-1



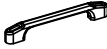

**X2**

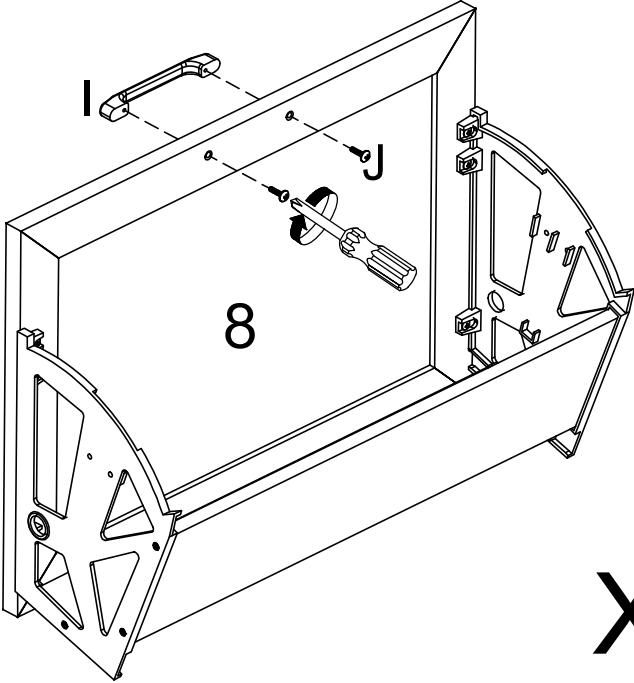
## Step 18-2



**X2**

# Step 19



I	J
	 M4*20mm
x2	x4

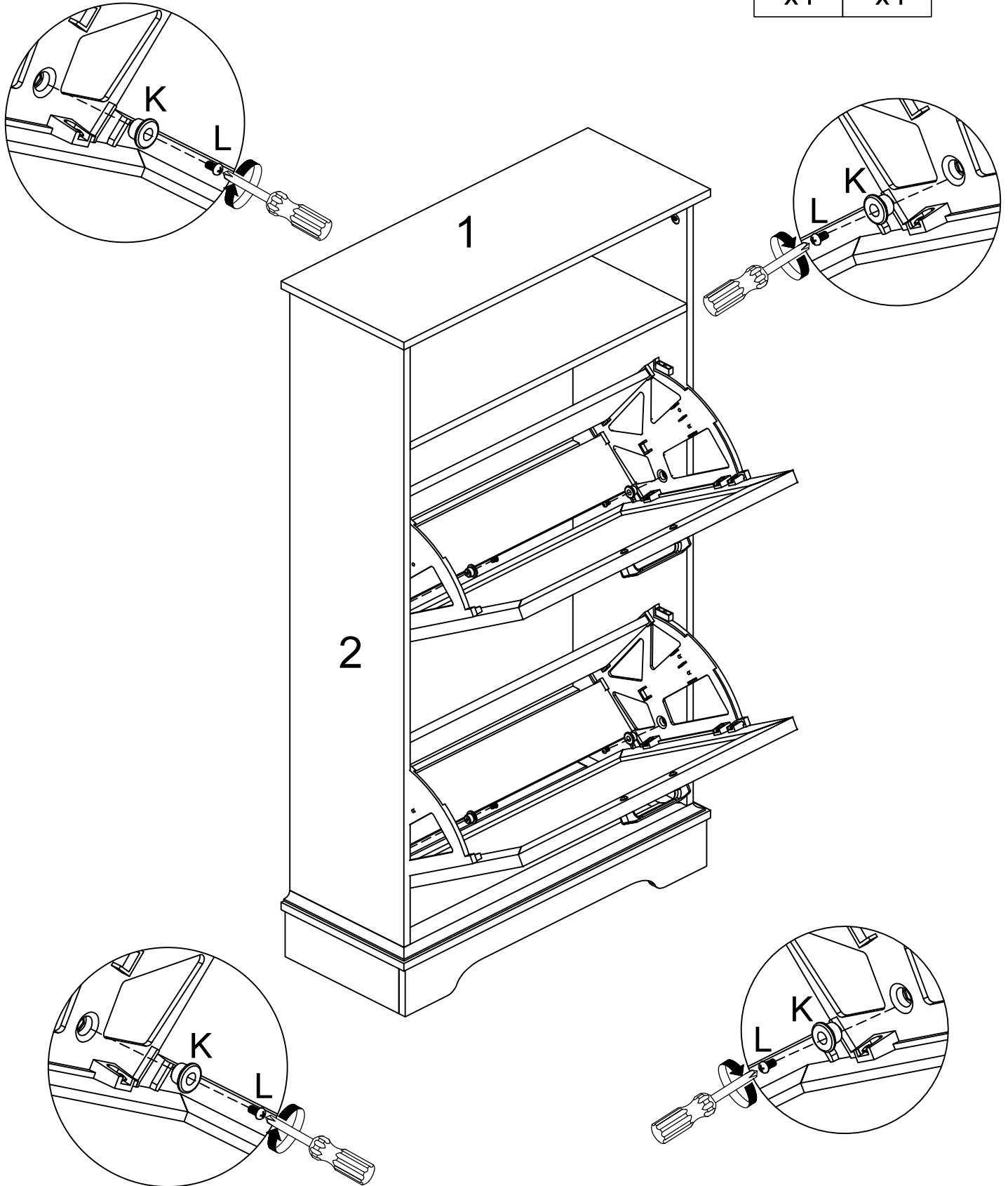


**X2**

# Step 20

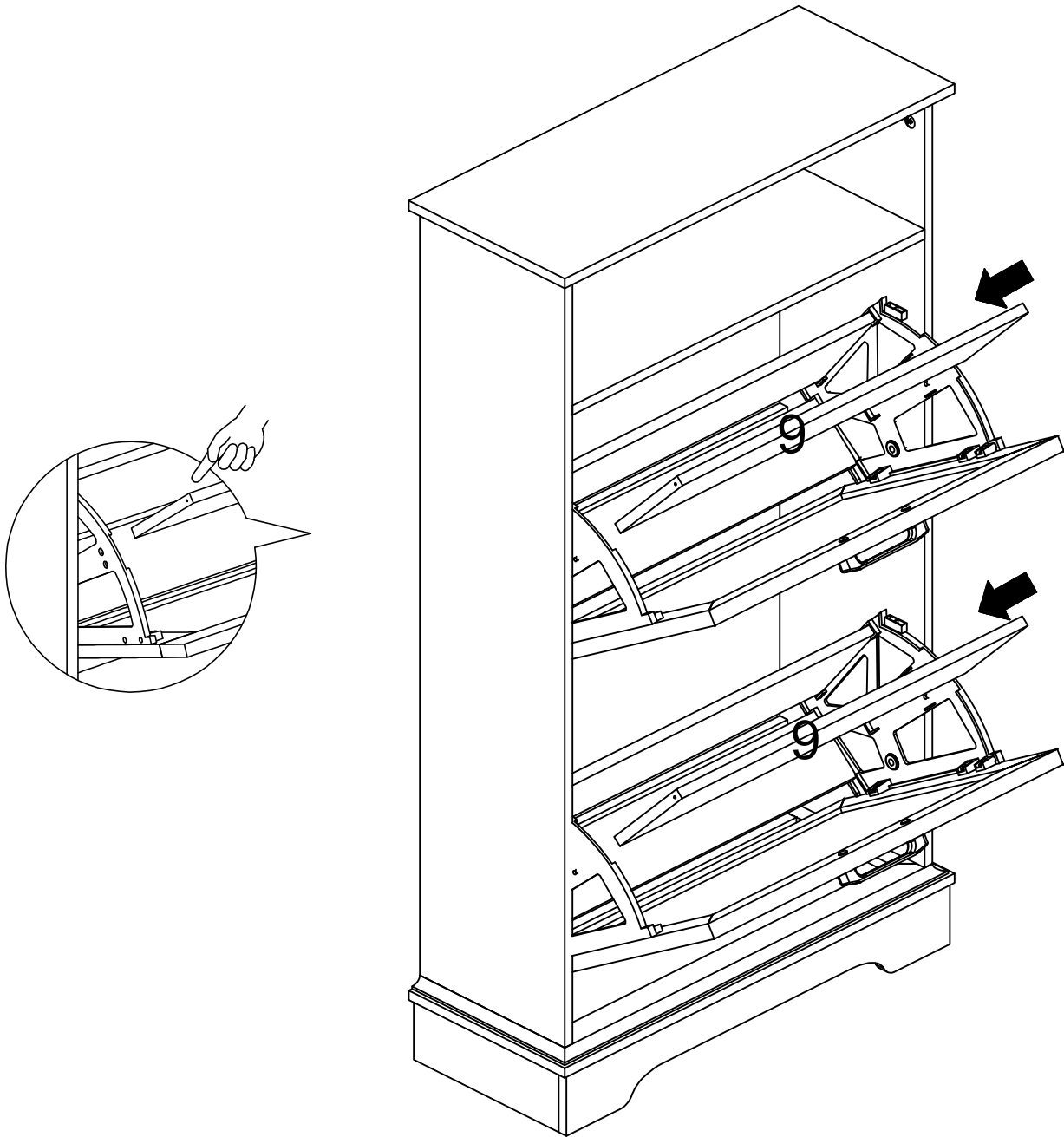
NOTE: The door requires 2 people to assemble.

K	L
	 M4*8mm
x4	x4

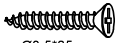


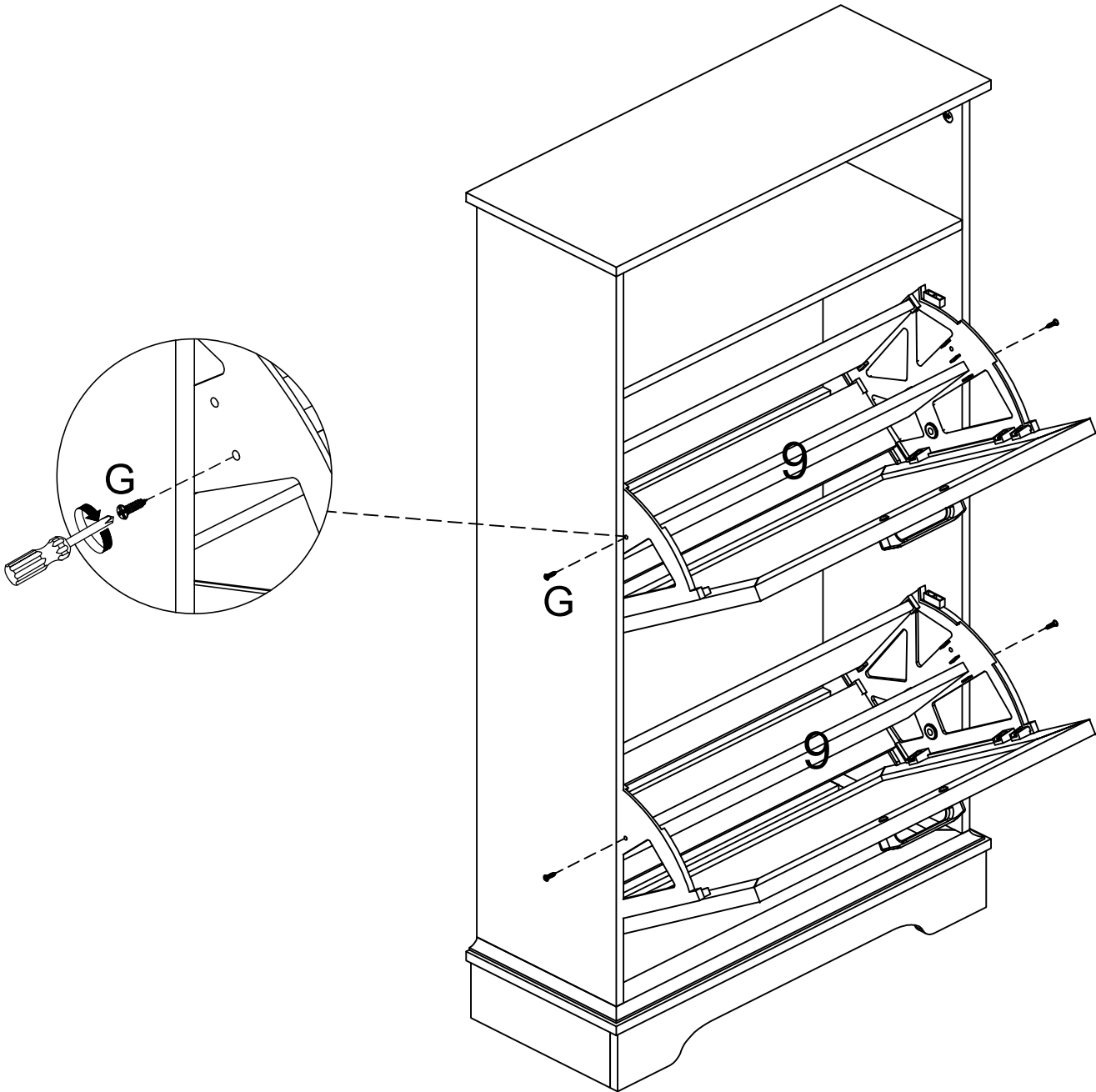
# Step 21

Note: Adjustable the #9 shelf for various size of shoes



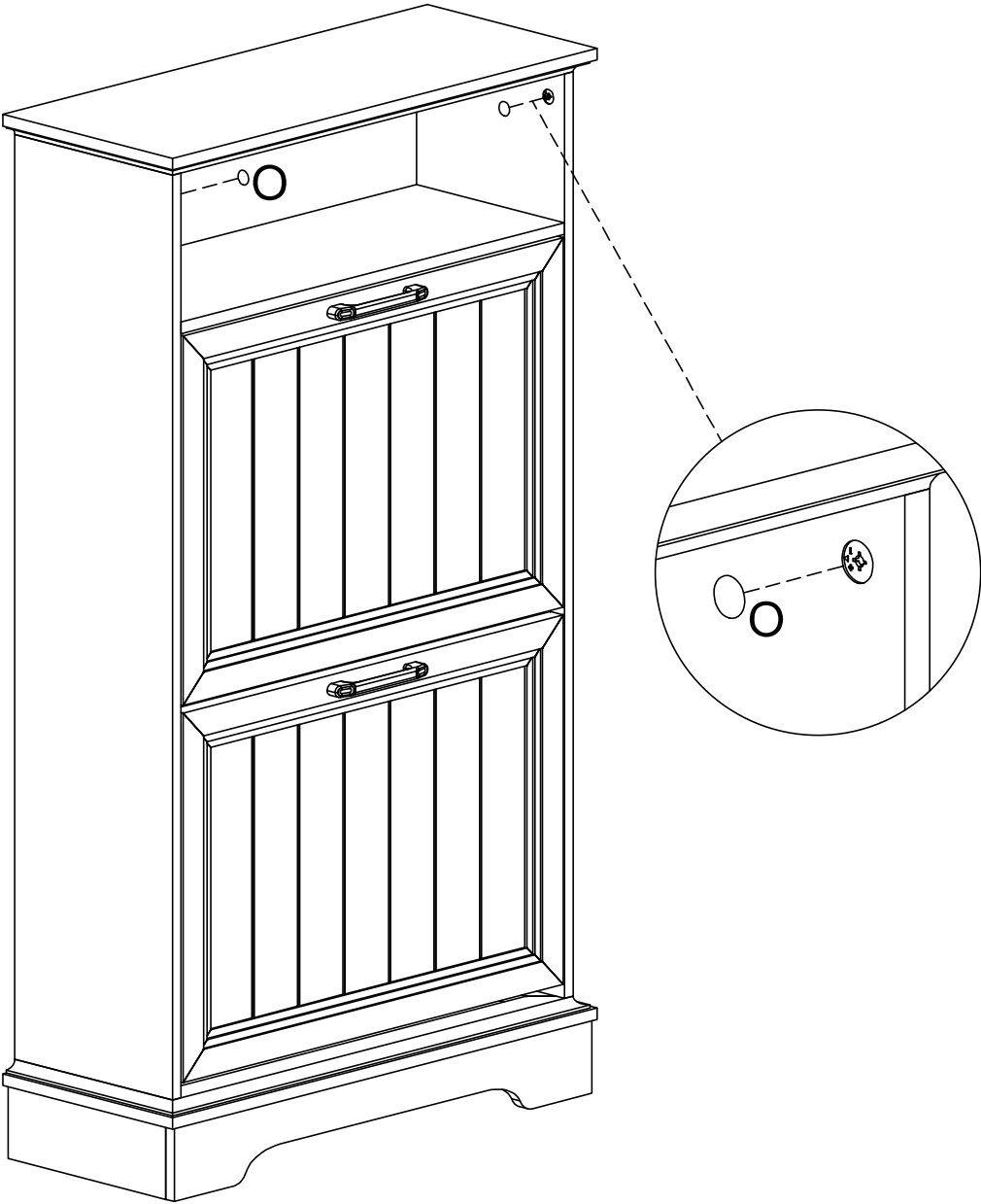
# Step 22

G
 Ø3.5*25mm
x4

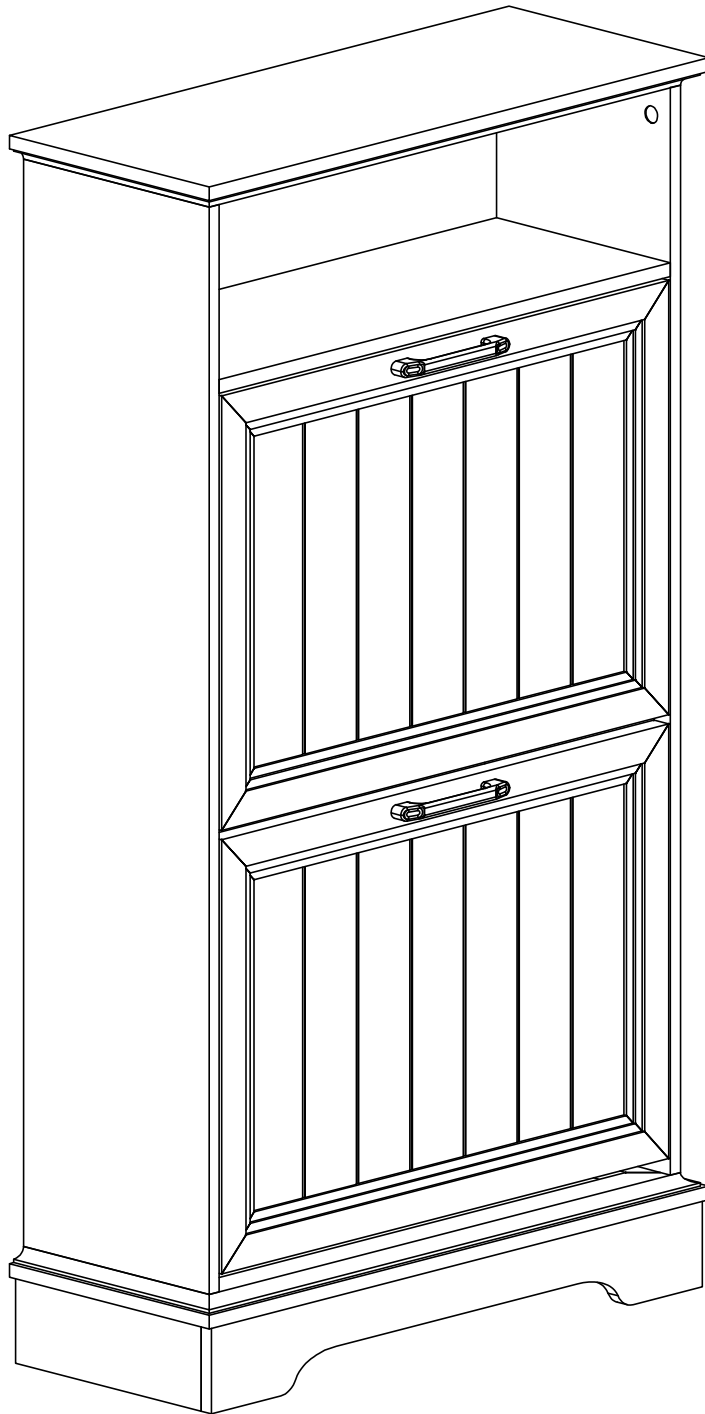


# Step 23

O
○
x4



# Step 24





## WARNING



Children have died from furniture tipover. To reduce the risk of furniture tipover:

- **ALWAYS install Anti-tip device provided.**
- **NEVER put a TV on this product.**
- **NEVER allow children to stand, climb or hang on drawers, doors, or shelves.**
- **NEVER open more than one drawer at a time.**
- **Place heaviest items in the lowest drawers.**

