

ASSEMBLY INSTRUCTIONS


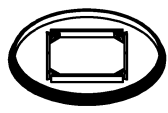




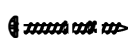

DESCRIPTION: ROUND DINING TABLE

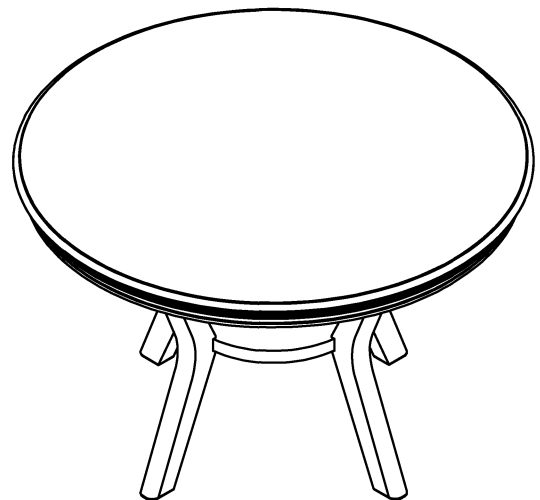
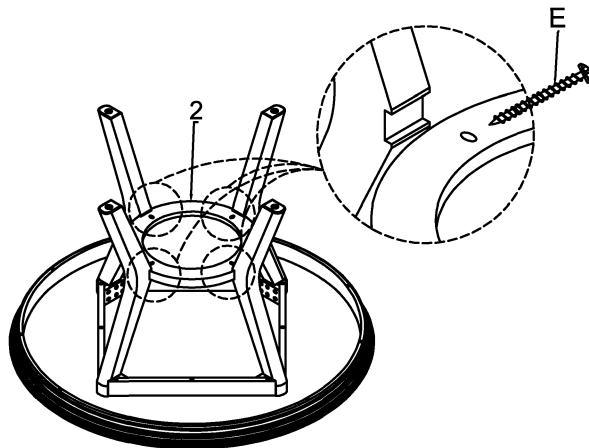
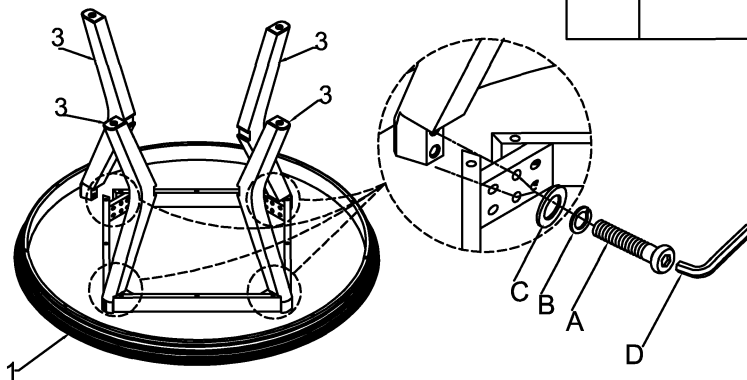
Read instruction carefully prior to assembly .

Thank you for purchasing this quality product. Check carefully for small parts which may have come loose during shipment.

Remove all components from pack and place table top upside down on soft surface such as carpet or cloth to prevent scratching the finish. Identify and count all parts as specified below.

Do not tighten bolts until assembly is complete

NO.	HARDWARE PACK		Q'TY	NO.	PARTS LIST		Q'TY
A		ALLEN BOLT (Ø5/16"*70mmL)	8PCS	1		TABLE TOP	1PC
B		LOCK WASHER (Ø5/16")	8PCS				
C		FLAT WASHER (Ø5/16")	8PCS	2		SHELF BOARD	1PC
D		ALLEN KEY (4MM)	1PC				
E		SCREW Ø8*Ø4*45MM	4PCS	3		LEG	4PCS



Assembly Completed

Cleaning instructions: Clean using soft cloth