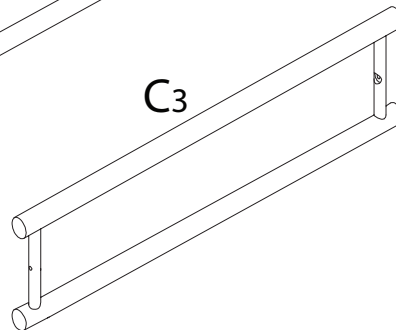
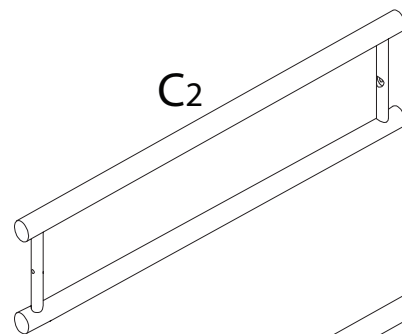
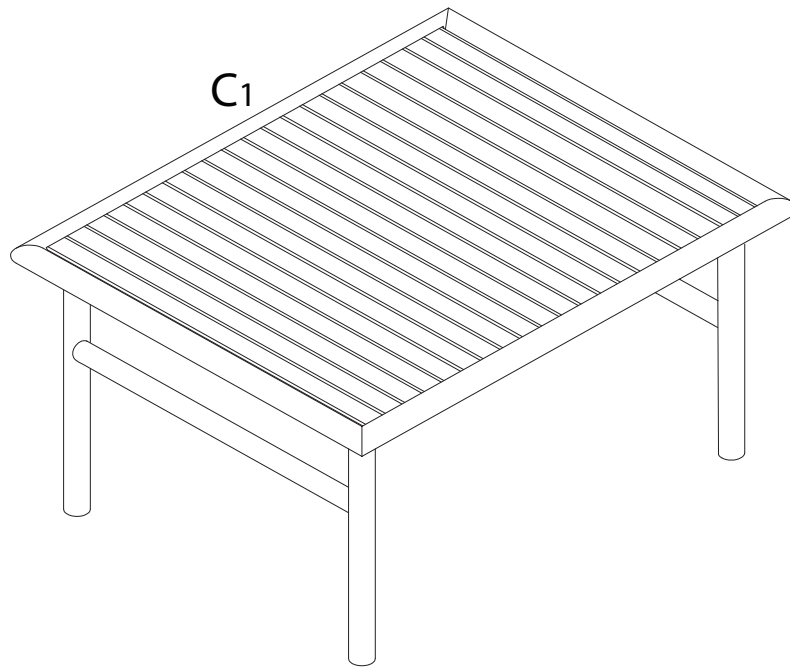
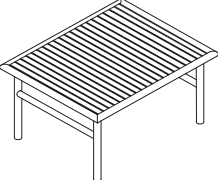
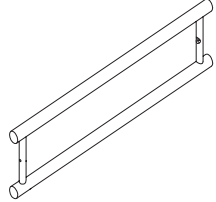
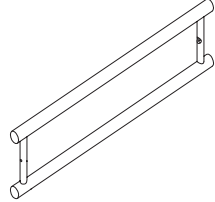
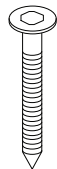
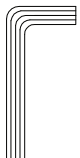


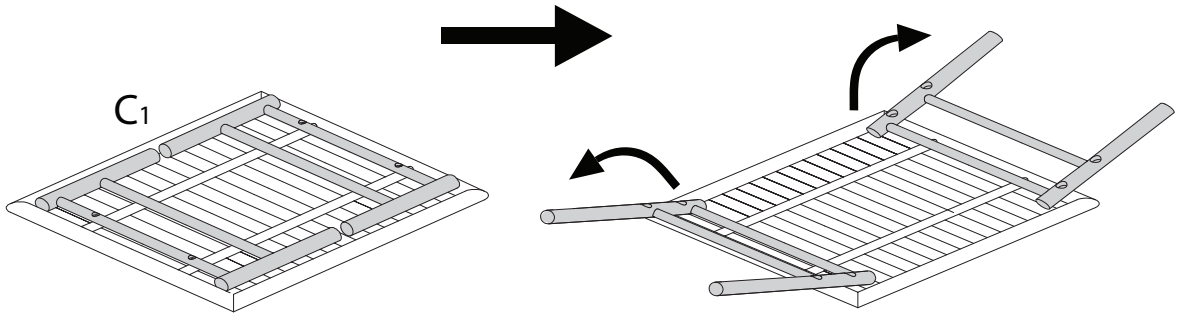
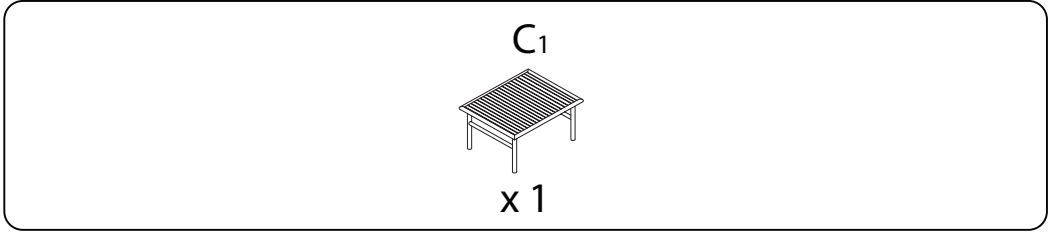
Diagram illustrating assembly steps and safety warnings:

- Step 1:** Shows an L-shaped metal bracket and a power drill with a slash through it, indicating that a power drill should not be used. A warning triangle with an exclamation mark is present.
- Step 2:** Shows a rectangular block being placed on a surface and another block being attached to it with a screw. A warning triangle with an exclamation mark is present.
- Time:** A clock icon indicates a duration of 15' (15 minutes).
- Personnel:** An icon of a person indicates that 2 people are required for assembly.

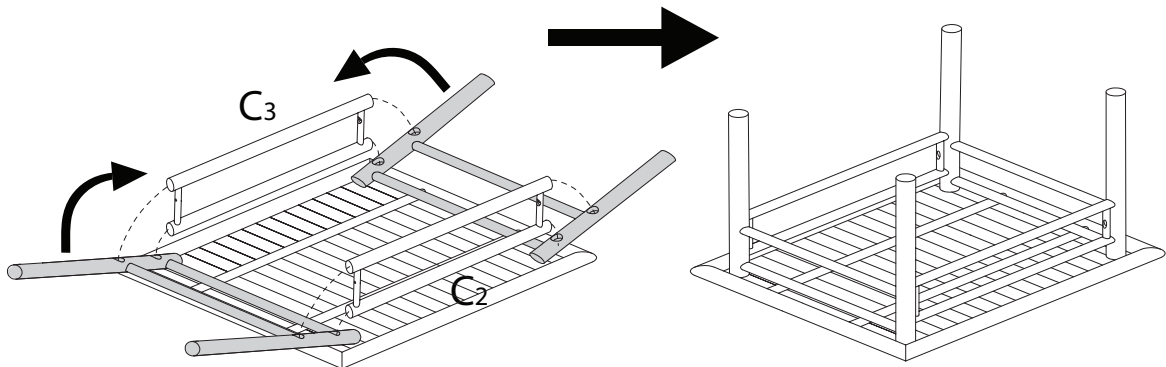
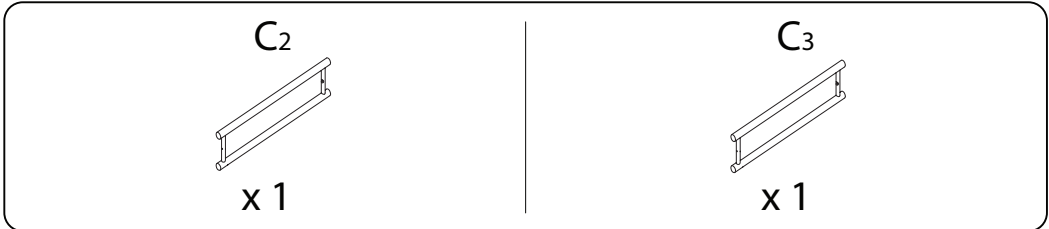


<p>C1</p>  <p>x 1</p>	<p>C2</p>  <p>x 1</p>	<p>C3</p>  <p>x 1</p>	<p>1</p>  <p>M6 x 40</p> <p>x 4</p>	<p>2</p>  <p>x 1</p>
--	--	--	--	---

1



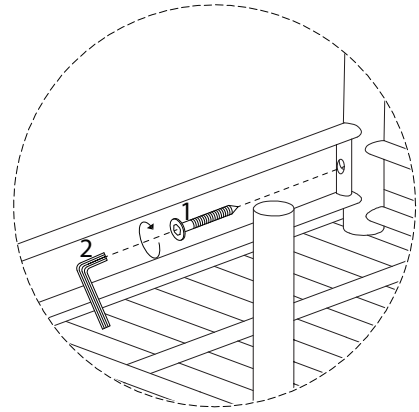
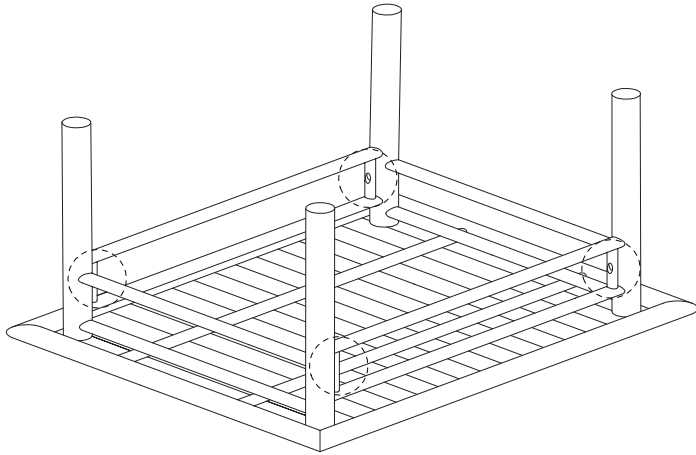
2



3

1
M6
x
40
x 4

2
x 1



!

