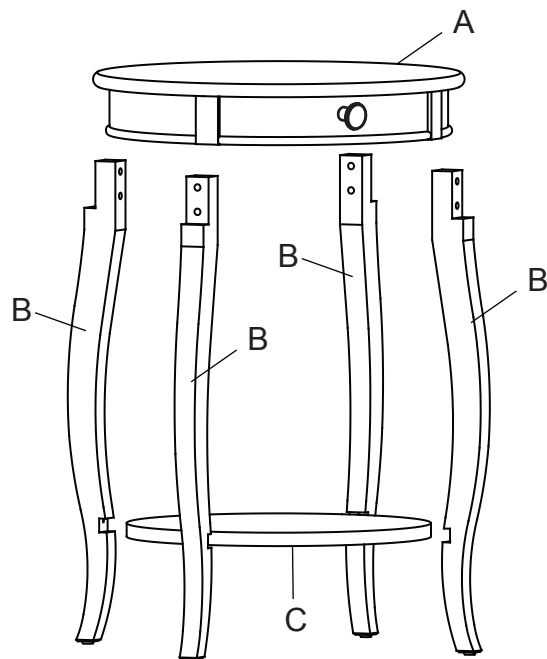
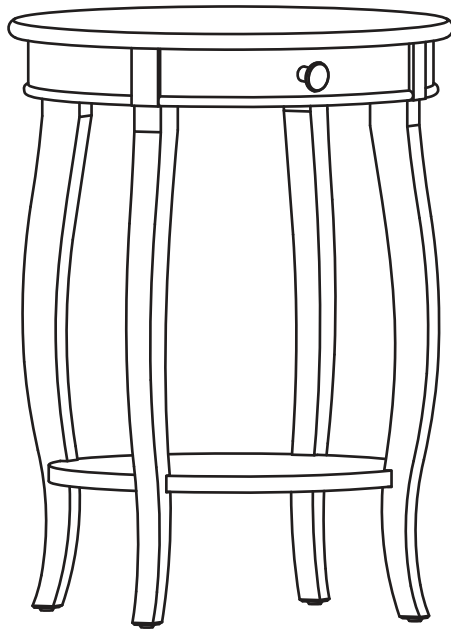


# ASSEMBLY INSTRUCTION



1



8 pcs

2



8 pcs

3



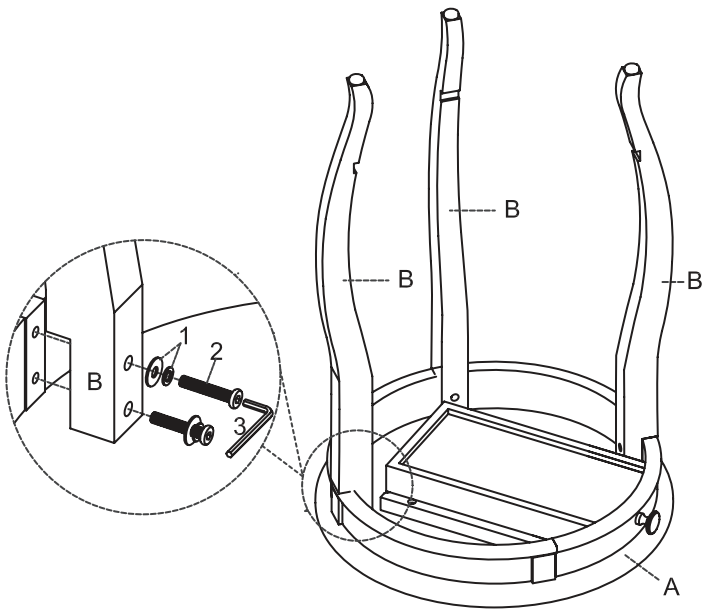
1 pc

4

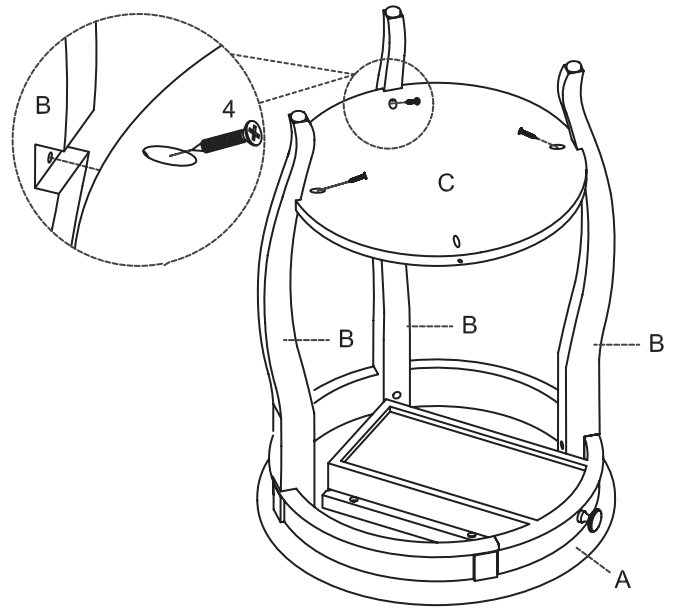


4 pcs

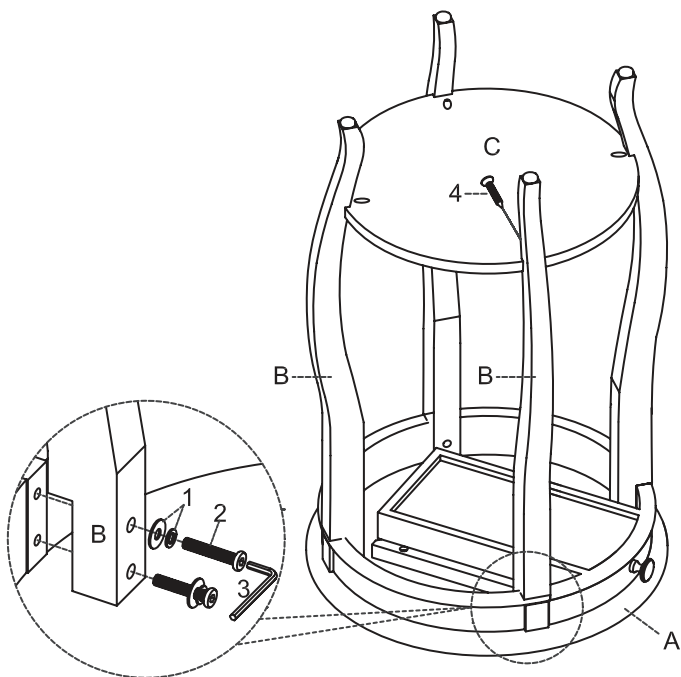
Step 1



Step 2



Step 3



Step 4

