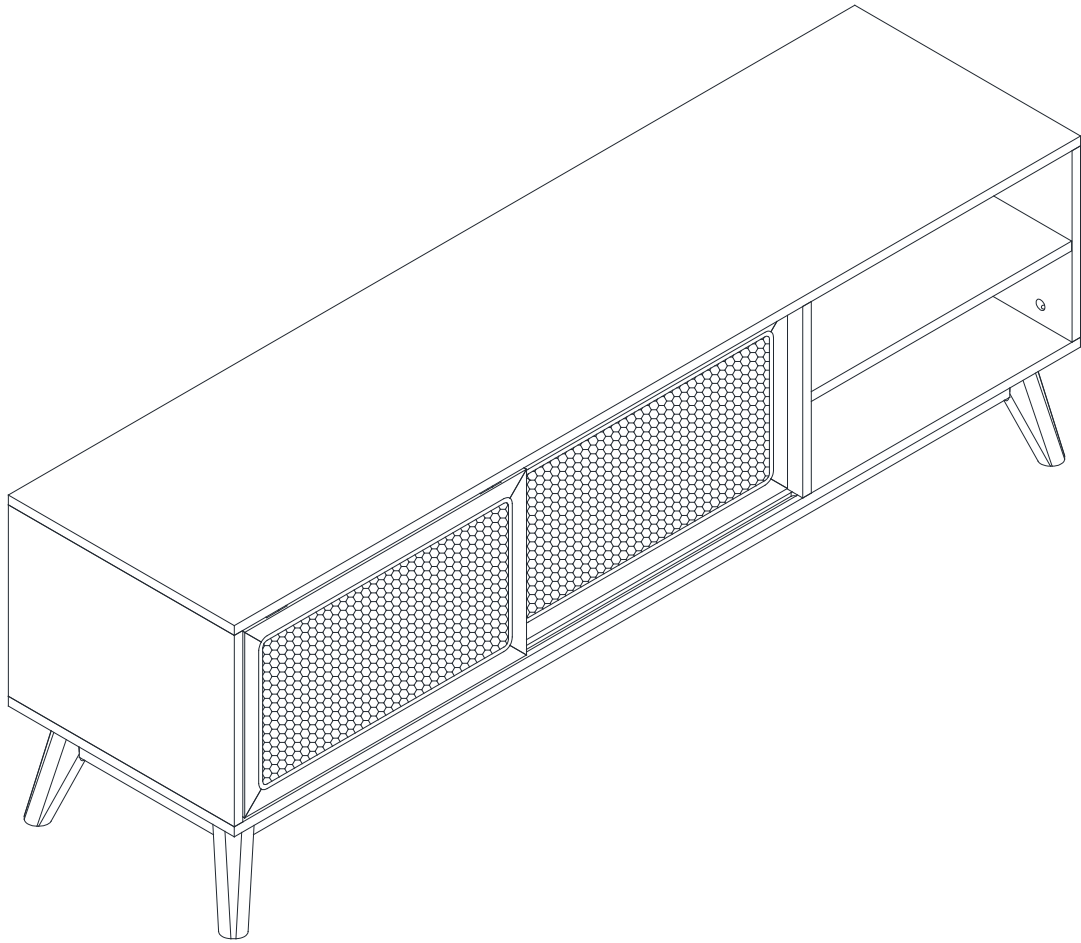
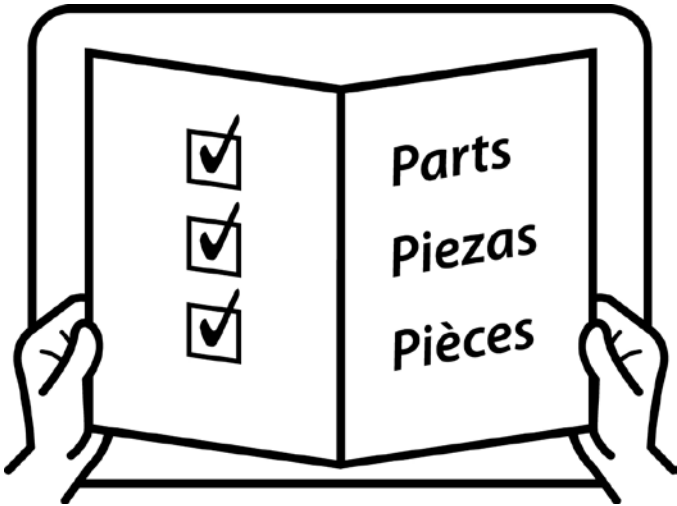
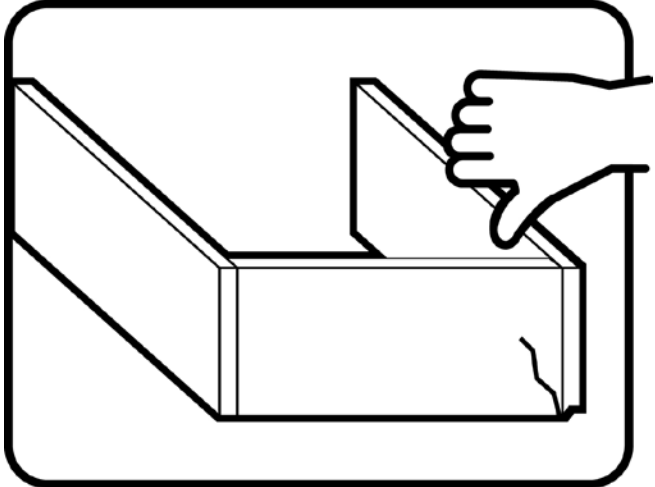
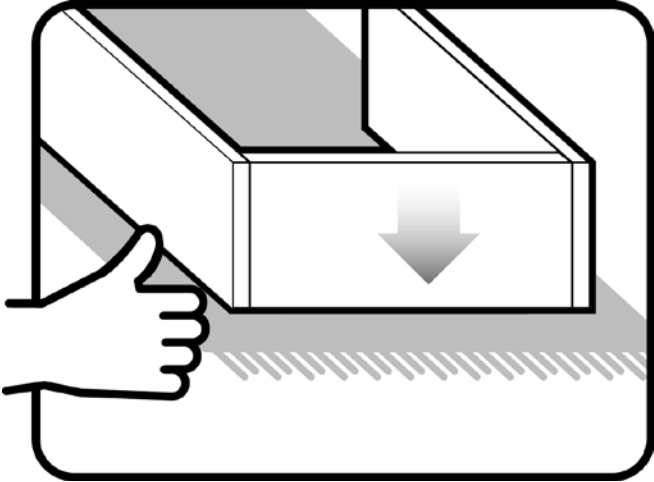
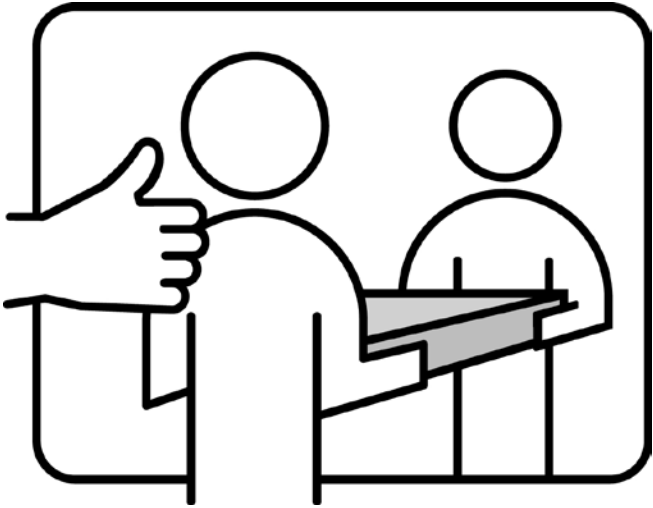
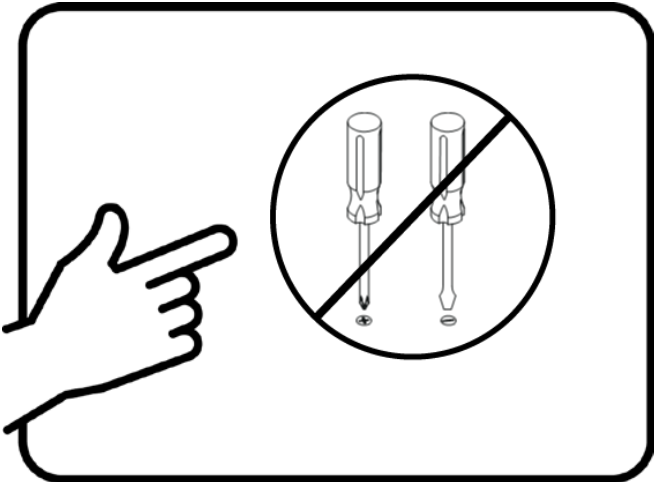


Assembly | Asambla | Assemblage

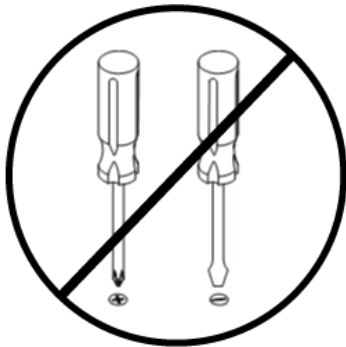


Assembly | Asamblea | Assemblage



Assembly | Asamblea | Assemblage

Techniques | Técnicas | Techniques



Care | Cuidado | Entretien



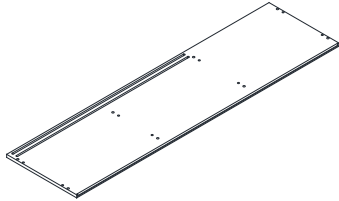
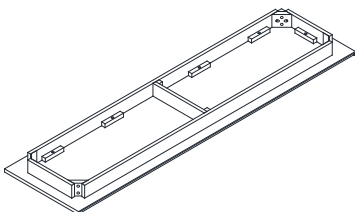
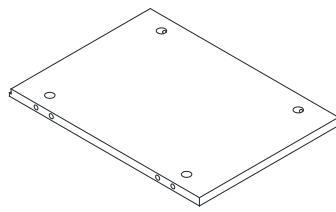
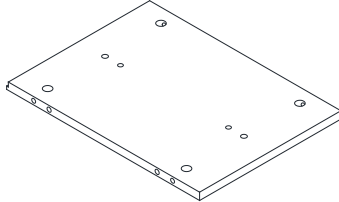
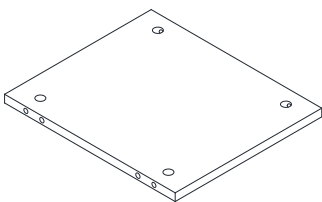
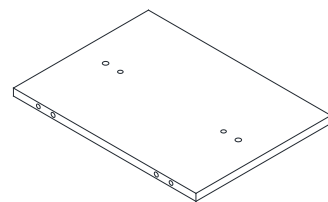
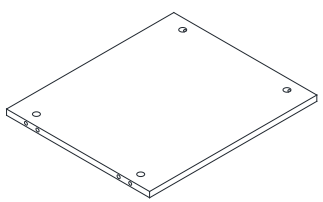
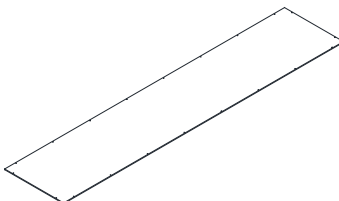
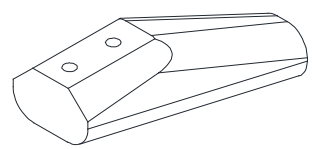
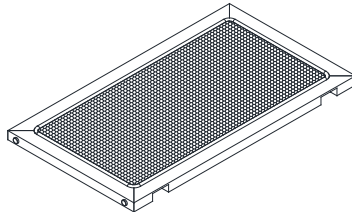
Safety | Seguridad | Sécurité



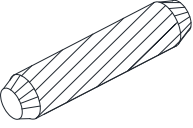
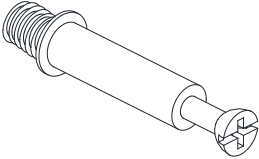
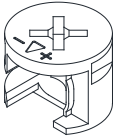
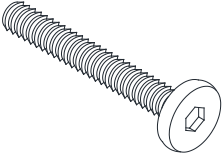


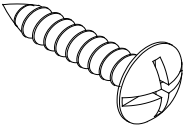
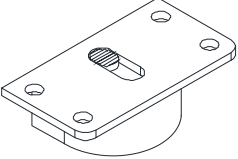
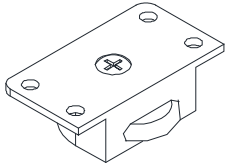
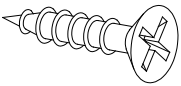
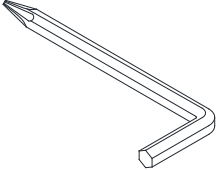
Note! | ¡Nota! | Remarque!



Assembly | Asambla | Assemblage

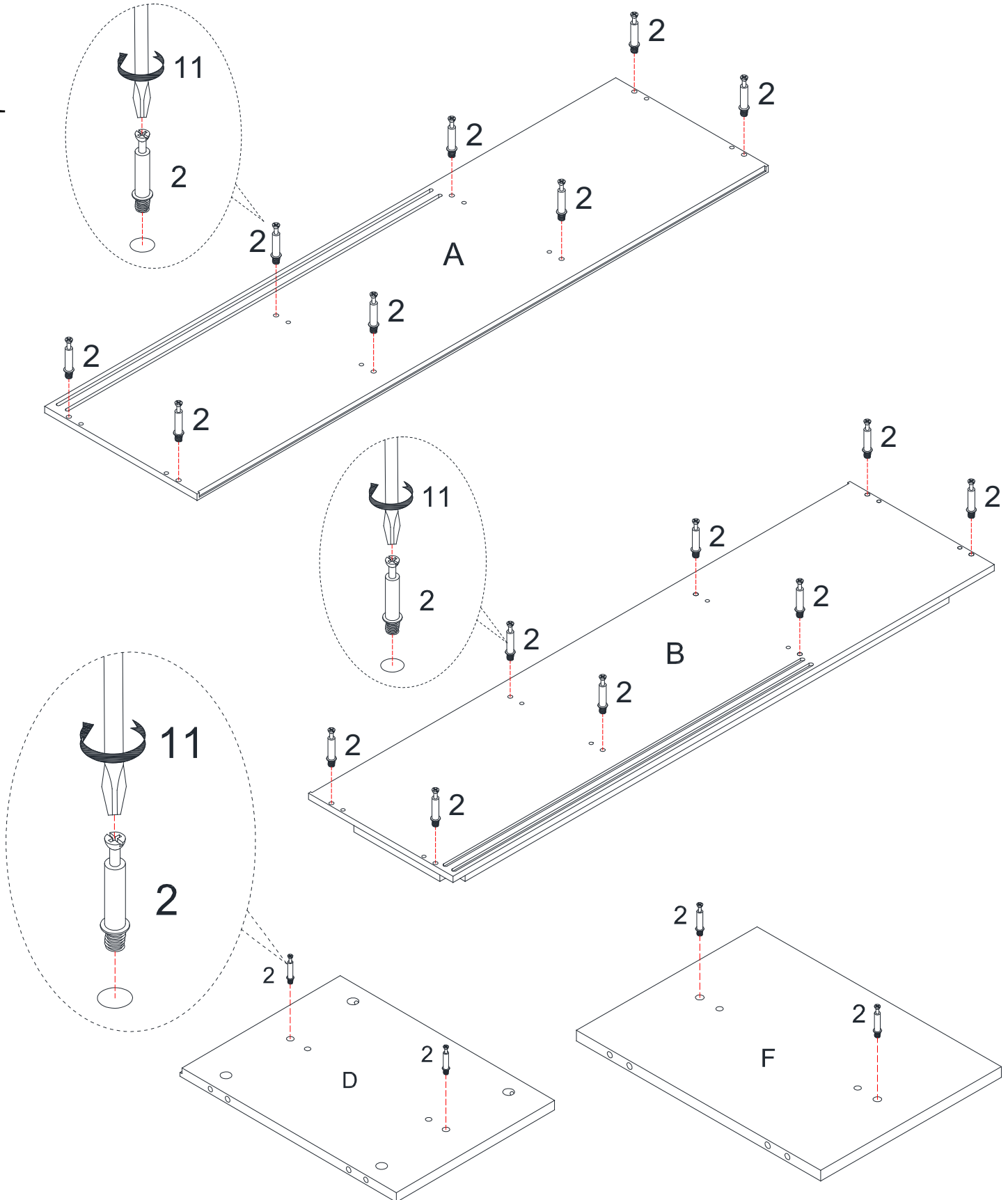
<p>A x1</p>  <p>Top Panel</p>	<p>B x1</p>  <p>Bottom Panel</p>	<p>C x1</p>  <p>Left Side Panel</p>
<p>D x1</p>  <p>Right Side Panel</p>	<p>E x1</p>  <p>Left Partition Panel</p>	<p>F x1</p>  <p>Right Partition Panel</p>
<p>G x1</p>  <p>Fixed Shelf</p>	<p>H x1</p>  <p>Back Panel</p>	<p>I x4</p>  <p>Leg</p>
<p>J X2</p>  <p>Door</p>		

Assembly | Asamblea | Assemblage

<p>1 x20</p>  <p>Wood Dowel</p>	<p>2 x20</p>  <p>Cam Bolt</p>	<p>3 x20</p>  <p>Cam Lock</p>
<p>4 x8</p>  <p>Bolt 1/4"*1-3/4"</p>	<p>5 x8</p>  <p>Spring Washer</p>	<p>6 x8</p>  <p>Flat Washer $\phi 1/4"$*16</p>
<p>7 x20</p>  <p>Screw $\phi 3$*12mm</p>	<p>8 x4</p>  <p>Top Pulley</p>	<p>9 x4</p>  <p>Bottom Pulley</p>
<p>10 x32</p>  <p>Screw $\phi 3$*15mm</p>	<p>11 x1</p>  <p>Allen Wrench</p>	

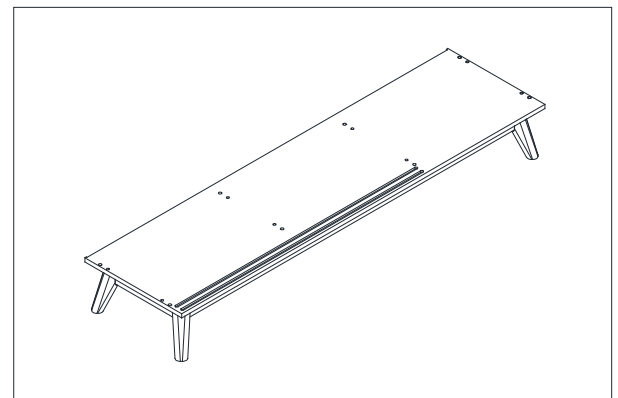
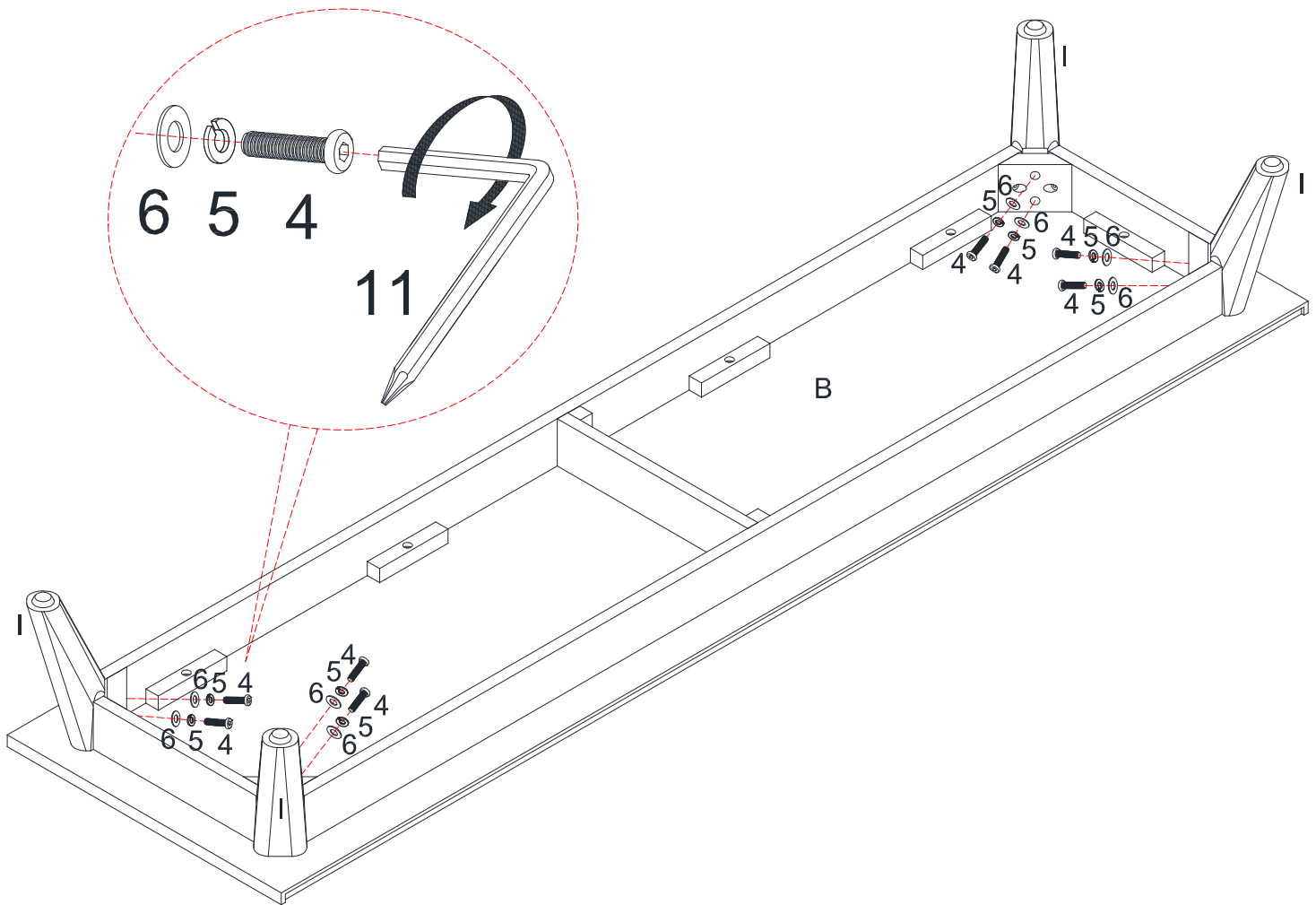
Assembly | Asambla | Assemblage

1



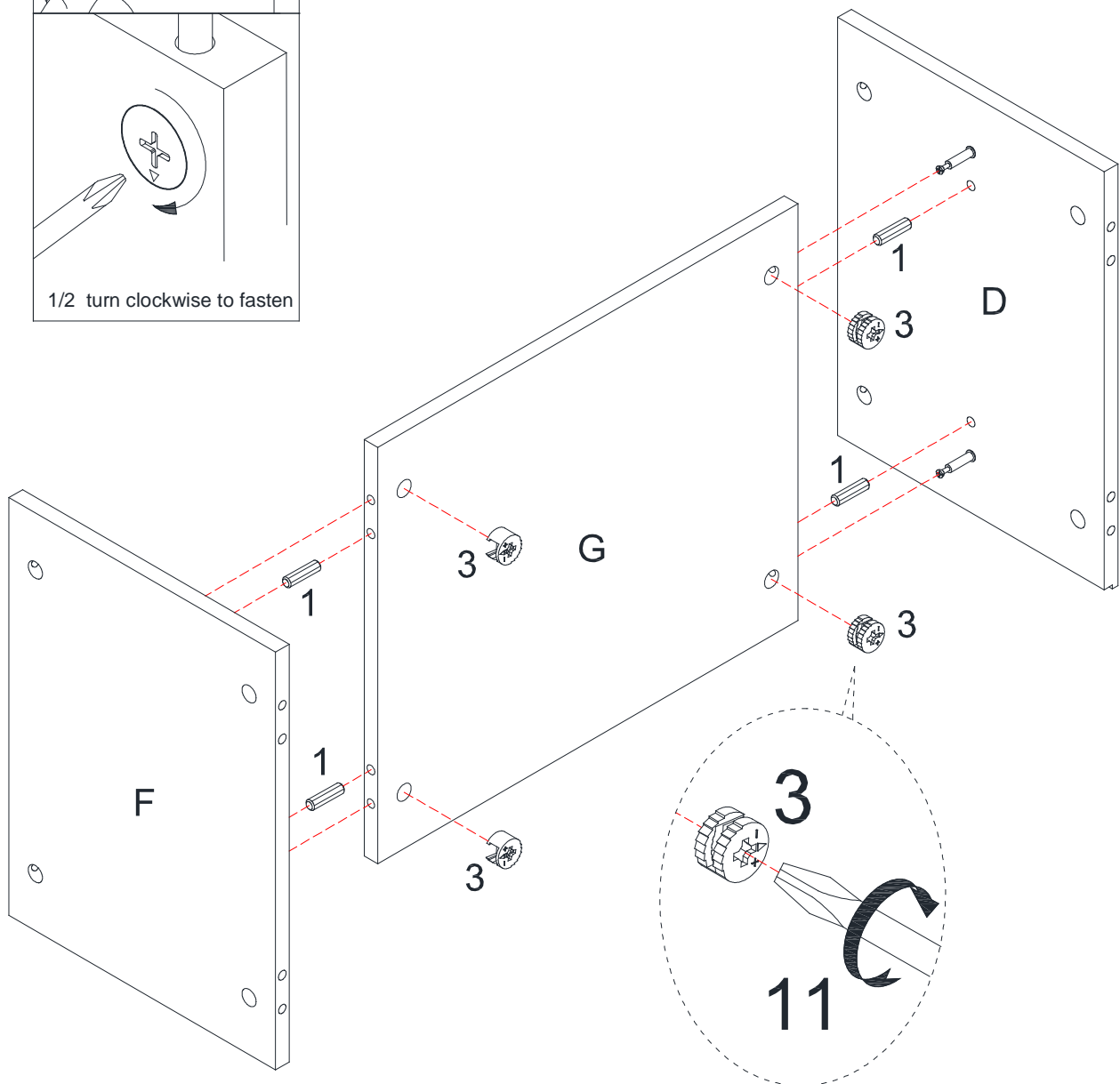
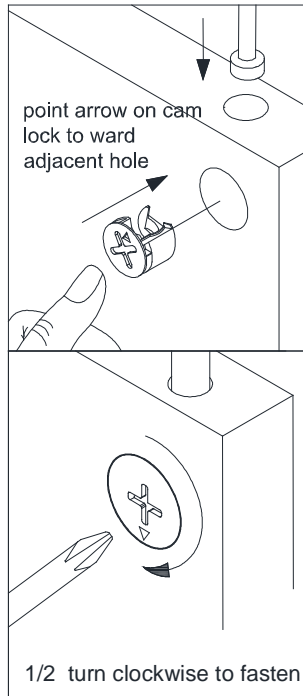
Assembly | Asambla | Assemblage

2



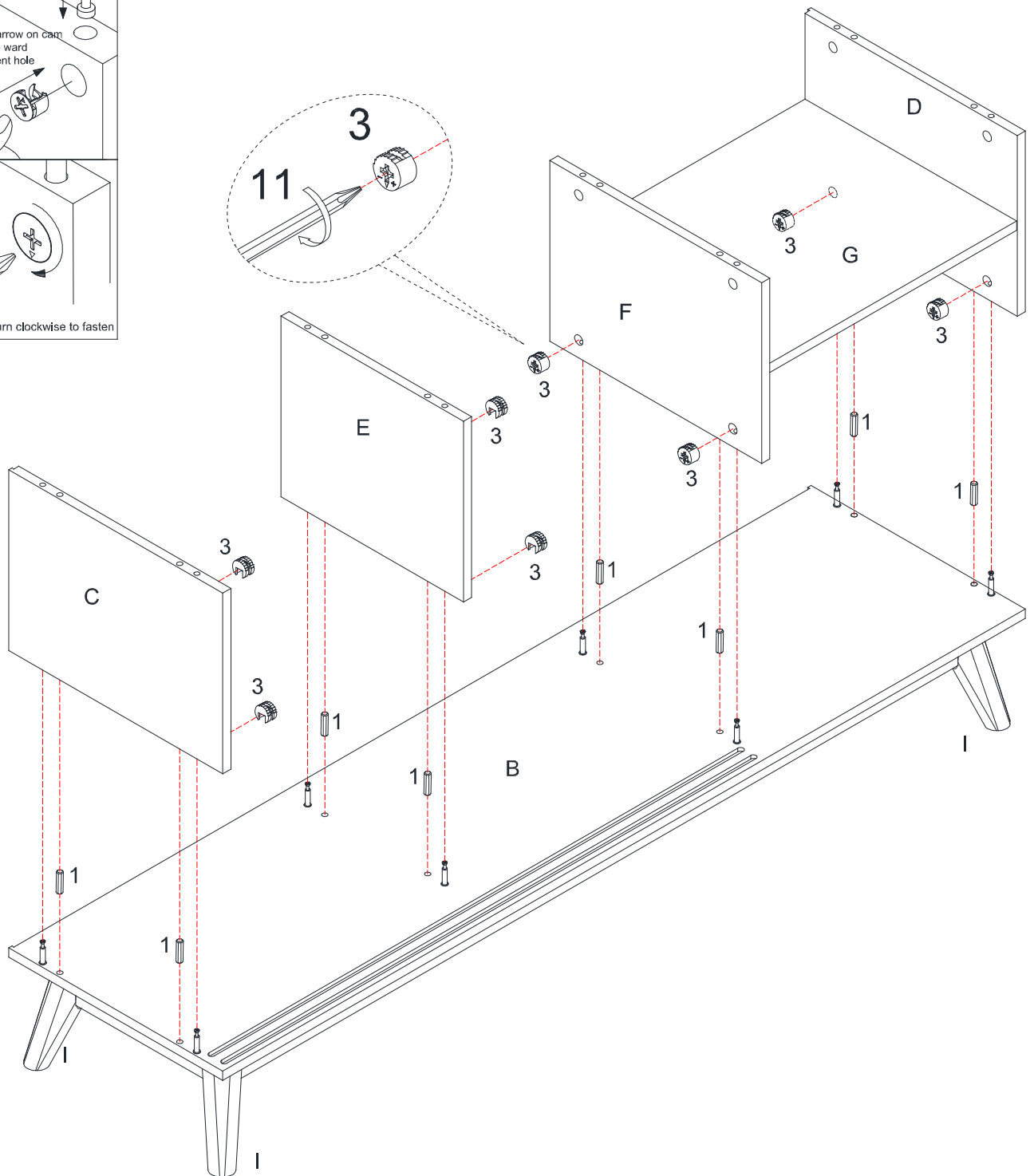
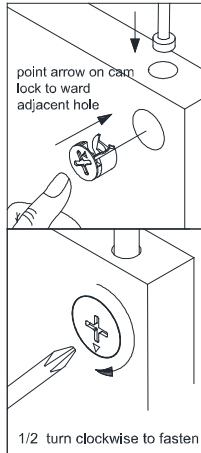
Assembly | Asambla | Assemblage

3



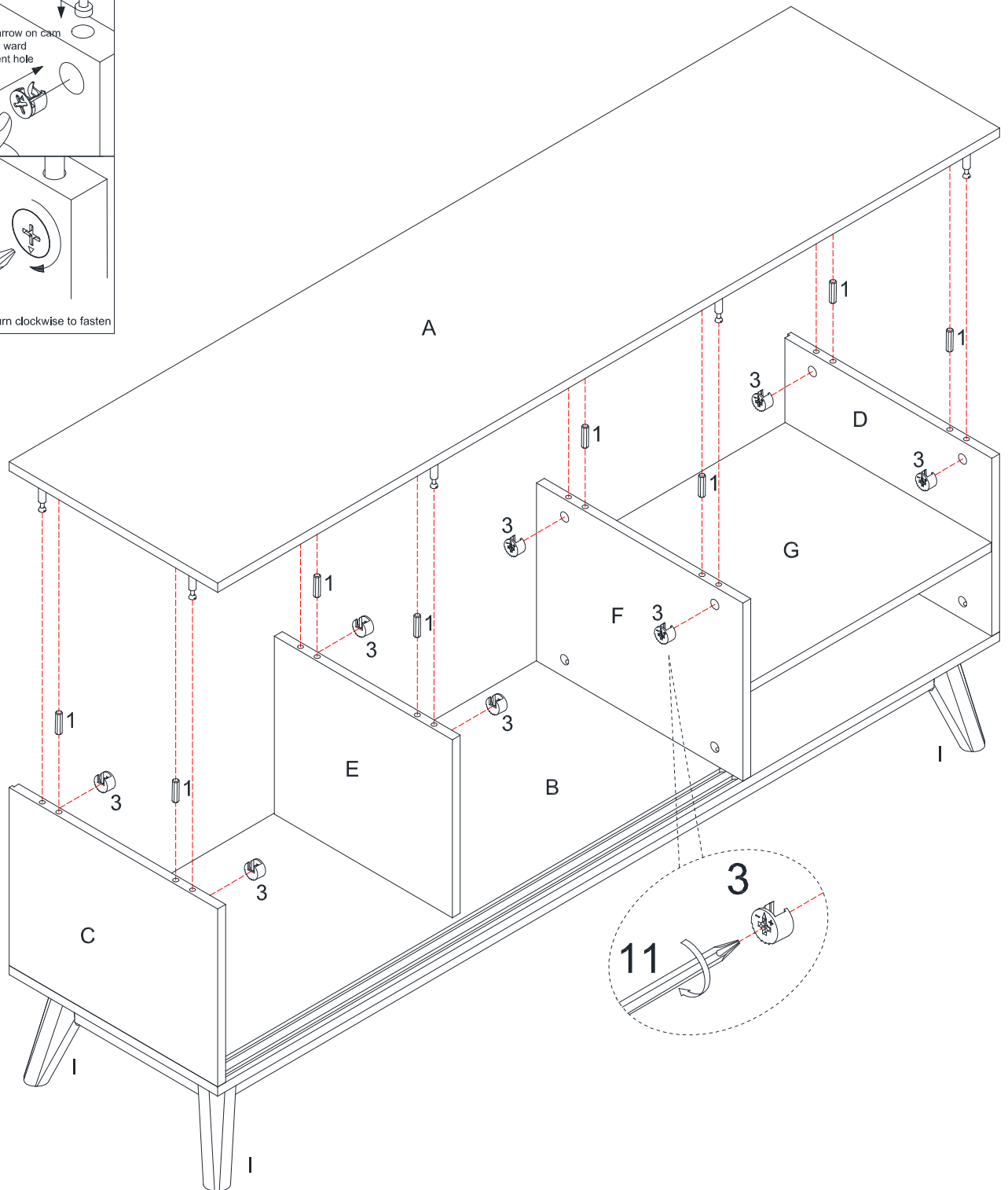
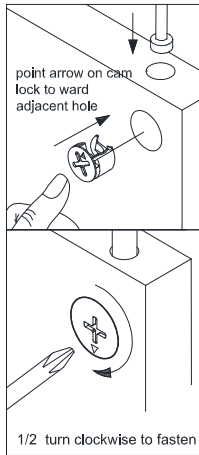
Assembly | Asambla | Assemblage

4



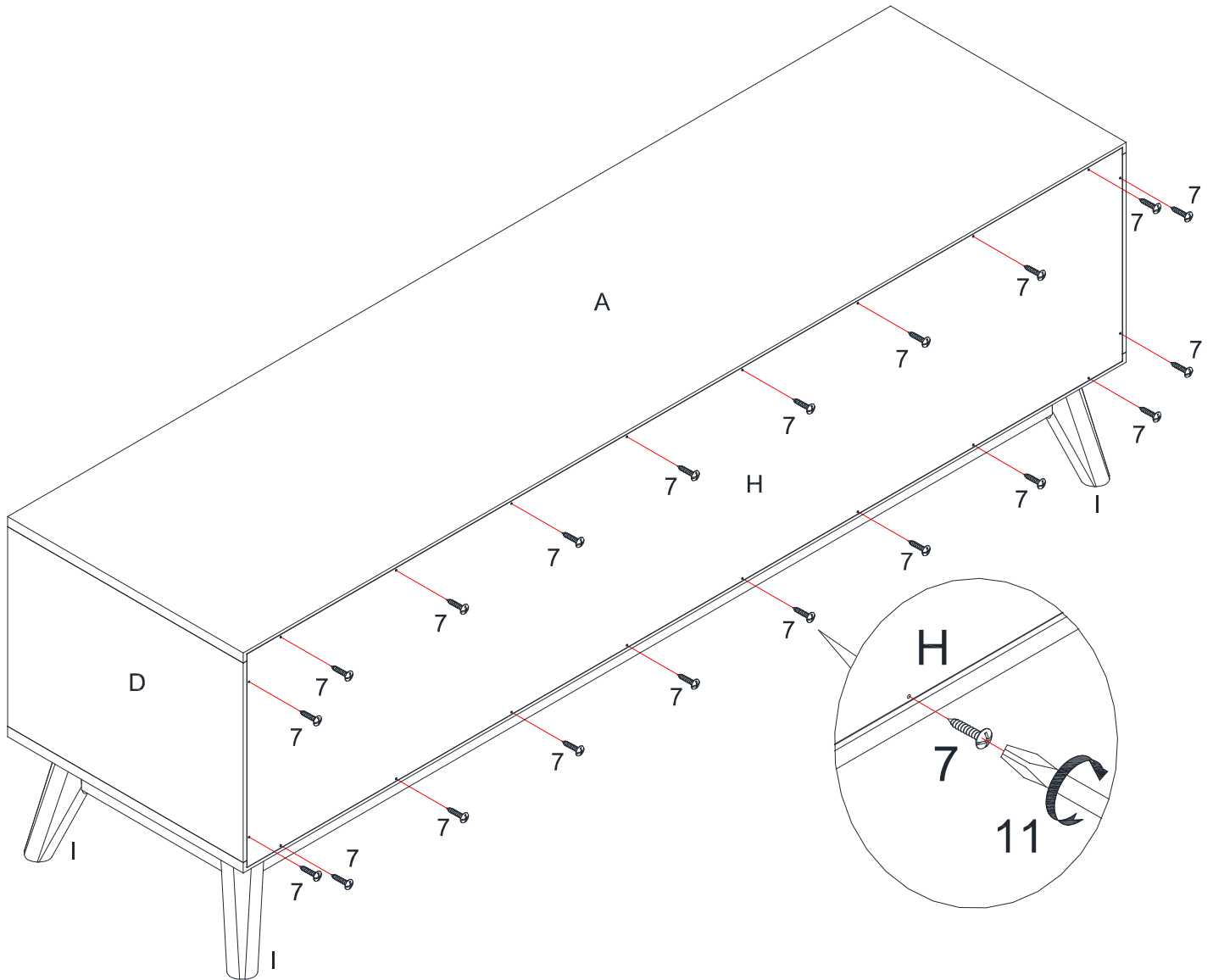
Assembly | Asambla | Assemblage

5



Assembly | Asambla | Assemblage

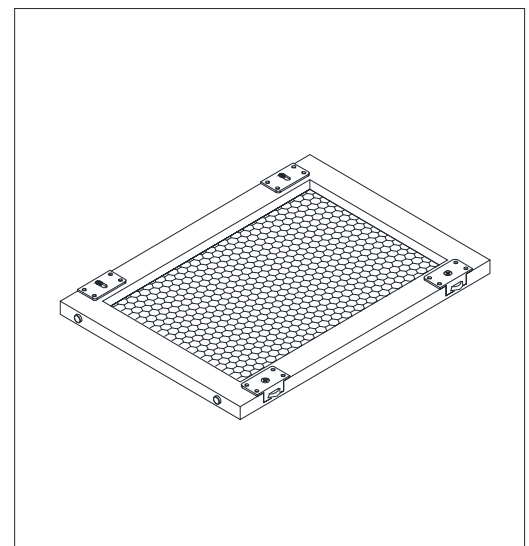
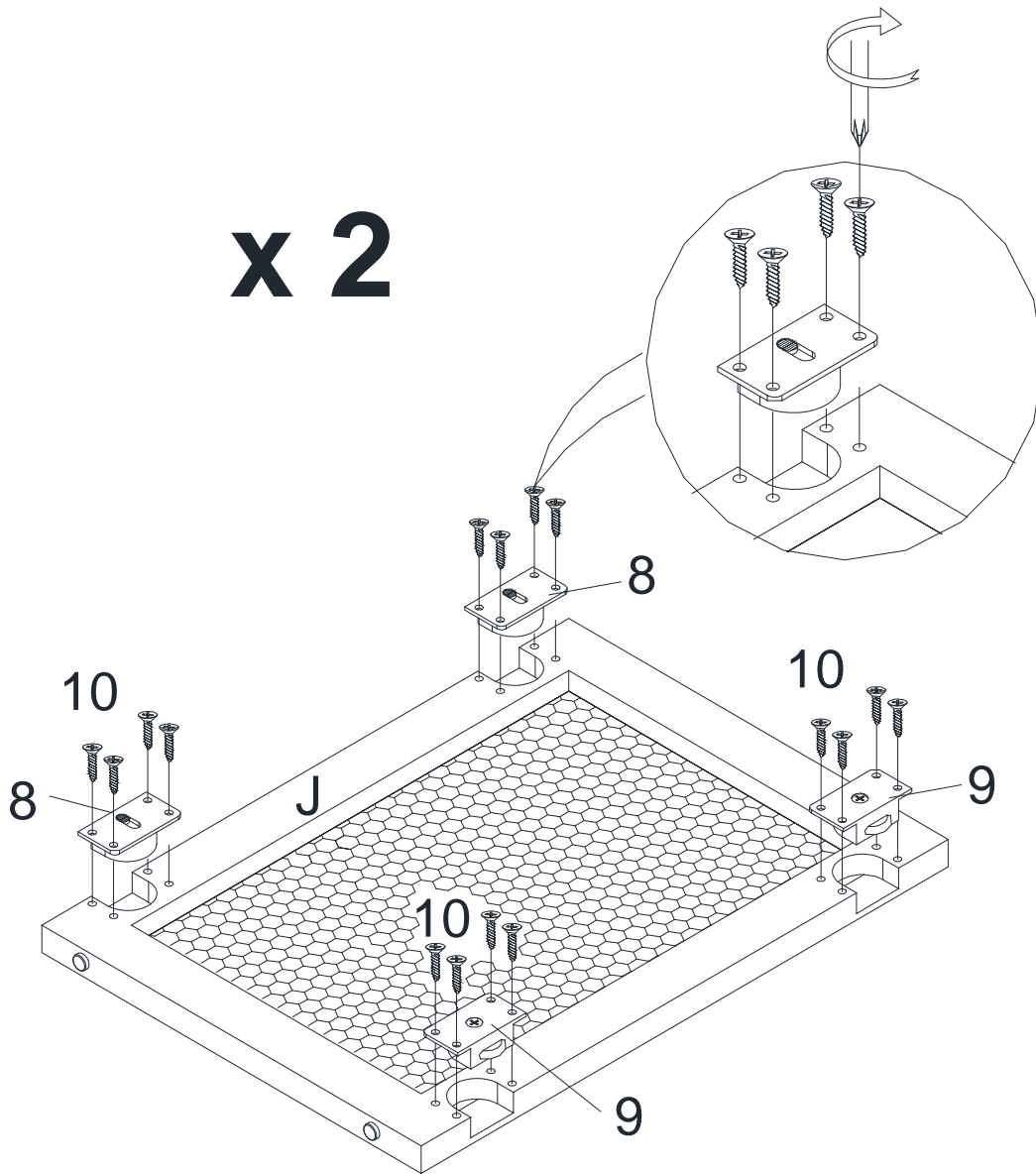
6



Assembly | Asambla | Assemblage

7

x 2



Assembly | Asambla | Assemblage

8

