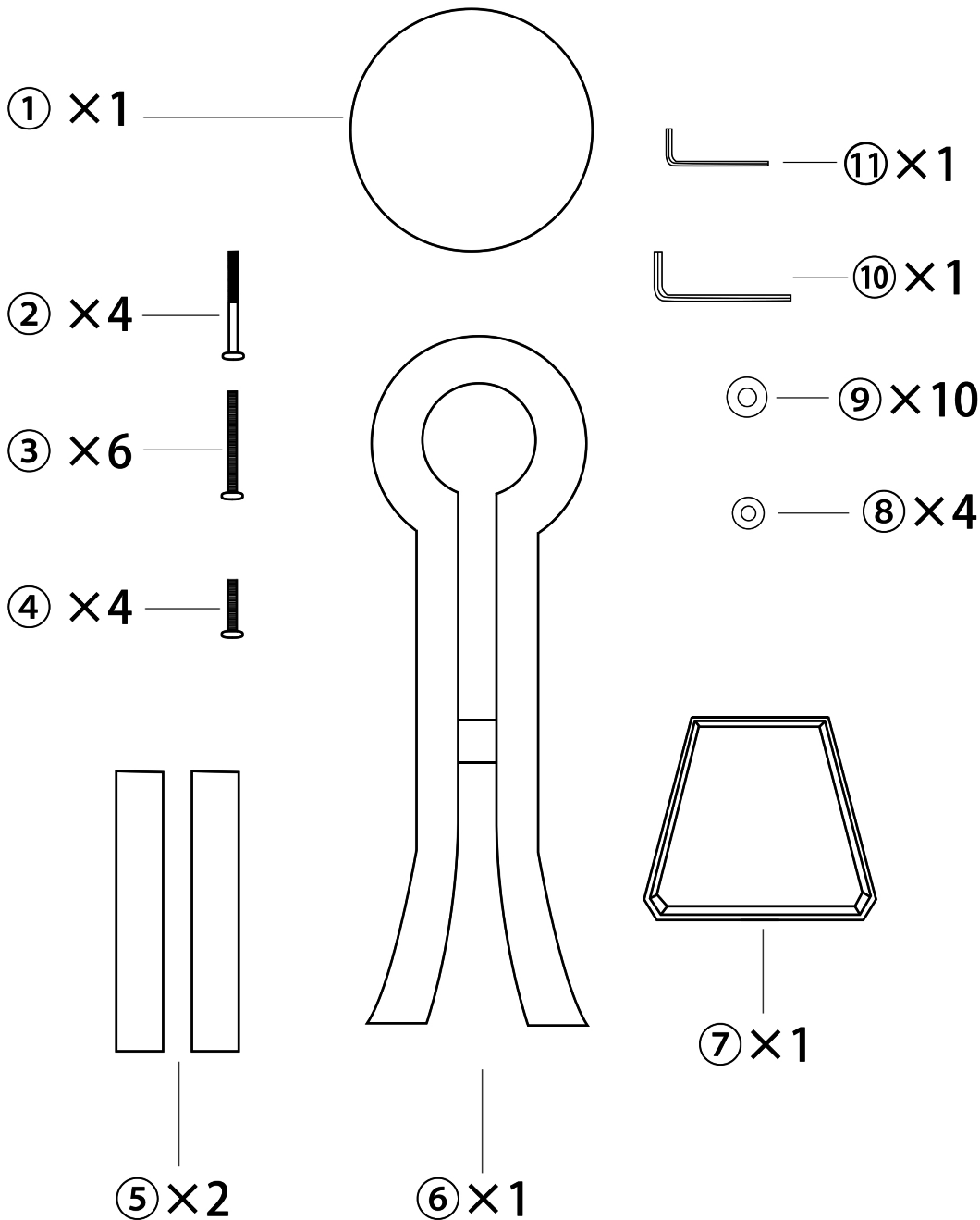
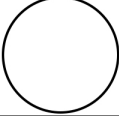



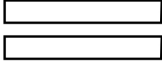

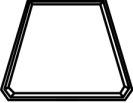




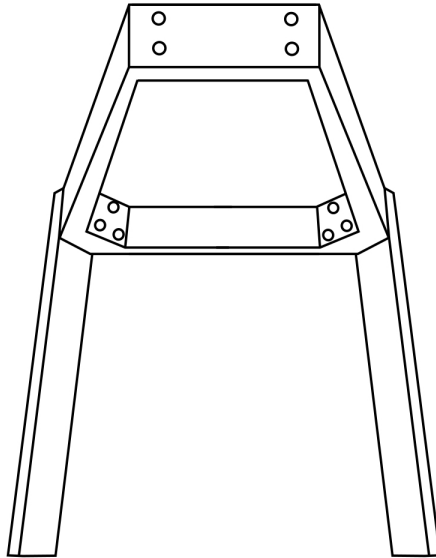
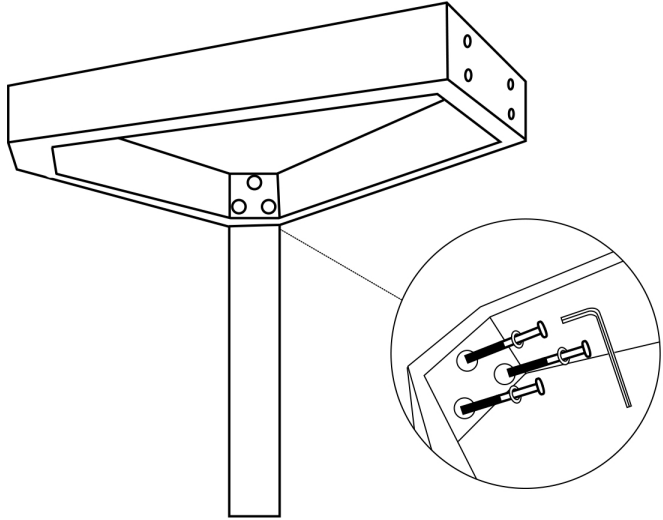


Chair Installation Instructions



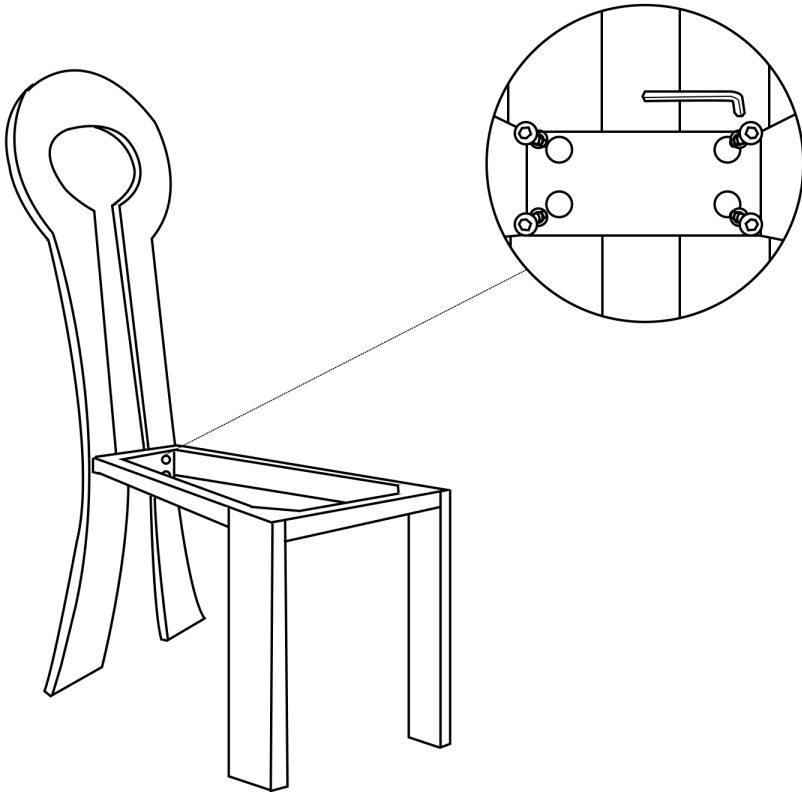
Picture	Name	Quantity
	Seat	1
	Screws A	4
	Screws B	6
	Screws C	4
	Chair legs	1
	Back frame	1
	Trapezoidal frame	1
	Hexagonal spanner (small size)	1
	Hexagonal spanner (large size)	1
	Washer A	10
	Washer B	4

1. Attach the chair legs



First, use six No. B screws to attach the front two wooden legs to the top of the trapezoidal frame, but do not tighten the screws at this stage.

2. Attach back wooden frame



Align the holes of the trapezoidal frame with those of the rear wooden frame and secure them with four No. A screws.

Afterwards, place the chair upright on a flat surface, ensuring that the wooden legs are flat against the ground.

Only after that, should you proceed to tighten the screws.

3. Attach the seat and frame



The seat cushion's front and rear hole positions are different.

Align the front and rear holes of the chair and cushion first.

Then, connect corresponding holes with four No.C screws and tighten them one by one for a secure fit.

4. Assembly complete

