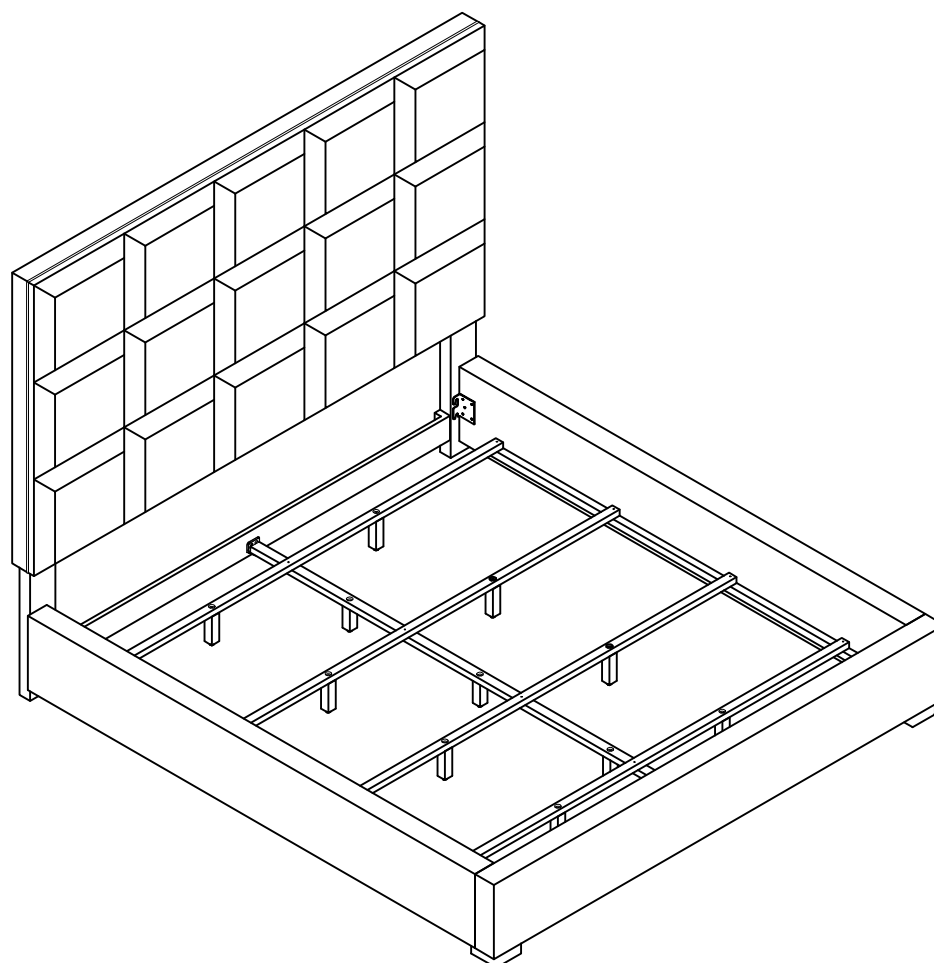


ASSEMBLY INSTRUCTIONS



Fine Furniture for every stage of life

Eastern King Bed

ASSEMBLY INSTRUCTIONS

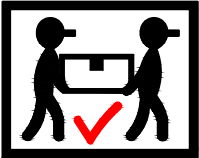
ASSEMBLY TIPS:

1. Remove hardware from box and sort by size.
2. Please check to see that all hardware and parts are present prior to start of assembly.
3. Please follow attached instructions in the same sequence as numbered to assure fast & easy assembly.



WARNING!

1. Don't attempt to repair or modify parts that are broken or defective. Please contact the store immediately.
2. This product is for home use only and not intended for commercial establishments.



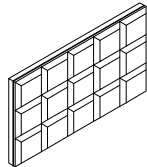
ASSEMBLY TIME

30 MINUTES

PARTS IDENTIFICATION

B1(BOX1):

A HEADBOARD PANEL



1PC

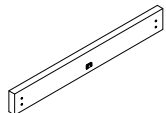
C RIGHT HEADBOARD LEG



1PC

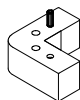
B2(BOX2):

E FOOTBOARD PANEL



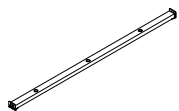
1PC

G RIGHT FOOTBOARD LEG



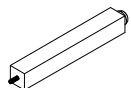
1PC

I CENTER RAIL



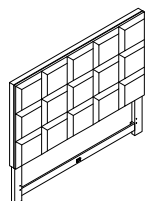
1PC

K BED SLAT SUPPORT WITH LEVELER



8PCS

HB FROM BOX1
HEADBOARD
COMPLETE



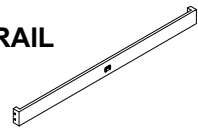
1PC

B LEFT HEADBOARD LEG



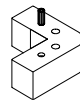
1PC

D HEADBOARD BOTTOM RAIL



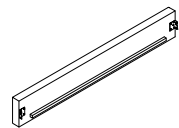
1PC

F LEFT FOOTBOARD LEG



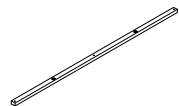
1PC

H BED RAIL



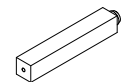
2PCS

J BED SLAT



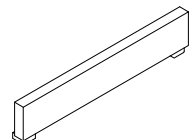
4PCS

L CENTER RAIL SUPPORT WITH LEVELER



3PCS

FB FROM BOX2
FOOTBOARD
COMPLETE



1PC

ASSEMBLY INSTRUCTIONS

ASSEMBLY TIPS:

1. Remove hardware from box and sort by size.
2. Please check to see that all hardware and parts are present prior to start of assembly.
3. Please follow attached instructions in the same sequence as numbered to assure fast & easy assembly.







WARNING!








1. Don't attempt to repair or modify parts that are broken or defective. Please contact the store immediately.
2. This product is for home use only and not intended for commercial establishments.

HARDWARE IDENTIFICATION

BOX1-HARDWARE PACK

1	BOLT (Ø5/16"x50mm-RBW)		12PCS	2	LOCK WASHER (Ø5/16"-RBW)		12PCS
3	FLAT WASHER (Ø5/16"-RBW)		12PCS	4	ALLEN WRENCH (5MM-RBW)		1PC

BOX2-HARDWARE PACK

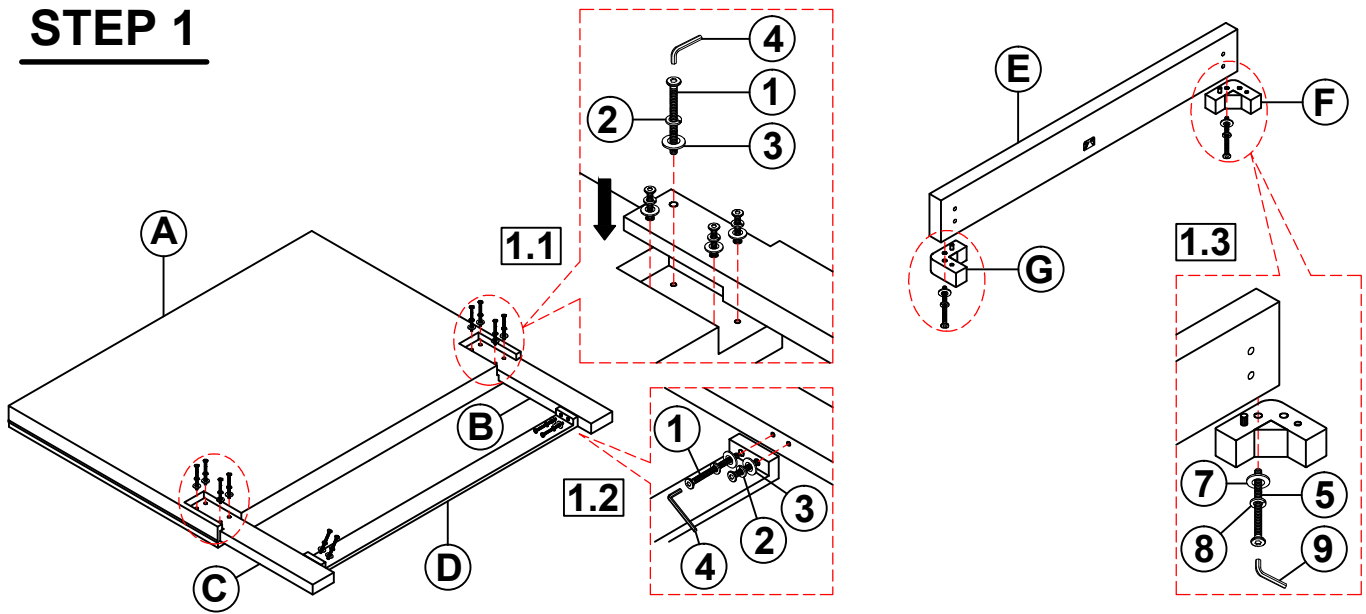
5	LONG BOLT (Ø5/16"x64mm-RBW)		2PCS	6	SHORT BOLT (Ø5/16"x38mm-RBW)		19PCS
7	FLAT WASHER (Ø5/16"-RBW)		21PCS	8	LOCK WASHER (Ø5/16"-RBW)		10PCS
9	ALLEN WRENCH (5MM-RBW)		1PC	10	SHORT PAN HEAD SCREW (M4x19mm-RBW)		4PCS
11	LONG PAN HEAD SCREW (M4x38mm-RBW)		12PCS				

NOTE:

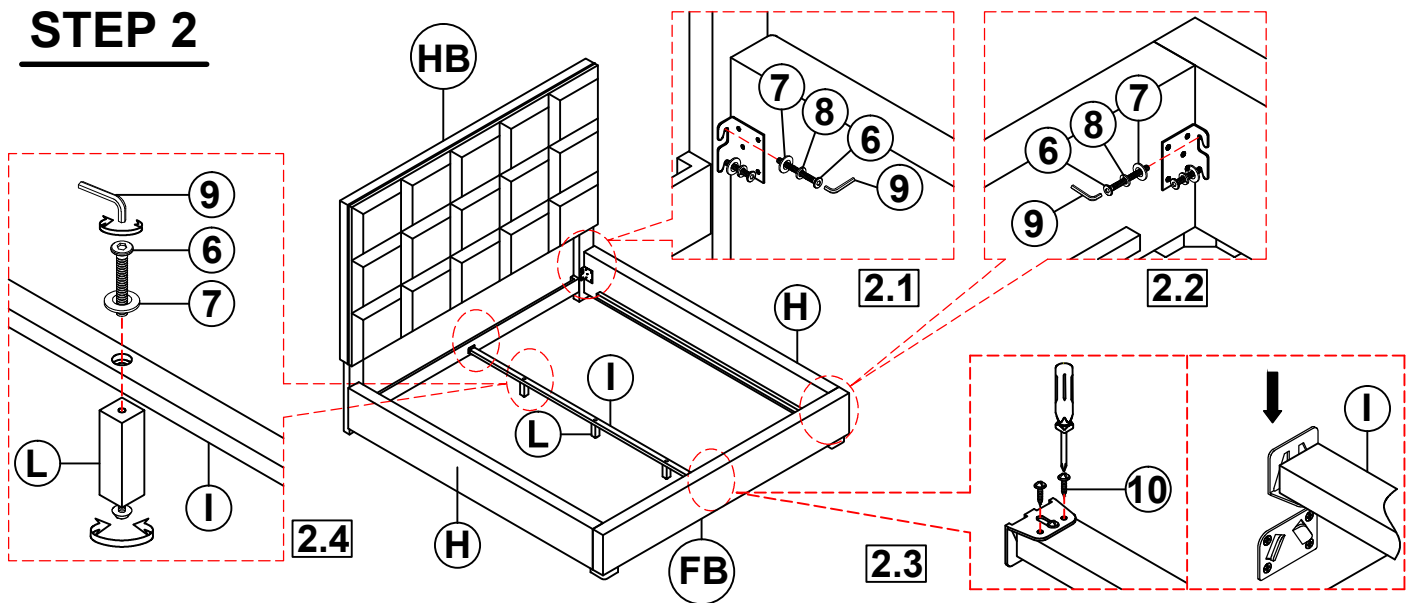
Phillips head screw driver is required in the assembly process; however, manufacturer does not provide this item.

ASSEMBLY INSTRUCTIONS

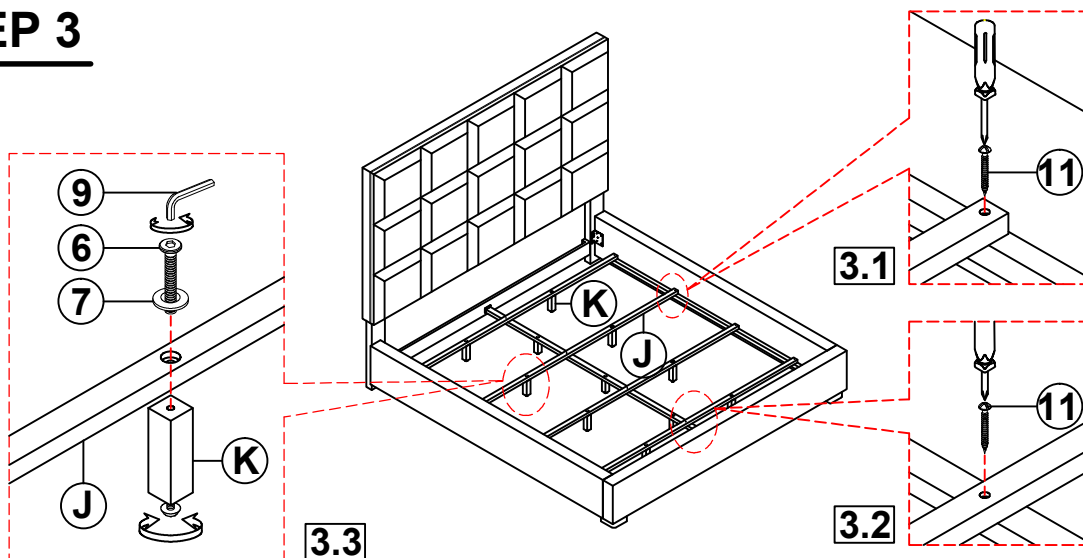
STEP 1



STEP 2



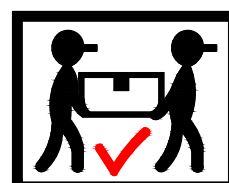
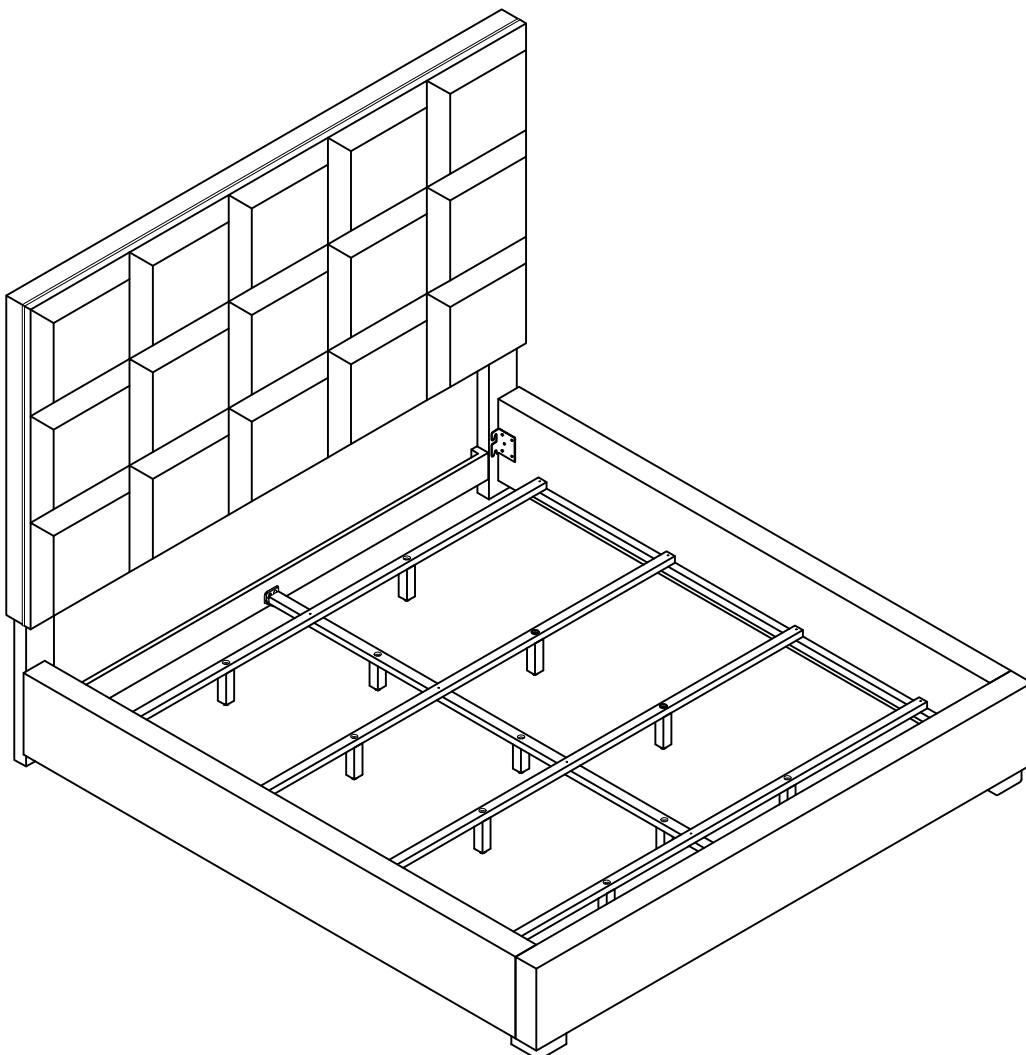
STEP 3



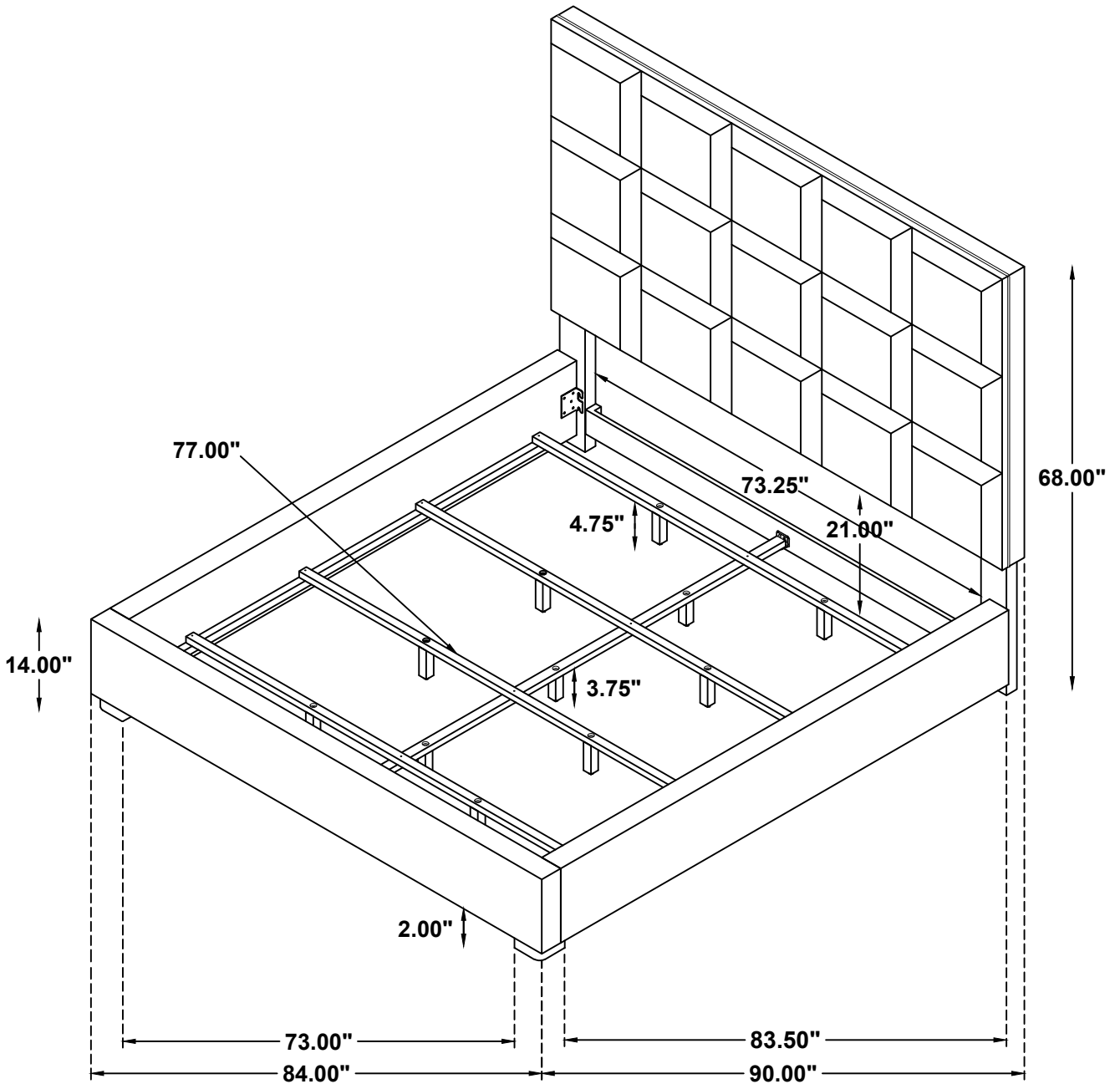
ASSEMBLY INSTRUCTIONS

STEP 4

COMPLETE



Inner Size : 77.00"W X 80.50"D



Note: Dimension tolerance $\pm 5\%$