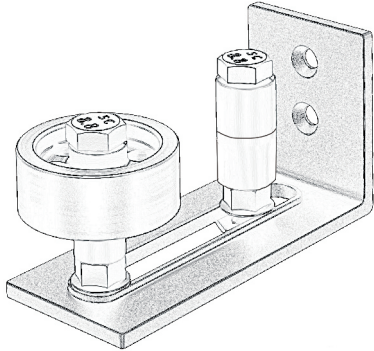


**Adjustable Floor Guide Manual - Model 1
(1 PCS)**



Email: hello@room-tec.com

Heart For Service

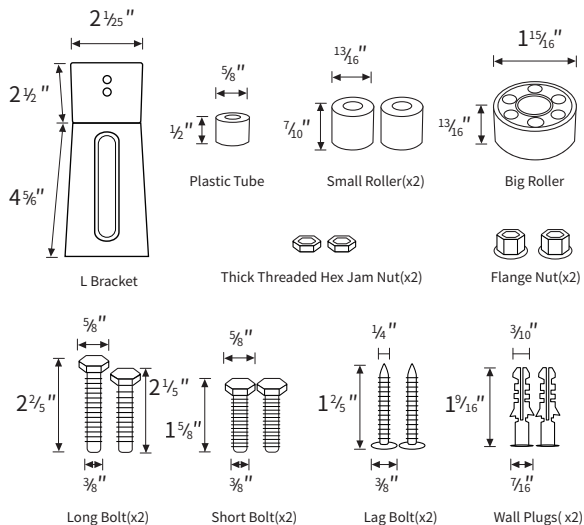
Your feedback and comments are important to us and we encourage you to email us directly for listed conditions:

- 1. Product doesn't work
- 2. The item and descriptions are not match
- 3. Product damaged in transit
- 4. Miss to receive part accessories
- 5. Need technical supports
- 6. Discount for bulk orders
- 7. Indicate the issues and win 10% coupons

*We always at your service 7days in 24hrs
YOUR SATISFACTION IS OUR RESPONSIBILITY!*

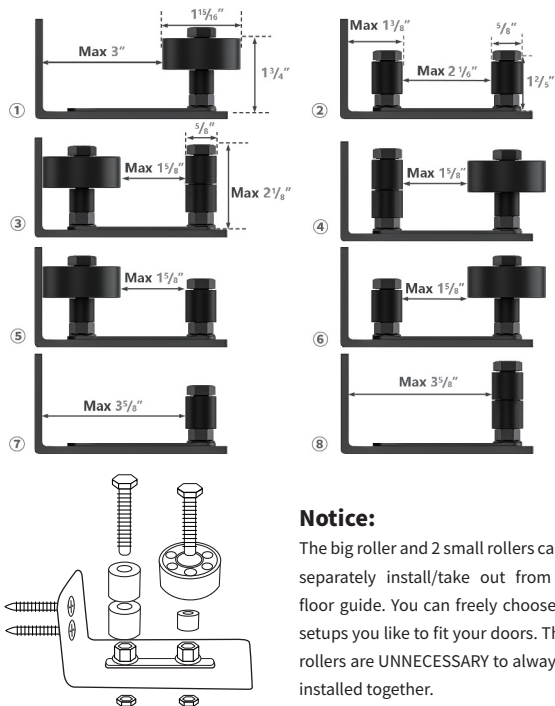
Package Included

Unit: inch



- Our products are made of high-quality materials, and each process and parts also pursue exquisite workmanship.

Installation - 8 Different Setups to Meet Your Needs



Notice:

The big roller and 2 small rollers can be separately install/take out from the floor guide. You can freely choose the setups you like to fit your doors. These rollers are UNNECESSARY to always be installed together.