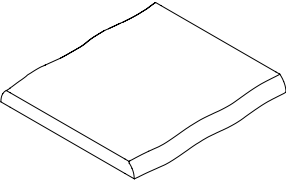
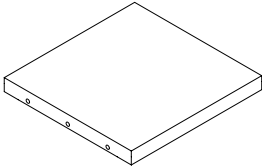
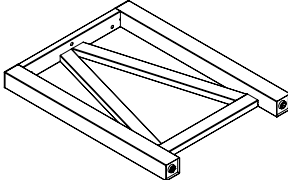
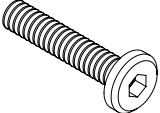
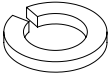

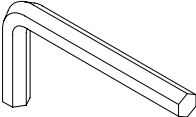
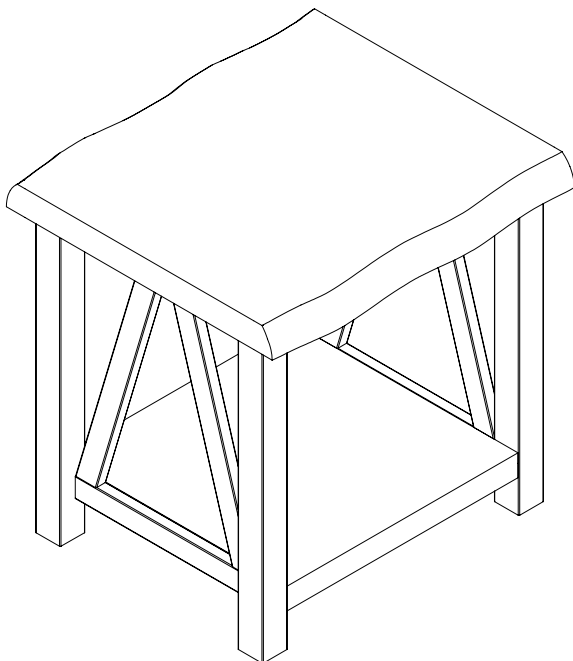


ASSEMBLY INSTRUCTIONS

END TABLE

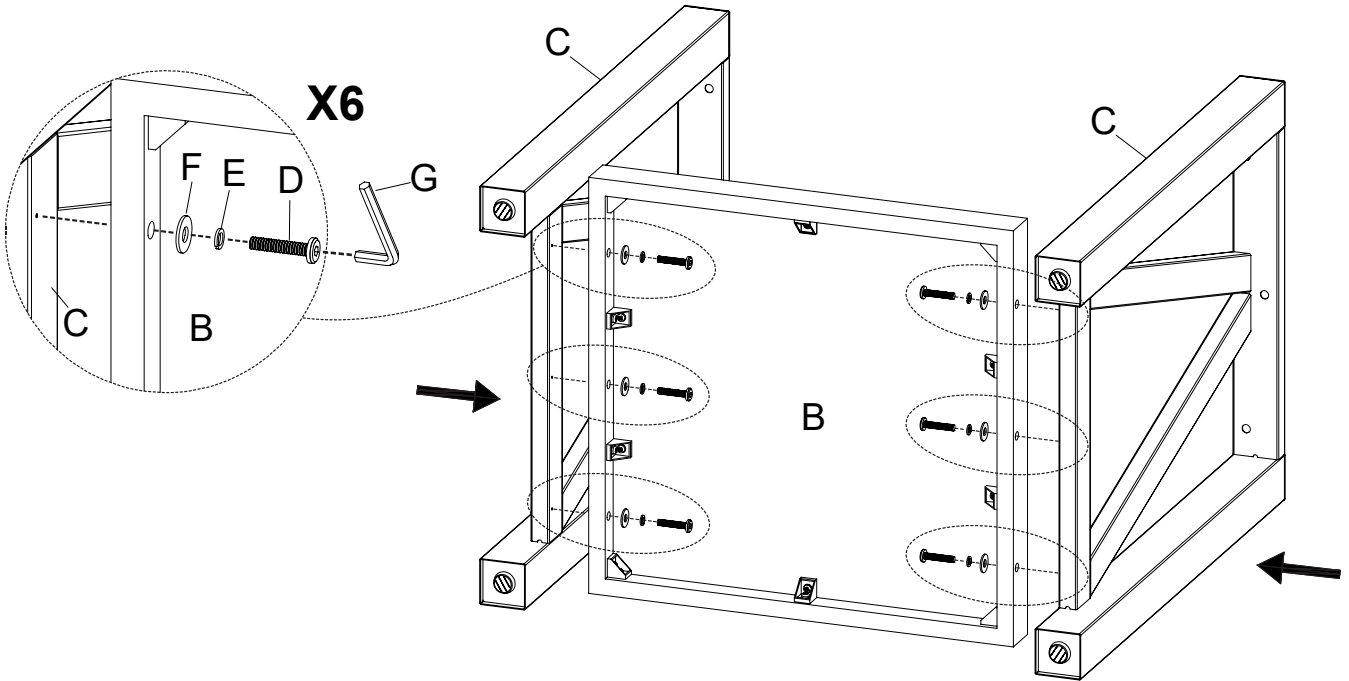
A Top Panel  1PC	B Bottom Panel  1PC	C Leg  2PCS	D Bolt Ø1/4" x 1-1/4" x Ø1/2"  12PCS
E Spring Washer Ø2/5" x Ø1/4"  12PCS	F Flat Washer Ø3/4" x Ø1/4"  12PCS	G Allen Wrench 4mm  1PC	



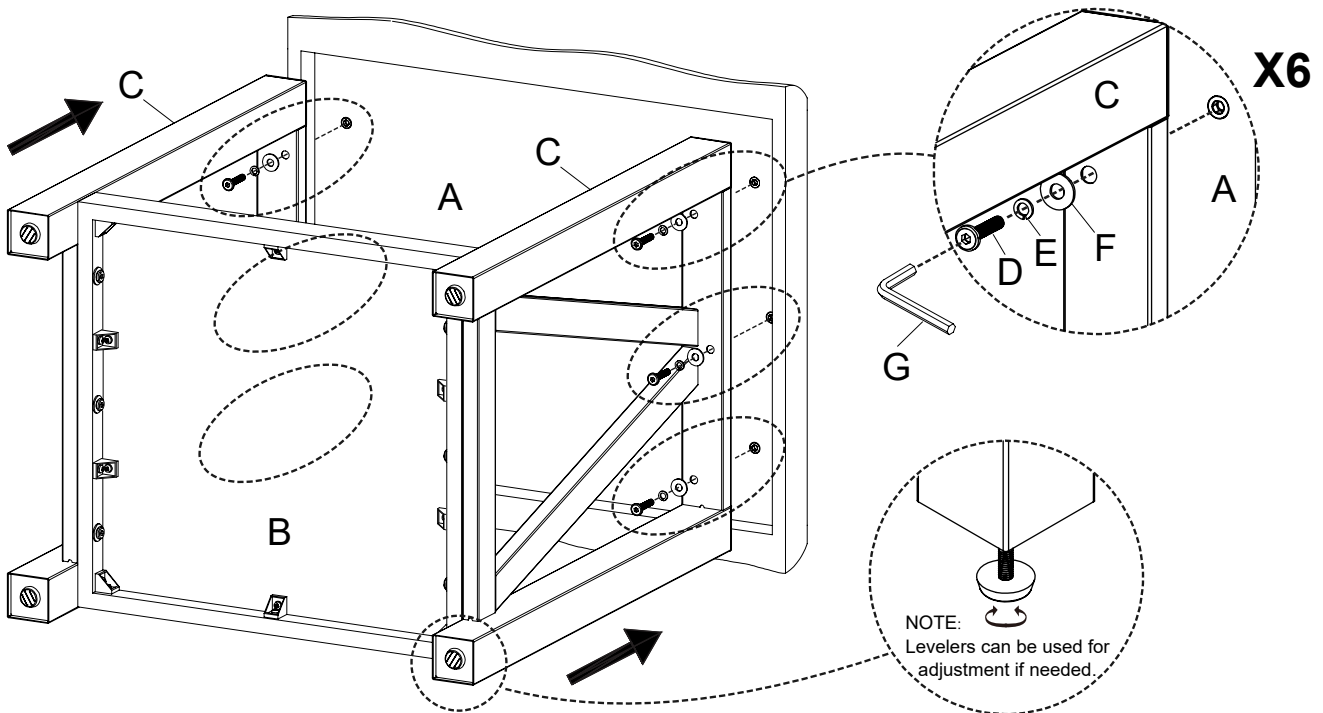
This page lists all the contents included in the box. Please take the time to identify the hardware as well as the individual components to this product. As you unpack and prepare for assembly, place the contents on a carpeted or padded area to protect them from damage.

***Do not tighten screws & bolts until the entire unit is completely assembled.

- 1 Attach the Leg (C) to the Bottom Panel (B) using Bolt (D), Spring Washer (E) and Flat Washer (F) with the Allen Wrench (G).



- 2 Attach the Leg (C) to the Top Panel (A) using Bolt (D), Spring Washer (E) and Flat Washer (F) with the Allen Wrench (G).



Cleaning & Care

Treat surfaces with care. Surfaces are resistant to scratches but are not scratch resistant. Clean surfaces with a dry or damp soft cloth. Do not use abrasive cleaners. Hardware may loosen over time. Periodically check that all connections are tight.