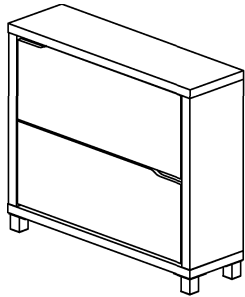


# Assembly Instruction

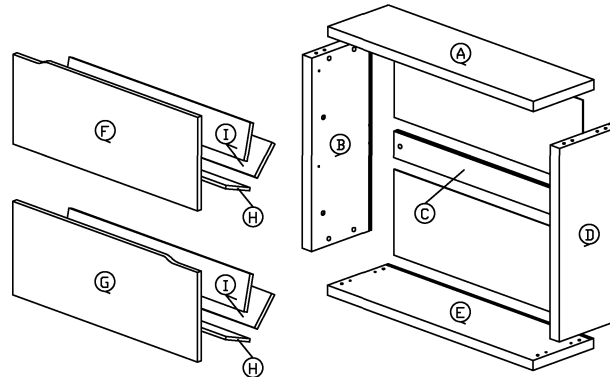


Hardware List			
No.	SHAPE	DESCRIPTION	Qty.
1		8x25mm Wood Dowel	12Pcs
2		15MM Titus Minifix	10Sets
3		M3x12mm Screw	12Pcs
4		M3.5x16mm Screw	24Pcs
5		M3.5x20mm Screw	4Pcs
6		6x30mm Plastic Dowel	4Pcs
7		2 Tray Shoe Rack	2Sets
8		Sofa Leg PVC H69	4Pcs

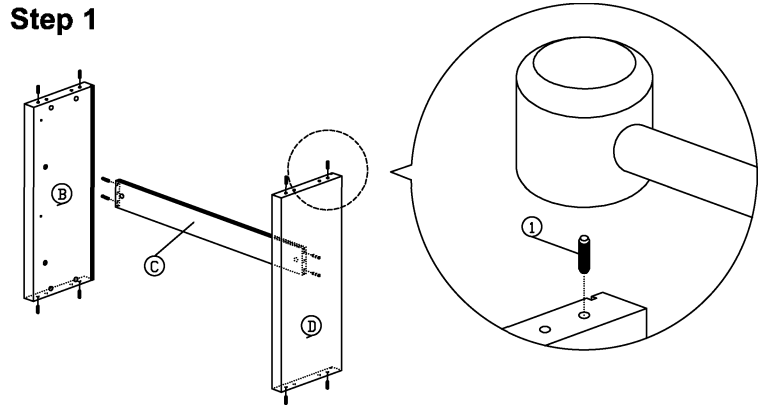
  

Dowel / Cam - Lock Installation	

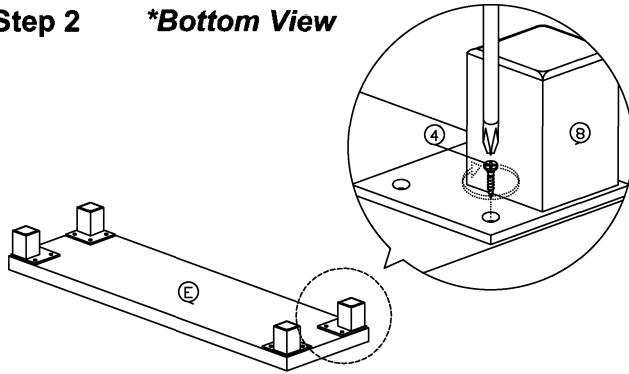
## Part List



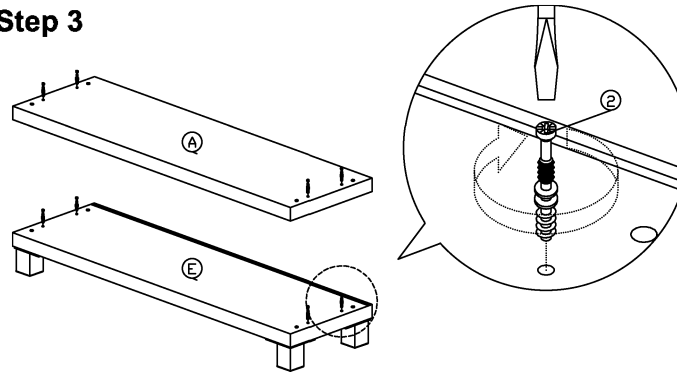
## Step 1



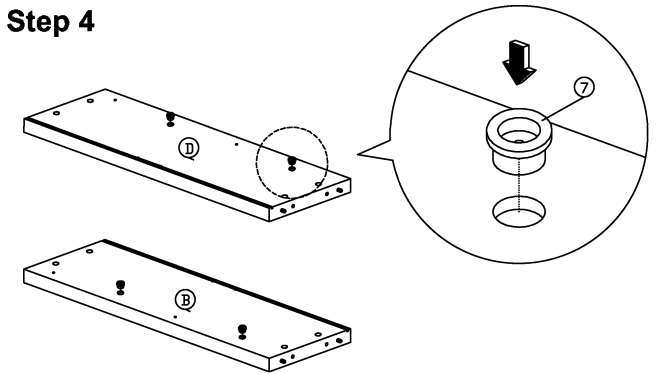
## Step 2 \*Bottom View



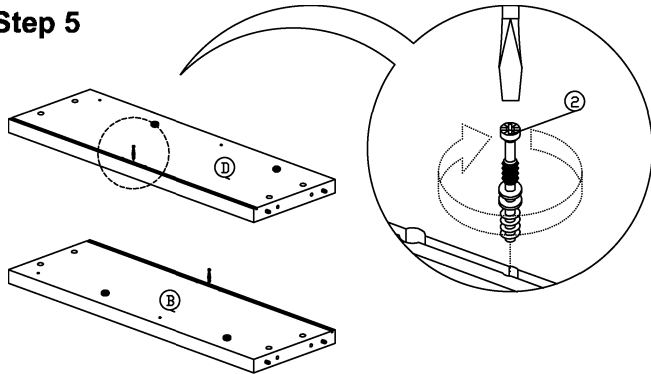
## Step 3



## Step 4



## Step 5



## Step 6

