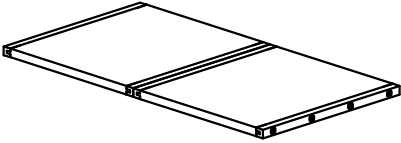
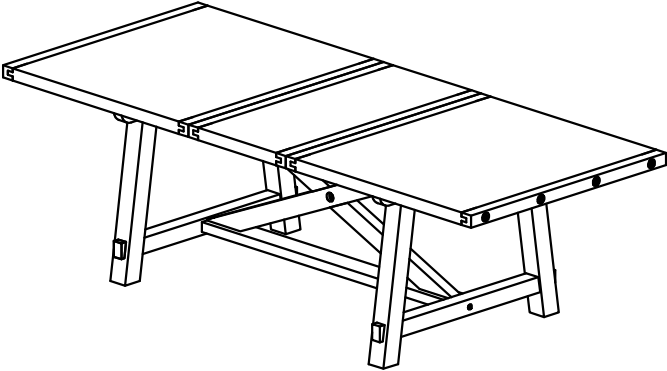
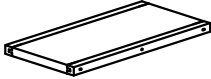
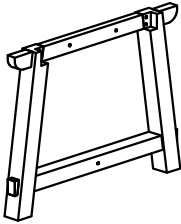
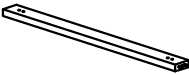
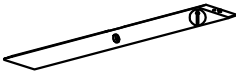







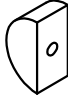
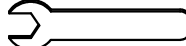

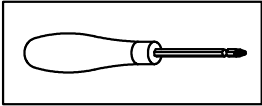



YOSEMITE COUNTER TABLE ASSEMBLY INSTRUCTIONS

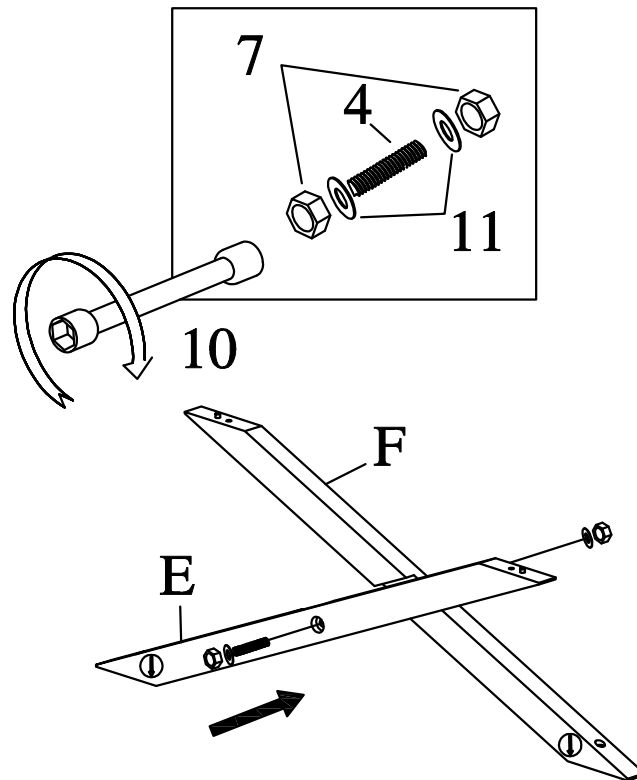
<p>A. TABLE TOP 1PC</p> 	<p>COUNTER TABLE ASSEMBLED</p> 
<p>B. EXTENSION 1PC</p> 	
<p>C. LEGS 2PCS</p> 	
<p>D. CROSSBAR 1PC</p> 	
<p>E. RAIL LEFT 1PC</p> 	

HARDWARE ENCLOSED IN BOX

<p>1 ALLEN BOLT M8 x 40 MM 02 PCS</p>	<p>2 ALLEN BOLT M8 x 50 MM 14 PCS</p>	<p>3 ALLEN BOLT M8 x 60 MM 02 PCS</p>	<p>4 THREAD BOLT M8 x 45 MM 01 PC</p>	<p>5 WASHER M9/22 16 PCS</p>
				
<p>6 SPRING WASHER M9/11 16 PCS</p>	<p>7 NUT M8 02 PCS</p>	<p>8 HALF MOON WASHER 02 PCS</p>	<p>9 SPANNER N13 01 PC</p>	<p>10 HEXAGON NUT M8 01 PC</p>
				
<p>11 WASHER M9/22 02 PCS</p>	<p>TOOL REQUIRED</p> <p>PHILLIPS HEAD SCREW DRIVER NOT PROVIDED</p> 			
				

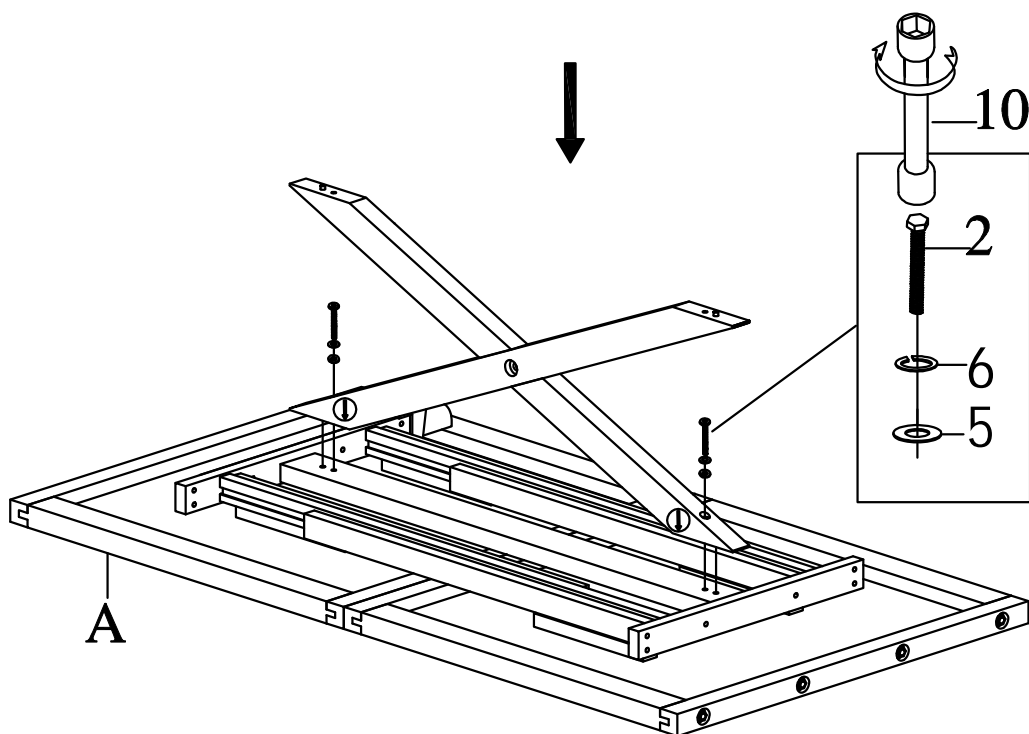
STEP 1:

FASTEN THE RAILS (E),(F) WITH THREAD BOLT (4) WASHERS (11), AND NUTS (7).



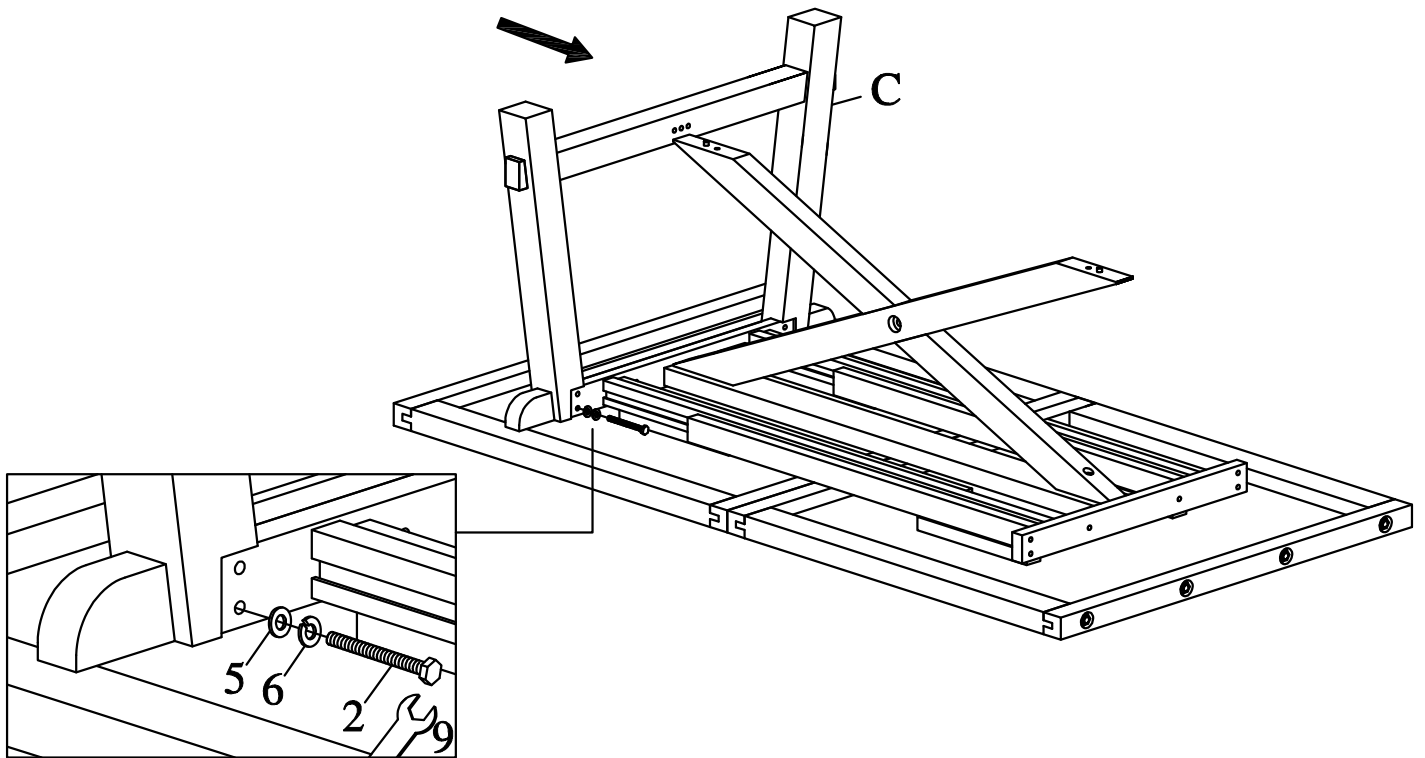
STEP 2:

ATTACH THE "X" BRACE TO THE TABLE TOP (A), FASTEN WITH BOLTS (2), WASHERS (5),(6).



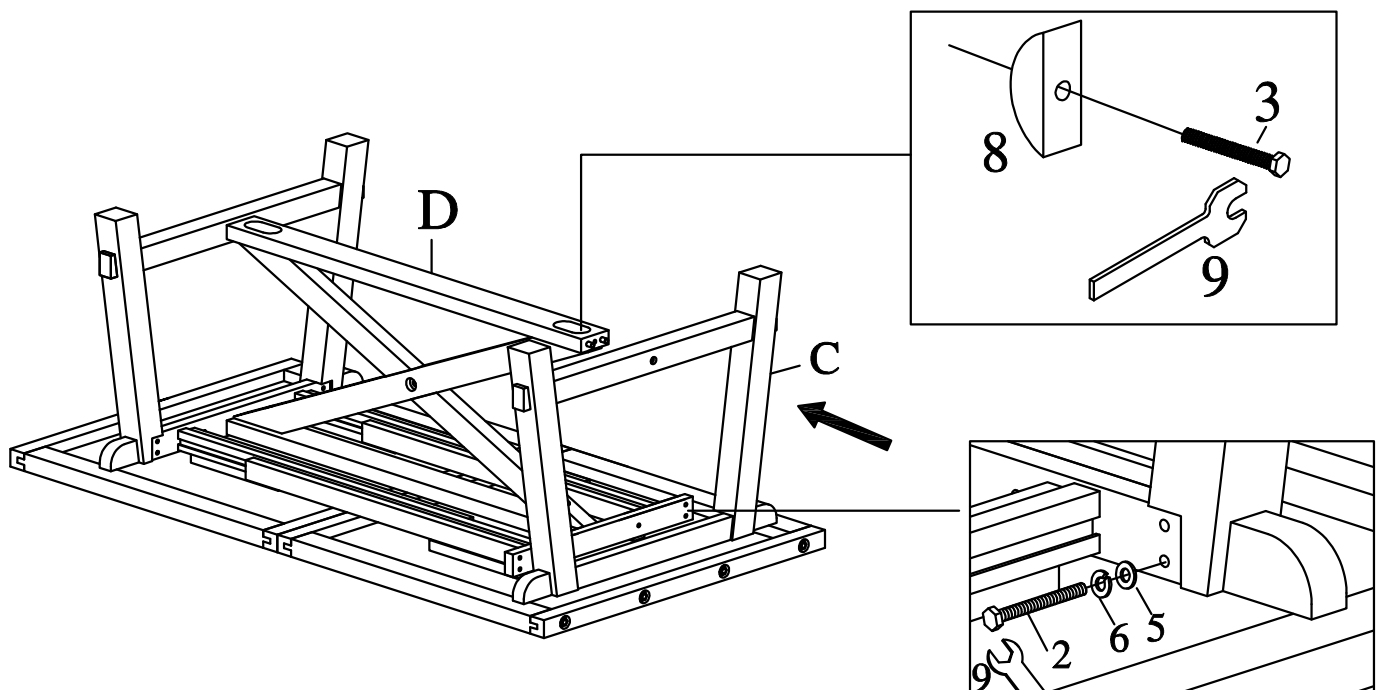
STEP 3:

INSERT THE LEG (C) TO THE TOP BOTTOM SIDE OF THE TABLE (A). FASTEN THE LEG (C) WITH BOLTS (2), WASHERS (5),(6).



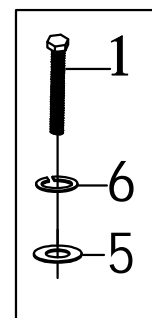
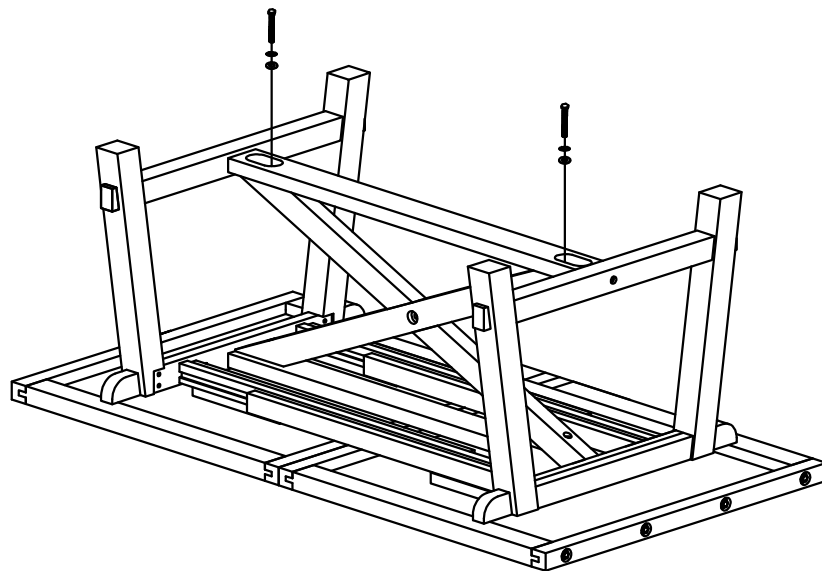
STEP 4:

INSERT THE CROSS BAR (D) TO "X" BRACE. FASTEN THE OTHER LEG (C) TO THE TABLE, WITH BOLTS (2), (3) WASHERS (5),(6) AND HALF MOON WASHER (8).



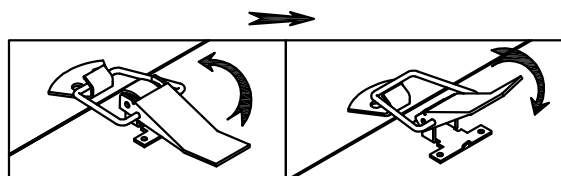
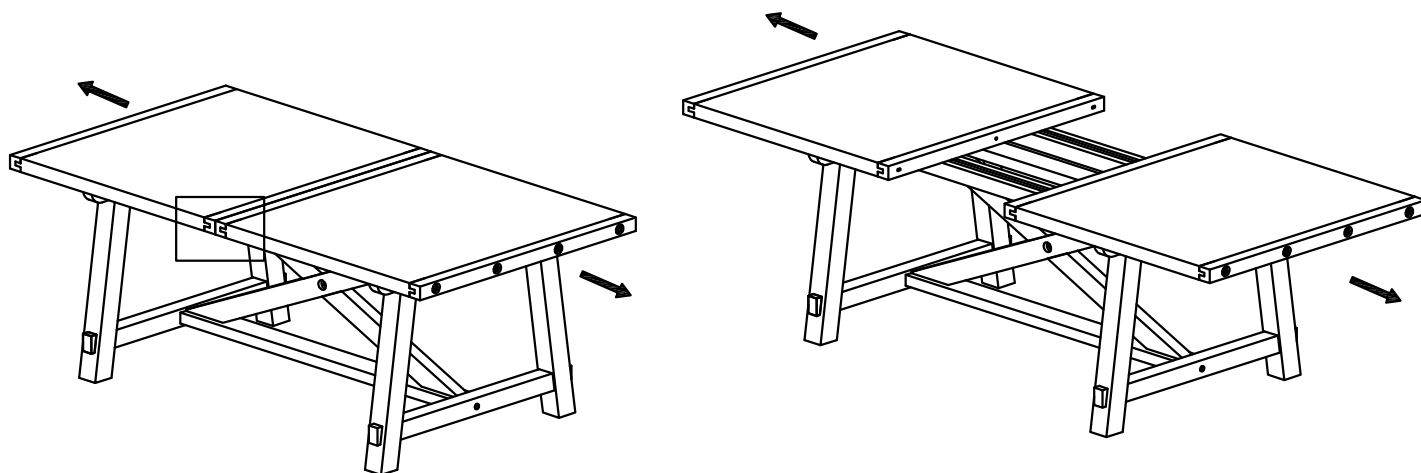
STEP 5:

**FASTEN THE CROSS BAR (D) WITH BOLTS (1), WASHERS (5),
SPRING WASHERS (6).**



STEP 6:

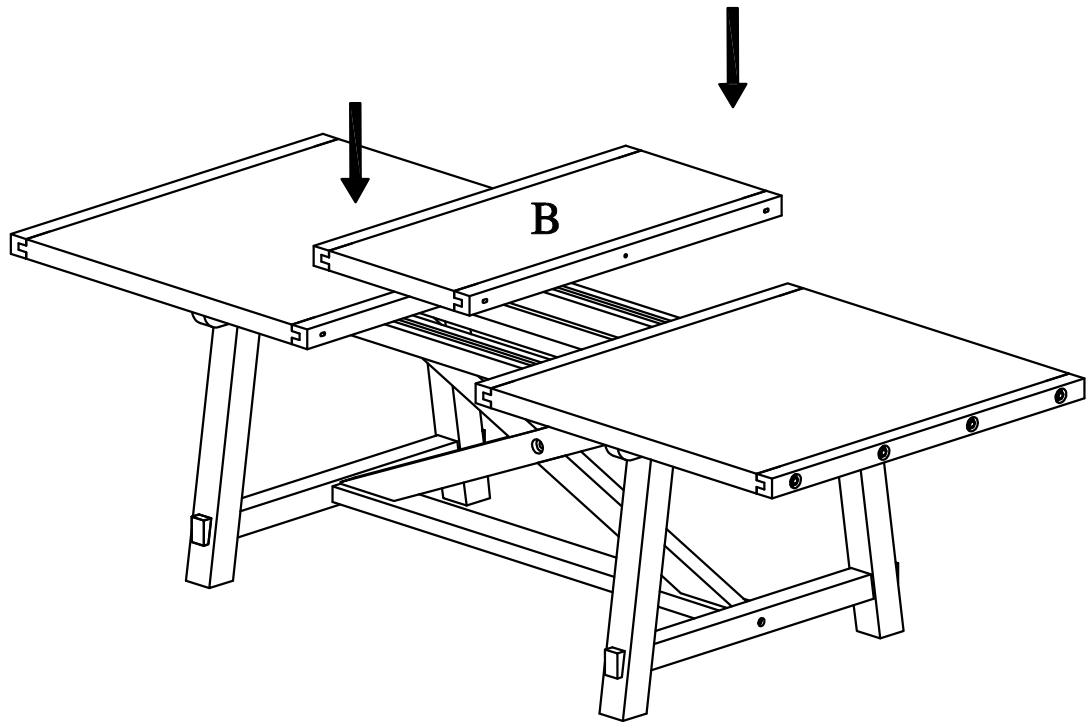
**TO ADD EXTENSION LEAF, SEPARATE TABLE HALVES BY
UN COUPLING, BRACKETS ON UNDERSIDE OF TABLE AND
PULL APART.**



UNLOCK

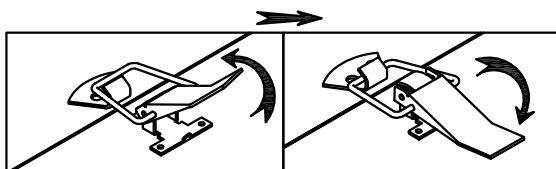
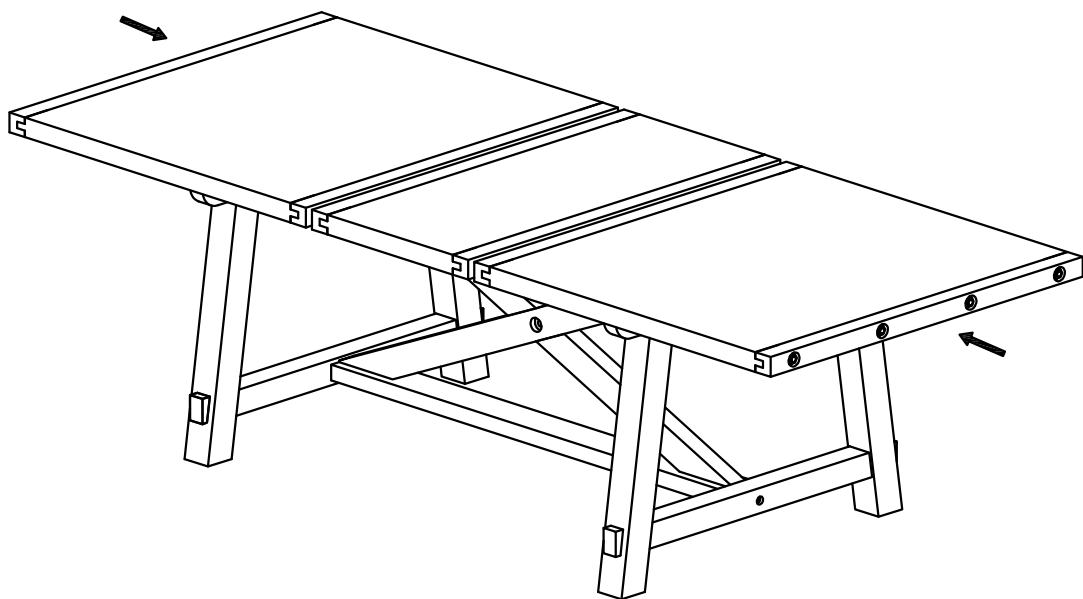
STEP 7:

ATTACH EXTENSION (B) TO THE TABLE TOP (A).



STEP 8:

PUSH TABLE HALVES BACK TOGETHER AND RECOUPLE BRACKETS ON UNDERSIDE OF TABLE.



LOCK

ASSEMBLY COMPLETE.