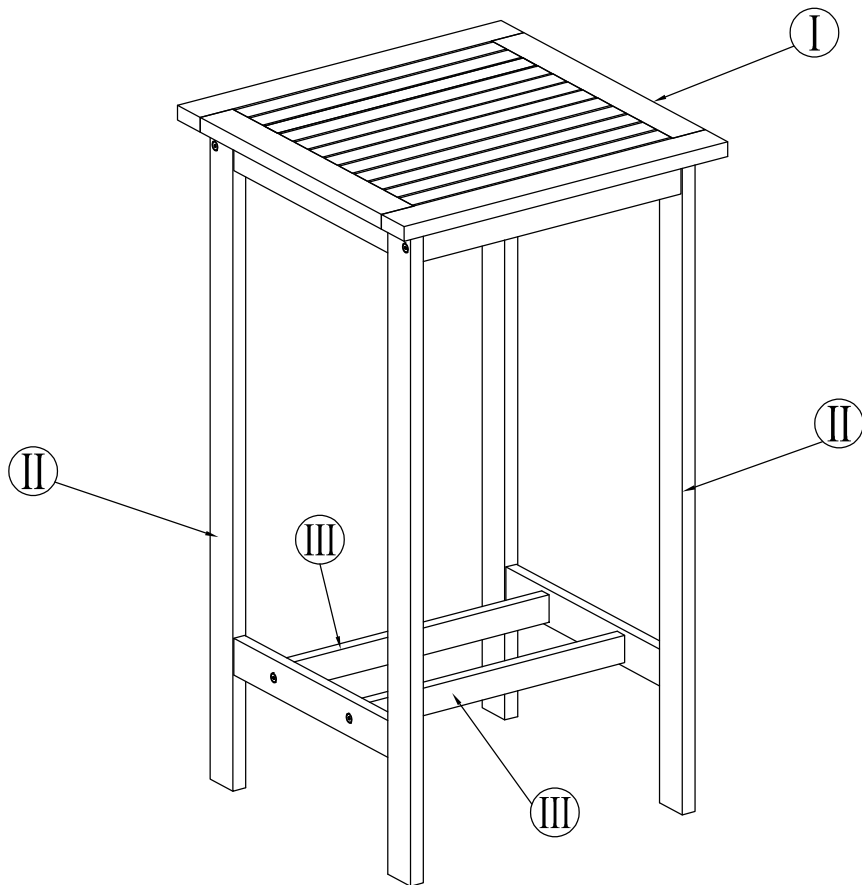


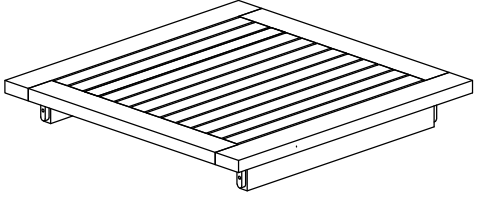
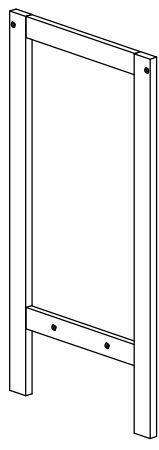
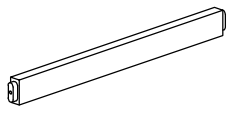
Maximum capacity : 50 kgs/110 Lbs







NOTE: 50% TIGHTEN BEFORE FIXING ALL BOLTS & SCREWS

COMPONENTS LIST

<p>Ⓘ</p>  <p>Q'ty 1</p>	<p>Ⓙ</p>  <p>Q'ty 2</p>	<p>Ⓚ</p>  <p>Q'ty 2</p>
--	--	--

HARDWARE LIST

A		8	Screw 7 x 60	D		2	Allen Key
---	---	---	--------------	---	--	---	-----------

Step 1

