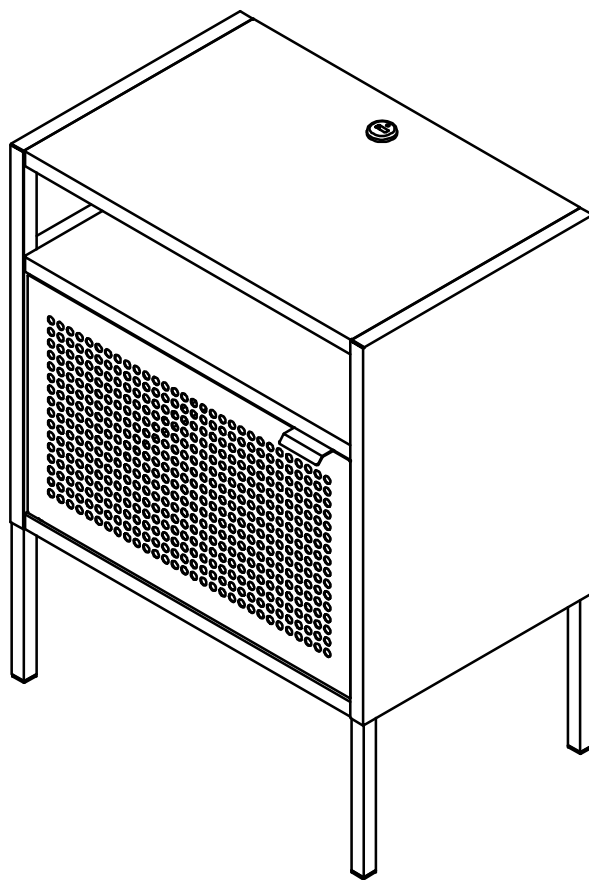
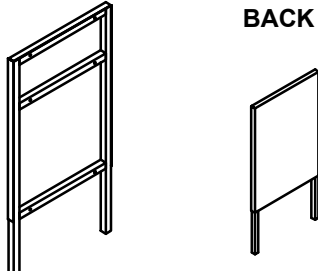
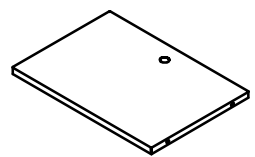
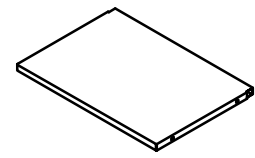
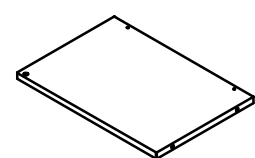
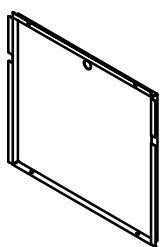


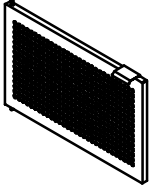

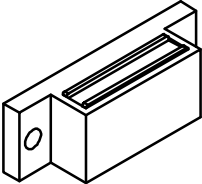



Nightstand WHITE NIGHSTAND W/ USB ASSEMBLY INSTRUCTIONS

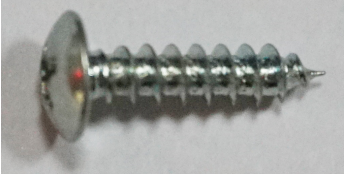




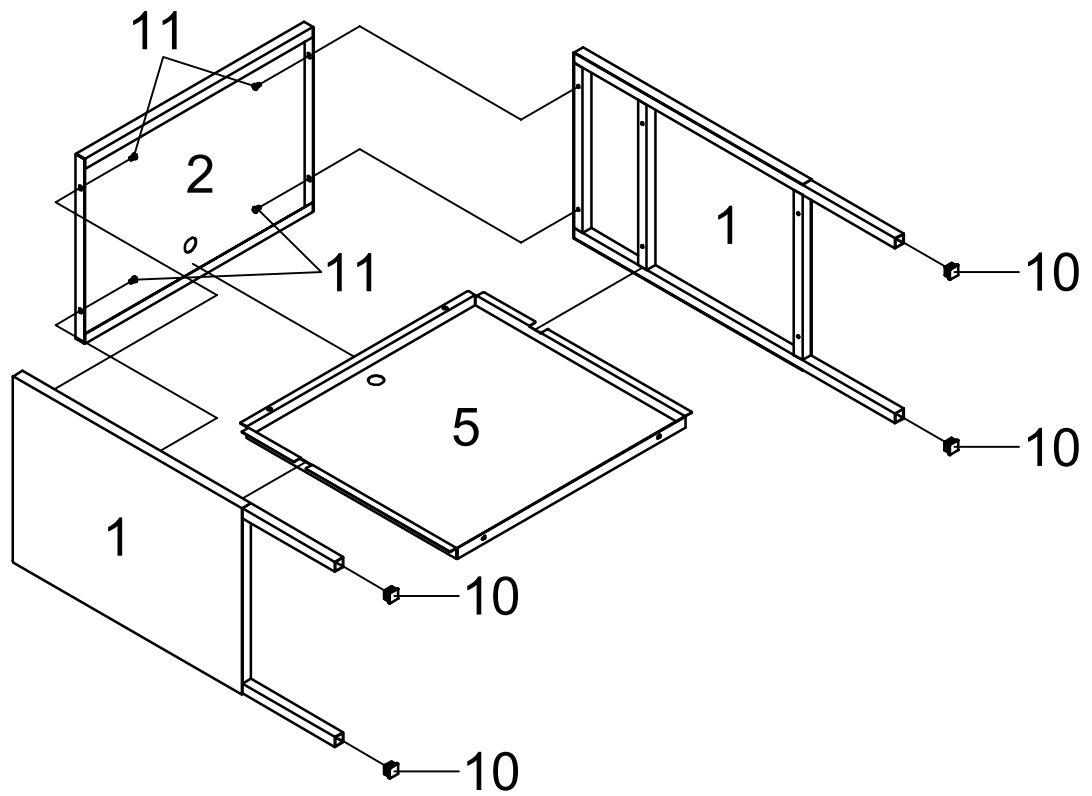
ASSEMBLY INSTRUCTIONS

Please identify and locate all assembly parts (see parts list) before discarding any packing materials.
Some parts may have become loose during transit.

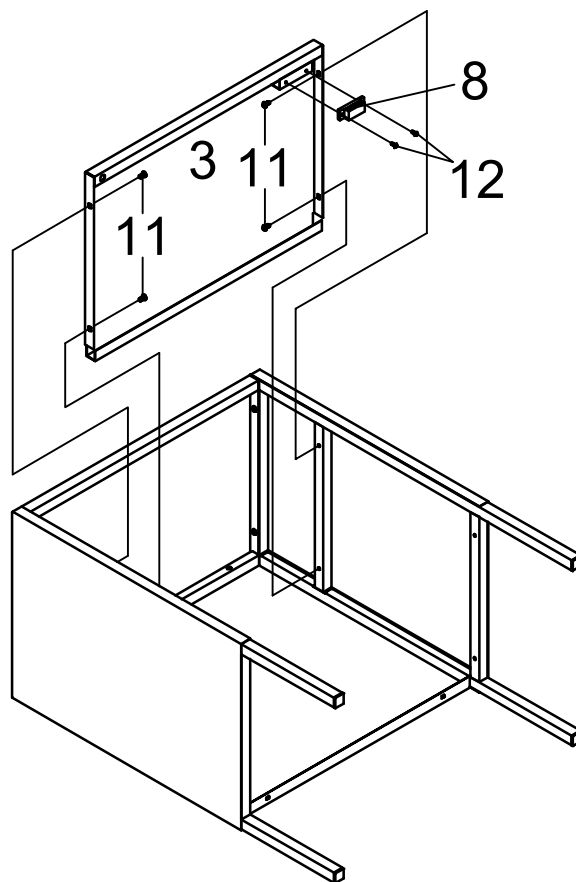
PARTS LIST			
NO.	SKETCH	DESCRIPTION	QYT
1	 <p style="text-align: right; margin-right: 50px;">BACK</p>	SIDE FRAME	2PCS
2		TOP PANEL	1PC
3		SHELF PANEL	1PC
4		BOTTOM PANEL	1PC
5		BACK PANEL	1PC

NO.	SKETCH	DESCRIPTION	QYT
6		DOOR PAENL	1PC
7		USB	1PC
8		DOOR BUCKLE	1PC
9		HINGE INSERT	2PCS
10		CAP 16 x 16mm	4PCS
11		SHORT BOLT 3/16" x 12mm	12PCS

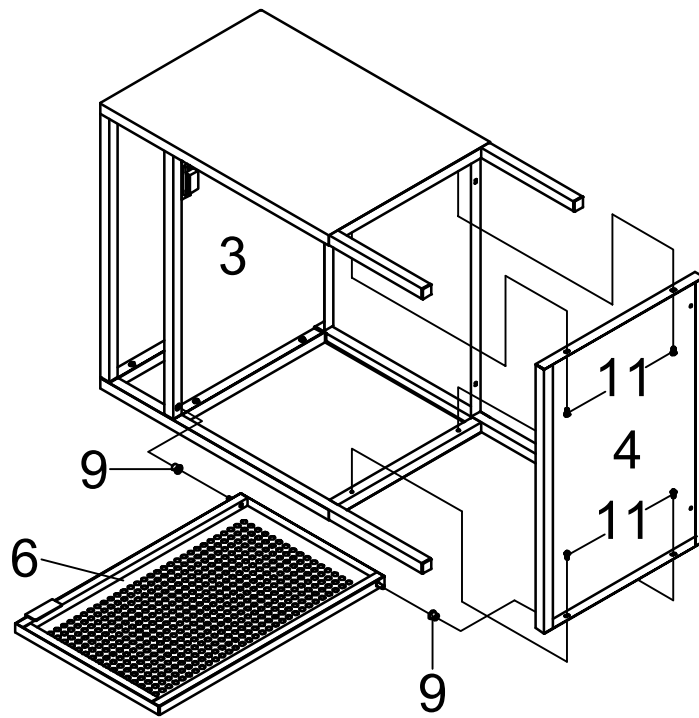
NO.	SKETCH	DESCRIPTION	QYT
12		<p align="center">SCREW 3 x 12mm</p>	2PCS
13		<p align="center">LONG BOLT</p>	2PCS
14		<p align="center">ALLEN KEY 4mm</p>	1PC



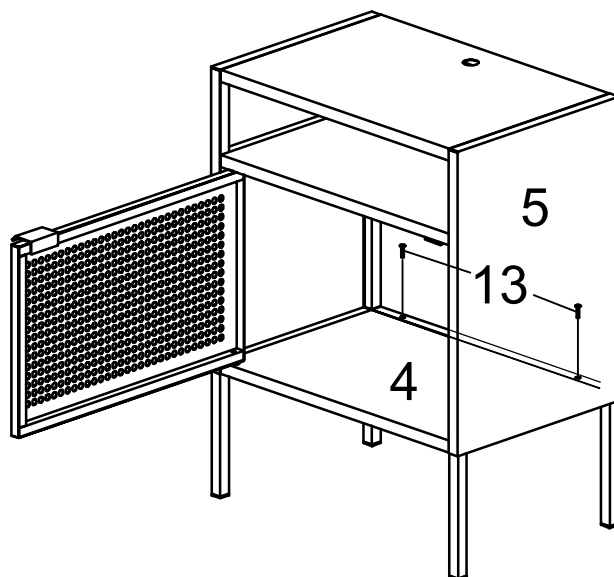
- Step 1: 1.Insert Cap (10) into Side Frame (1) as shown.
 2.Attach Back Panel (5) to Side Frame (1) as shown.
 3.Attach Top Panel (2) to the assemble in Step 1-2 using Short Bolt (11) as shown.



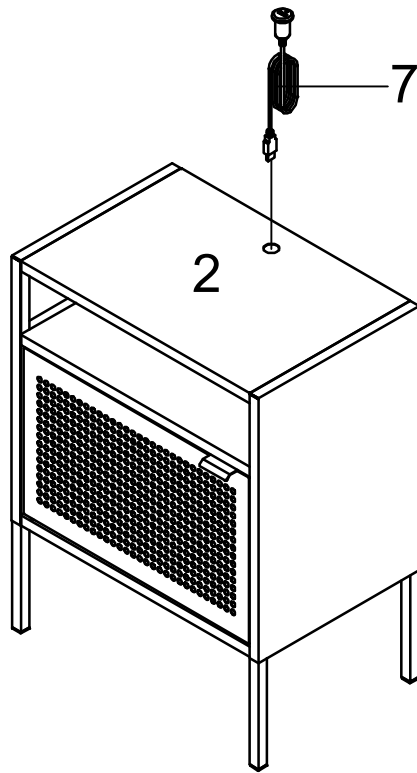
- Step 2: 1.Install Door Buckle (8) onto the Shelf Panel (3)
 2.Attach Shelf Panel (3) to the assemble in Step 1 using Short Bolt (11) as shown.



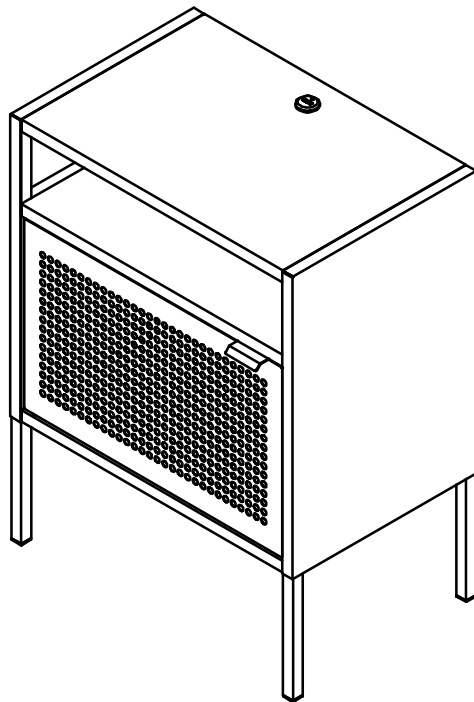
Step 3: 1. Insert Hinge Insert (9) into Shelf Panel (3) and Bottom Panel (4) as shown.
2. Install Door Panel (6) onto Hinge Insert (9) and then attach Bottom Panel (4) using Short Bolt (11).



Step 4: 1. Install Long Bolt (13) onto the hole as shown.



Step 5: Install Usb (7) onto the Top Panel (2) as shown.



Complete. Congratulations on your assemble success.