

# Instruction Manual

## Basin faucet&Bathtub faucet System



**Model:1381**



**Model:5525**



**Model:1220**



**Model:5934**

# Installation Condition

---



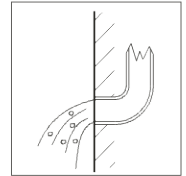
1.Refer to the 《Standard Part List》 when unpacking ,  
check all parts available .



2.Do not disassemble mixer body by yourself.

3.Connect inlet hoses to supply valves.

4.Make sure inlet pipes and supply valves have been  
installed and cleaned, also ensure no impurities in  
pipeline.

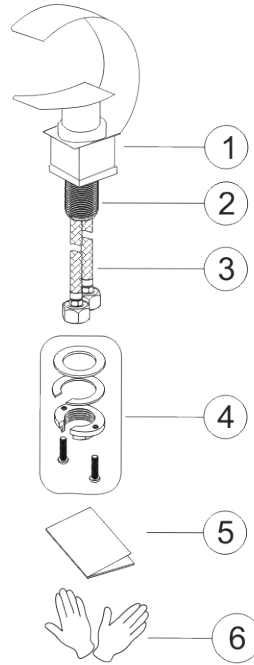


5.After installation , check all joints for leakages.

6.Suggest don't fit the faucet in the severely corrosive  
environments.

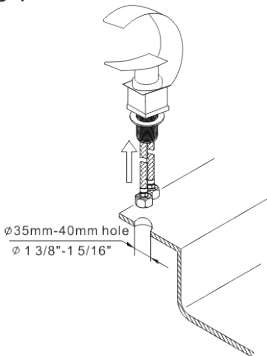
# Sing Basin Faucet Part List

S/N	Description	No.s
1	Body of mixer	1
2	Base installation part	1
3	Flexible hoses	2
4	Fixing nuts	1
5	Use's manual	1
6	Gloves	2



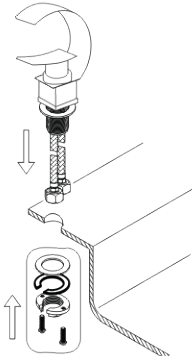
## Sing Basin Faucet Installation

step 1



Please make sure there is a hole with  $\varnothing 35\text{mm}-40\text{mm}$  ( $\varnothing 1\ 3/8''-1\ 5/16''$ ) on the sink. Then dismantle the fixing nuts from the mixer, and put on the gasket to the base installation parts.

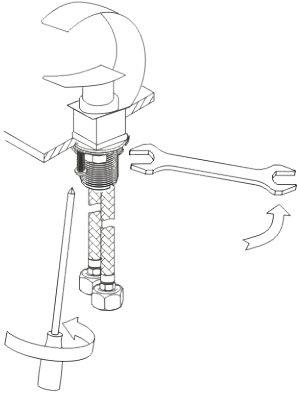
step 2



Put the mixer's body with flexible hoses onto the sink through the hole, then assemble the fixing nuts to the tap from the bottom.

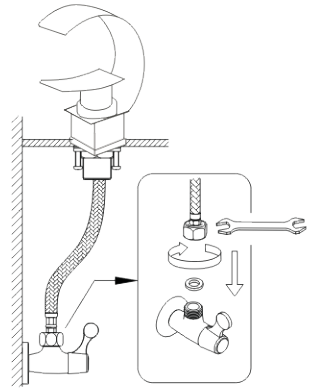
# Sing Basin Faucet Installation

step 3



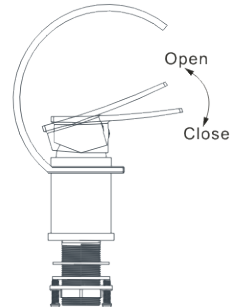
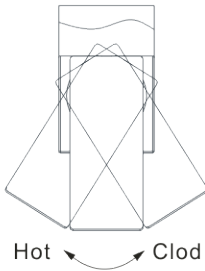
Fasten the fixing nuts by spanner, and tighten the cross screws on the fixing nuts by cross screwdriver.

step 4



Connect the two flexible hoses to the angle valves . Referring to the red and blue point signals on the handle, please connect them to hot water valve and cold water valve accordingly.

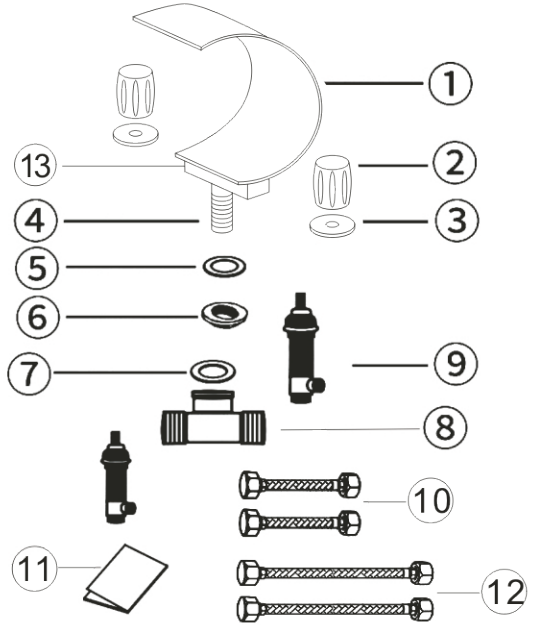
step 5



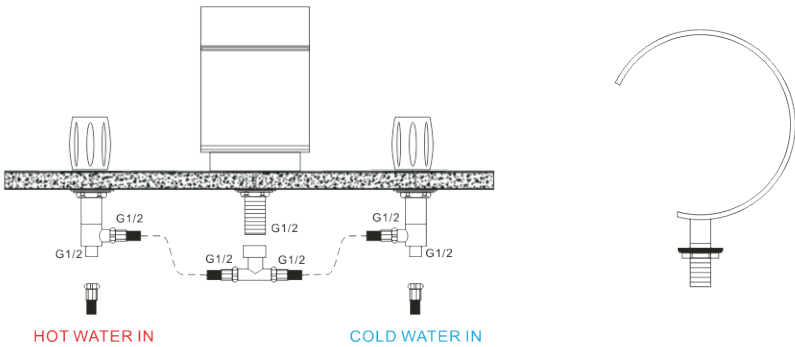
1. Operating handle gradually is better for valve protection.
2. Lift handle will turn on faucet, the wider the lifting angle, the stronger the water flows or vice versa, When handle is lifted, rotating handle lever towards left will allow greater hot water flows, rotating handle lever towards right will allow greater cold water flows.

# Three Hole Basin Faucet Standard Part List

NO	Part Name	Quantity
1	Waterfall body	1
2	Handle	2
3	Decorate Seat	2
4	Connector	1
5	Waterfall Body Gasket	1
6	Mounting Nut	1
7	Tee Gasket	1
8	Tee	1
9	Control Water Body	2
10	Inlet Hose	2
11	Instruction Manual	1
12	Hot and cold hose	2
13	Waterfall Fised Base	1

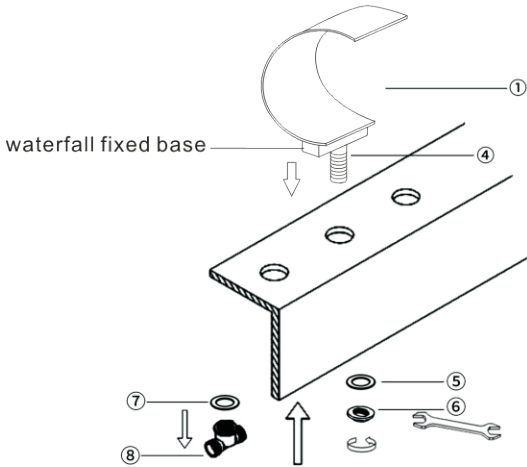


## Hose Connection Travel



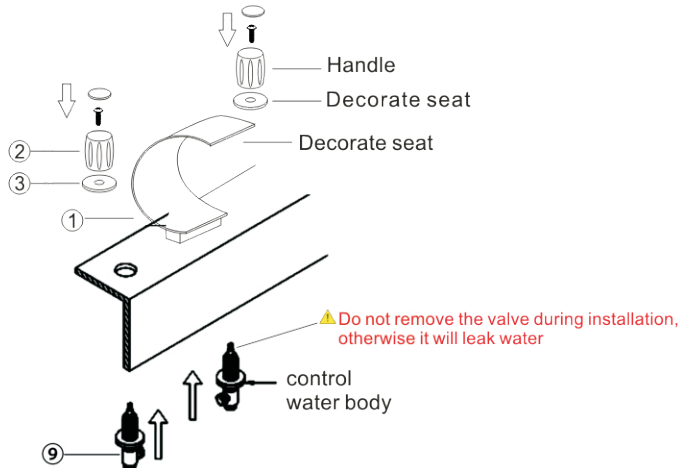
# Three Hole Basin Faucet Installation

step 1



Connect Brass ④ with waterfall Body ① and put the Brass Part ④ through the basin hole. Install Faucet Body Gasket⑤ and Mounting Nut ⑥ in sequence and tighten the nut with a wrench. Then put Tee Gasket ⑦ into Tee ⑧ and connect Tee ⑧ to Brass Part ④.

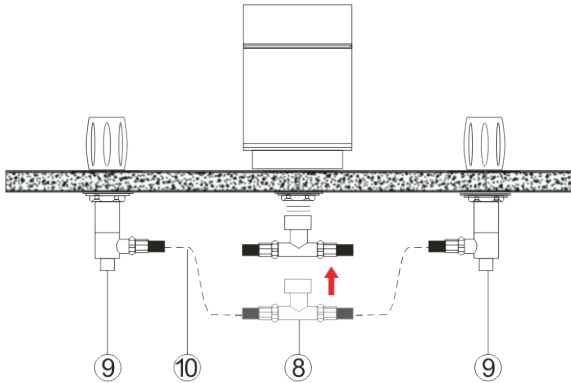
step 2



Remove the Decorate Seats ③ and put them on the basin holes. Connect the Control Water Bodies ⑨ with Decorate Seats ③ from the underside of the basin holes, and tighten them. Finally install the Handles ② and tighten them. (Not to disassemble the valve by yourself, otherwise leakage will occur.)

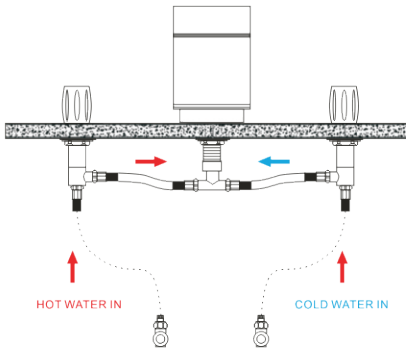
# Three Hole Basin Faucet Installation

step 3



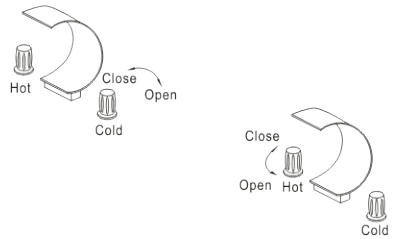
Connect one side of the Inlet Hoses ⑩ to the Control Water Bodies ⑨, the other side to Tee ⑧, and tighten them. The red hose is for hot water and the blue hose is for cold water.

step 4



Separately connect another two inlet hoses (please buy them by yourself) to angle valves and control water bodies, left connect to the hot water, right connect to cold water.

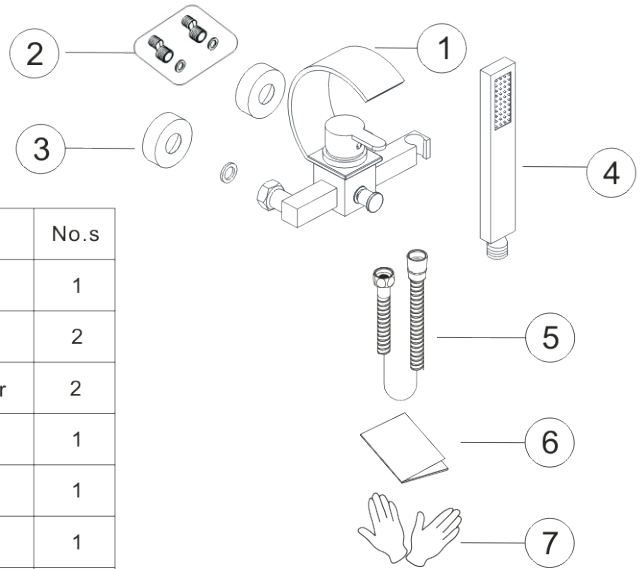
## Basin Faucet Application Instruction



1. Operating handle gradually is better for valve protection.
2. The handles turn right or left is to open or close, The larger the rotation angle, the larger the flow rate, Conversely, the smaller the rotation angle, the smaller the flow rate, Mixer warm water when the cold water handle and the hot water handle are opened at the same time.

# Wall Mount Bathtub Faucet Part List

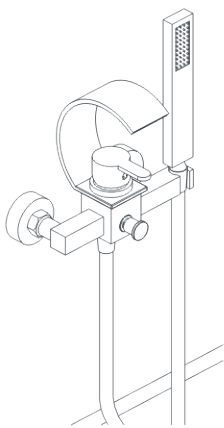
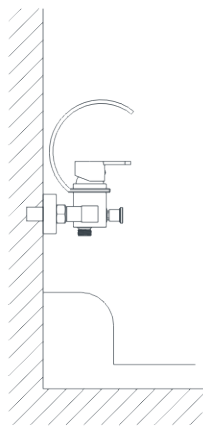
S/N	Description	No.s
1	Faucet Body	1
2	S-Union	2
3	Decoration cover	2
4	Hand shower	1
5	Shower hose	1
6	User's manual	1
7	Gloves	2



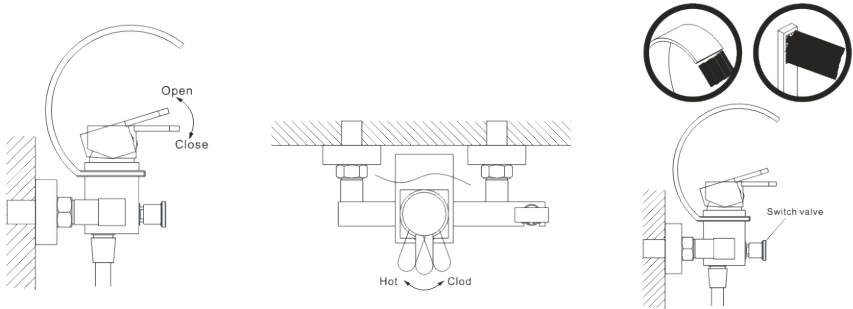
## Wall Mount Bathtub Faucet Installation

<p><b>step 1</b></p> <p>150MM 5 14/16"</p> <p>hot water connector</p> <p>cold water connector</p> <p>S-union</p>	<p><b>step 2</b></p>
<p>After wrapping the tape, connect the S-union to the water outlet connector.(The distance between the hot water outlet and cold water outlet connector is 150mm, the height apart from floor should be fixed according to the bathtub height).</p>	<p>Screw the decoration cover onto the S-union. Then install the mixer's body to the S-union via the two connecting nuts, and fix them by spanner.(Note: wrapping some tapes on the spanner is suggested to avoid scratching the product surface).</p>

# Wall Mount Bathtub Faucet Installation

<p>step 3</p> 	<p>step 4</p> 
<p>Then mount the shower hose to the mixer and hand shower.</p>	<p>The above installation instruction is also applicable to the shower mixer's installation.</p>

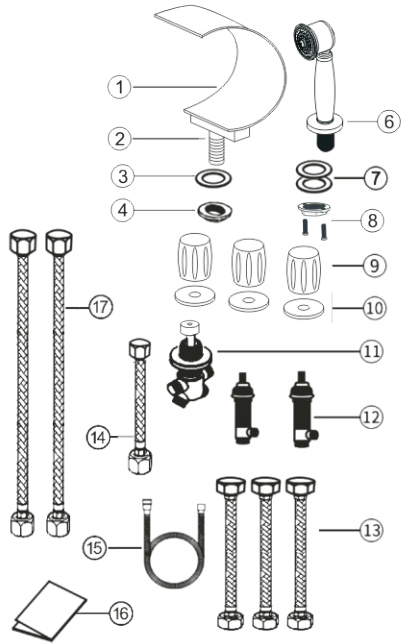
## step 5



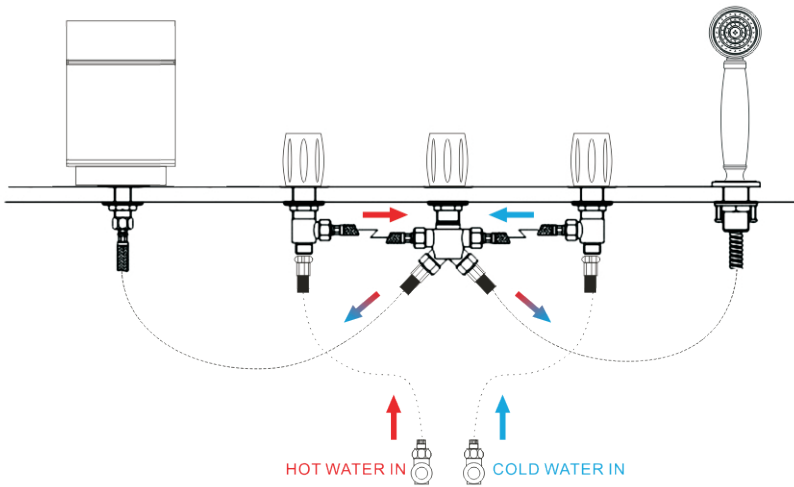
1. Open water valve to check if there is any leakage.
2. When turning the handle upward, the valve is open. And the turning angle can control water outflow. the user can turn it to the left or right to regulate the water temperature.
3. Normally water will go out from the spout firstly by default. And the user can switch it to the hand shower by pulling the switch valve (as right illustration). This switch can reset automatically after closing water.

# Bathtub Faucet Standard Part List

NO	Part Name	Quantity
1	Faucet Body	1
2	Brass Connector	1
3	Faucet Body Gasket	1
4	Mounting Nut	1
5	Hand Shower	1
6	Hand Pedestal	1
7	Pedestal Gasket	2
8	Mounting Nut	1
9	Handle	3
10	Decorate Seat	3
11	Transforms Control Valve	1
12	Control Water Body	2
13	Inlet Hose	3
14	Shower Connect Hose	1
15	Shower Hose	1
16	Instruction Manual	1
17	Hot and Cold Hose	2

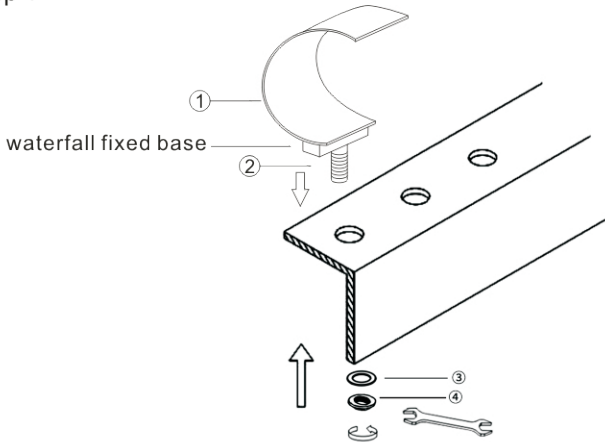


# Hose Connection Travel



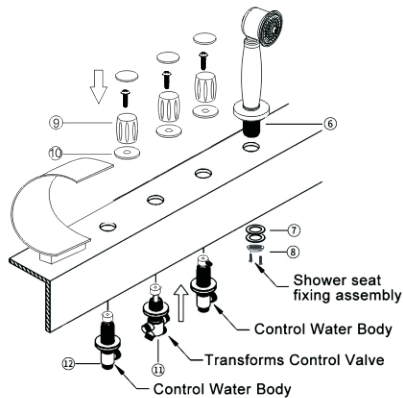
# Bathtub Faucet Installation

## step 1



Connect Brass Parts ② with Faucet Body ① and put the Brass Part ② through the hole. Install Faucet Body Gasket ③ and Mounting Nut ④ in sequence and tighten the nut with a wrench.

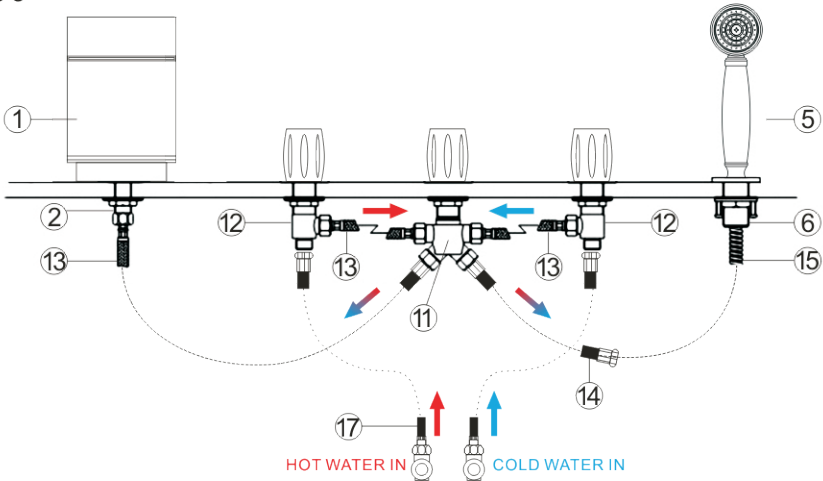
## step 2



Remove the Decorate Seats ⑩ and put them on the bathtub holes. Connect Transform Control Valve ⑪ and Control Water Bodies ⑫ with Decorate Seats ⑩ from the underside of the bathtub holes, and tighten them. Then install the Handles ⑨ and tighten them. Hand Pedestal ⑥ installation: Remove Pedestal Gaskets ⑦ and Mounting Nute ⑧. Connect them with Hand Pedestal ⑥ from the underside of the bathtub holes, and tighten Mounting Nut ⑧ with a wrench. (Not to disassemble the valve by yourself, otherwise leakage will occur. Left Control Water Body ⑫ connects to the hot water, right connects to cold water.)

# Bathtub Faucet Installation

step 3



Install Hot and Cold Hoses ⑬ as the above drawings. Connect one side of Hot and Cold Hoses ⑬ with Transforms Control Valve ⑪, the other side to Control Water Bodies ⑫. Left is to hot water, right is to cold water. One side of Shower Hose ⑮ is connected to Hand Shower ⑤, the other side is connected to the Shower Connect Hose ⑭ through Hand Pedestal ⑥. Then the other side of Shower Connect Hose ⑭ is connected to Transforms Control Valve ⑪. Finally one side of Body Connect Hose ⑬ is connected with Brass Part ②, the other side is connected to Transforms Control Valve ⑪, and tighten them. Separately connect another two inlet hoses to angle valves and Control Water Bodies ⑫.

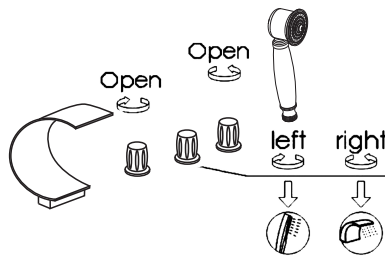


Adjust the handwheel installation position according to your own preference

# Bathtub Faucet Application Instruction

---

- 1: The middle one of the Handles 9 is control water diversion of the Faucet Body 1 and Hand Shower 5. Turn left, water comes out from the Hand Shower 5; turn right, water comes out from the Faucet Body 1.
- 2: Operating handle gradually is better for valve protection.
- 3: The handles 9 turn right or left is to open or close. The larger the rotation angle, the larger the flow rate. Conversely, the smaller the rotation angle, the smaller the flow rate. Mixed warm water when the cold water handle and the hot water handle are opened at the same time.
- 4: Turn on the water supply, check all connect points if leaking. If leaking, tighten it. Now the faucet is ready for using.



## Care and Maintenance

---

In order to keep the mixer surface bright , please clean the mixer regularly.

Rinse faucet with clean water and wipe with soft cotton cloth.

Avoid using cleaning powder , harsh cleaning chemicals, brushes, and cloth with coarse surface to prevent scratching and corrosion.

Do not use acid cleaner to clean the faucet as it may cause surface corrosion of the faucet. If the faucet comes into contact with harmful acid substances, please rinse it with water immediately.



### **If a large-scale clean-up is necessary, follow these procedures:**

---

1: Use clean water and soft cloth to remove dirt on the surface as much as possible.

2: Use one of the following cleaners to remove dirt on the surface

Mild liquid cleaner.

Colorless glass cleaner, powder cleaner which does not have abrasive function and can be dissolved completely.

Polish liquid which does not have abrasive function.

3: After cleaning, remove the cleansing agent with clean water completely and wipe with soft cotton cloth.