

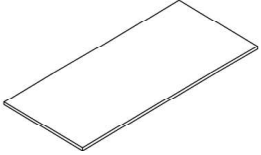
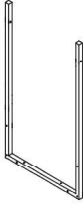
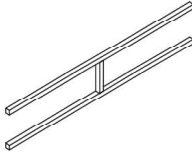
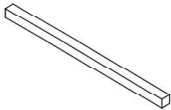
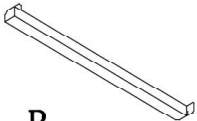
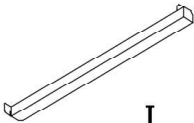
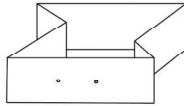

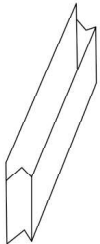
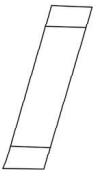
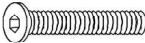


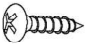
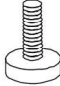



ASSEMBLY INSTRUCTION


Attention: Do not tighten the screws until all of them are in right positions.

1. It's recommended to have two people for the installation, this will significantly improve your efficiency.

2. Before you begin: lay out all of the parts on a non-abrasive surface to identify the number tags in the manual and count before assembly. Please use the screws correctly to avoid popping the desk panel.

3. For a smooth assembly process, we suggest you keep a little tightness for all the screws during assembly. After the whole desk is assembled, firmly tighten all the screws.

<p>①</p>  <p>x1</p>	<p>②</p>  <p>x2</p>	<p>③</p>  <p>x2</p>	<p>④</p>  <p>x2</p>
<p>⑤</p>  <p>R</p> <p>x2</p>	<p>⑥</p>  <p>L</p> <p>x2</p>	<p>⑦</p>  <p>x2</p>	<p>⑧</p>  <p>x2</p>
<p>⑨</p>  <p>x1</p>	<p>⑩</p>  <p>x1</p>	<p>A</p>  <p>M6*40mm x12</p>	<p>B</p>  <p>Desktop Lock Specialized M6*28mm x4</p>
<p>C</p>  <p>M6*15mm x4</p>	<p>D</p>  <p>M5*12mm x4</p>	<p>E</p>  <p>x4</p>	<p>F</p>  <p>x2</p>
<p>G</p>  <p>x2</p>	<p>H</p>  <p>x1</p>		

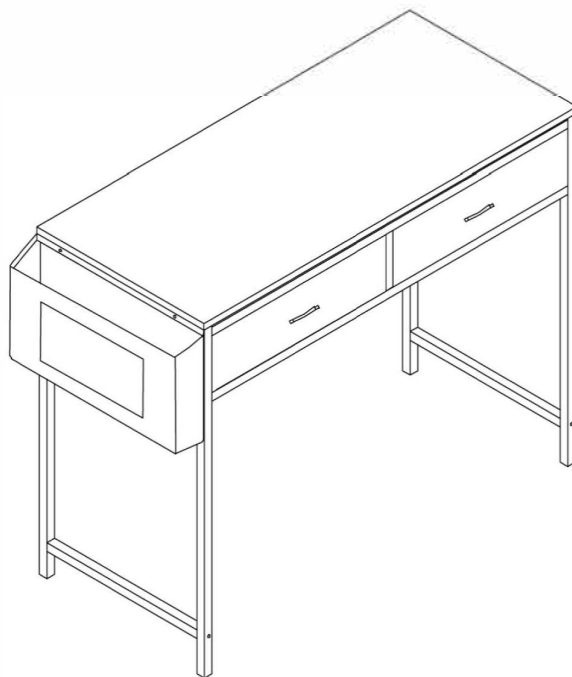
 Note: The desktop can only be fixed with **screws B with different colors !**
Please use the correct screws for assembling.

Thank you for choosing our product .

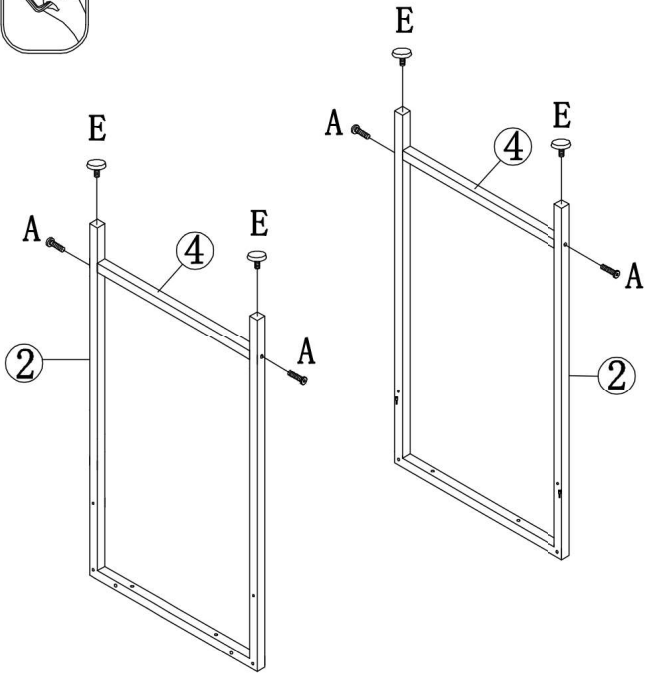
If any parts are received damaged or defective, please contact us.

We will make sure to send you replacement parts ASAP to guarantee you get the fully functional product.

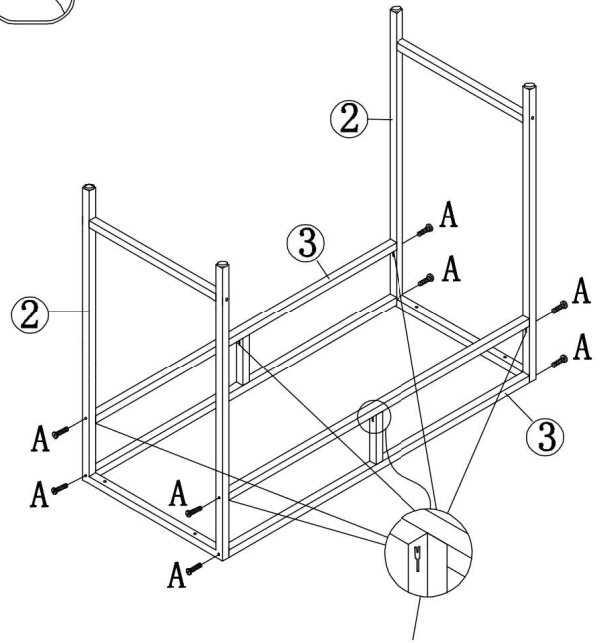
Your satisfaction is our highest pursuit.



step 1



step 2

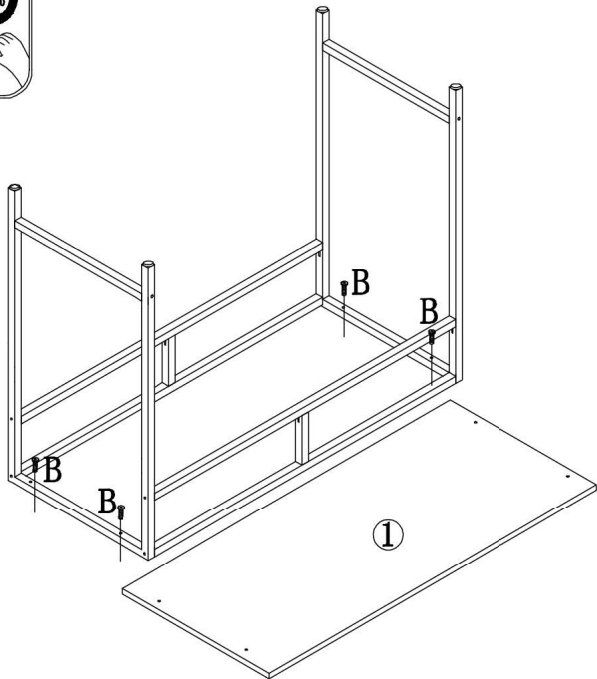


The hole of ② and ③ are at the same height

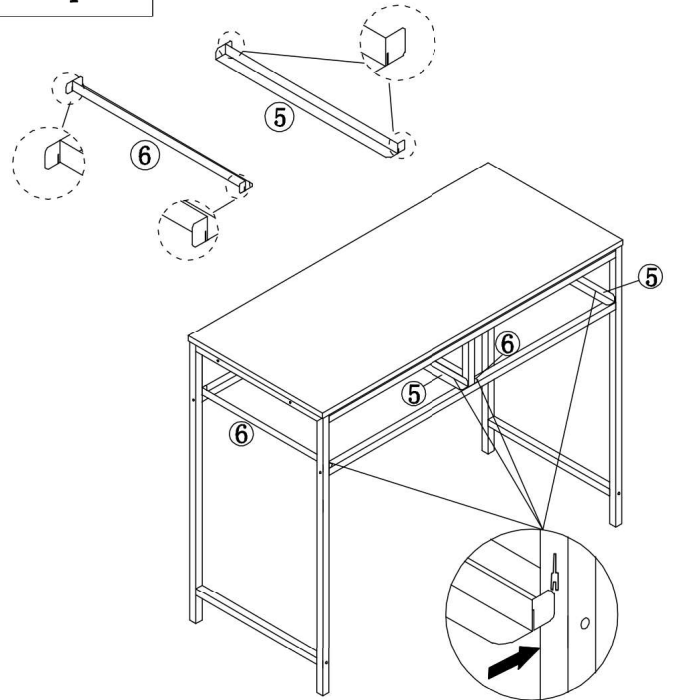
②	x	2	A	x	4
④	x	2	E	x	4

③	x	2
A	x	8

step 3



step 4

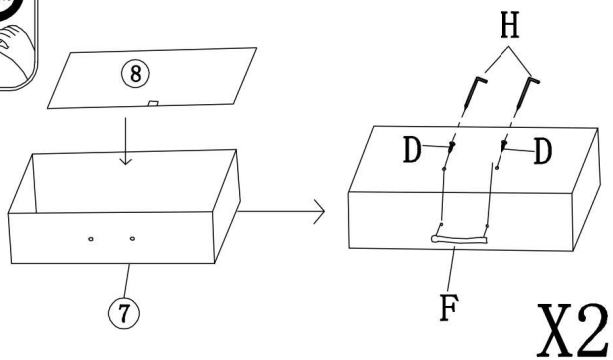


Insert ⑤ and ⑥ into the hole, press down and then push forward to lock them in place.

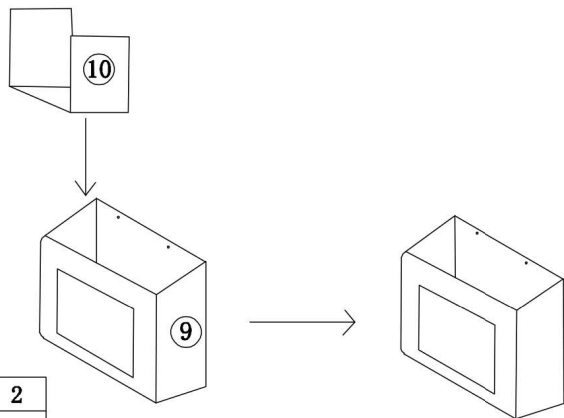
①	x	1
B	x	4

⑤	x	4
⑥	x	4

step 5

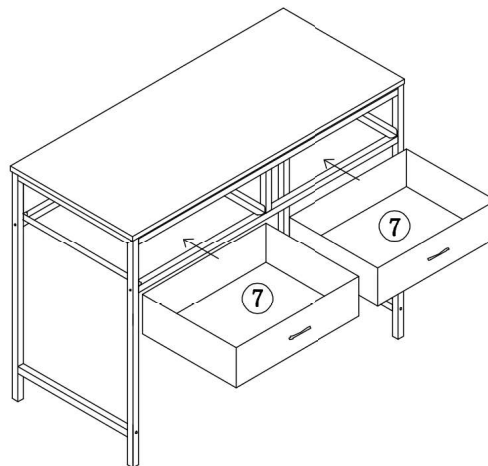


X2



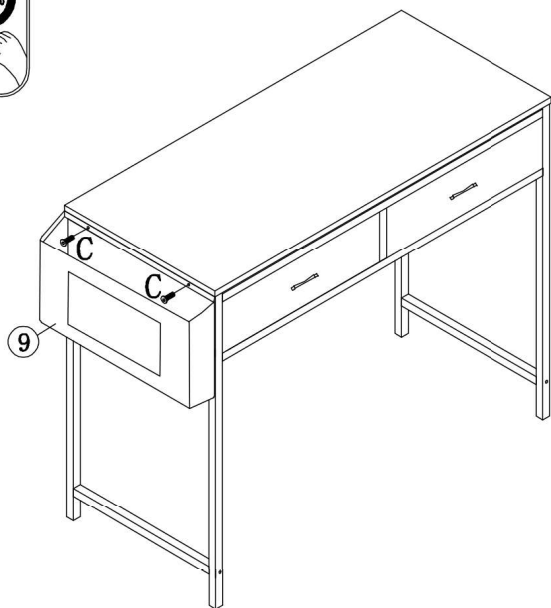
⑦	x 2	D	x 4
⑧	x 2	F	x 2
⑨	x 1		
⑩	x 1		

step 6



step 7

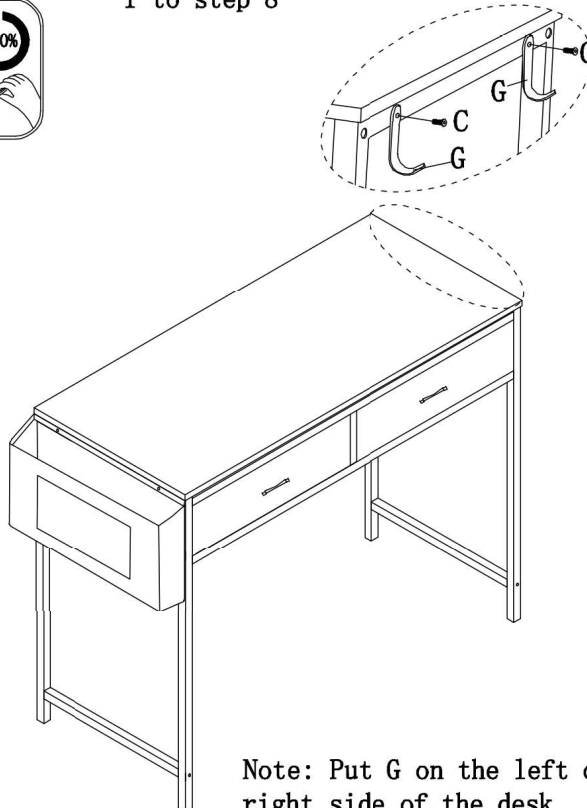
Tighten all the screws from step 1 to step 7



Note: Put ⑨ on the left or right side of the desk according to your need.

step 8

Tighten all the screws from step 1 to step 8



Note: Put G on the left or right side of the desk according to your need.

G	x 2
C	x 2

C	x 2
---	-----