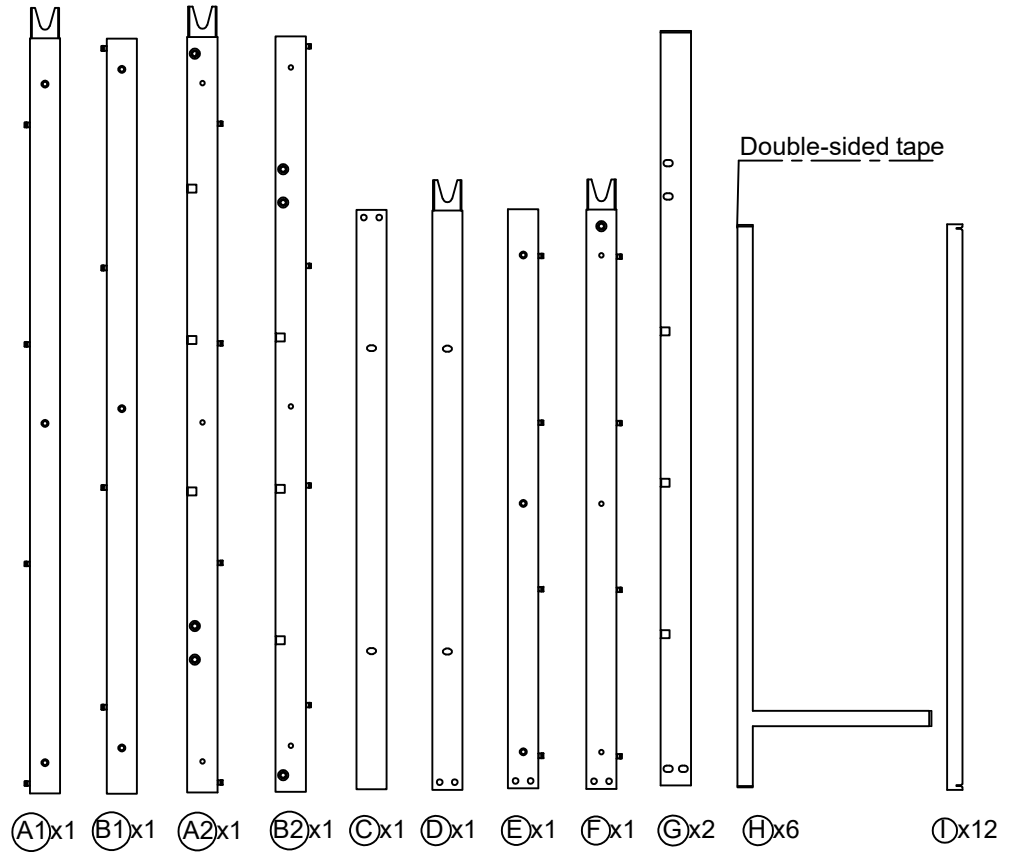
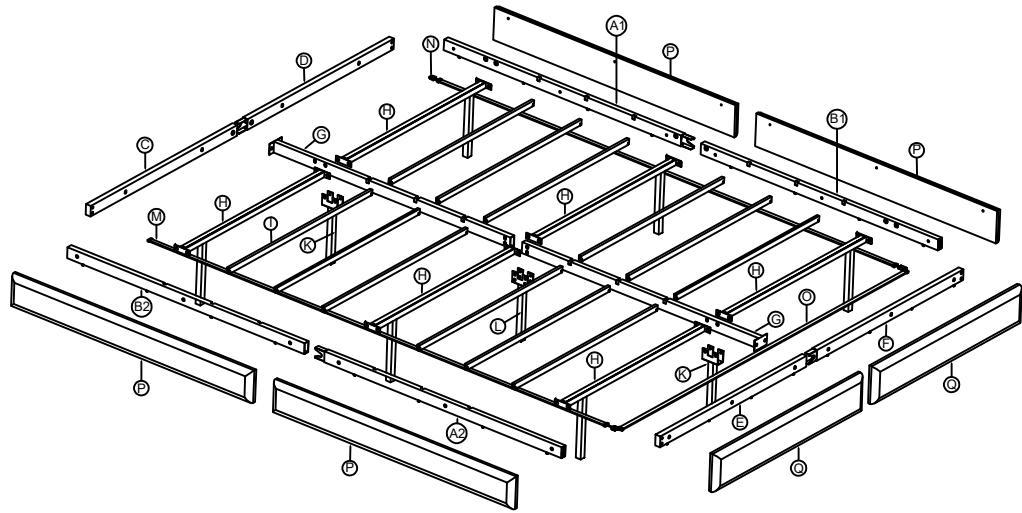


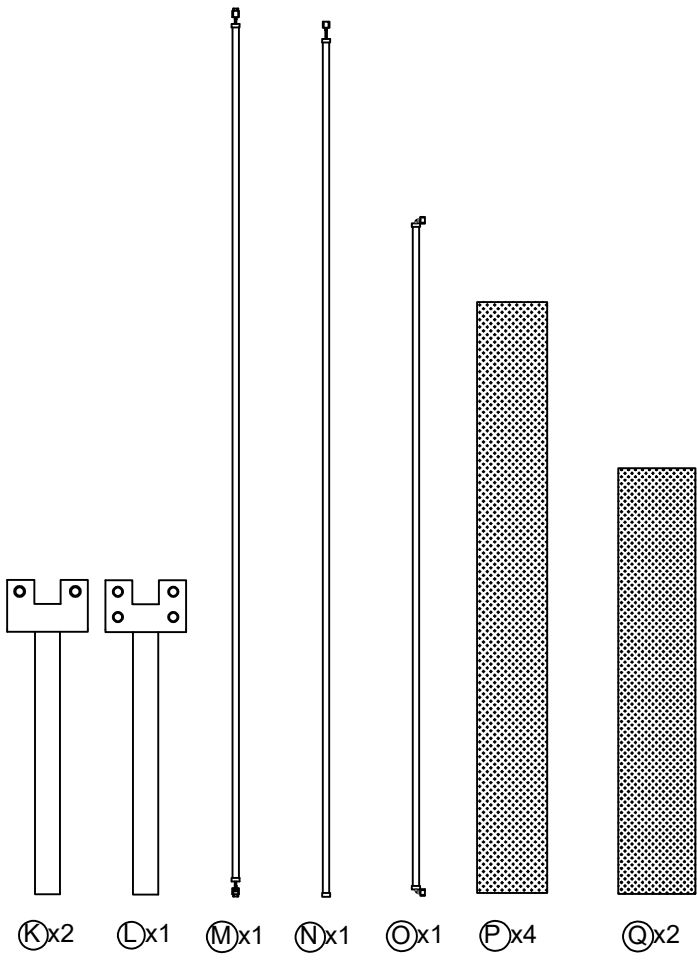
Model:C236-QB-FH

PRODUCT GUIDE AND INSTALLATION MANUAL

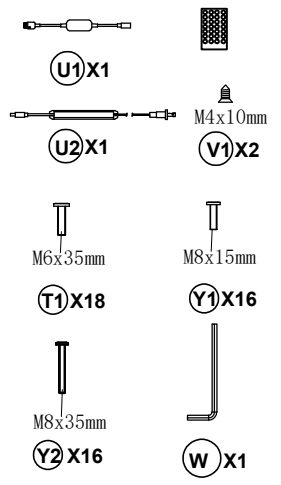
Parts List:



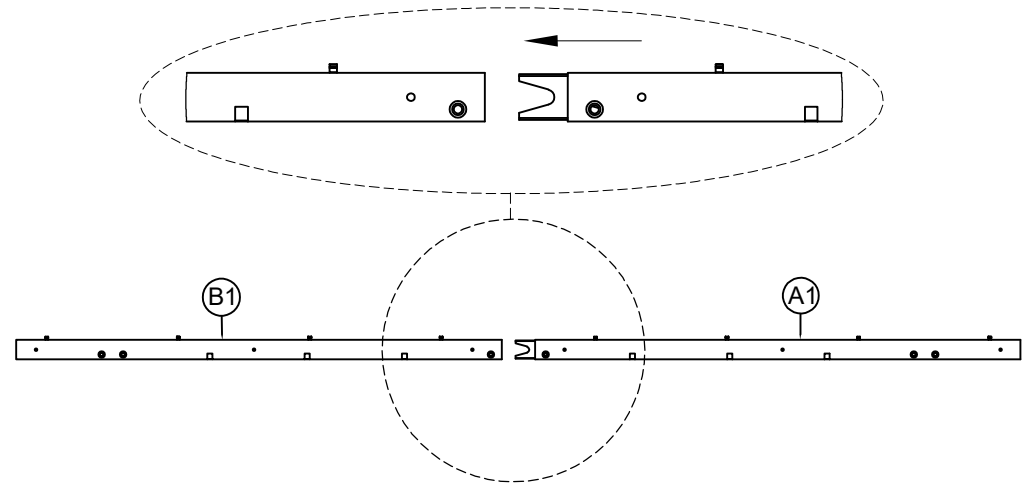
Parts List:



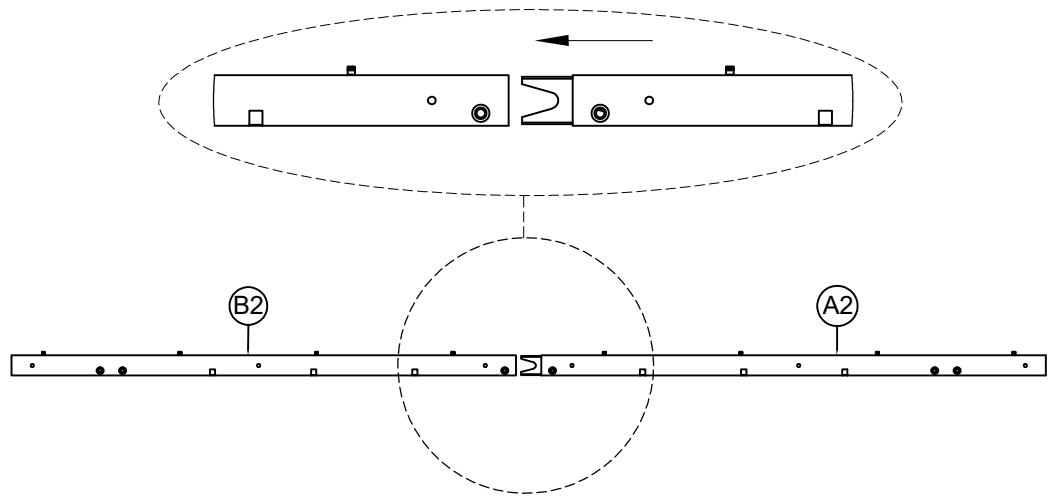
M-N-O (Lamp string)



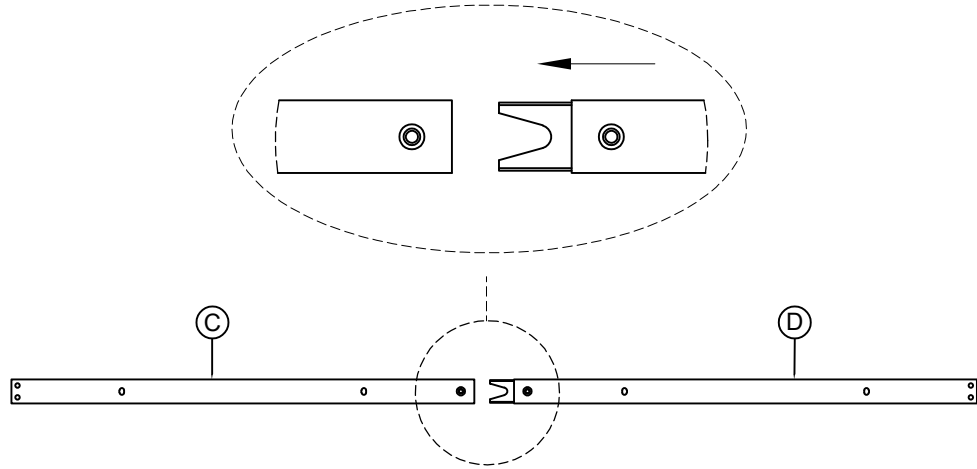
Step 1



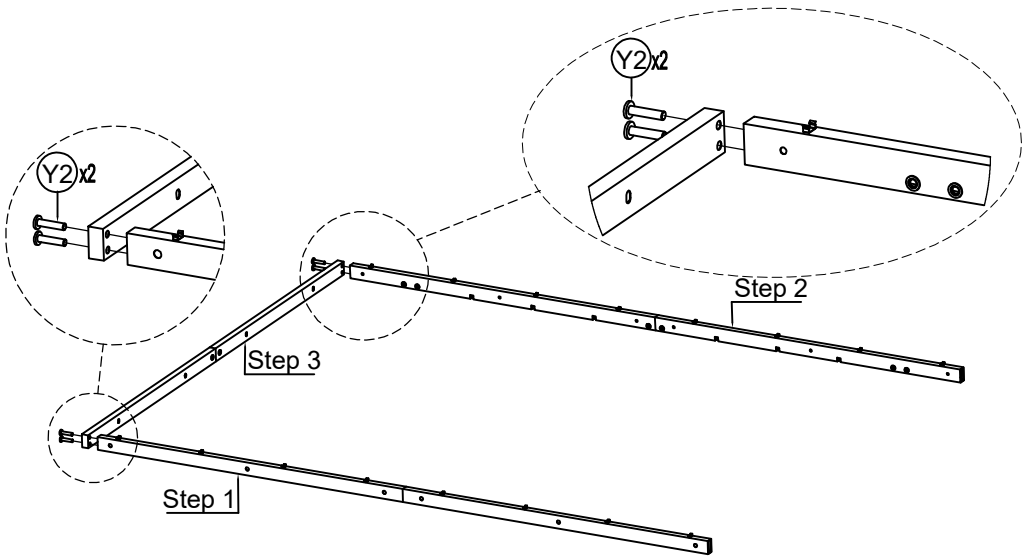
Step 2



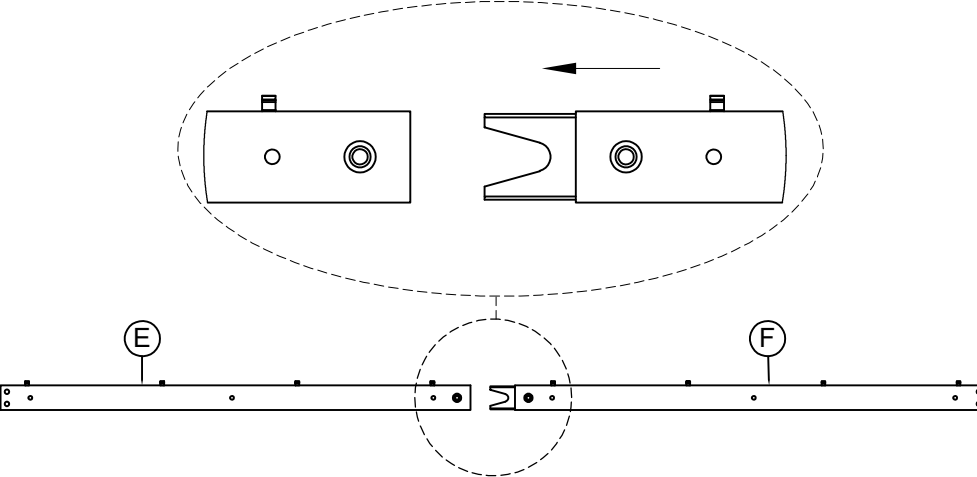
Step 3



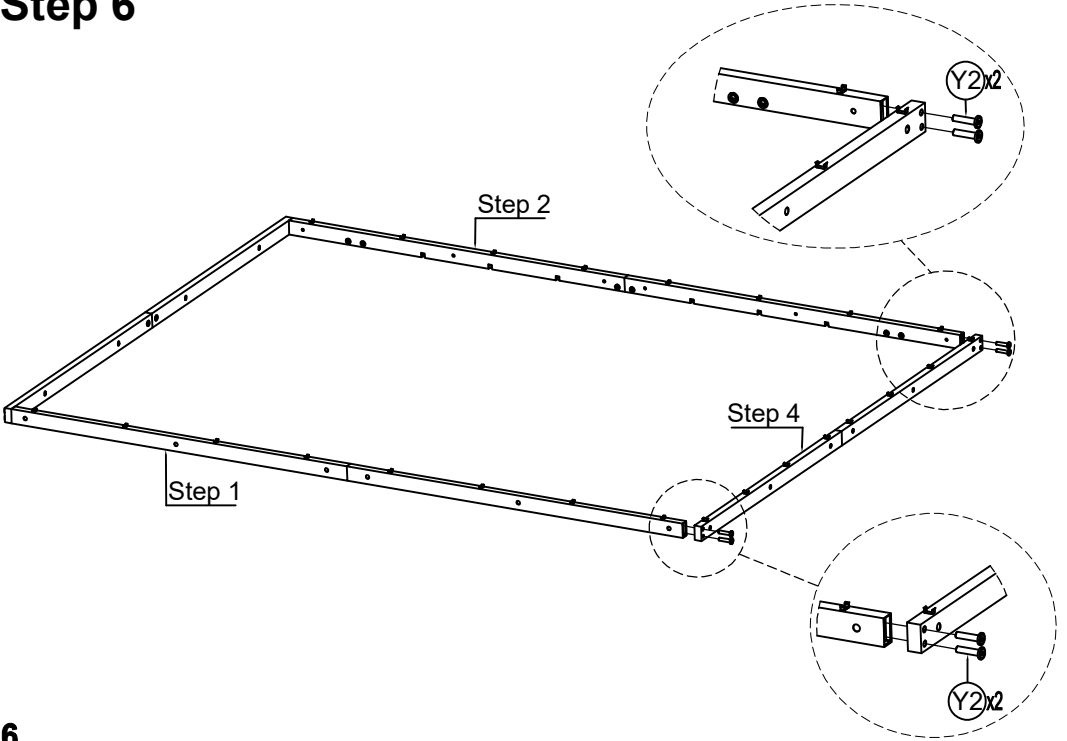
Step 5



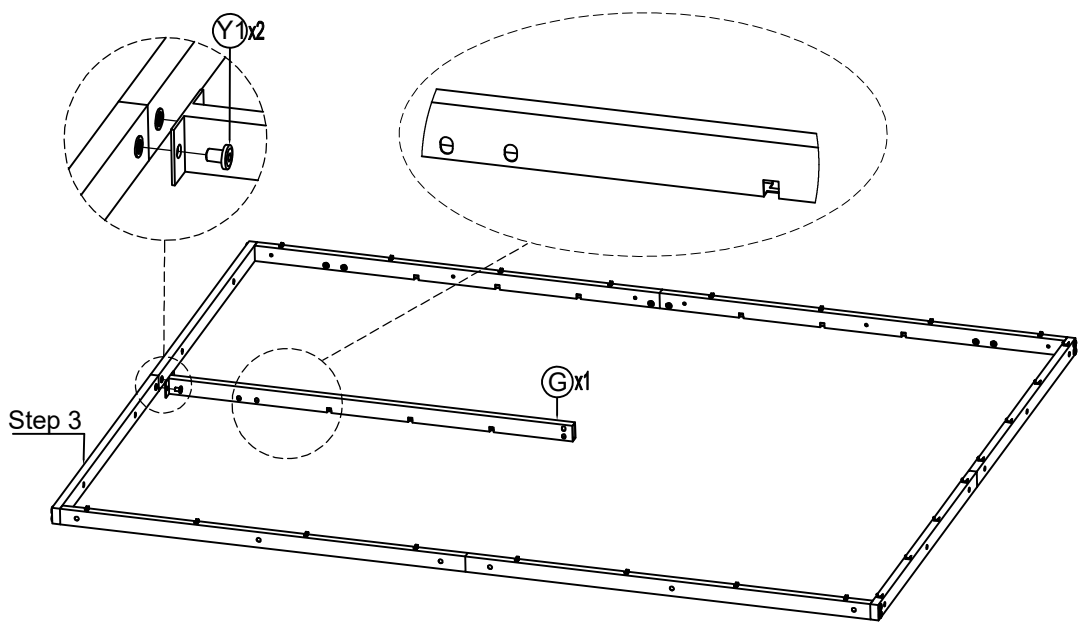
Step 4



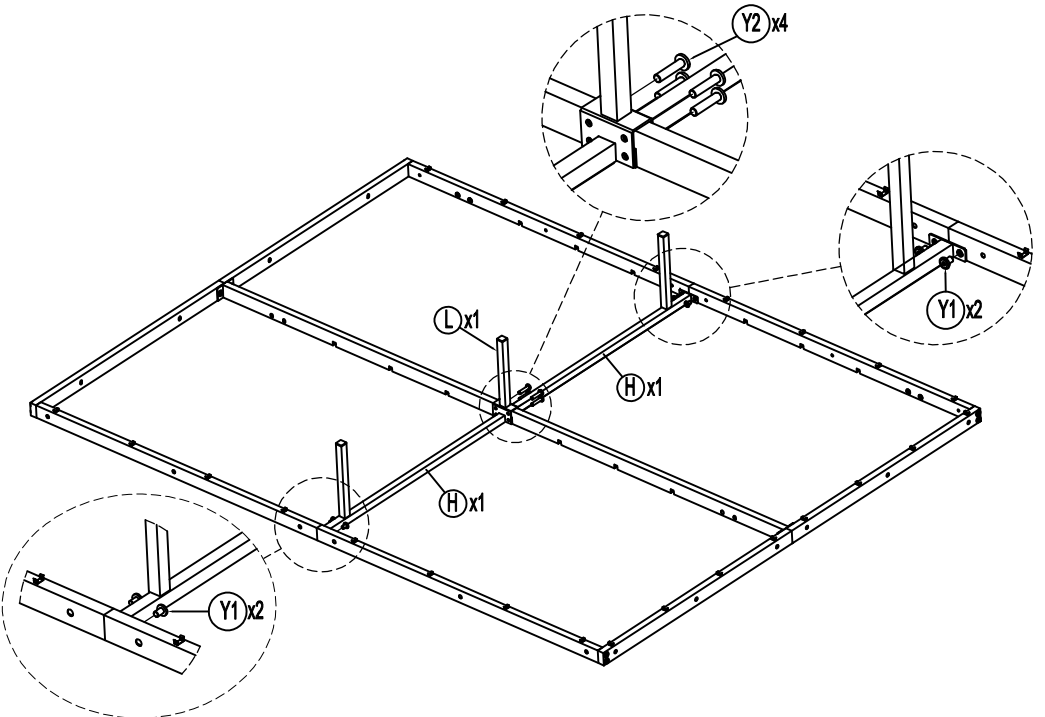
Step 6



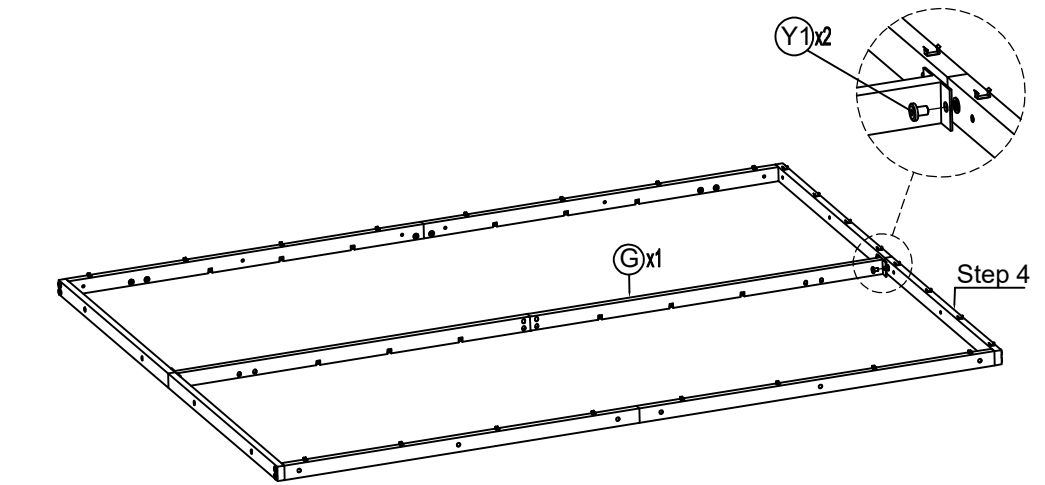
Step 7



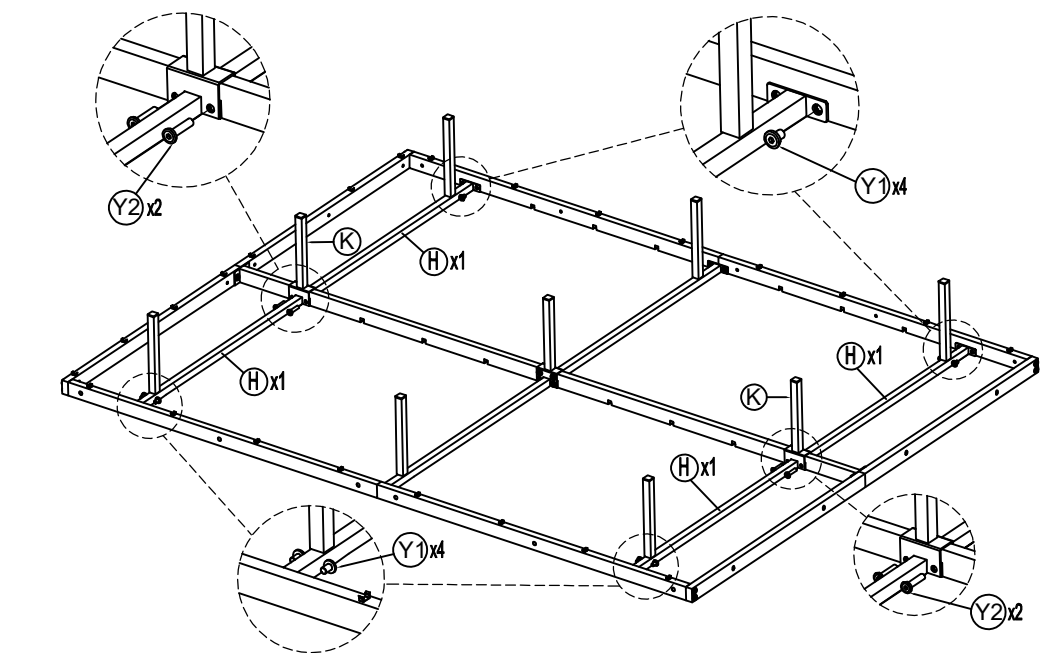
Step 9



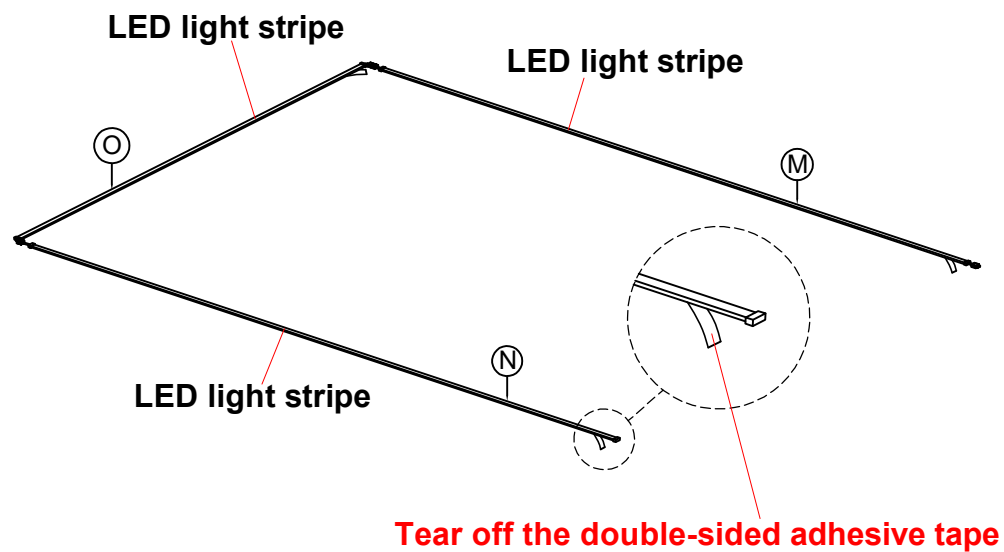
Step 8



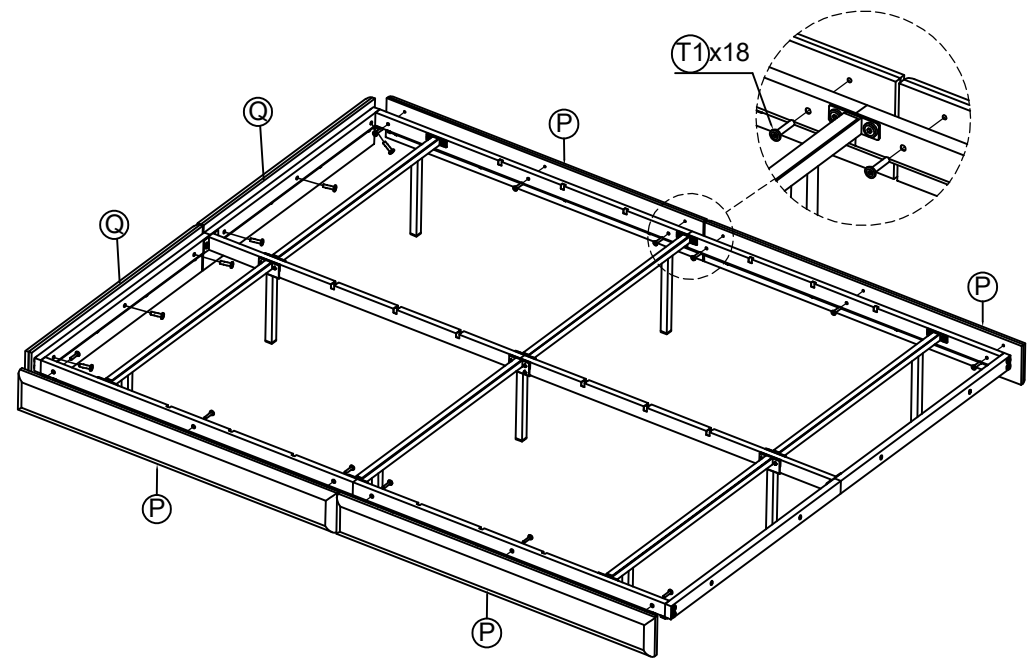
Step 10



Step 11

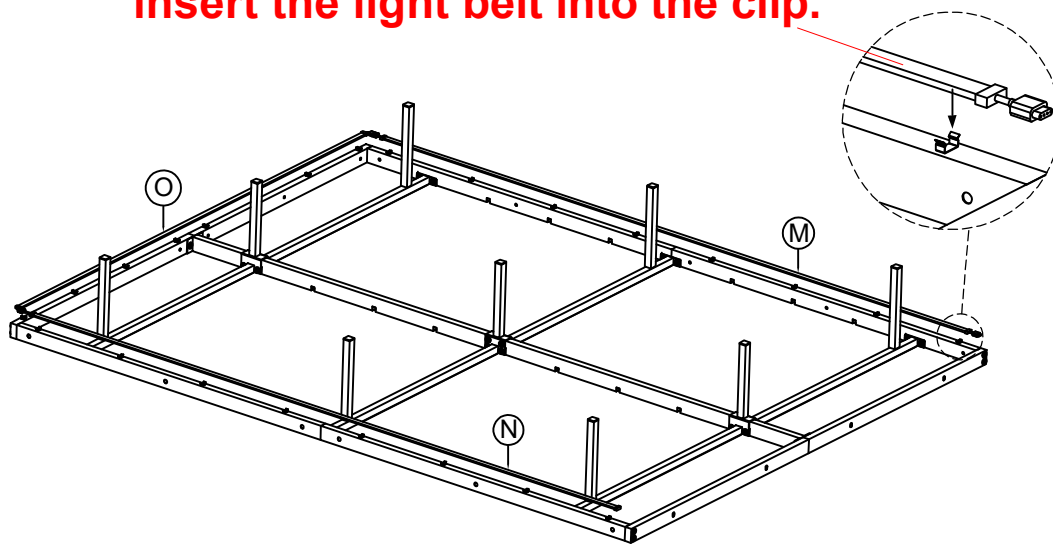


Step 13

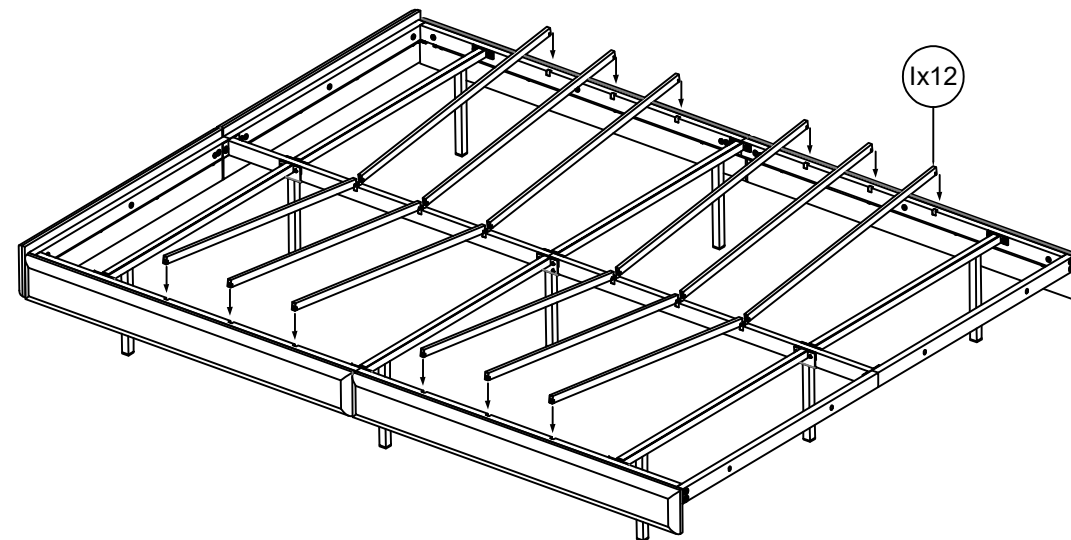


Step 12

Attach the light belt to the bed frame and insert the light belt into the clip.

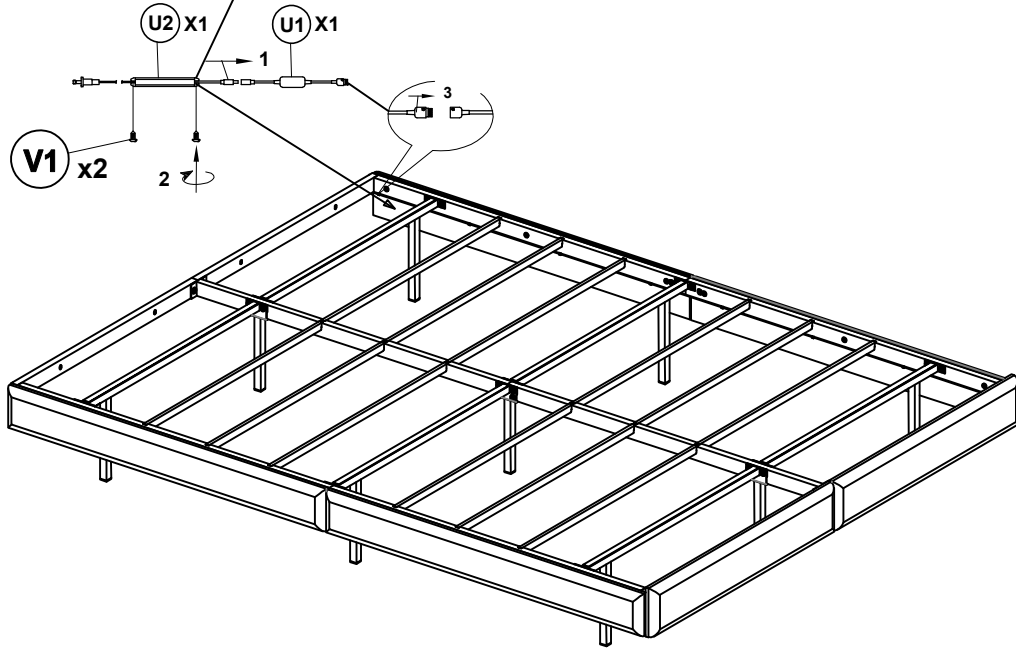


Step 14



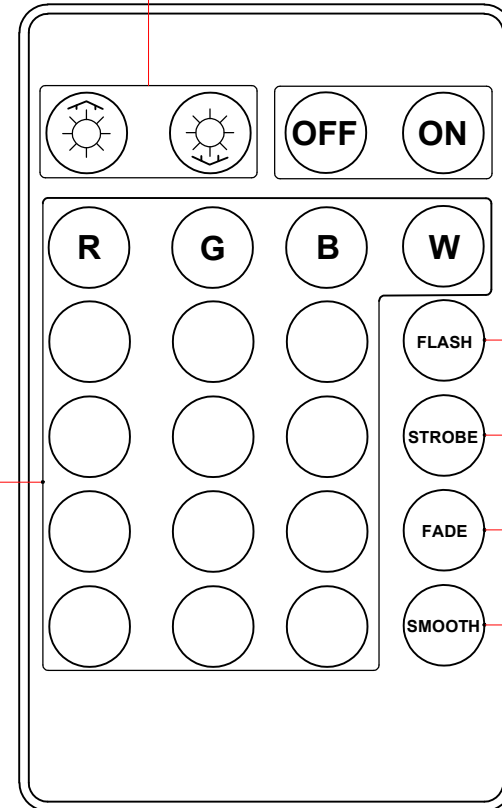
Step 15

The power source is fixed to the bed frame



REMOTE CONTROLLER

Bright/Speed +/-



Three color jump change

Seven color jump change

Three color gradient change

Seven color gradient change

COLOR