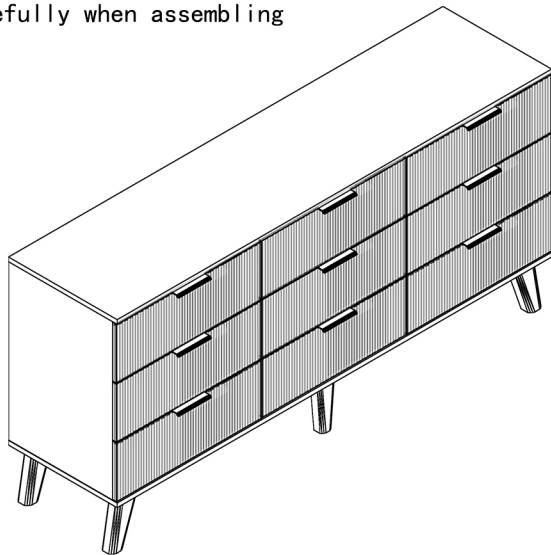
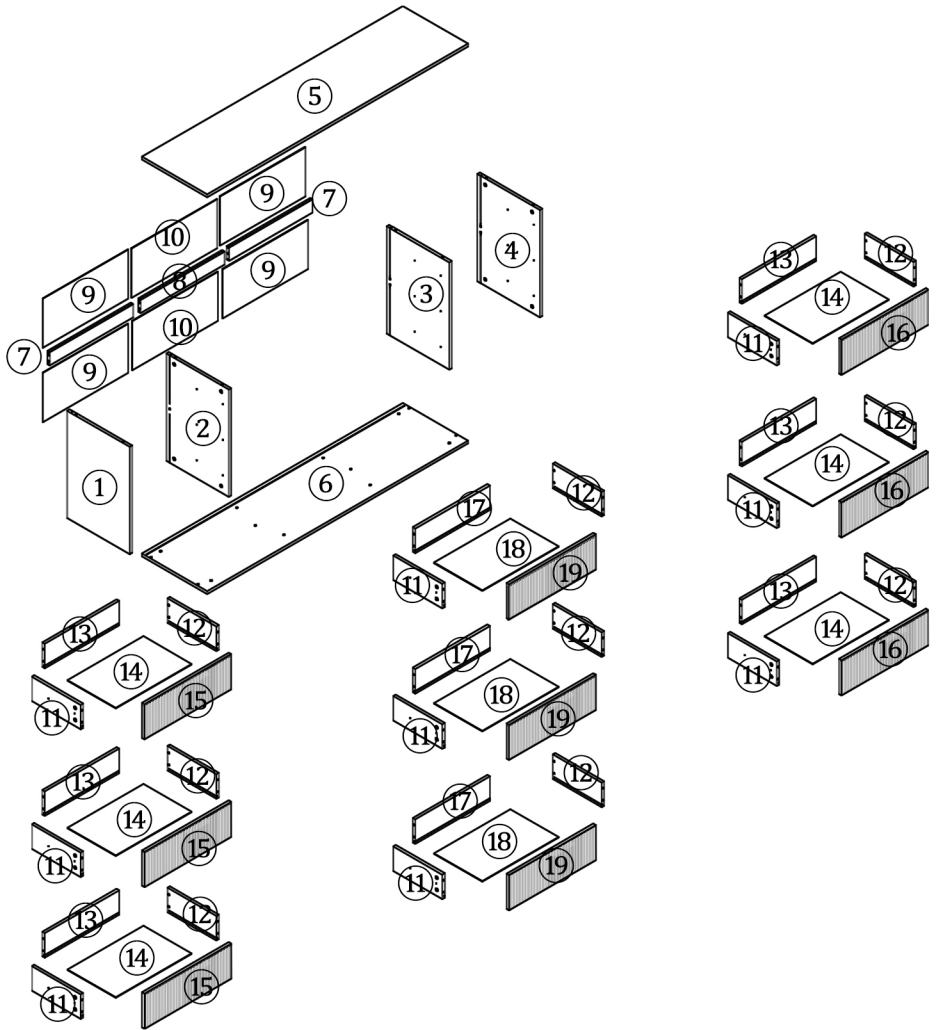


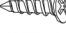

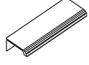







ASSEMBLY INSTRUCTION

- Please follow the instructions to assemble the items correctly.
- Please ensure the safety of the glass when assembling.
- Do not make the screws too loose or too tight.
- As shown in the figure, Insert the screw into the hole.
The arrow in the picture, Then rotate 90° or 180° clockwise.
- The accessory bag contains some small accessories, which should be kept away from children.
- The remaining parts are spare parts.
- Warm reminder white backboard please install the white side inward
- The operating instruction of RGB light is included in the package , please read it carefully when assembling



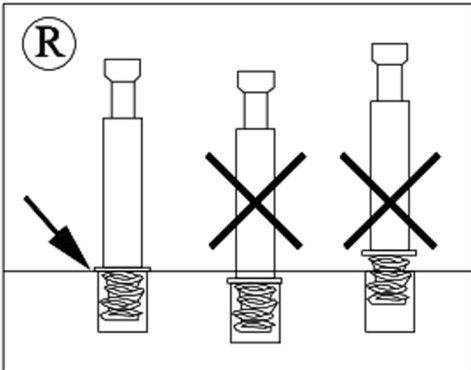
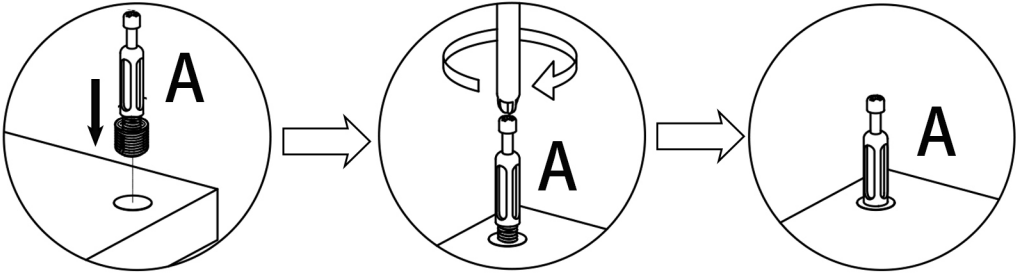


A  98pcs	B  98pcs	C  3.5*14 90pcs	C8  3.5*12 18pcs	F  9pcs	K  18pcs	Z4  8*30 6pcs	Y  18pcs	AE  4pcs
AE  2pcs								



Hardware installation demonstration

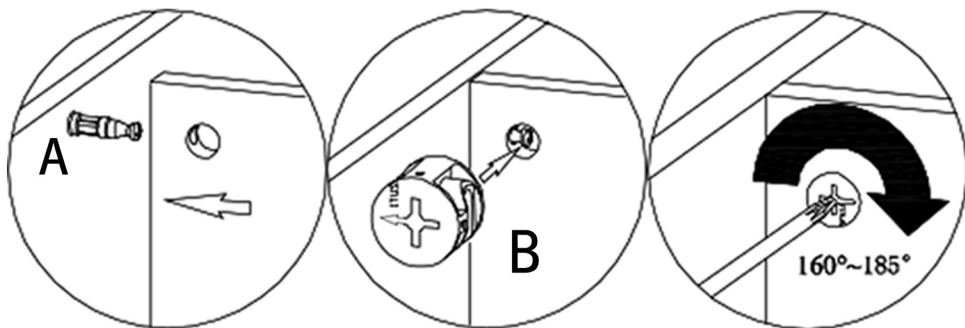
● Please make sure "A" hardware tightened and can't be pulled out





Hardware installation demonstration

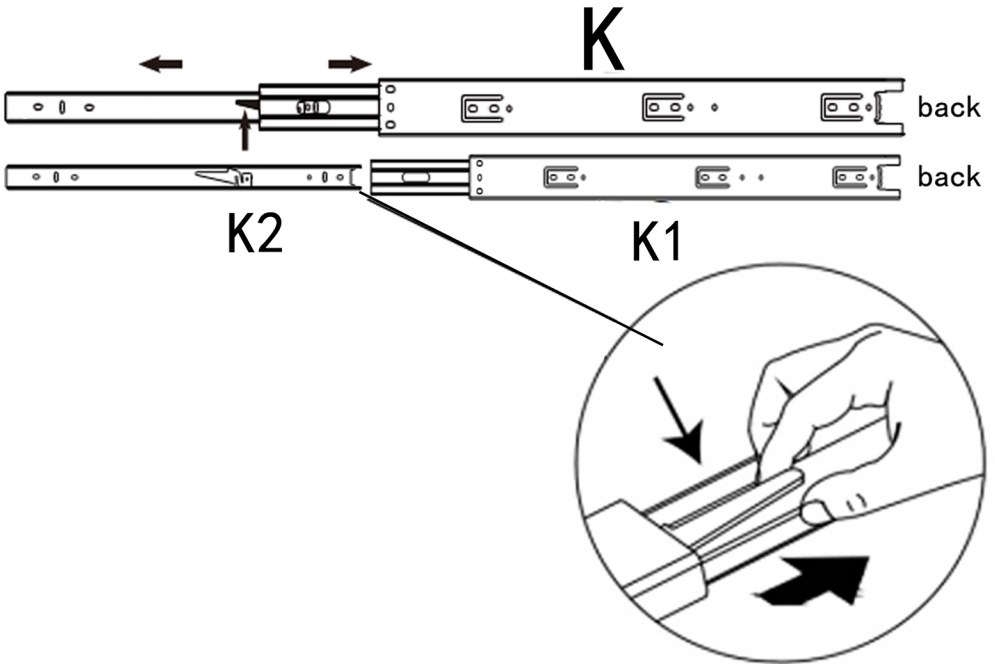
- When inserting cam ensure arrowhead on cam points toward to the hole on the panel edge





Hardware installation demonstration

- Before installing the drawer rail, you need to separate the K1 and K2 first.



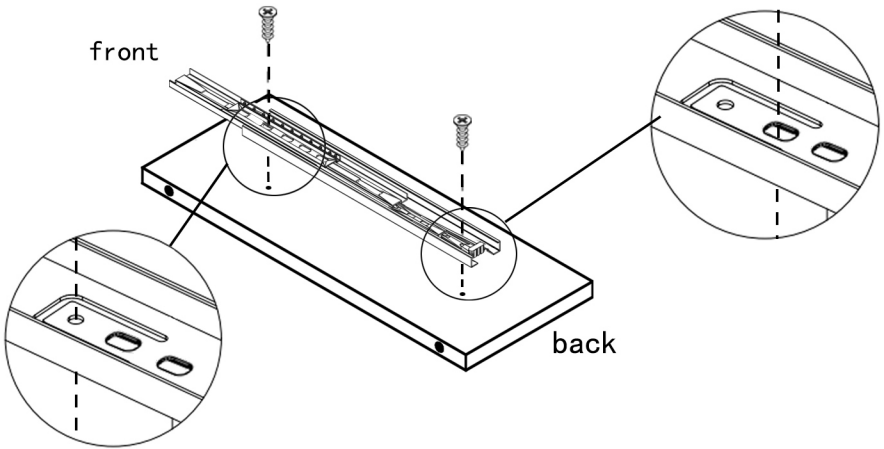
Warm Reminder: Press it and split



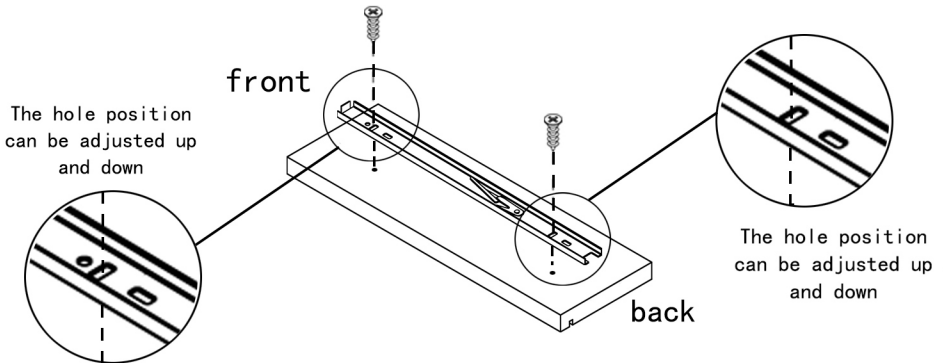
Hardware installation demonstration



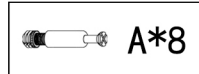
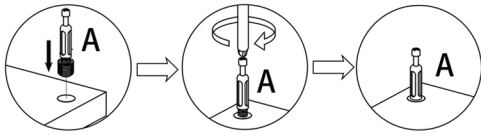
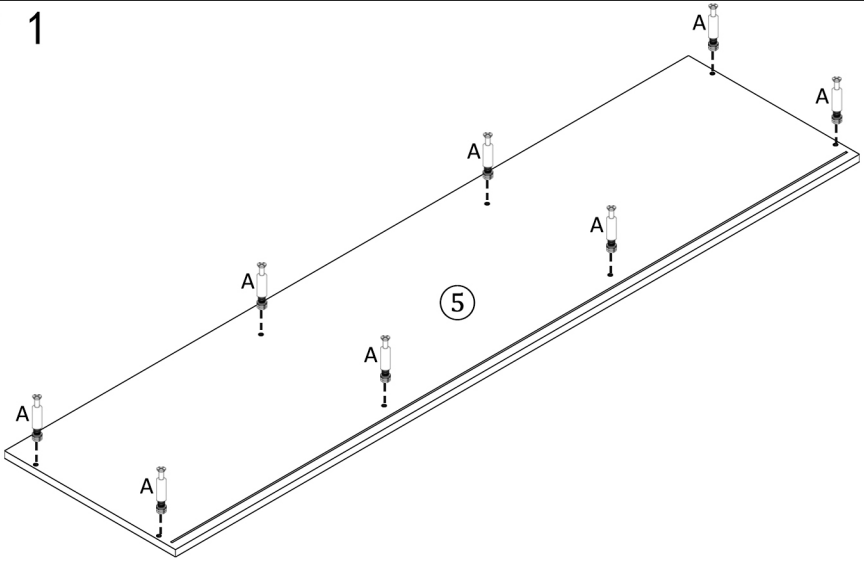
The first screw hole should corresponded with the board location hole



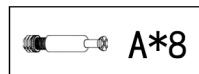
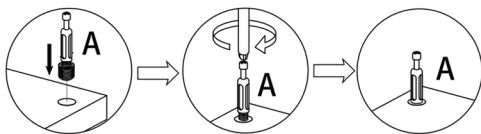
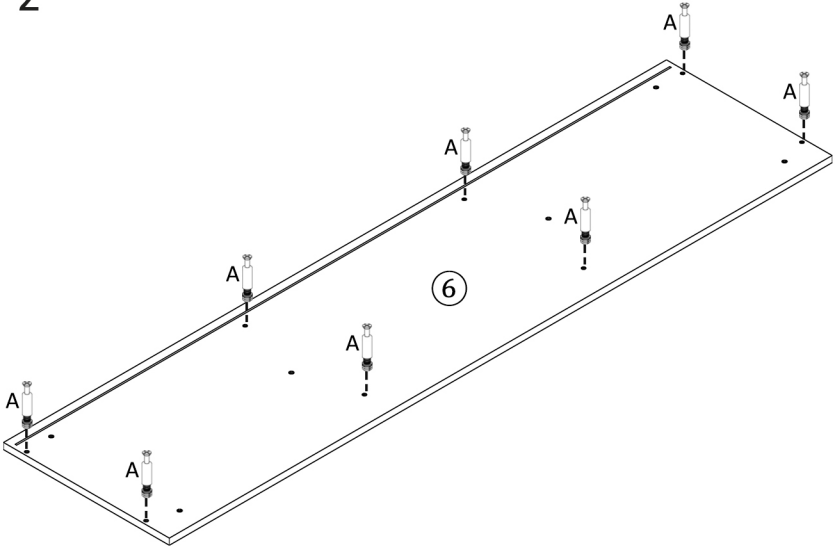
The first screw hole should corresponded with the board location hole



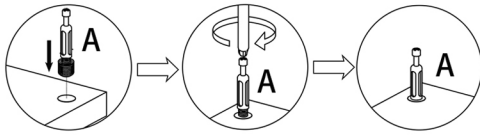
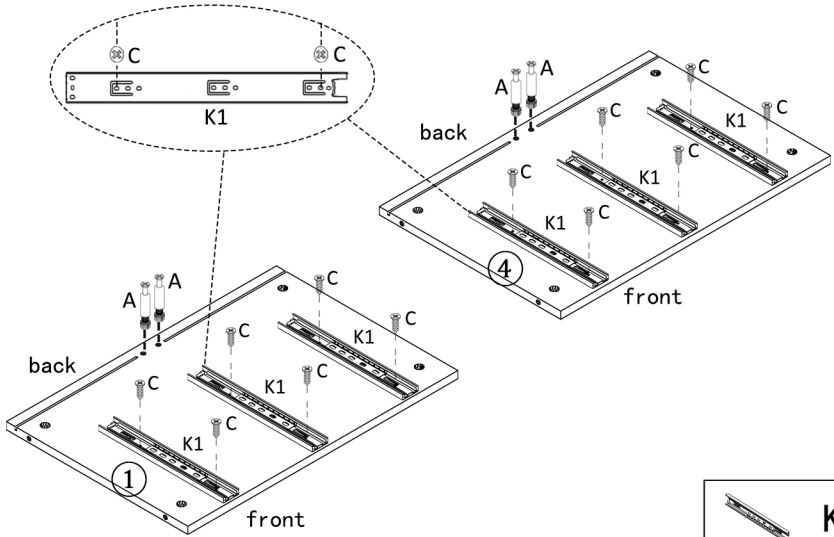
STEP 1






STEP 2

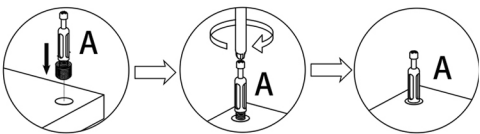
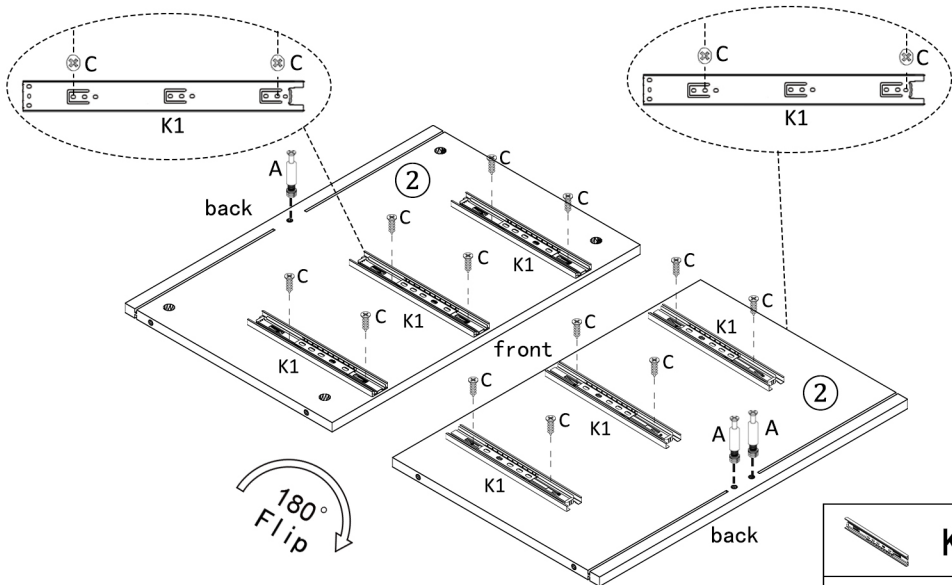





STEP 3



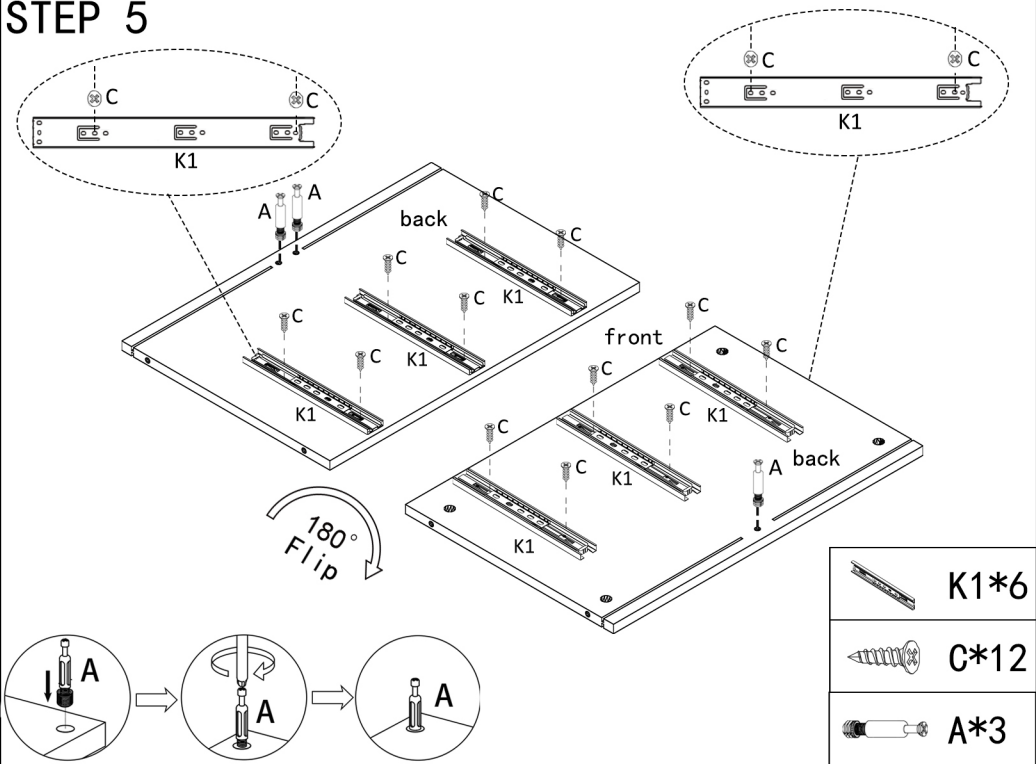
	K1*6
	C*12
	A*4

STEP 4

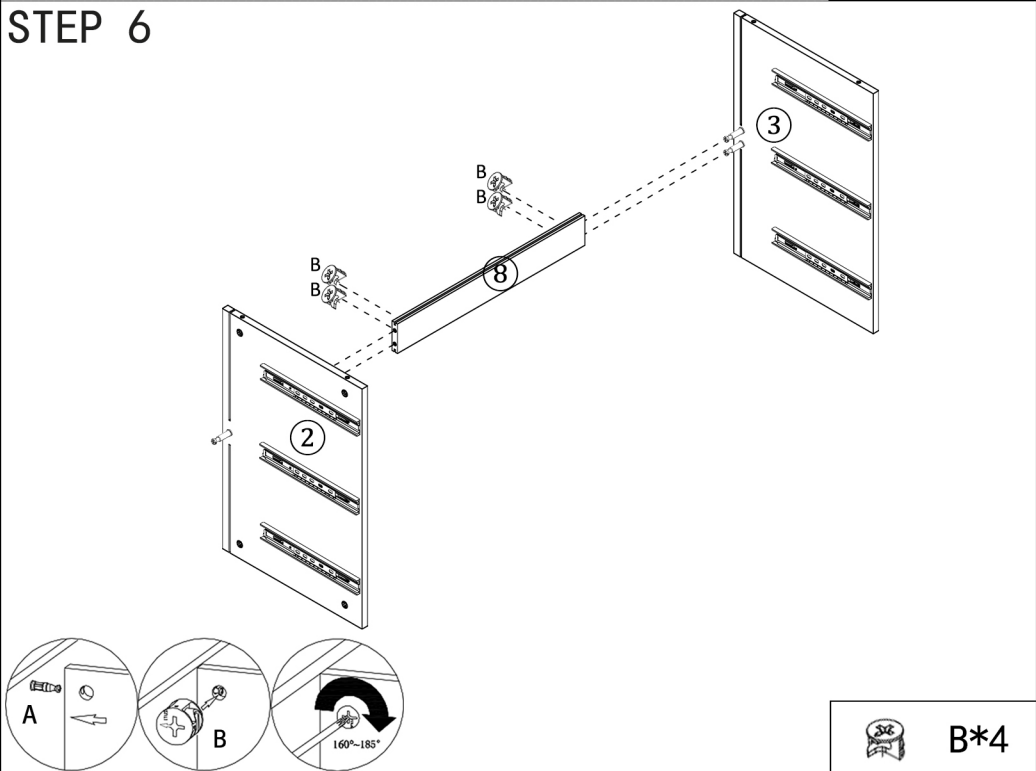


	K1*6
	C*12
	A*3

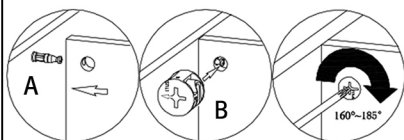
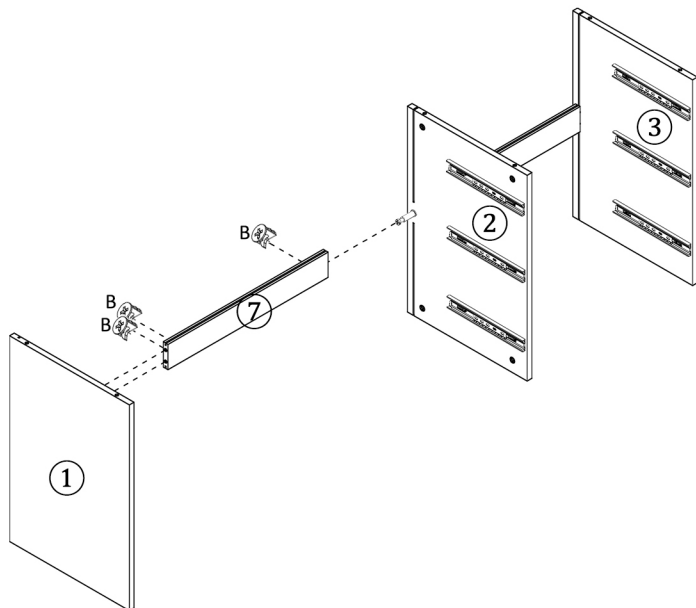
STEP 5



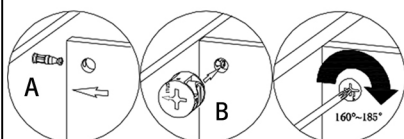
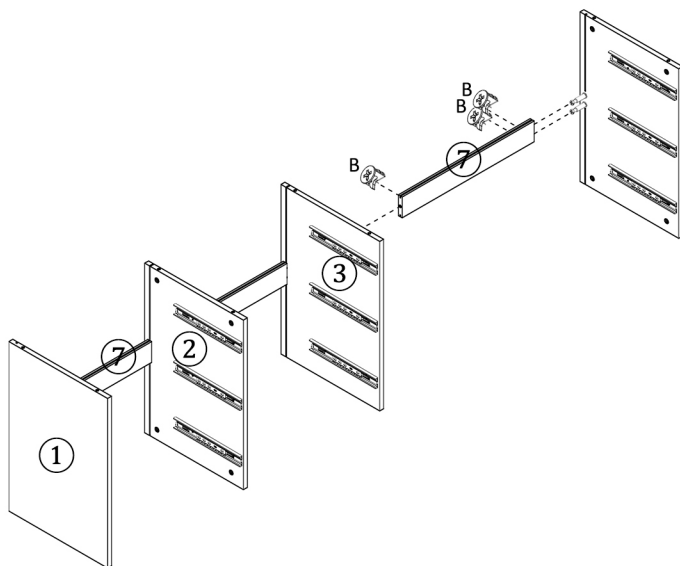
STEP 6



STEP 7

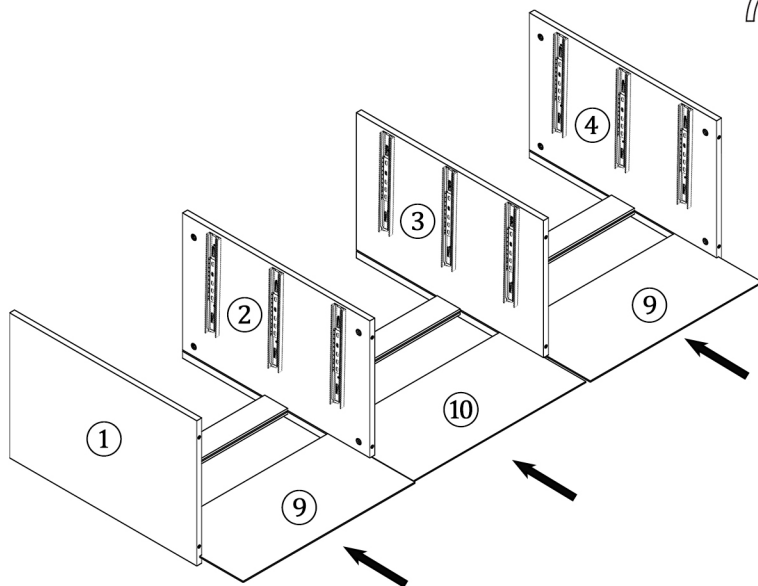


STEP 8

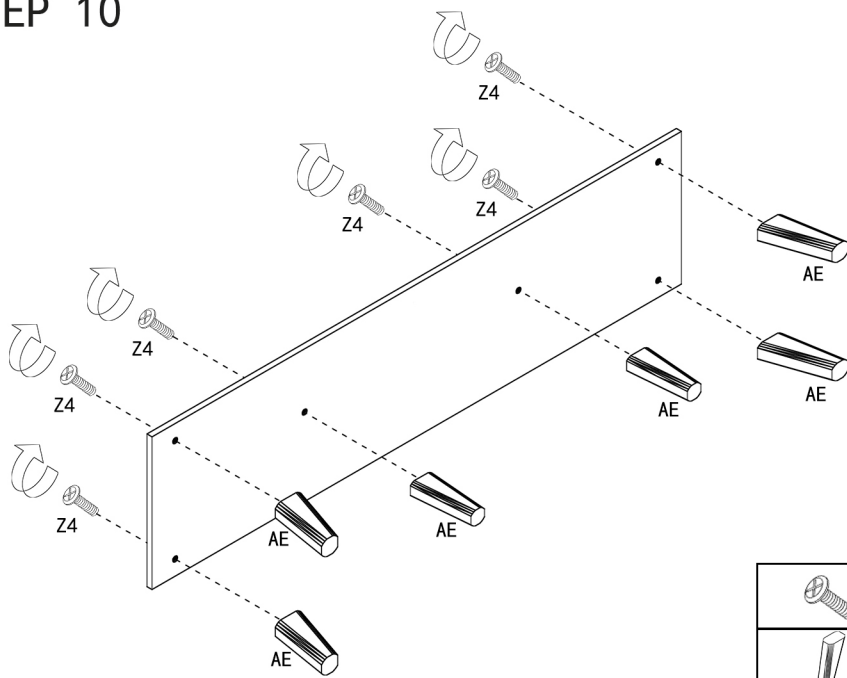





STEP 9

90°
Flip

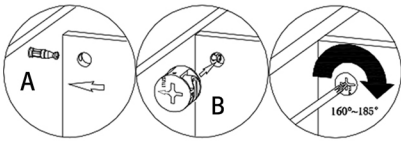
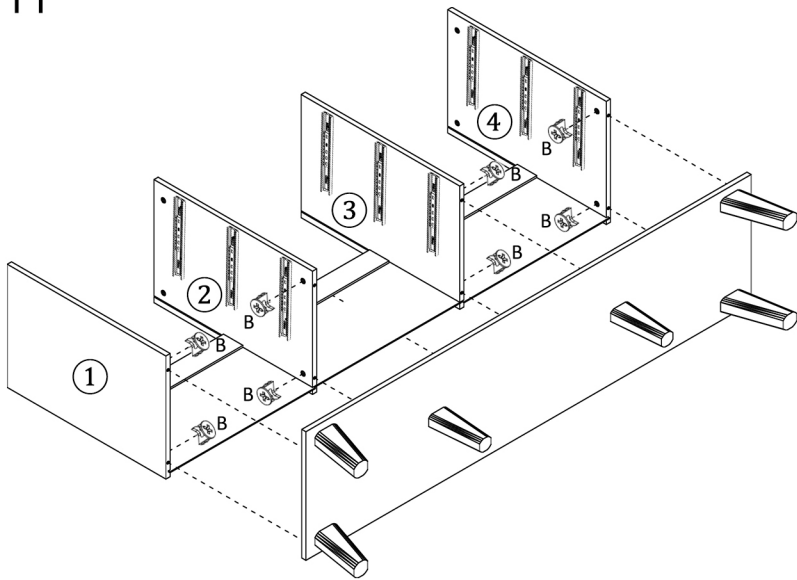


STEP 10



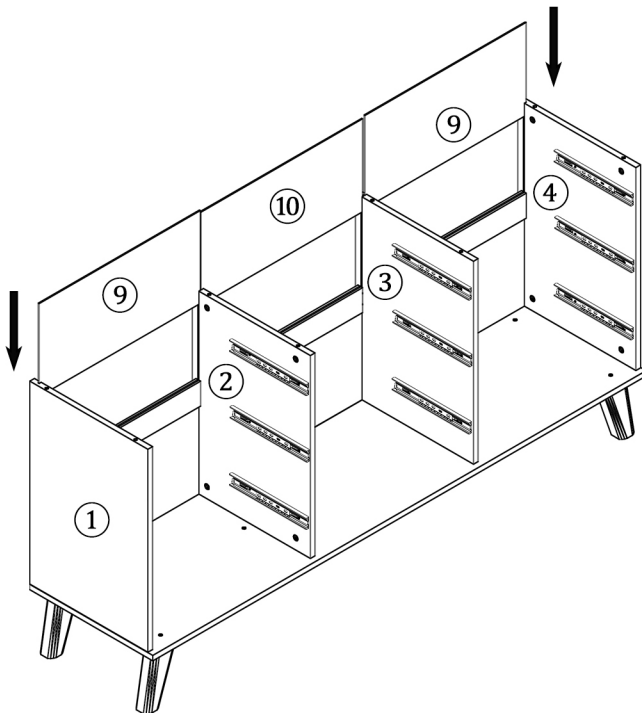
	Z4*6
	AE*4
	AE*2

STEP 11

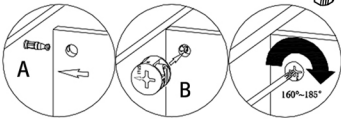
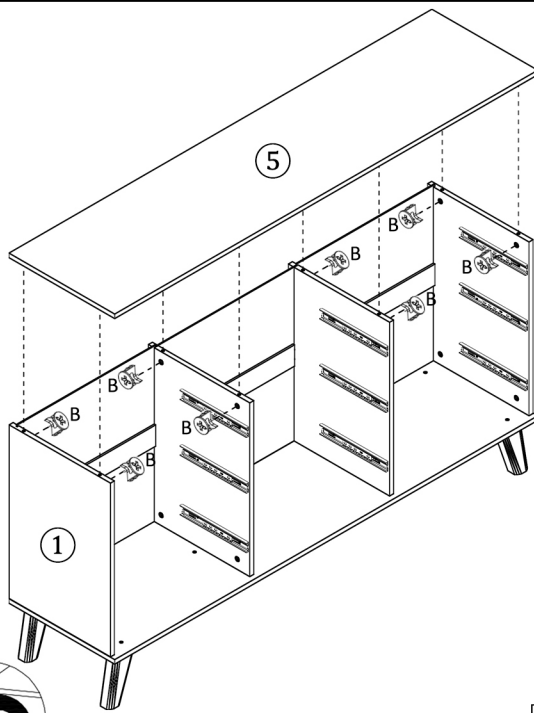


B*8

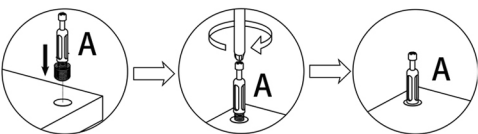
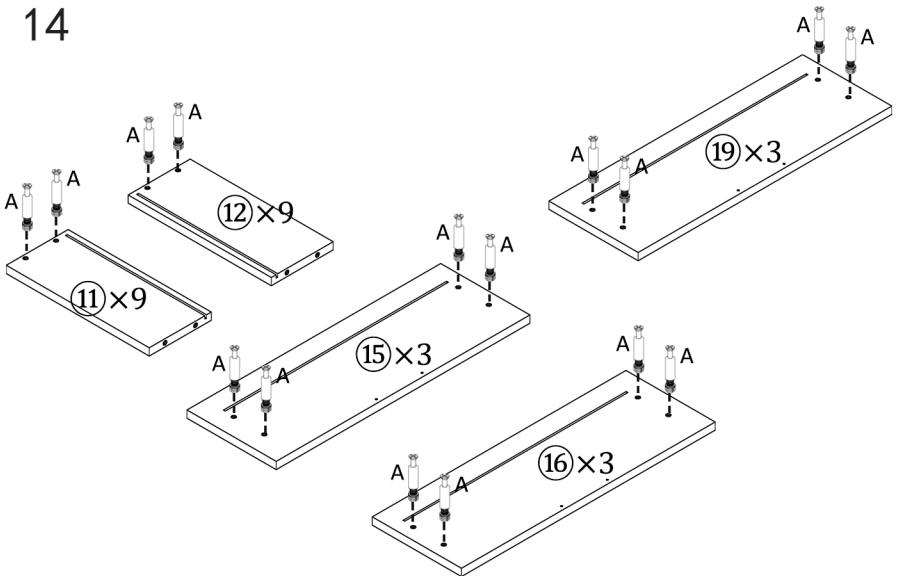
STEP 12



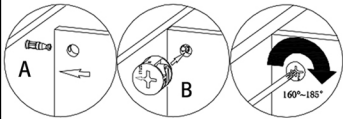
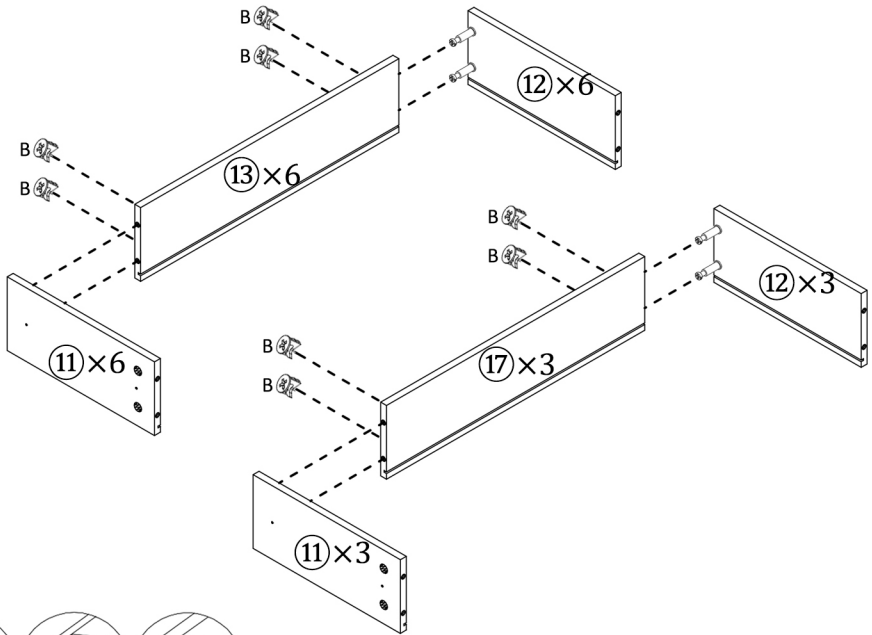
STEP 13



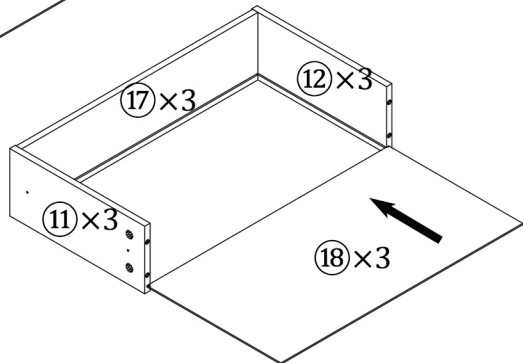
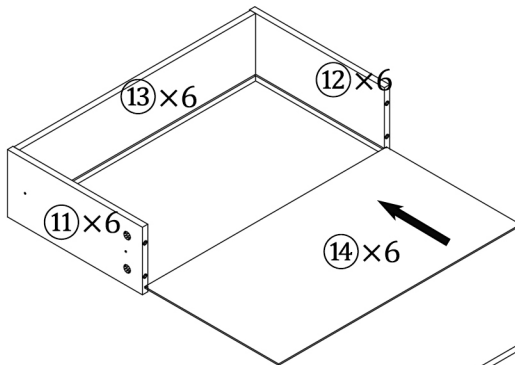
STEP 14



STEP 15

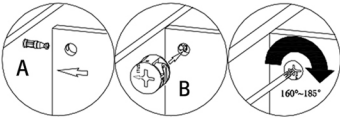
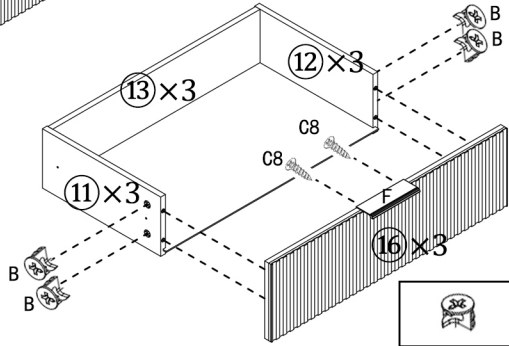
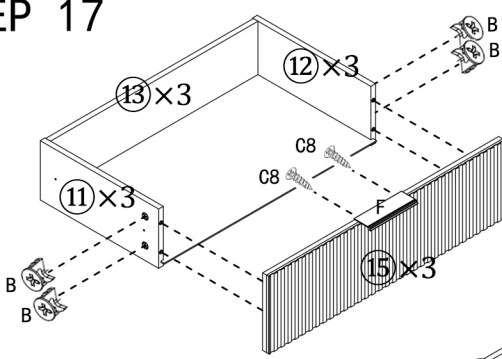




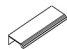
STEP 16



STEP 17

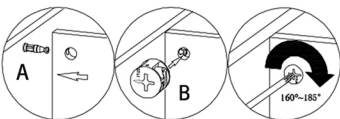
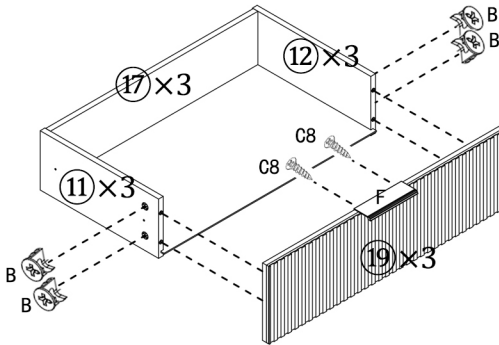
! Please use screws according to the specific size, do not confuse them.



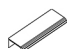


	B*24
	C8*12
	F*6

STEP 18

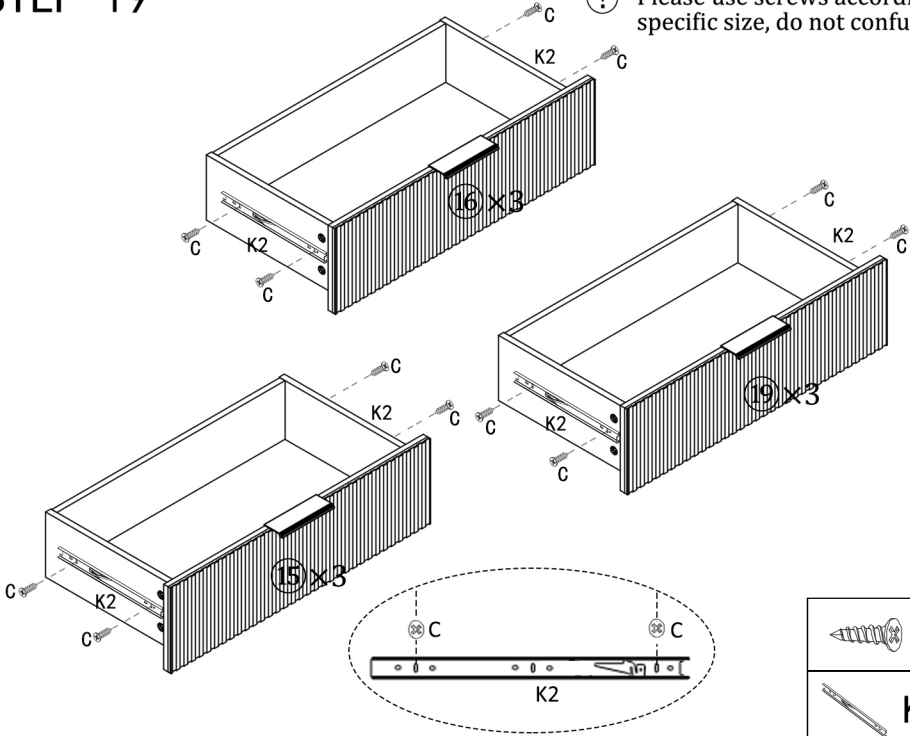
! Please use screws according to the specific size, do not confuse them.



	B*12
	C8*6
	F*3

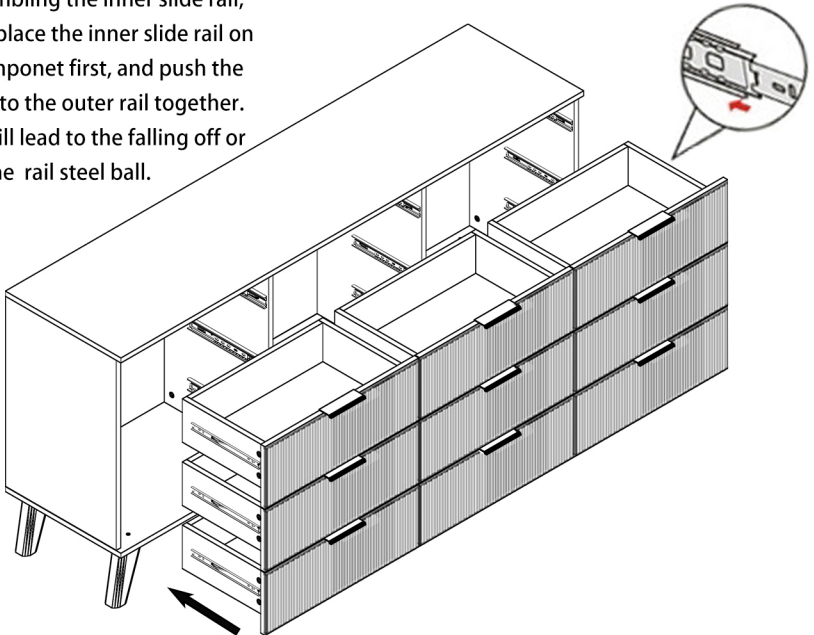
STEP 19

! Please use screws according to the specific size, do not confuse them.

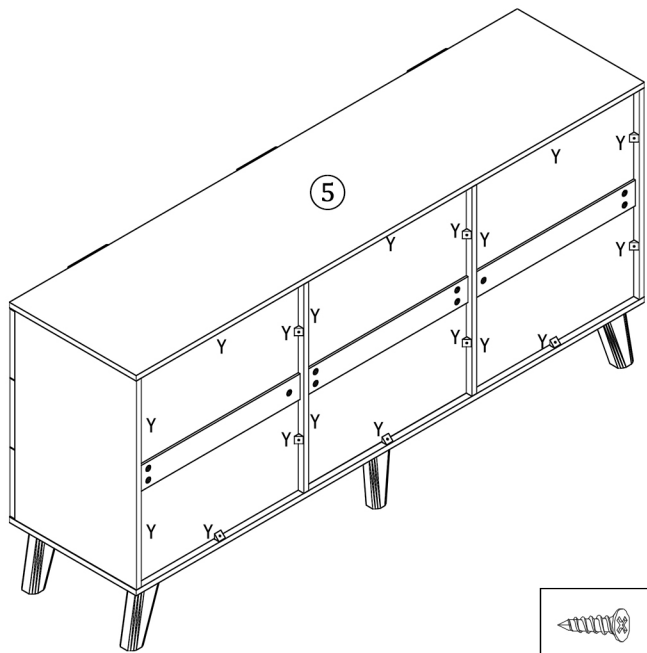
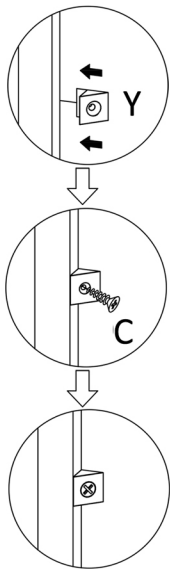


STEP 20

Note: When assembling the inner slide rail, it is necessary to place the inner slide rail on the steel ball component first, and push the inner rail parallel to the outer rail together. Direct violence will lead to the falling off or deformation of the rail steel ball.



STEP 21



C*18



Y*18

Use tools to install if necessary

STEP 22

