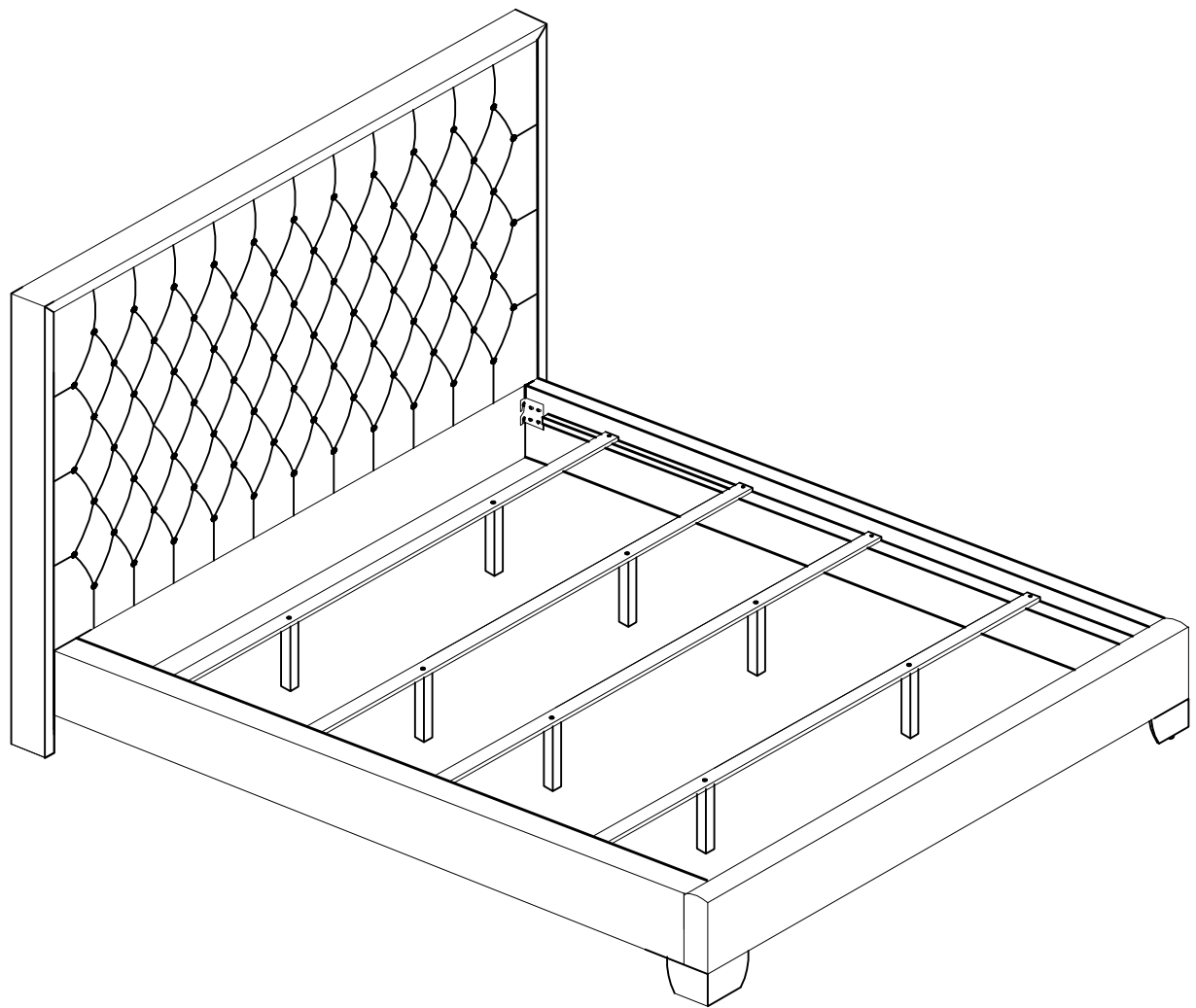


ASSEMBLY INSTRUCTION



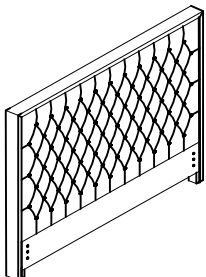
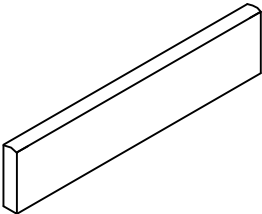
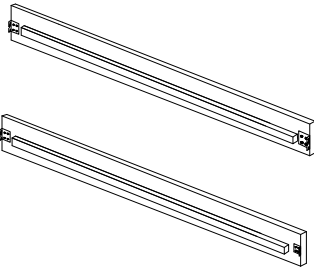
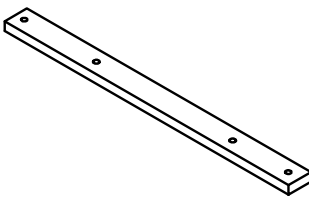


ASSEMBLY INSTRUCTIONS

Thank you for purchasing this product. Be sure to check all packaging materials carefully for small parts that may have come loose inside the carton during shipment.



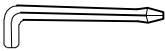


Before you Assemble: Please read all instructions carefully before beginning the assembly process. It is recommended that 2 people work together during assembly to prevent personal injury and to ensure that heavy or cumbersome parts are not damaged during the process.

CAUTION: For your safety, this product requires two people to lift.

PARTS LIST:

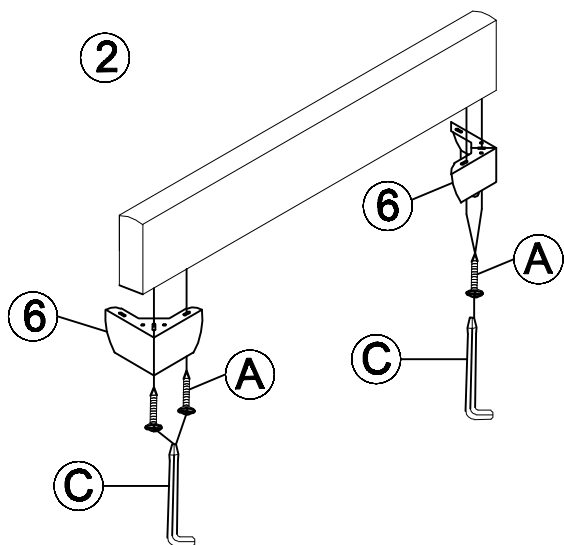
<p>① Headboard-1pc</p> 	<p>② Footboard-1pc</p> 	<p>③ Side Rail-2pcs</p> 	<p>④ Slats -4pcs</p> 
<p>⑤ Support Leg-8pcs</p> 	<p>⑥ Leg-2pcs</p> 		

HARDWARE LIST:

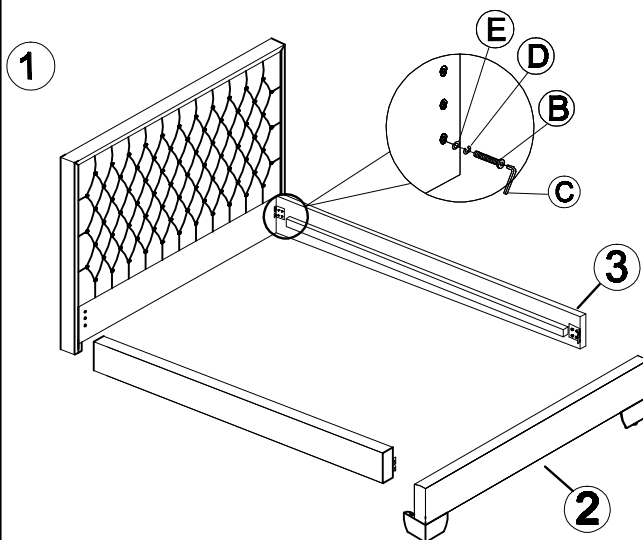
<p>Ⓐ Screw M4*40-14pcs</p> 	<p>Ⓑ Bolt M8*35mm-12pcs</p> 	<p>Ⓒ Screw Driver -1pcs</p> 
<p>Ⓓ Spring Washer-12pcs</p> 	<p>Ⓔ Flat Washer-12pcs</p> 	

ASSEMBLY INSTRUCTIONS

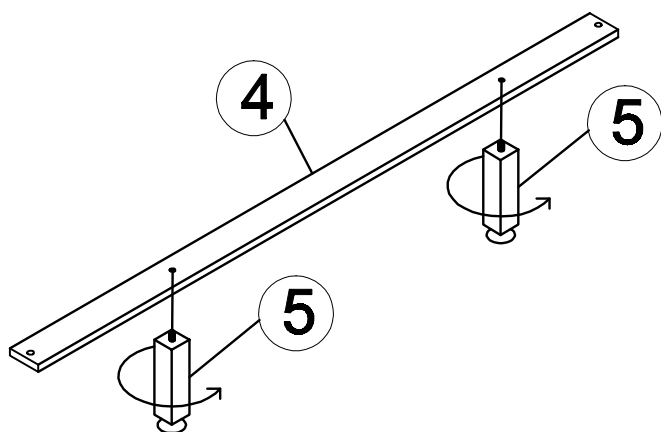
STEP 1:



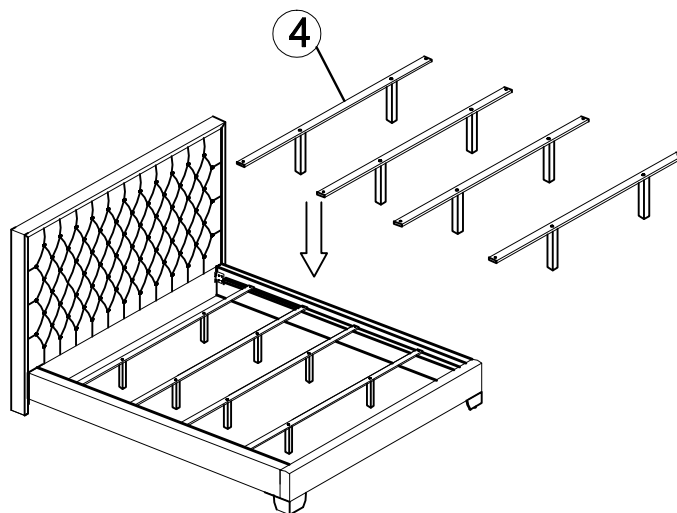
STEP 2:



STEP 3:



STEP 4:



STEP 5:

