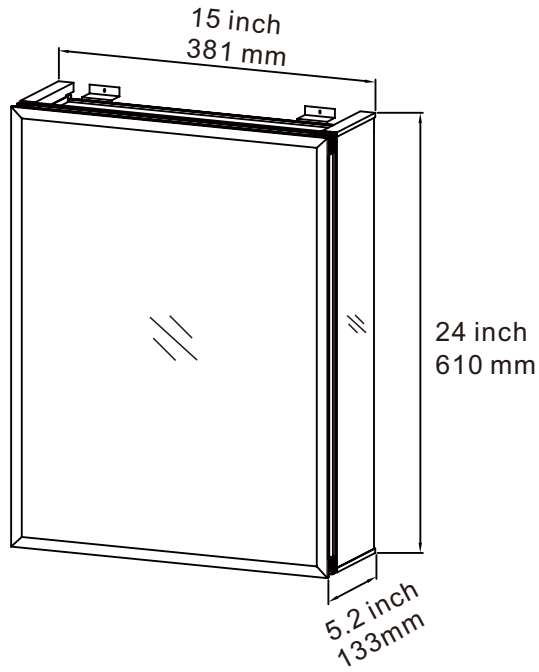
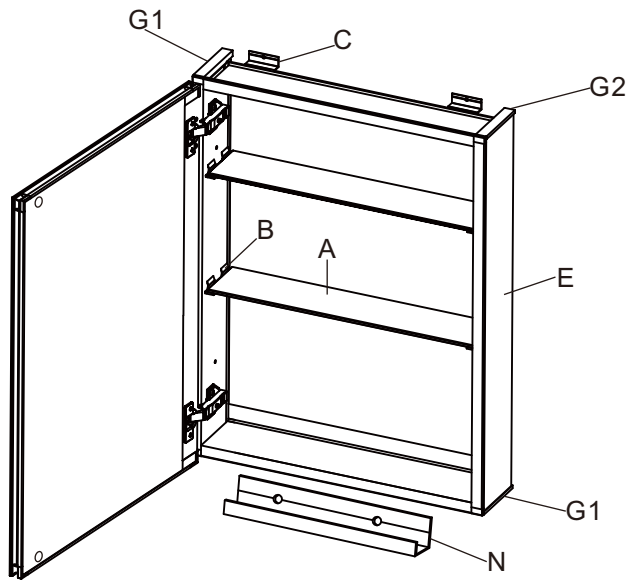


Medicine Cabinet Instructions



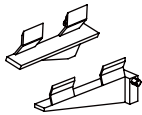
PART LIST



SUPPLIED HARDWARE LIST



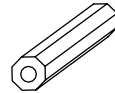
A 2x



B 2+2



C 2x



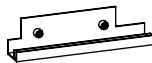
D 4x



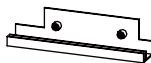
E 2x



F 4x



G1 2x



G2 2x



H 8x



L 4x



N 1x

TOOLS REQUIRED (not supplied)



Pencil



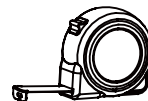
Screwdriver



Level



Rubber mallet



Measuring Tape

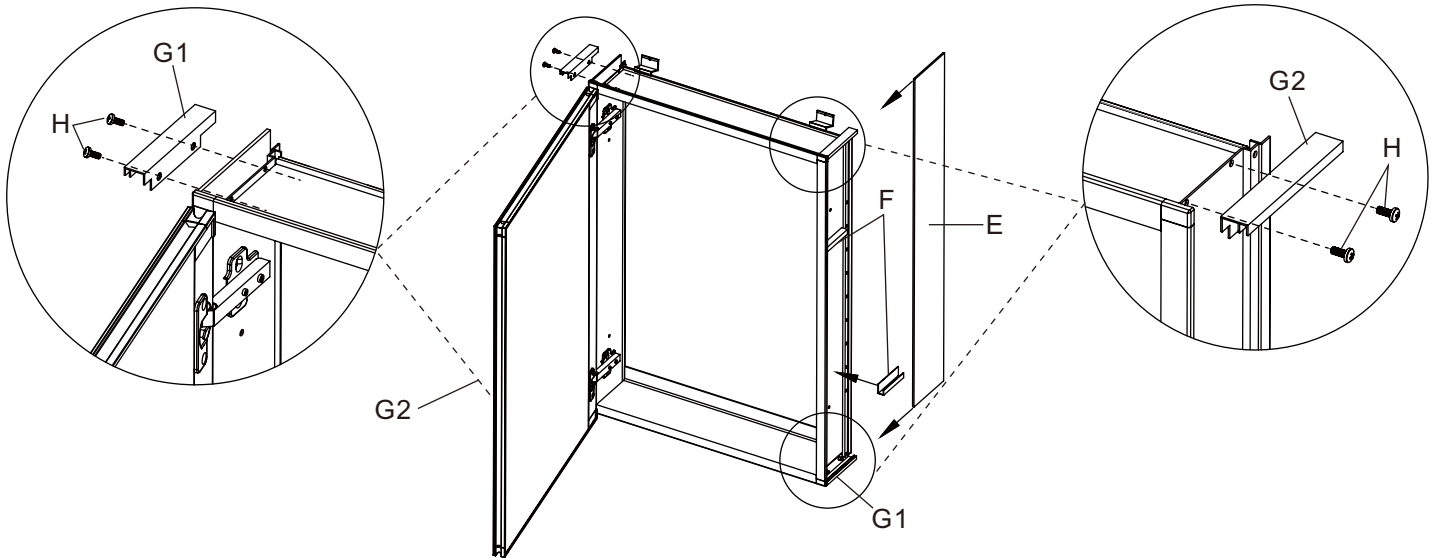


Drill

SURFACE MOUNT INSTALLATION

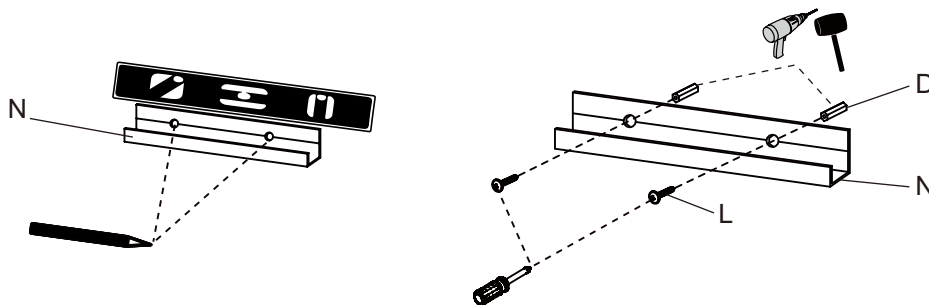
STEP 1

Fix the side mirror brackets (G1/G2) on the 4 corners with screws (H). Then insert the side mirrors (E).



STEP 2

Position the bottom bracket (N) with level, and install with screws (L).



STEP 3

Set the cabinet on the bottom bracket (N) and hold in place. Position the top brackets (C) and install with screws (L).

