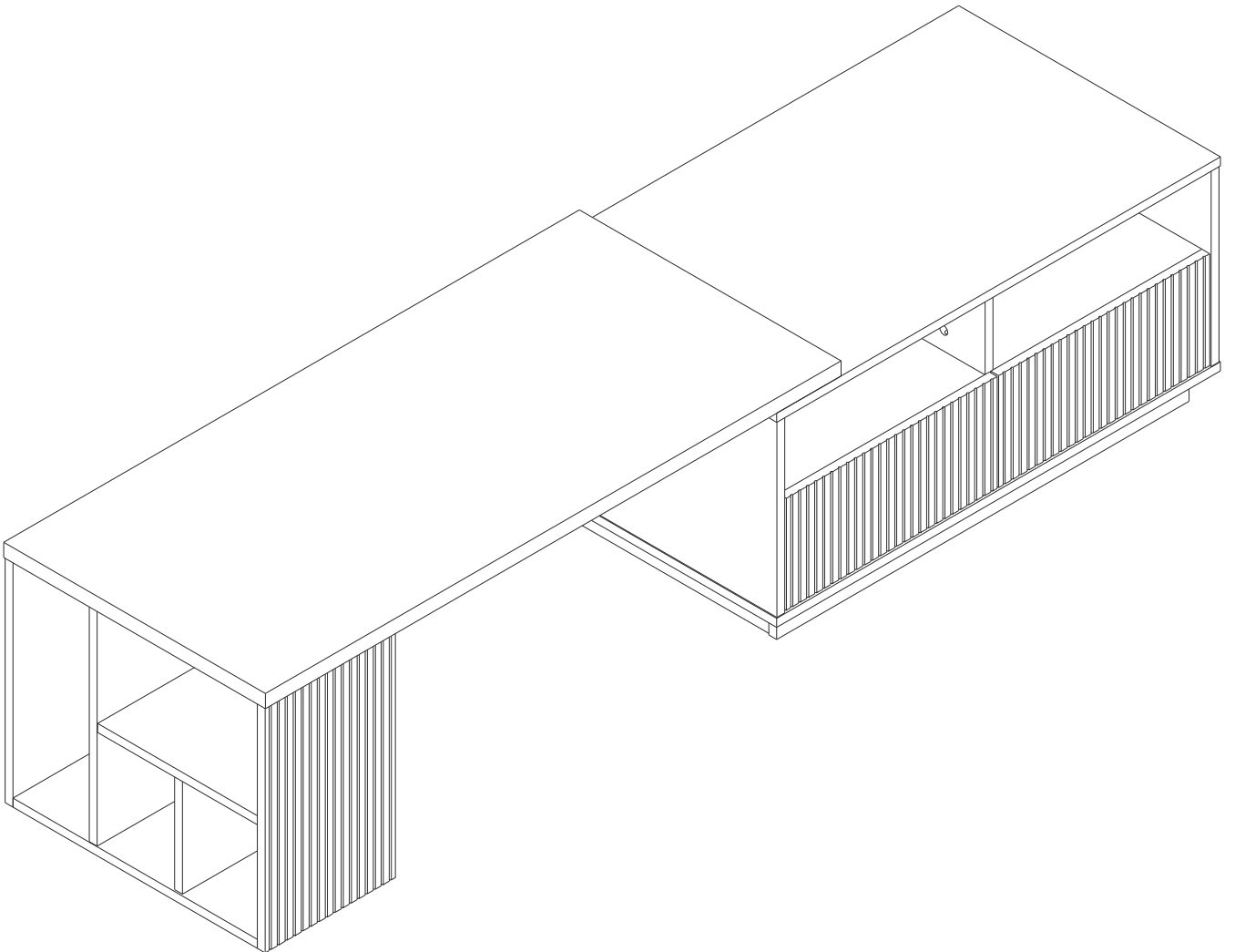


Assembly Instructions



Coffee Table

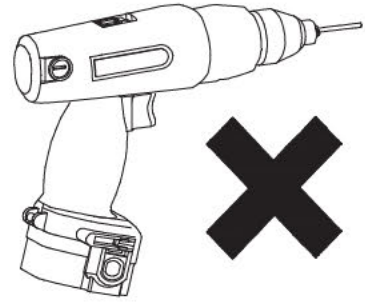
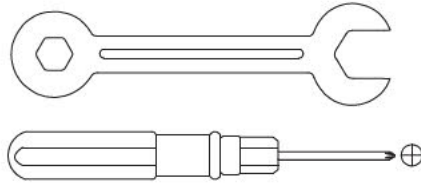
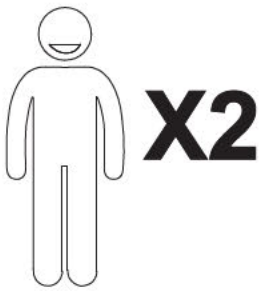
Contact Us

We're here to help you.

Your satisfaction is our top priority. If you encounter any issues with this product, such as missing or damaged parts, we're here to help. Please retain the original packaging and take photos of the packaging and the product, then contact us as soon as possible.

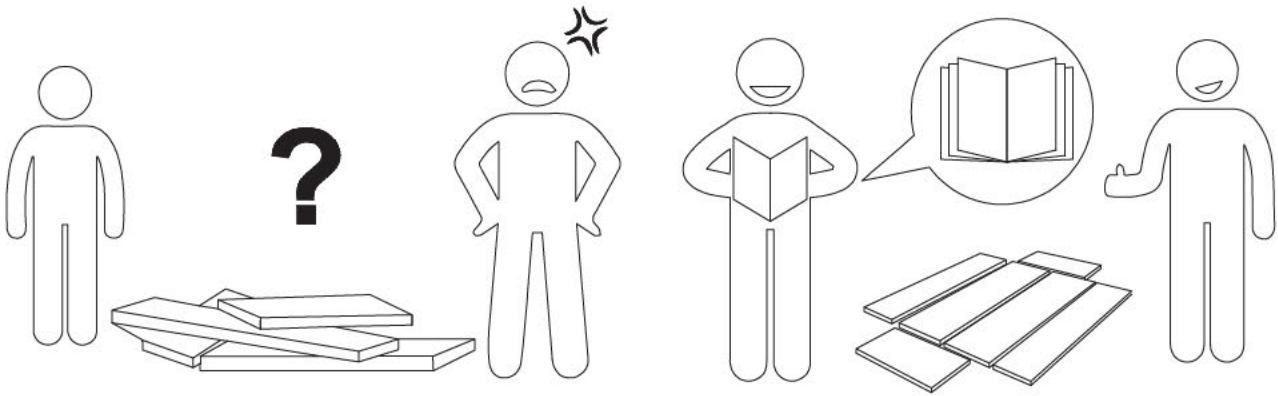
Warm Tips

1. Carefully read these instructions and keep them for future reference.
2. Check the parts list and confirm everything's there before starting assembly.
3. When assembling, put all parts on a soft, smooth surface like a carpet to avoid scratches.
4. Don't fully tighten screws until all parts are confirmed in place to avoid misalignment.



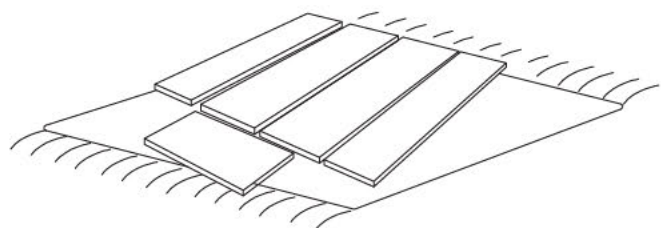
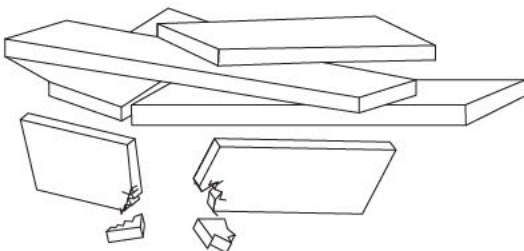
We recommend using hand tools for assembly.

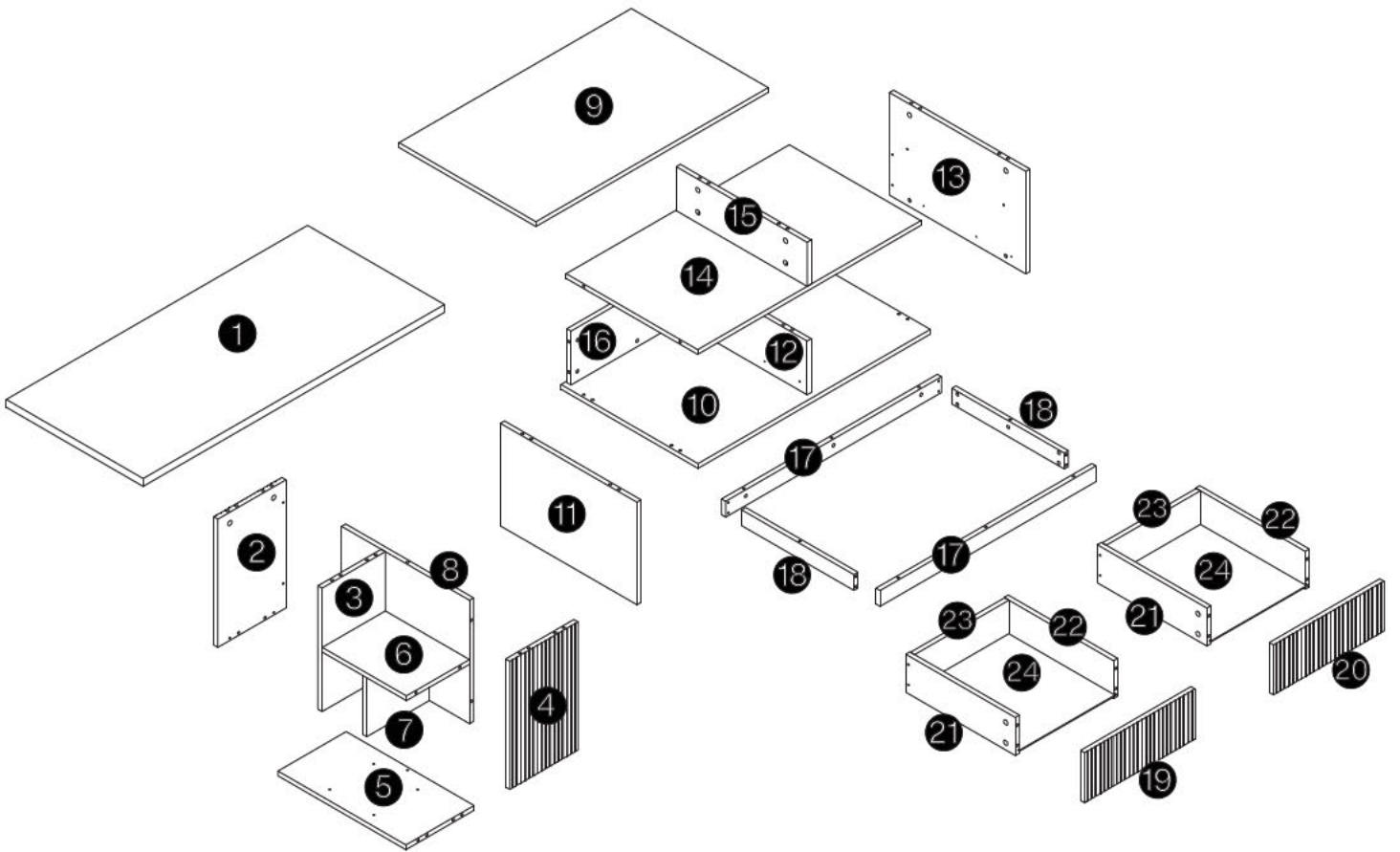
If an electric screwdriver is used, reduce power and torque to avoid damage to the product.



AVOID SCRATCHES

In order to avoid scratching, this furniture should be assembled on a soft surface, such as a rug.

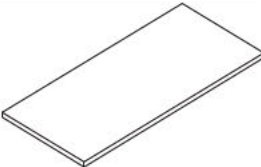
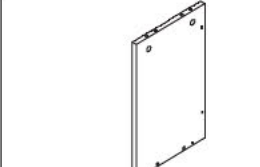
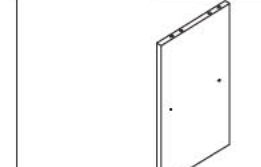
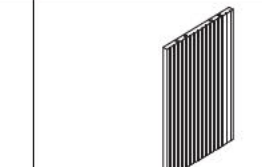
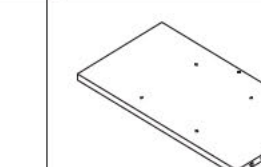
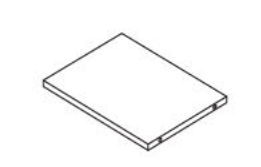
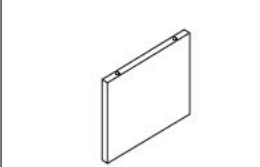
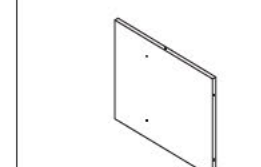
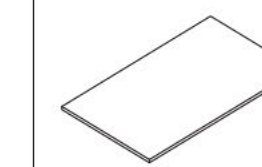
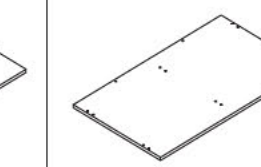
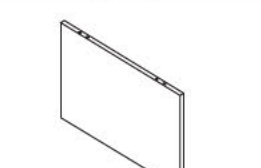
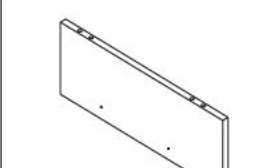
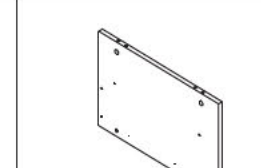
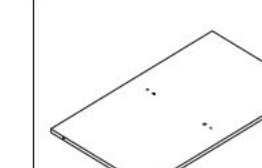
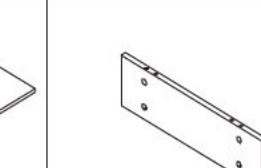
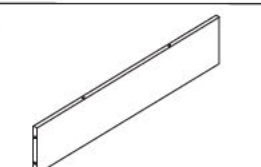
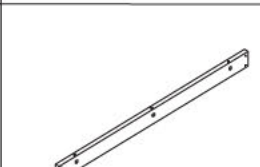
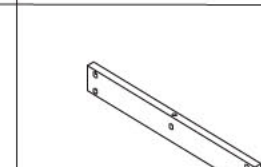
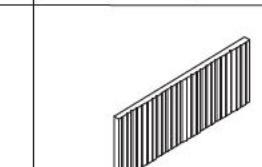
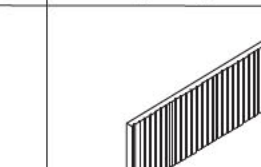
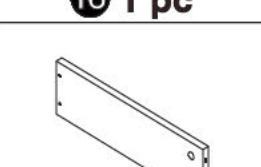
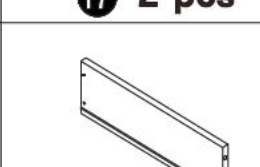



















 Caution

Make sure all parts are included. Most board parts are labeled or stamped on the raw edge. Contact us for a free replacement if you encounter any damaged or missing parts.

Parts List

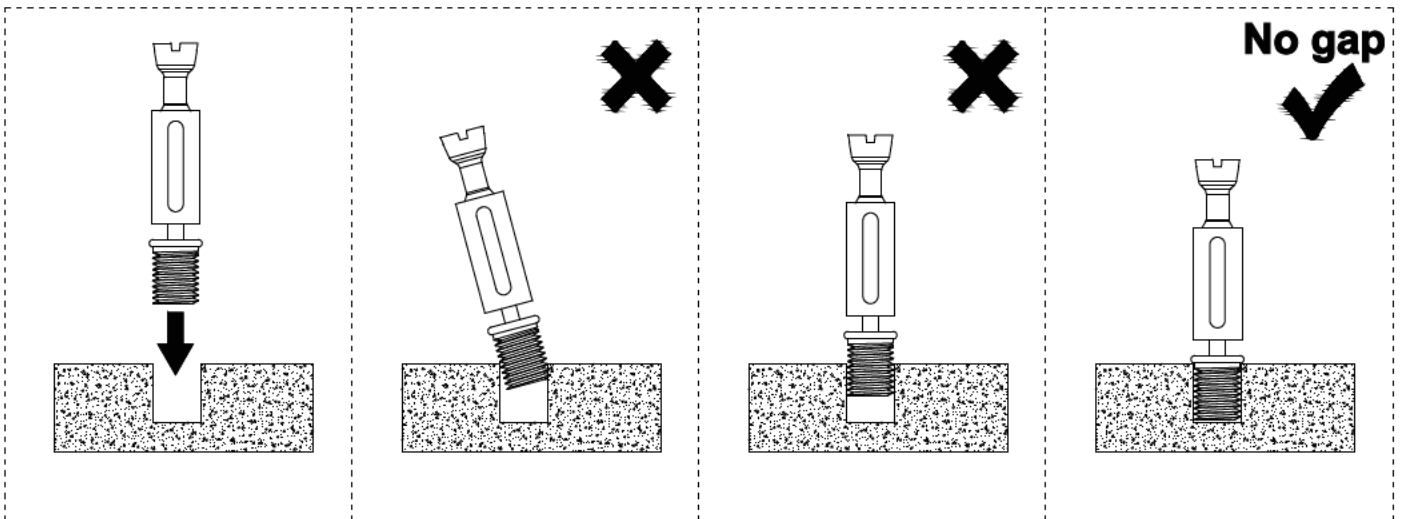
 1 1 pc	 2 1 pc	 3 1 pc	 4 1 pc	 5 1 pc
 6 1 pc	 7 1 pc	 8 1 pc	 9 1 pc	 10 1 pc
 11 1 pc	 12 1 pc	 13 1 pc	 14 1 pc	 15 1 pc
 16 1 pc	 17 2 pcs	 18 2 pcs	 19 1 pc	 20 1 pc
 21 2 pcs	 22 2 pcs	 23 2 pcs	 24 2 pcs	 16" 25 2 sets

Hardware List

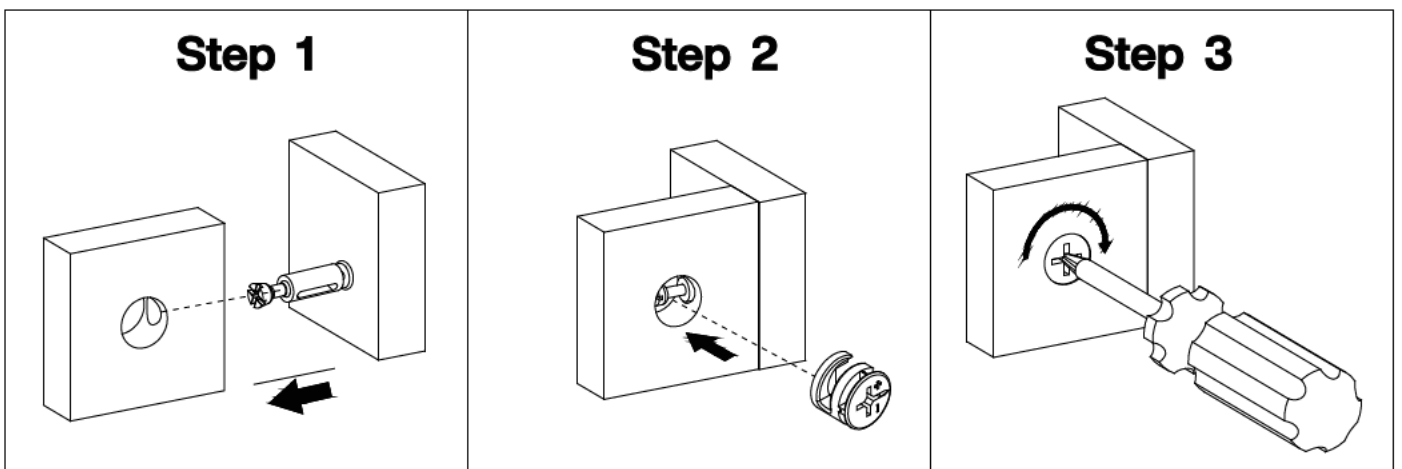
 A 8PCS M6x40mm	 B 51PCS M6x44.5mm	 C 51PCS Ø15	 D 16PCS M6x28mm	 E 16PCS Ø10	 F 5PCS M5x38mm
 G 8PCS Ø4x35mm	 H 24PCS Ø3.5x14mm	 I 26PCS Ø8x30mm	 J 32PCS Ø20	 K 15PCS Ø20	 L 1PC

Installation of Cams and Pins

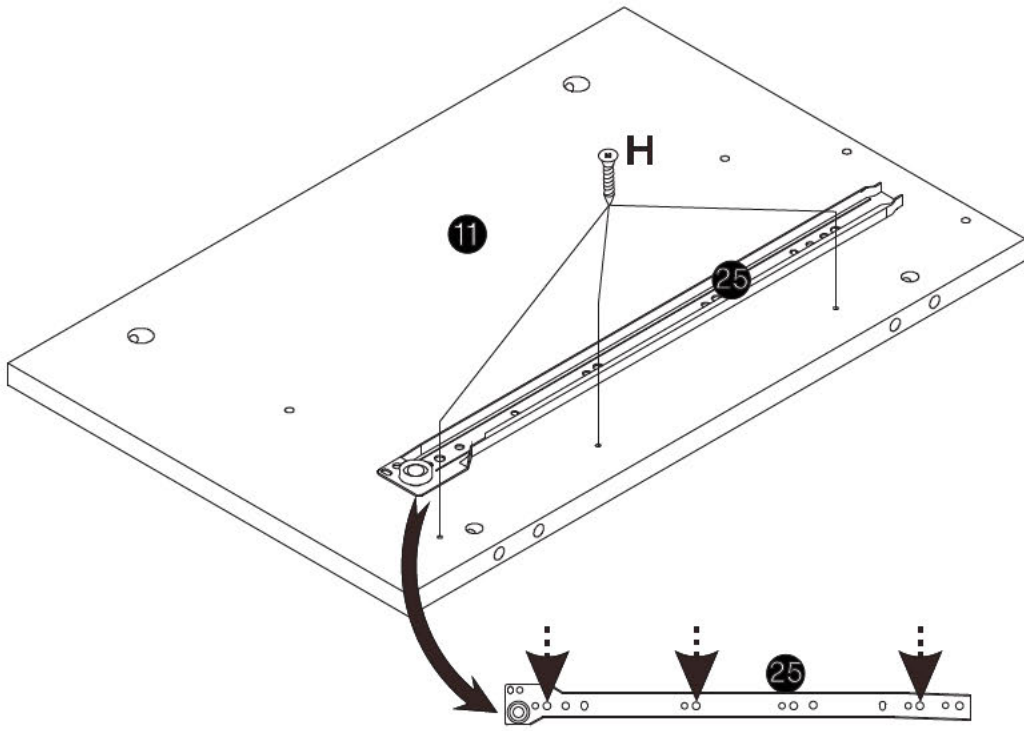
Read each step carefully before starting. Each step of instruction should be performed in the correct order. If these steps are not followed in sequence, assembly difficulties may occur.



Screw the pin into the hole. Set the cams correctly by aligning the head of the cams with the lock pins. Lock the cam by turning the cam head with a screwdriver until it is tightened. Please do not use an electric screwdriver to assemble the unit.

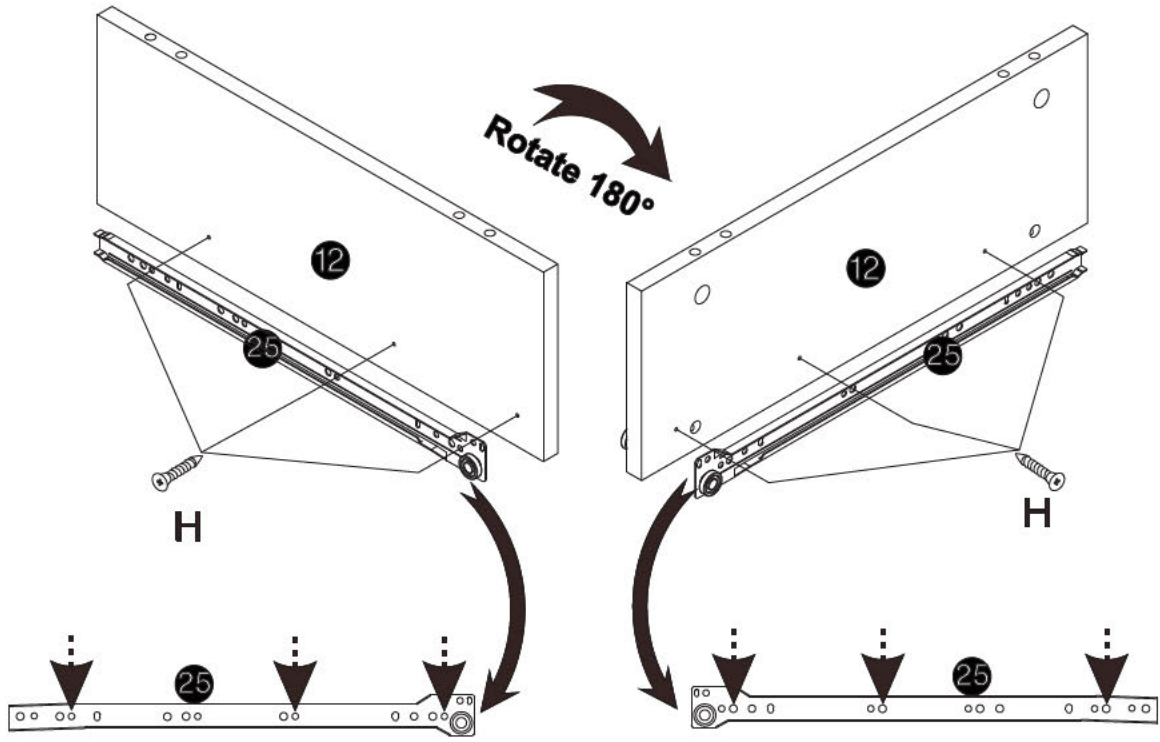


1



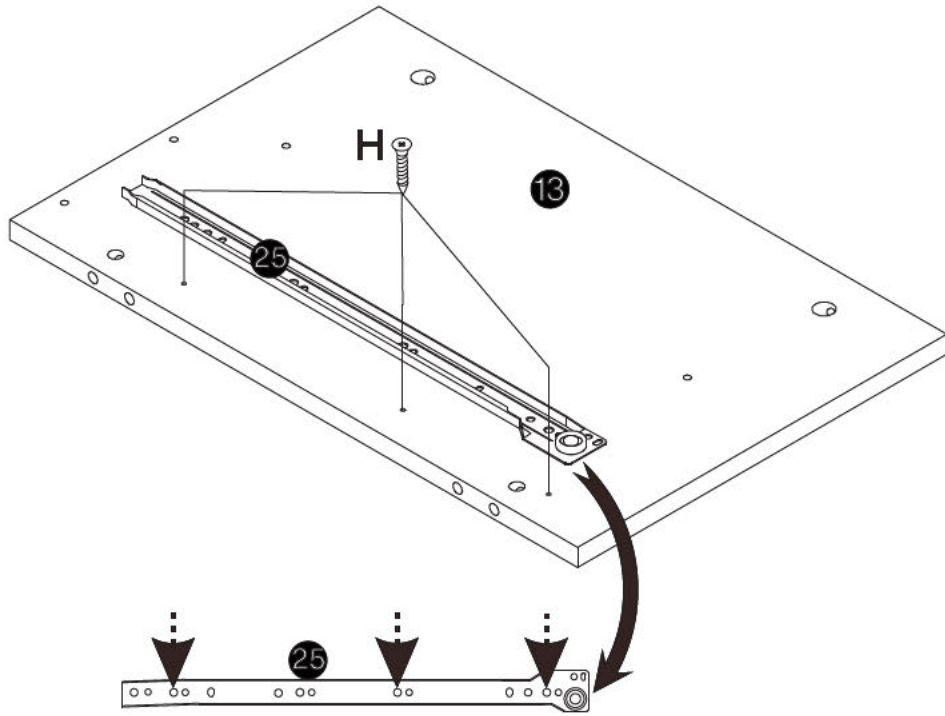
H
3PCS

2



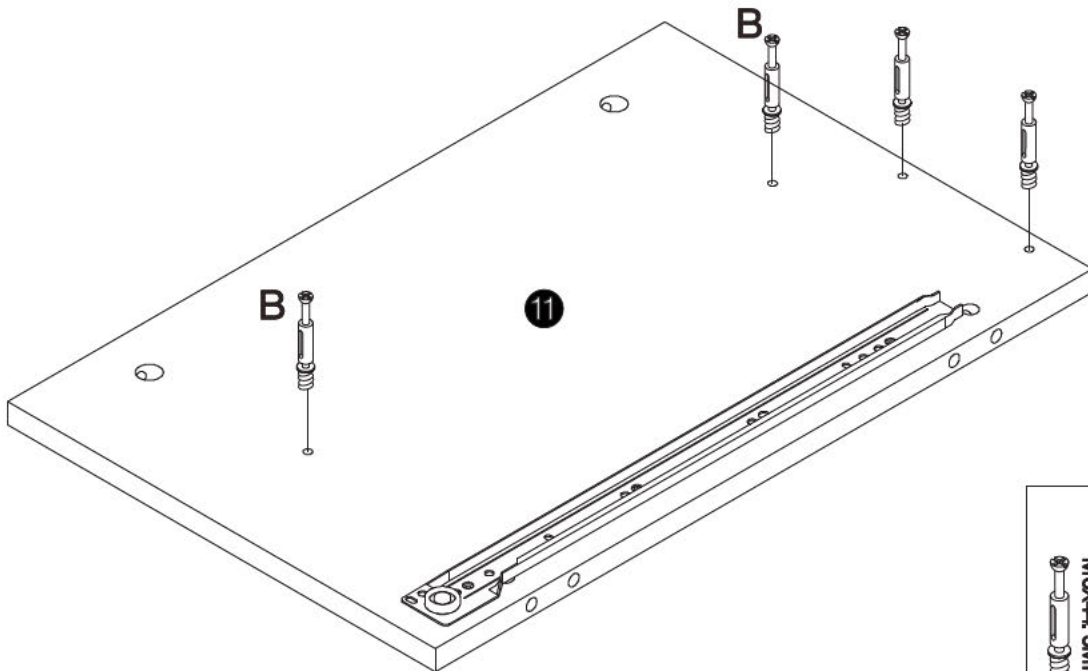
H
6PCS

3





H
3PCS

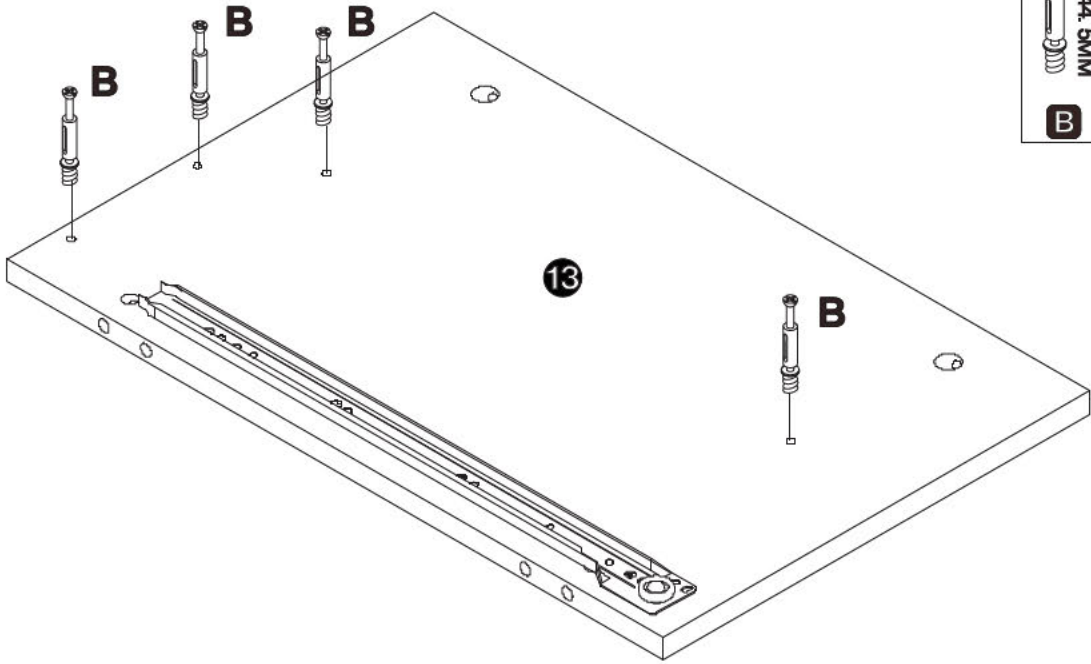
4





B
4PCS

 M6X4.5MM B	 M6X28MM D
---	--

5

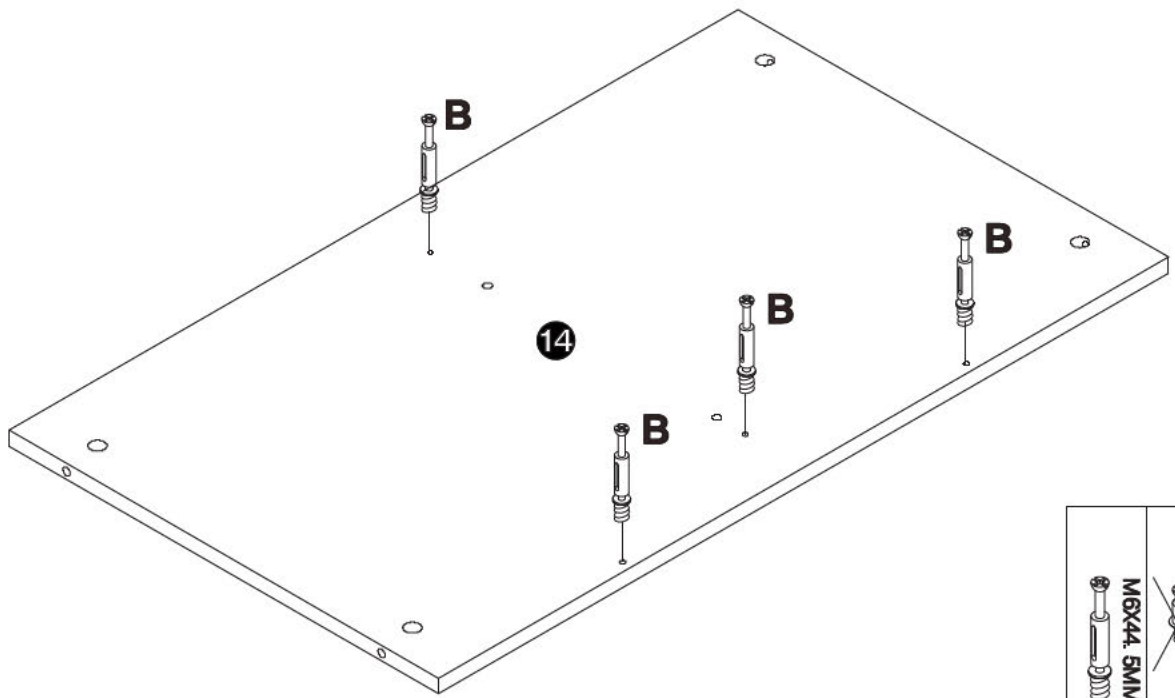




 M6X44, 5MM	 M6X28MM
B	D



B
4PCS

6

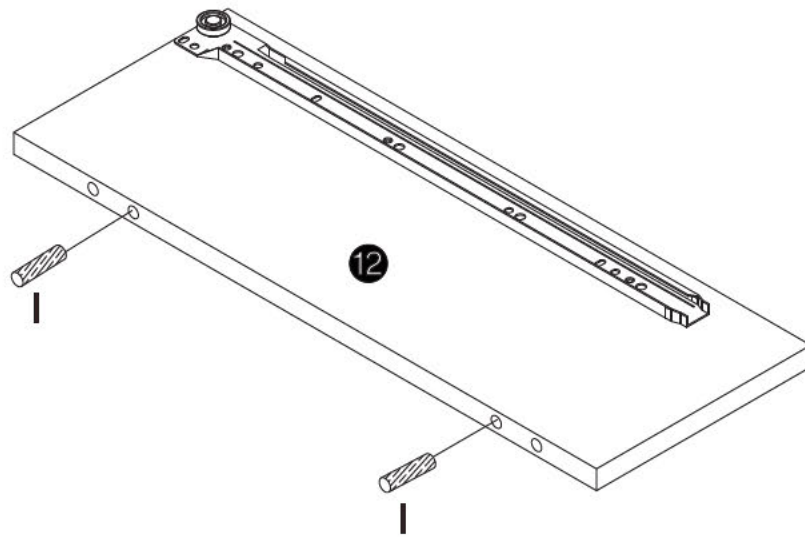


 M6X44, 5MM	 M6X28MM
B	D

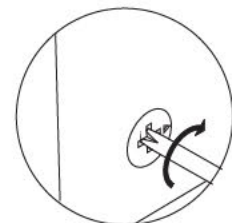
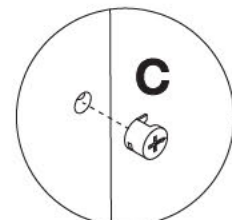
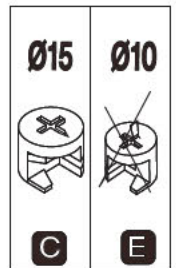
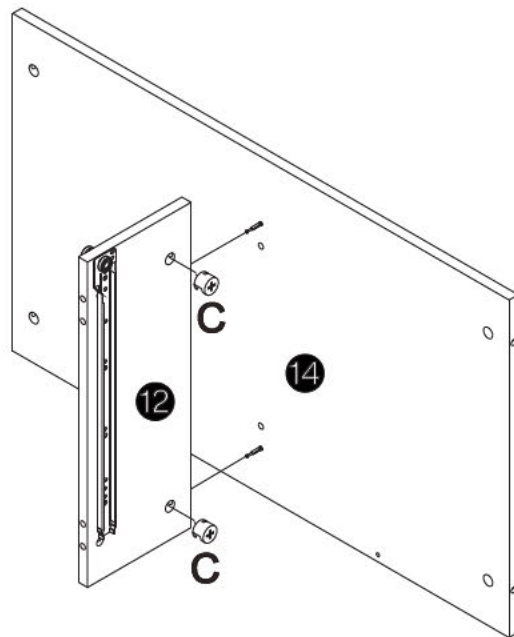


B
4PCS

7

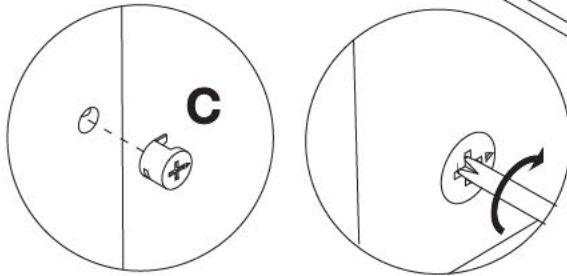
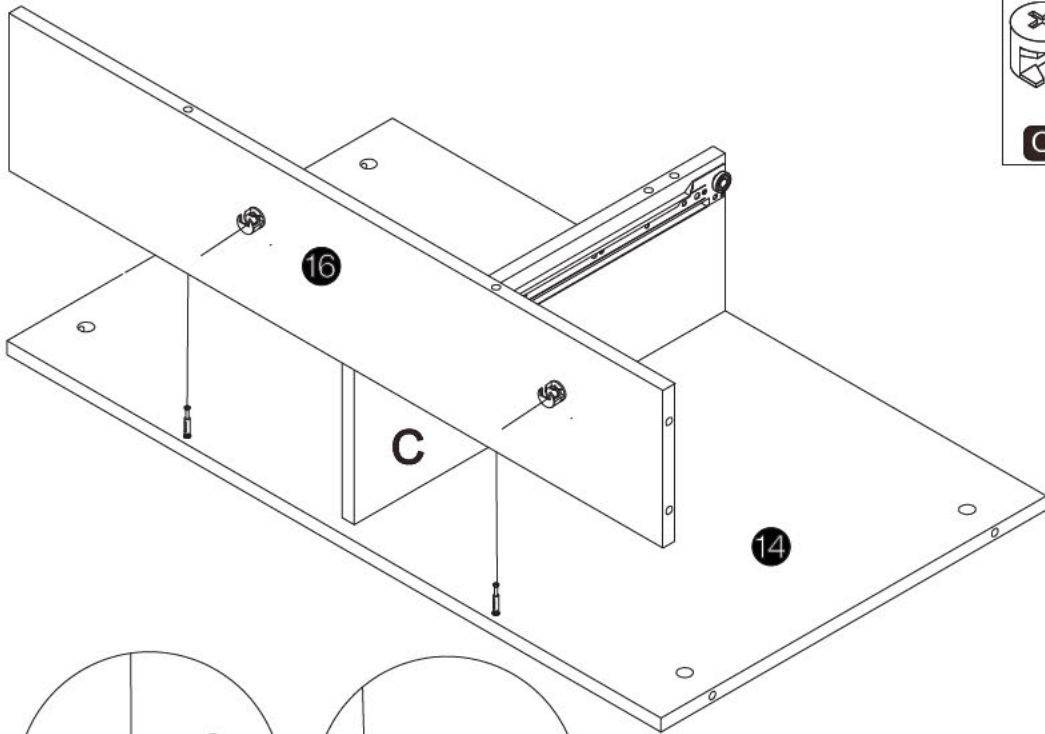


8



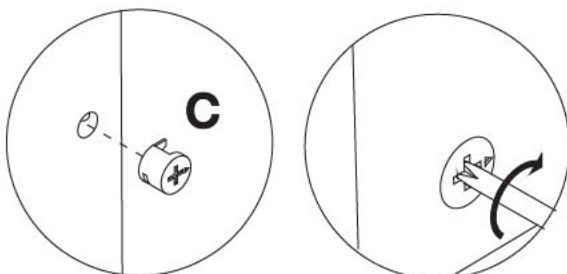
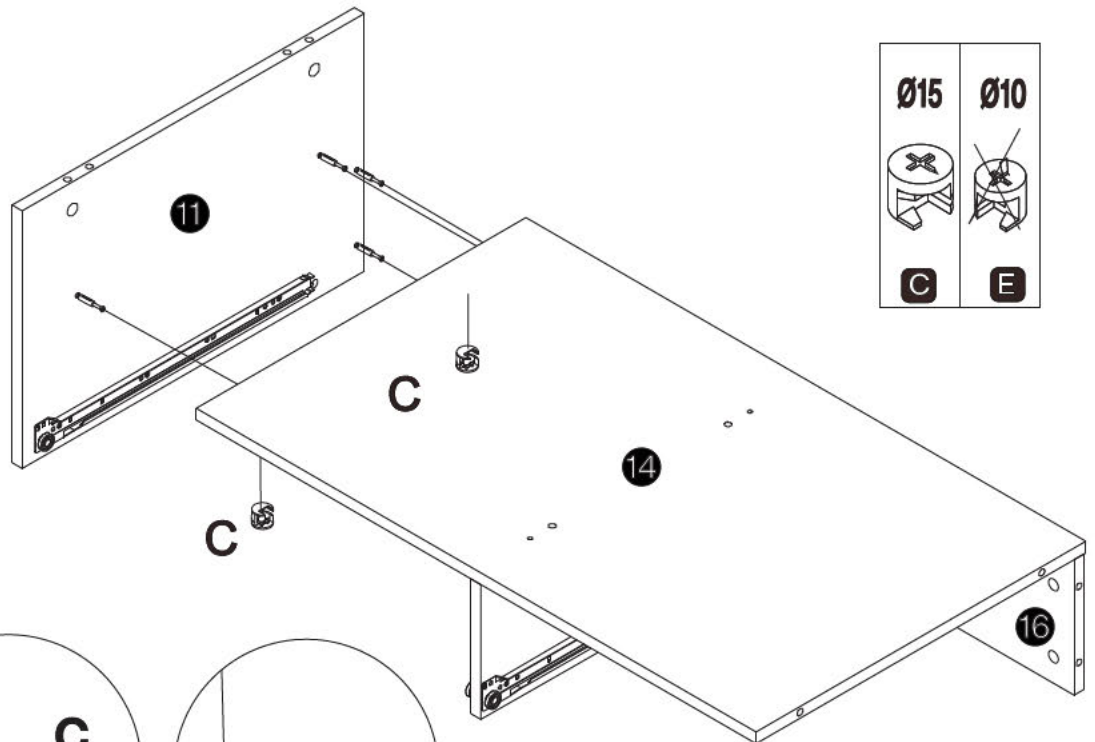
9

Ø15	Ø10
C	E

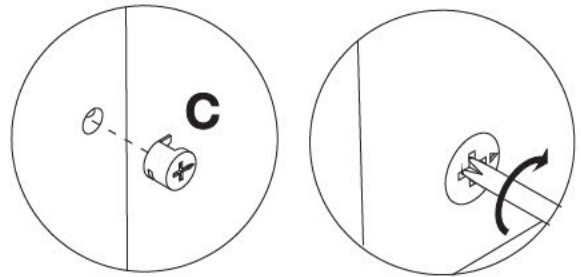
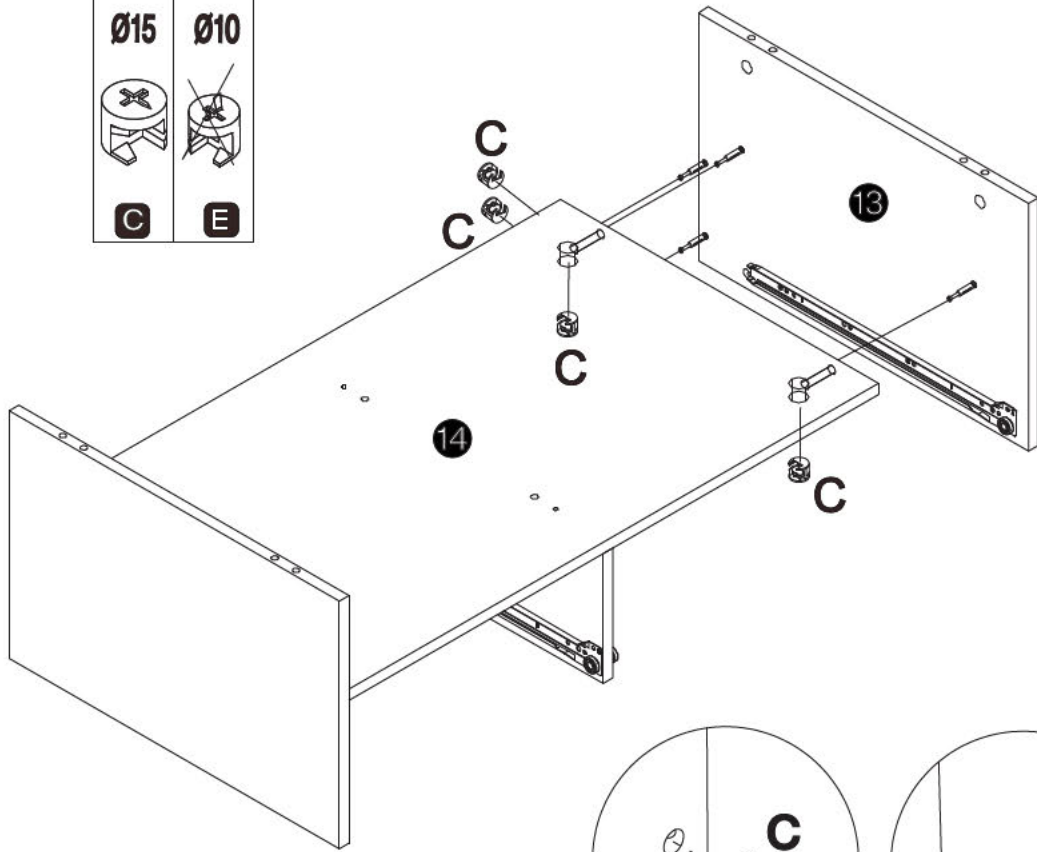
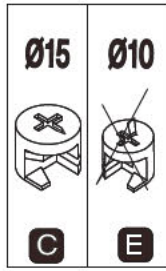


10

Ø15	Ø10
C	E

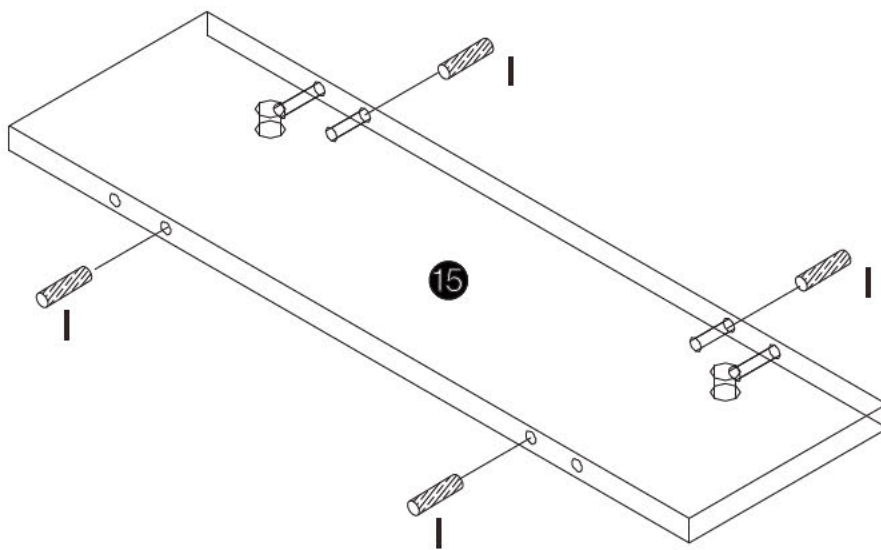


11



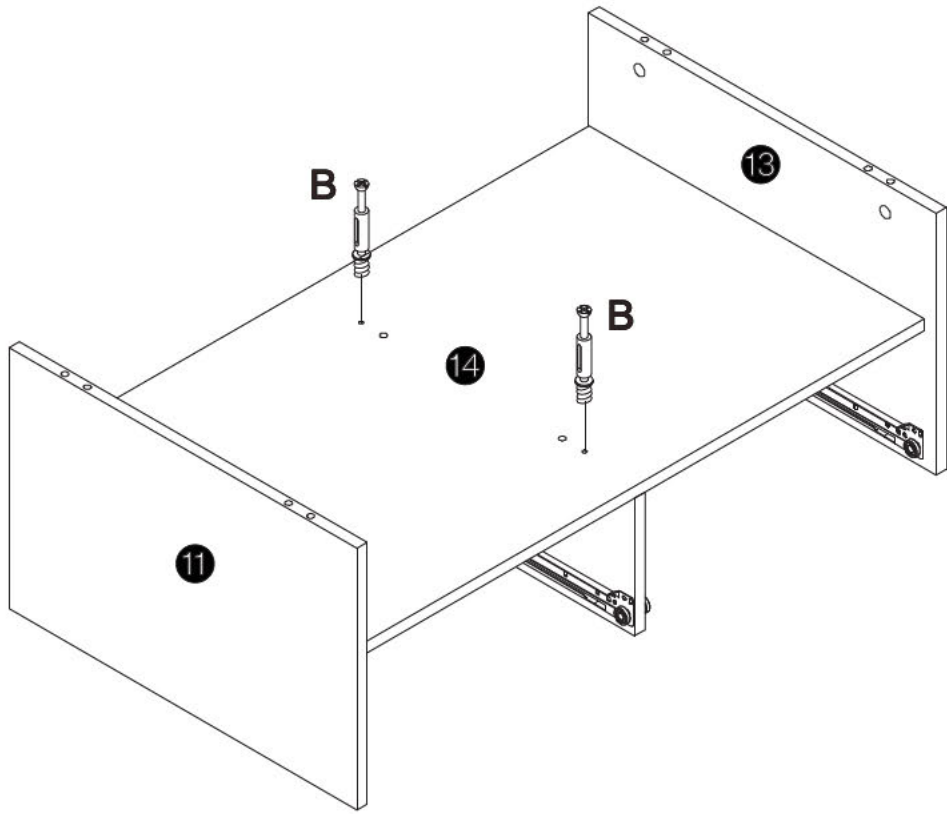
C
4PCS

12





I
4PCS

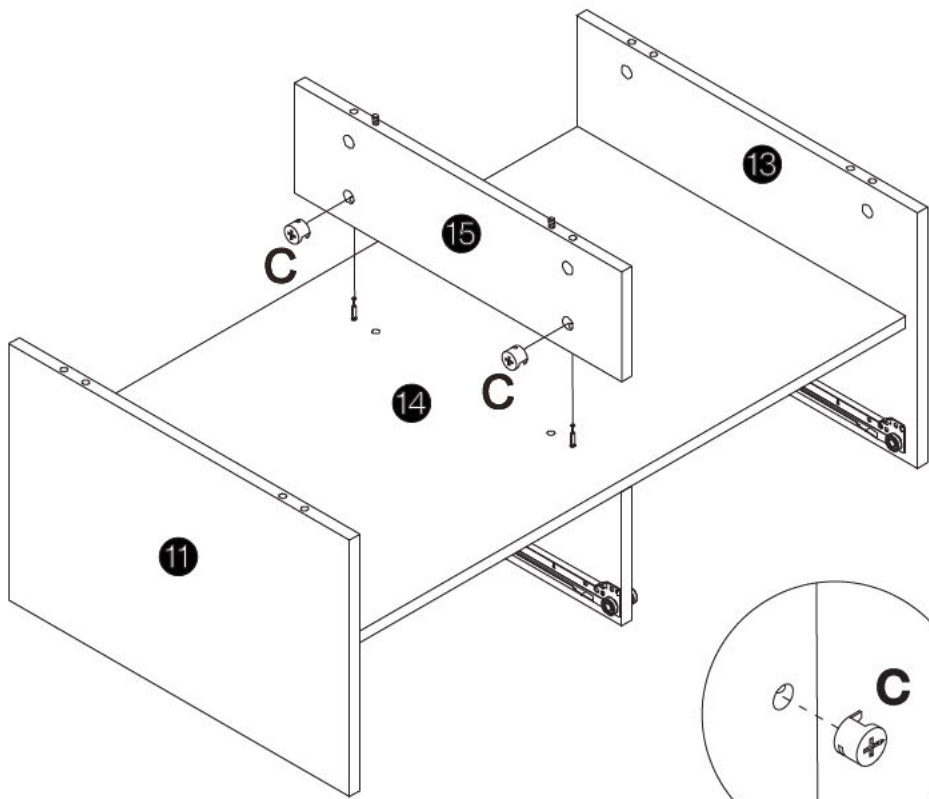
13





B
2PCS

	
M6X44, 5MM	M6X28MM
B	D

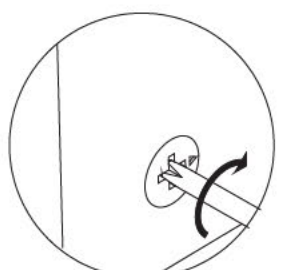
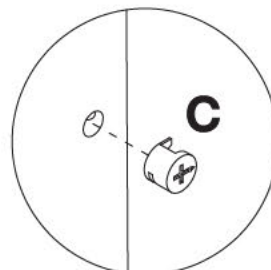
14



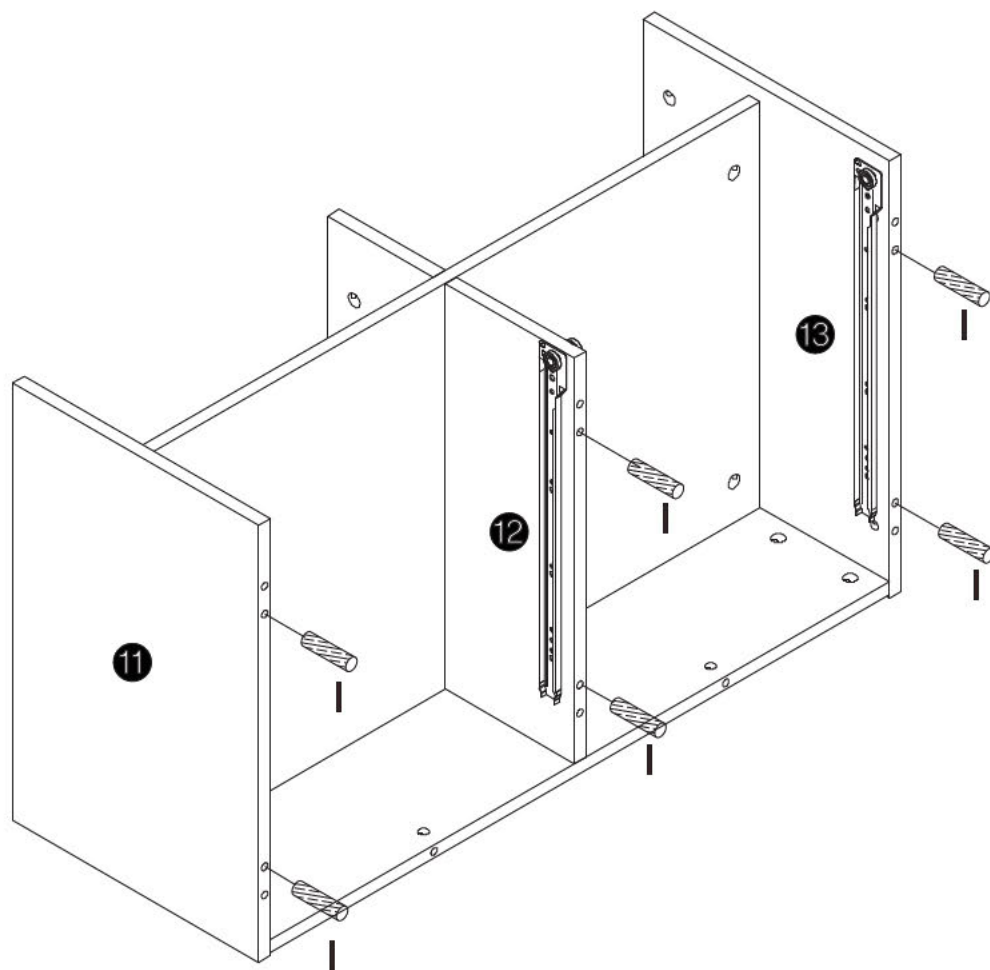
	
Ø15	Ø10
C	E



C
2PCS

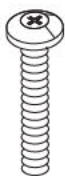
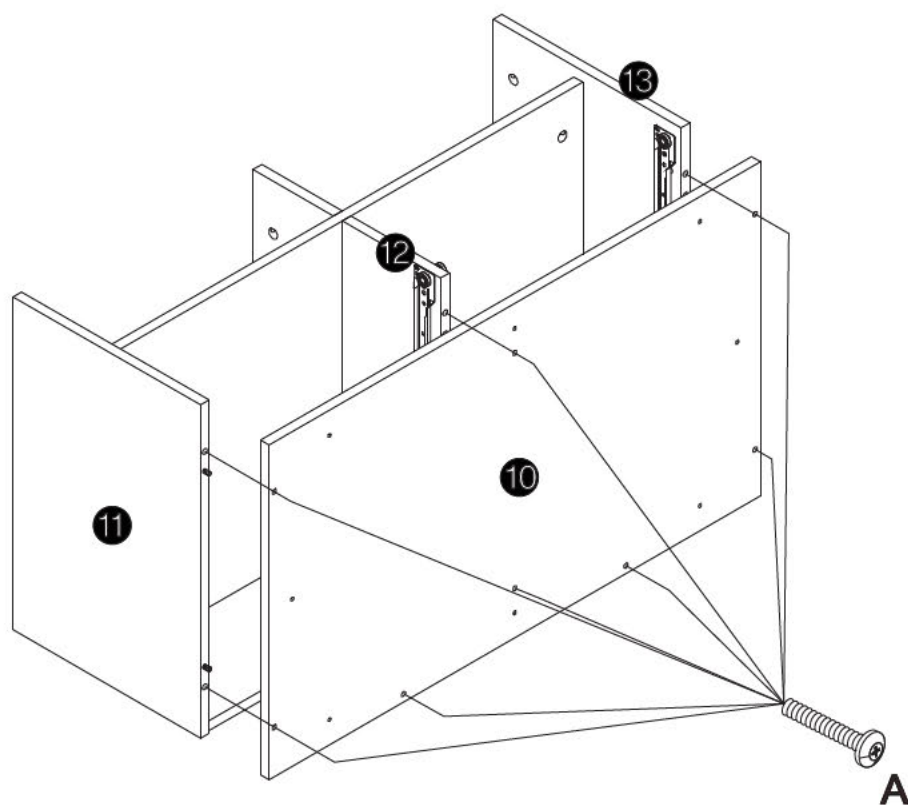


15



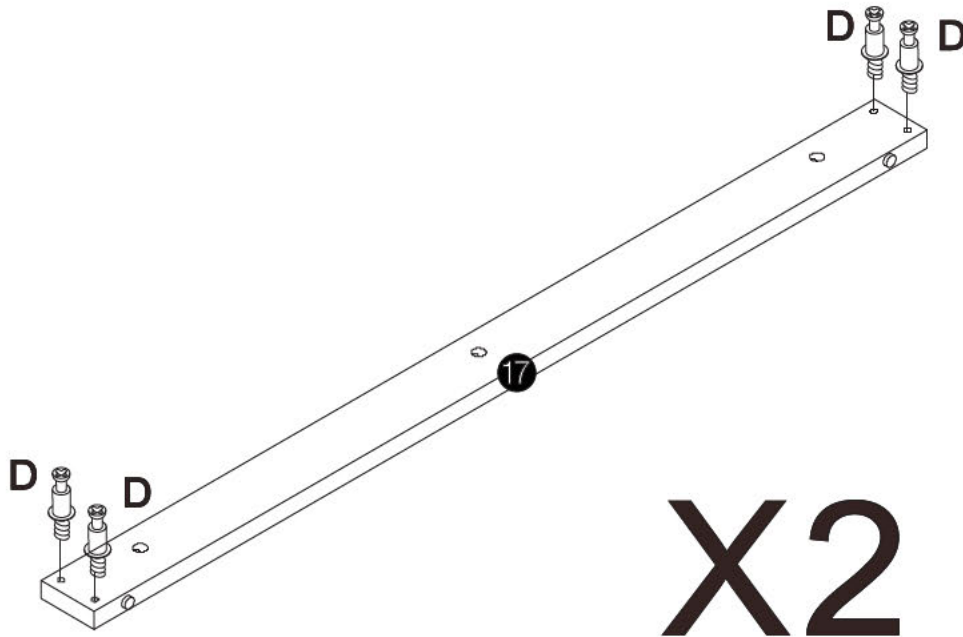
1
6PCS



16



A
8PCS

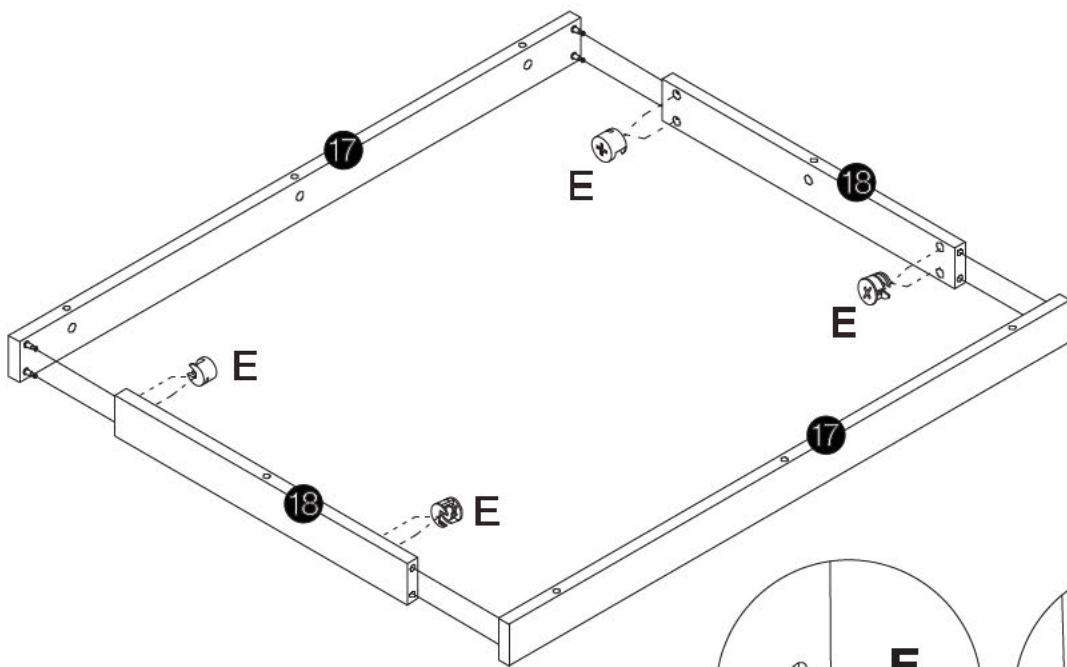
17





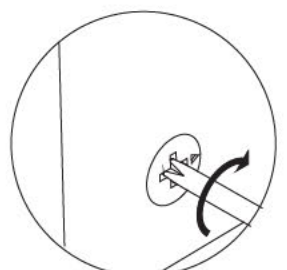
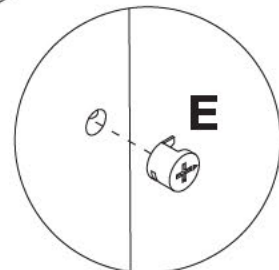
 M6X28MM D	 M6X44 5MM B
--	--



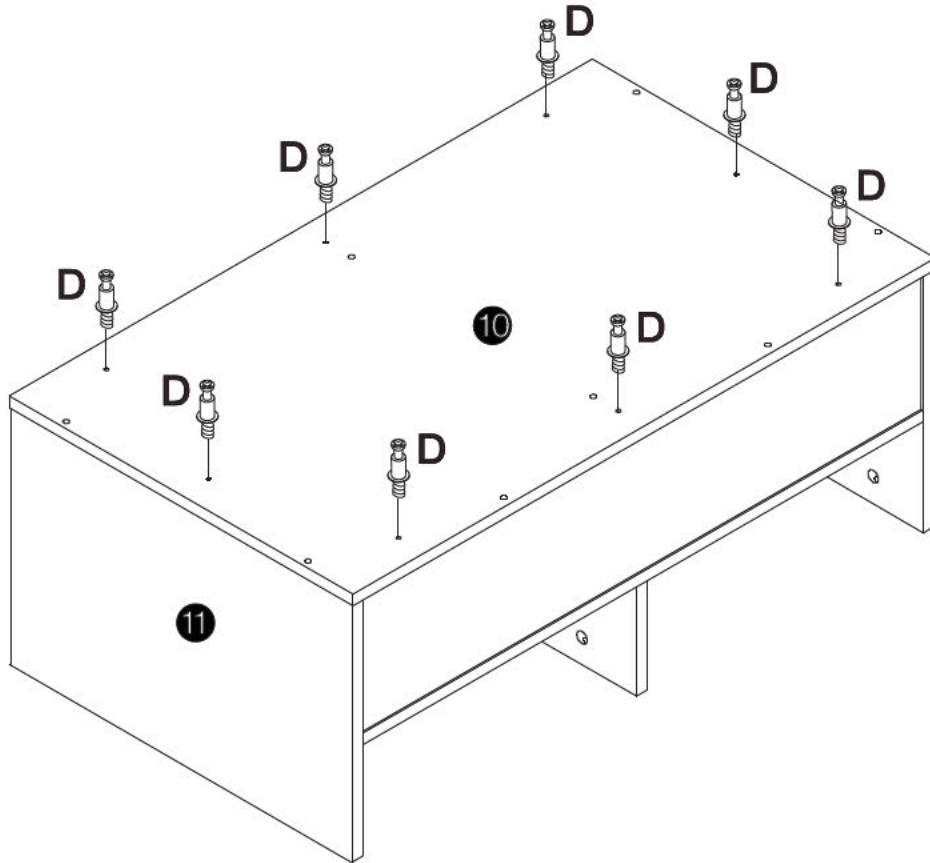
18





 Ø10 E	 Ø15 C
--	--



19

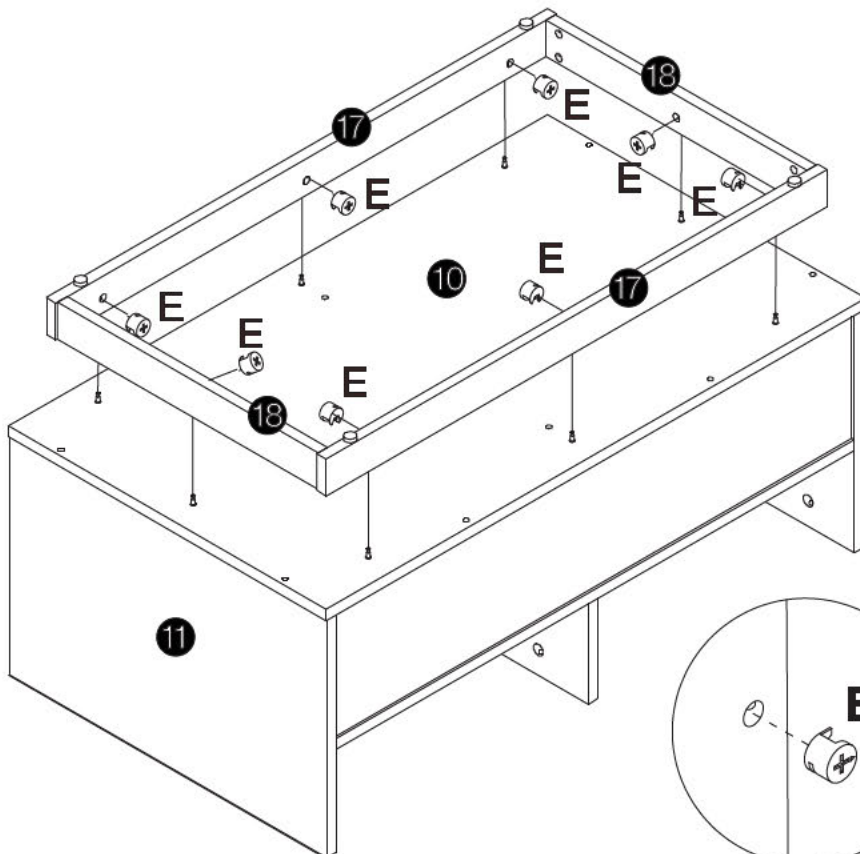



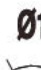
 M6x28MM	 M6x44, 5MM
D	B



D
8PCS

20

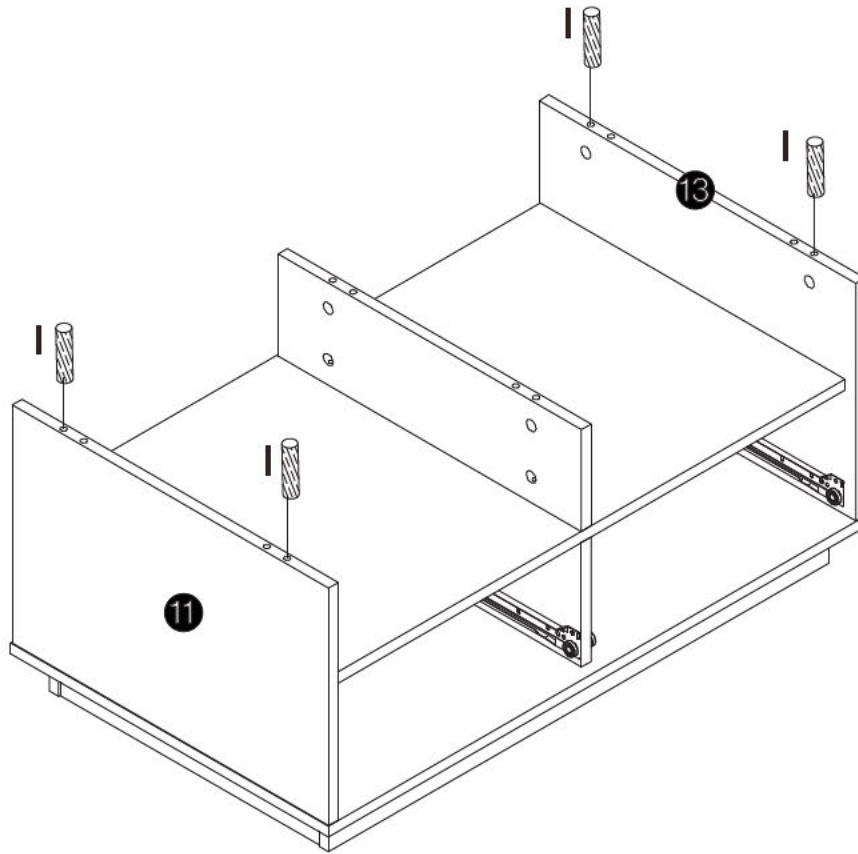


 Ø10	 Ø15
E	C



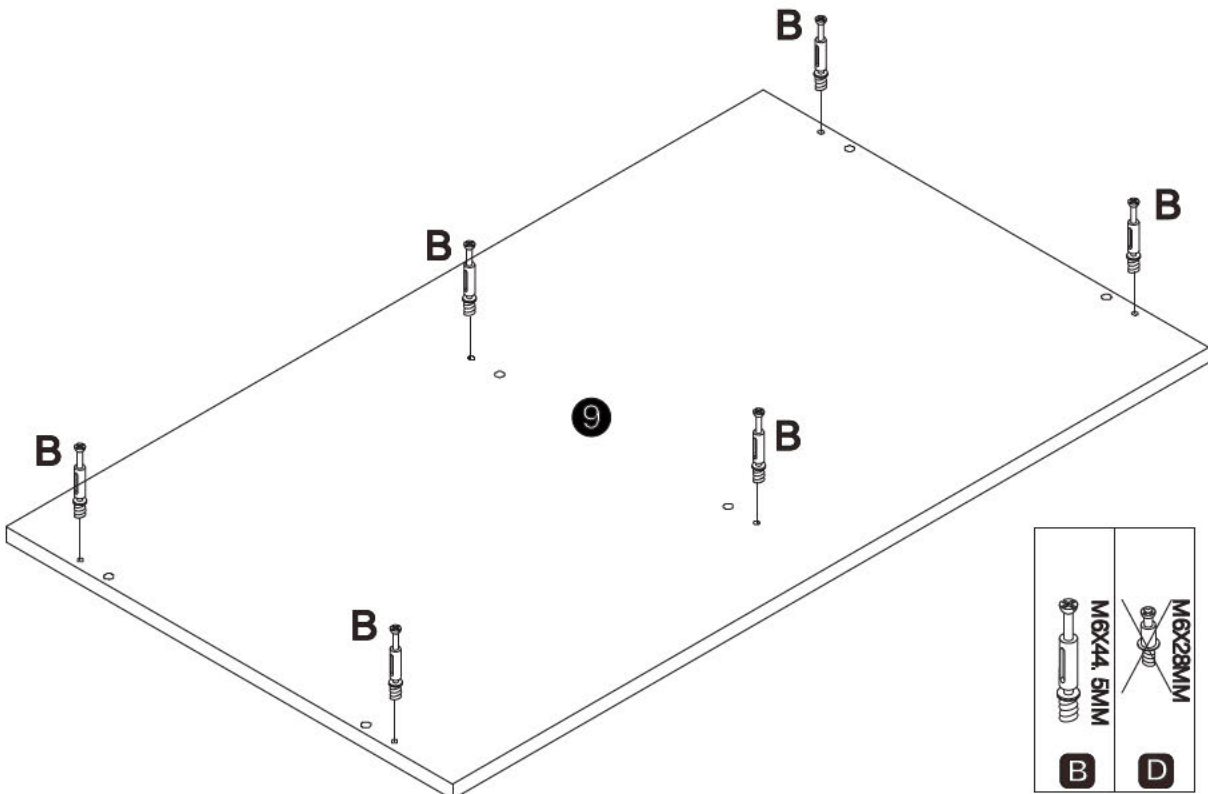
E
8PCS

21





I
4PCS

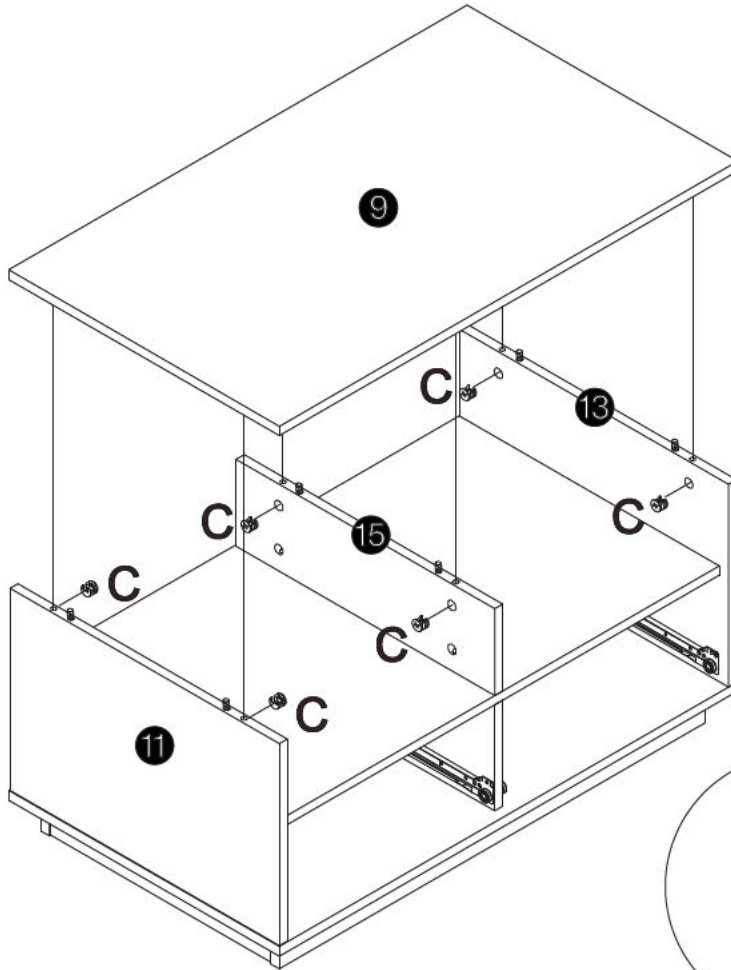
22



B
6PCS

 MSX44, 5MM B	 MSX28MM D
---	---

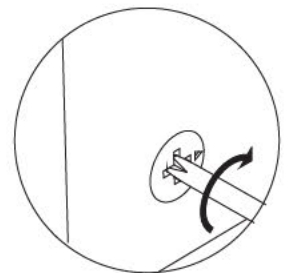
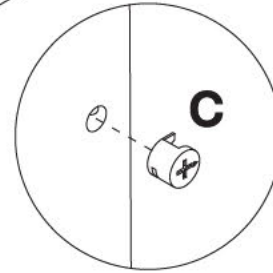
23



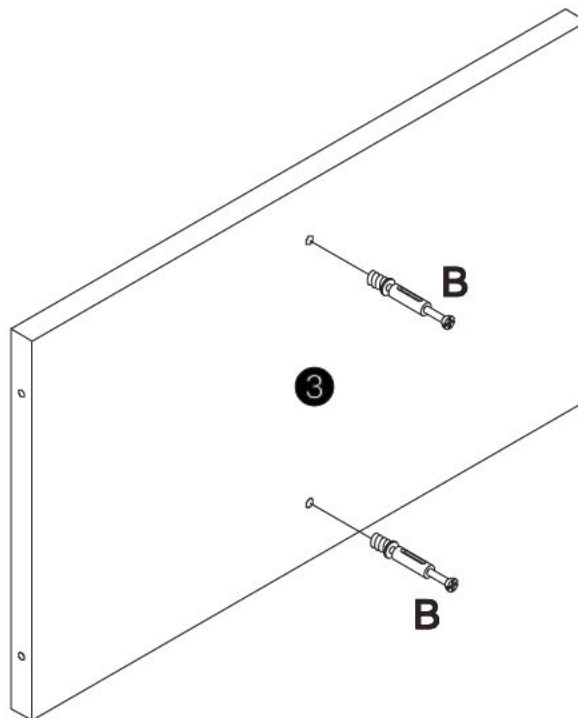
$\varnothing 15$	$\varnothing 10$
C	E



C
6PCS



24

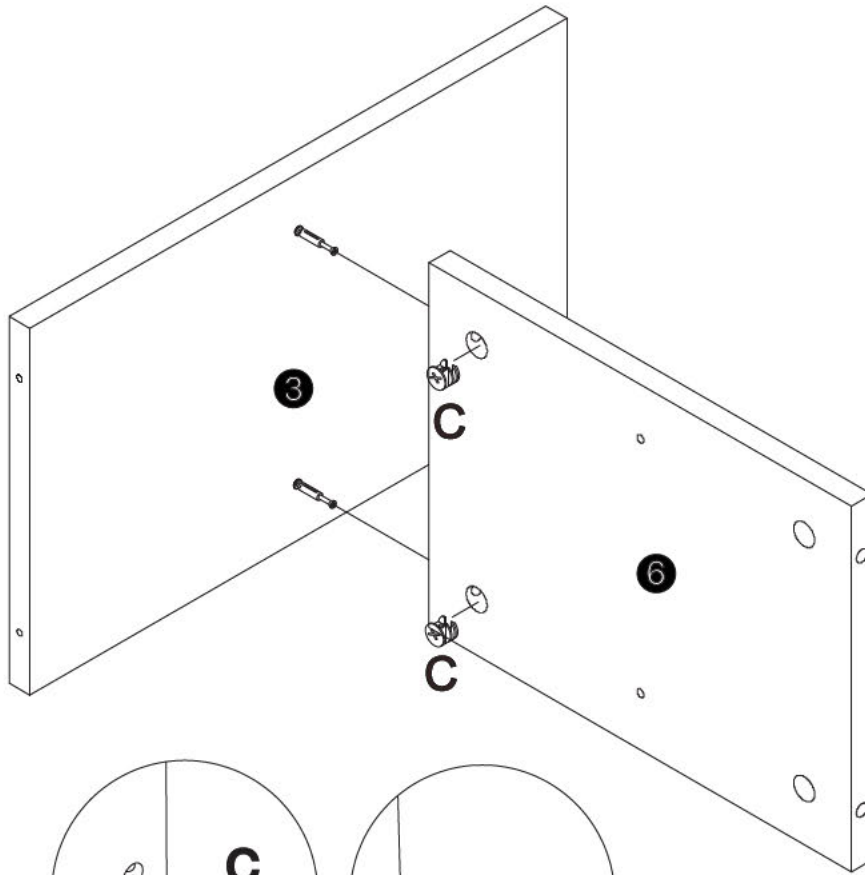


M6x44, 5MM	M6x28MM
B	D



B
2PCS

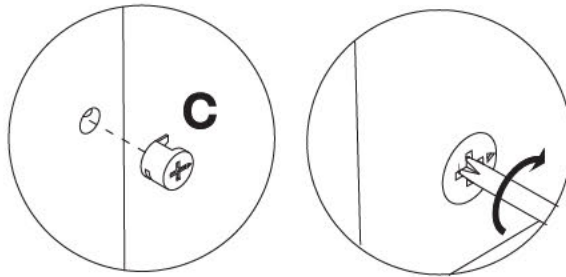
25



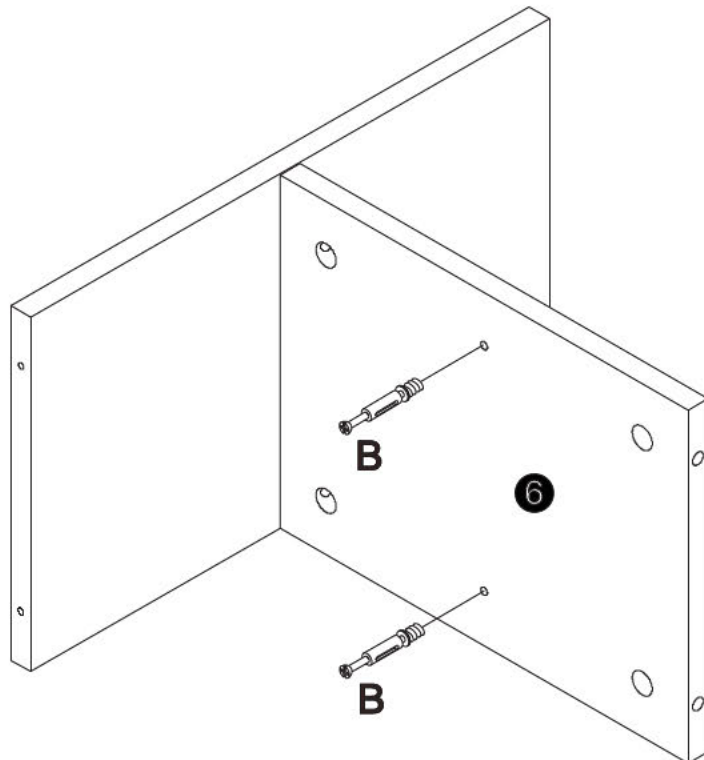
Ø15	Ø10
C	E



C
2PCS



26

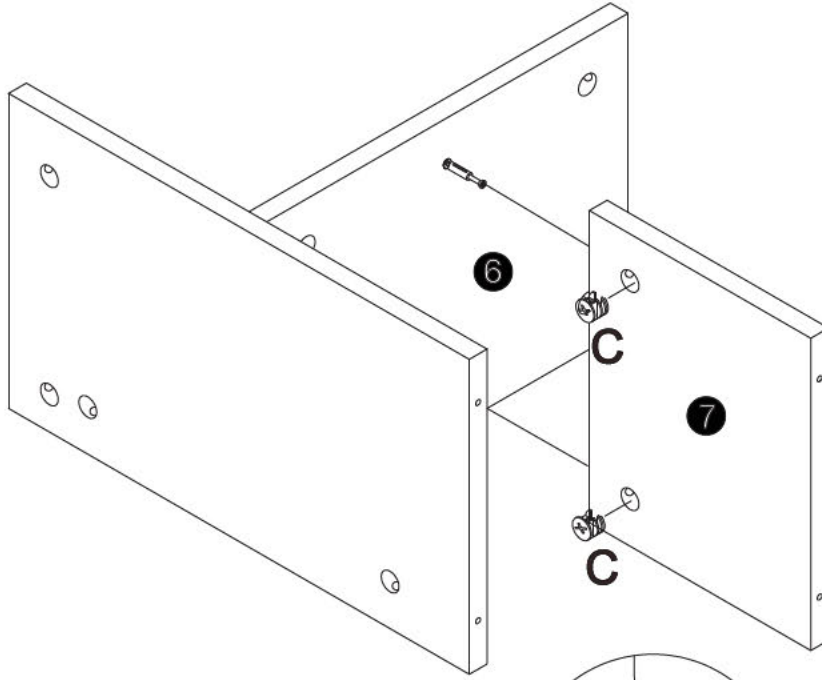


M6x44, 5MM	M6x28MM
B	D



B
2PCS

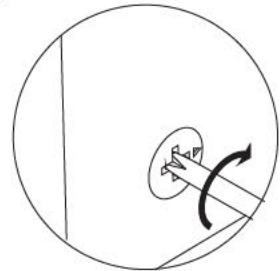
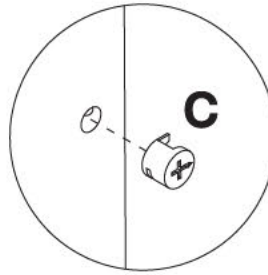
27



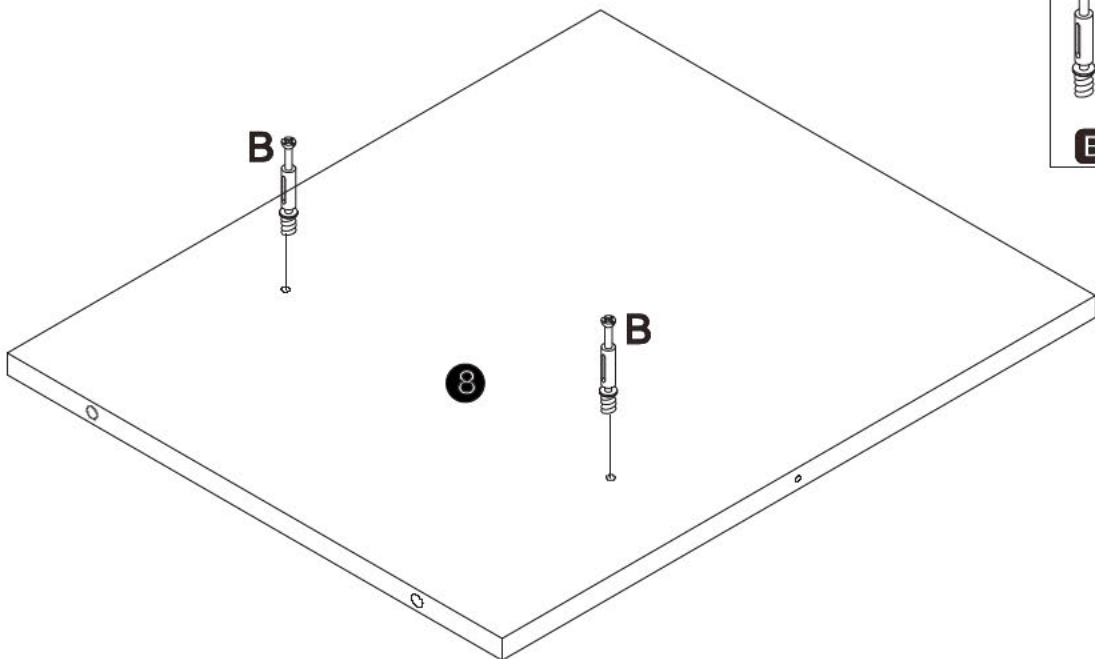
$\varnothing 15$	$\varnothing 10$
C	E



C
2PCS



28

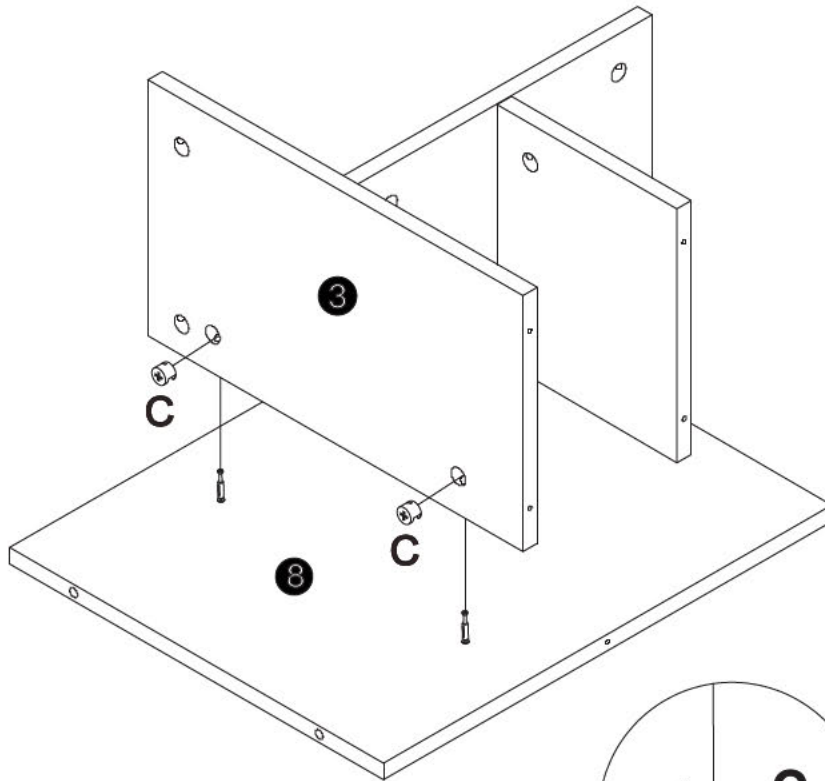


M6x44, 5MM	M6x28MM
B	D



B
2PCS

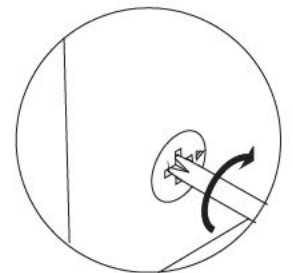
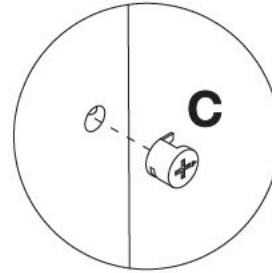
29



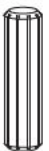
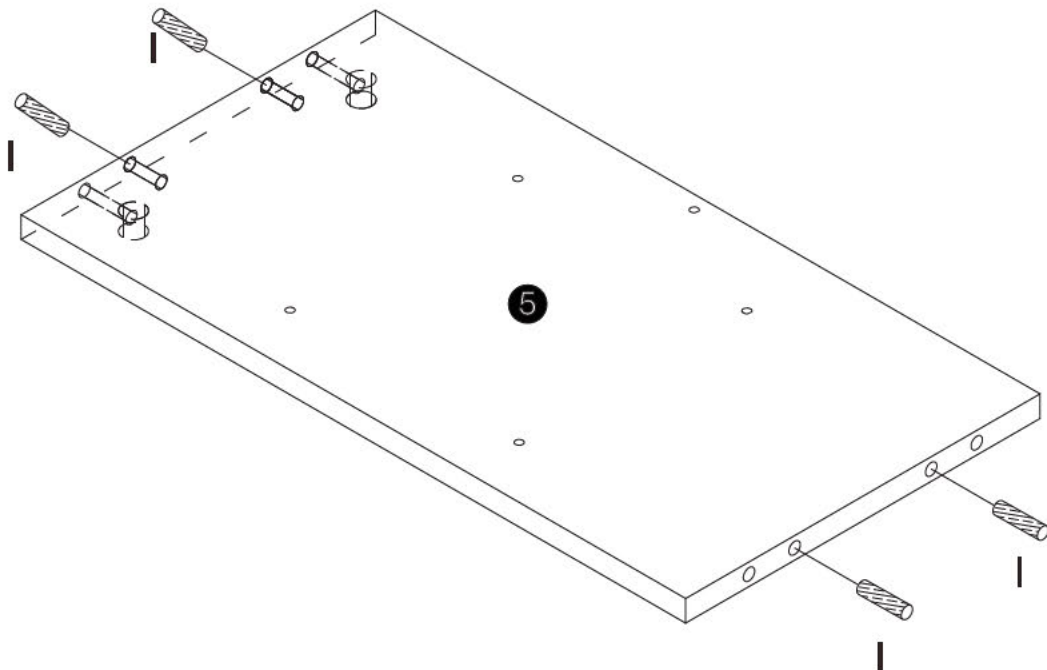
Ø15	Ø10
C	E



C
2PCS

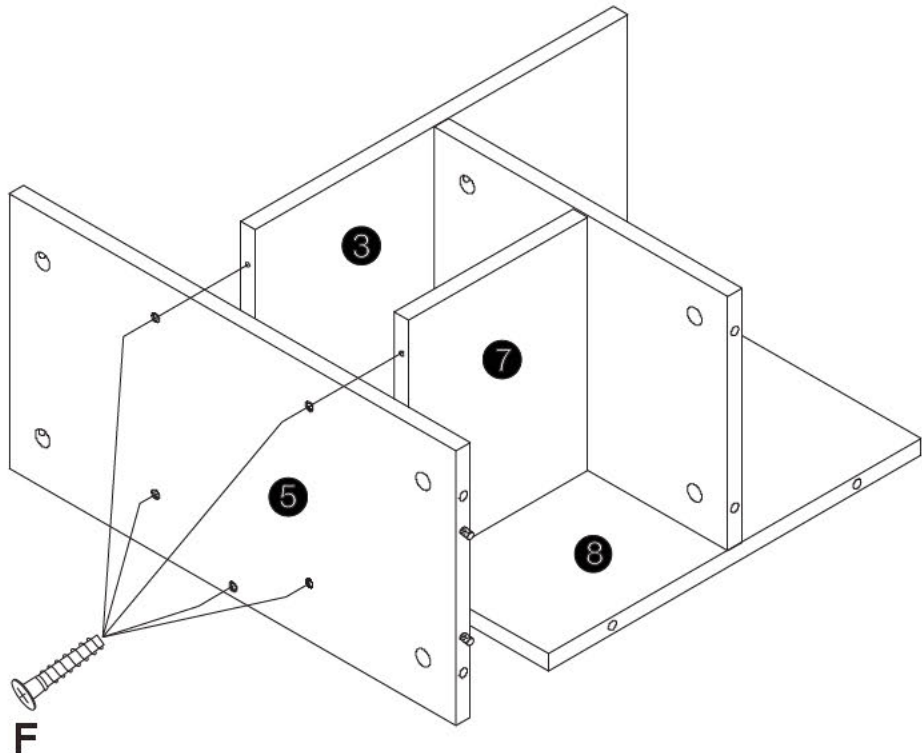


30



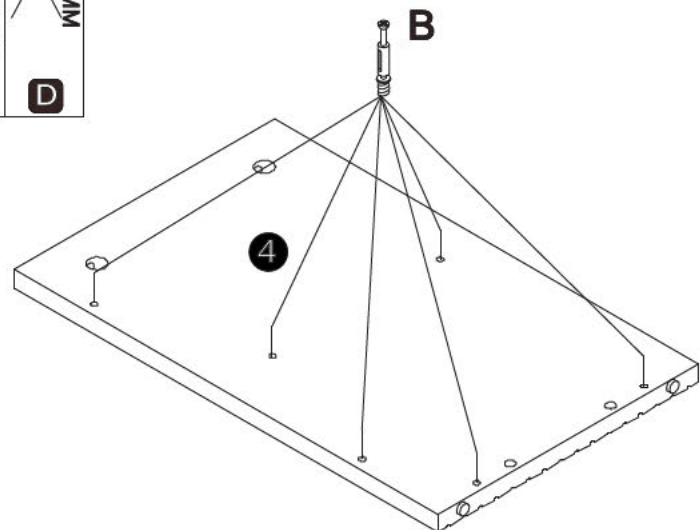
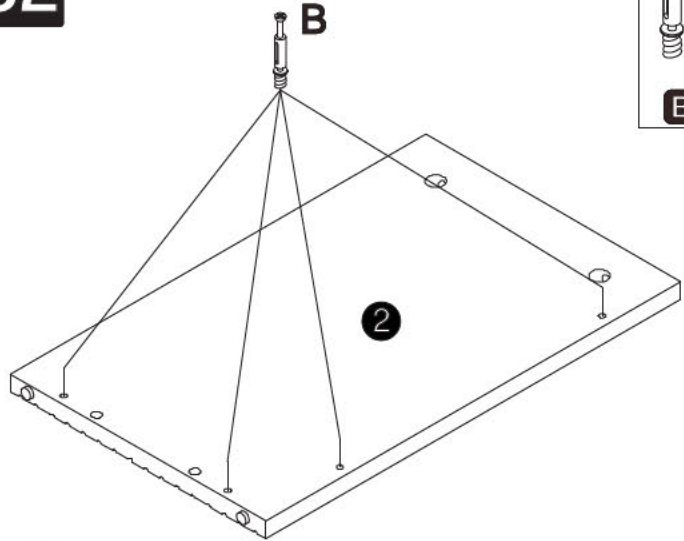
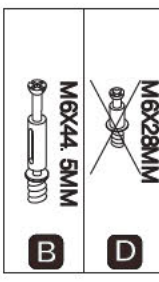
I
4PCS

31



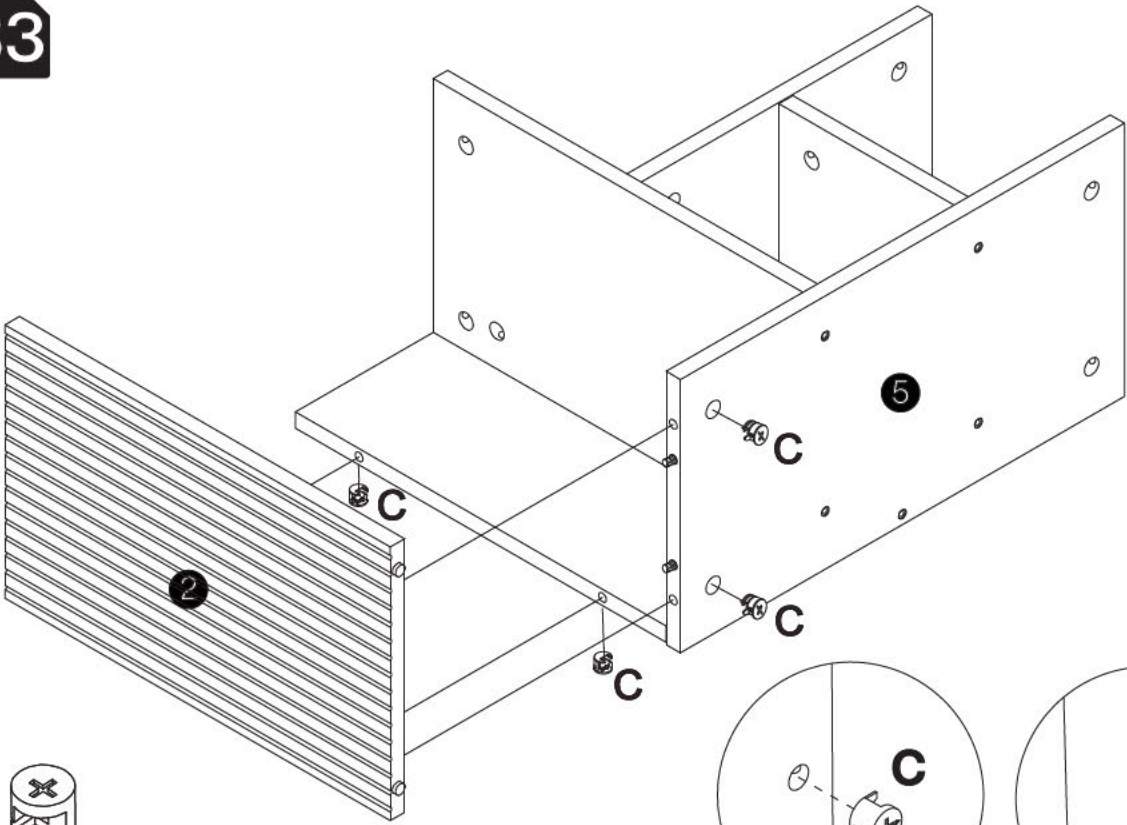
F
5PCS

32

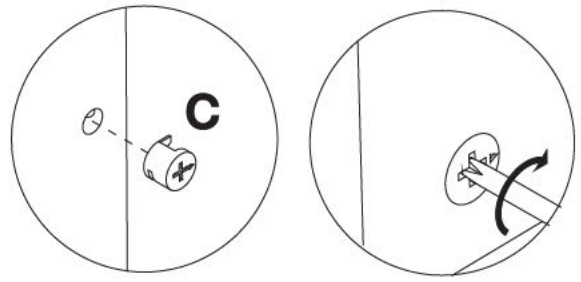


B
10PCS

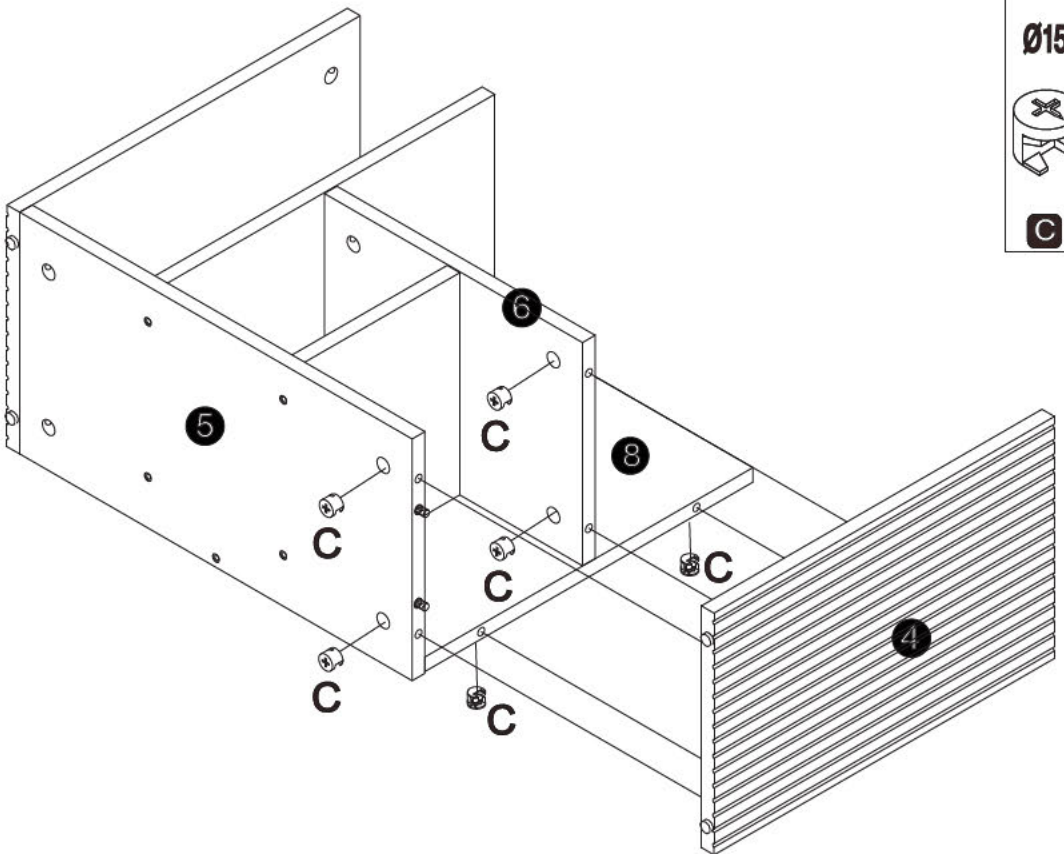
33



Ø15	Ø10
C	E



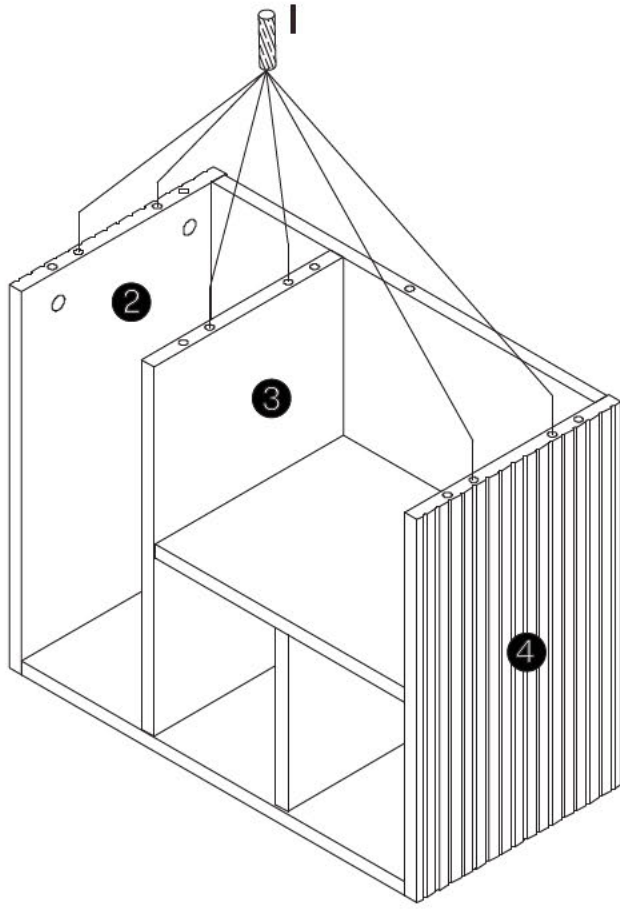
34



Ø15	Ø10
C	E



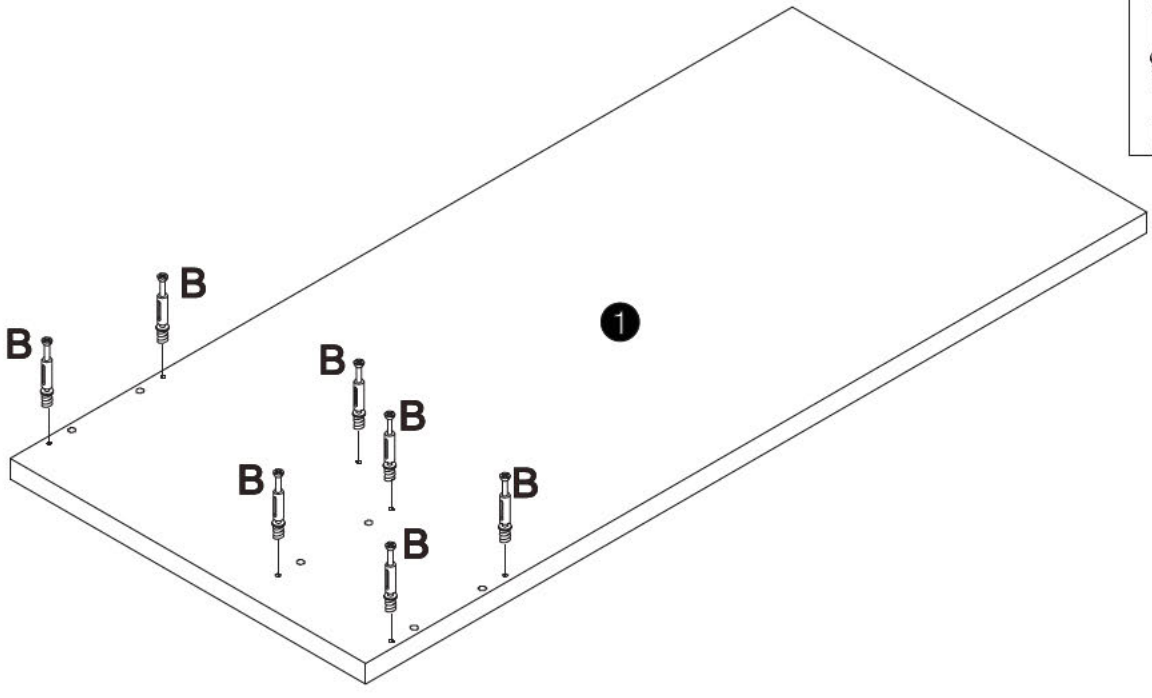
35





I

6PCS

36





 M6X44 5MM B	 M6X28MM D
--	--

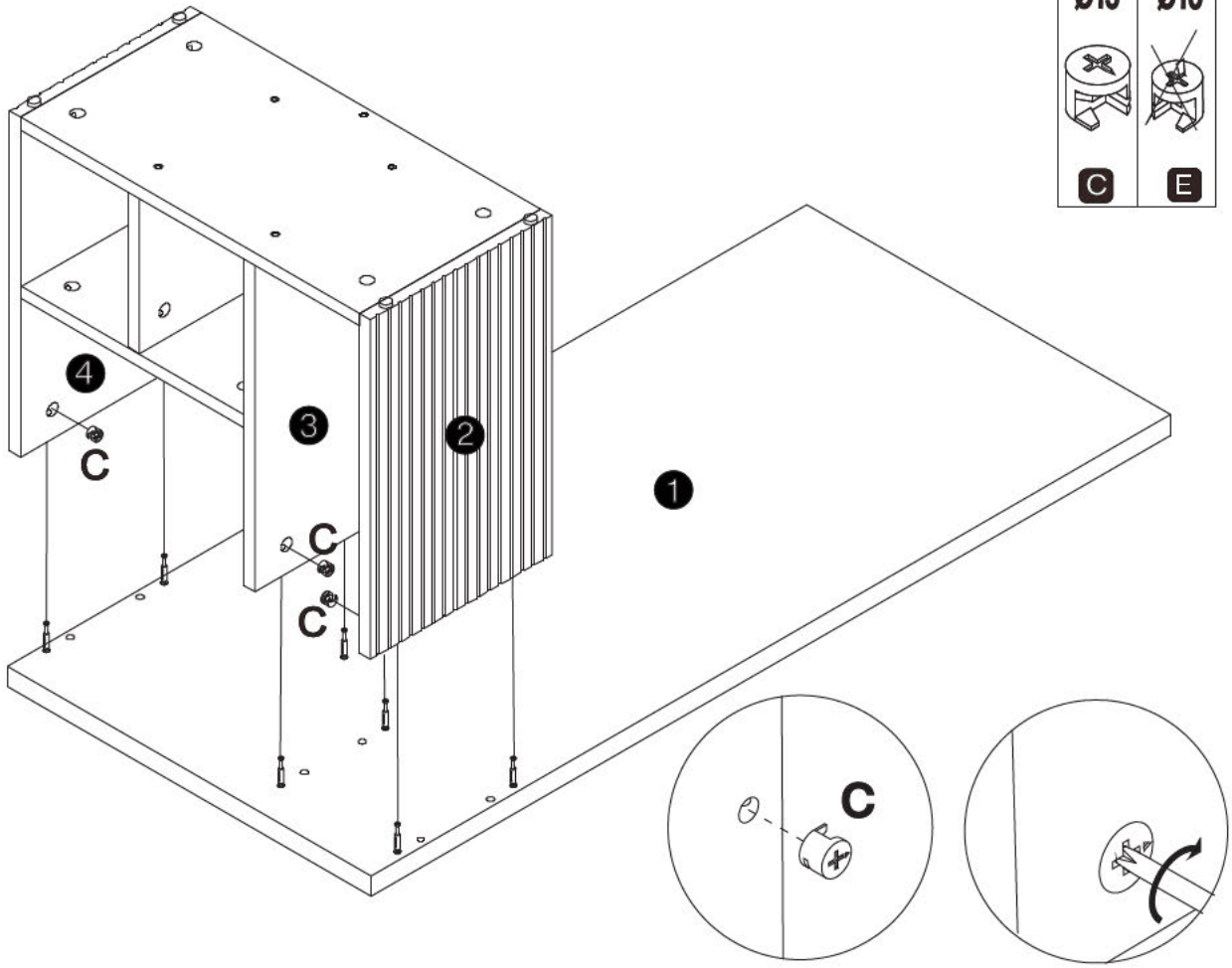


B

7PCS

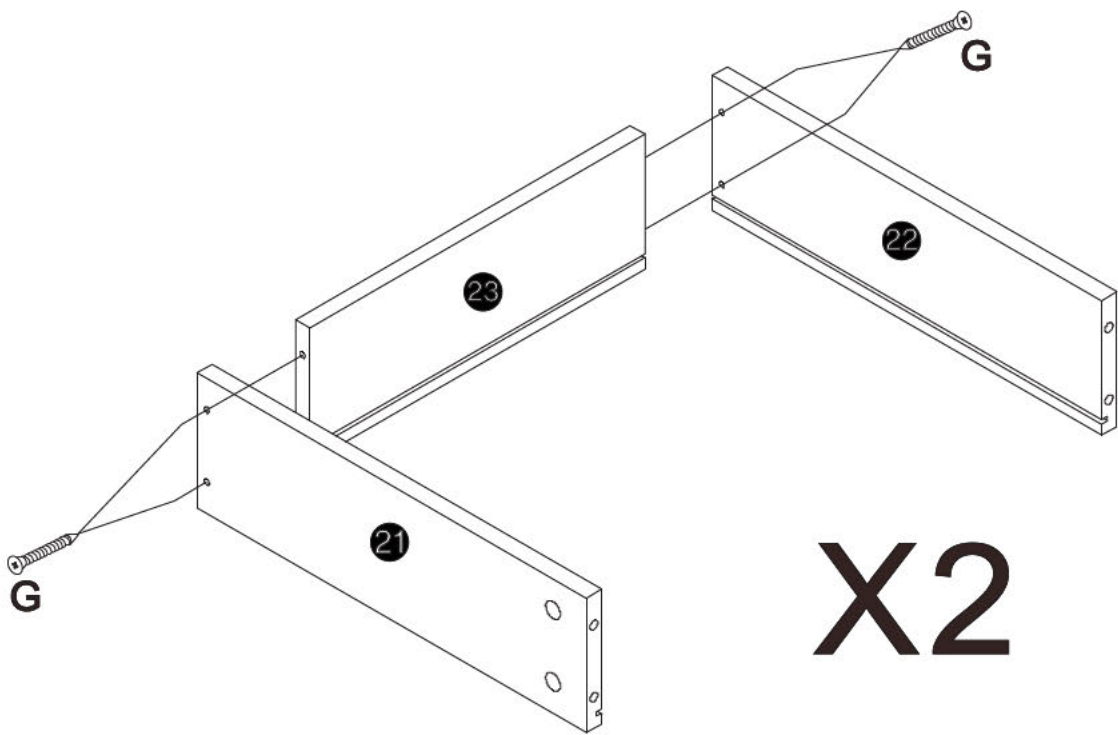
37

Ø15	Ø10
	
C	E



C
7PCS

38

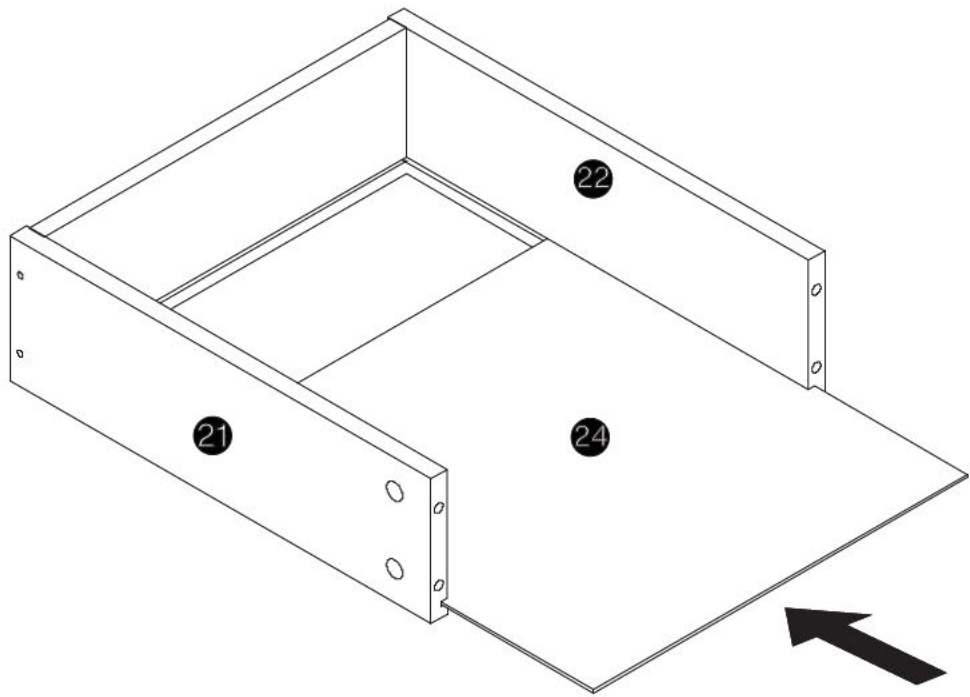


X2



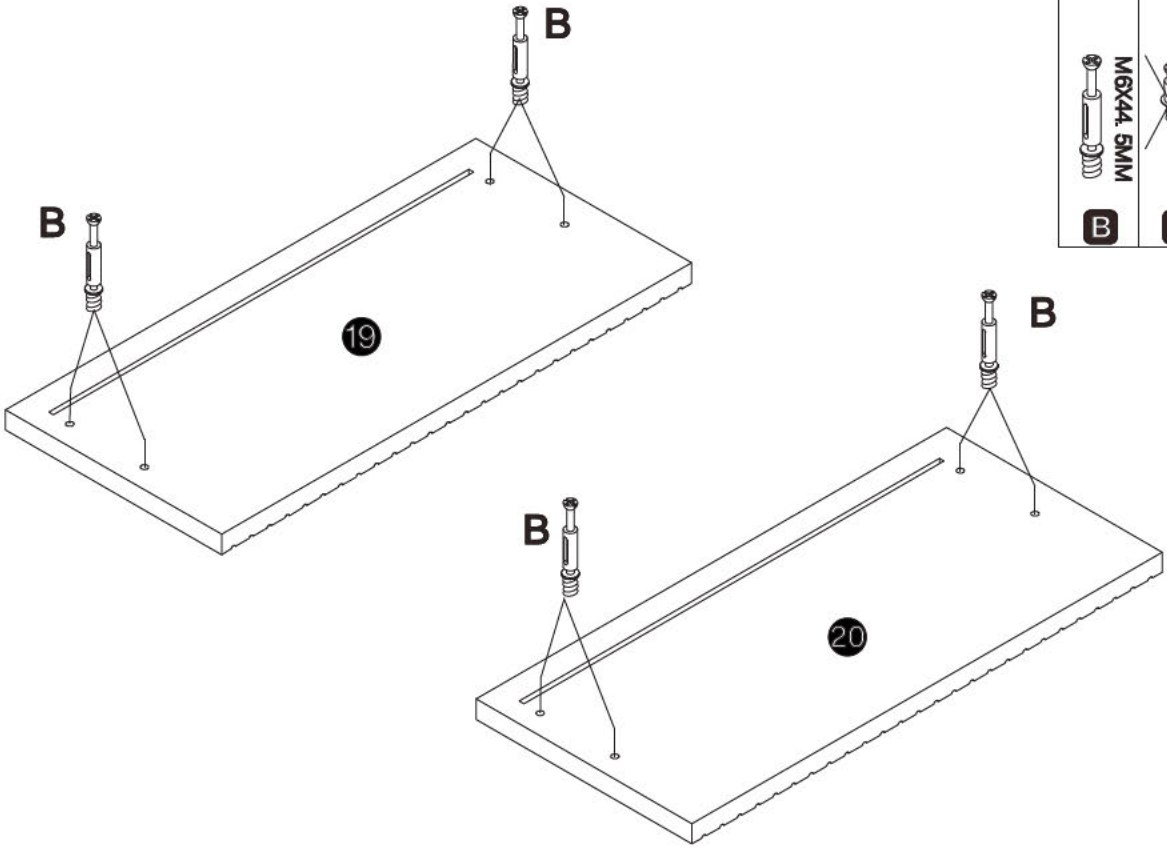
G
8PCS



39

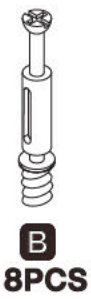


X2

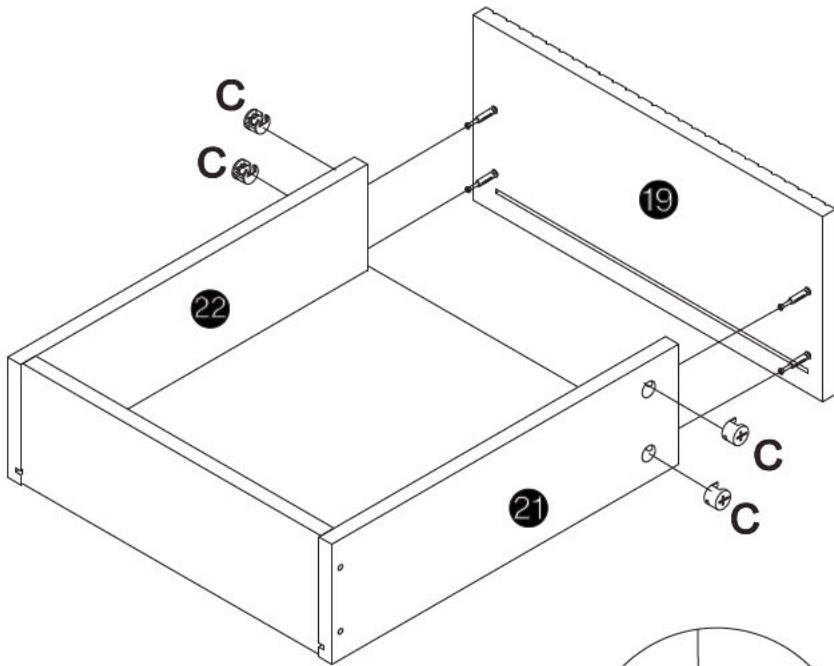
40



 M6x44, 5MM B	 M6x28MM D
---	---



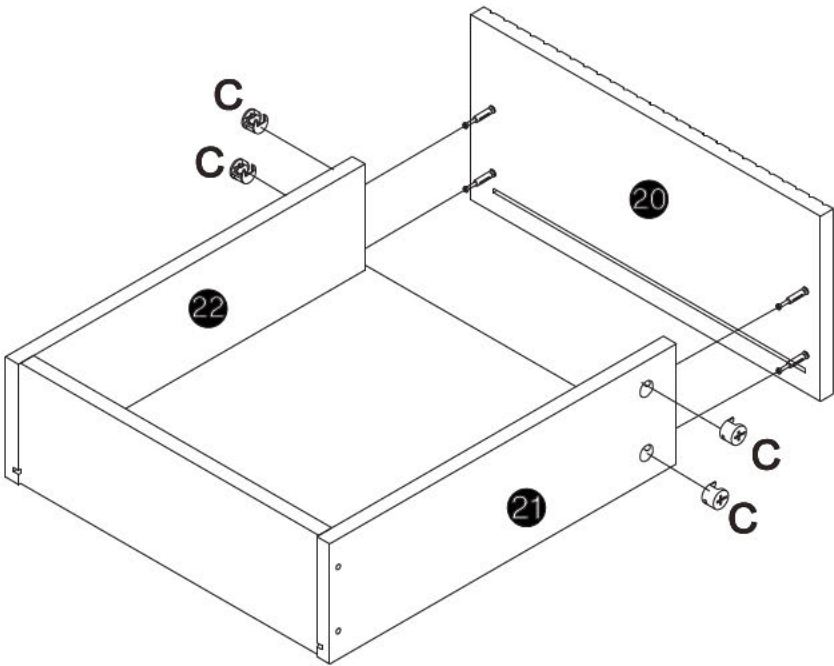
41



Ø15	Ø10
C	E



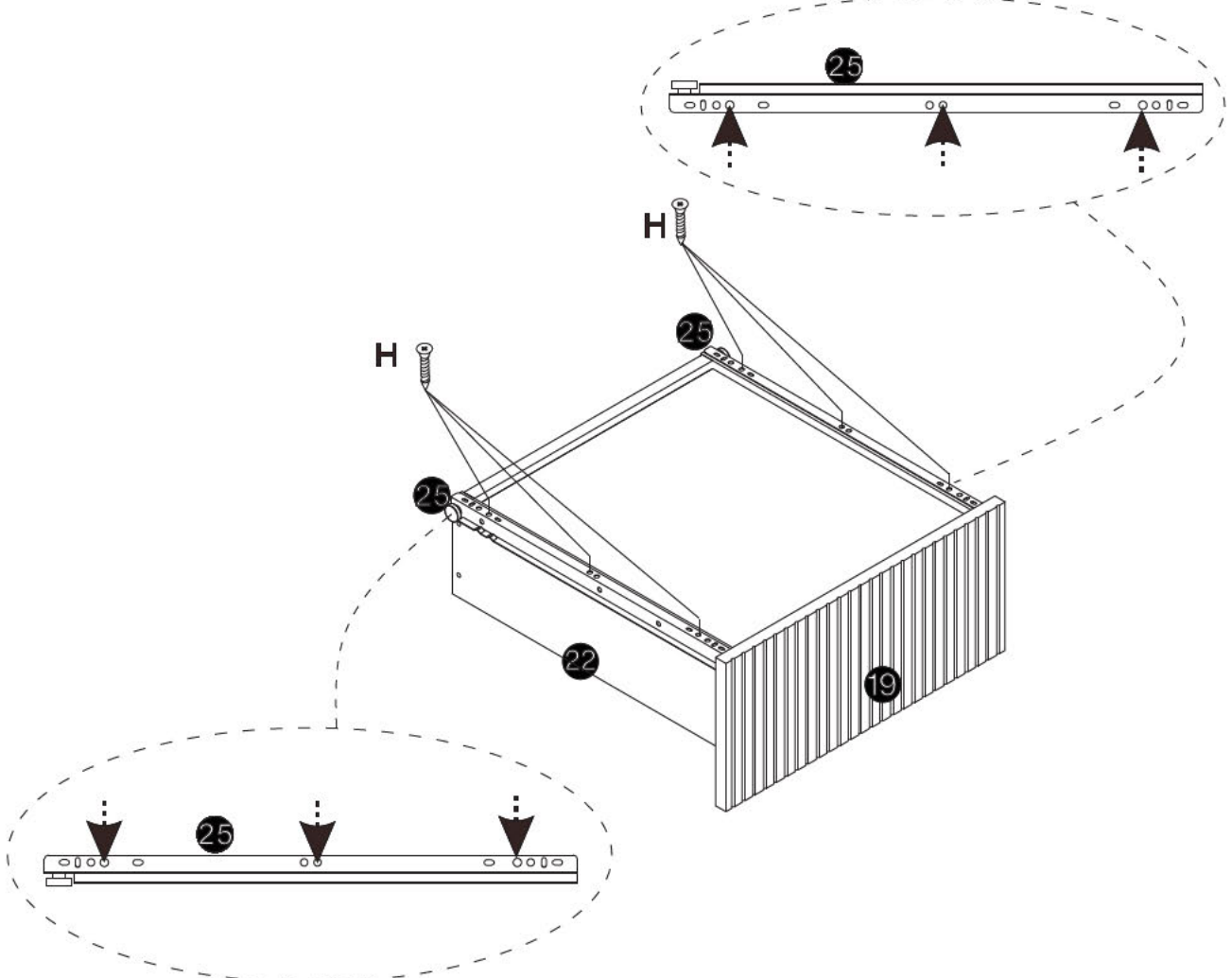
42



Ø15	Ø10
C	E

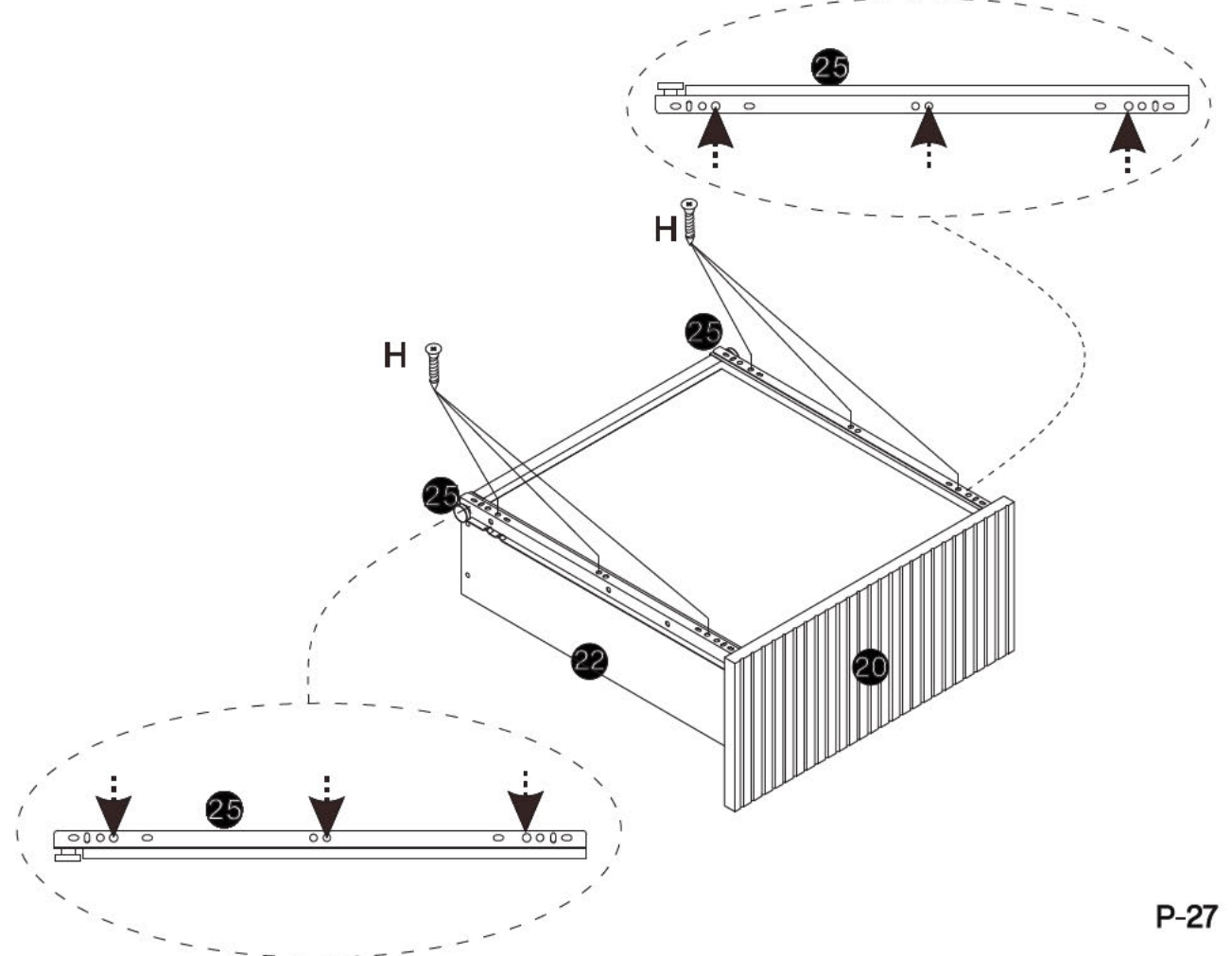


43



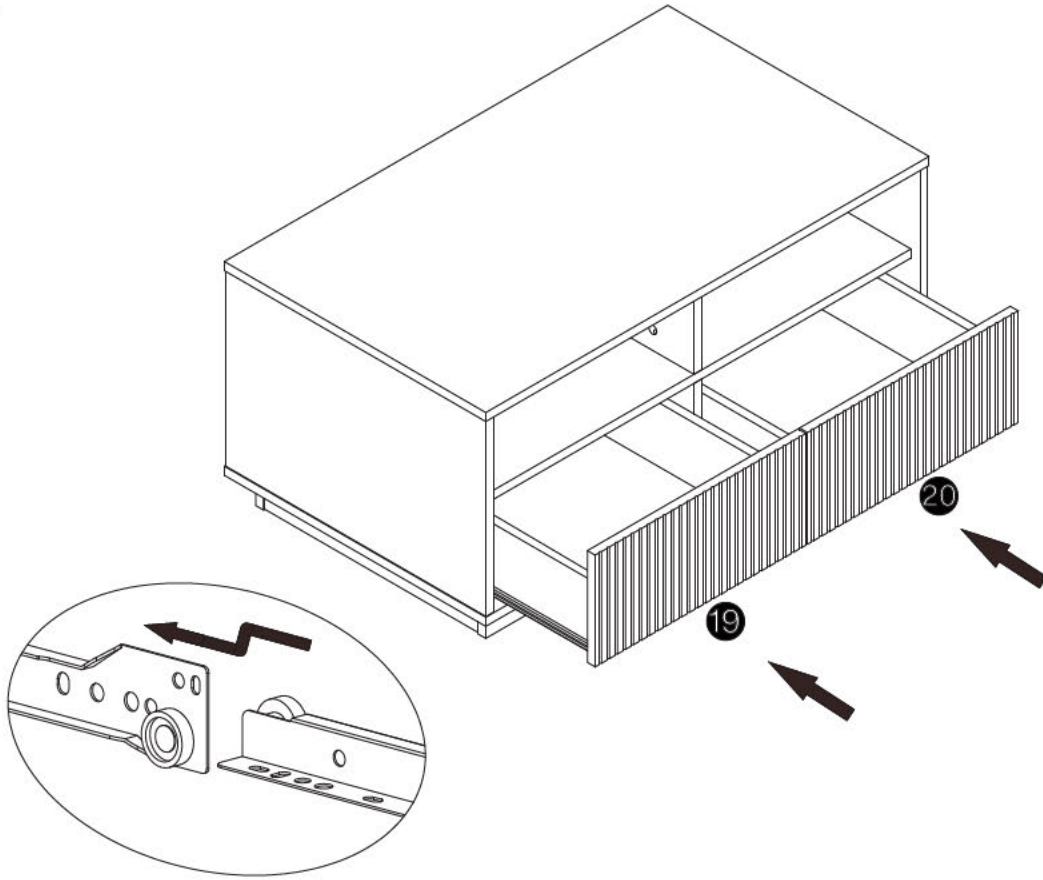

H
6PCS

44

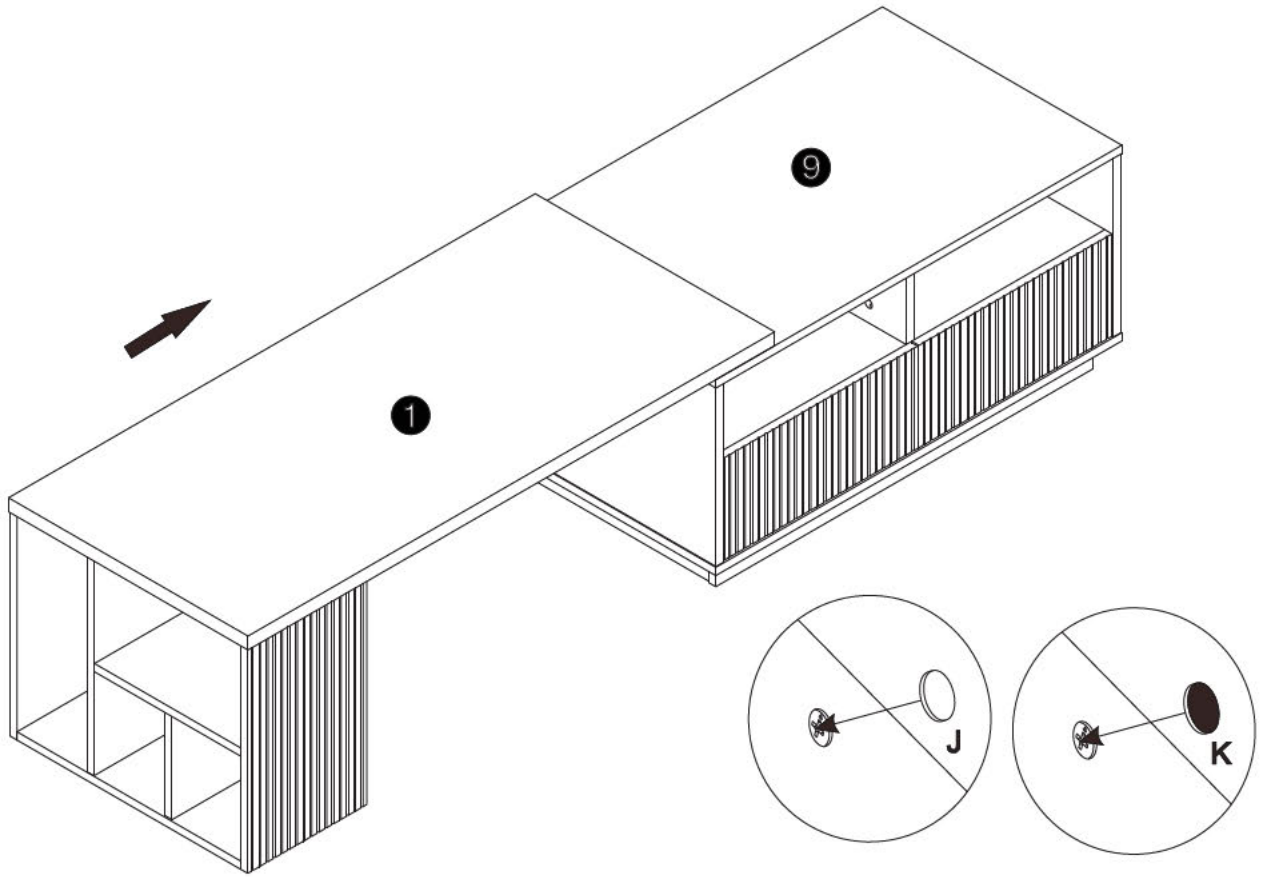



H
6PCS

45



46



J
32PCS



K
15PCS

Thank you for your support!

