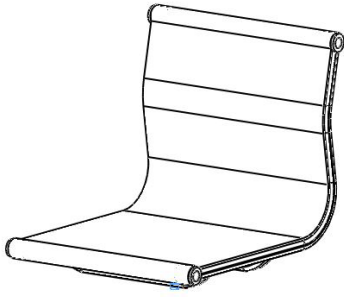
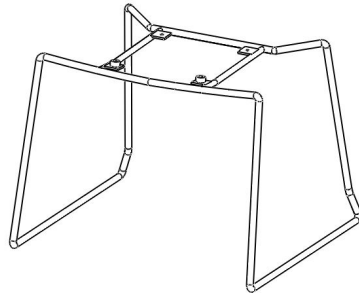


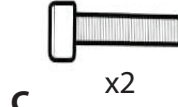
PARTS



A

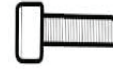


B



C

x2



D

x2



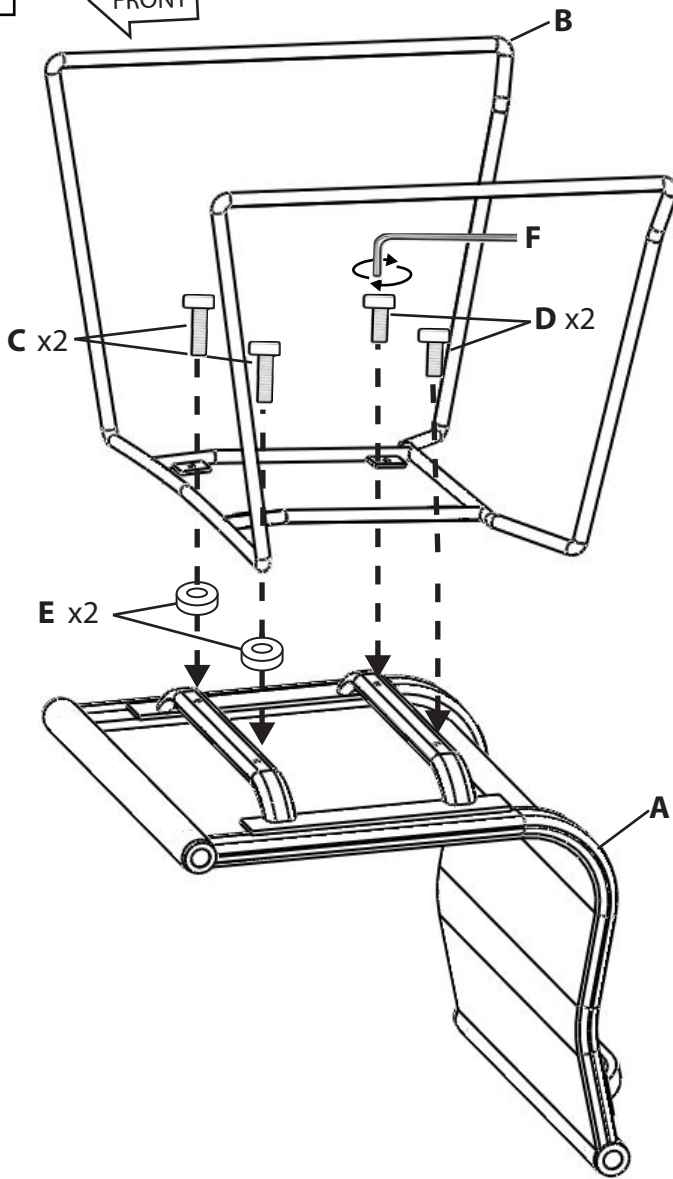
x2

E



F

1



2



Do not over tighten.
Do not use power tools to assemble.