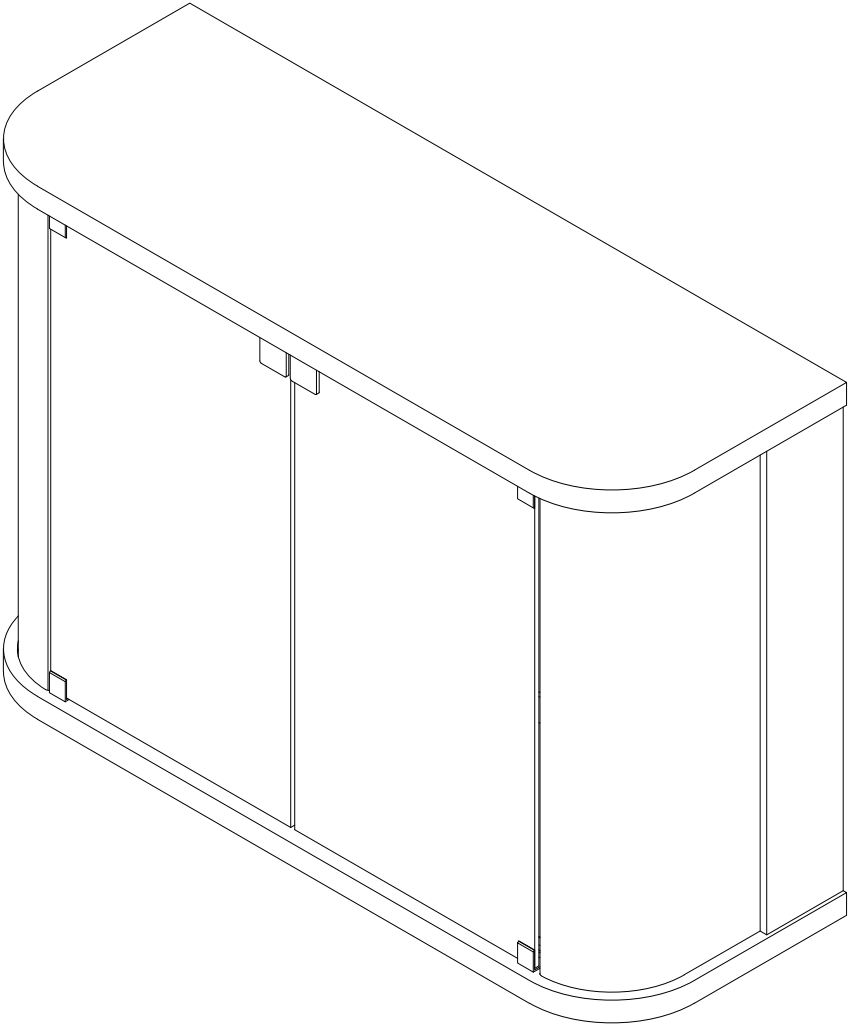
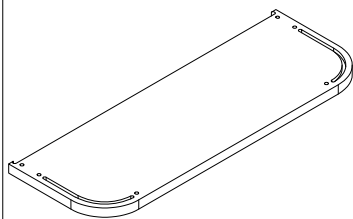
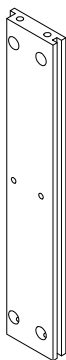


80030 Product Installation Instructions

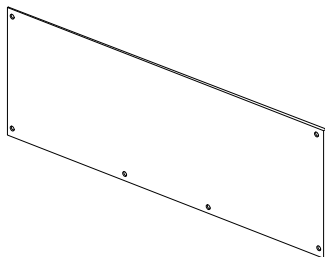




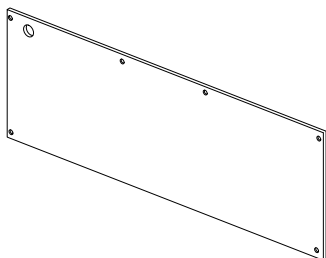
01x1



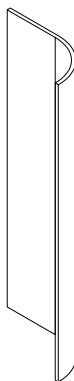
02x2



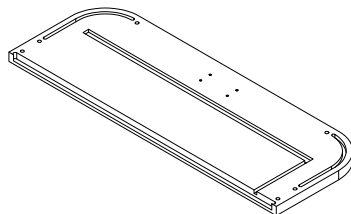
03x1



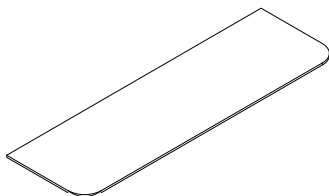
04x1



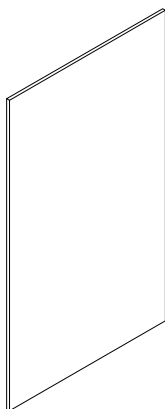
05x2



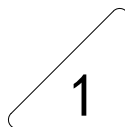
06x1



07x1

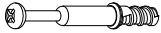

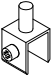
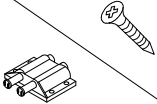
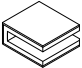
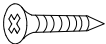

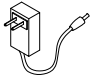
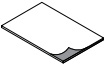


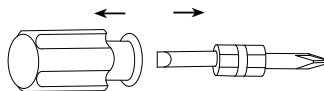
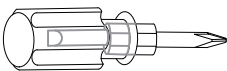
08x2



1

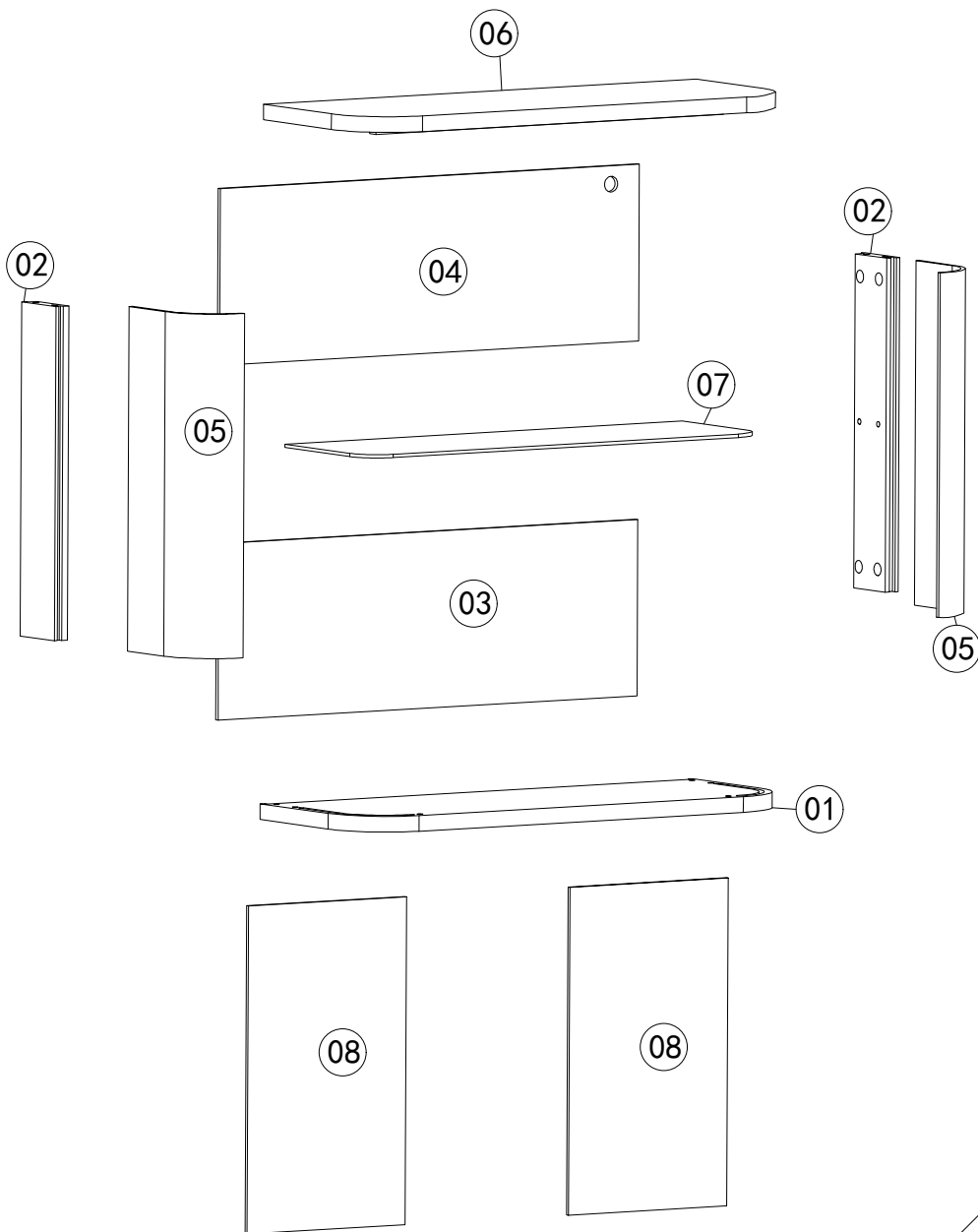
Accessories list

A		Two in One Screw (6x28mm)	8pcs +2pcs
B		Two in One Nut (10x12mm)	8pcs +2pcs
C		Glass clip	8pcs +2pcs
D		Rebound device & Screw (3x16mm)	4pcs +1pcs 1pcs
E		Iron sheet	2pcs
F		Screw (3.5x12mm)	12pcs +2pcs
G		LED Strip Controller	1pcs
H		AC/DC Adapter (12V 2.0A)	1pcs
I		Non-slip pads (50x10mm)	4pcs



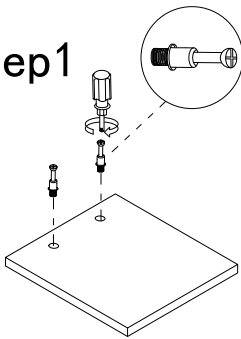
1pcs Double-head screwdriver, use as required

Product structure decomposition

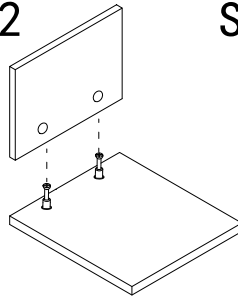


Use parts A and B

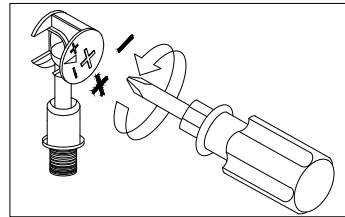
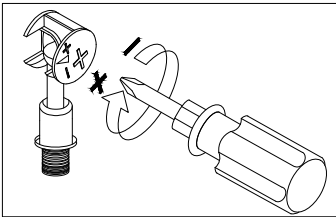
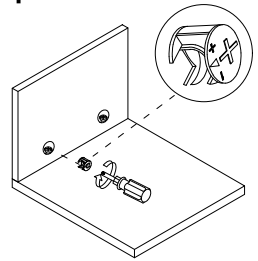
Step1



Step2

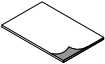


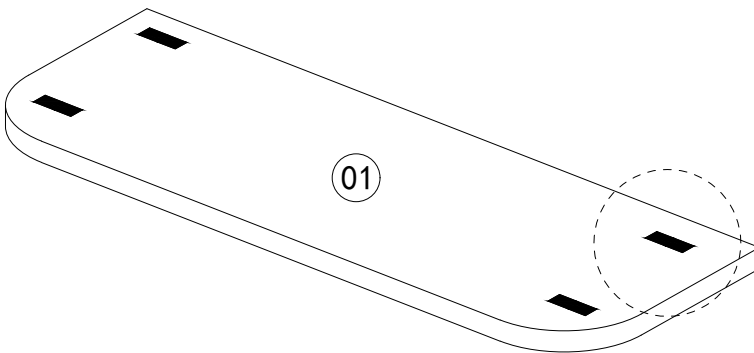
Step3



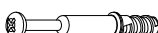
Use a screwdriver to lock in the direction of Disassemble along the direction of "-" sign the "+" sign.

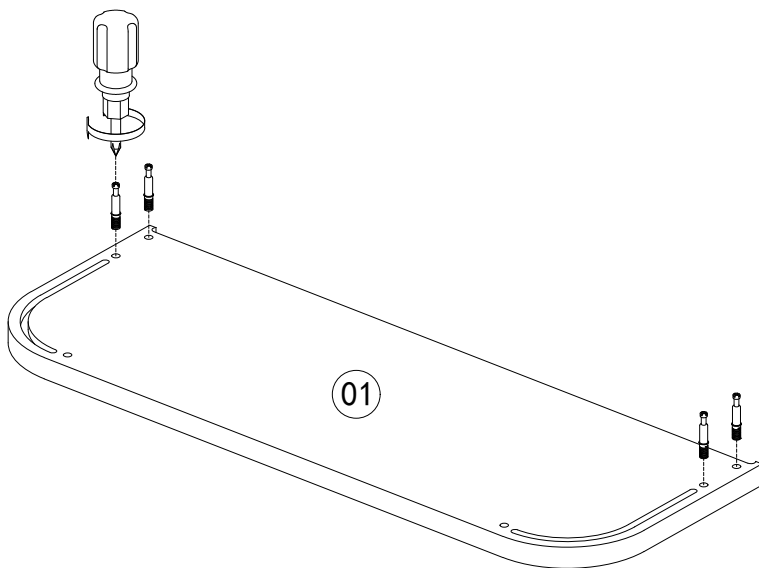
Step 1

1  x4



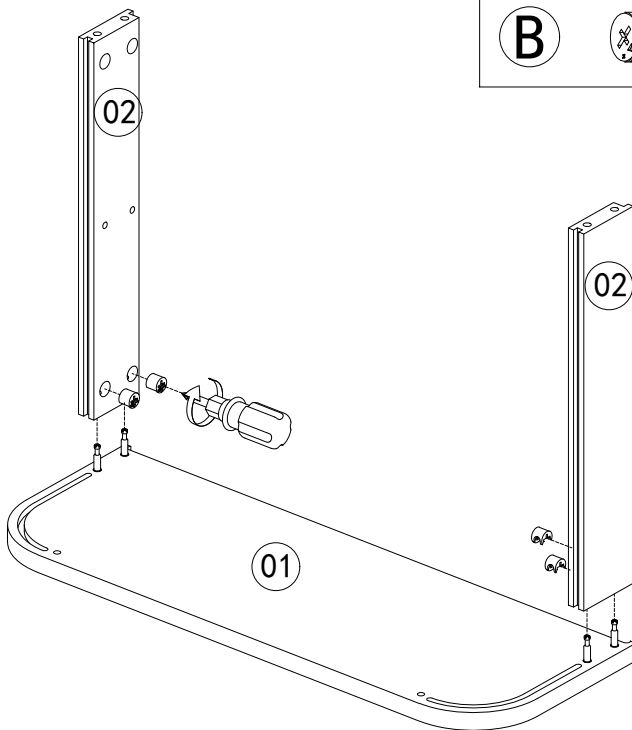
Step 2

A  × 4

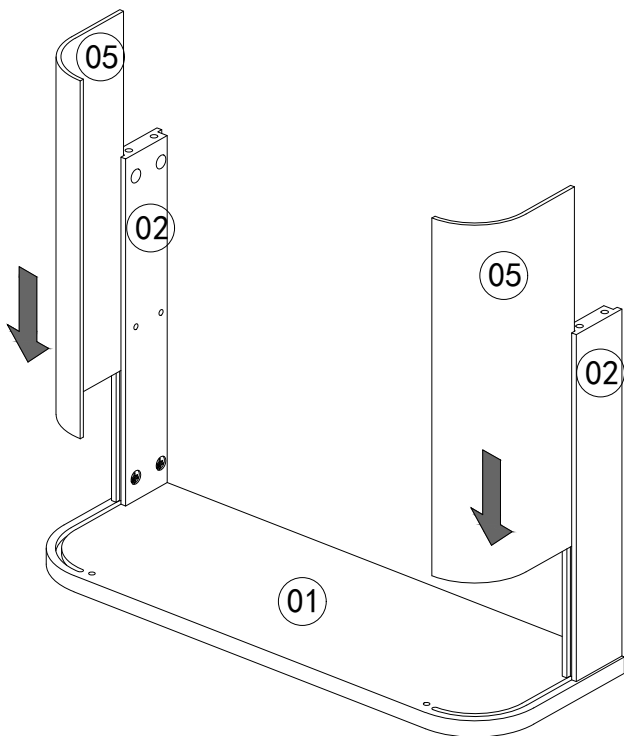


Step 3

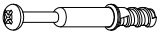
B  × 4

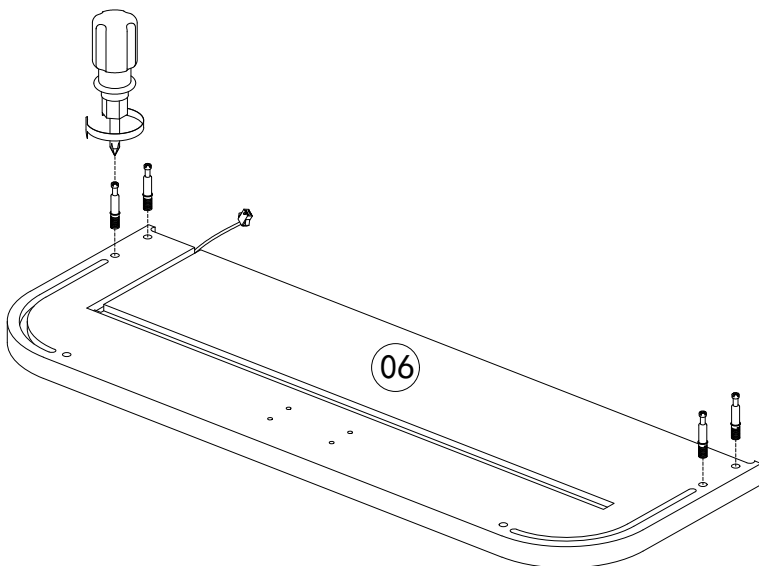


Step 4

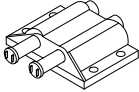



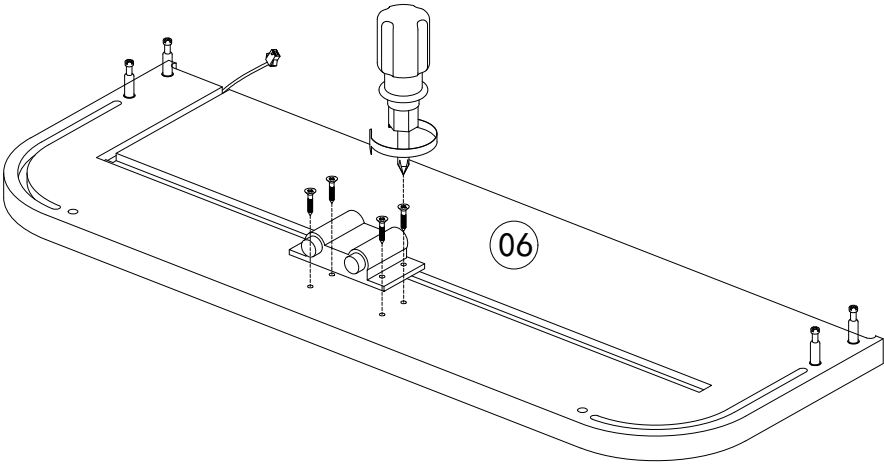
Step 5

A  × 4



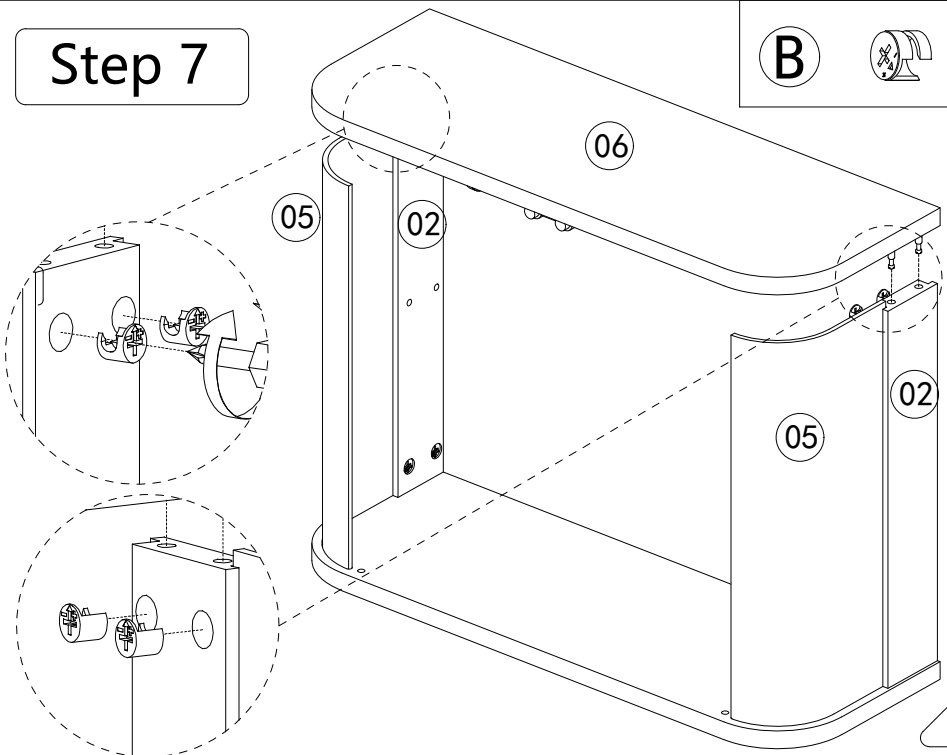
Step 6

-  × 1
-  × 4



Step 7

-  × 4

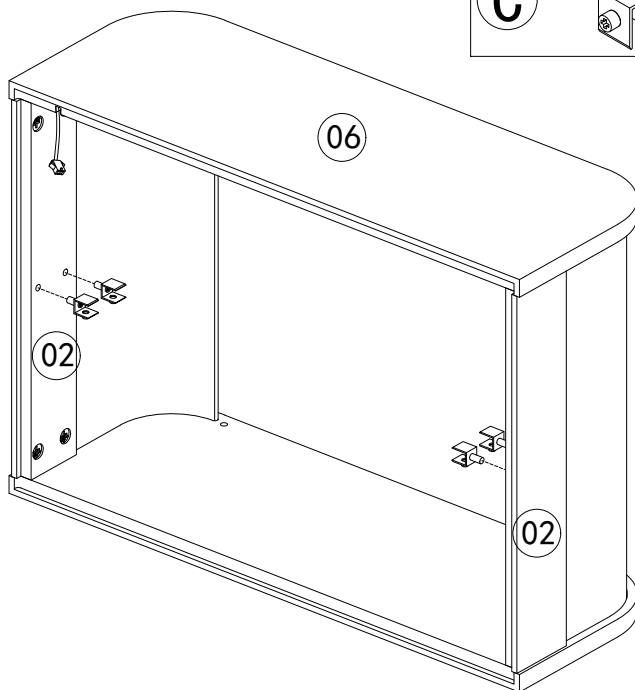


Step 8

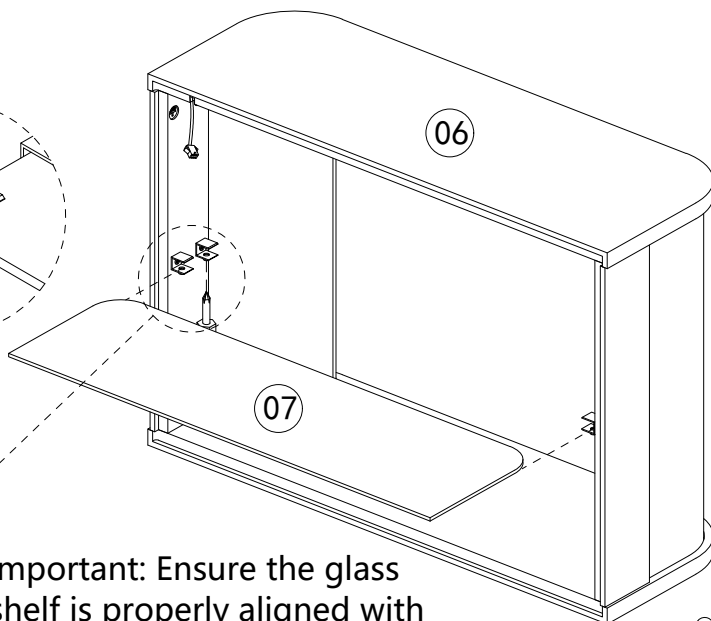
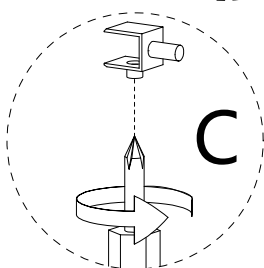
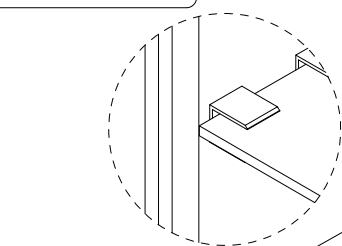
C



×4



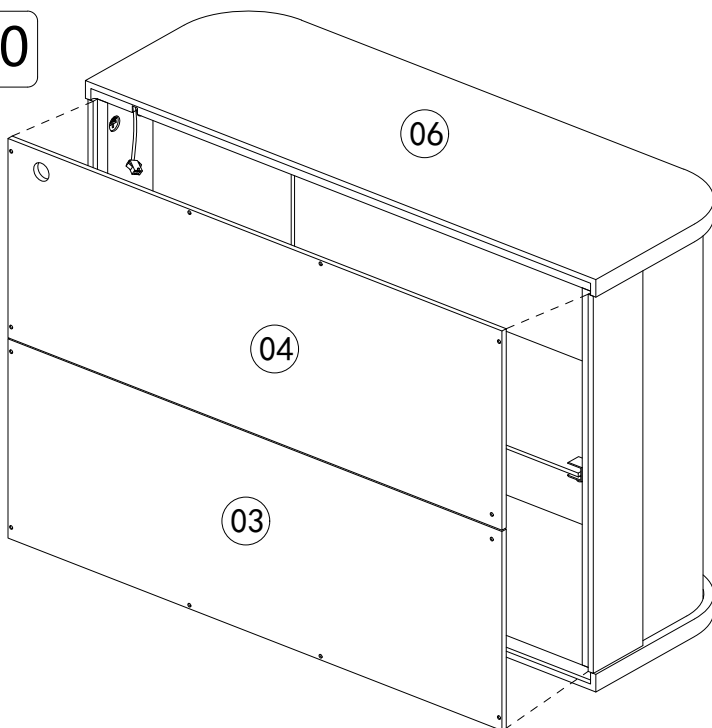
Step 9



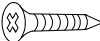
Important: Ensure the glass shelf is properly aligned with the mounting slots, then tighten the screws securely.

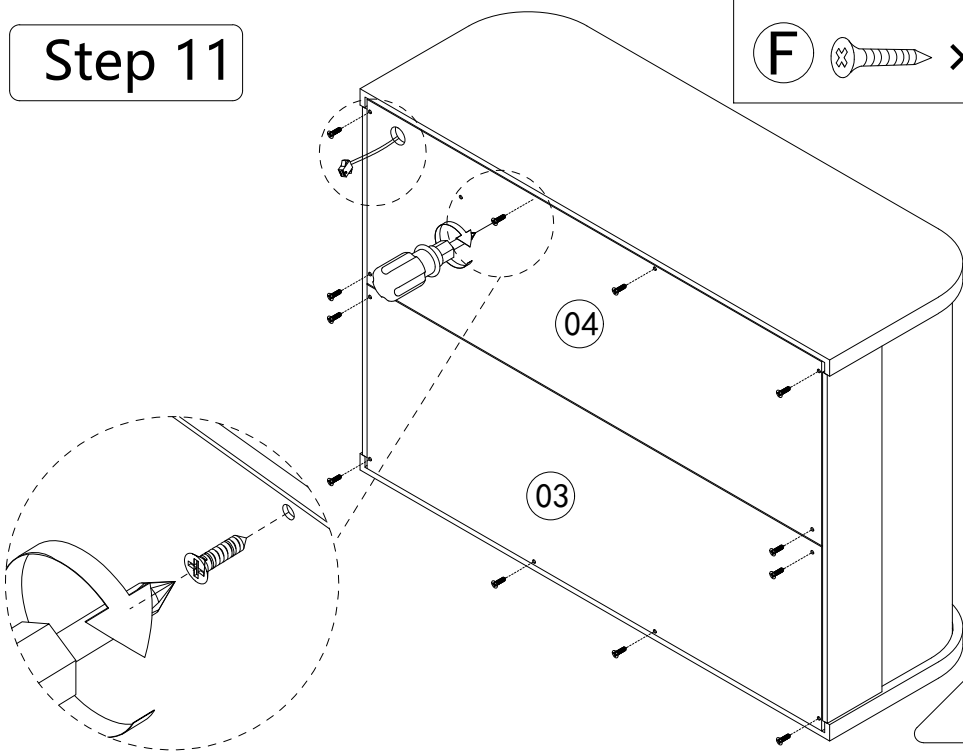
8

Step 10



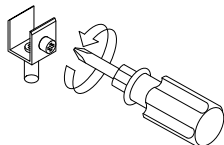
Step 11

F  x12

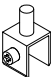


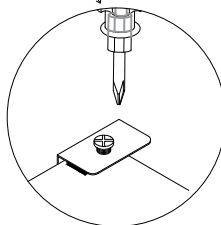
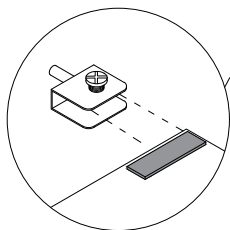
Step 12

First, completely unscrew the screws on the parts

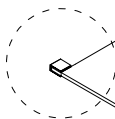
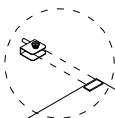


E  ×1

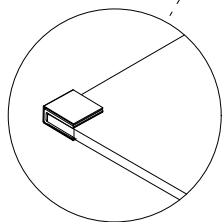
C  ×1



Locking screw



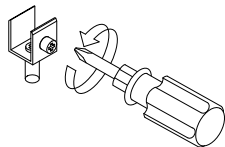
08




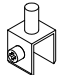
Important: Ensure the door hinge is installed in the correct orientation, then tighten the screws firmly to compress the transparent gasket.

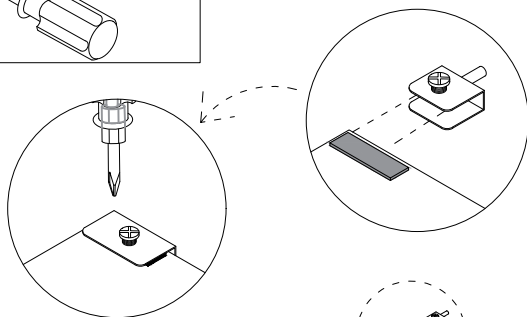
Step 13

First, completely unscrew the screws on the parts

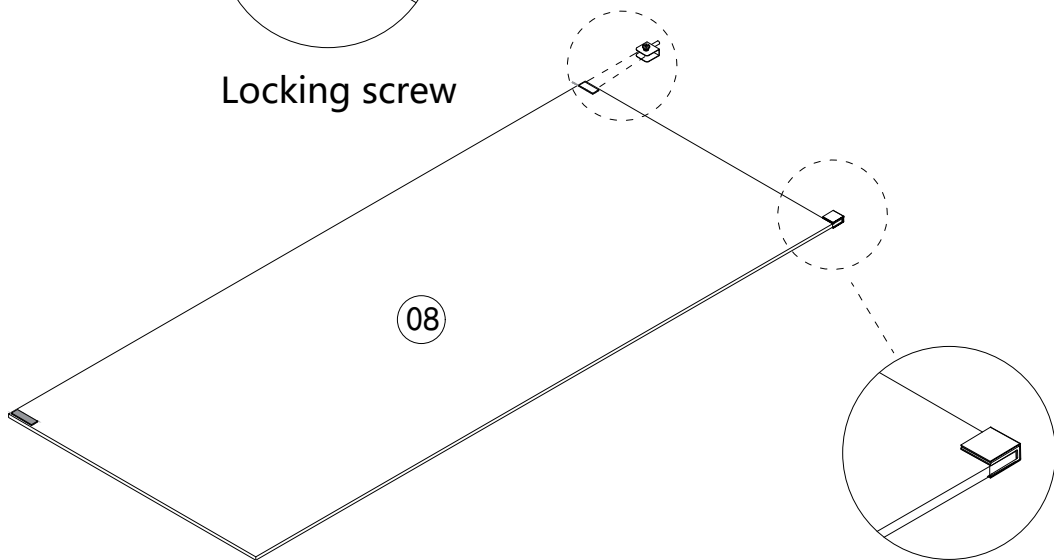


E  ×1

C  ×1



Locking screw



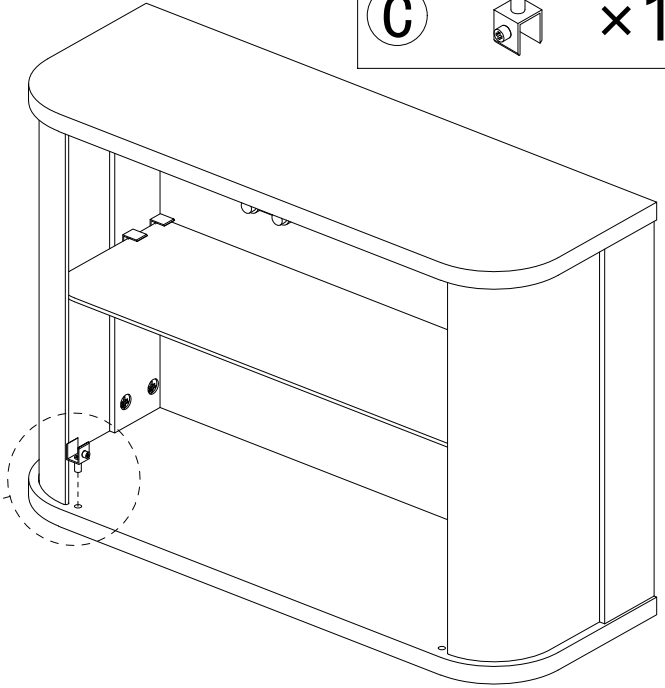
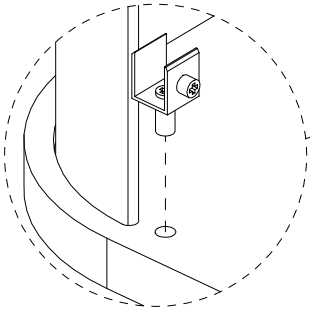
Important: Ensure the door hinge is installed in the correct orientation, then tighten the screws firmly to compress the transparent gasket.

Step 14

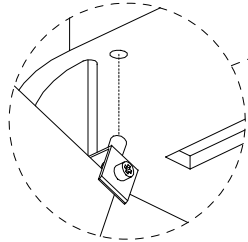
C



×1

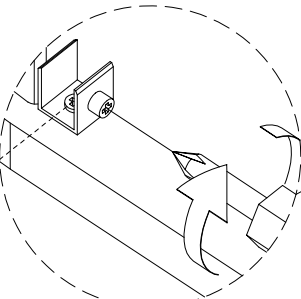


Step 15

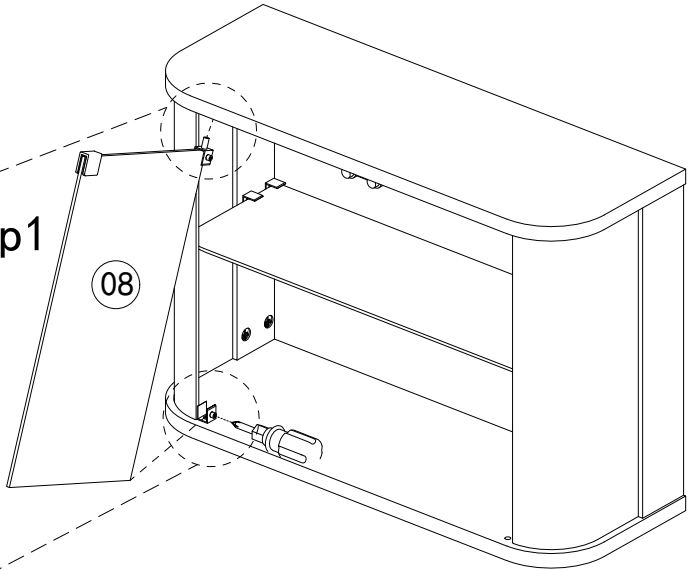


Step1

08



Step2

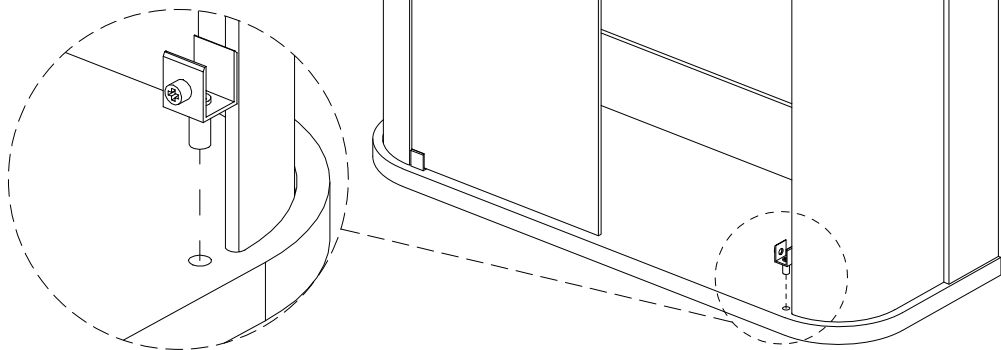


Step 16

C

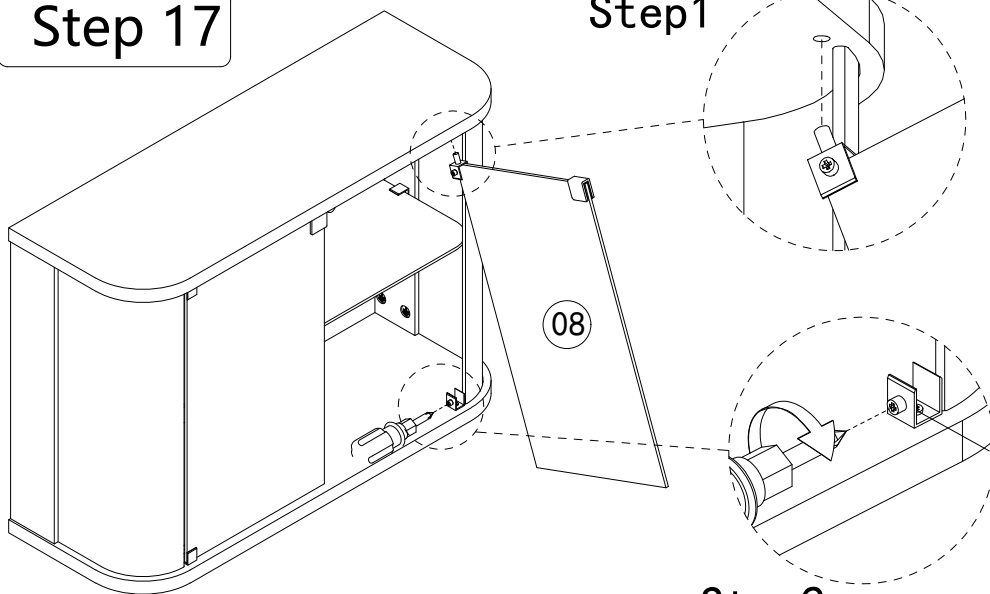


×1




Step 17

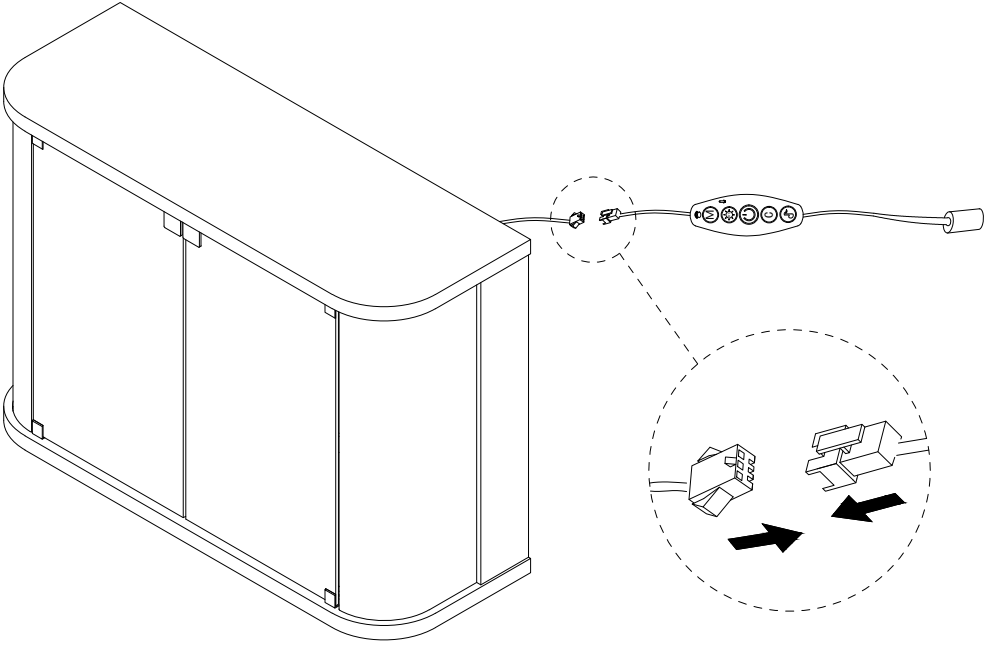
Step1



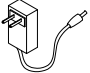
Step2

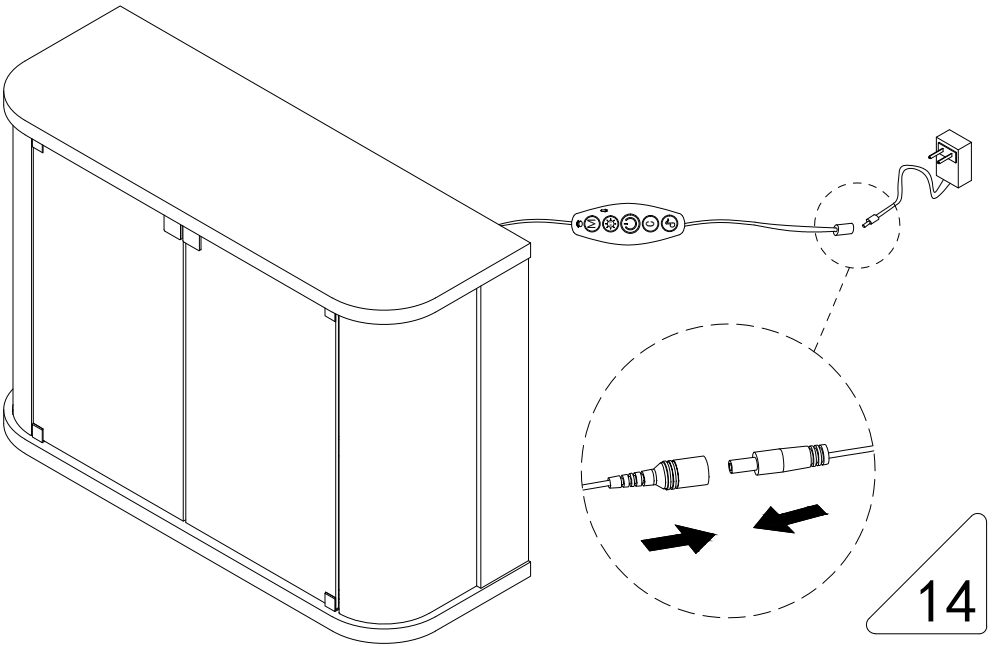
Step 18

G  × 1



Step 19

H  × 1





User's Guide

Thank you for purchasing this product.

To use this product, please connect it to a power source.

Please use if the product works normally after connecting to power.

Introduction

The box is an intelligent controller.

It has five buttons for turning the light on/off, adjusting speed and light luminance, changing light colors, and syncing with music beats.

Operation



This button is used to switch the dynamic color of the light.

Single Click: Switch dynamic lighting mode



This button is used to adjust speed and brightness.

In dynamic mode, click to adjust speed; in static mode, click to adjust brightness



This button is for turning the light on/off.

Single Click: Turn the light on/off.



This button is used to switch the static color of the light.

Single Click: Switch between 7 static RGB colors.



This button switches to music-synced lighting mode.

Single Click: Switch between 6 music-sync lighting modes



Dynamic Mode Button

Speed And Brightness Adjustment Button

Turn ON/OFF Button

Static Mode Button

Music Beats Button



ATTENTION PLEASE

1. If there is no touch response suddenly, Re-plug the power to reset the touch static electricity.
2. If you have any questions when installing, please feel free to contact us. Thank you.