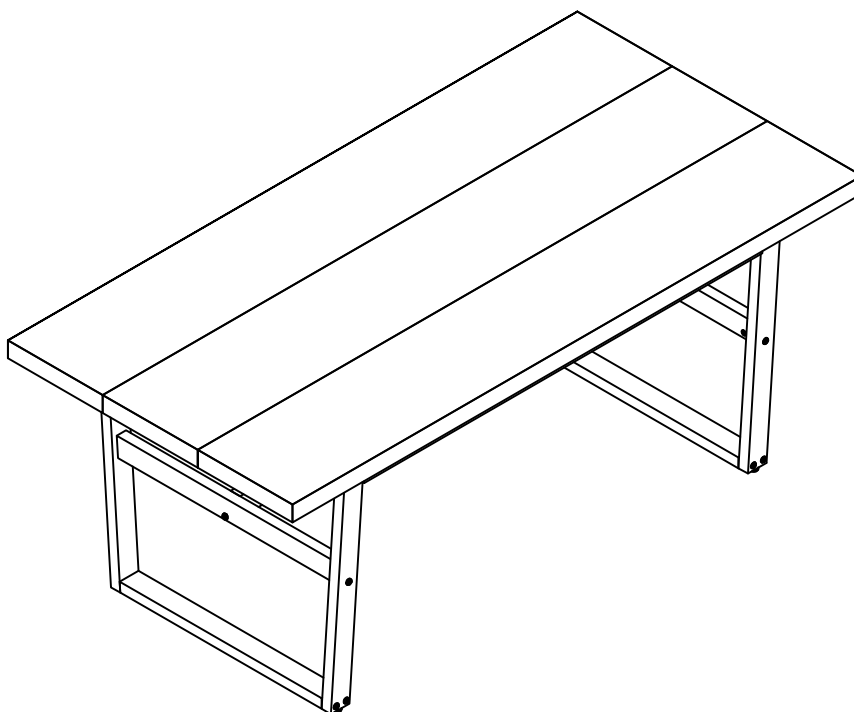


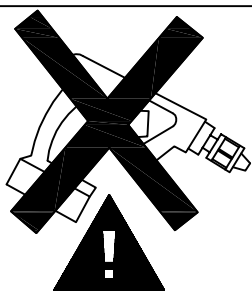
# Bolton Furniture

## Dining Table



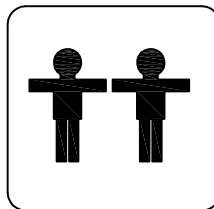
### REPLACEMENT PARTS

Please do not contact the company purchased from as we can help you faster.  
Order replacement parts and hardware at " [www.boltonfurniture.com](http://www.boltonfurniture.com) "

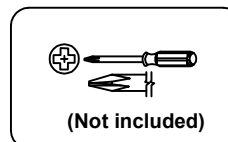
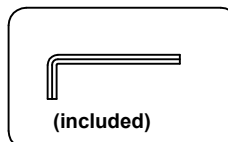


. Use of power tool to assemble this product will invalidate any claim and damage this product making it unsafe !!!

. Please assemble on a clean soft surface to avoid damage.

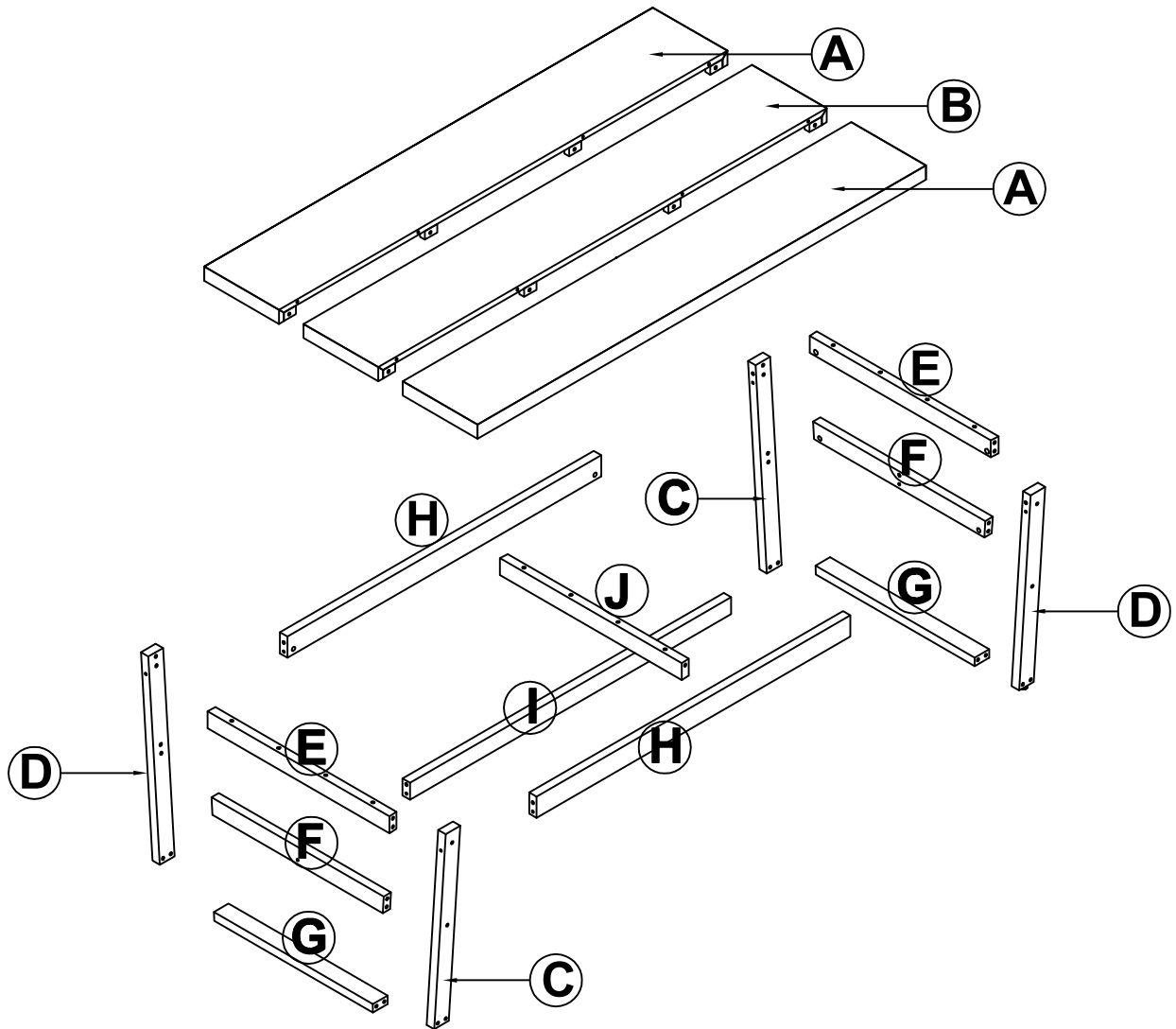


### Tools Required

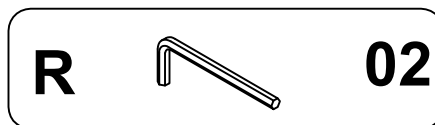
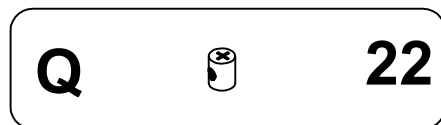
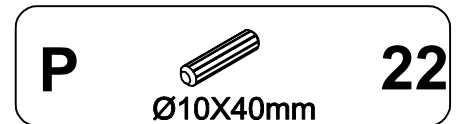
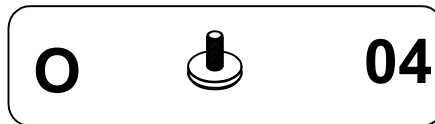
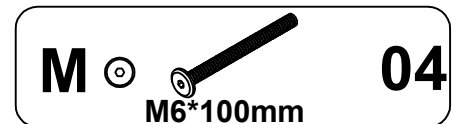
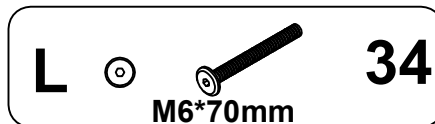
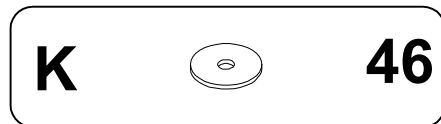


[www.boltonfurniture.com](http://www.boltonfurniture.com)

# Part list - Dining Table

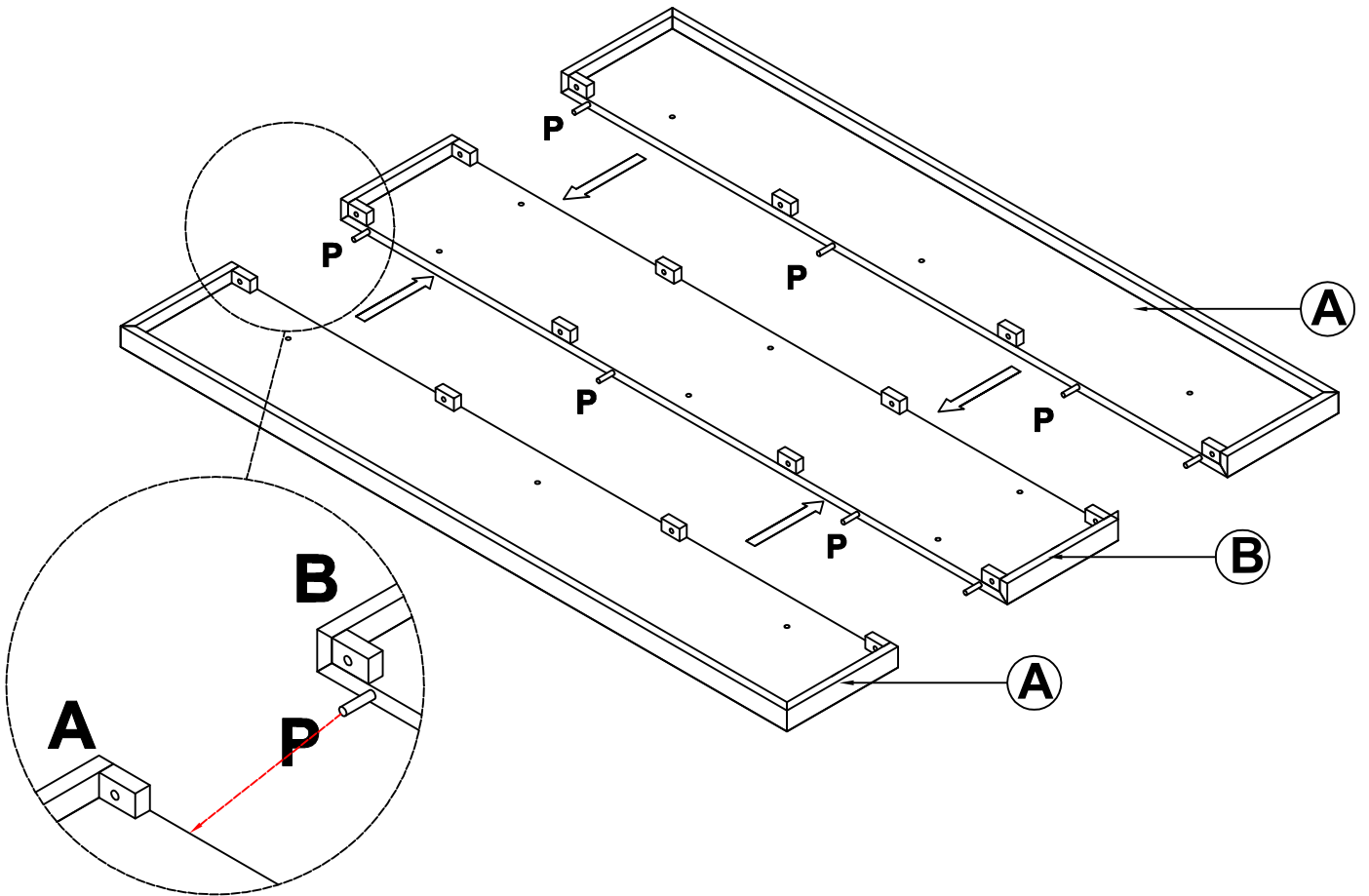


Identifying the hardware-Identify the hardware using the illustrations below





# Step 01

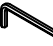
P  08  
Ø10X40mm

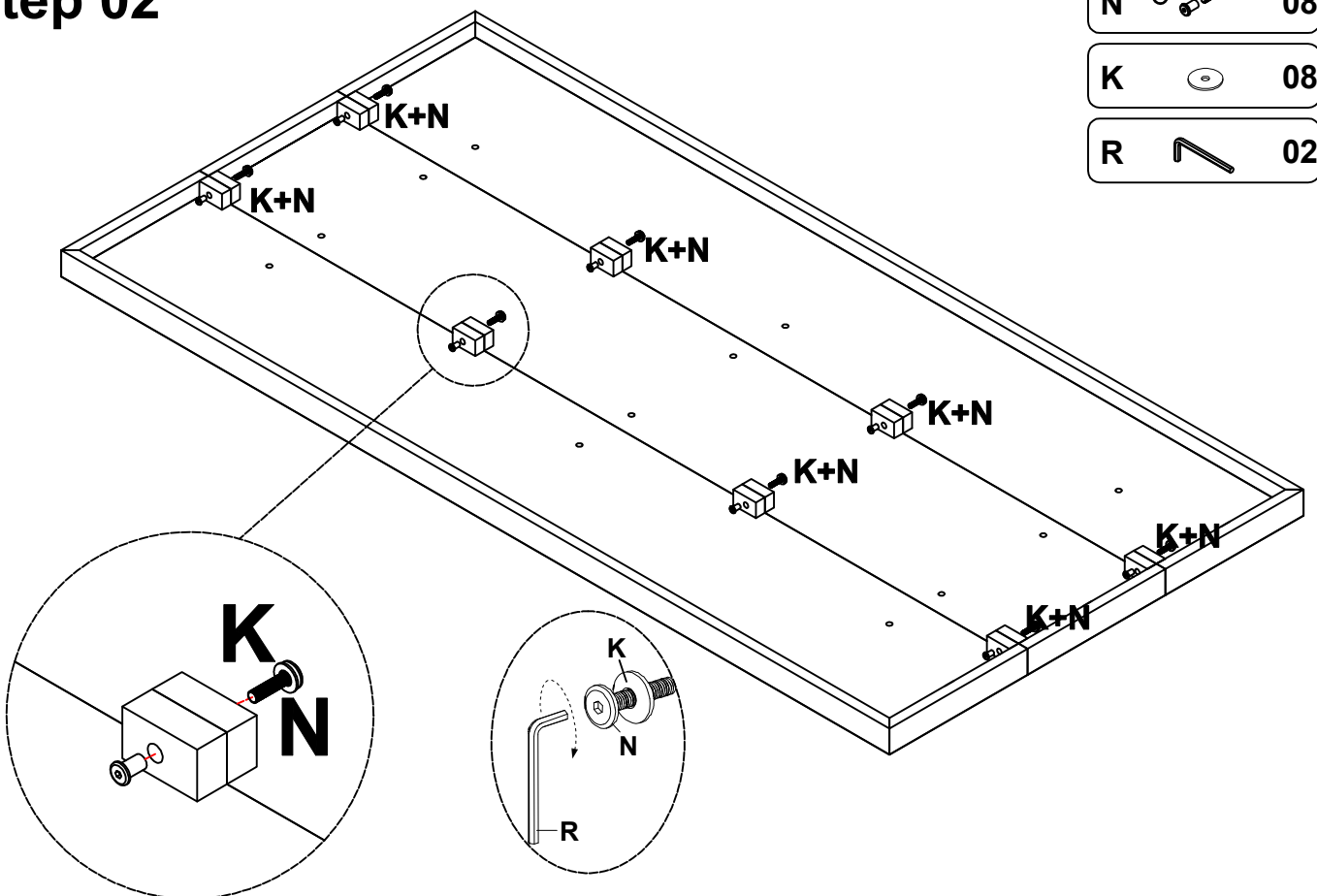


# Step 02

N  08

K  08

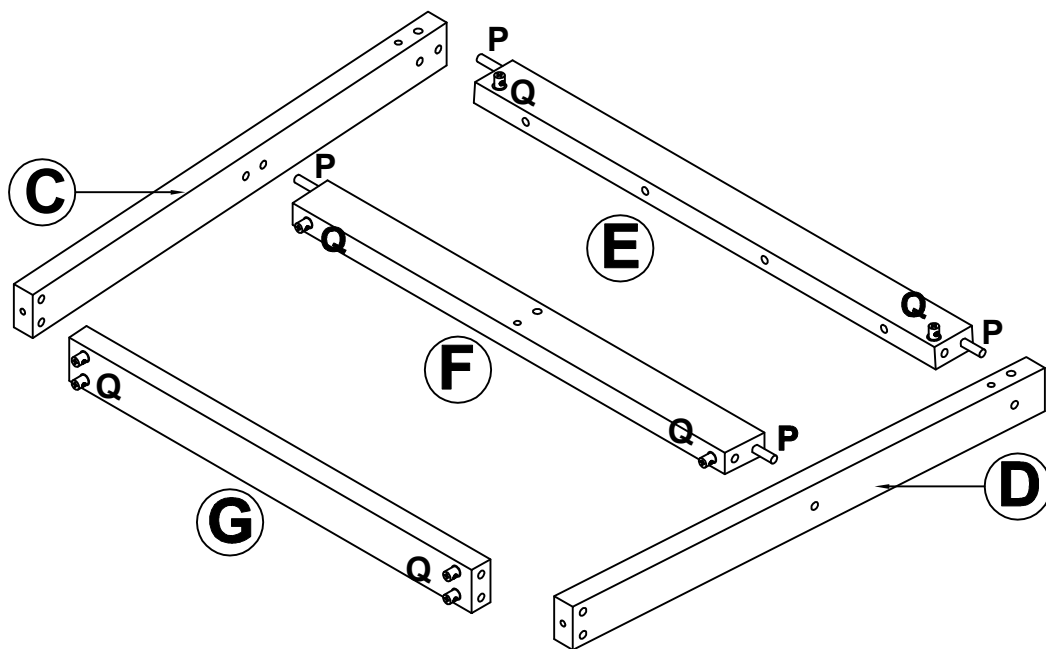
R  02




# Step 03

P  08  
Ø10X40mm

Q  16




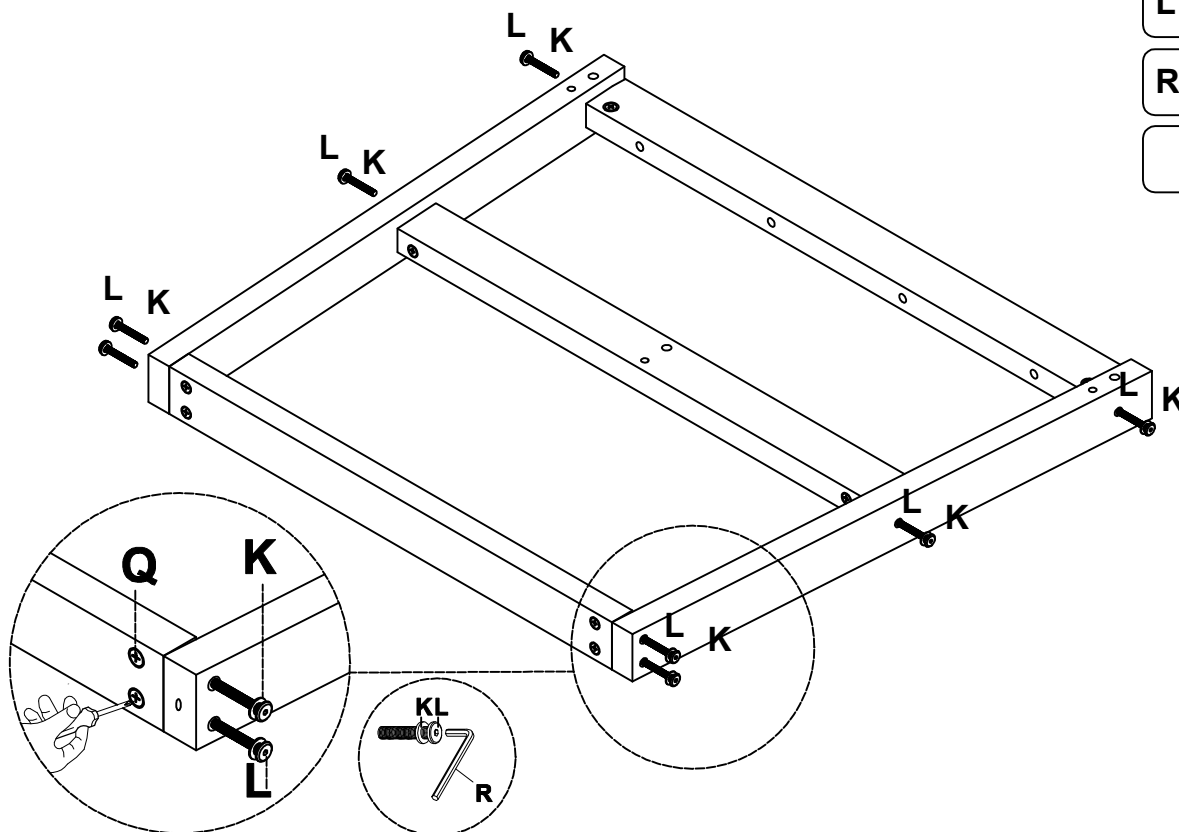
# Step 04

K  16




L  16  
M6\*70mm

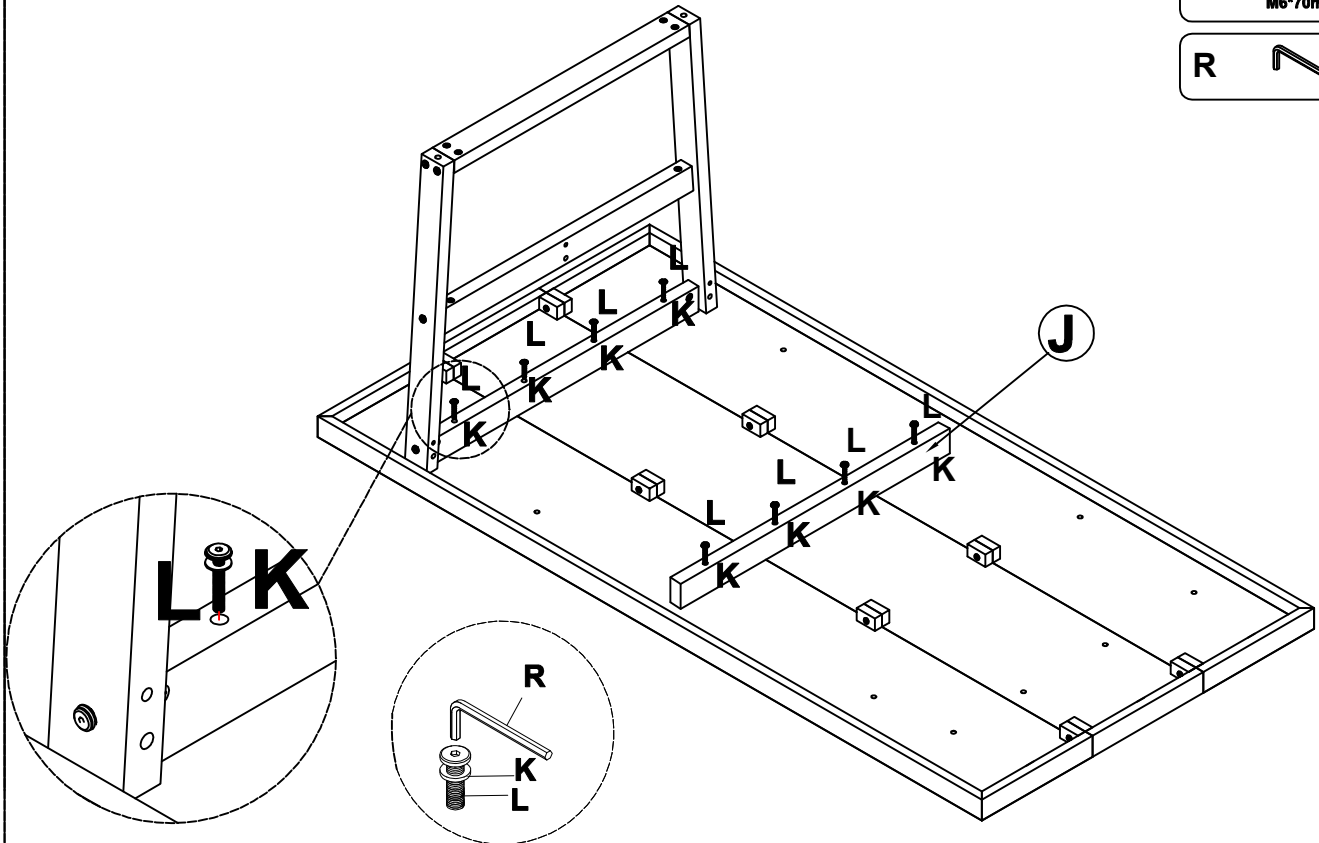
R  01

 01  
(Not included)










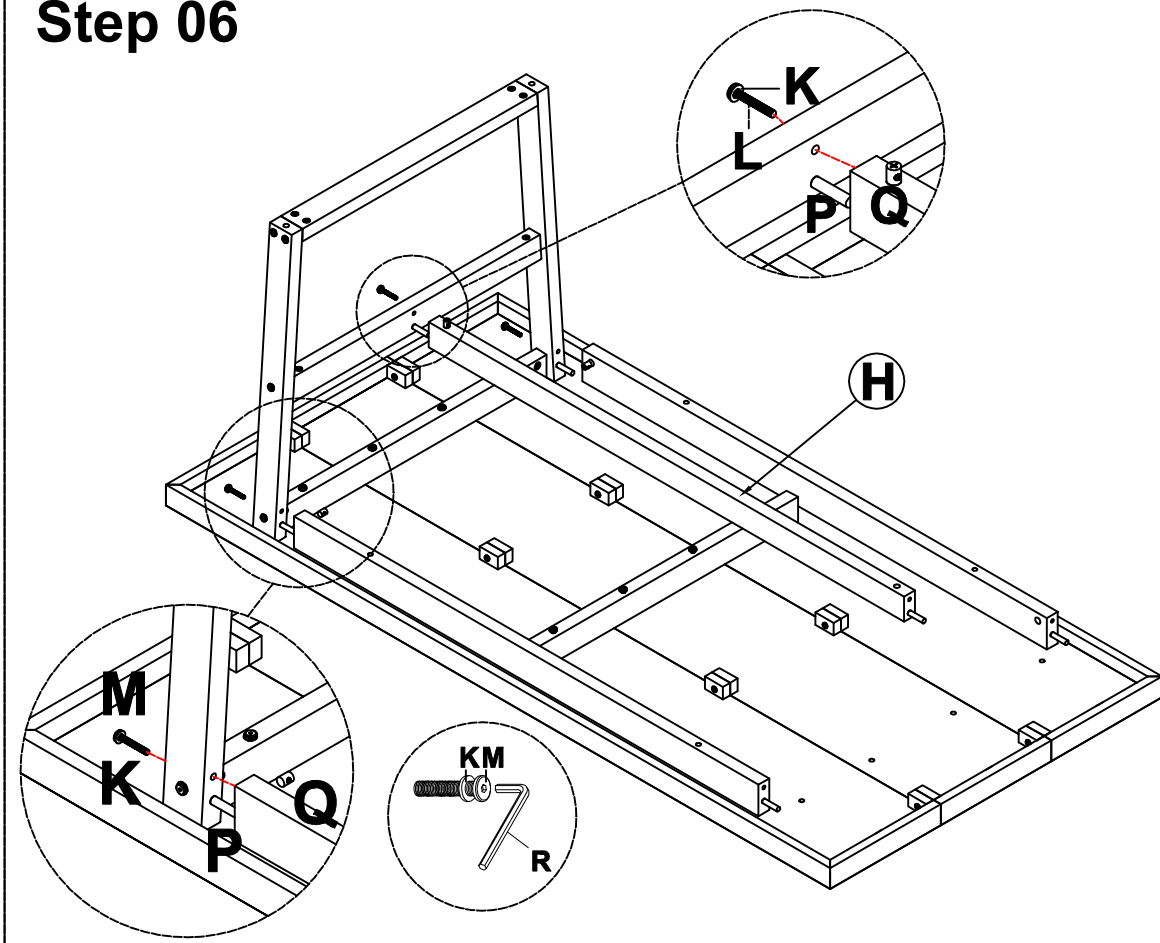
# Step 05

- K**  **08**
- L**  **08**  
M6\*70mm
- R**  **01**

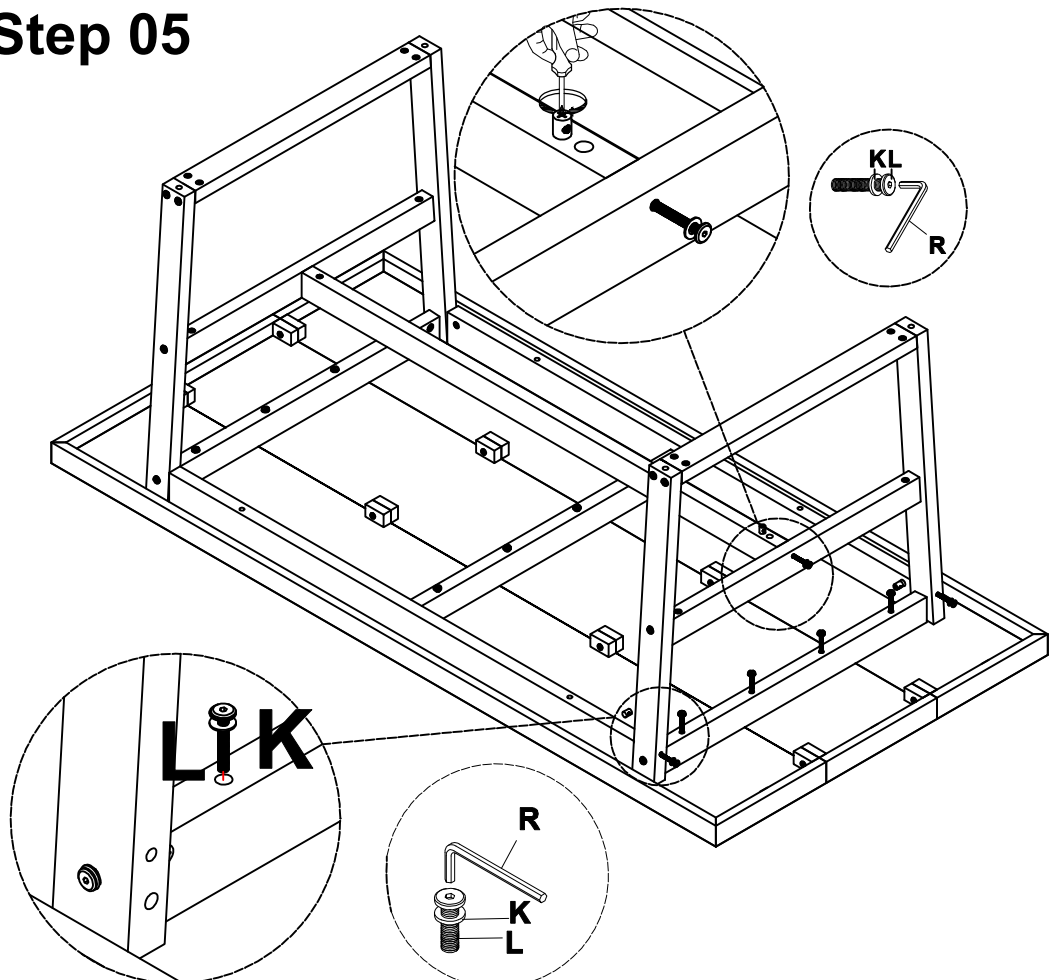








# Step 06

- K**  **03**
- L**  **01**  
M6\*70mm
- M**  **02**  
M6\*100mm
- P**  **06**  
Ø10X40mm
- Q**  **03**
- R**  **01**
-  **01**  
(Not included)

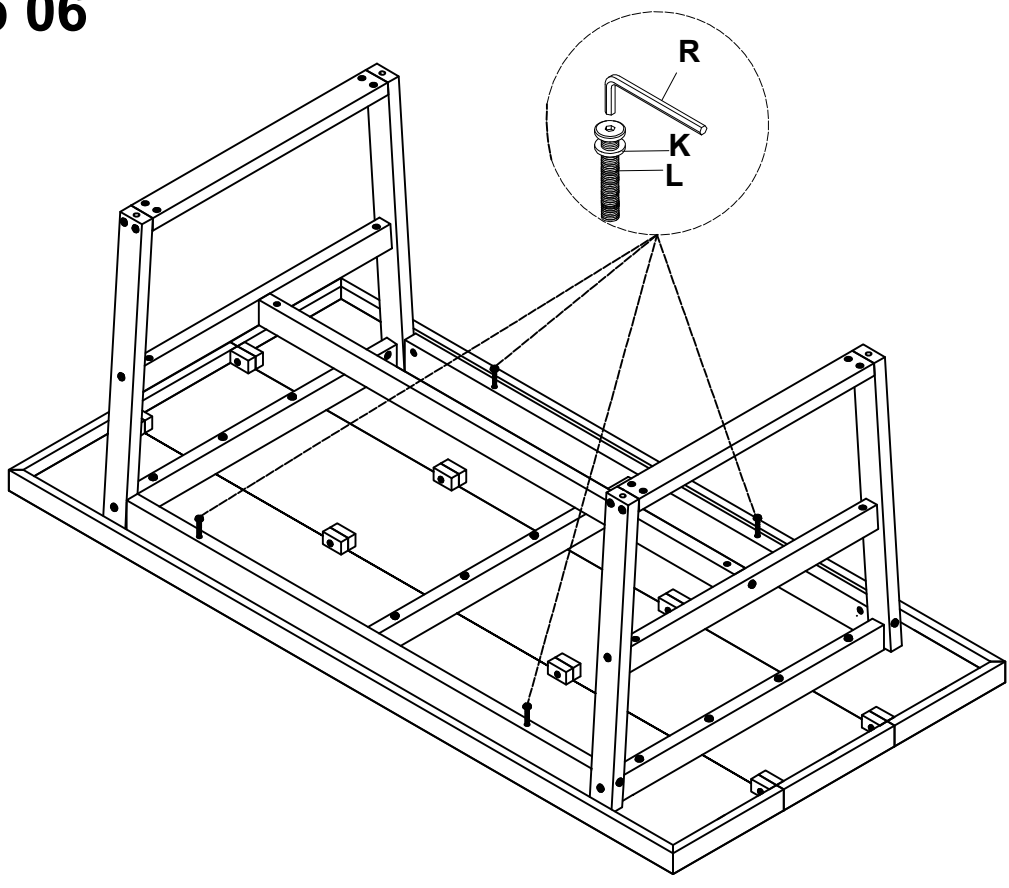





# Step 05



- K**  **07**
- L**  **05**  
M6\*70mm
- M**  **02**  
M6\*100mm
- Q**  **03**
- R**  **01**
-  **01**  
(Not included)

# Step 06



- L**  **04**  
M6\*70mm
- K**  **04**
- R**  **01**

# Step 07

0



04

