

## Assembly Instructions

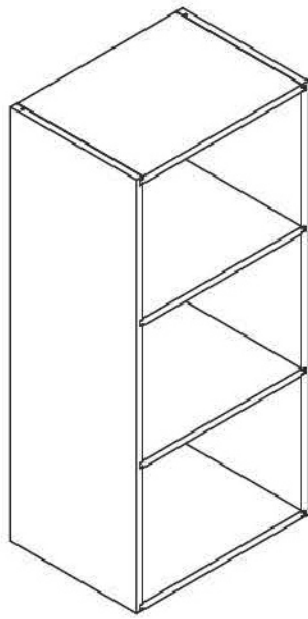


**SHOULD YOU HAVE ANY QUESTIONS REGARDING THE ASSEMBLY OR PARTS OF YOUR NEW ITEM, PLEASE DO NOT RETURN TO THE STORE, INSTEAD CALL US.**

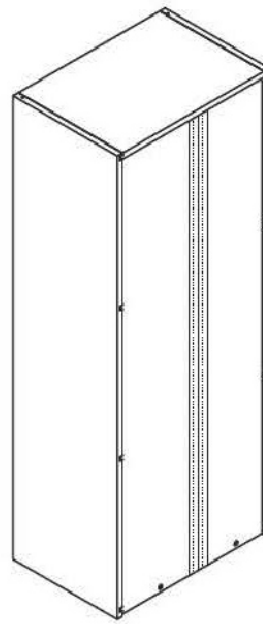
We offer patented furniture solutions to the consumer with simple assembly & innovative features. Our products are changing the landscape of affordable storage furniture and breaking barriers for consumer reception of RTA/KD items. It is made in state of the art manufacturing facilities by engineering teams that are both creative and precise. Our items are affordable and accessible to all customers regardless of assembly acumen or income level

# ASSEMBLY INSTRUCTIONS

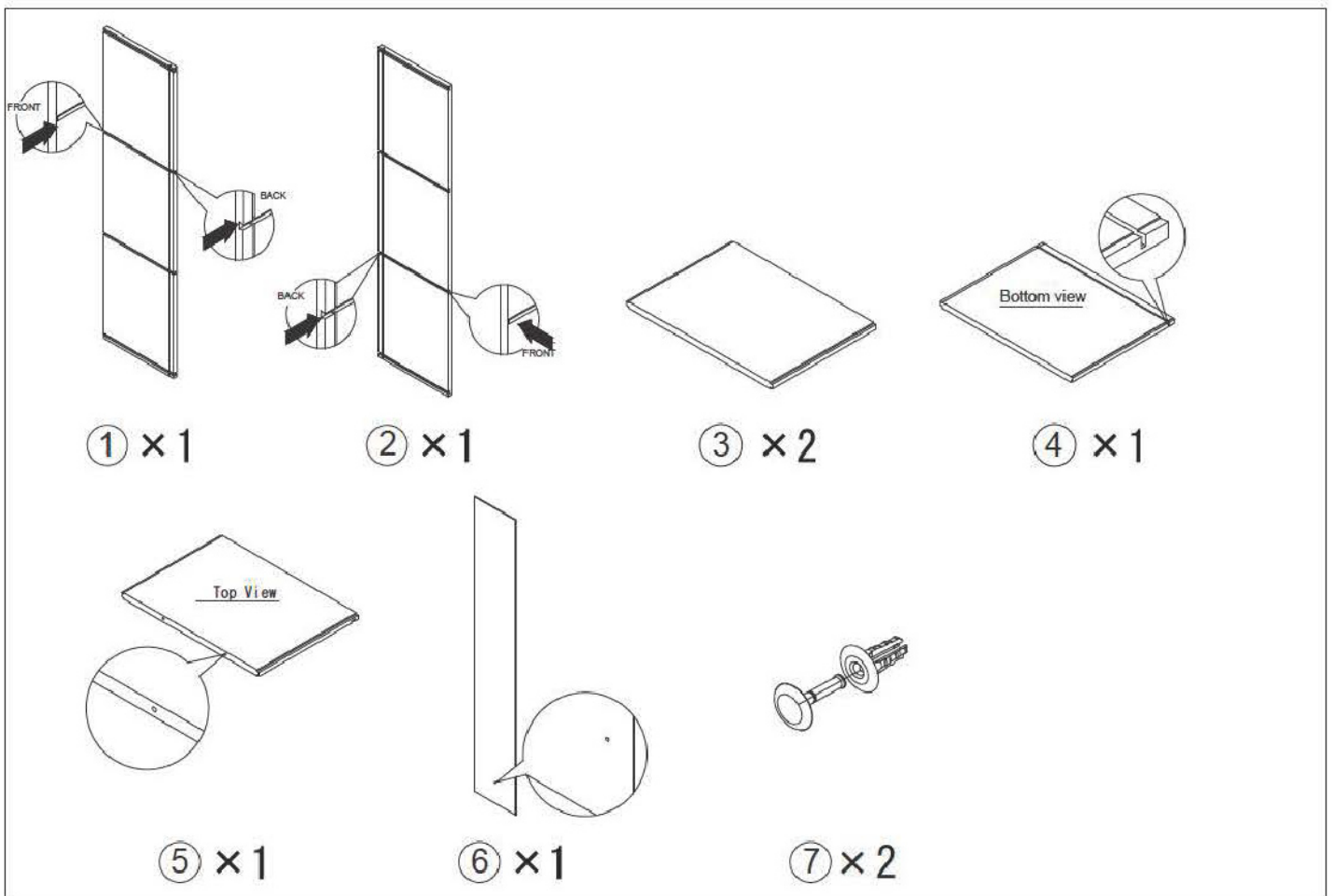
## 4 Tier Tower Bookcase



COMPLETED ASSEMBLY



BACK VIEW



There is no tools needed to assemble this 4 Tier Tower Bookcase it simply slides together

### **CLEANING INSTRUCTION**

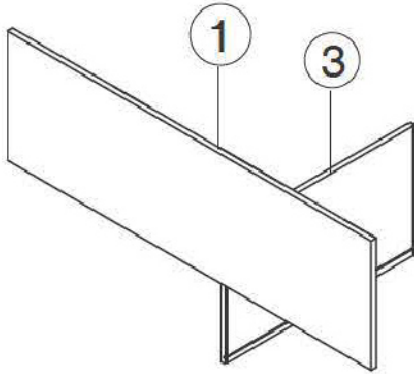
After assembly, clean and wipe with a damp cloth. Be sure to dry this paper veneer product after wiping. Never let water accumulate on the surface. Never let the unit sit in water or a moist environment.

# ASSEMBLY INSTRUCTIONS

4 Tier Tower Bookcase

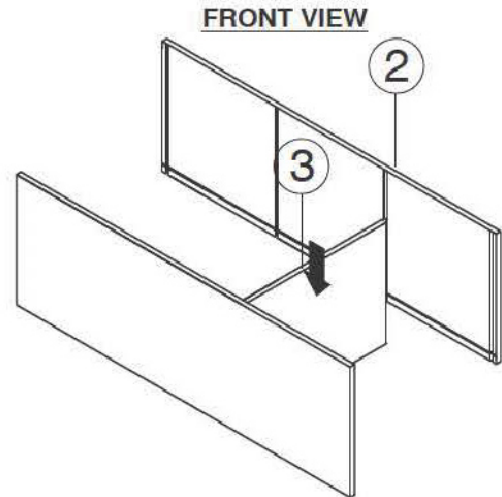
## Step 1

Place panel 3 on the floor as shown. Align the top center groove on panel 1 with the dovetail on panel 3 and gently slide panel 1 down into place



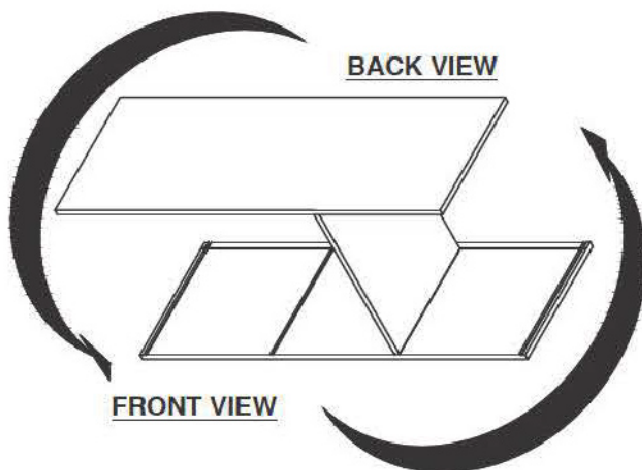
## Step 2

Repeat with panel 2



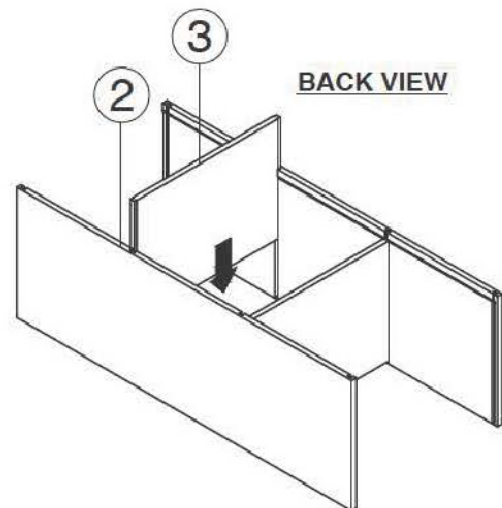
## Step 3

Carefully rotate all 3 panels 180° degrees, turning the unit over before the next step, the back panel grooves should now be away from the floor.



## Step 4

Align the dovetails on another panel 3 with the grooves on panels 1 and 2 as shown, then carefully slide it into place. The back panel grooves on panels 1 and 2 should be on the same side furthest away from the floor



There is no tools needed to assemble this 4 Tier Tower Bookcase it simply slides together

### CLEANING INSTRUCTION

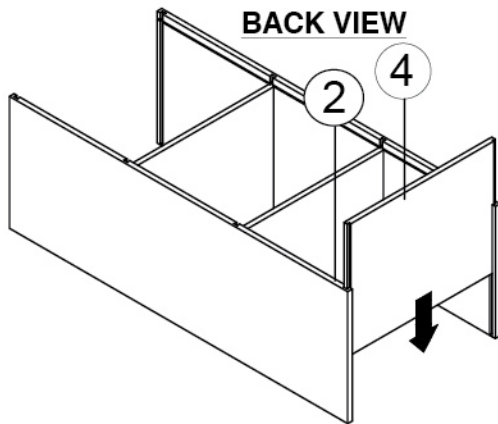
After assembly, clean and wipe with a damp cloth. Be sure to dry this paper veneer product after wiping. Never let water accumulate on the surface. Never let the unit sit in water or a moist environment.

# ASSEMBLY INSTRUCTIONS

4 Tier Tower Bookcase

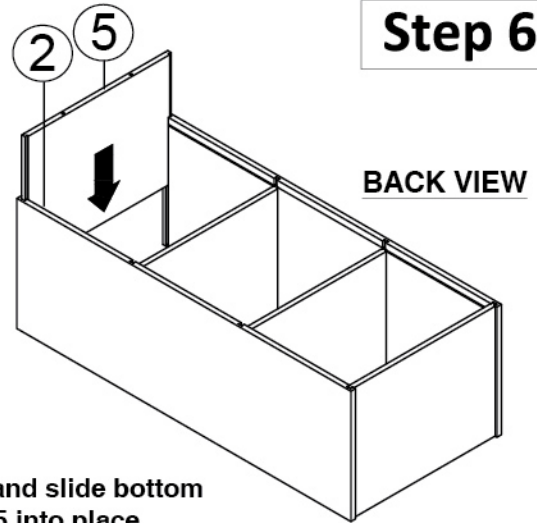
## Step 5

Align and slide top panel 4 into place

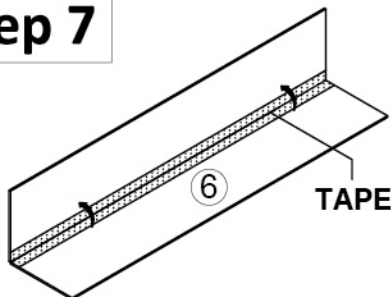


## Step 6

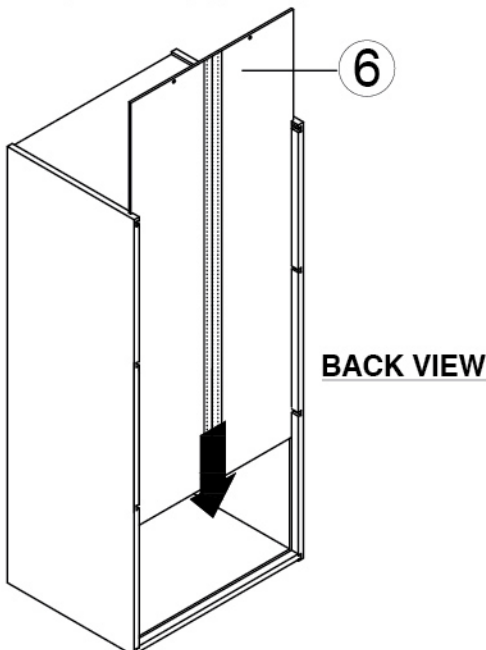
Align and slide bottom panel 5 into place



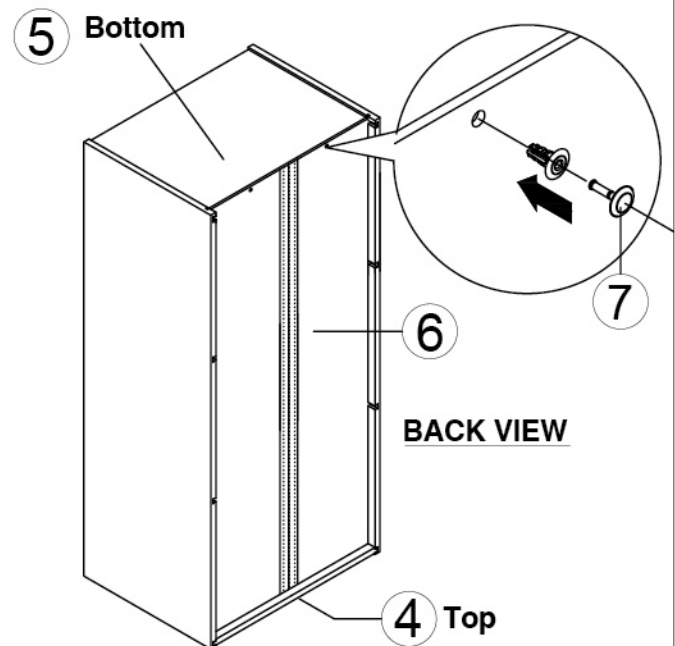
## Step 7



Unfold back panel 6. Invert the bookcase so it is vertical and upside down then align and slide the back panel all the way down the side panel grooves until it inserts itself fully in the top panel groove



## Step 8



Use the 2 piece fastener pins 7 to secure the back panel to the frame, then turn the completed bookcase over for use.

There is no tools needed to assemble this 4 Tier Tower Bookcase it simply slides together

### **CLEANING INSTRUCTION**

After assembly, clean and wipe with a damp cloth. Be sure to dry this paper veneer product after wiping. Never let water accumulate on the surface. Never let the unit sit in water or a moist environment.