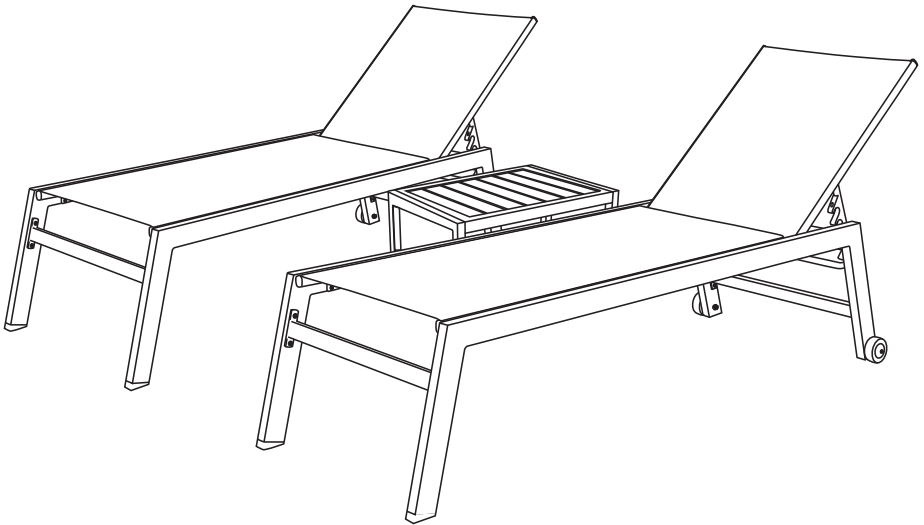


# ***Outdoor***

## ***Chaise Lounge (XJ)***



**ASSEMBLY AND OPERATION GUIDE**

# **Warnings and Cautions**

*Please retain this instruction for future usage and read carefully before assembly.*

*Make sure you have all the parts & hardware as item list shows.*

**2 adults** are recommended to install your chair and table.

*Do not discard any of the packaging until you have checked that you have all the parts and pack of fittings.*

*Check all bolts for tightness before use, and periodically check and tighten bolts ensure your chair works properly.*

*Some parts might have sharp edges/corners. Please follow basic safety precautions to reduce the risk of hurts.*

## **Notes**





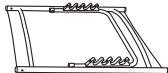

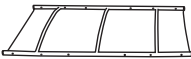











- 1. Chemicals in swimming pool's water might cause fading.*
- 2. Cleaning and drying the chairs after it rains.*
- 3. Cleaning and drying the chair in time if exposed to chemicals.*
- 4. Please cover and store it if not in use.*

## **CHOKER HAZARD**

**THIS ITEM CONTAINS SMALL PARTS WHICH CAN BE SWALLOWED BY CHILDREN.**

**PLEASE KEEP IT AWAY FROM CHILDREN UNDER 3 YEARS OLD AND PETS DURING INSTALLATION.**

# Check List

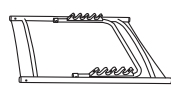
Part No.	Image	QTY		Part No.	Image	QTY
A		1		J	 M6×1×12	30
B		1		K	 M6×1.5×18	2
C		1		L	 M6	2
D		1		M	 M6×15	16
E		2		N	 M6×35	14
F		1		O	 M6×80	2
G		1		P		32
H		2		Q		1
I		2		R		1

# 1

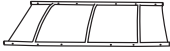
Bx1



Cx1



Dx1



Jx7



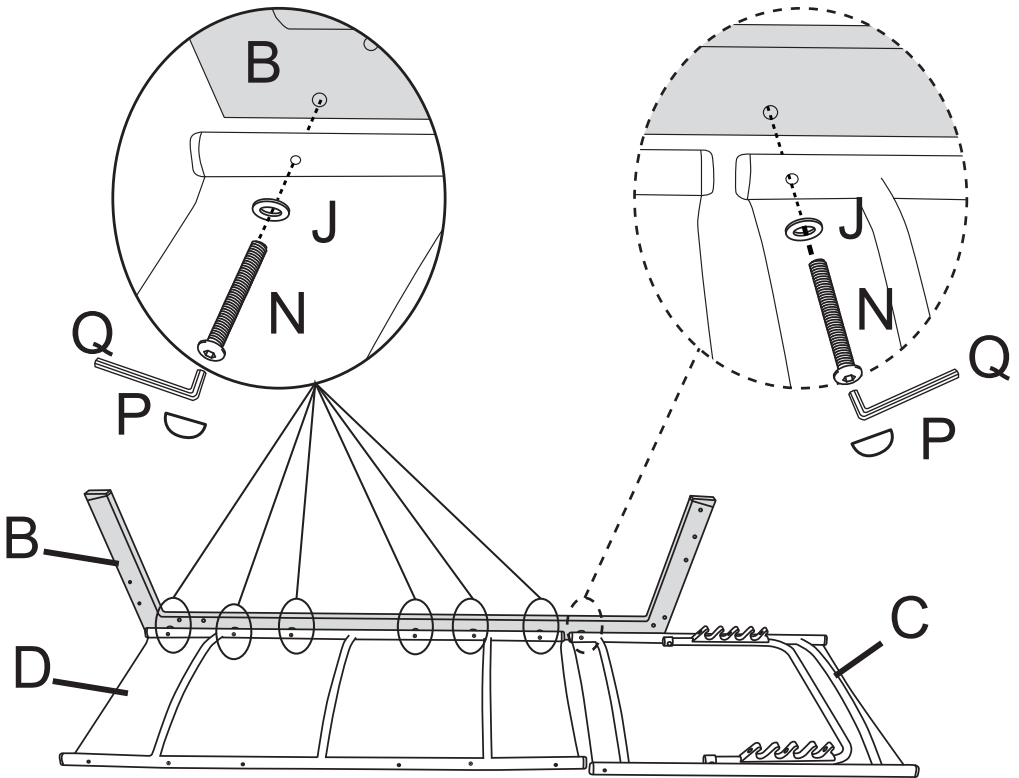
Nx7








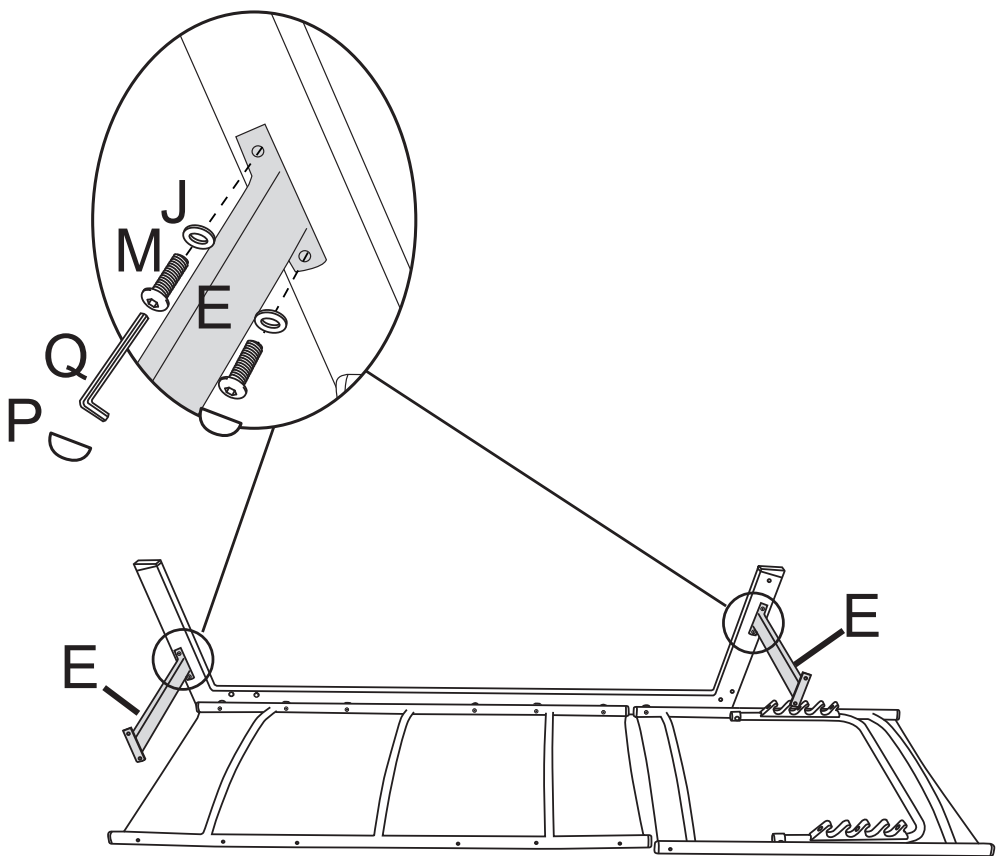
Px7



Qx1



E×2		J×4		M×4	
P×4		Q×1			



# 3

F×1



G×1



J×4



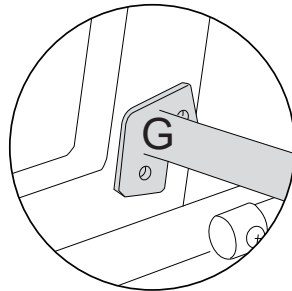
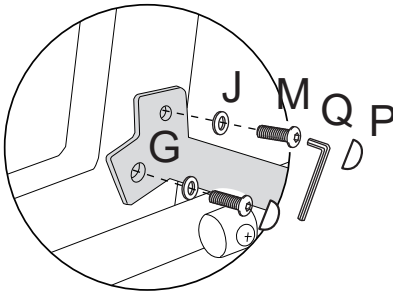
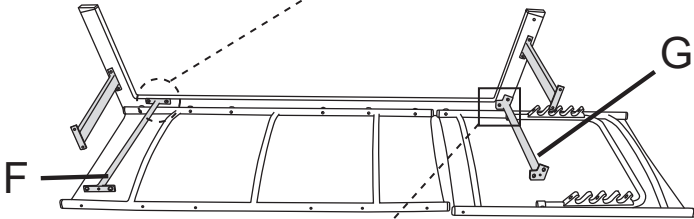
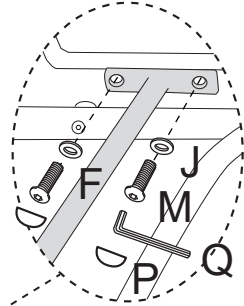
M×4



P×4



Q×1



A×1



J×7



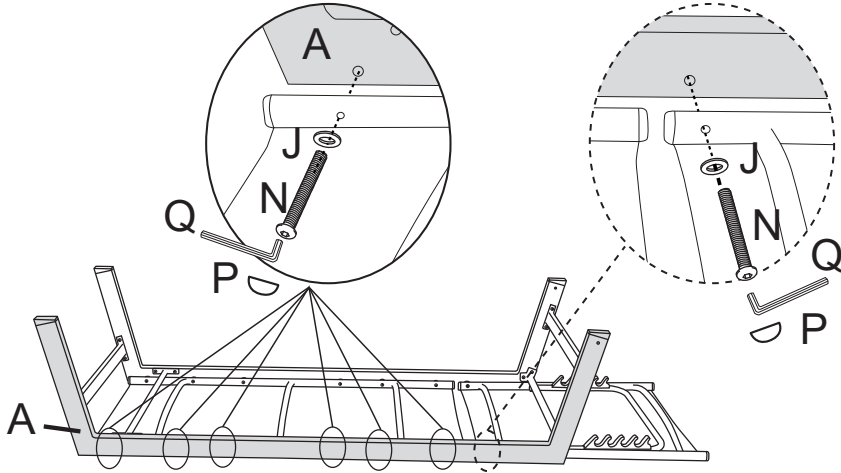
N×7



P×7



Q×1



J×8



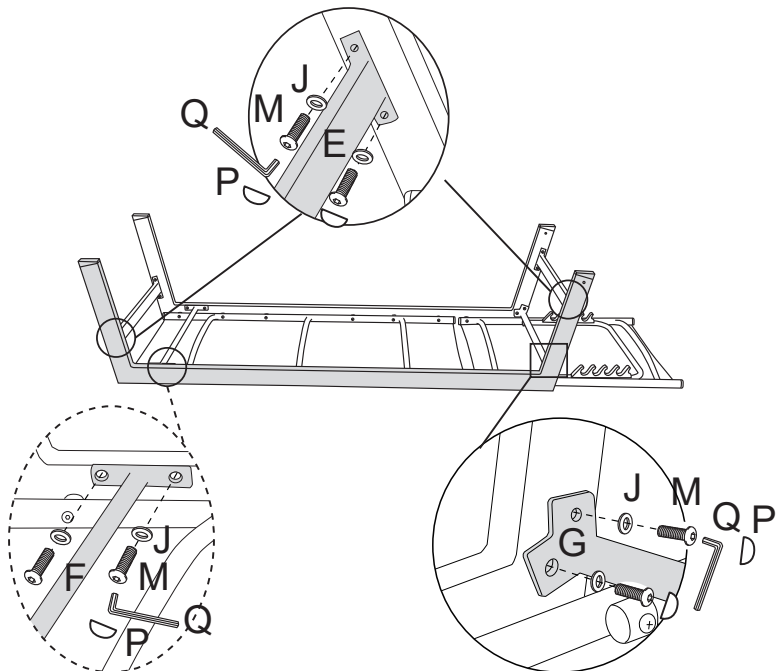
M×8



P×8



Q×1



# 5

Hx2



Ix2



Kx2



Lx2



Ox2



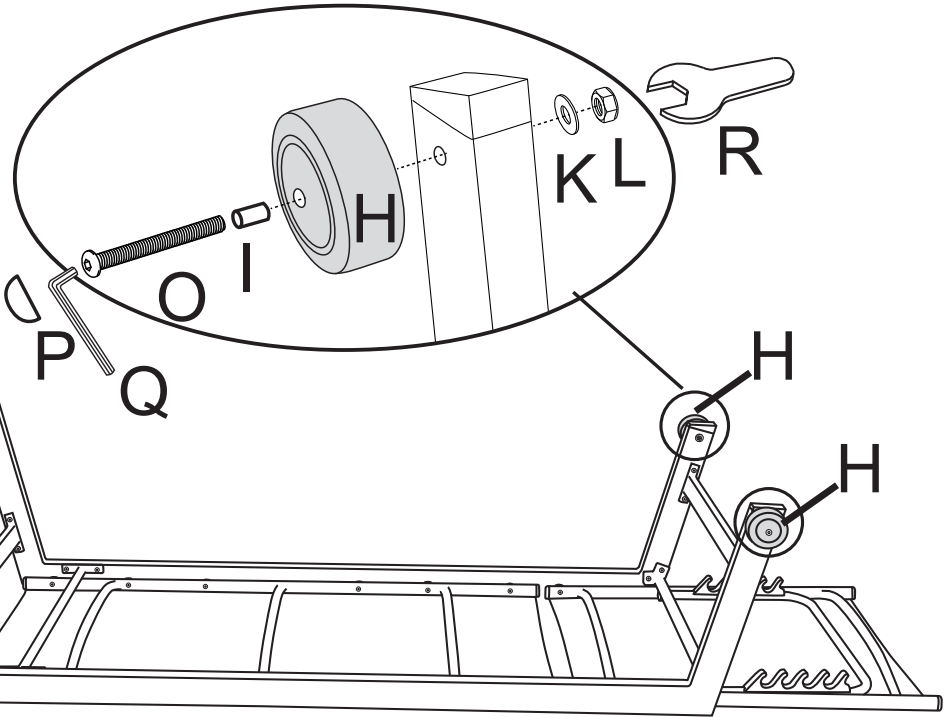
Px2

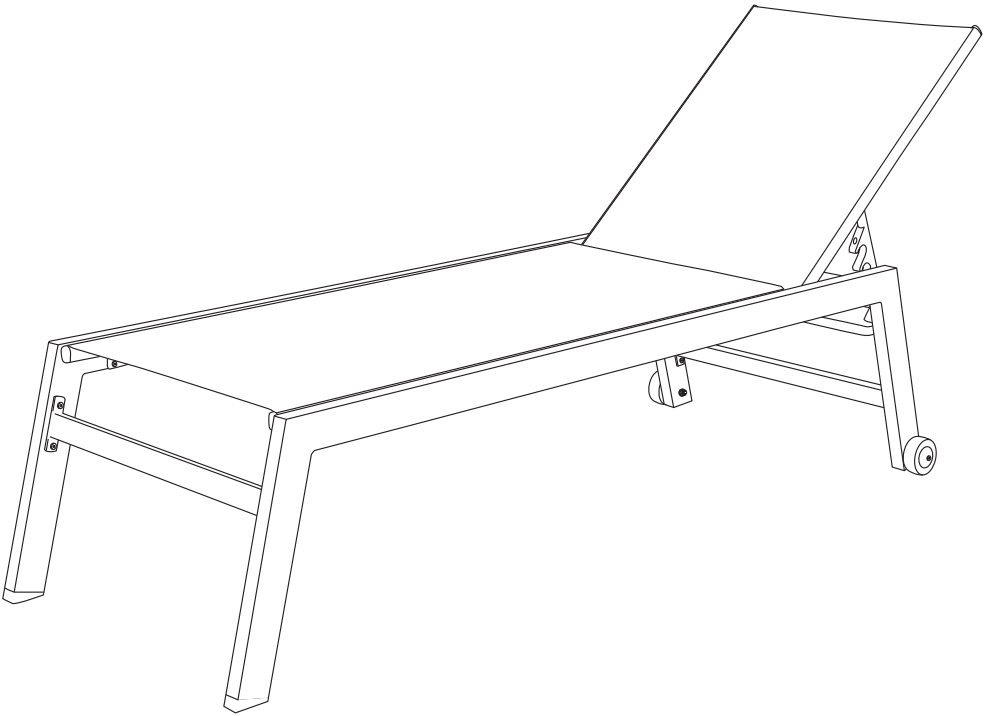


Qx1



Rx1

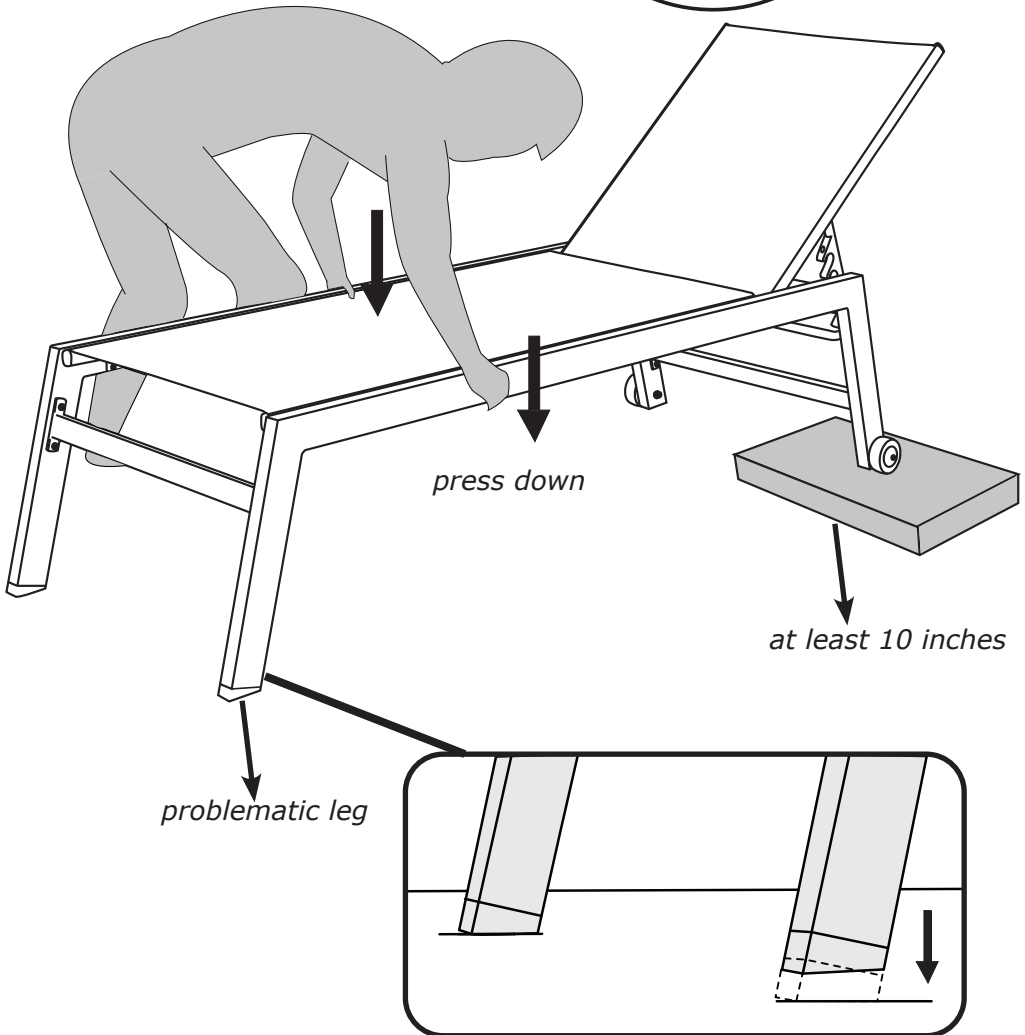
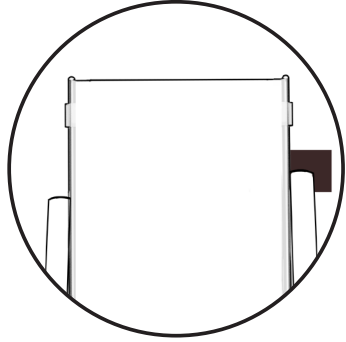




**Note**

How to fix uneven chair.

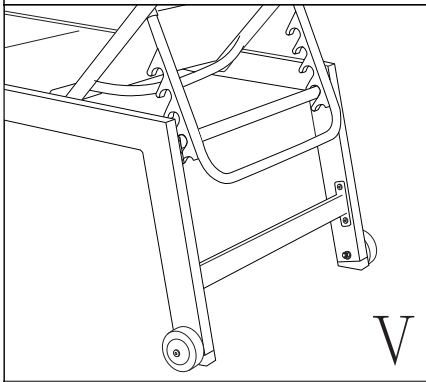
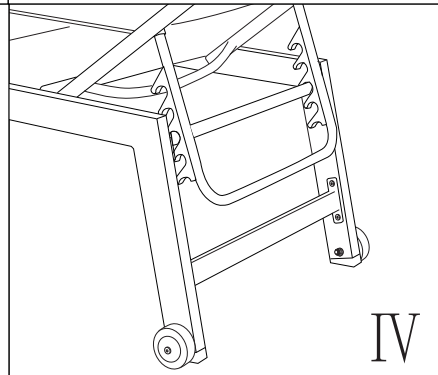
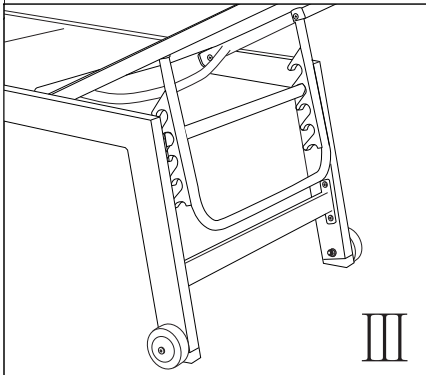
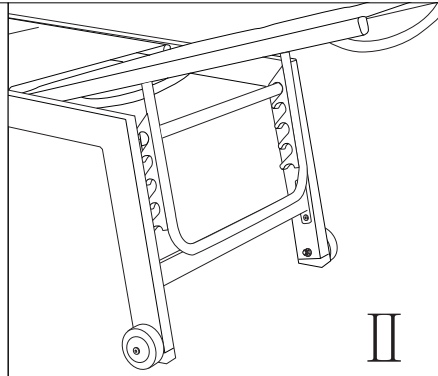
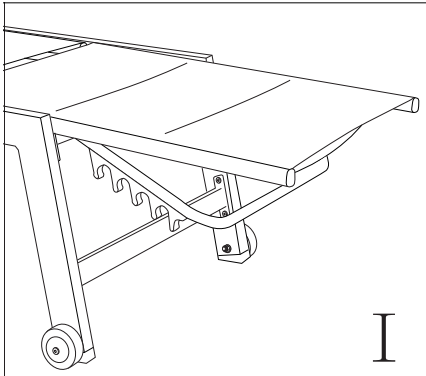
*The problematic leg of the chair on a higher plane or object.*

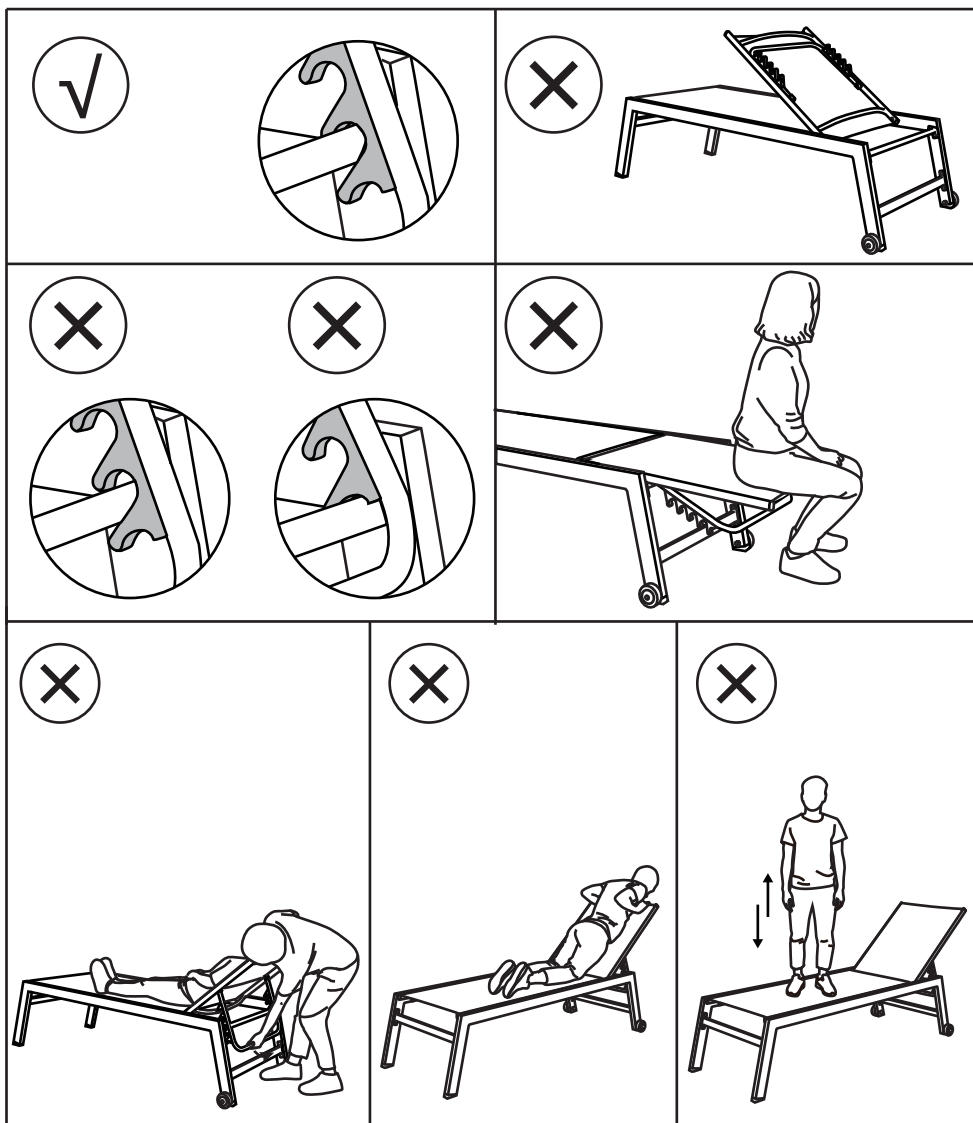


press down

at least 10 inches

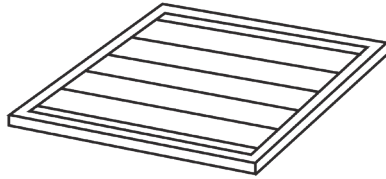
problematic leg



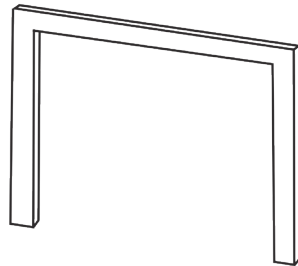


# *Check List*

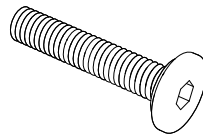
**A×1**



**B×2**



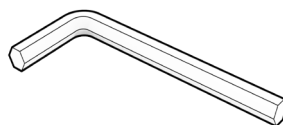
**C×4**  
(M6×30)

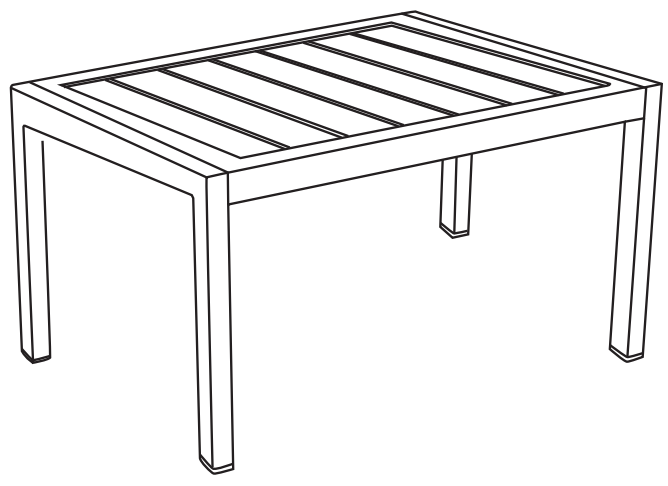
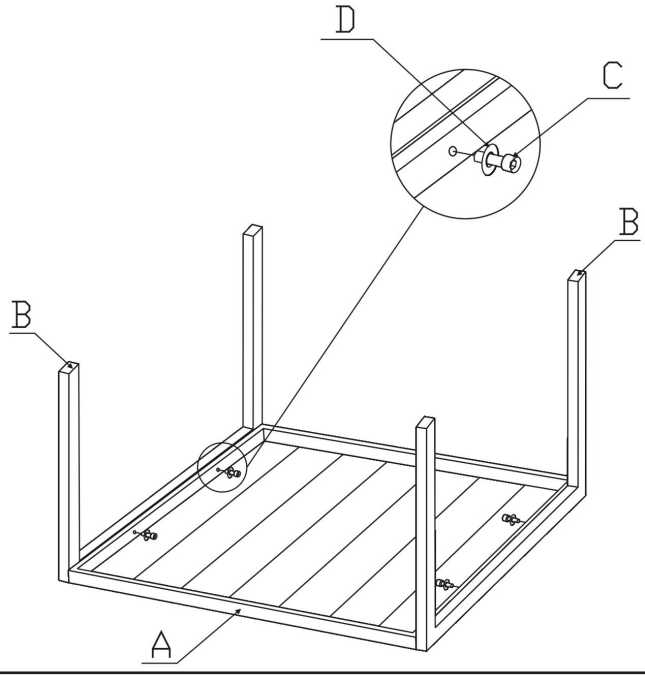
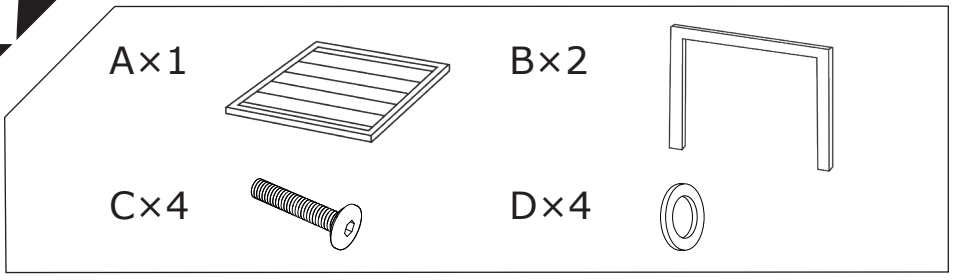


**D×4**  
(M6)



**E×1**





# **Warranty**

## **Frames**

*Frames constructions are warranted to be free from defects in material and workmanship for 1 year from item purchased. Damage to frame from negligence won't be covered by this warranty.*

## **Bolts & nuts**

*Bolts and nuts are warranted to be free from defects in material and workmanship for 1 year from item purchased. Damage from exposure to chemicals (including not only oils, spills, fluids) won't be covered by this warranty.*

## **Fabric**

*Fabric is warranted to be free from defects in material and workmanship for 1 year from item purchased. Damage from exposure to chemicals (including but not only oils, spills, fluids) won't be covered by this warranty.*

## **Warranty Limitation**

*This warranty is for the original purchase order only. (Order number required). This warranty is non-transferable. Responsible for the free replacement part including shipping charges for the 1 year warranty.*

## **Warranty Exclusion**

*This warranty does not cover products subject to negligence, abuse usage, inappropriate installation. Reserves the right to explain warranty exclusions. When the replacement item is applied, the 1 year warranty automatically expires. Please feel free to contact us for applying warranty.*