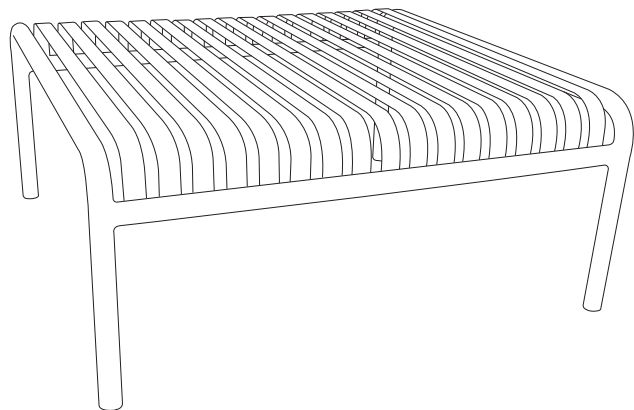


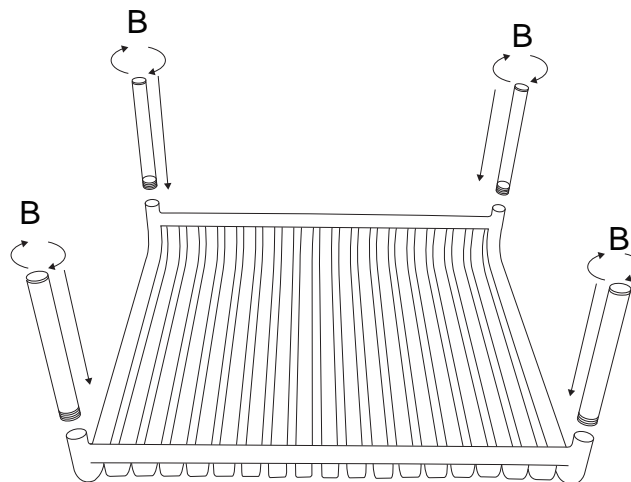
Assembly Instructions

ENID-36 Outdoor Coffee Table

PLEASE NOTE: Check that you have received all components and hardware before assembling. If you are missing any parts, contact your retailer.

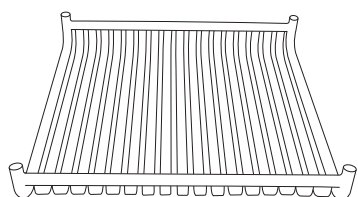
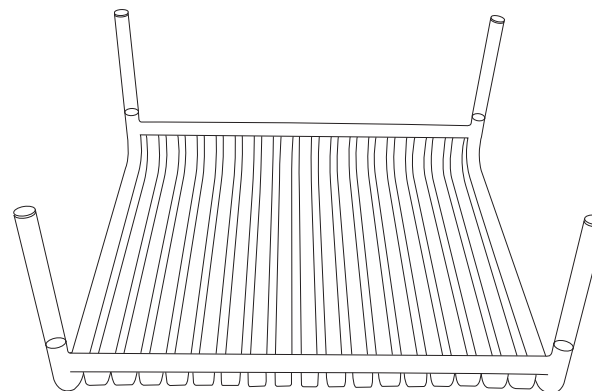


Step 1

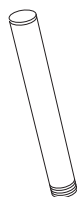


A

Step 2



A (1pc)



B (4 pcs)

During assembly, hand tighten screws only. When the screws are in place, tighten completely.