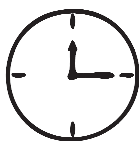
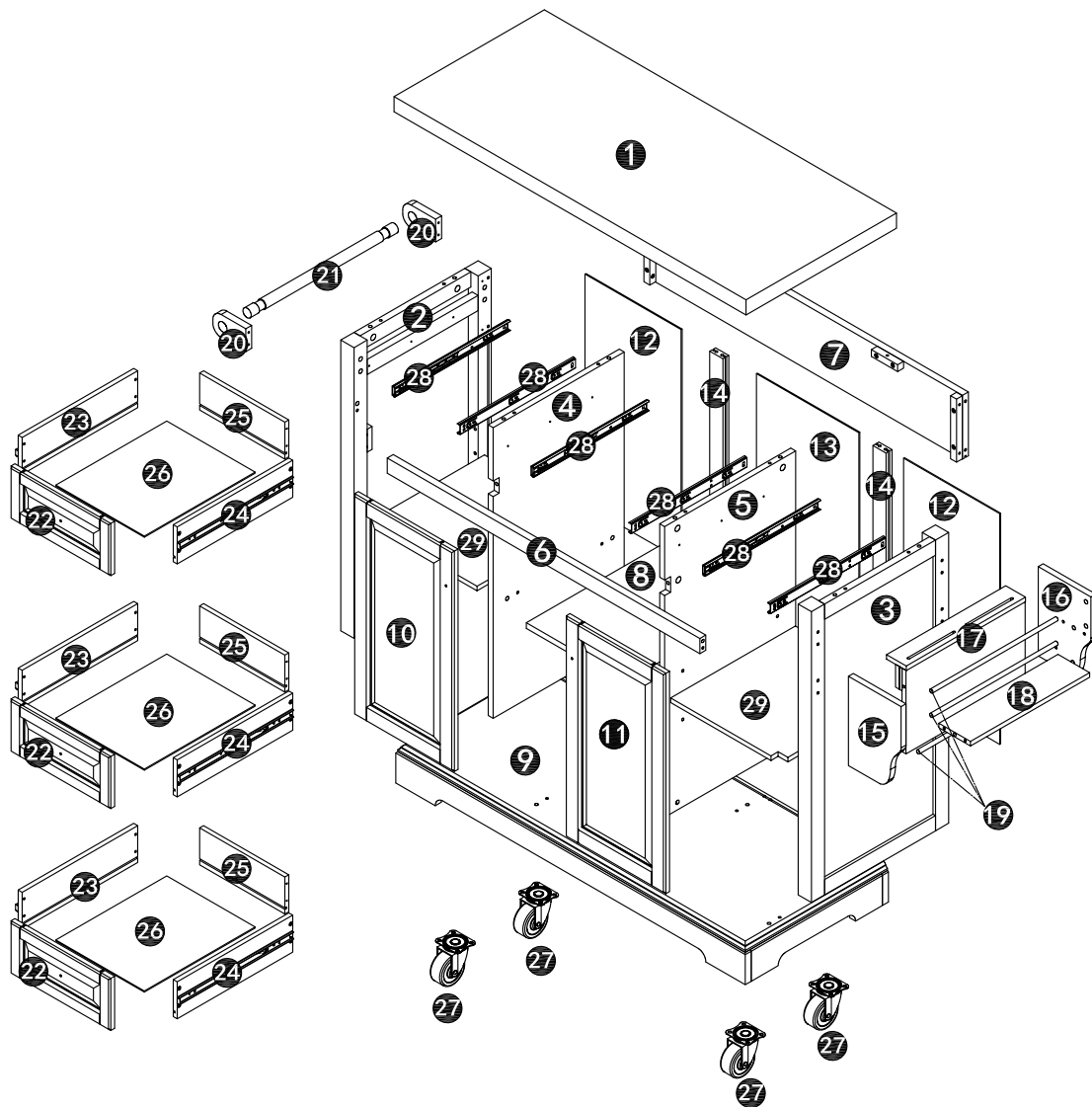

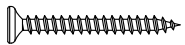

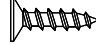
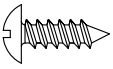
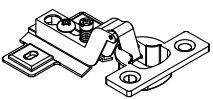

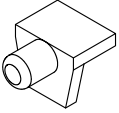
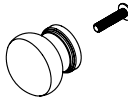


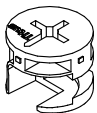




2PERS.

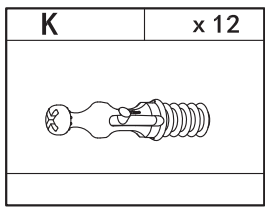
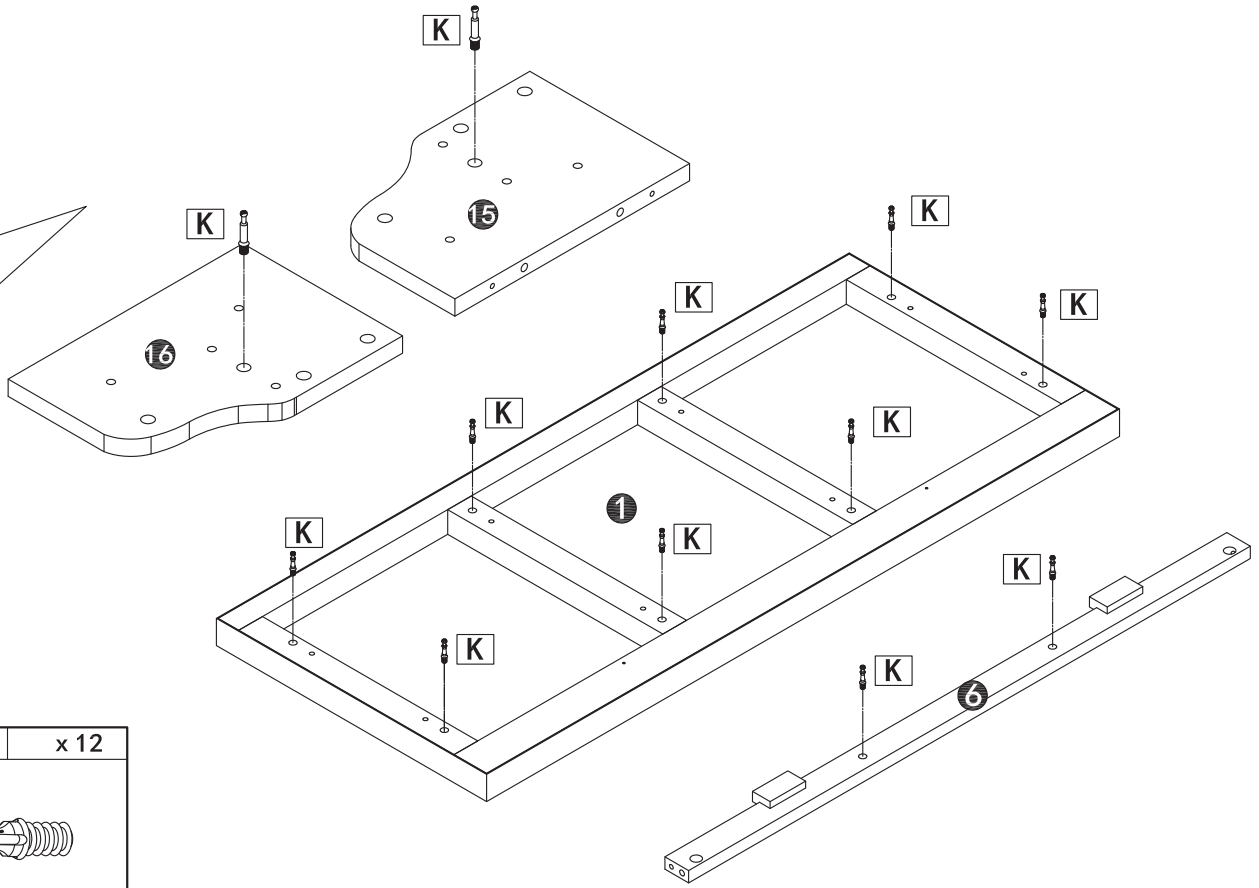
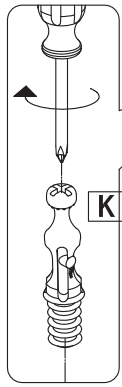


60MIN

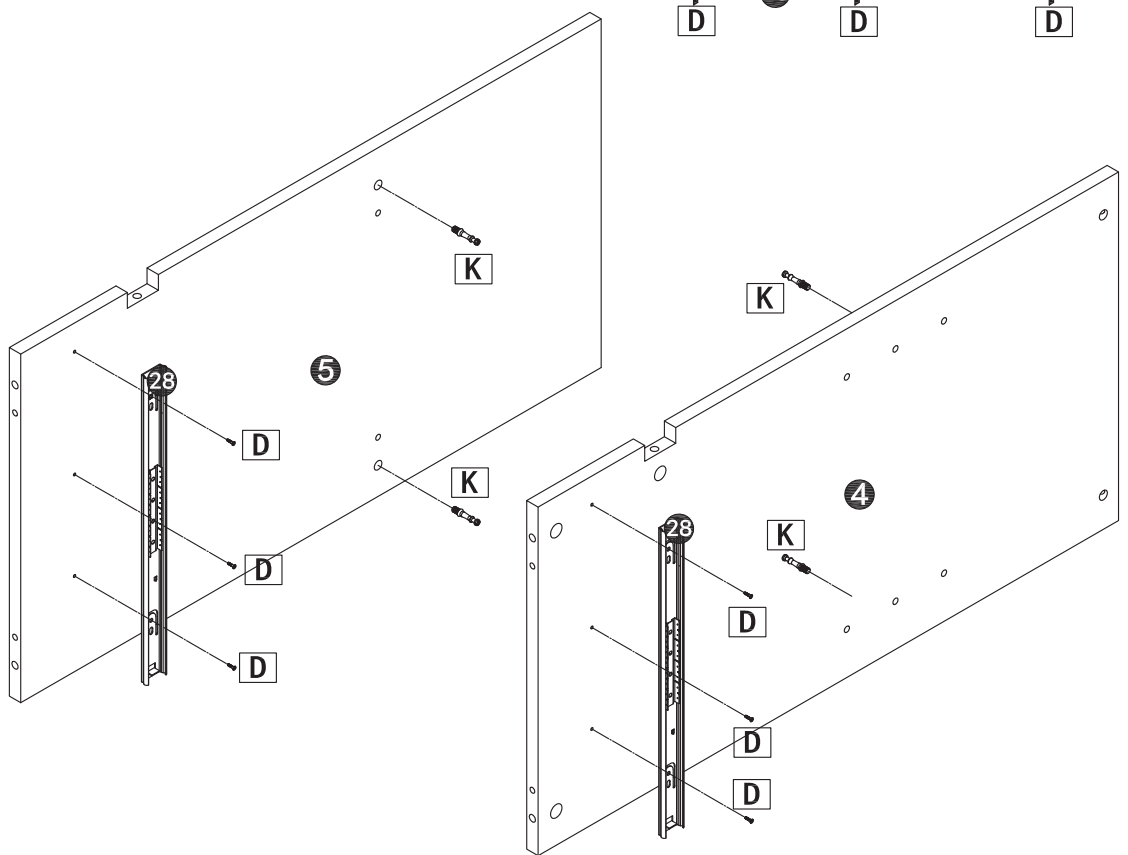
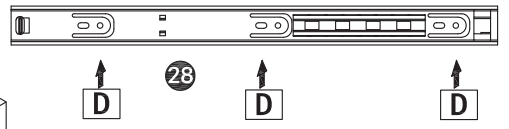
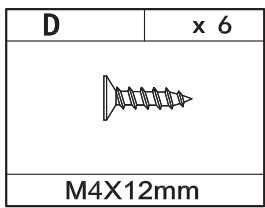
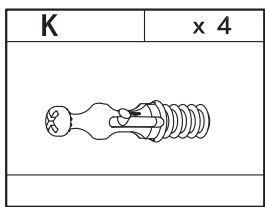


A x 8  M6X45mm	B x 8  M5X55mm	C x 30  M4X30mm	D x 34  M4X12mm	E x 16  M5X16mm
F x 4 	G x 46  Ø6X30mm	H x 8 	I x 5 	J x 8 
K x 18 	L x 16 	M x 2 	N x 1 	


1

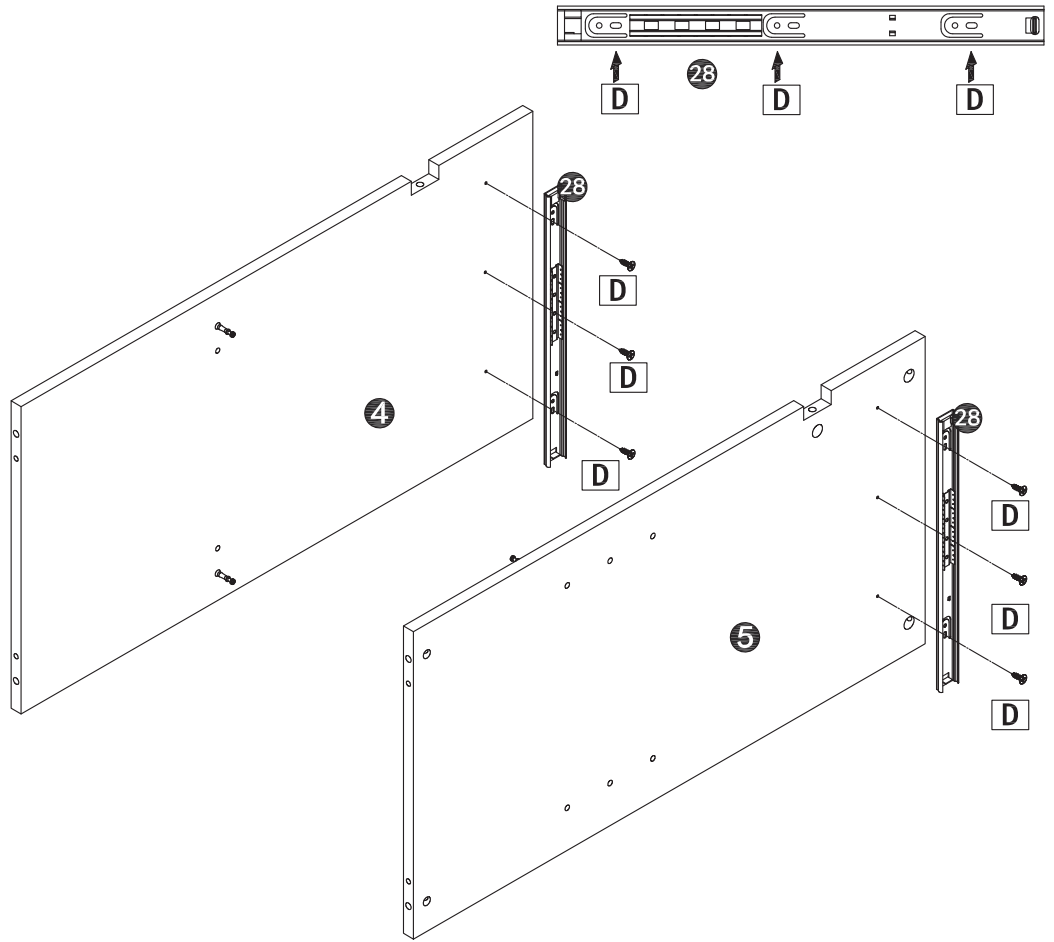


2

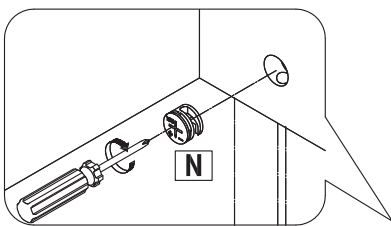



3


D	x 6
	
M4X12mm	

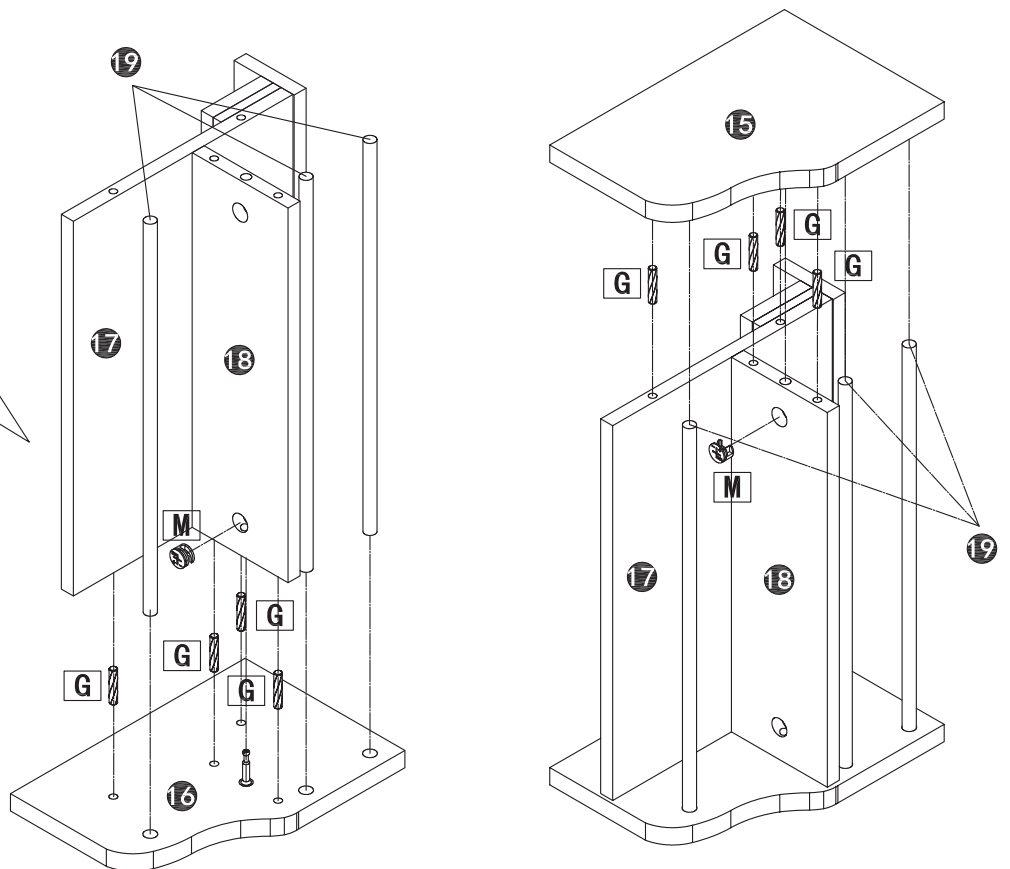


4

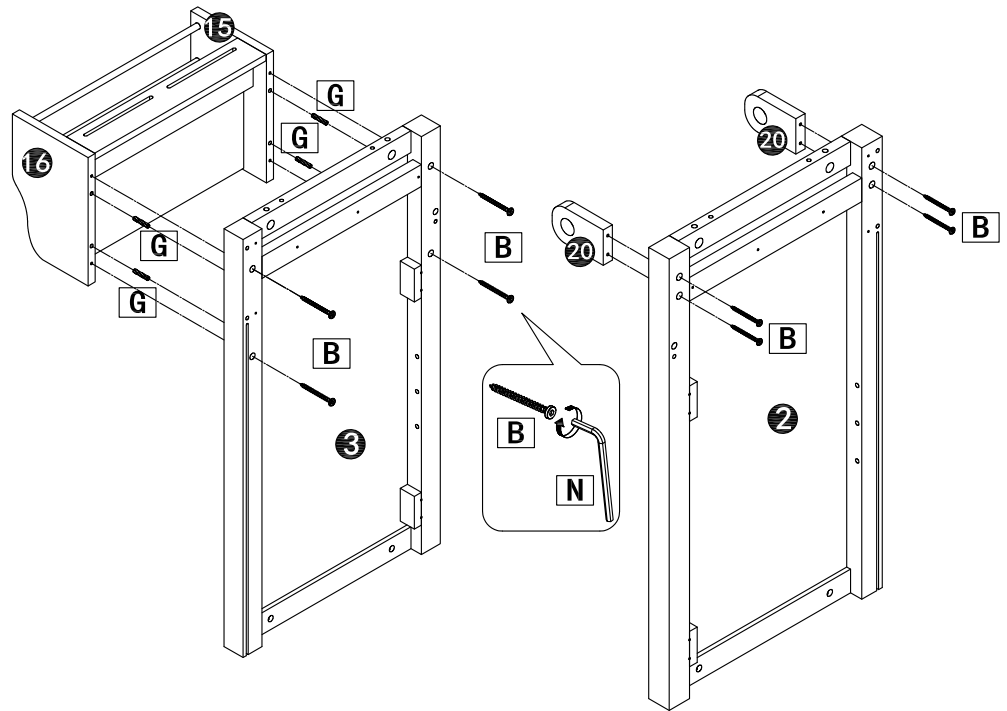
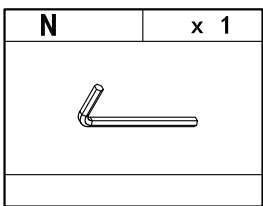
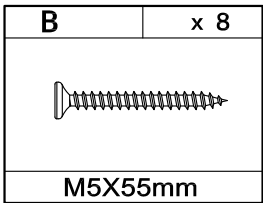
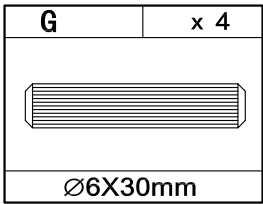


G	x 8
	
Ø6X30mm	

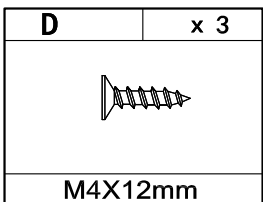
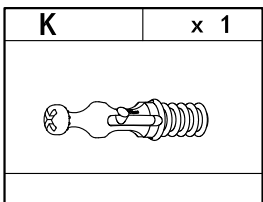
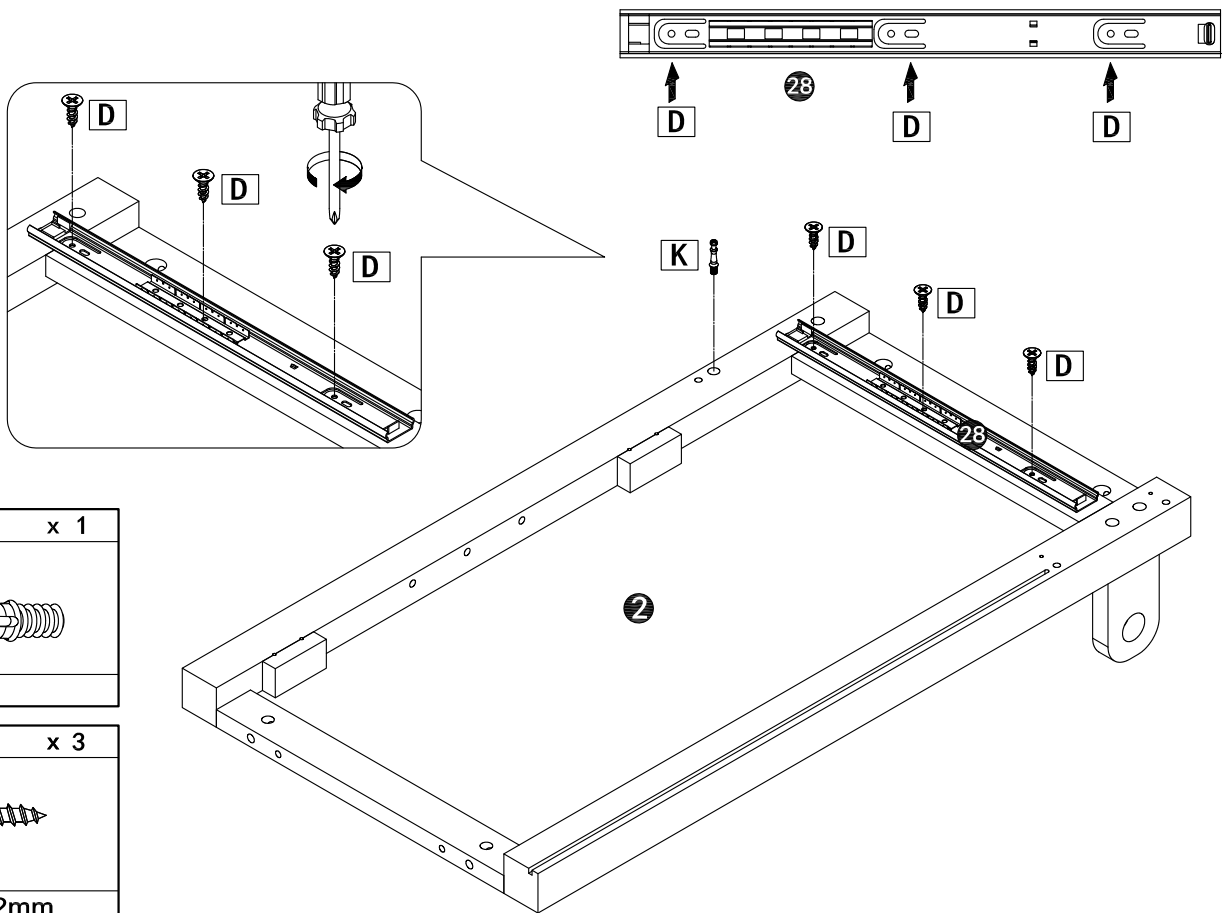
M	x 2
	



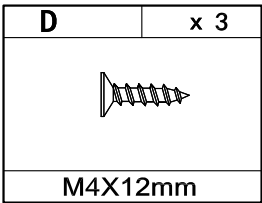
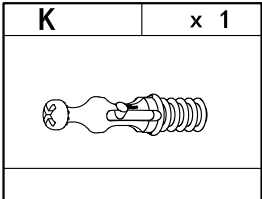
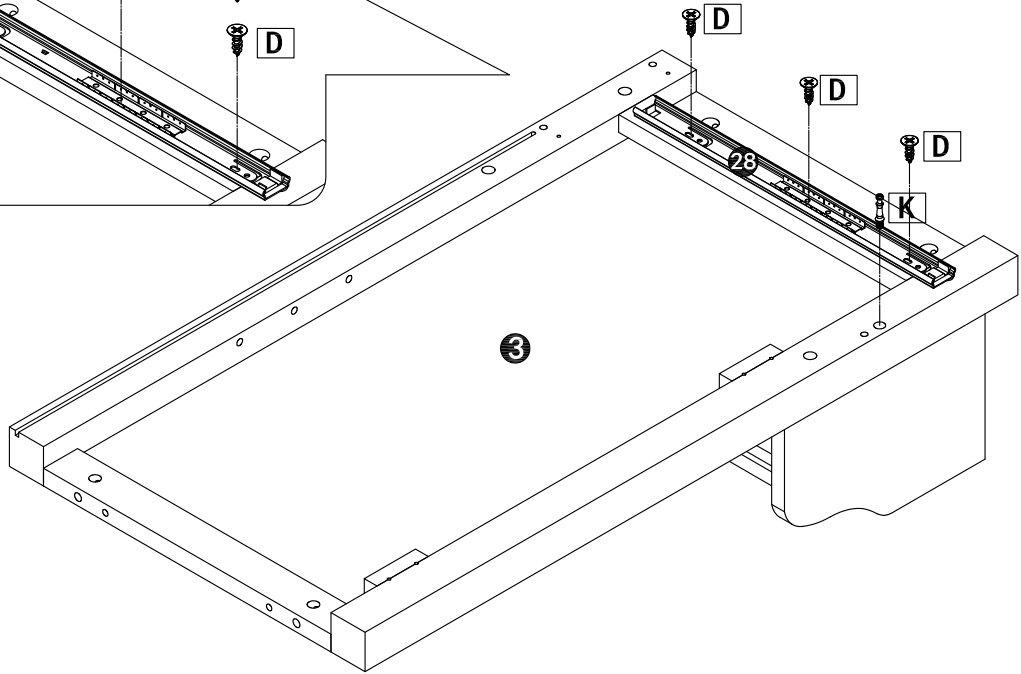
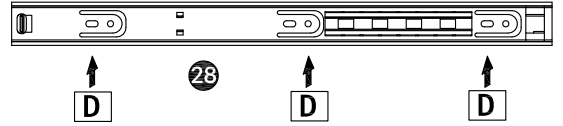
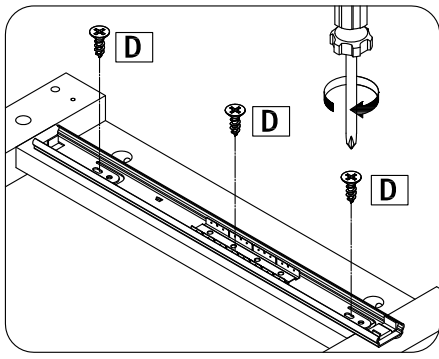
5



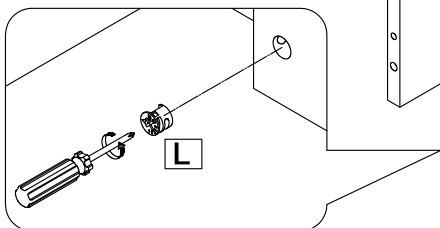
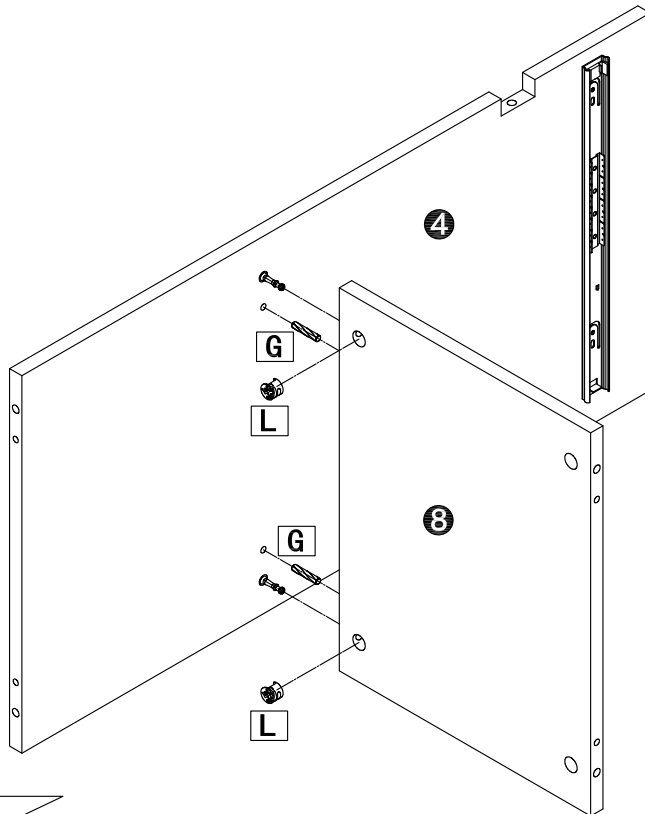
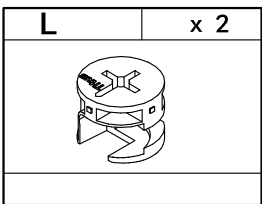
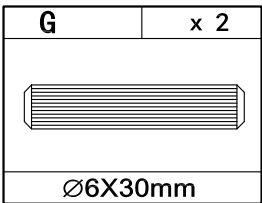
6



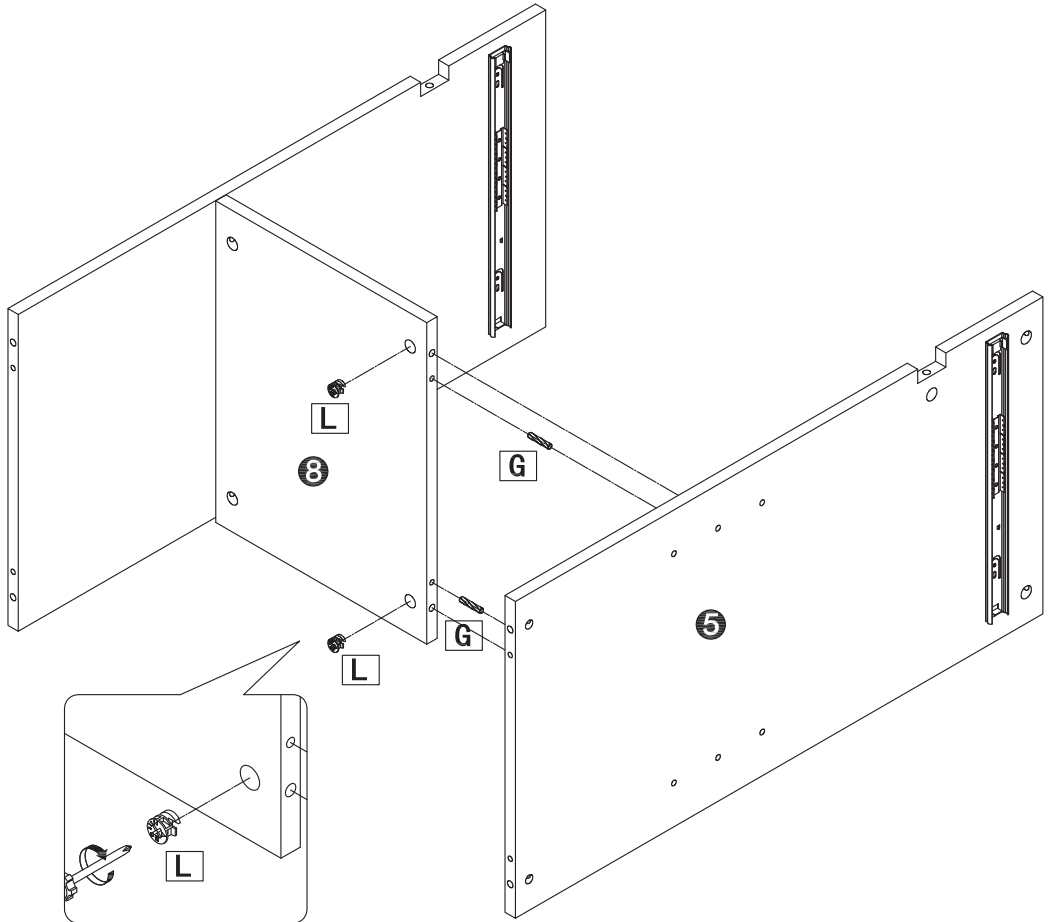
7



8



9

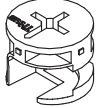


G x 2

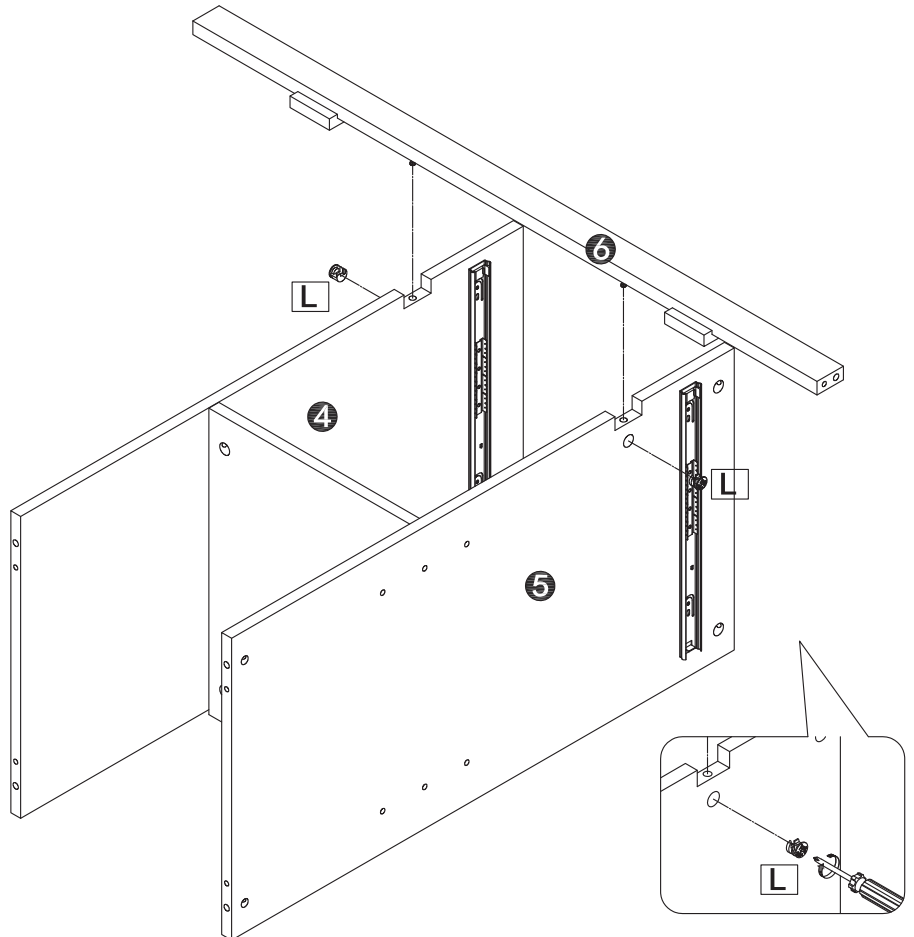


Ø6X30mm

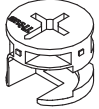
L x 2



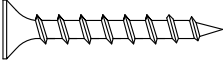
10




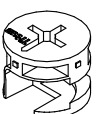
L x 2

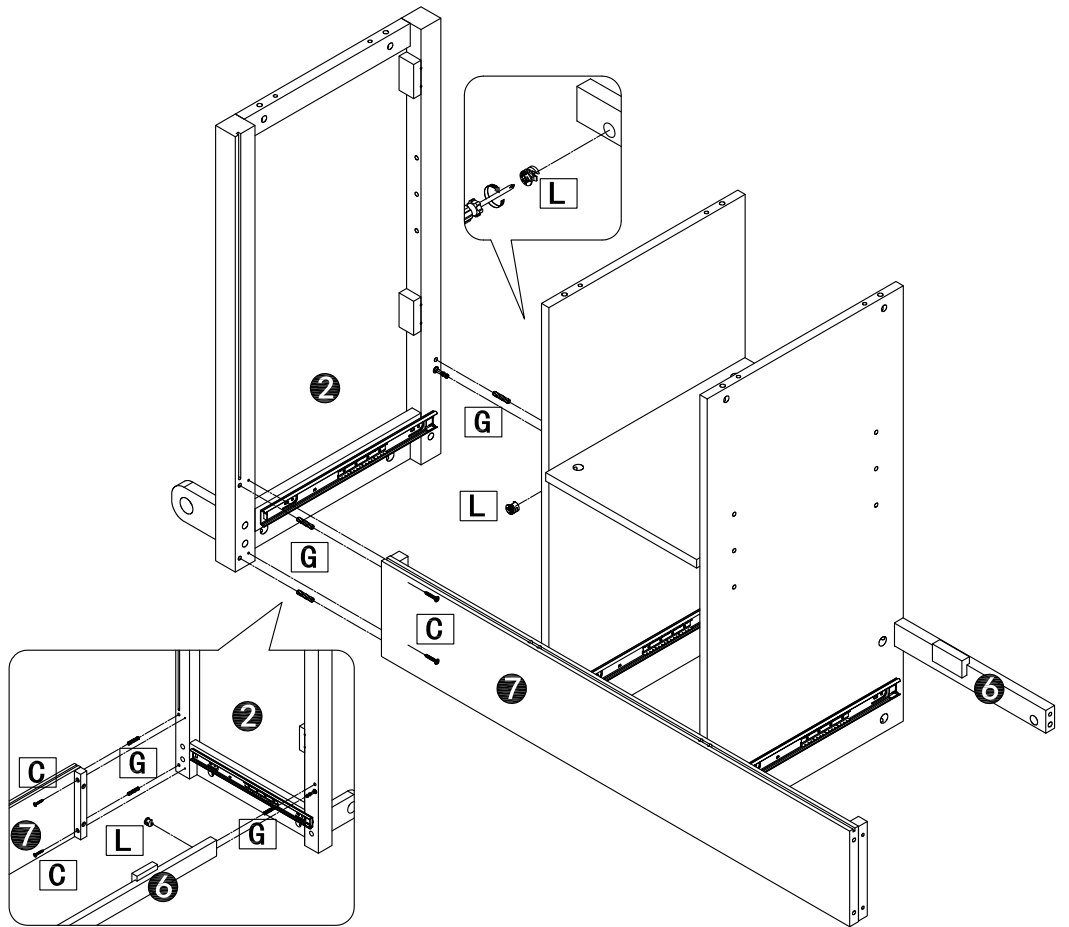


11

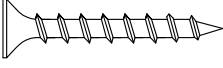
C	x 2
	
M4X30mm	


G	x 3
	
Ø6X30mm	

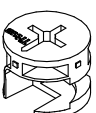
L	x 1
	

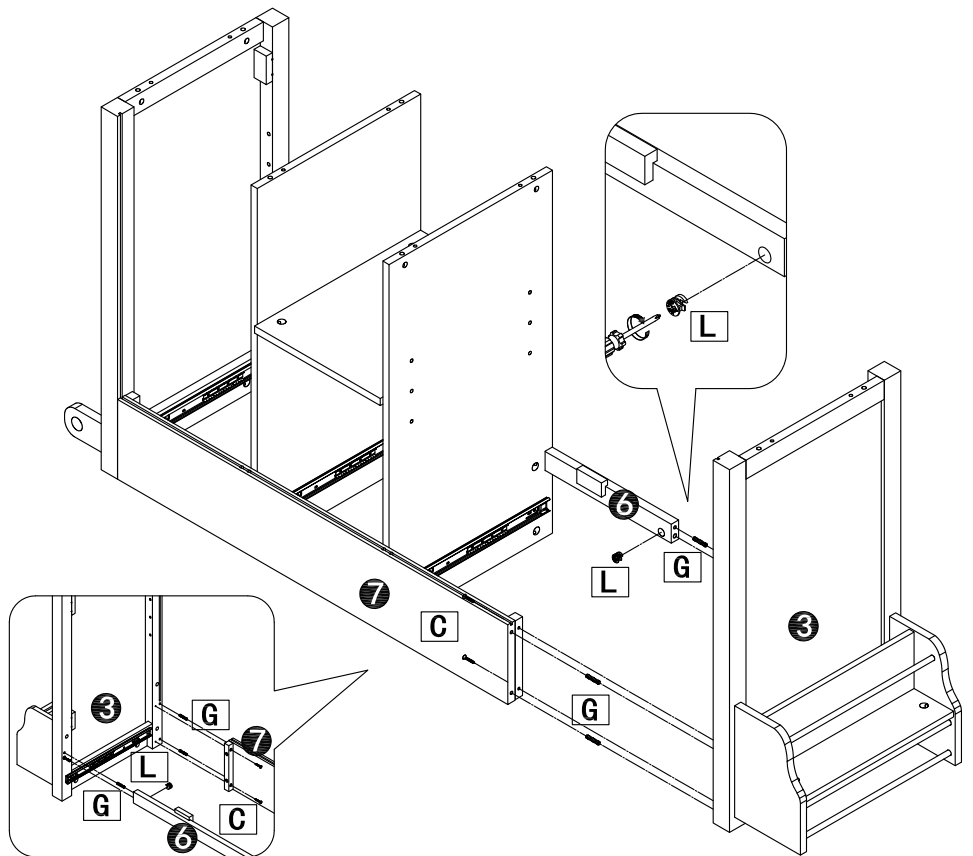


12

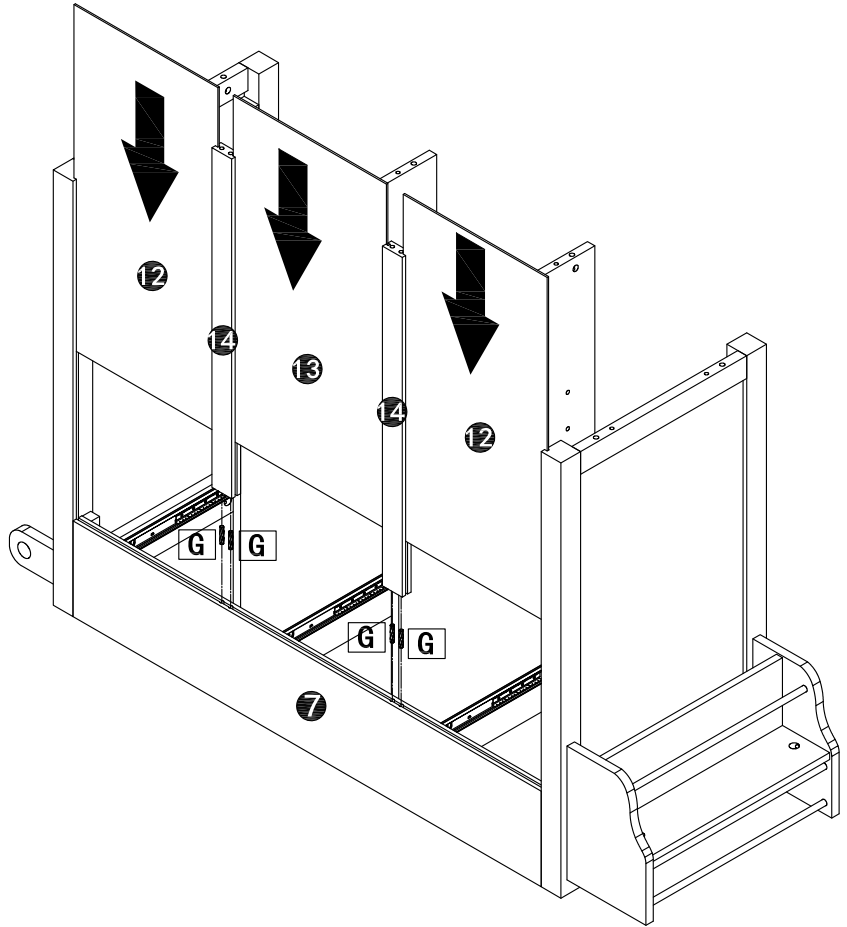
C	x 2
	
M4X30mm	


G	x 3
	
Ø6X30mm	

L	x 1
	





13





G	x 4
	
$\varnothing 6 \times 30 \text{mm}$	

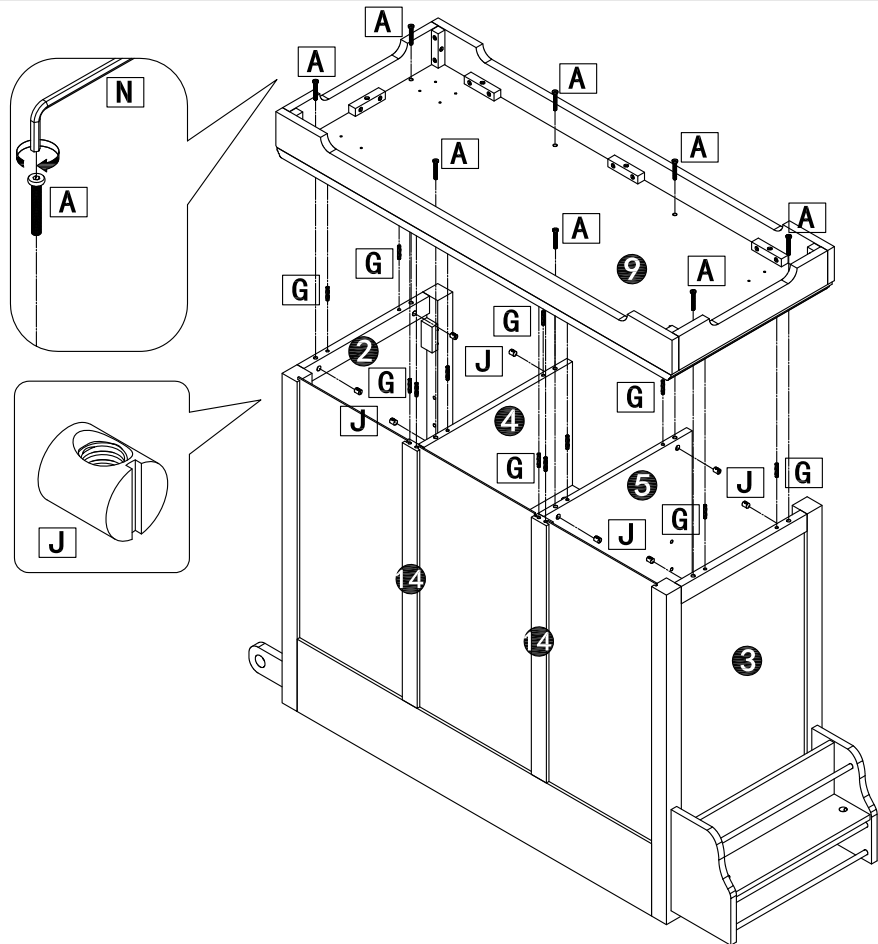
14

A	x 8
	
M6X45mm	

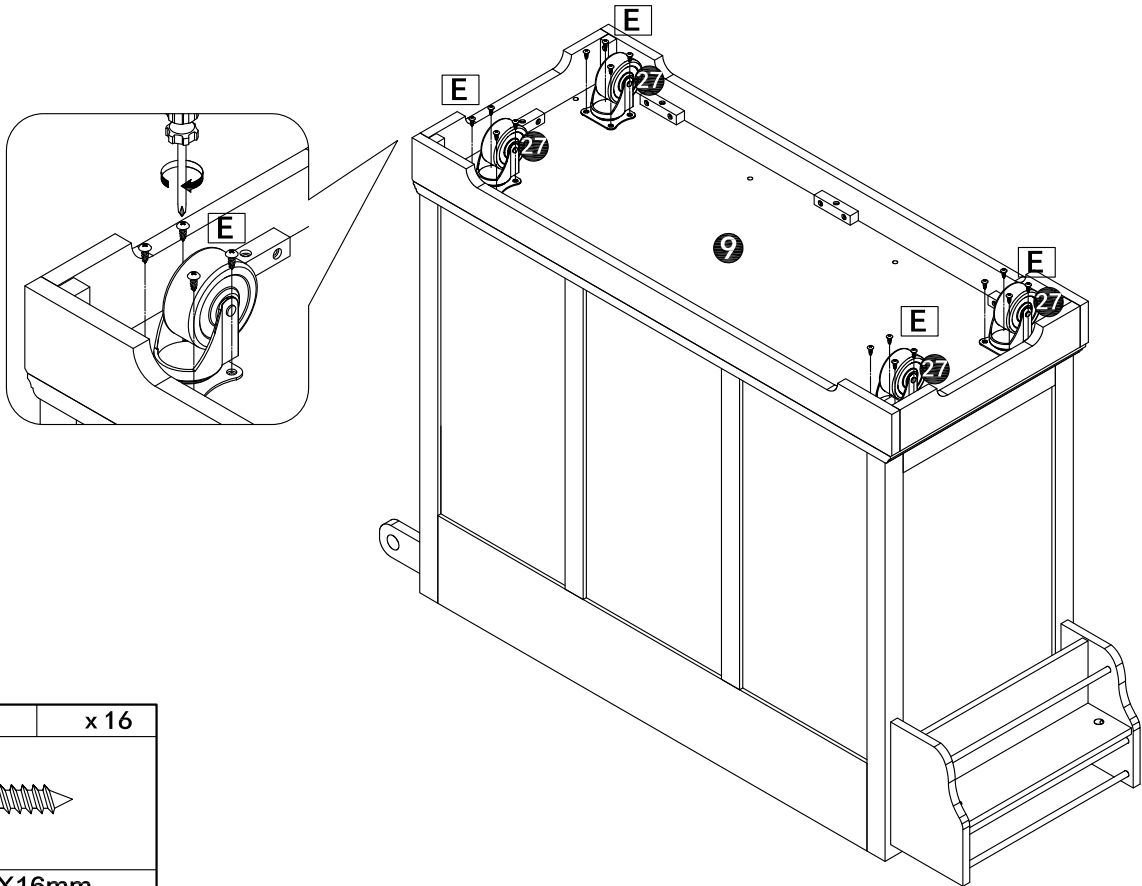
G	x 12
	
$\varnothing 6 \times 30 \text{mm}$	


J	x 8
	

N	x 1
	

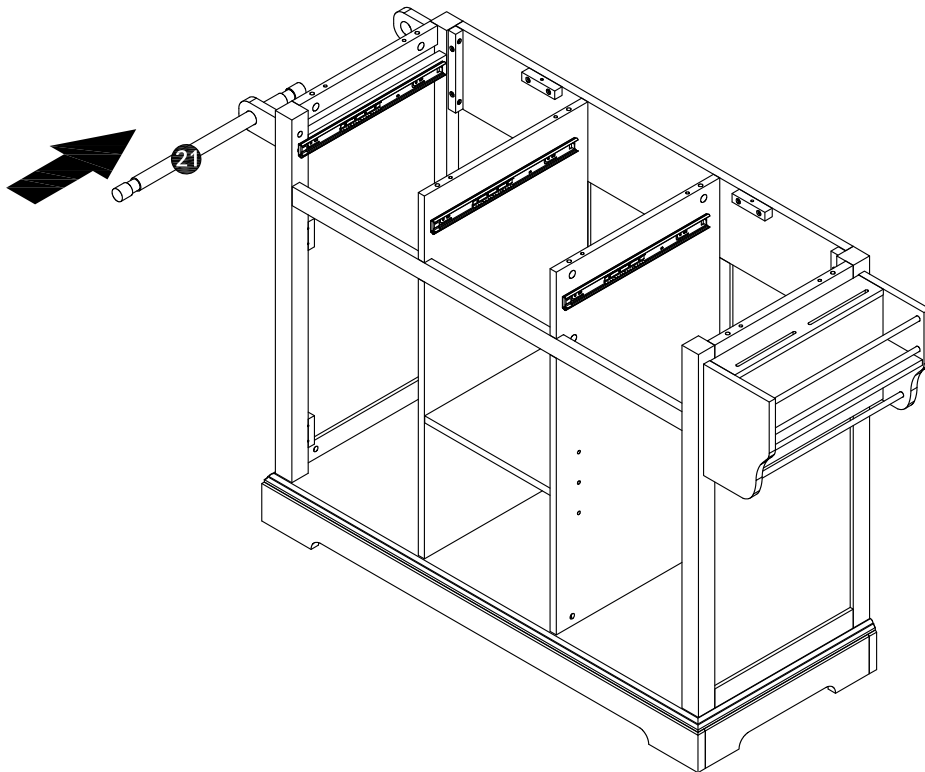


15

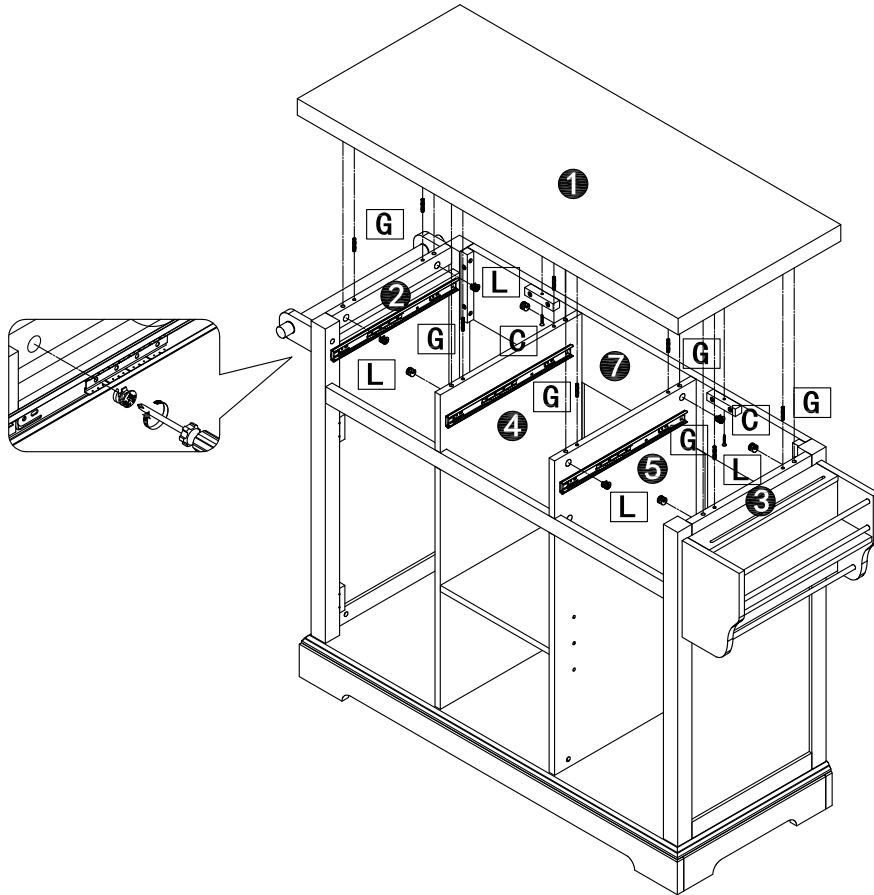
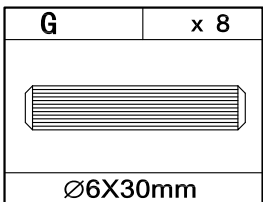
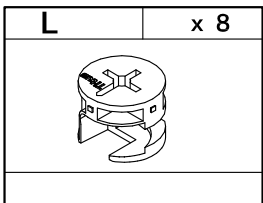
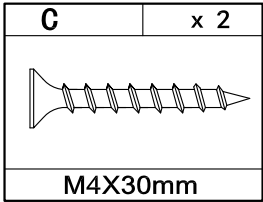


E	x 16
	
M5X16mm	

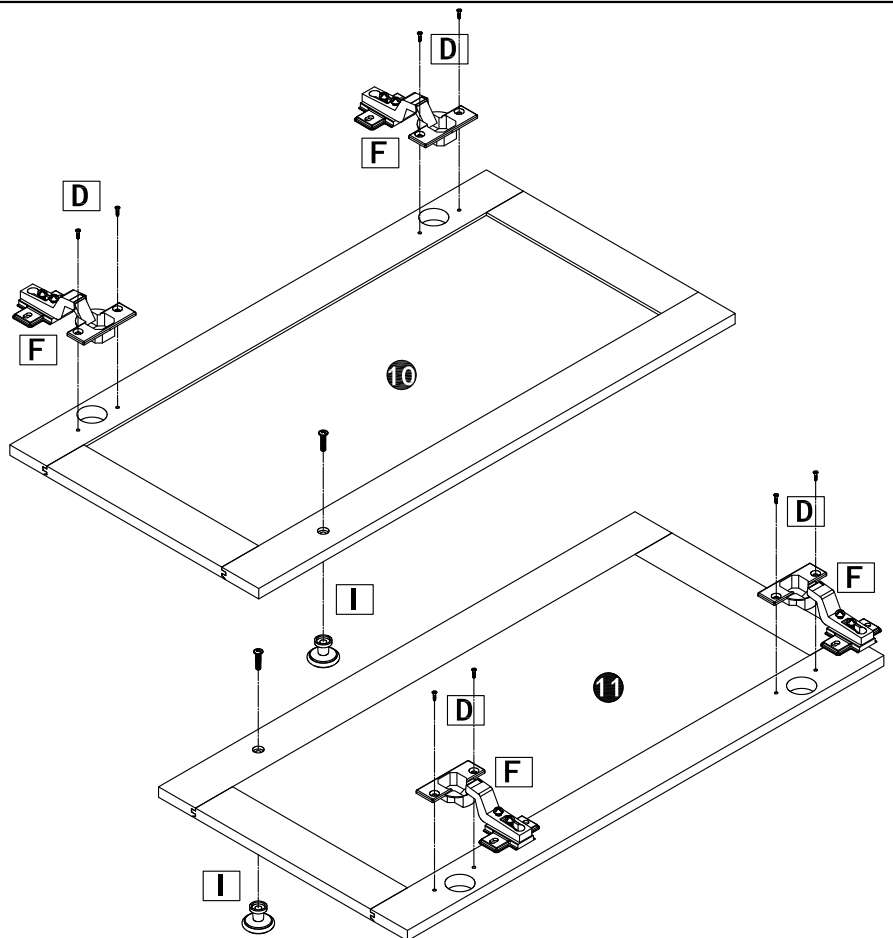
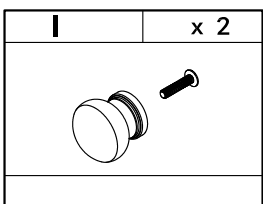
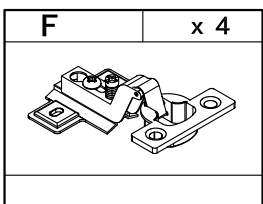
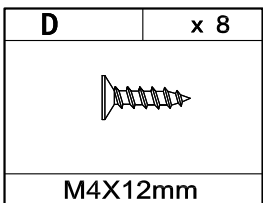
16



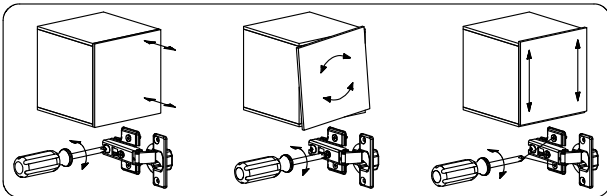
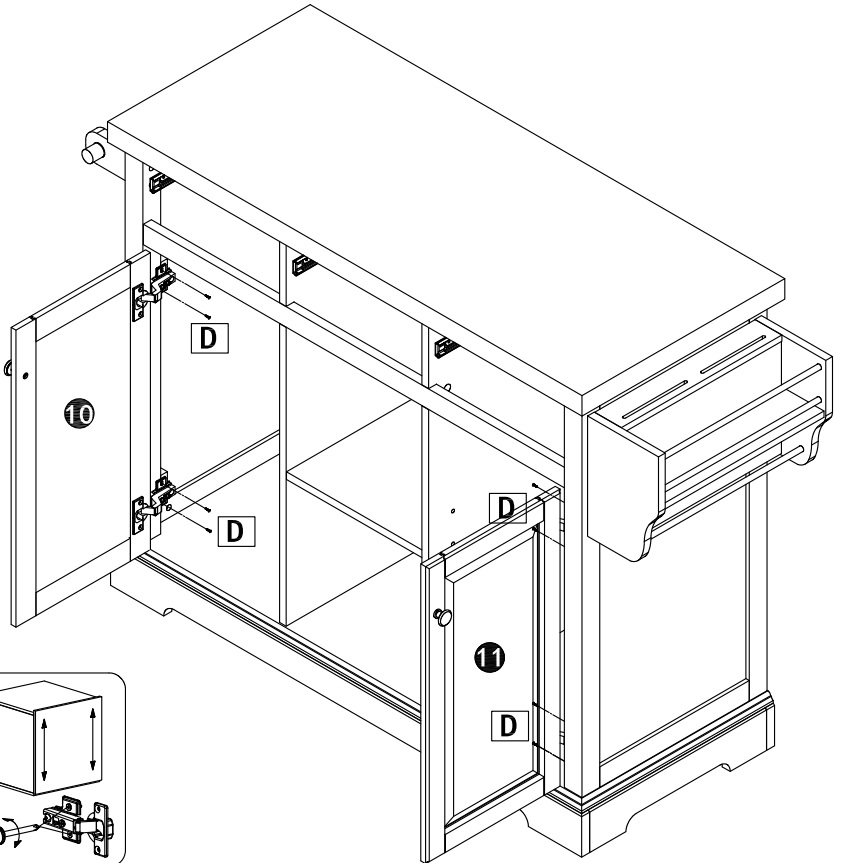
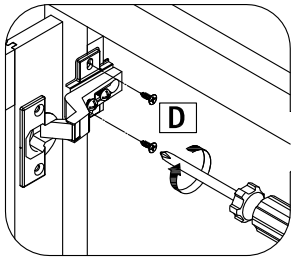
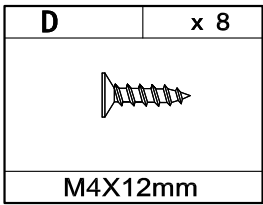
17



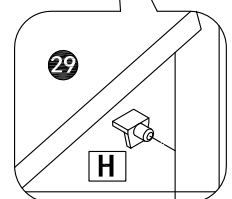
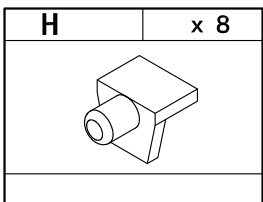
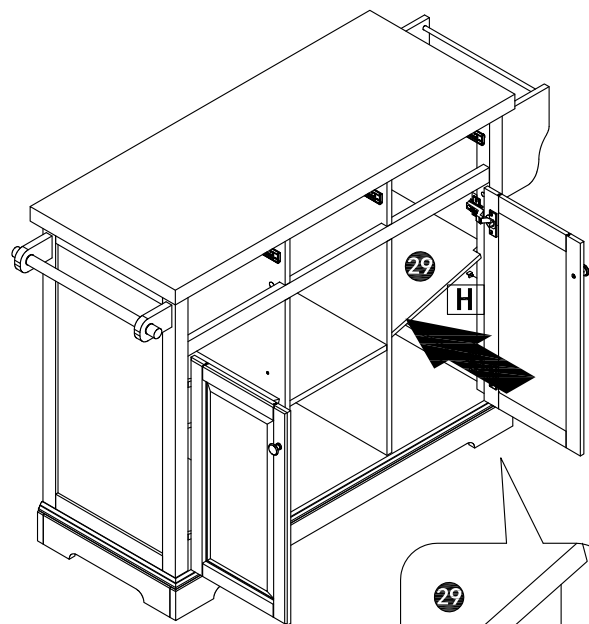
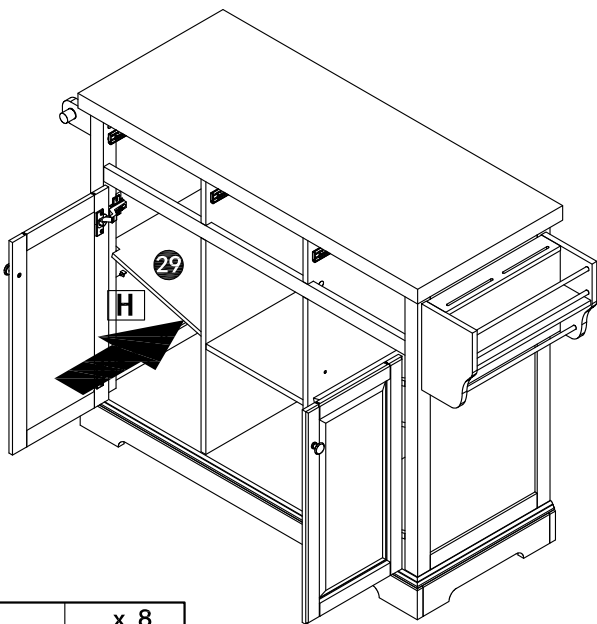
18



19

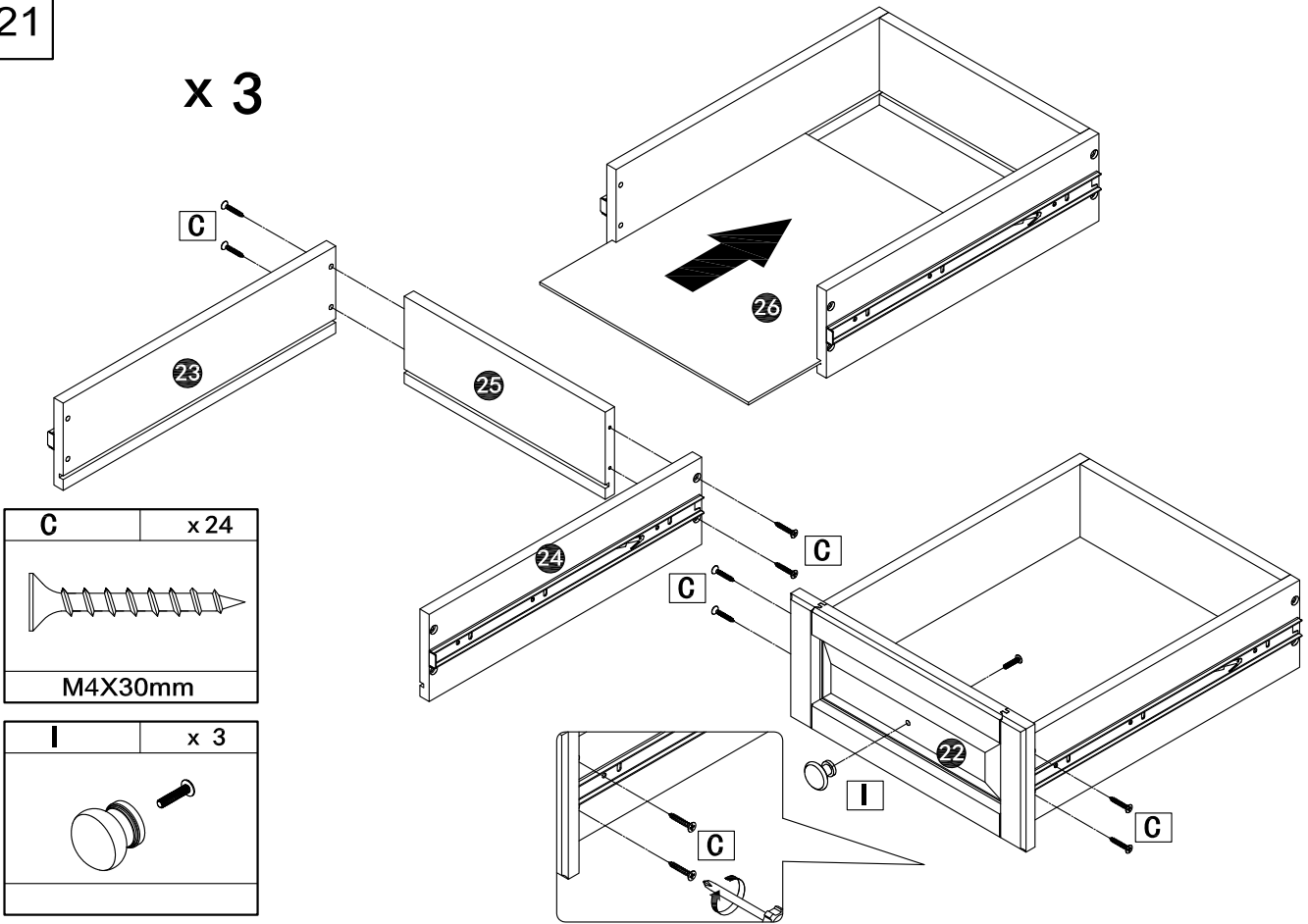


20



21

x 3



22

