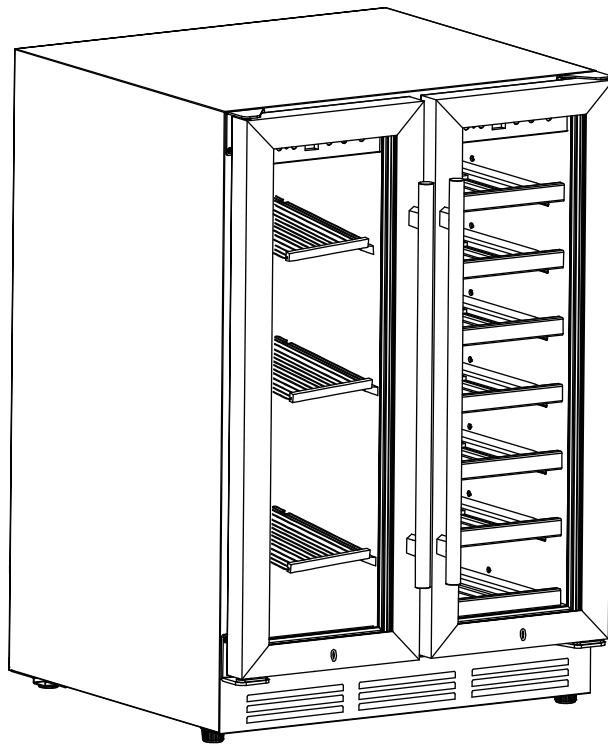


INSTRUCTION MANUAL

WINE & BEVERAGE COOLER



MODEL: YC-120-2D

SKU:BRUC-DD53

Email: after-sales-services@hotmail.com

TABLE OF CONTENTS

WARRANTY & SERVICE.....P.3

IMPORTANT SAFEGUARDSP.4

PRODUCT FEATURES.....P.6

INSTALLATION.....P.6

OPERATING THE APPLIANCEP.7

CARE AND MAINTENANCE.....P.9

TROUBLESHOOTING.....P.10

WARRANTY & SERVICE

We offer a limited 1-year warranty ("warranty period") on all of our products purchased new and unused from us with an original proof of purchase and where a defect has arisen, wholly or substantially, as a result of faulty manufacture, parts, or workmanship during the warranty period. The warranty does not apply where damage is caused by other factors, including without limitation:

- (a) normal wear and tear;
- (b) abuse, mishandling, accident, or failure to follow operating instructions;
- (c) exposure to liquid or infiltration of foreign particles;
- (d) servicing or modifications of the product other than by our company.

Our warranty covers all costs related to restoring the proven-defective product through repair or replacement of any defective part and necessary labor so that it conforms to its original specifications. A replacement product may be provided instead of repairing a defective product. Our sole obligation under this warranty is limited to such repair or replacement. A receipt indicating the purchase date is required for any claim, so please keep all receipts in a safe place. Although appreciated, the product registration is not required to activate any warranty, and product registration does not eliminate the need for the original proof of purchase. The warranty will be voided if repairs are performed by a non-authorized third party and/or if spare parts other than those provided by the Company are used. You may also arrange for service after the warranty expires, at an additional cost. These are our general terms for warranty service, but we always urge our customers to reach out to us with any issue, regardless of warranty terms. If you have an issue with our products, please contact us (after-sales-services@hotmail.com), and we will do our best to resolve it for you.

IMPORTANT SAFEGUARDS

- Plug into a grounded 3-prong outlet, do not remove the grounding prong, do not use an adapter, and do not use an extension cord.
- Read all instructions before using the wine & beverage cooler.
- Child entrapment and suffocation are not problems of the past. Junked or abandoned appliances are still dangerous.
- Before you throw away your old wine & beverage cooler, take off the door but leave the shelves in place so that children cannot easily climb inside.
- Never allow children to operate, play with, or crawl inside the appliance. Replace all panels before operating.
- It is recommended that a separate circuit be used, serving only your appliance. Use receptacles that cannot be turned off by a switch or pull chain.
- Never clean appliance parts with flammable fluids. These fumes can create a fire hazard or explosion. Do not store or use gasoline or other flammable materials or liquids in the vicinity of this or any other appliance. The fumes can create a fire hazard or explosion.
- Before proceeding with cleaning and maintenance, make sure the power cord of the unit is disconnected.
- Do not connect or disconnect the electric plug when your hands are wet.
- Unplug the appliance or disconnect the power before cleaning or servicing. Failure to do so can result in electrical shock or death.
- Do not attempt to repair or replace any part of your appliance unless it is specifically recommended in this guide. All other servicing should be referred to a qualified technician.
- Use two or more people to move and install the appliance. Failure to do so can result in back or other injury.

To ensure proper ventilation for your appliance, the front of the unit must be completely unobstructed. Choose a well-ventilated area with temperatures above 16°C (60.8 ° F) and below 32°C (89.6° F). This unit must be installed in an area protected from the elements, such as wind, rain, water spray, or drips.

- The appliance should not be located next to ovens, grills, or other sources of high heat.
- The appliance must be installed with electrical, water, and drain connections in accordance with state and local codes. A standard electrical supply, properly grounded in accordance with federal and local codes and ordinances is required.
- Do not kink or pinch the power supply cord of the appliance.
- The fuse (or circuit breaker) size should be 13 amperes.
- Never allow children to operate, play with, or crawl inside the appliance.
- Do not use solvent-based cleaning agents or abrasives on the interior. These cleaners may damage or discolor the interior.
- Do not use this apparatus for other than its intended purpose.



Before the appliance is used, it must be properly positioned and installed as described in this manual, so read the manual carefully to reduce the risk of fire, electrical shock, or injury when using the appliance.

- It is recommended that a separate circuit, serving only your appliance, be provided. Use receptacles that cannot be turned off by a switch or pull chain.
- Never clean appliance parts with flammable fluids. These fumes can create a fire hazard or explosion. Do not store or use gasoline or other flammable products or liquids in the vicinity of this or any other appliance. The fumes can create a fire hazard or explosion.
- Before proceeding with cleaning and maintenance operations, make sure the power line of the unit is disconnected.
- DO NOT use mechanical devices to defrost refrigerator. DO NOT puncture refrigerant tubing.
- To be repaired only by trained service personnel. DO NOT puncture refrigerant tubing.
- Consult repair manual / owner's guide before attempting to service this product. All safety precautions must be followed.
- To prevent a child from being entrapped, keep out of reach of children and not in the vicinity of the cooler.

⚡WARNING⚡

To reduce the risk of fire, electrical shock, or injury when using your appliance, follow these basic precautions:

- Read all instructions before using the wine & beverage cooler.
- **DANGER or WARNING:** Risk of child entrapment.
Child entrapment and suffocation are not problems of the past. Junked or abandoned appliances are still dangerous.
- Before you throw away your old wine & beverage cooler, take off the door but leave the shelves in place so that children may not easily climb inside.
- Never allow children to operate, play with, or crawl inside the appliance.
- Never clean appliance parts with flammable fluids. The fumes can create a fire hazard or explosion.
- Do not store or use gasoline or any other flammable materials and liquids in the vicinity of this or any other appliance. The fumes can create a fire hazard or explosion.

-Save these instructions-

EXTENSION CORD

Because of potential safety hazards, it is strongly recommended that you do not use an extension cord with this appliance. However, if you must use an extension cord, it is

absolutely necessary that it be a UL/CUL Listed, 3-wire grounding type appliance extension cord having a grounding type plug and outlet and that the electrical rating of the cord be 120 volts and at least 10 amperes.

1. This appliance is not intended for use by persons (including children) with reduced physical, sensory, or mental capabilities, or lack of experience and knowledge unless they have been given supervision or instruction concerning the use of the appliance by a person responsible for their safety.
2. Children should be supervised to ensure that they do not play with the appliance.
3. This appliance can be used by children aged eight years and above and persons with reduced physical, sensory, or mental capabilities or lack of experience and knowledge if they have been given supervision or instruction concerning the safe use of the appliance and understand the hazards involved. Children shall not play with the appliance. Cleaning and user maintenance shall not be made by children without supervision.
4. If the supply cord is damaged, it must be replaced by the manufacturer, its service agent, or a similarly qualified person in order to avoid any hazards.
5. Any instability of the appliance must be fixed in accordance with the instructions to avoid a hazard.
6. When positioning the appliance, ensure the supply cord is not tangled or damaged.
7. Do not locate multiple portable outlets or power supplies at the rear of the appliance.
8. Keep ventilation openings, in the appliance enclosure or in the built-in structure, clear of obstruction.
9. Do not use mechanical devices or other means to accelerate defrosting, other than those recommended by the manufacturer.
10. Do not damage the refrigerant circuit.
11. Do not use electrical appliances inside the drink storage compartments of the appliance unless they are of the type recommended by the manufacturer.
12. Do not store explosive substances such as aerosol cans with a flammable propellant in this appliance.
13. This appliance is intended to be used in household and similar applications such as offices,
 - staff kitchen areas in shops, and other work environments;
 - farmhouses and by clients in hotels, motels, and other residential-type environments;
 - bed and breakfast type environments;
 - catering and similar non-retail applications.
14. To avoid contamination of drinks, please respect the following instructions:
 - Opening the door for long periods can cause a significant increase in the temperature in the compartments of the appliance.
 - Regularly clean surfaces that can come in contact with drinks and accessible drainage systems.
 - Clean water tanks if they have not been used for 48 hours; flush the water system connected to a water supply if water has not been drawn for five days.
 - If the refrigerating appliance is left empty for long periods, switch it off, defrost, clean, dry, and leave the door open to prevent mold from developing in the appliance.



WARNING: Risk of fire / flammable materials

The coolant circuit of this unit contains the refrigerant Isobutane (R600a), a natural gas that is flammable and of high environmental compatibility. Make sure no parts of the coolant circuit get damaged during transport and installation of the appliance.

INSTALLATION INSTRUCTIONS

Before Using Your Beverage Cooler

- Remove the exterior and interior packaging.
- Check to be sure you have all of the following parts:
 - 3 removable wire shelves - Beverage Refrigerator (Left Zone)
 - 7 removable wooden shelves - Wine Refrigerator (Right Zone)
 - 2 Keys
 - Stainless Steel Handle
 - Instruction Manual
 - 2 Extra Screws for Installing the Handle

INSTALATION

Before the first use

- Remove the exterior and interior packing materials.
- It is important for the appliance to be leveled in order to work properly. You may need to adjust the feet to make it level.
- Let the appliance stand upright for approximately 24 hours before connecting it to the power source, which helps to reduce the possibility of a cooling-system malfunction from handling during transportation.
Use a soft cloth to clean the interior surface with lukewarm water.
- Door handle installation

Door handle installation

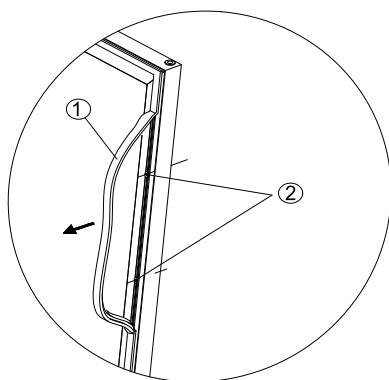


Fig:1

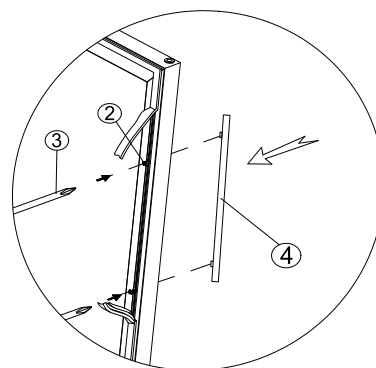


Fig:2

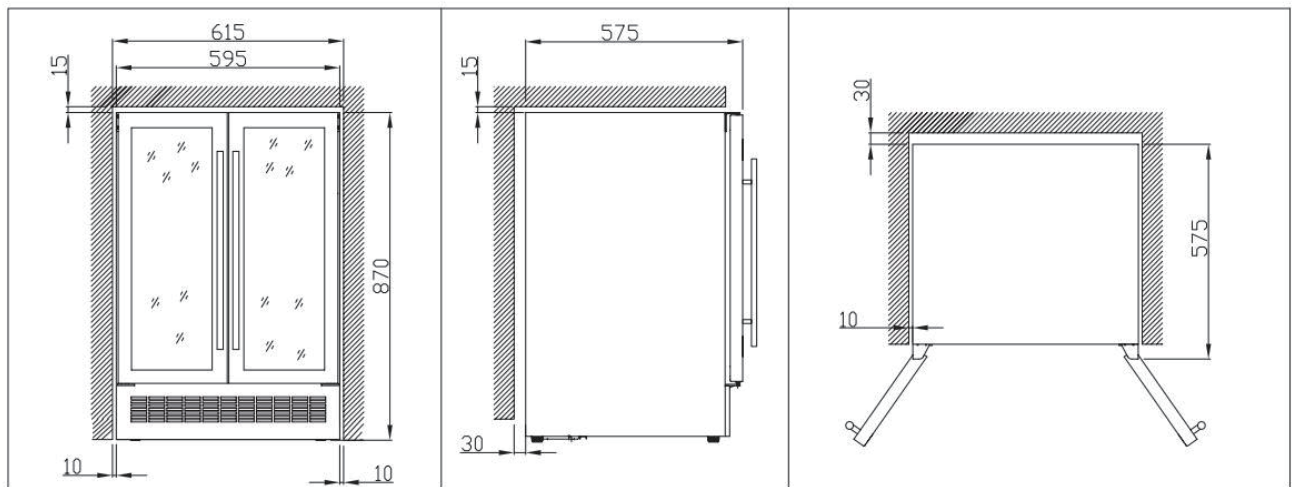
①sealing ②screws ③Phillips screwdriver ④Handle

How to install the handle :

- 1) Pull away the sealing gasket where the handle is to be installed as shown in Fig1. The gasket is easily displaced by hand. No tools are necessary.
- 2) Align the handle with the screws installed. Tighten the screws using a Phillips-head screwdriver until the handle is both flush and secured tightly against the door frame. (DO NOT over-tighten as this will cause damage to the handle assembly).
- 3) Install the sealing gasket to its original position.

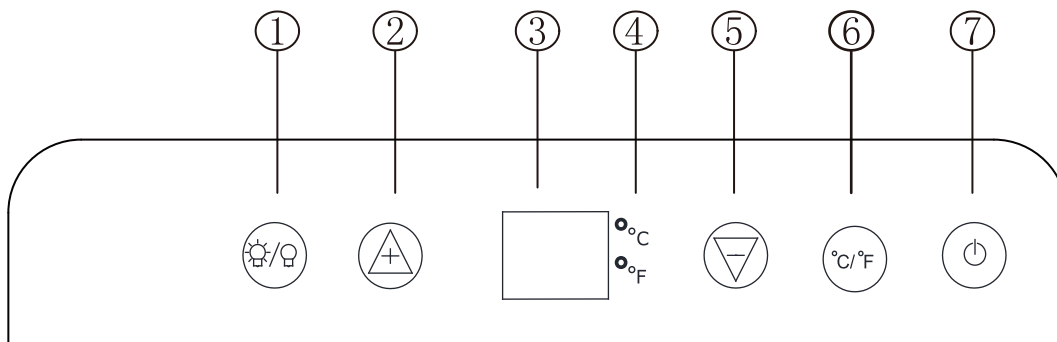
Built-in installation

These appliances are designed for both built-in or free-standing installation. For built-in installation, ensure proper service access and ventilation, allow at least ¼" (6.35mm) space on each side and at the top



OPERATING THE APPLIANCE

Control Panel



- | | |
|--|--------------------------------------|
| ① Lighting button | ⑤ Temperature down |
| ② Temperature up | ⑥ Fahrenheit & Celsius switch button |
| ③ Display window | ⑦ Power button |
| ④ Fahrenheit and Celsius indicator light | |



Power On /Off

- When the appliance is plugged into a power outlet, it powers on automatically.
- Touch the power button to turn on the appliance. Press power button for 3 seconds to turn off the appliance if needed.

Light Control

- Touch the lighting button to turn on (or turn off) the interior cool LED lighting.

Set Temperature

Touch the  or  button to increase or decrease the temperature of the selected zone. The temperature will increase 1° F or 1°C if you touch the button once; On the contrary, the temperature will decrease 1° F or 1°C if you touch the button once.

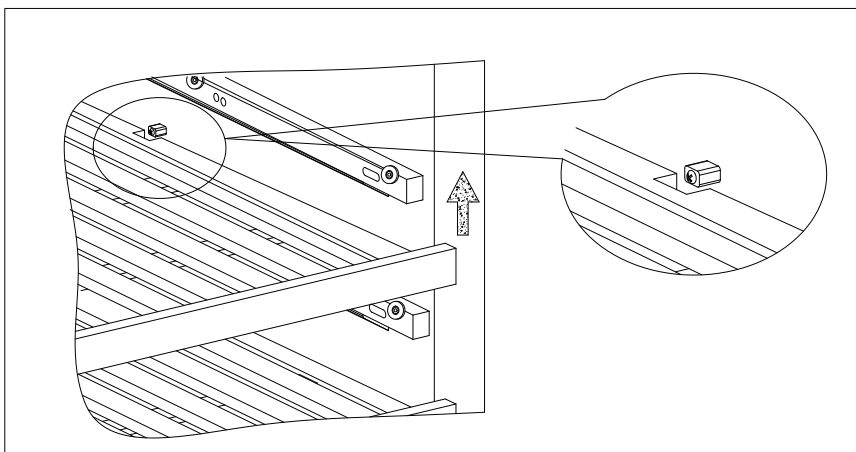
Cooling Zone	Temperature Range
Beverage Refrigerator (Left Zone)	2°C-10°C_(35°F-50°F)
Wine Refrigerator (Right Zone)	5°C-18°C_(41°F-64°F)

Note:

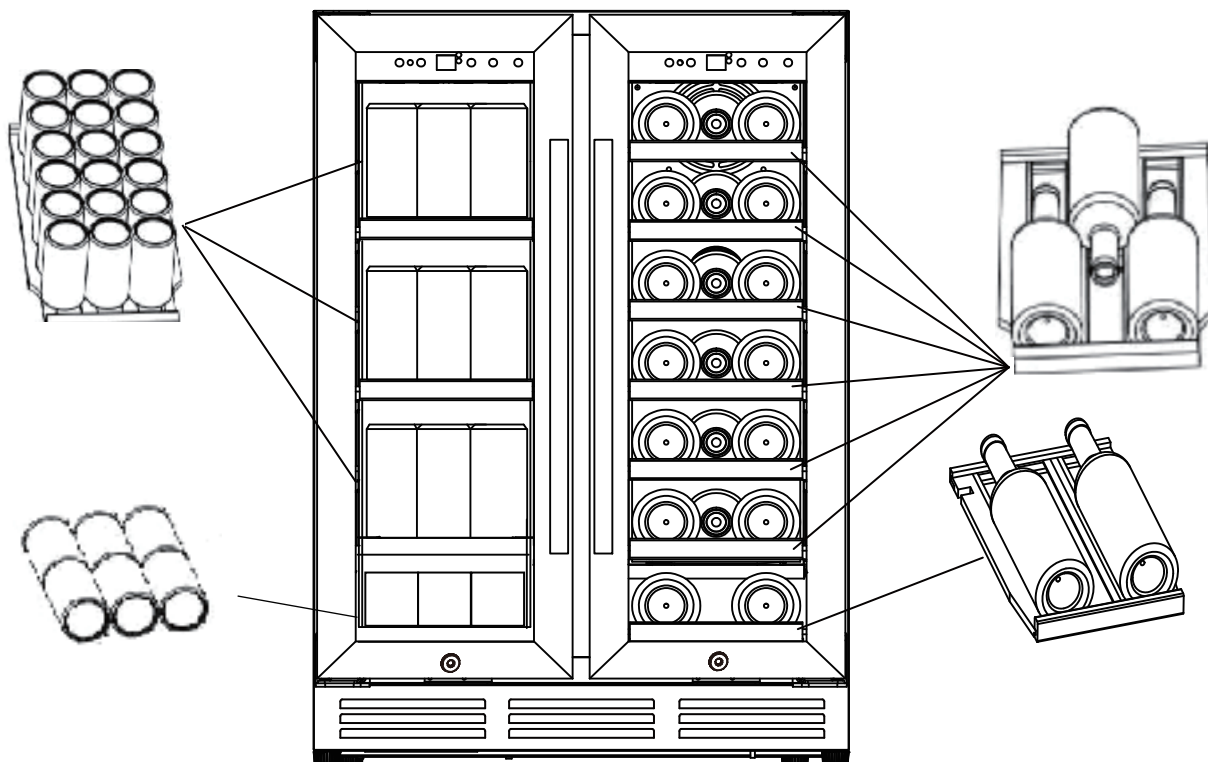
- If the appliance is powered off suddenly, please turn on the appliance 3-5 minutes later. The temperature setting has an automatic memory function.
- This wine & beverage cooler is suitable for an ambient temperature of 5-32 °C/41-89.6°F. If the temperature is higher or lower, the performance may be affected.
- If it is the first time using this appliance, it is normal that the preset temperature and display temperatures are different. Everything will be back to normal after a few hours of operation.

Removing a Shelf

- To avoid damage to the door seal, please open the door fully when you slide out the shelves.
- For your convenience when removing wine or beverages, you can pull out the shelf by 1/3. Our product is designed with a shelf holder to prevent the shelf from completely pulling out and falling off the cabinet.
- If you need to remove a shelf, you can pull out the shelf to the position where the notch of the shelf is exactly under the plastic post and then lift it up and out. (See figure below)



Storage



While bottles and cans may vary in size and dimension, the actual number of bottles and cans you may be able to store may vary from the amount quoted.

CARE AND MAINTENANCE

Cleaning your wine & beverage cooler

- Turn off the power, unplug the appliance, and remove all items including shelves.
- Wash the inside surfaces with warm water and a soft cloth.
- Wash the shelves with a mild detergent solution.
- Wring excess water out of the sponge or cloth when cleaning the area around the controls, and any electrical parts.
- Wash the outside cabinet with warm water and mild liquid detergent. Rinse well and wipe dry with a clean soft cloth. Do not use steel wool or a steel brush on the stainless steel. These will contaminate the stainless steel with steel particles, and rusting may occur.

Power failure

Most power failures are corrected within a few hours and should not affect the temperature of your appliance if you minimize the number of times the door is opened. If the power will be off for a longer period, you need to take the proper steps to protect your contents.

Moving your wine & beverage cooler

- Remove all items (bottles)
- Tape down securely all loose items (shelves) inside your appliance.
- Turn the adjustable leg up to the base to avoid damage.
- Tape the door shut. Be sure the appliance stays secure in the upright position during transportation. If you absolutely need to transport the chiller horizontally, transport the chiller on its back (door on top). Also protect outside of appliance with a blanket, or similar item.

Energy saving tips

The wine chiller should be located in the coolest area of the room, away from heat-producing appliances and out of direct sunlight.

TROUBLESHOOTING GUIDE

You can solve many common wine & beverage cooler problems easily, saving you the cost of a possible service call. Try the suggestions below to see if you can solve the problem before calling for service.

PROBLEM	POSSIBLE CAUSE
Wine & beverage cooler does not operate.	Not plugged in. The appliance is turned off. The circuit breaker tripped or a blown fuse.
Wine & beverage cooler is not cold enough.	External environment may require a higher setting. The door is opened too often. The door is not closed completely. The door gasket does not seal properly.
The compressor turns on and off frequently.	The room temperature is hotter than normal. A lot of bottles have been added to the cooler. The door is opened too often. The door is not closed completely. The temperature control is not set correctly. The door gasket does not seal properly.
The light does not work	Not plugged in. The circuit breaker tripped or a blown fuse. The light button is "OFF".
Vibrations.	The chiller is not leveled. The bottles are vibrating. There is an object under the cooler.
The cooler seems to make too much noise.	The flow of refrigerant is normal. The circulation of the refrigeration may cause noise. The cooler is not level.
The door will not close properly.	The cooler is not level. The door was reversed and not properly installed. The gasket is dirty. The shelves are out of position.

Licensors: EUHOMY