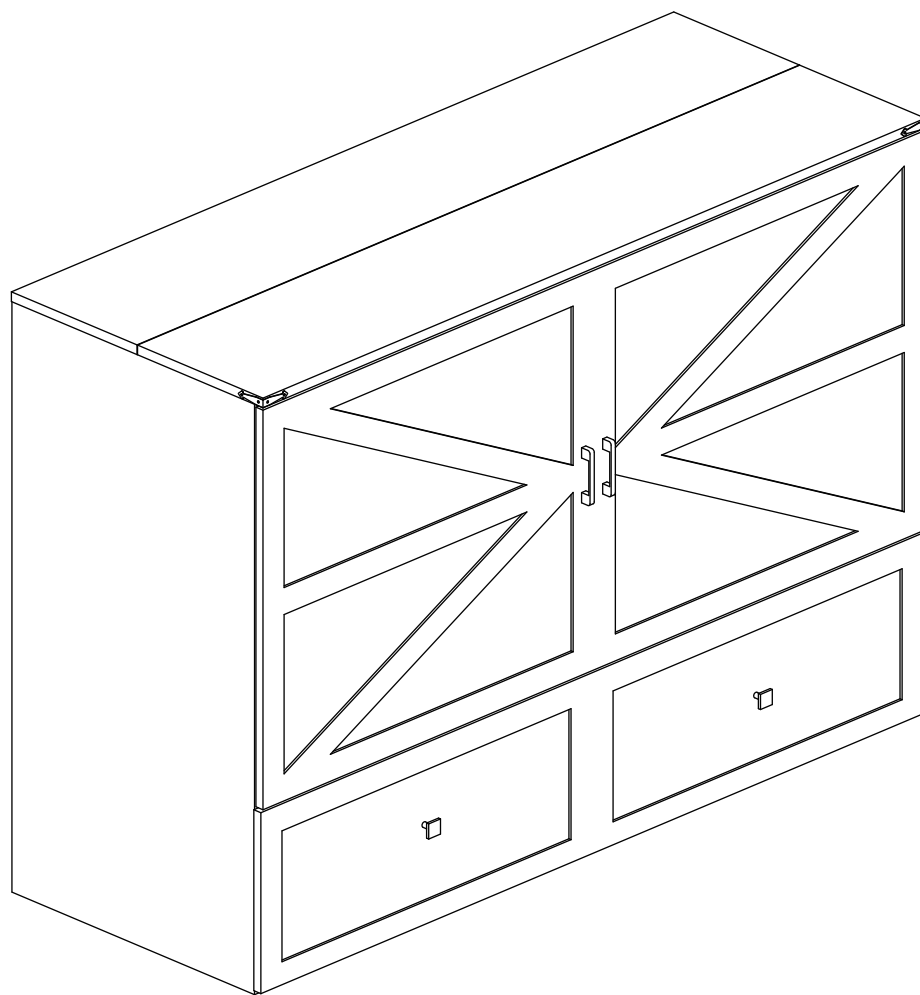


Multi-functional Bed

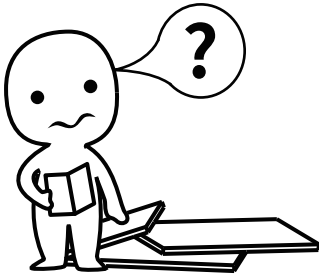
Assembly Instructions - Please keep for future reference



Dimensions

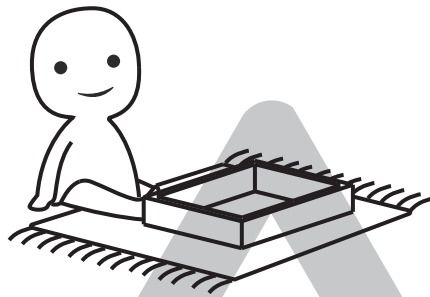
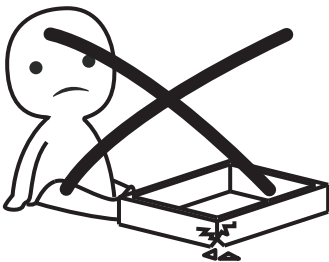
Width - 61.9inch
Depth - 23.5 inch
Height - 43.8 inch

Important – Please read these instructions fully before starting assembly



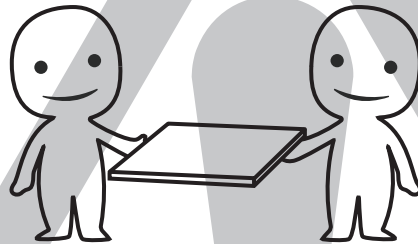
IMPORTANT INFORMATION!

please read the entire manual before starting to assemble and/or using this product. follow the manual thoroughly and keep it for further reference.



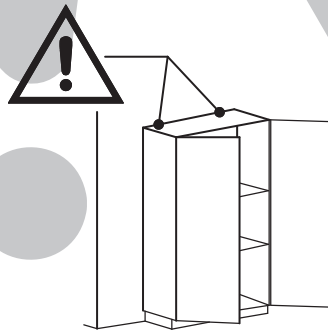
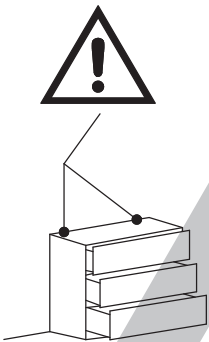
AVOID SCRATCHES!

In order to avoid scratching this furniture should be assembled on a soft layer- could be a rug.



IMPROVE EFFICIENCY !

Try to find a partner to install with you, which can speed up the installation efficiency and shorten the time.



ANTI-TOPPLE WARNING !

Overtured furniture can cause serious or fatal crush injuries. To prevent tipping over, be sure to use the wall attachment, if not included with this product. Please purchase the wall attachment that fit your wall. If unsure, seek professional advice. Please read and follow each step of the instructions carefully.



Safety and Care Advice

Important – Please read these instructions fully before starting assembly

- Check you have all the components and tools listed on the following pages.
- Remove all fittings from the plastic bags and separate them into their groups.
- Keep children and animals away from the work area, small parts could choke if swallowed.
- Make sure you have enough space to layout the parts before starting.
- During assembly do not stand or put weight on the product, this could cause damage.
- Assemble the item as close to its final position (in the same room) as possible.
- Assemble on a soft level surface to avoid damaging the unit or your floor.
- Parts of the assembly will be easier with 2 people.



power drill is set on a low torque setting.

- To reduce the likelihood of damaging your product please ensure that your

Care and maintenance

- Only clean using a damp cloth and mild detergent, do not use bleach or abrasive cleaners.
- From time to time check that there are no loose screws on this unit.
- This product should not be discarded with household waste. Take to your local authority waste disposal centre.

Handy Hints

- Assemble all parts and bolts loosely during assembly, only once the product is complete should you fully tighten the bolts
- Regularly check and ensure that all bolts and fittings are tightend properly .

WARNING In order to help prevent overturning – please follow these instructions

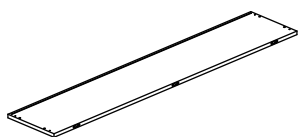
To help prevent product toppling over please follow the below steps:-

Use the anti tip stap or wall fixing method provided (if applicable)
Do not allow children to climb or hang on the furniture
Do not open more than one drawer at a time
Do not place heavy items in the top drawers
Do not place heavy items on top of the furniture, unless the furniture has been designed for this purpose

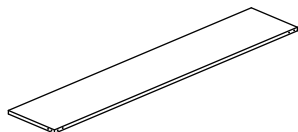
Please note that only the anti tip strap is provided.
You will need to provide wall plugs and screws applicable for your wall type

Componets - Panels

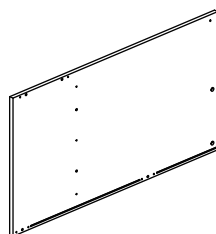
Please check you have all the panels listed below



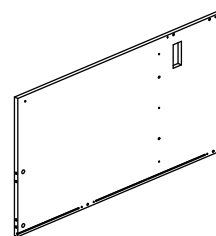
1 (1572*298*18mm x1)



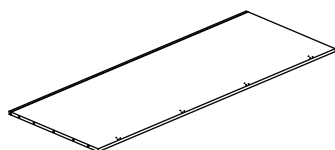
2 (1572*298*18mm x1)



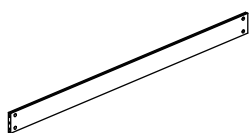
3 (1090*574*15mm x1)



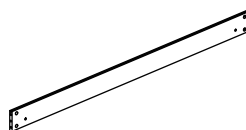
4 (1090*574*15mm x1)



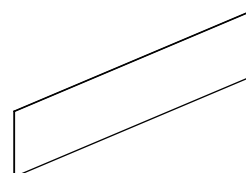
5 (1540*575*15mm x1)



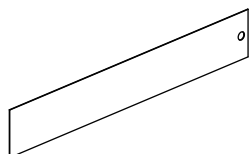
6 (1541*100*15mm x1)



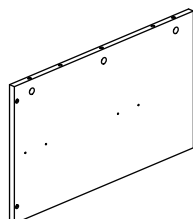
7 (1541*100*15mm x1)



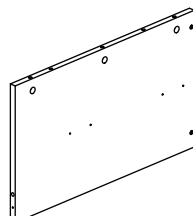
8 (1548*330*5mm x2)



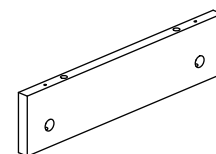
9 (1550*238*5mm x1)



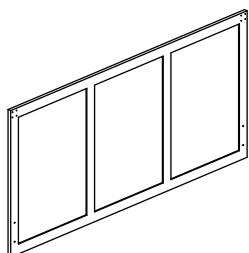
10 (552*330*15mm x1)



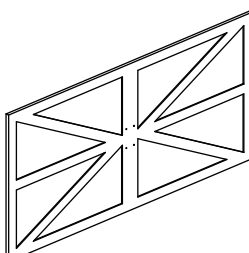
11 (552*330*15mm x1)



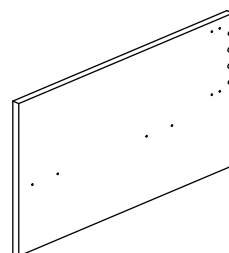
12 (330*80*15mm x2)



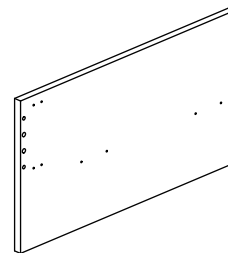
13 (1530*740*17mm x1)



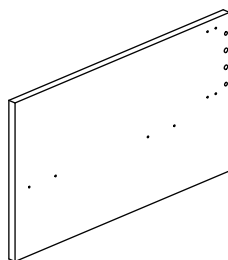
14 (1573*733*17mm x1)



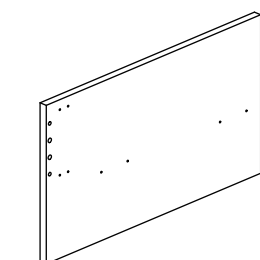
15 (540*300*15mm x1)



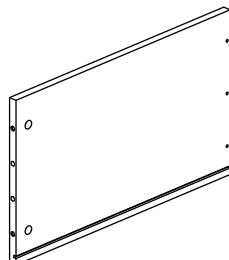
16 (540*300*15mm x1)



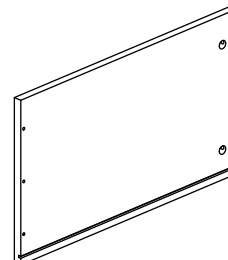
17 (522*298*15mm x1)



18 (522*298*15mm x1)



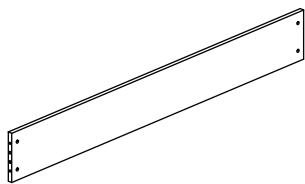
19 (500*298*15mm x1)



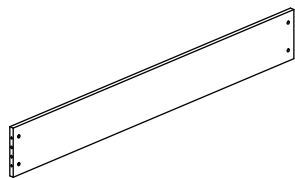
20 (500*298*15mm x1)

Componets - Panels

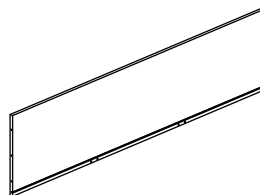
Please check you have all the panels listed below



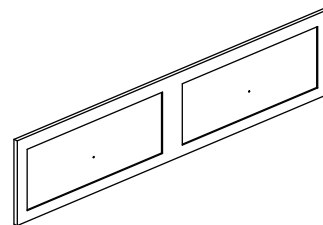
21 (1298*170*15mm x1)



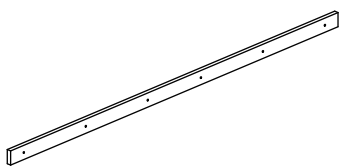
22 (1239*170*15mm x1)



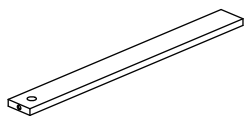
23 (1184*298*12mm x1)



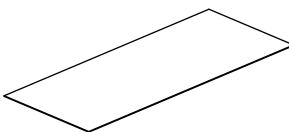
24 (1572*337*17mm x1)



25 (1181*40*12mm x1)



26 (488*50*15mm x2)

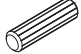


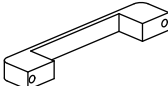
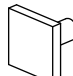

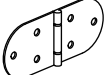
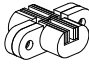
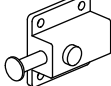
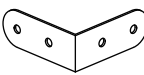
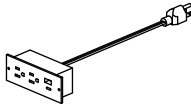

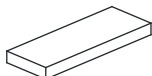
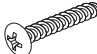
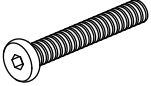

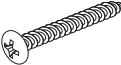
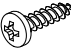
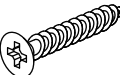
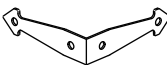


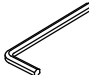
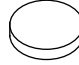
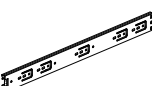
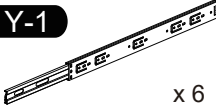
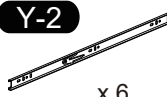



27 (1195*495*3mm x1)

Componets - Fittings

Please check you have all the fittings listed below

Note: The quantities below are the correct amount to complete the assembly. In some cases more fittings may be supplied are required.

A 6*30mm Wooden Dowel x 38 	B 6*35mm Cam Bolt x 34 	C Cam Lock x 34 
D x 4 	E x 2 	F x 12 
G x 8 	H x 3 	I x 2 
J x 8 	K x 1 	L x 14 
M x 8 	N 4*20mm Screw x 6 	O 6*50 mm Bolt x 8 
P x 8 	Q 4*40mm Screw x 16 	R 4*18mm Screw x 24 
S 3.5*30mm Screw x 12 	T x 2 	U 4*14mm Screw x 130 
V 3*14mm Screw x 2 	W x 1 	X x 4 
Y x 6 	Y-1 x 6 	Y-2 x 6 
		Z x 2 

Tools required



Phillips screwdriver
(medium & large)

Ruler - Use this ruler to help correctly identify the screws

0 5 10 15 20 25 30 35 40 45 50 55 60 65 70 75 80 85 90 95 100 105 110 115 120 125 130 135 140 145 150 155 160 165 170

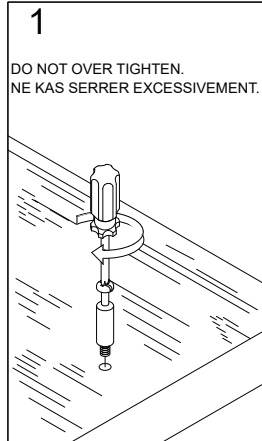


The screws length is measured from the head to the point (30mm screw shown).

Using Camlocks

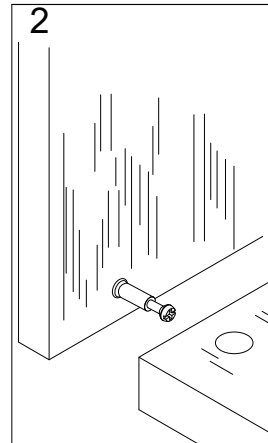
Step 1

Connect the male camlock as directed in the assembly instructions using a screwdriver.



Step 2

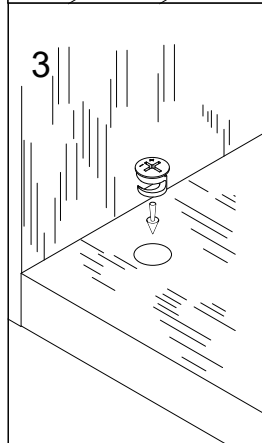
Push the male camlock into the entry hole.



Step 3

Insert the female camlock as shown in the instructions.

Note: ensure that the arrow on the top of the camlock points towards the entry hole for the male camlock.

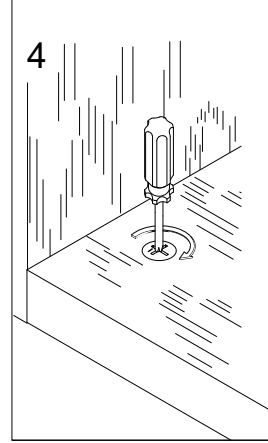


Step 4

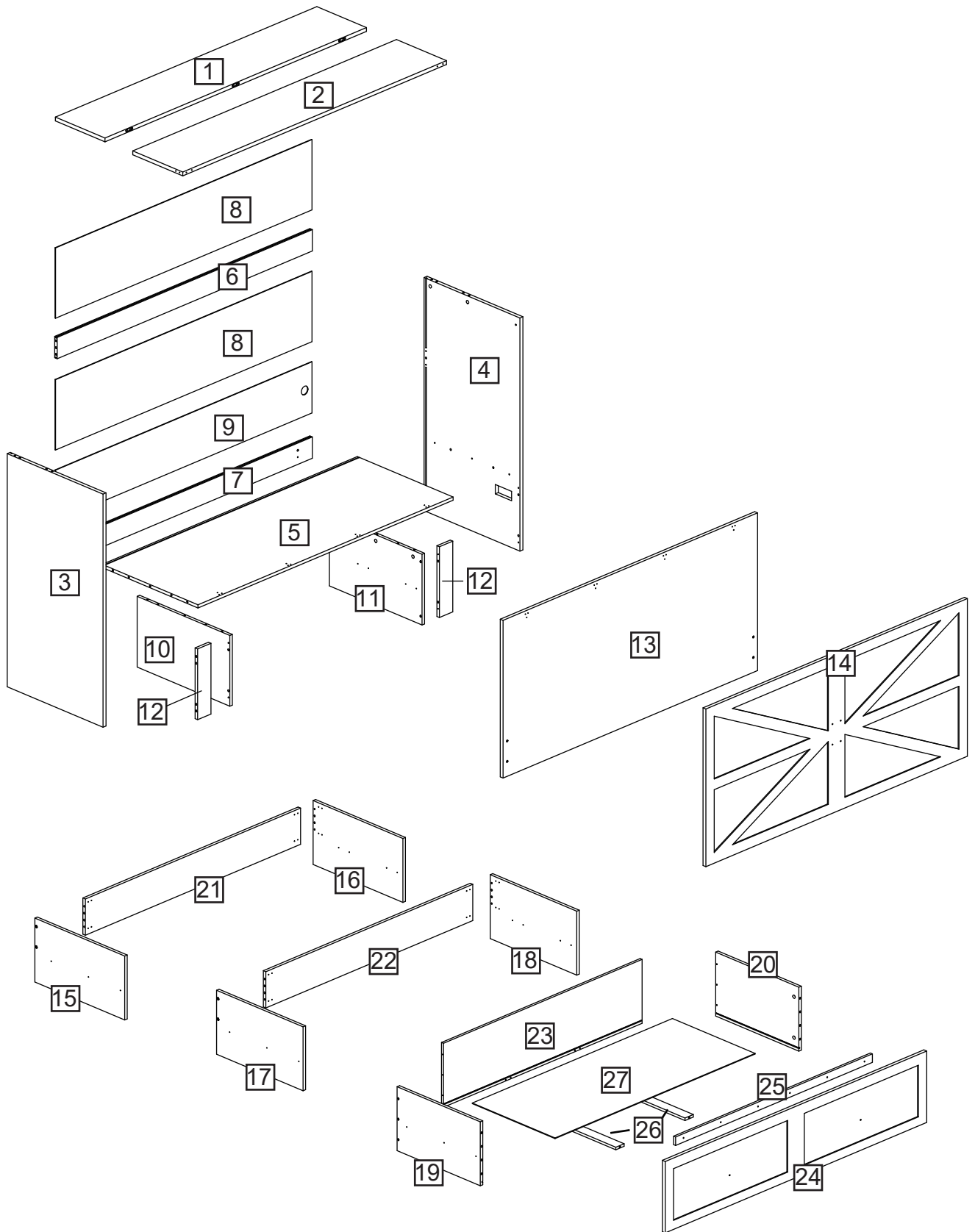
Turn the female camlock clockwise with a screwdriver.

You should feel a click when the camlock is locked in place.

The joint is now secure.

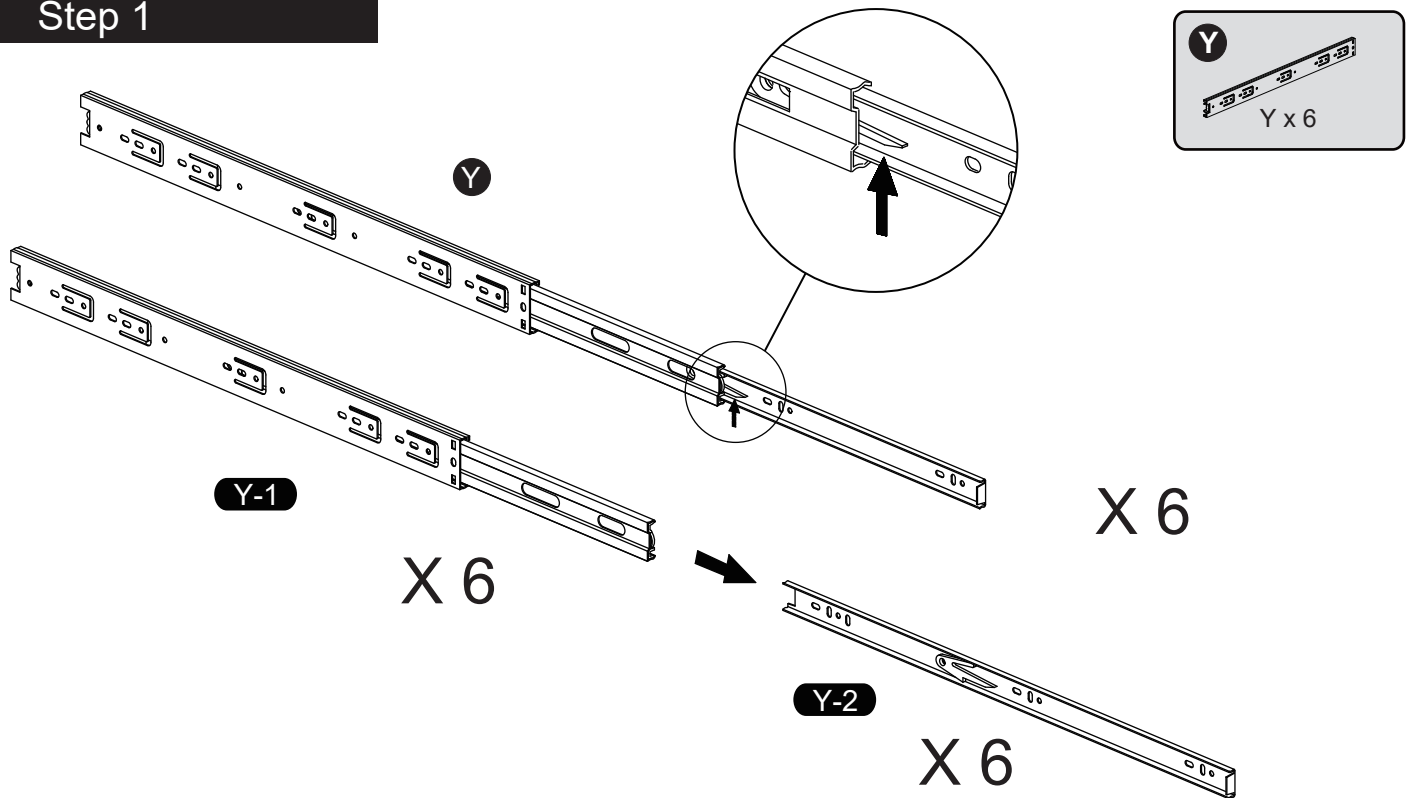


Assembly Instructions

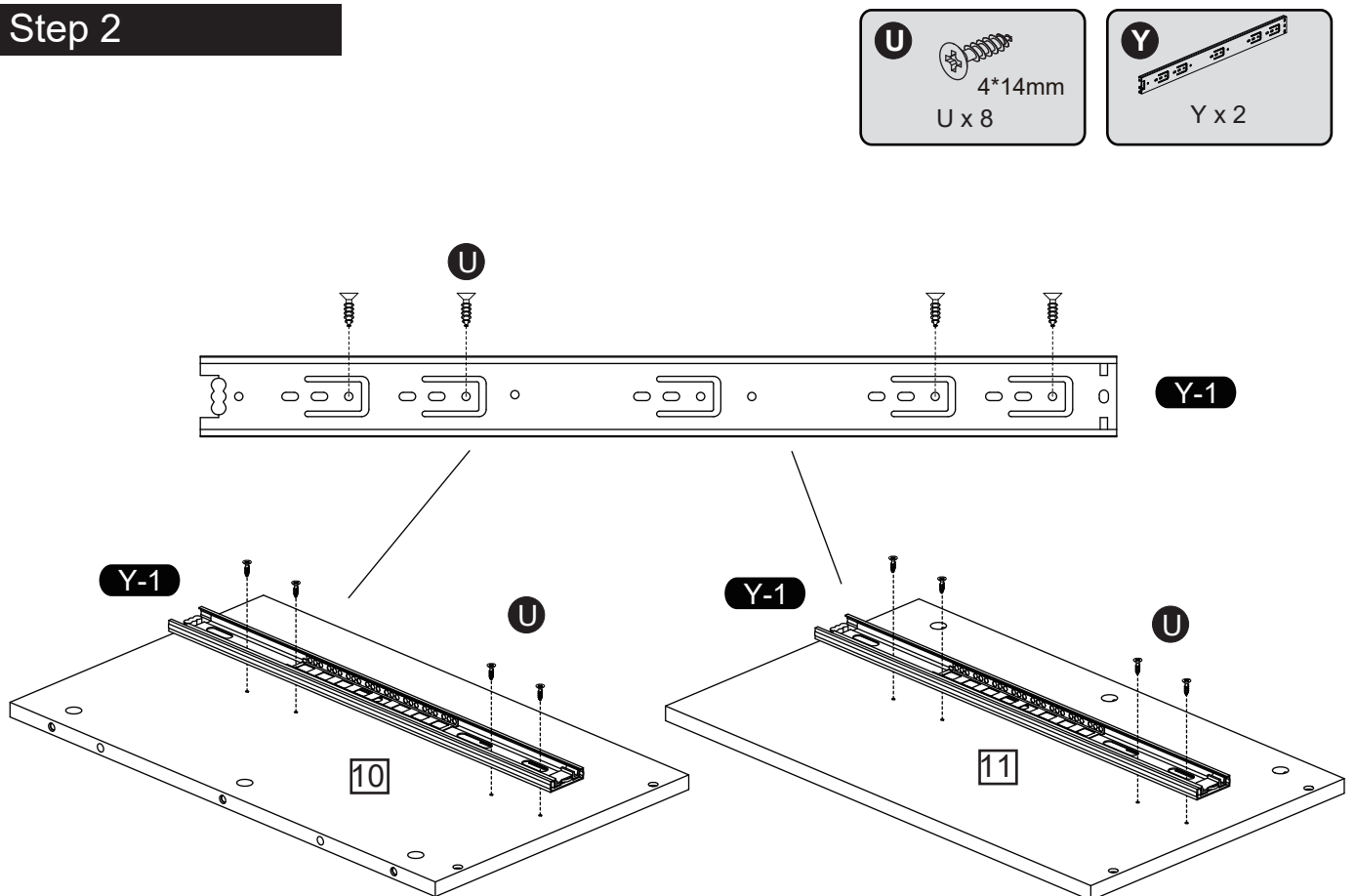


Assembly Instructions

Step 1

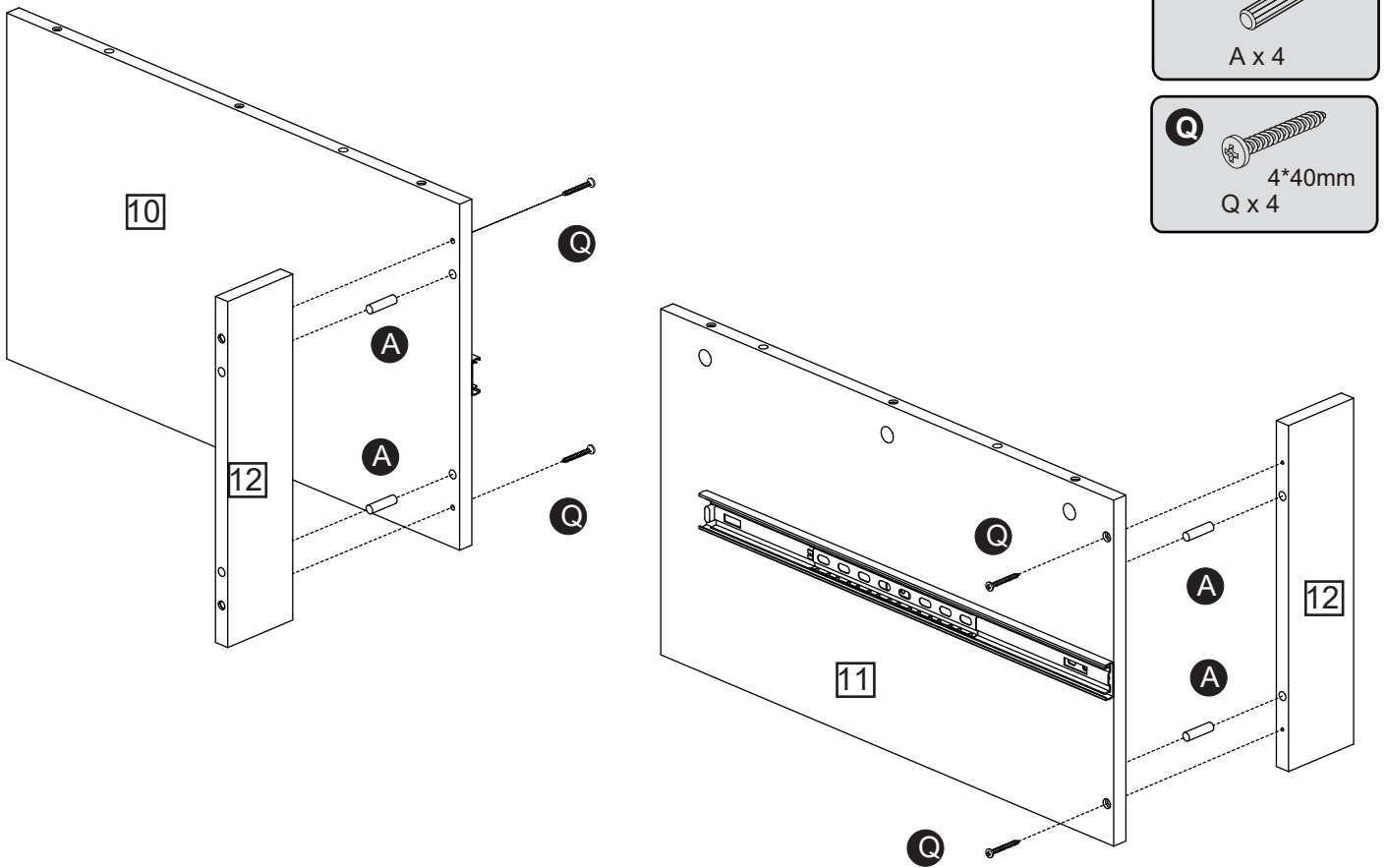


Step 2



Assembly Instructions

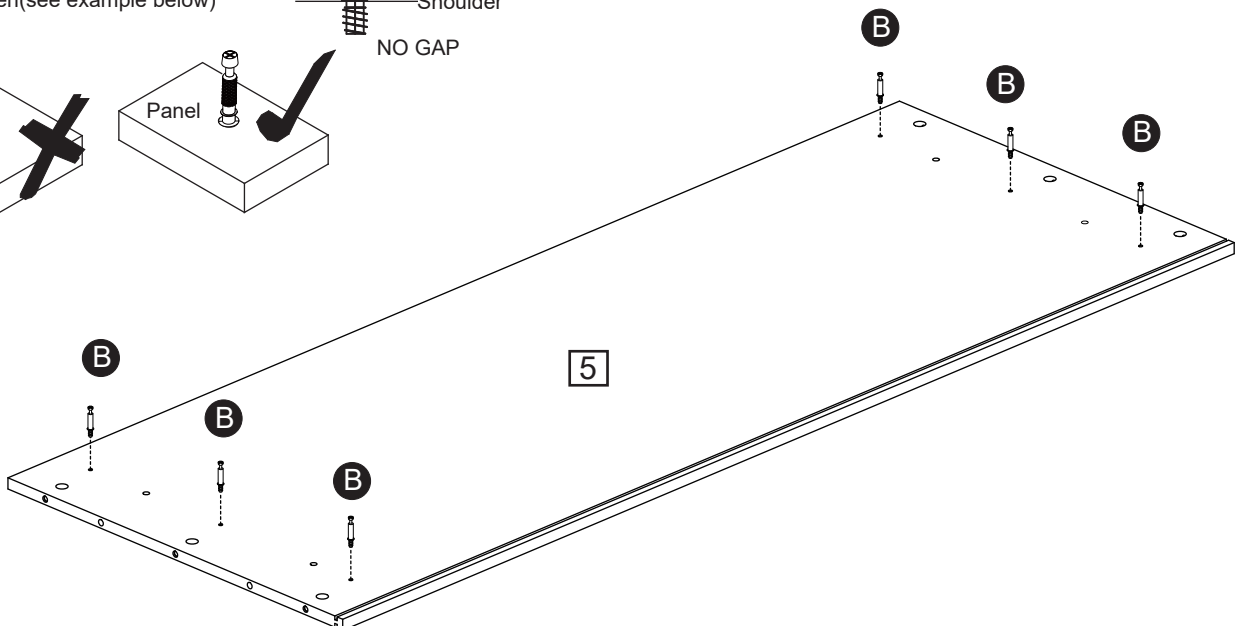
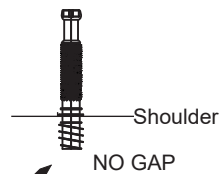
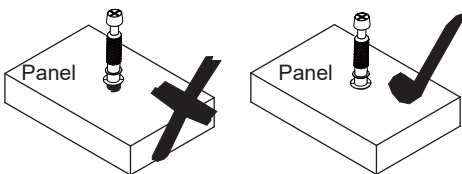
Step 3



Step 4

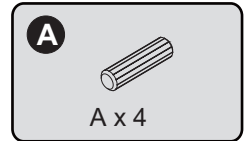
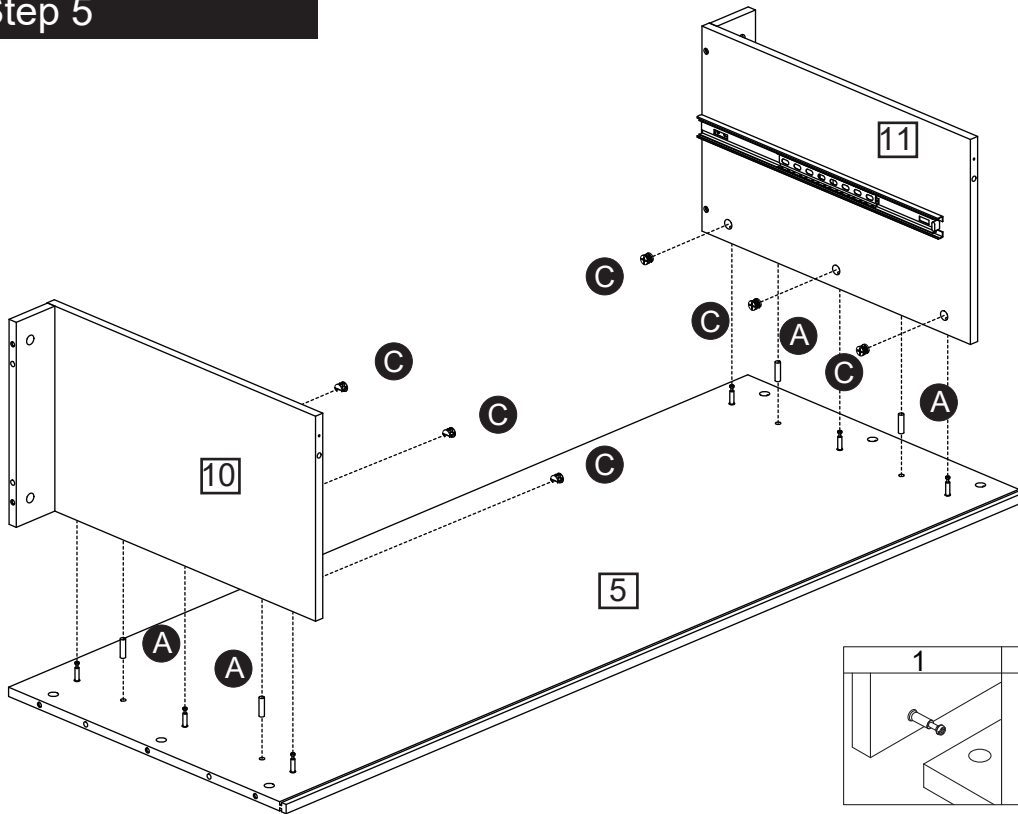
CAM-LOCK

Tighten until shoulder is flush with panel. Do not overtighten or undertighten (see example below)

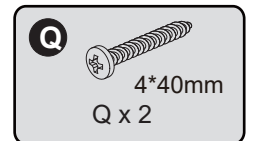
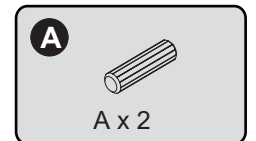
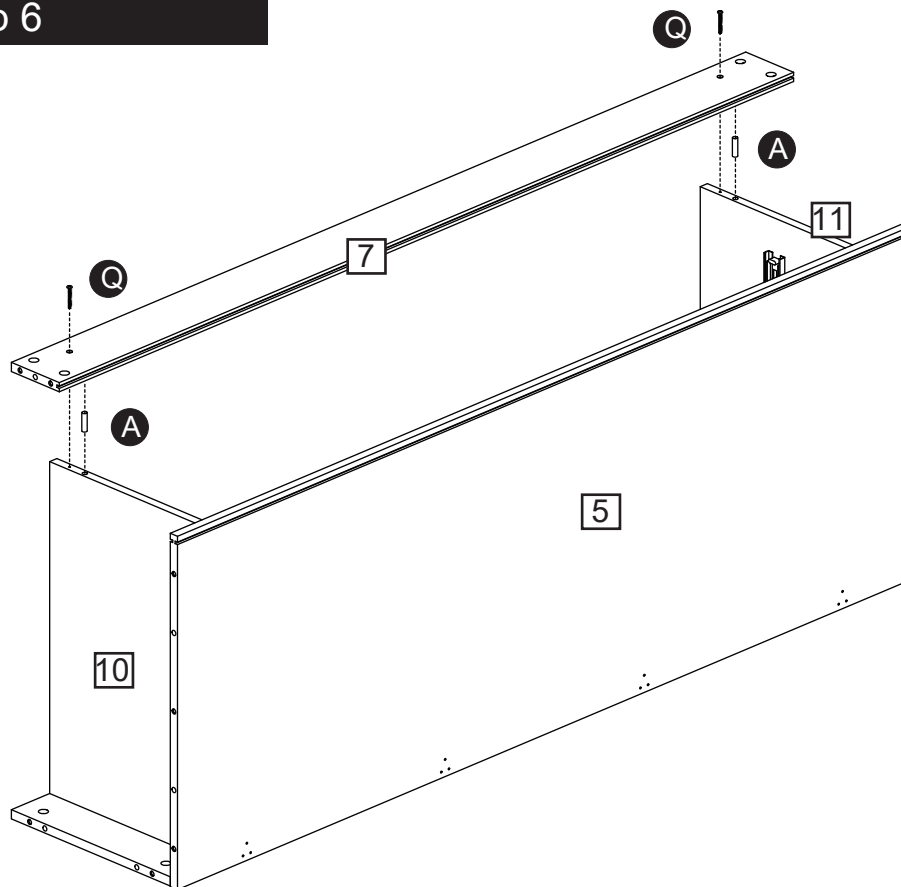


Assembly Instructions

Step 5



Step 6

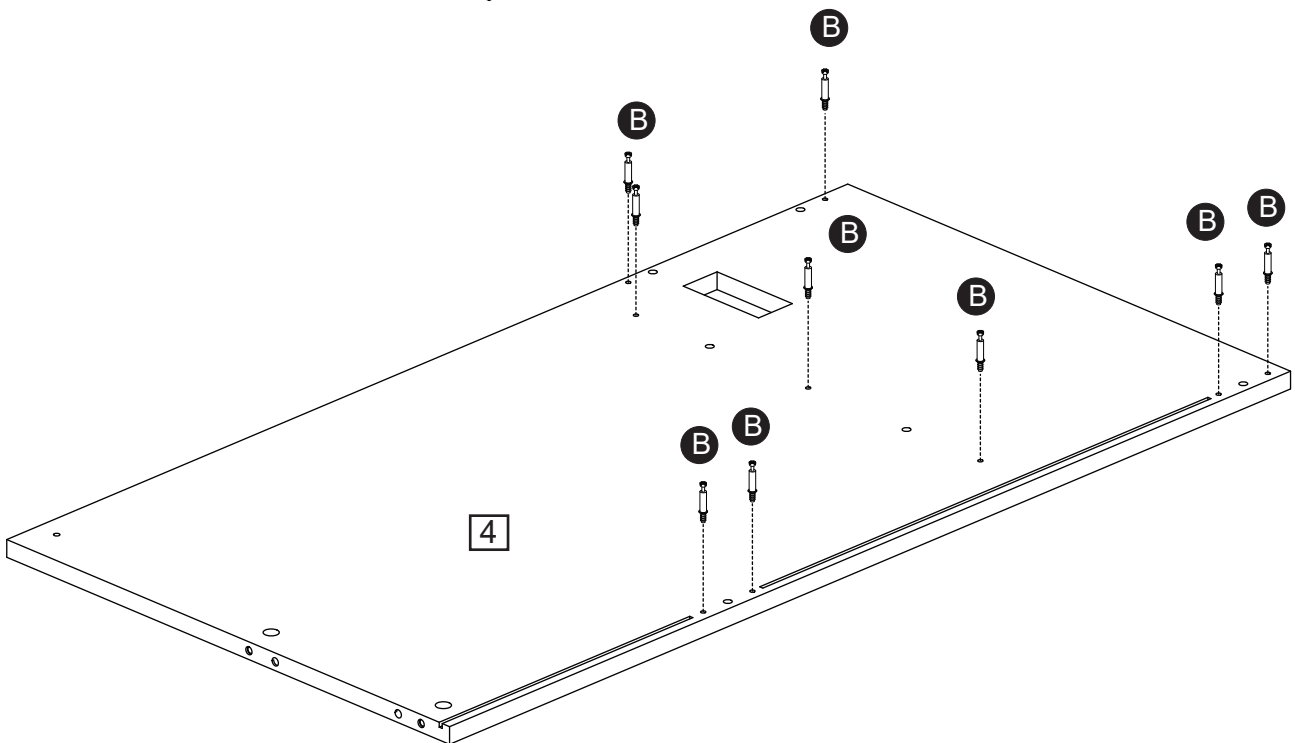
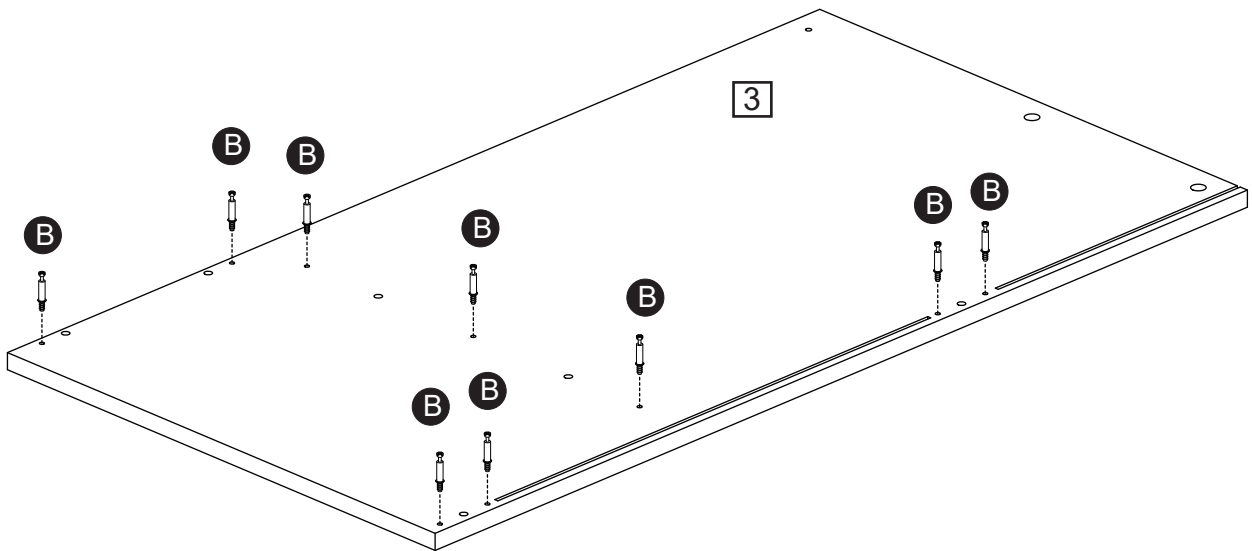
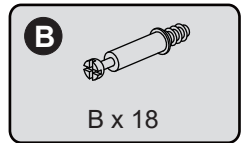
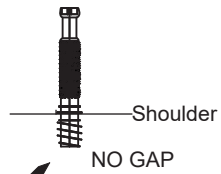
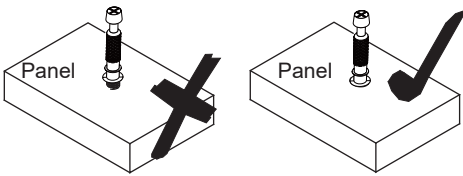


Assembly Instructions

Step 7

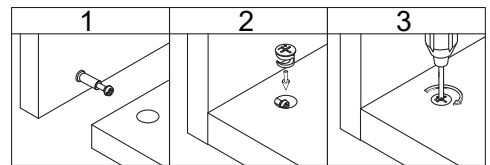
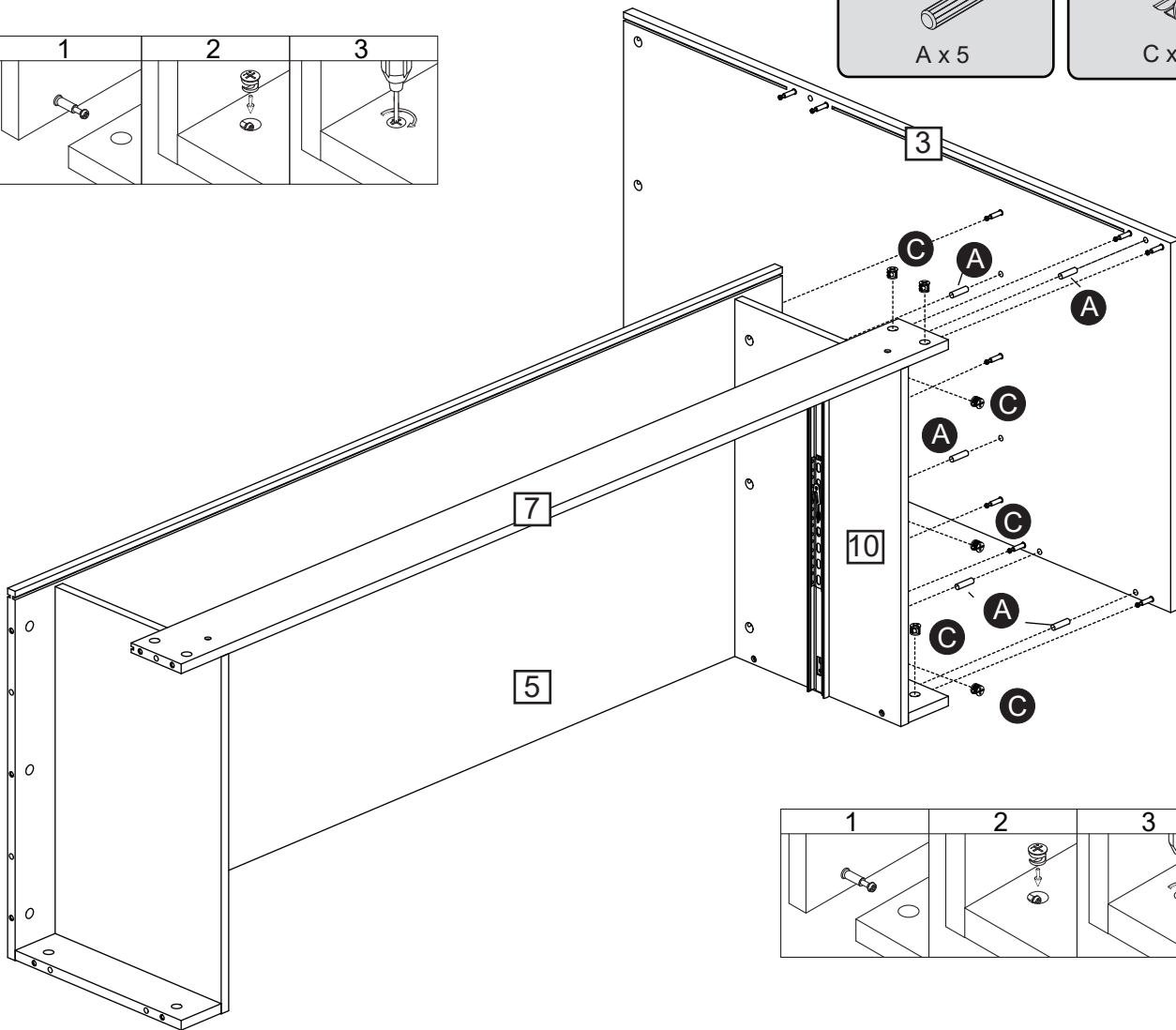
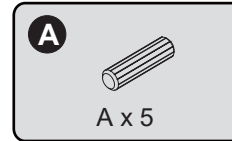
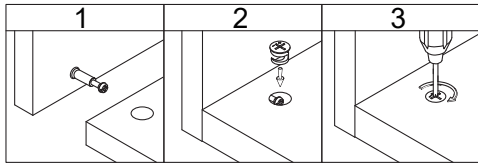
CAM-LOCK

Tighten until shoulder is flush with panel. Do not overtighten or undertighten (see example below)

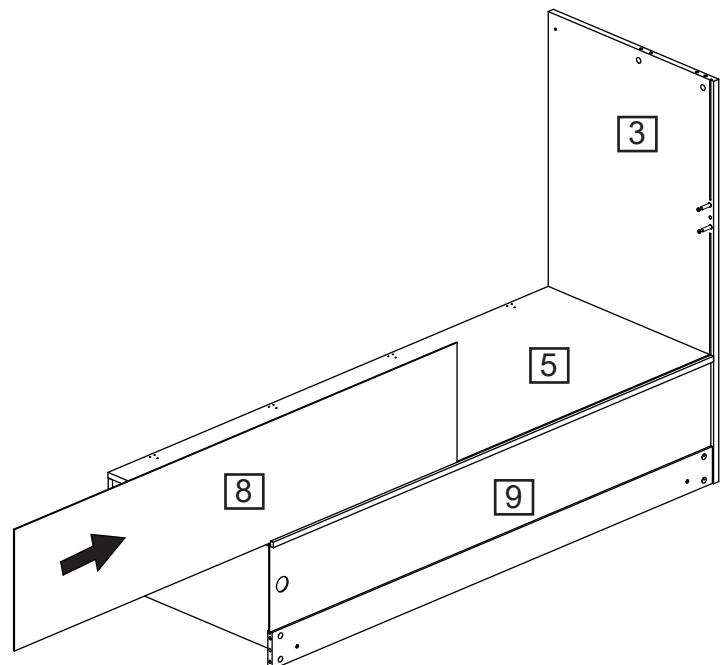
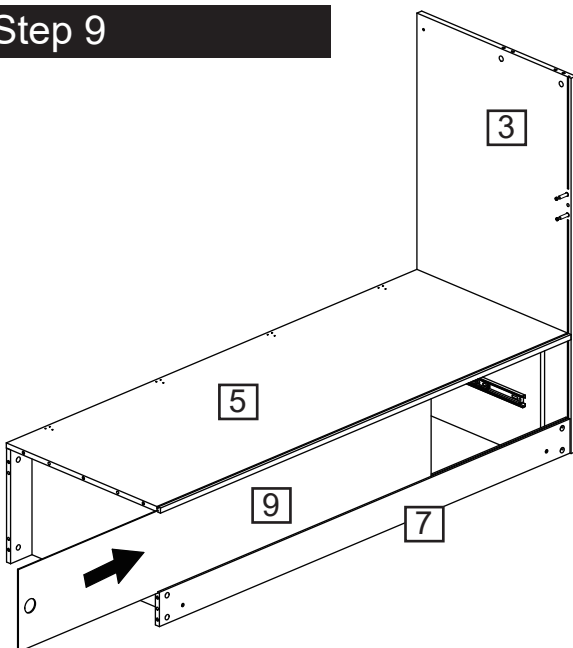


Assembly Instructions

Step 8

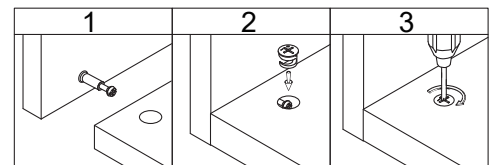
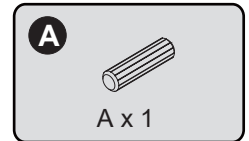
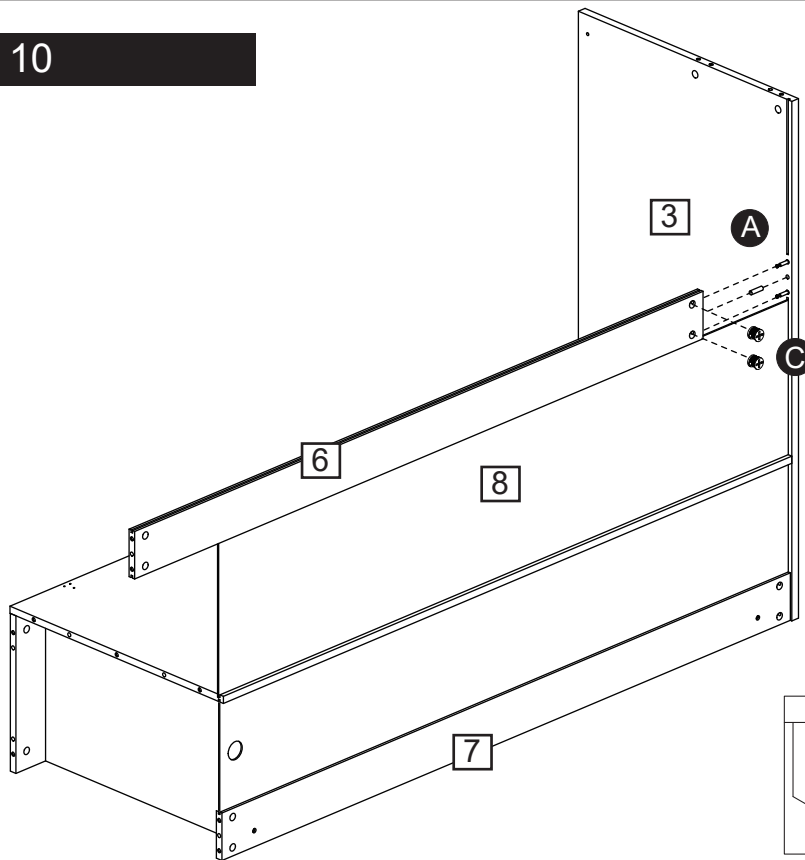


Step 9



Assembly Instructions

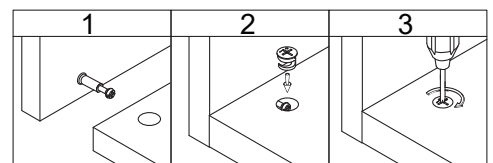
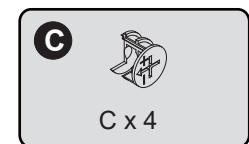
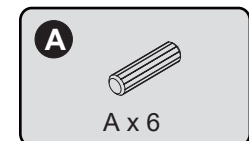
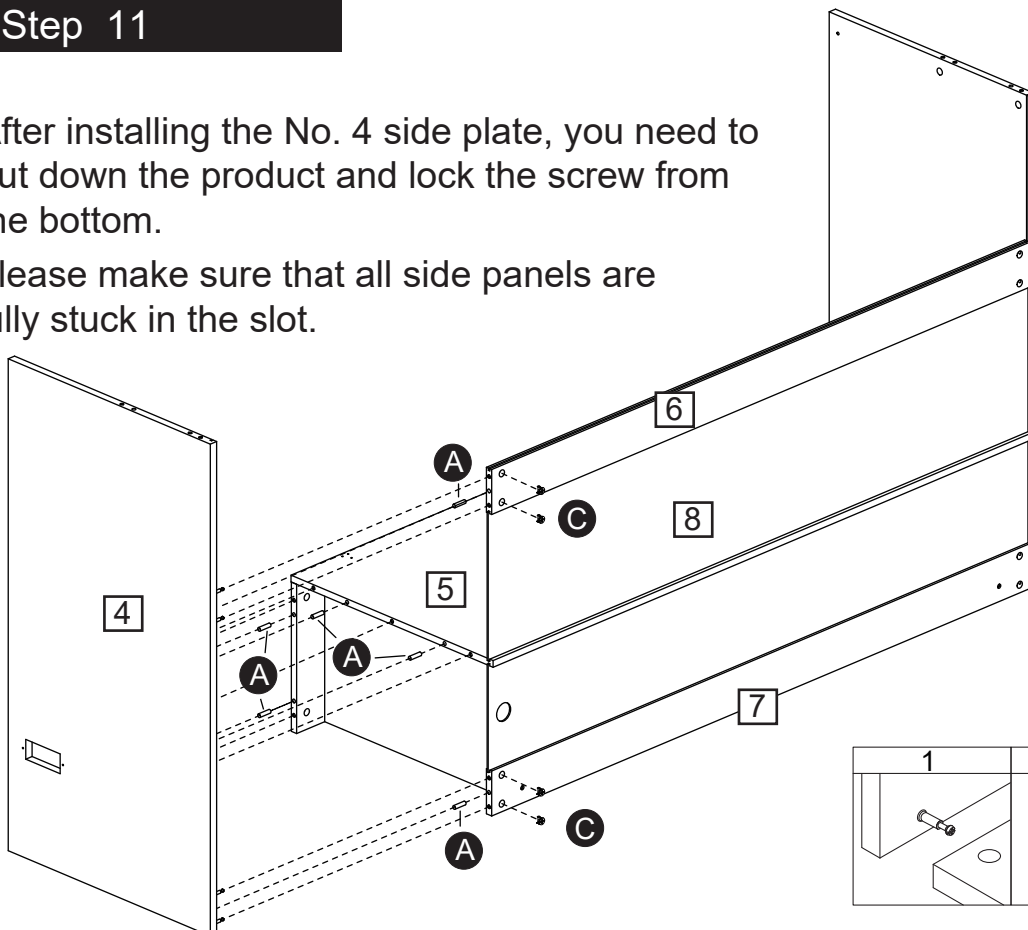
Step 10



Step 11

After installing the No. 4 side plate, you need to put down the product and lock the screw from the bottom.

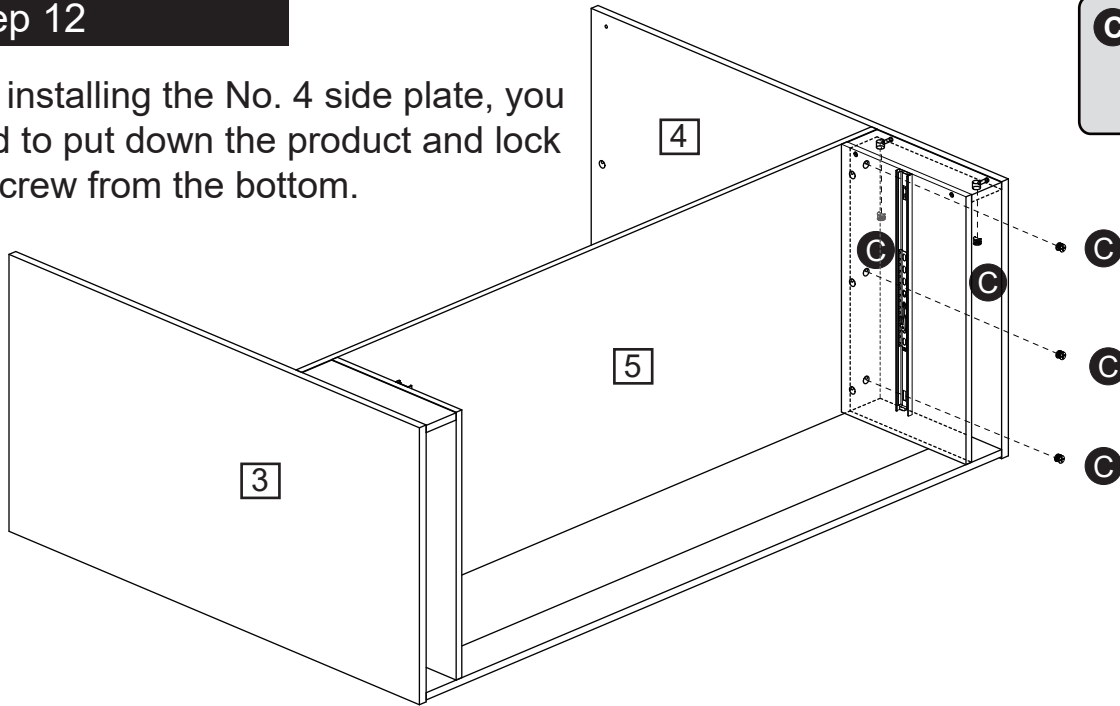
Please make sure that all side panels are fully stuck in the slot.



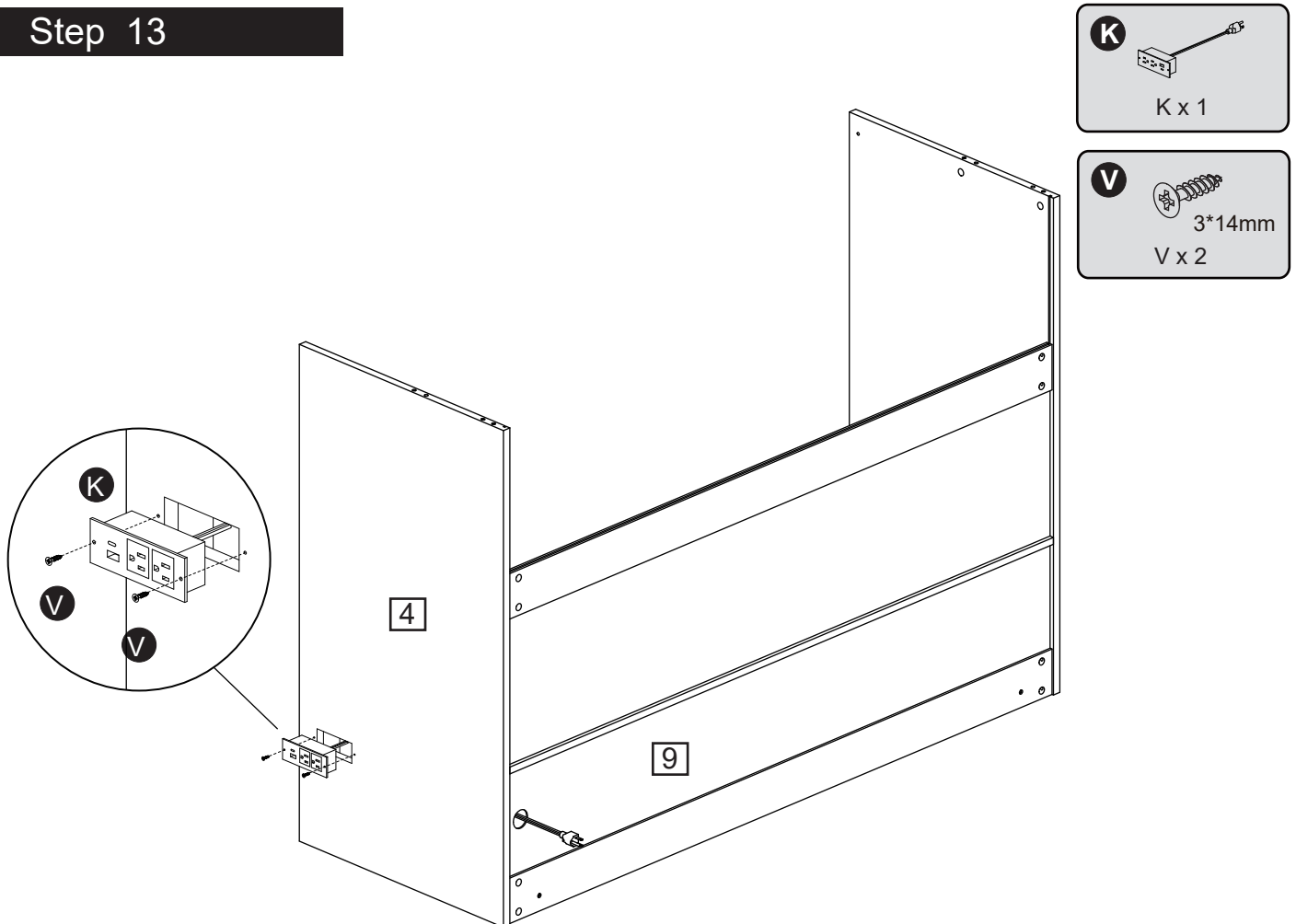
Assembly Instructions

Step 12

After installing the No. 4 side plate, you need to put down the product and lock the screw from the bottom.

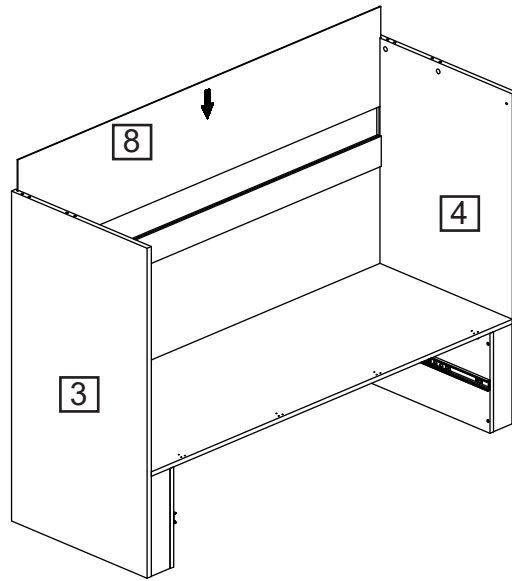


Step 13



Assembly Instructions

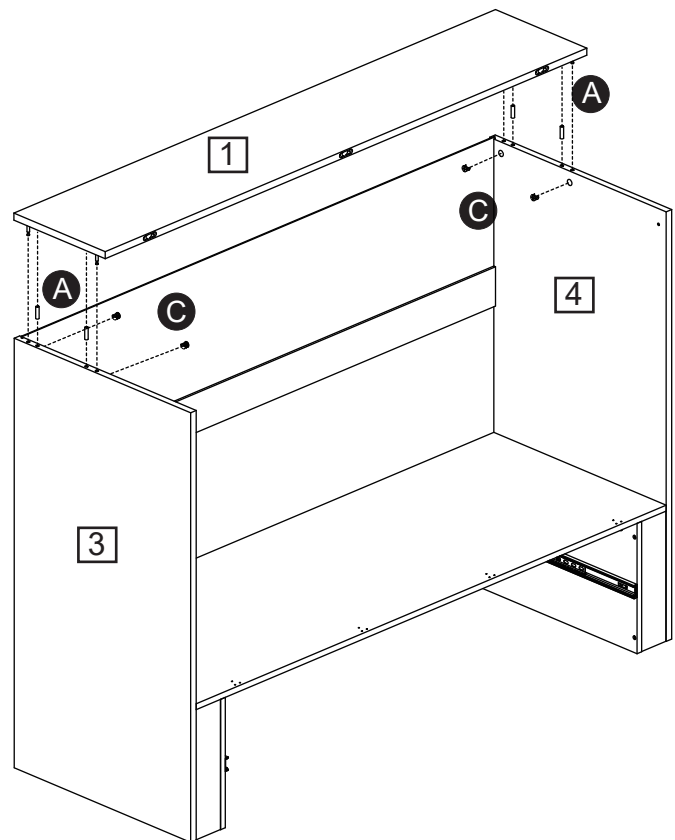
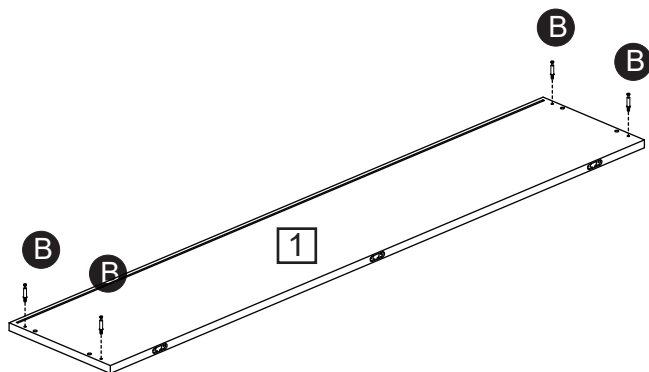
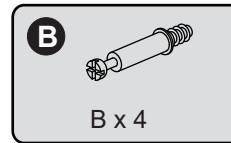
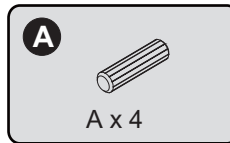
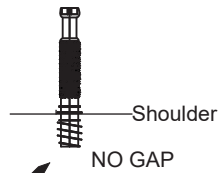
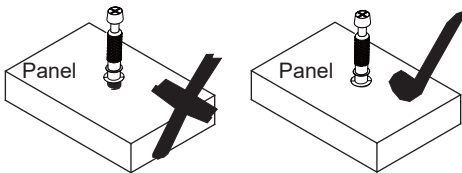
Step 14



Step 15

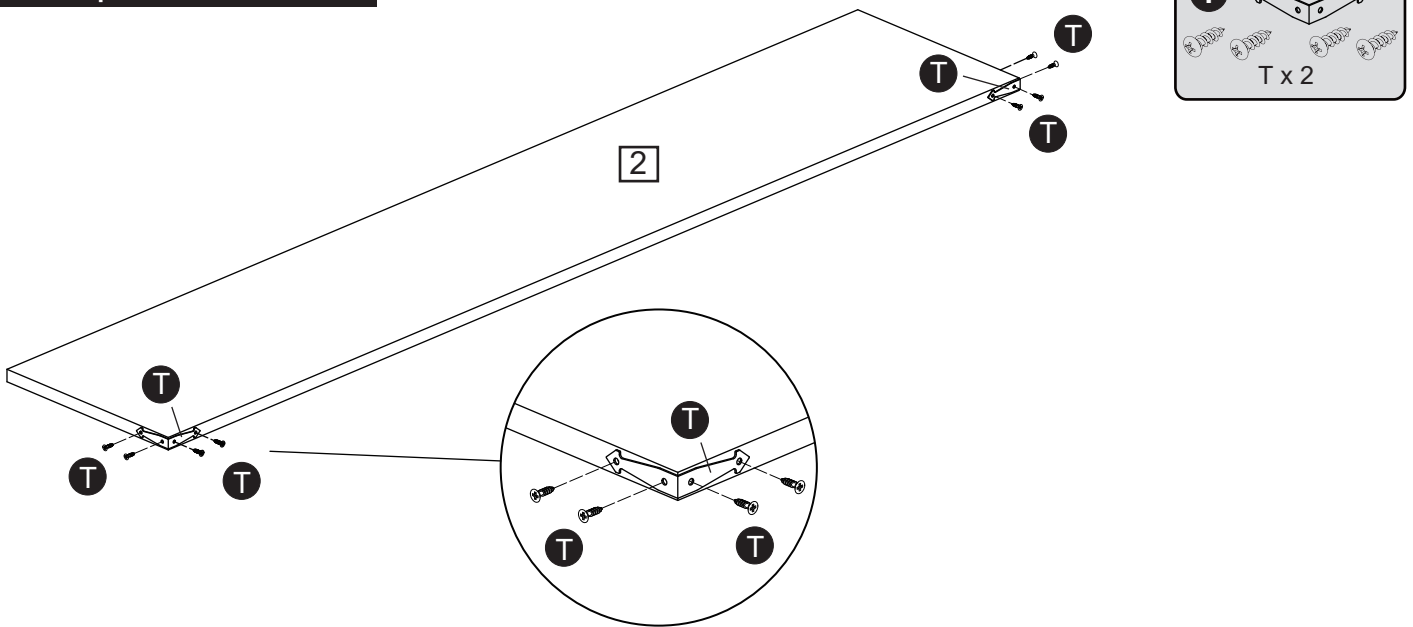
CAM-LOCK

Tighten until shoulder is flush with panel. Do not overtighten or undertighten (see example below)

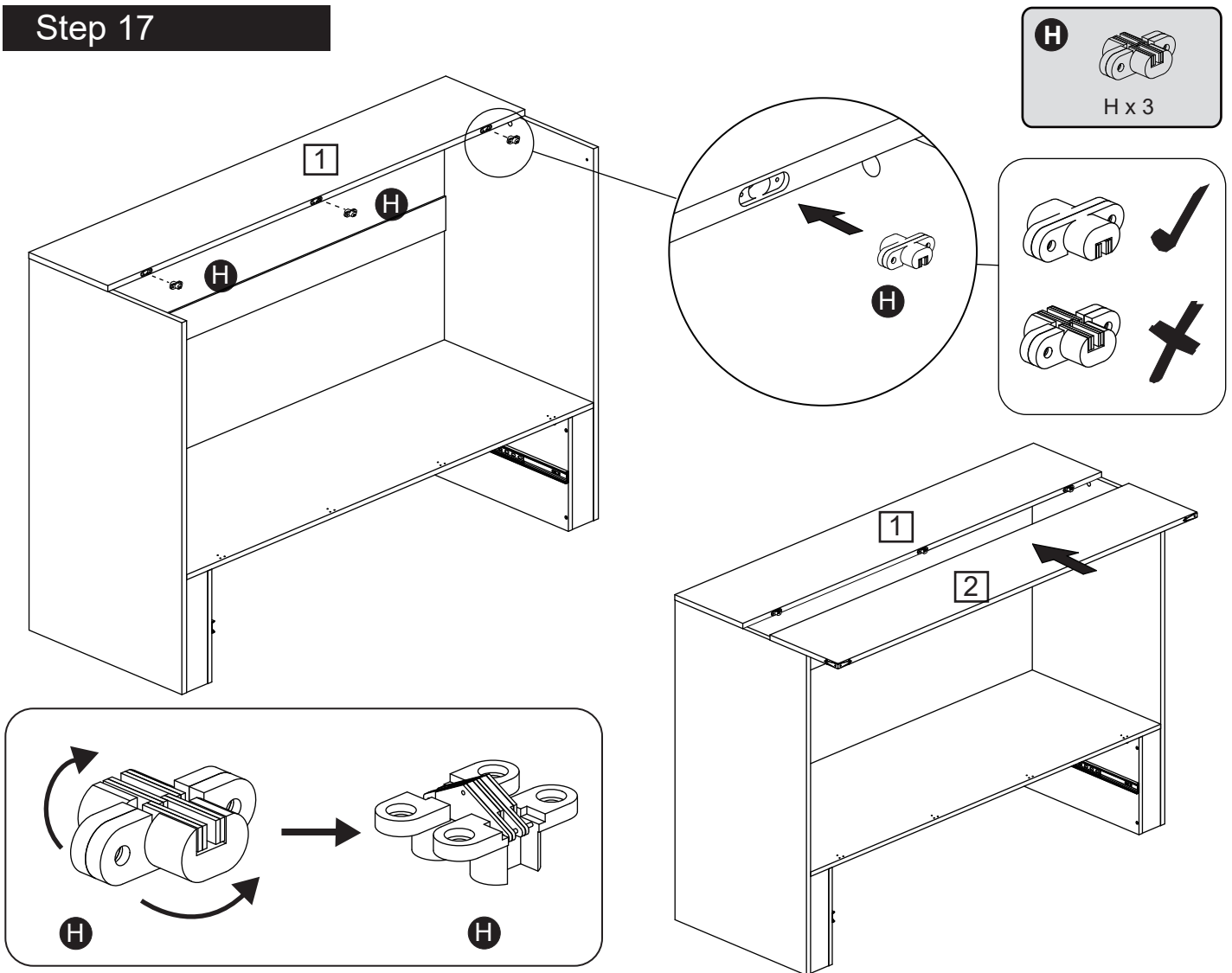


Assembly Instructions

Step 16

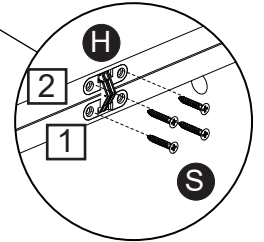
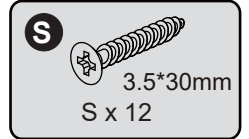
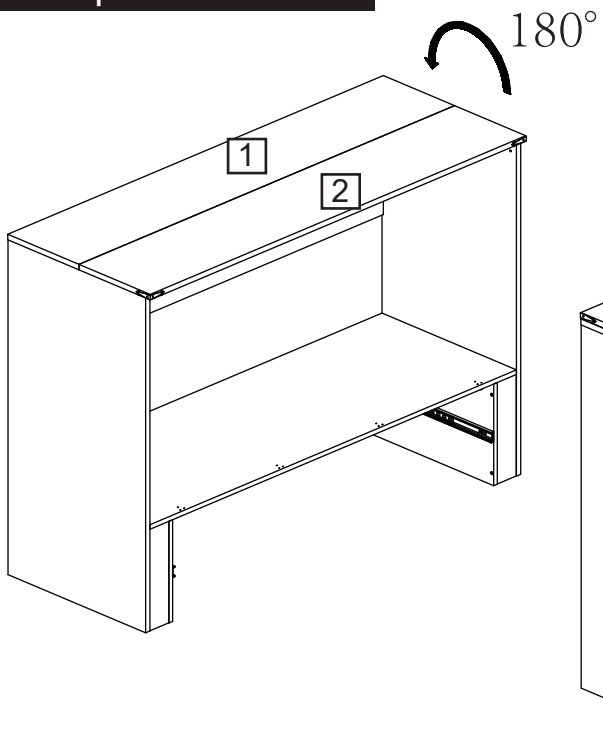


Step 17

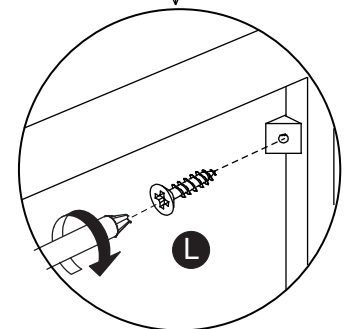
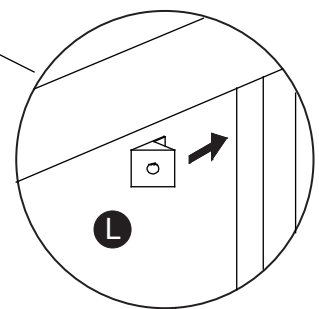
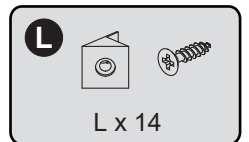
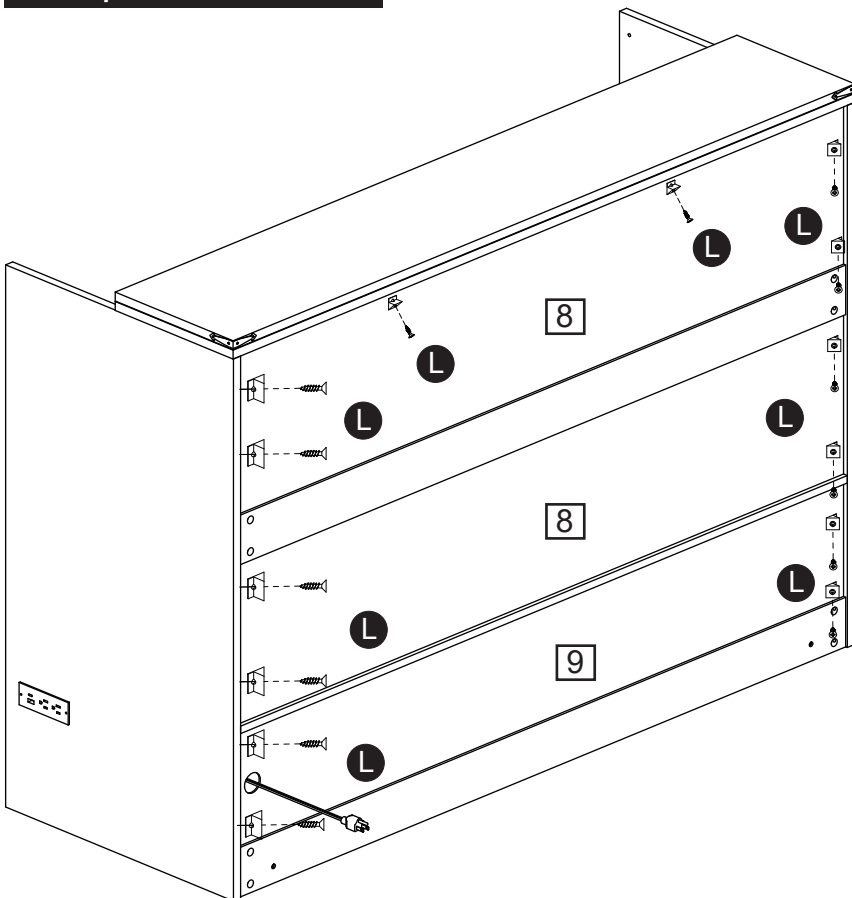


Assembly Instructions

Step 18

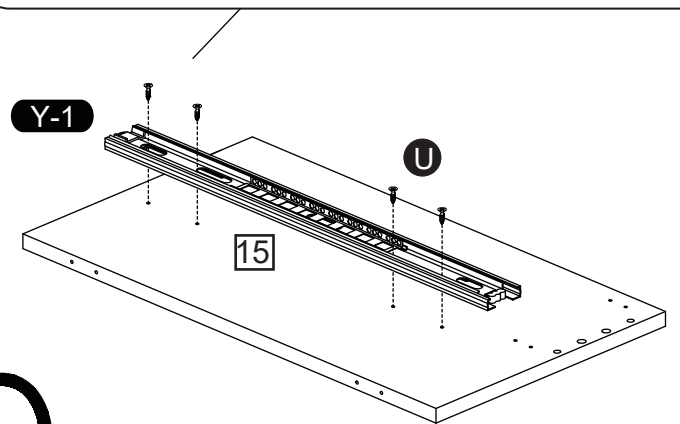
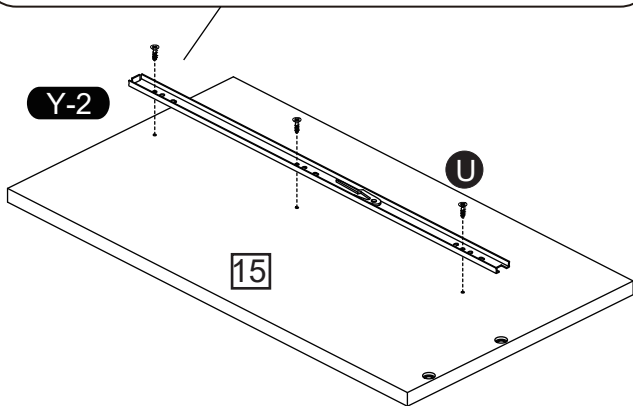
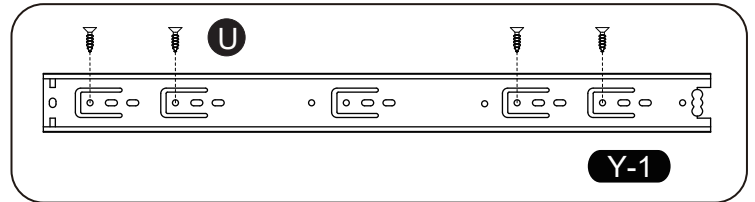
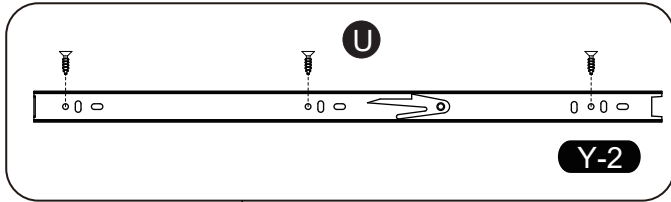
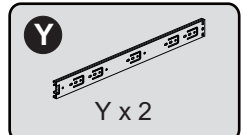
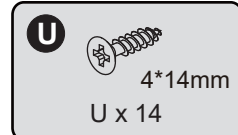


Step 19

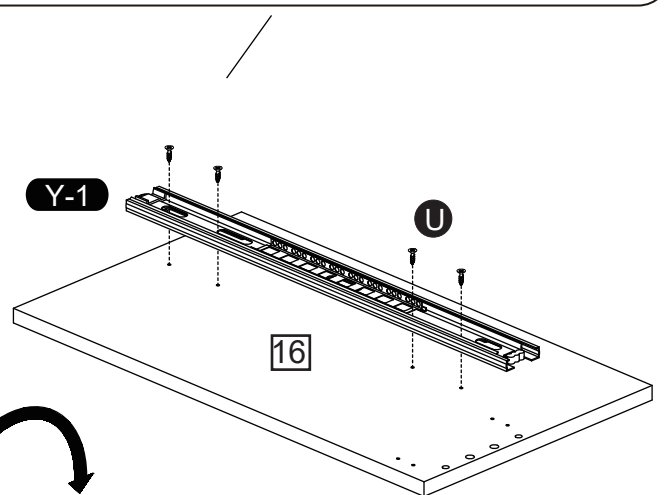
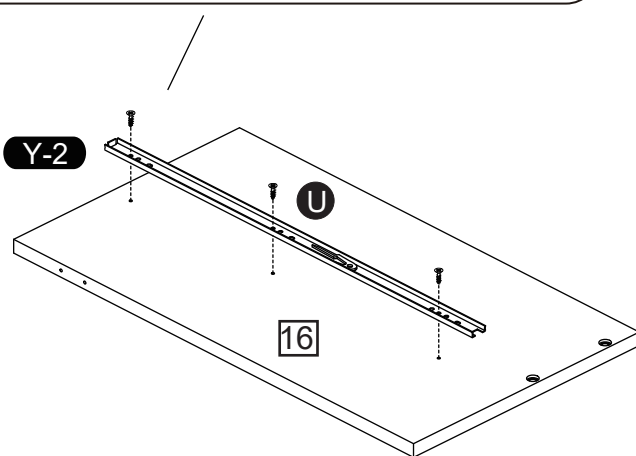
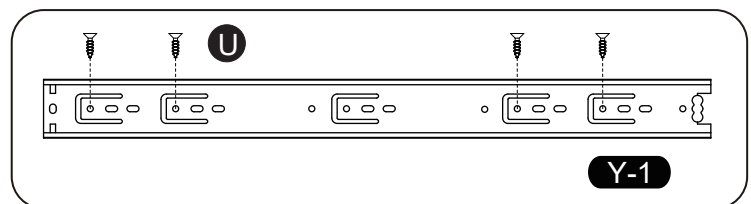
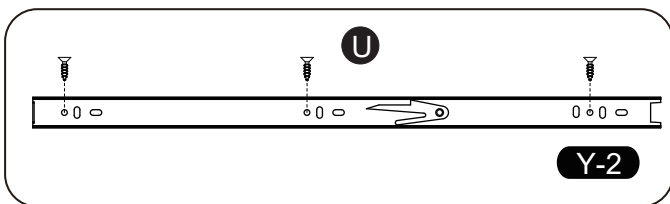


Assembly Instructions

Step 20



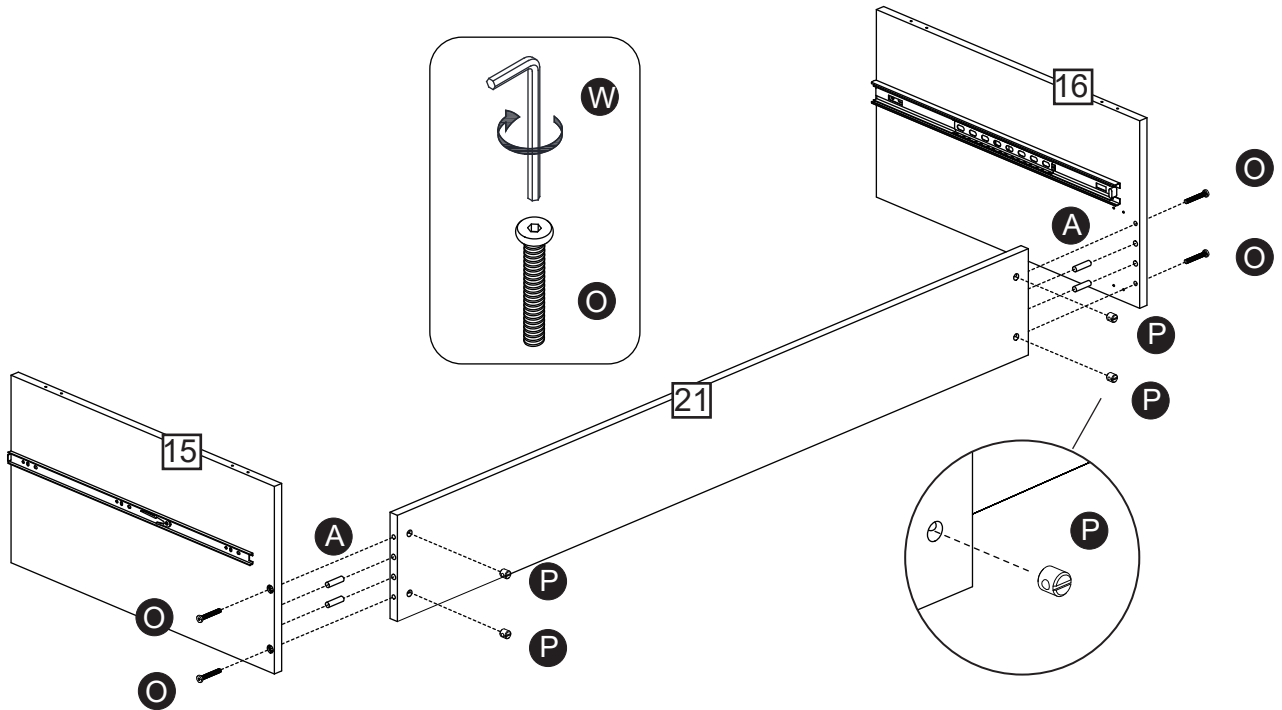
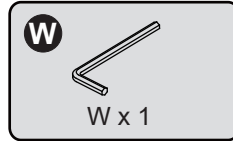
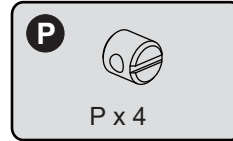
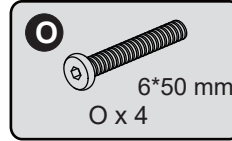
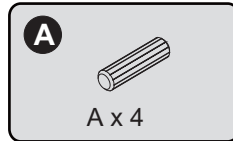
180°
Turn the panel over



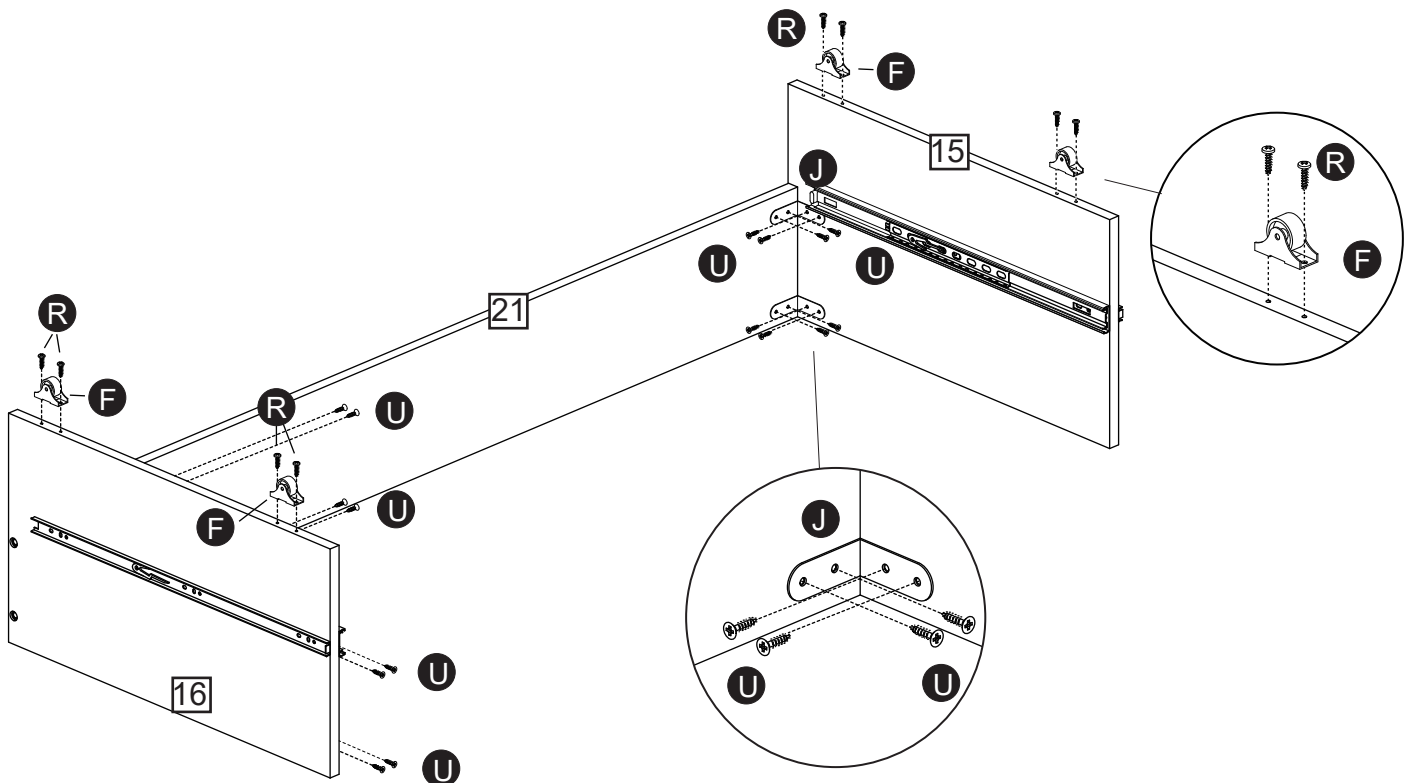
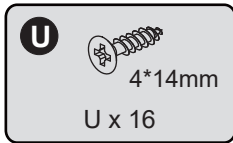
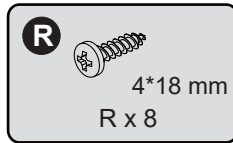
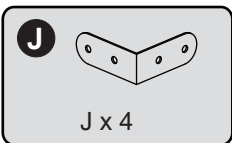
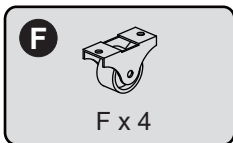
180°
Turn the panel over

Assembly Instructions

Step 21

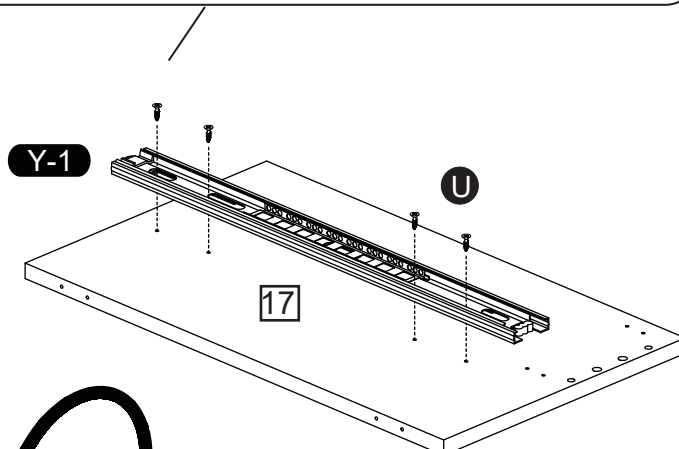
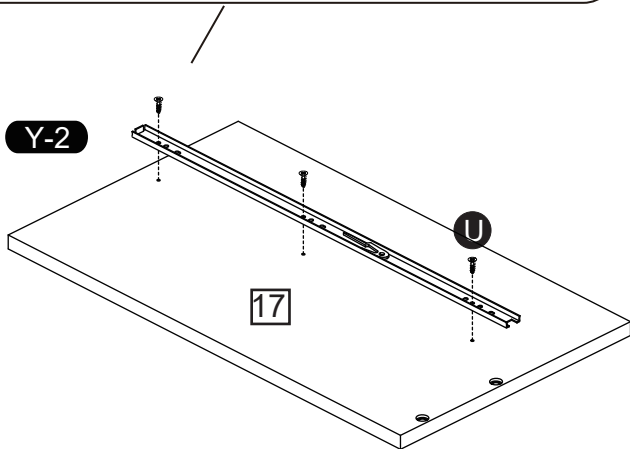
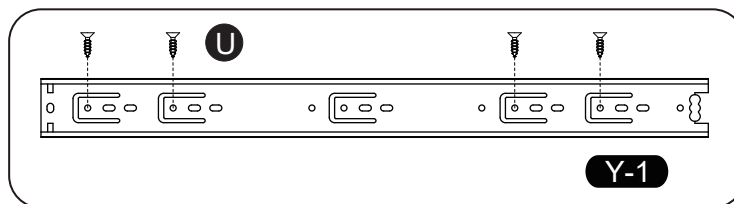
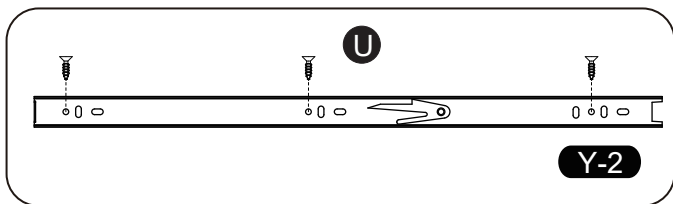
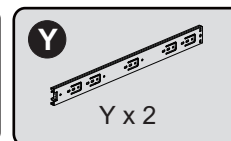
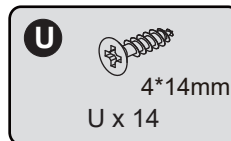


Step 22

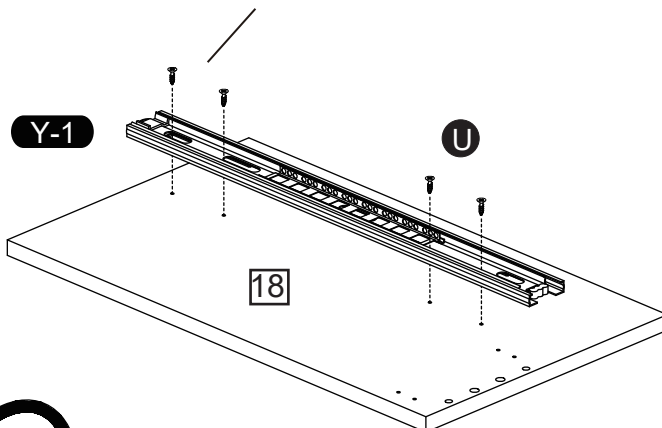
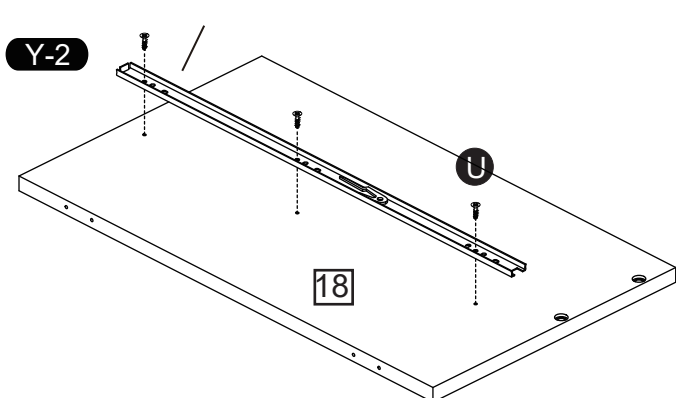
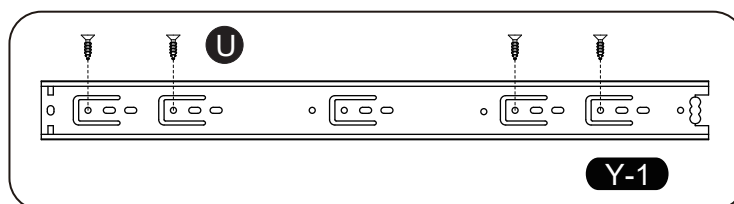
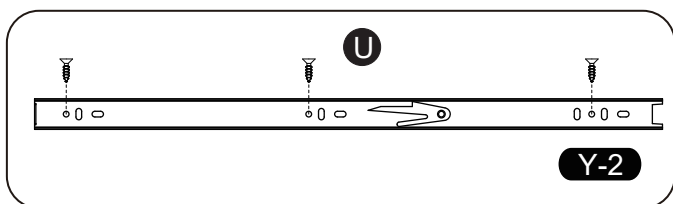


Assembly Instructions

Step 23



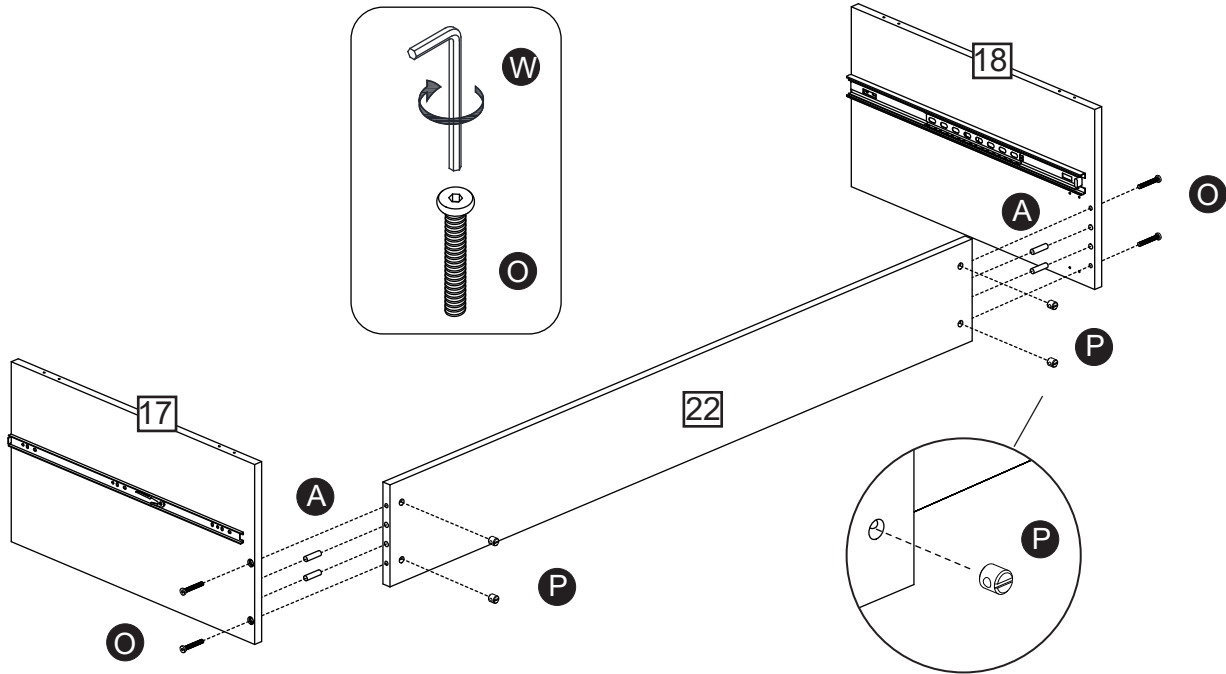
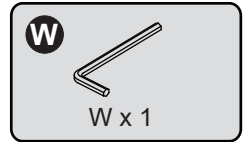
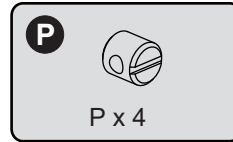
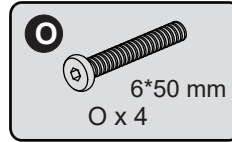
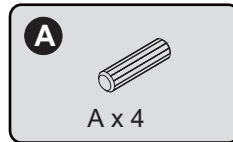
180°
Turn the panel over



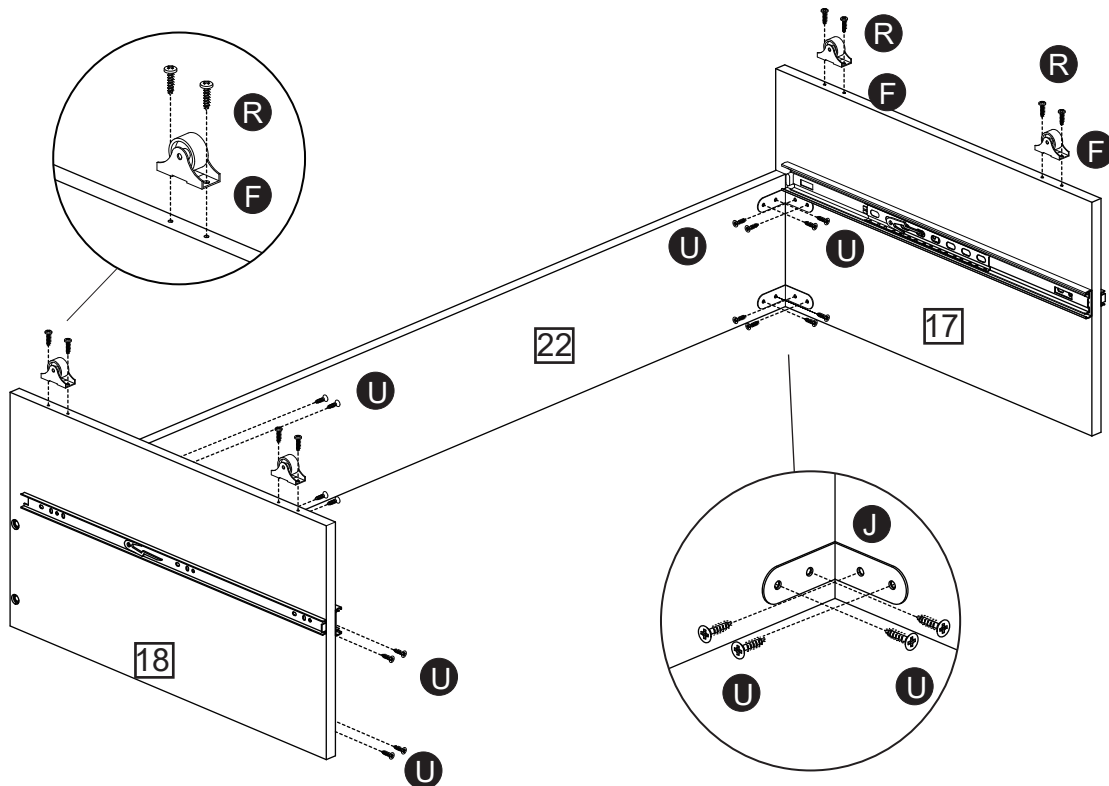
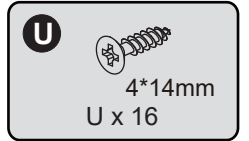
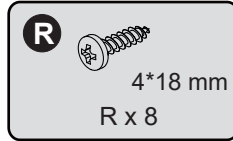
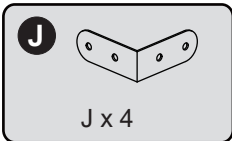
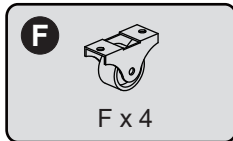
180°
Turn the panel over

Assembly Instructions

Step 24

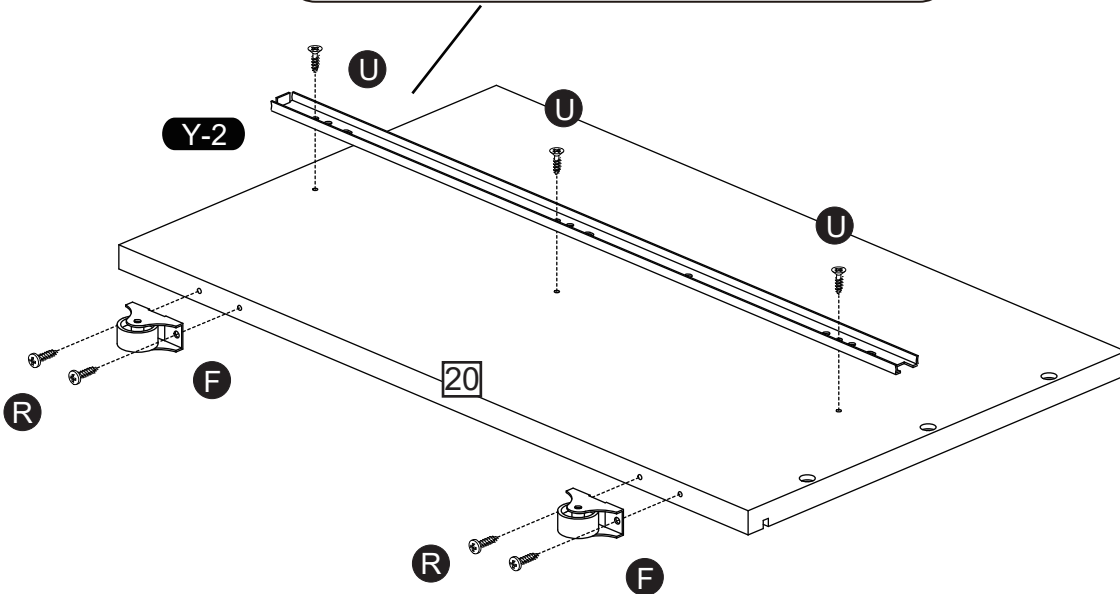
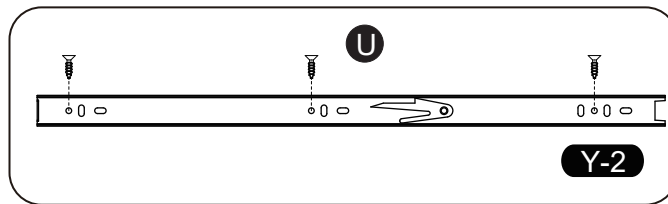
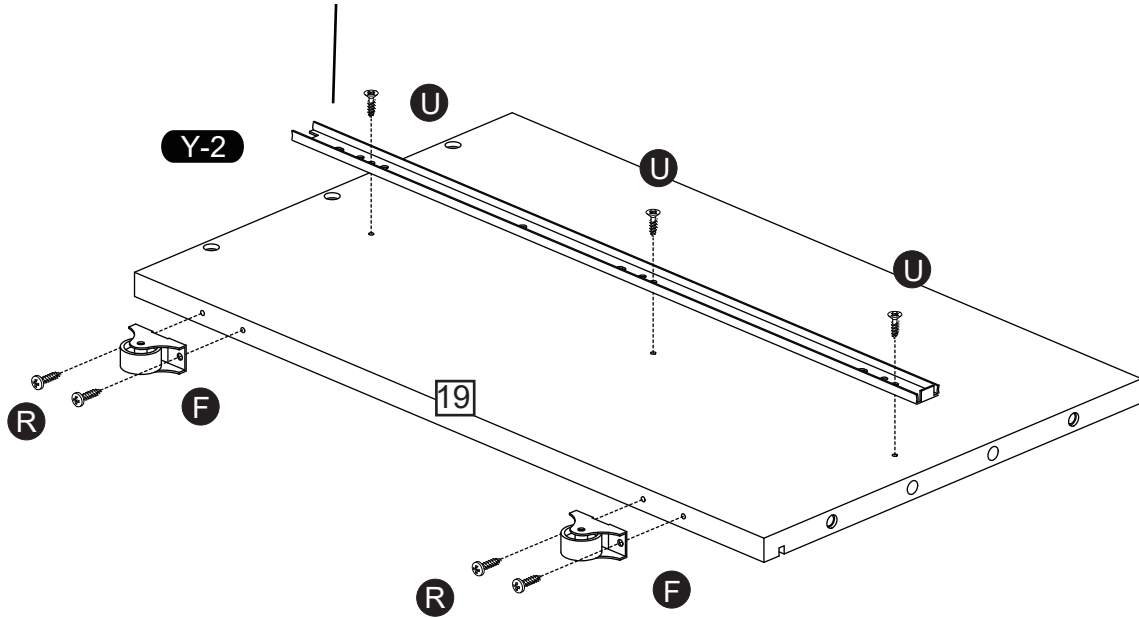
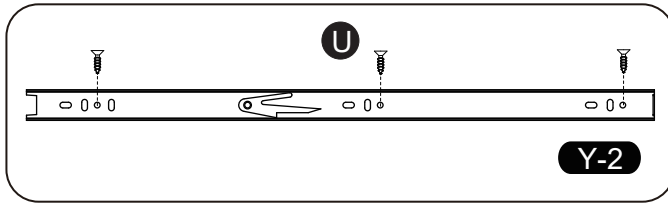
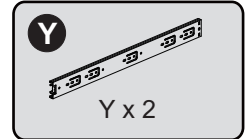
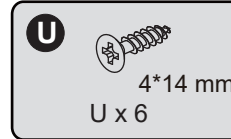
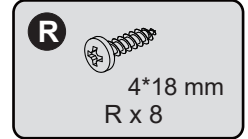
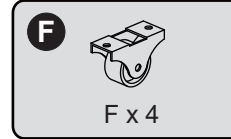


Step 25



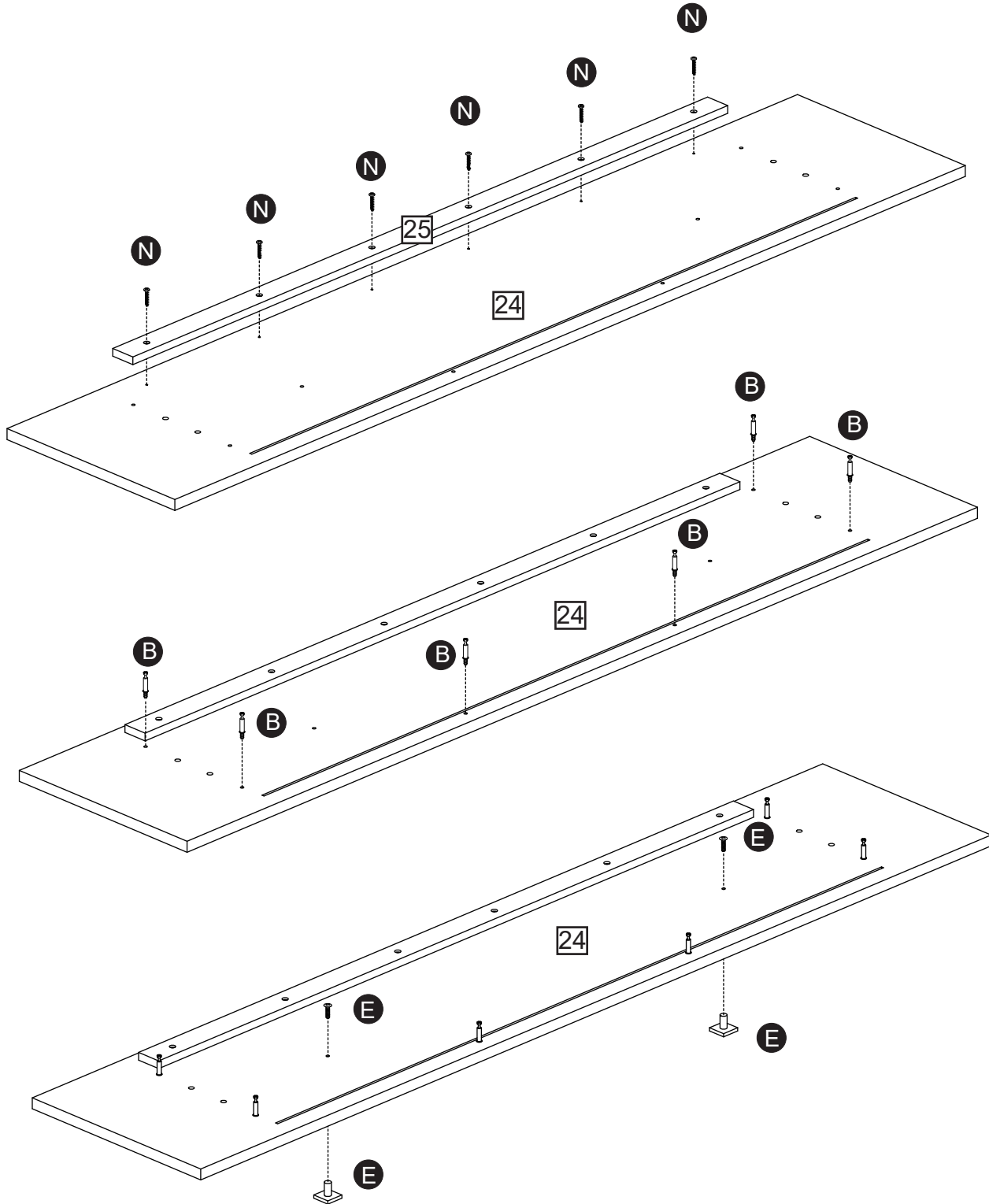
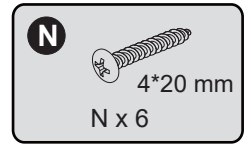
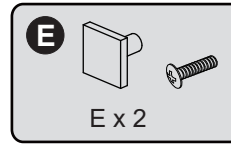
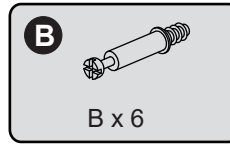
Assembly Instructions

Step 26



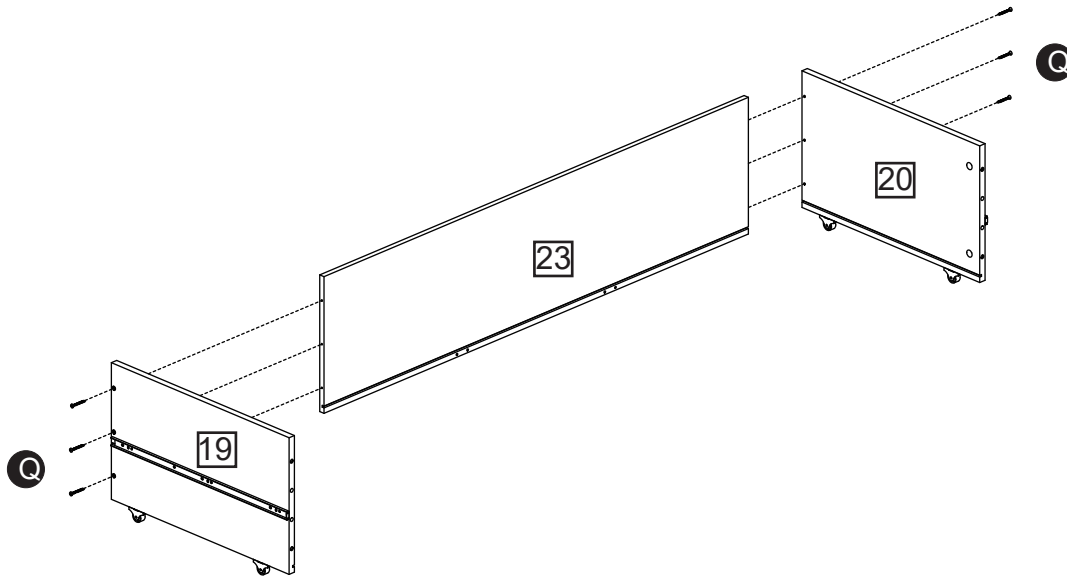
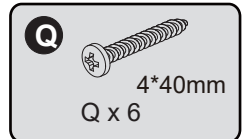
Assembly Instructions

Step 27

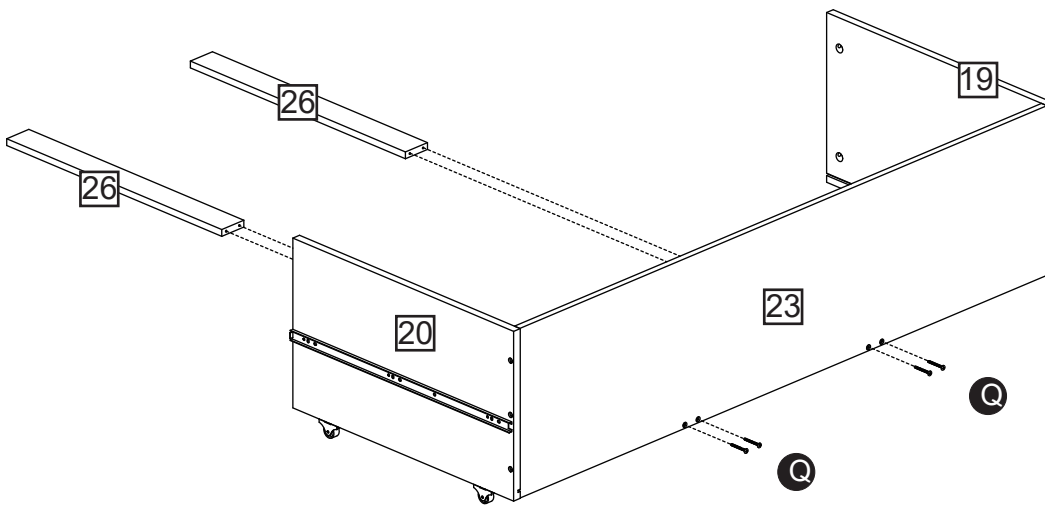
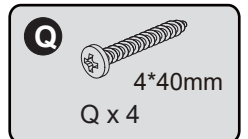


Assembly Instructions

Step 28

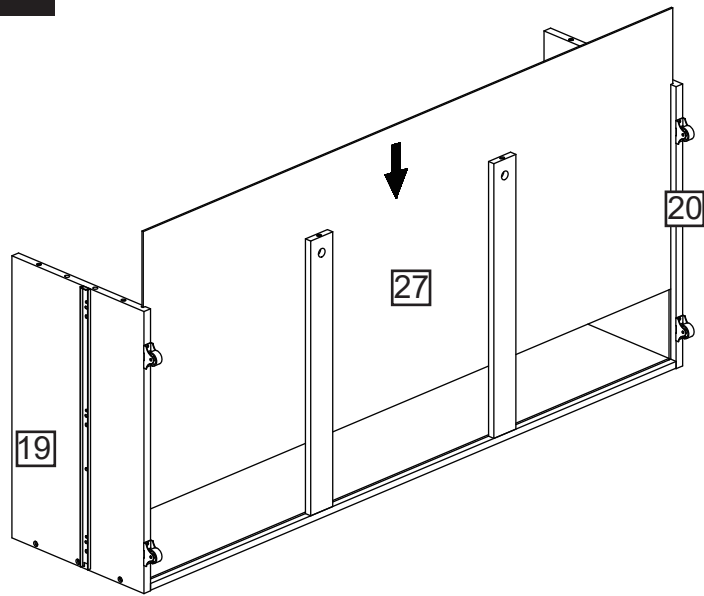


Step 29

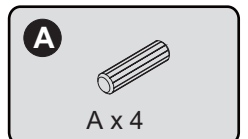
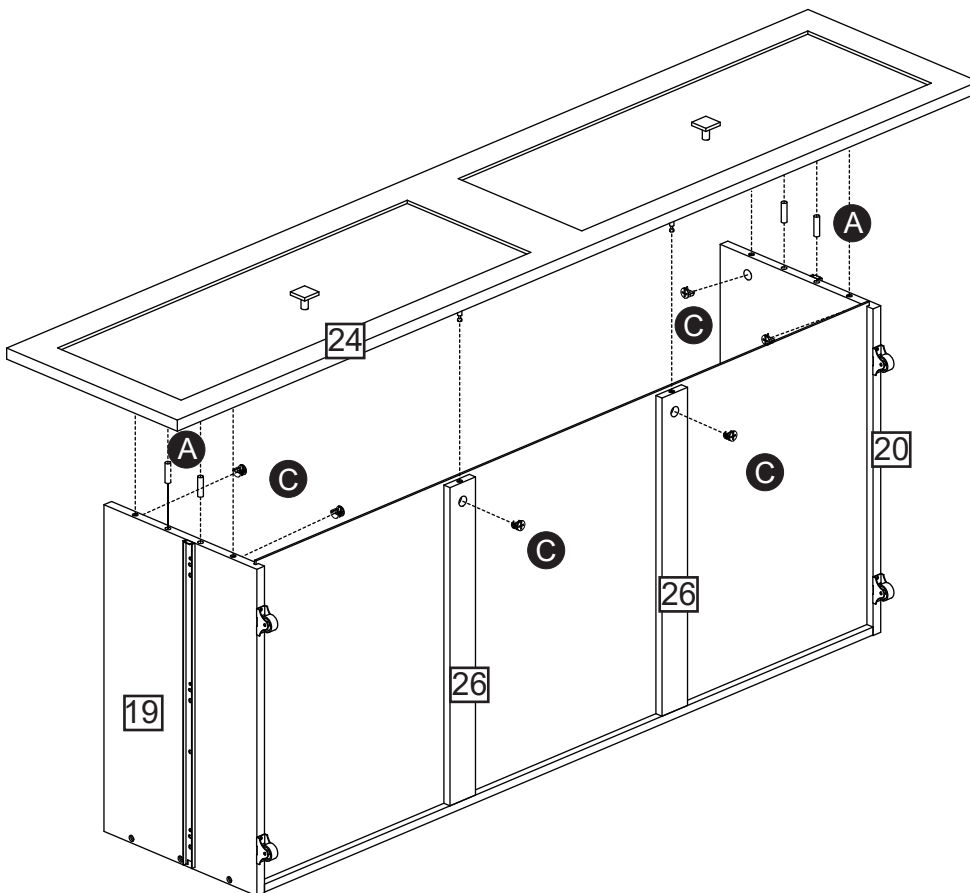


Assembly Instructions

Step 30



Step 31

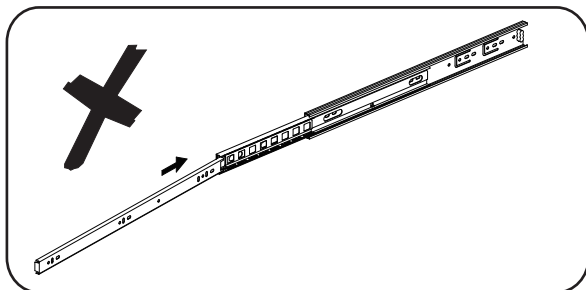
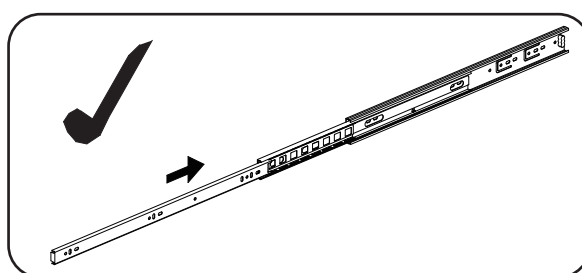
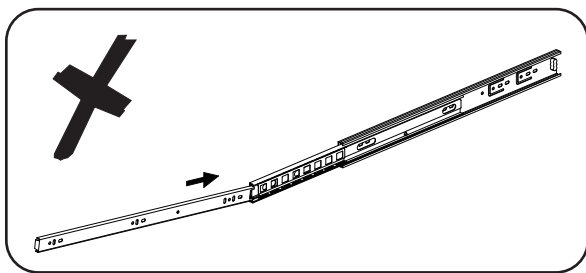
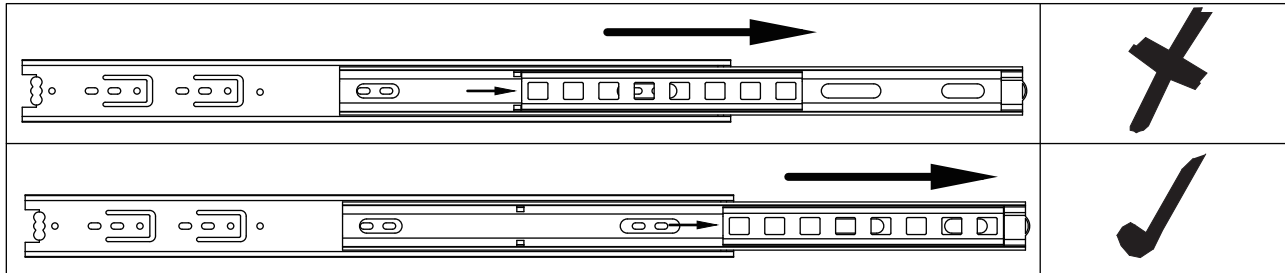


Assembly Instructions

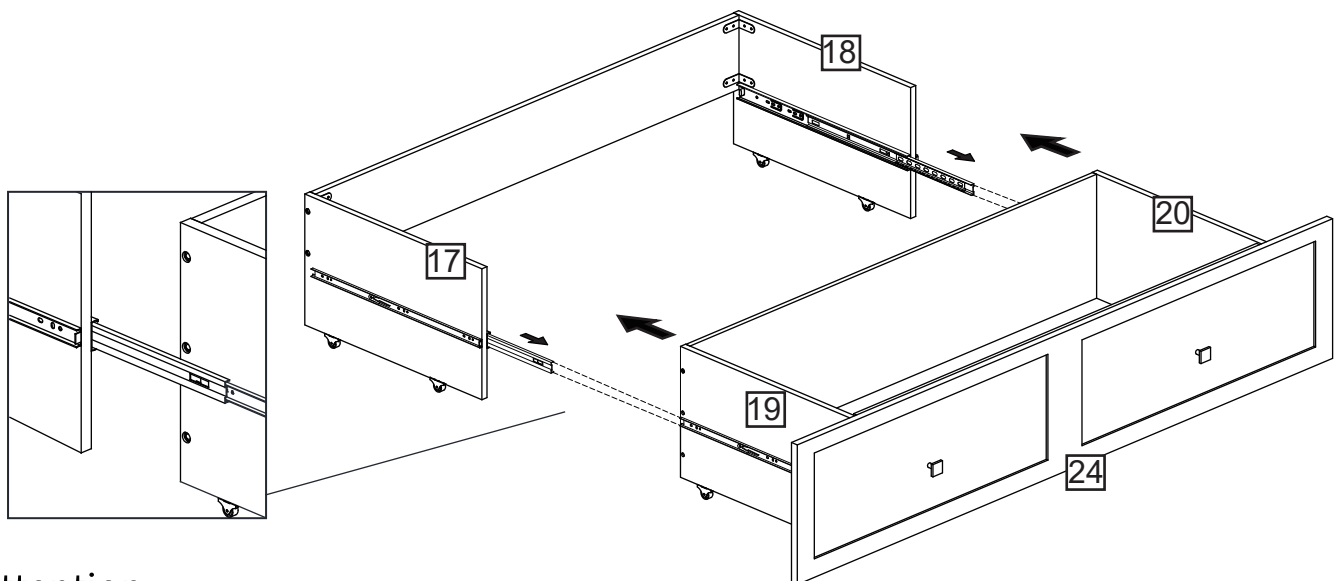
Step 32

Try to find a partner to install with you, which can speed up the installation efficiency and shorten the time.

Please make sure that the balls in the tracks on both sides are pulled to the top, and then insert the tracks to ensure smooth entry.



1. Drawers must be horizontally put into the cabinets.
2. Make sure both sides sliders match well to avoid damage.



Attention:

1. Pull out the rail installed on the cabinet.
2. Align the slide runners on the drawer with the unit and push it carefully inside until it stops.

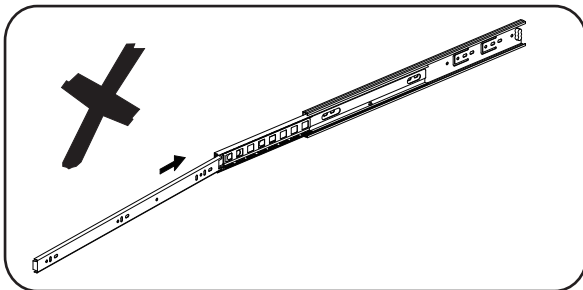
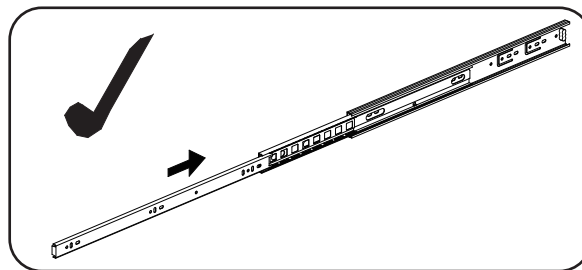
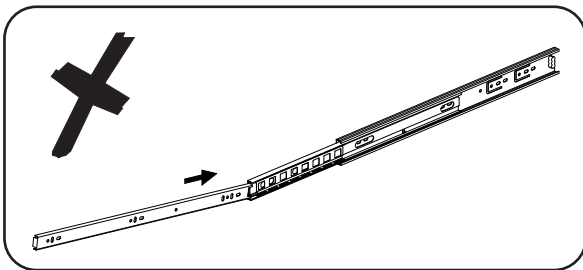
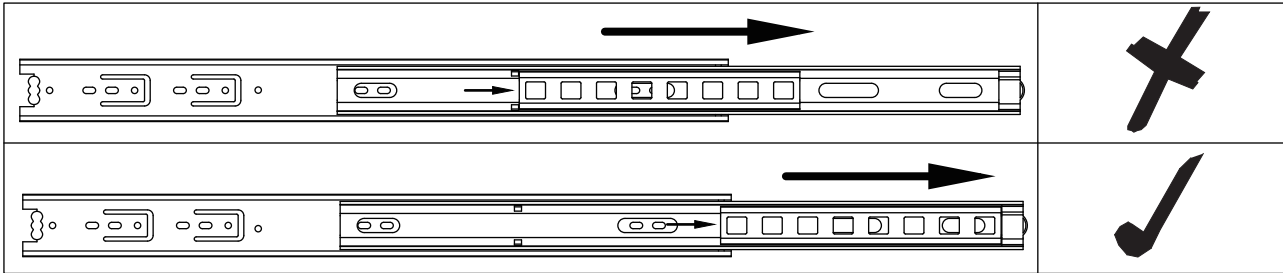
★ If the drawer does not go in smoothly please take it out and repeat the steps.

Assembly Instructions

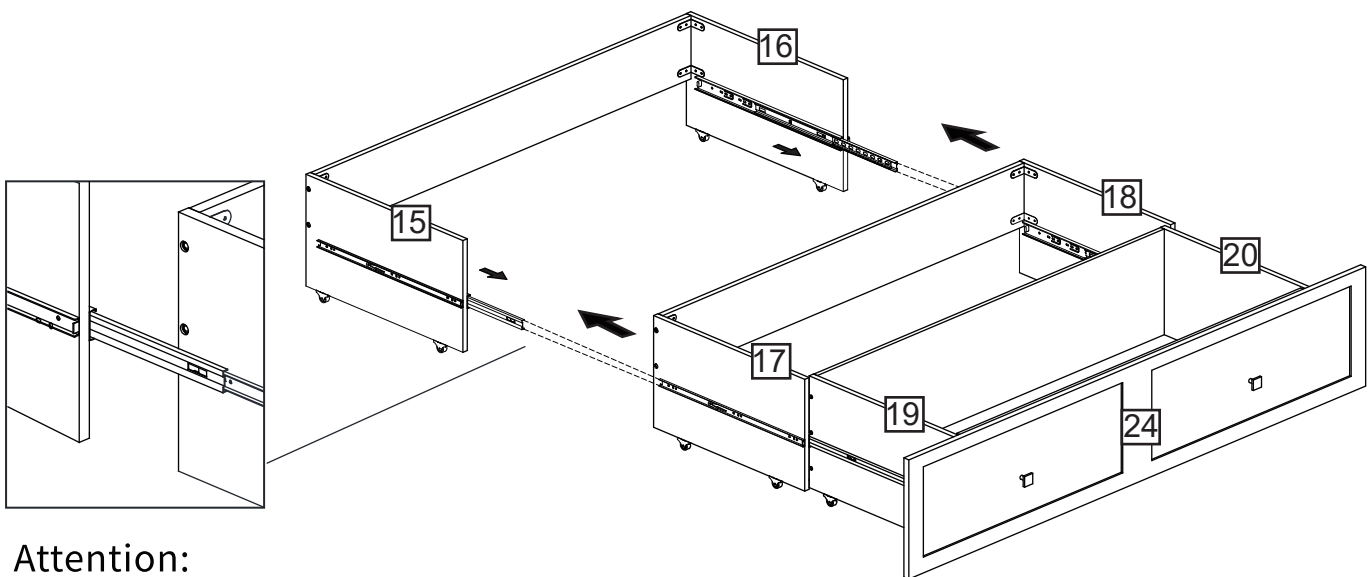
Step 33

Try to find a partner to install with you, which can speed up the installation efficiency and shorten the time.

Please make sure that the balls in the tracks on both sides are pulled to the top, and then insert the tracks to ensure smooth entry.



1. Drawers must be horizontally put into the cabinets.
2. Make sure both sides sliders match well to avoid damage.



Attention:

1. Pull out the rail installed on the cabinet.
2. Align the slide runners on the drawer with the unit and push it carefully inside until it stops.

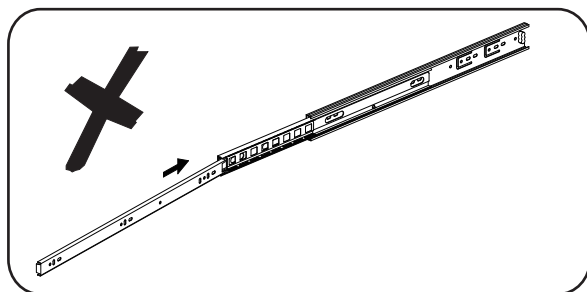
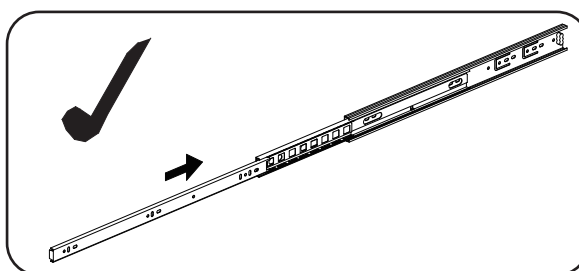
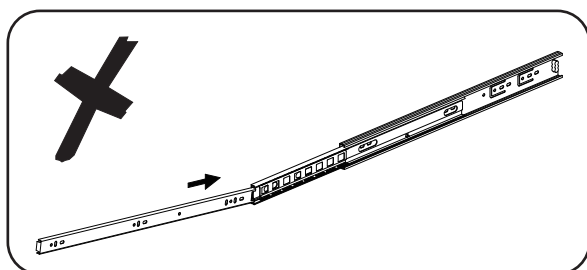
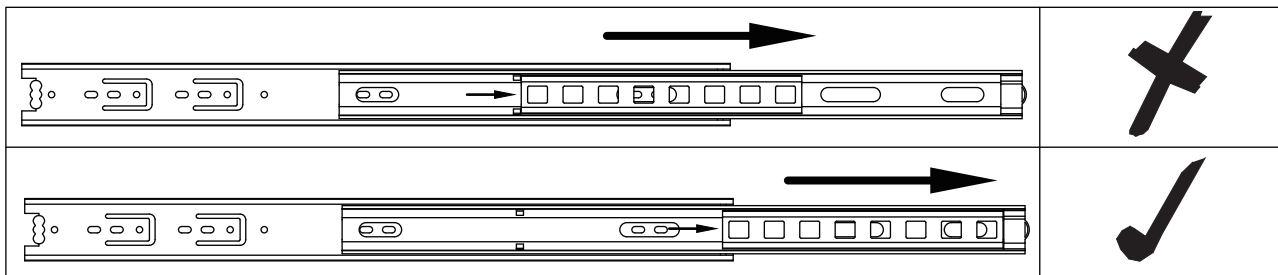
★ If the drawer does not go in smoothly please take it out and repeat the steps.

Assembly Instructions

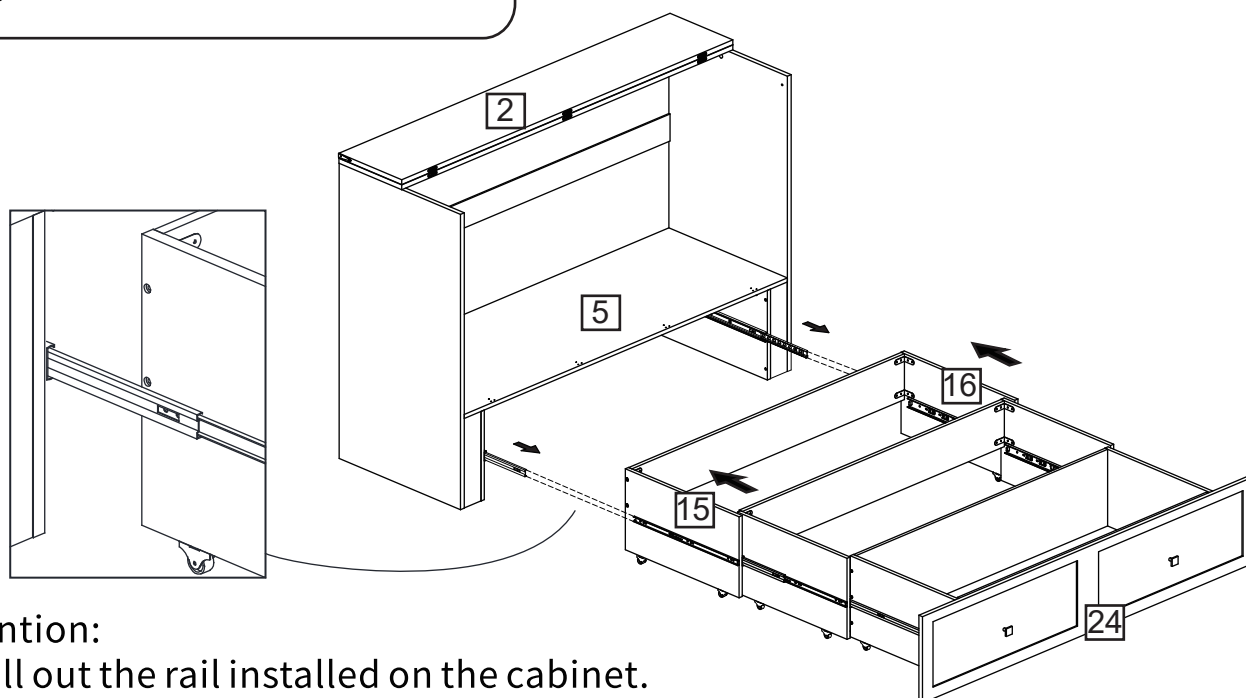
Step 34

Try to find a partner to install with you, which can speed up the installation efficiency and shorten the time.

Please make sure that the balls in the tracks on both sides are pulled to the top, and then insert the tracks to ensure smooth entry.



1. Drawers must be horizontally put into the cabinets.
2. Make sure both sides sliders match well to avoid damage.



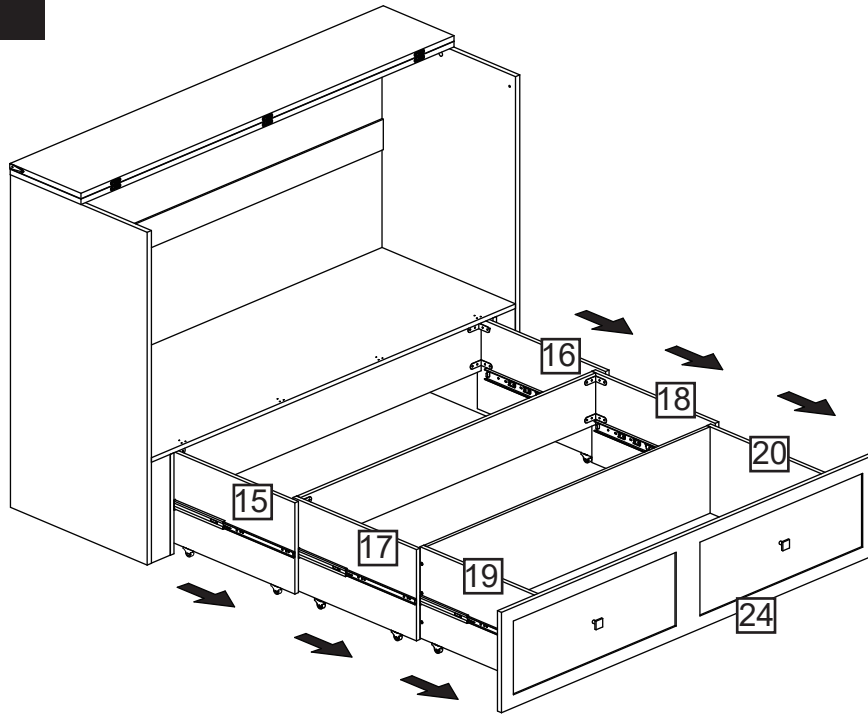
Attention:

1. Pull out the rail installed on the cabinet.
2. Align the slide runners on the drawer with the unit and push it carefully inside until it stops.

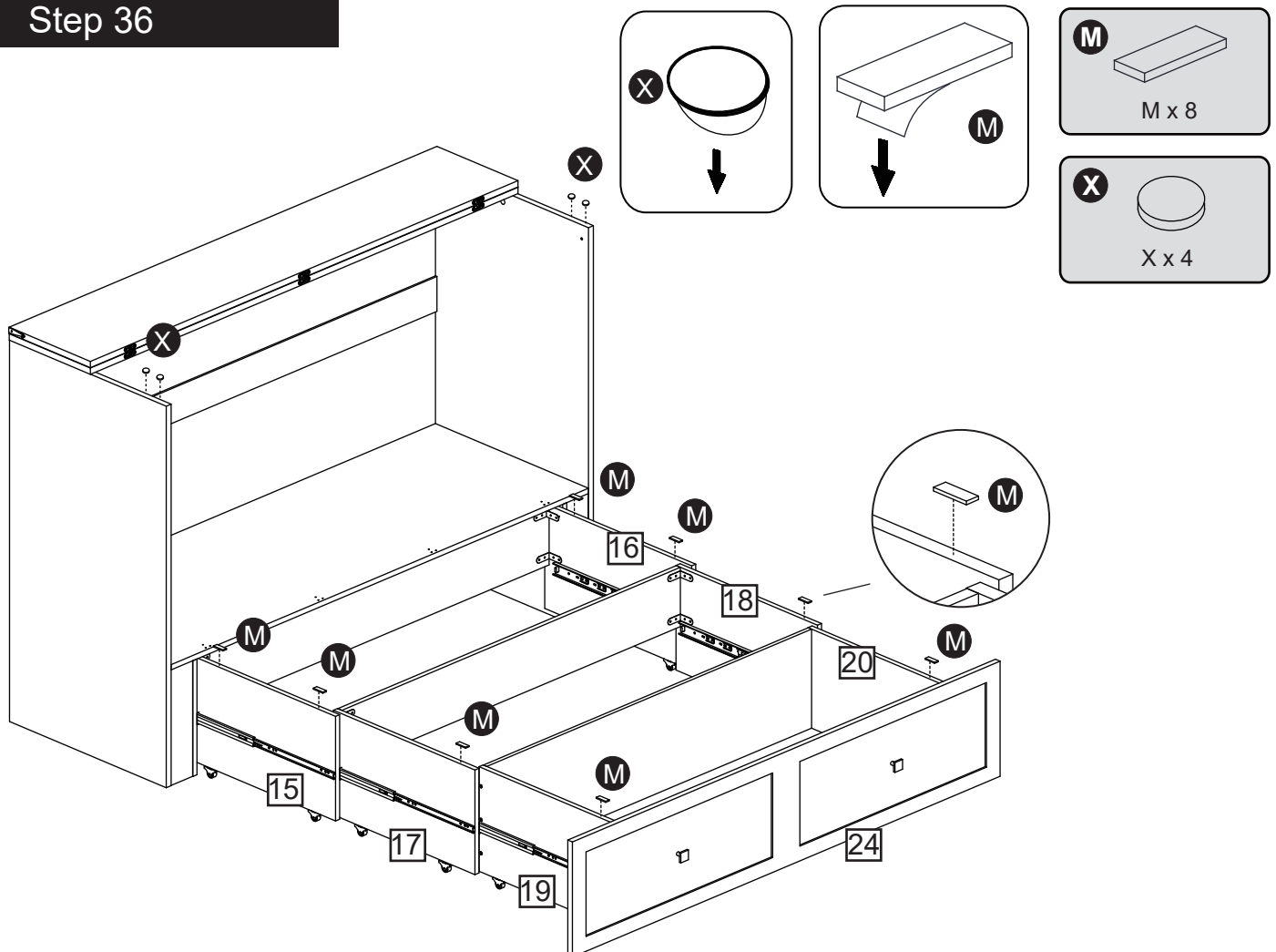
★ If the drawer does not go in smoothly please take it out and repeat the steps.

Assembly Instructions

Step 35

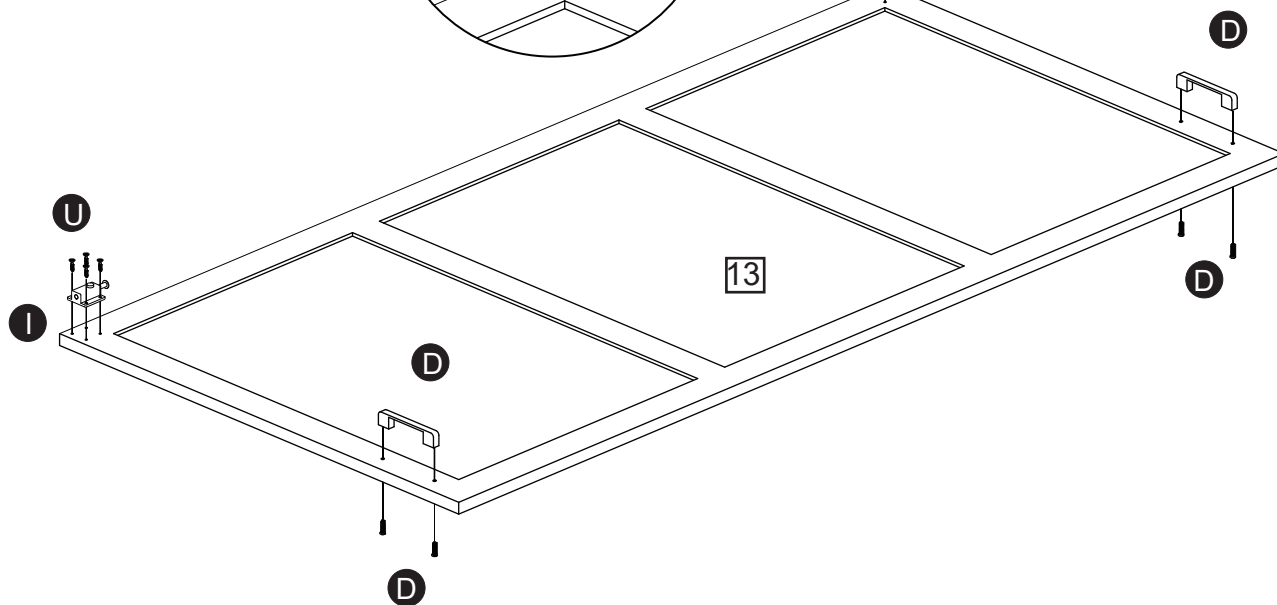
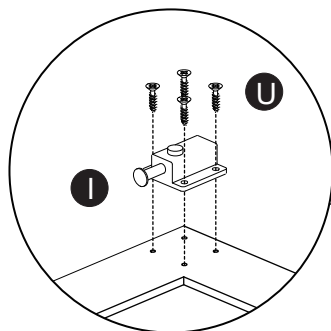
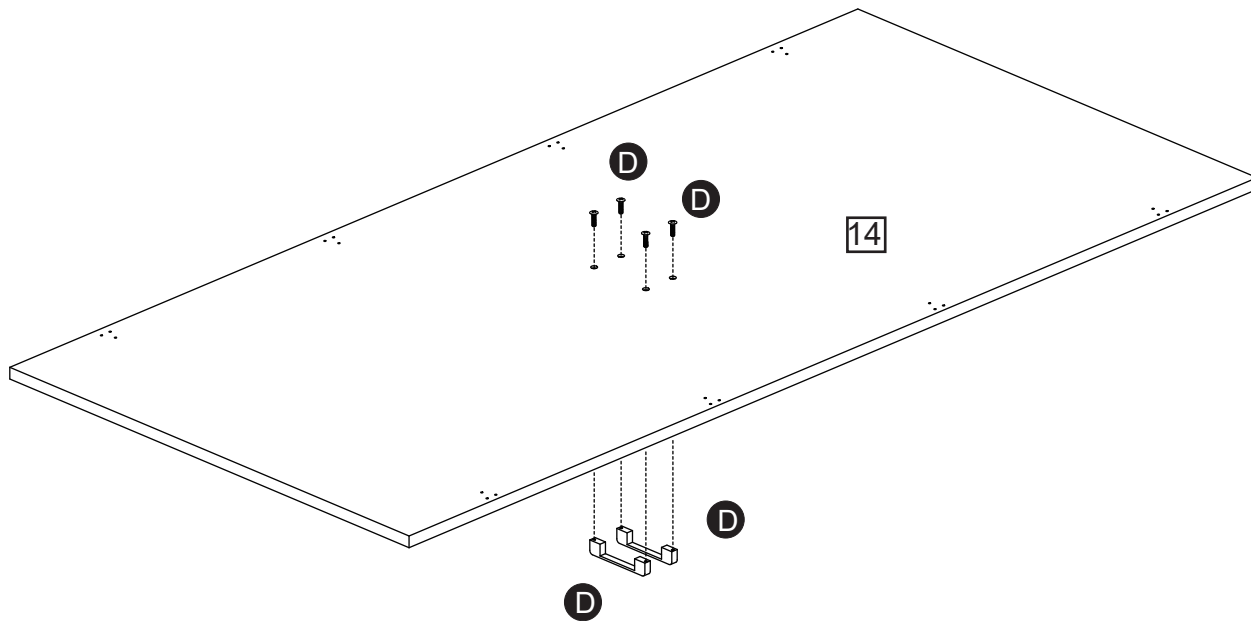
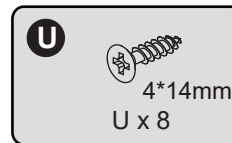
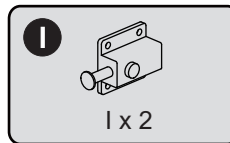
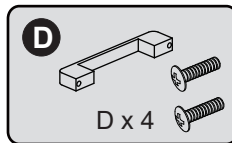


Step 36



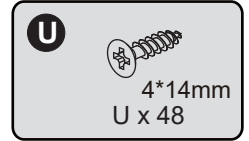
Assembly Instructions

Step 37

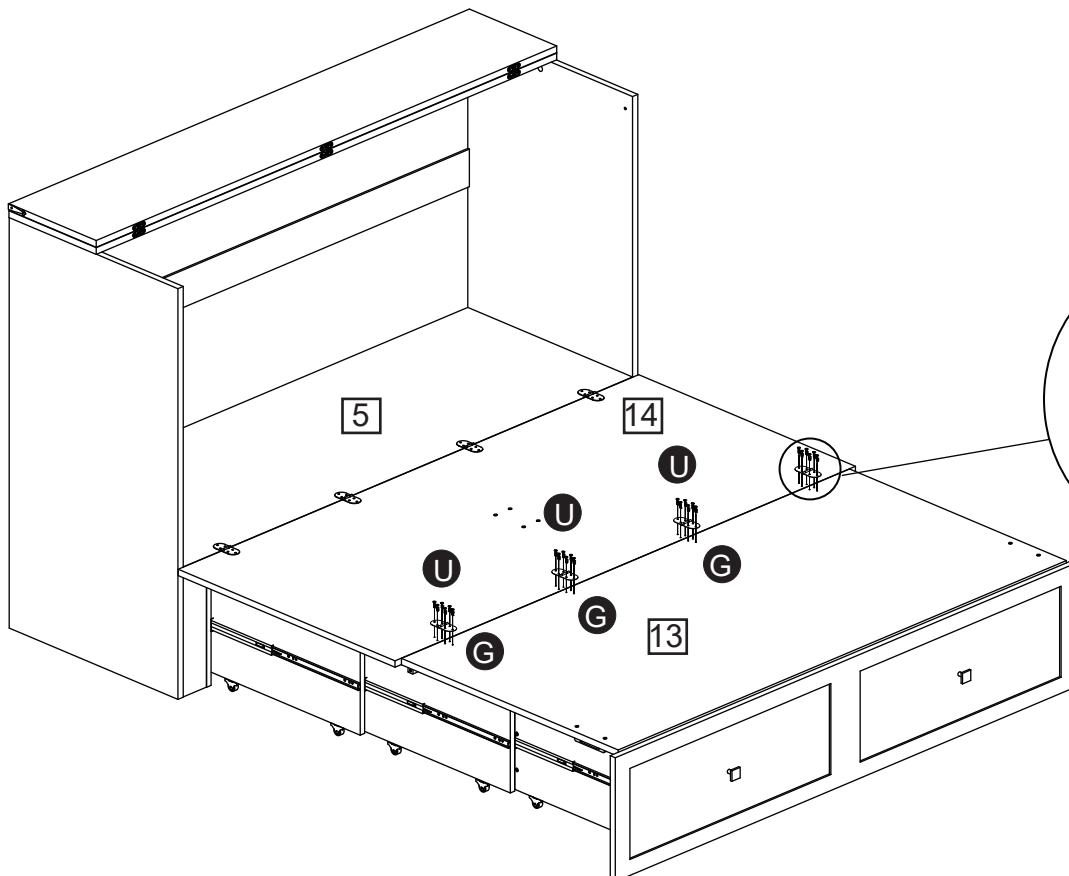
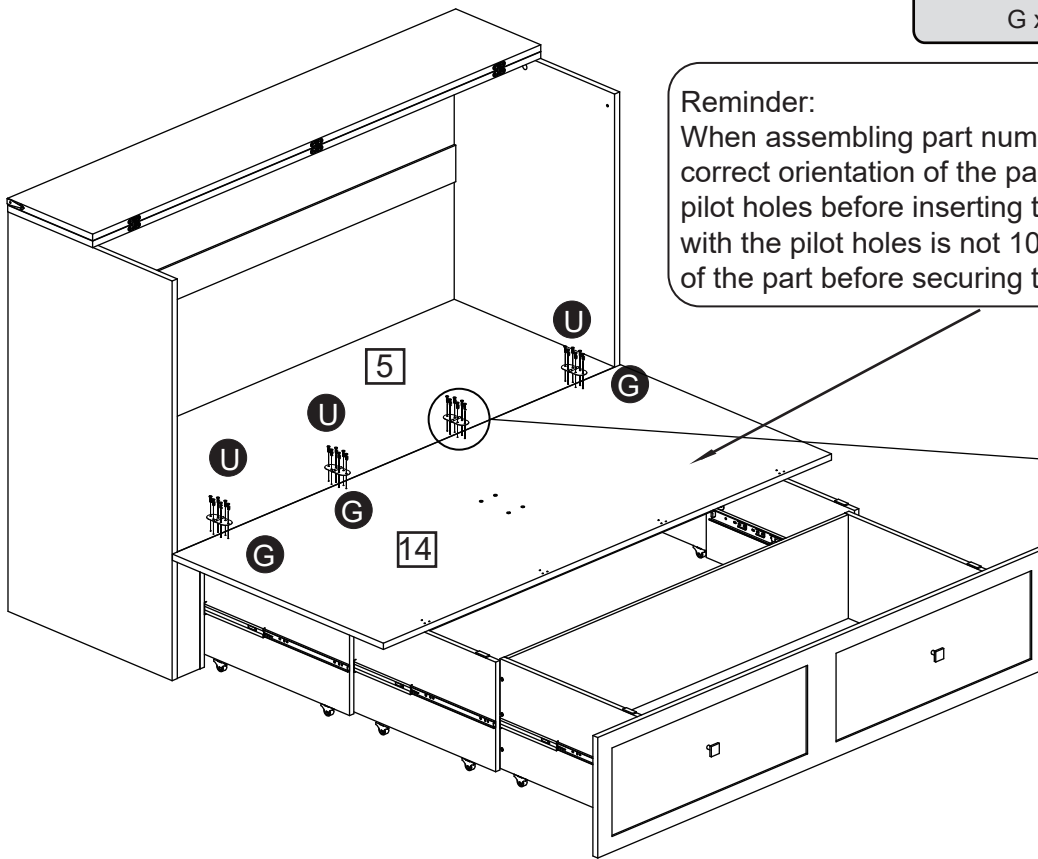


Assembly Instructions

Step 38

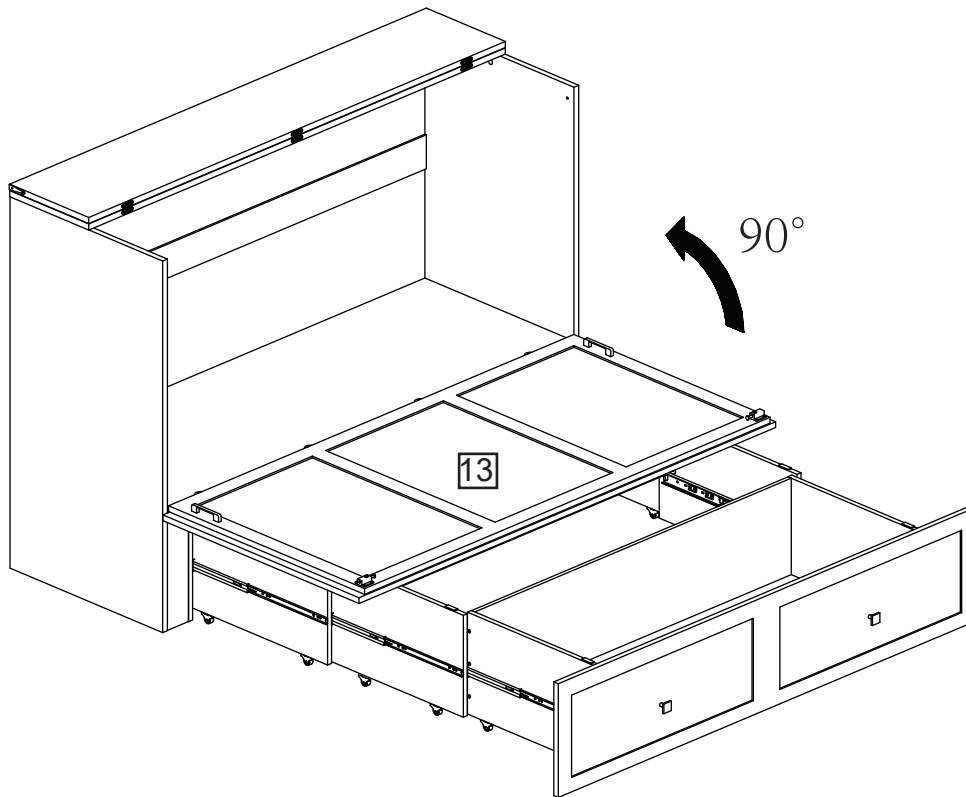
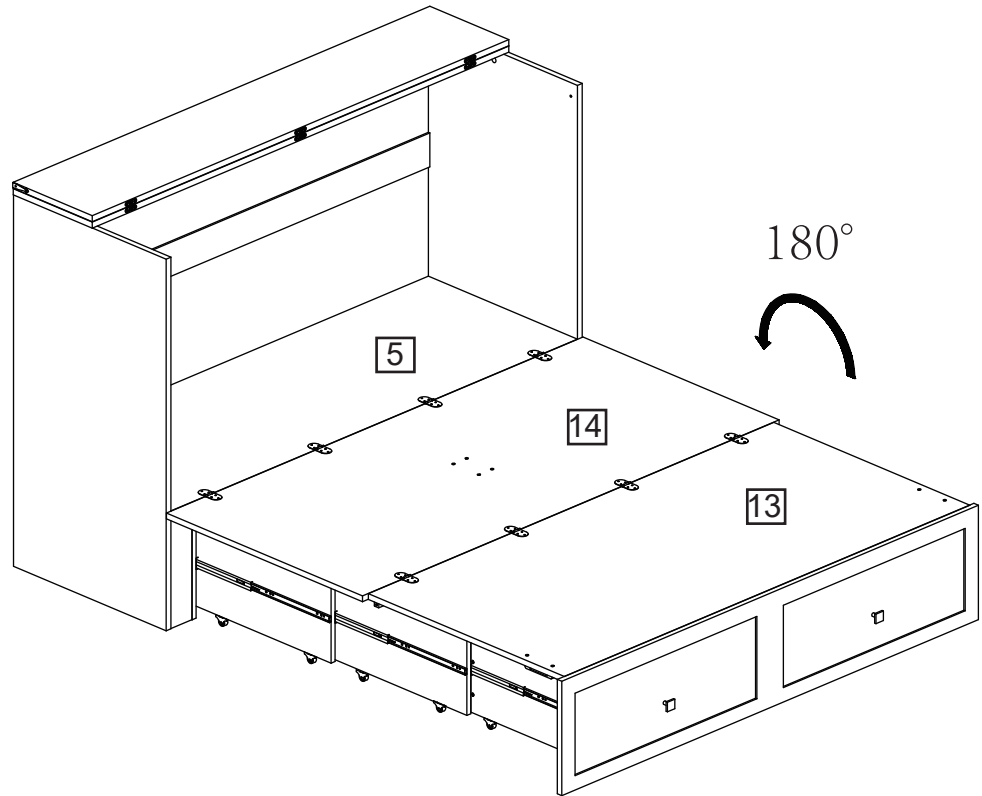


Reminder:
When assembling part number 14, determine the correct orientation of the part by comparing with the pilot holes before inserting the hinge. If the alignment with the pilot holes is not 100%, adjust the orientation of the part before securing the hinge.



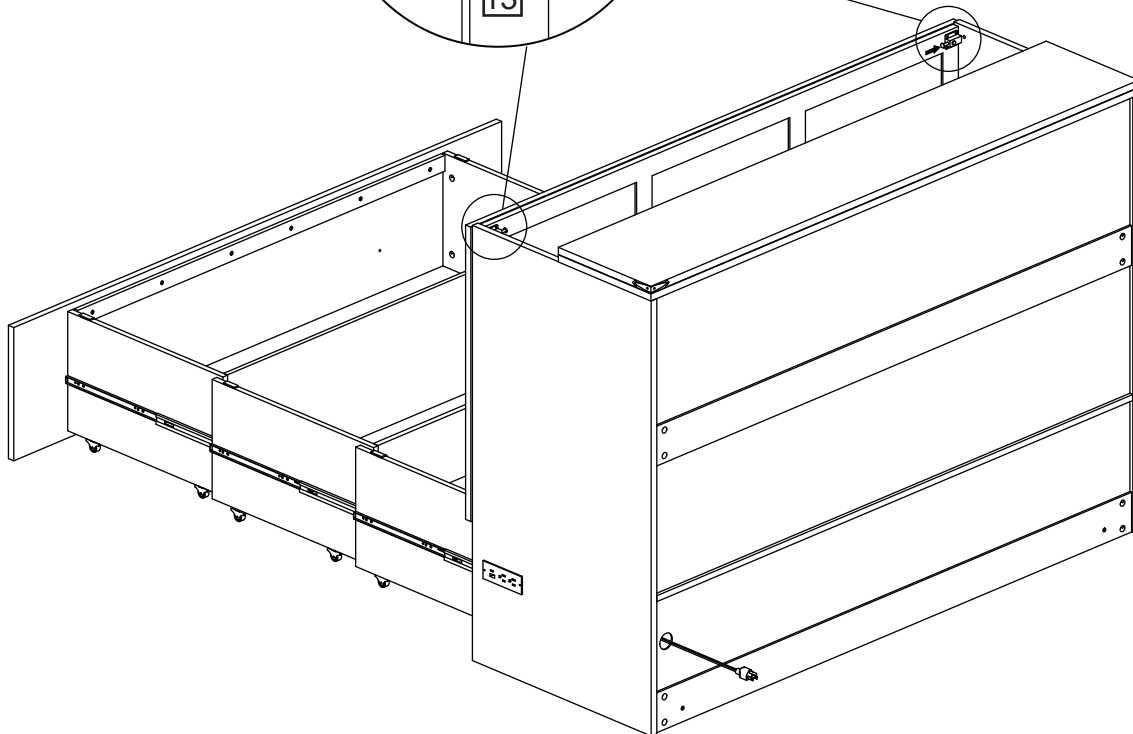
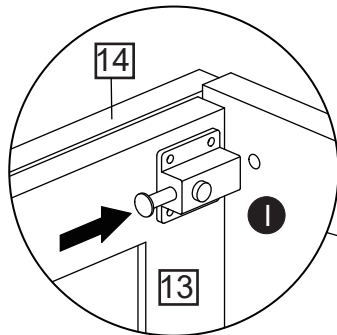
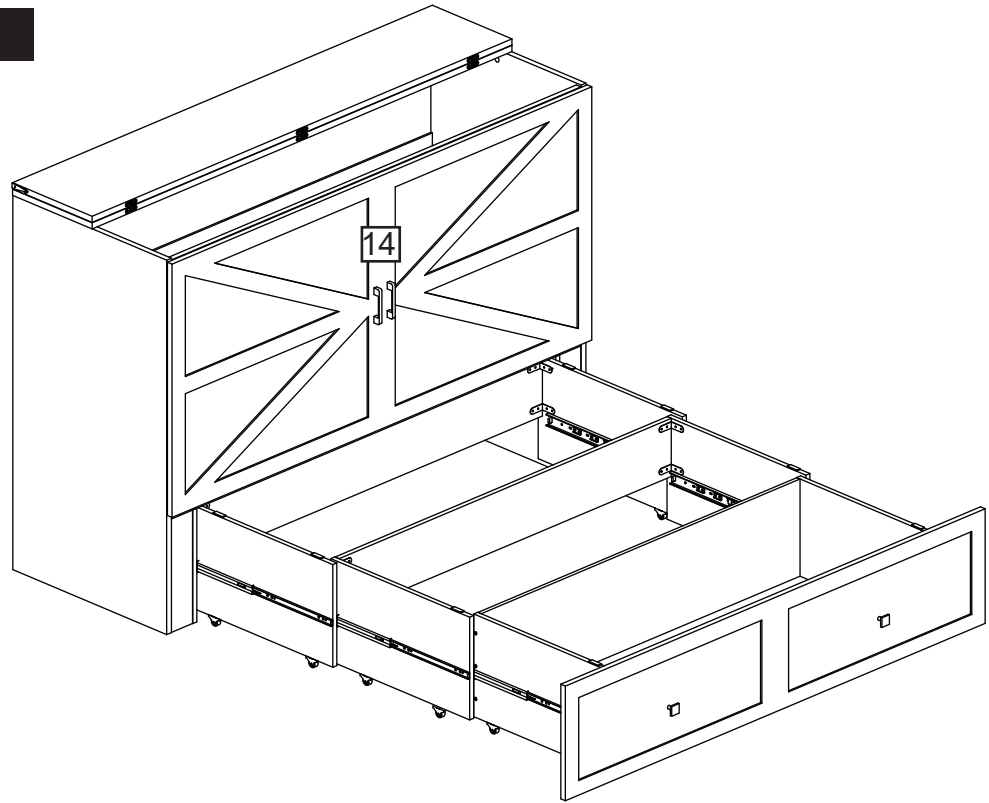
Assembly Instructions

Step 39



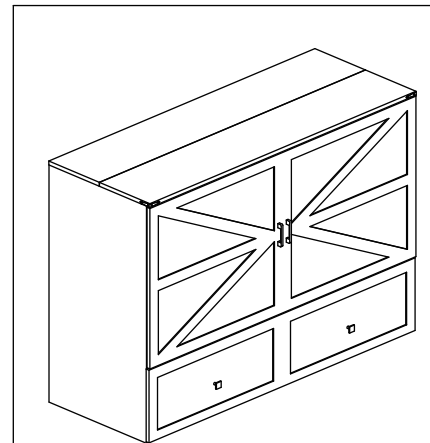
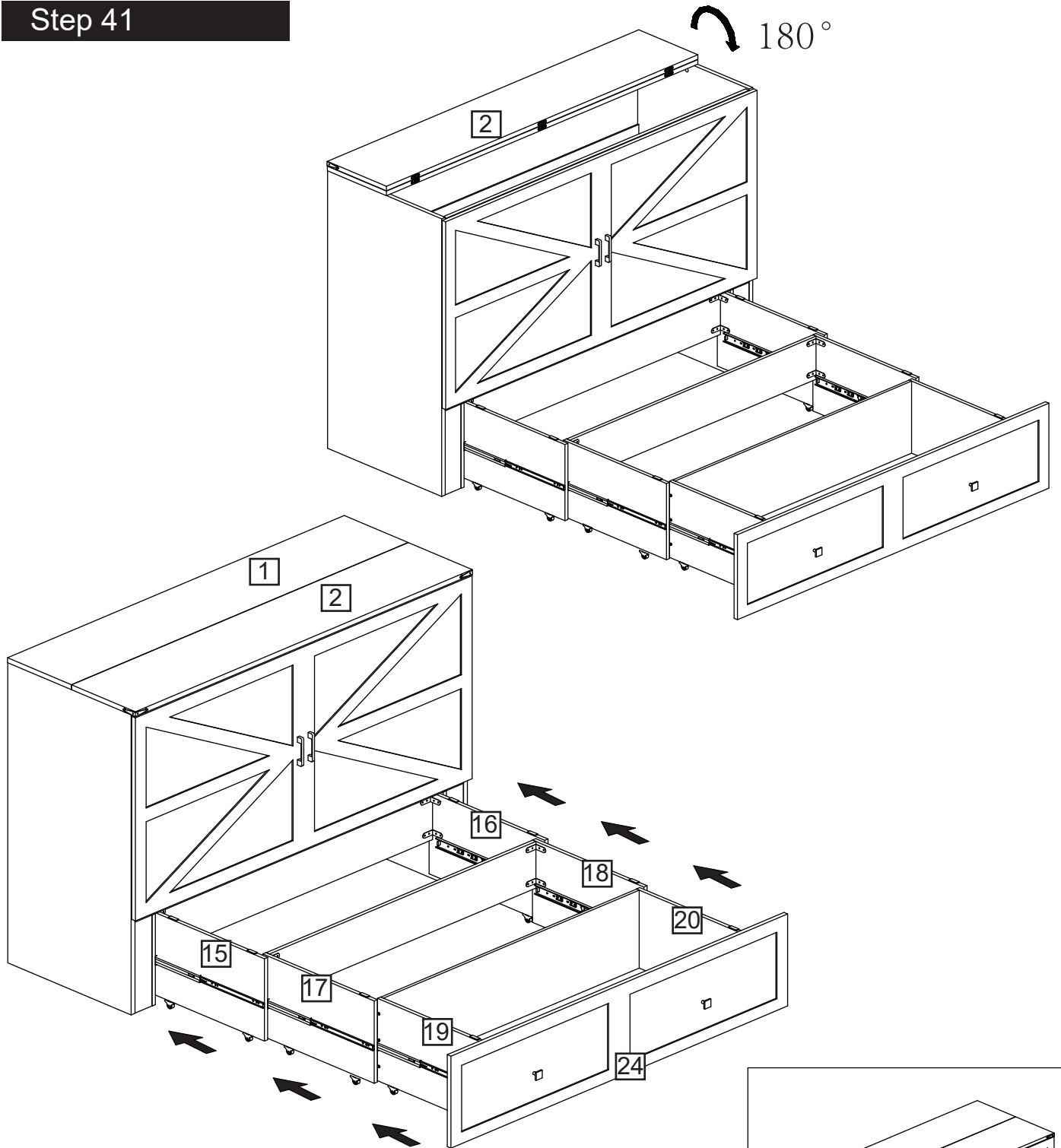
Assembly Instructions

Step 40



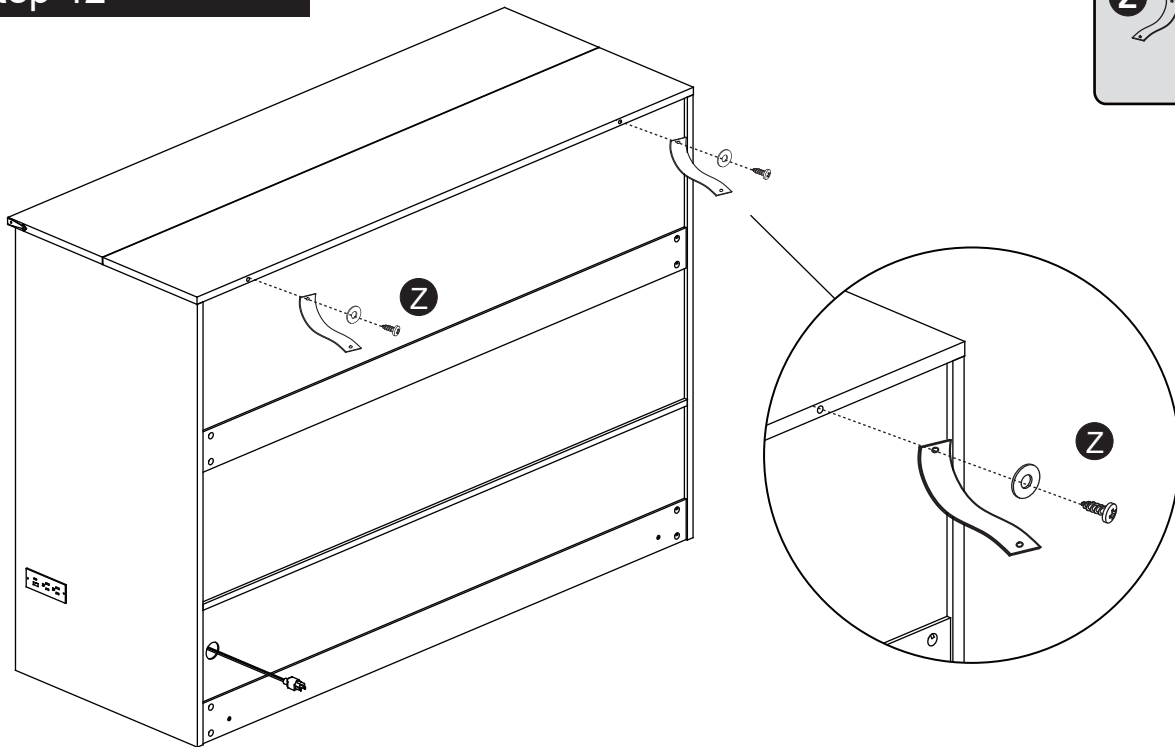
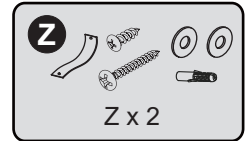
Assembly Instructions

Step 41

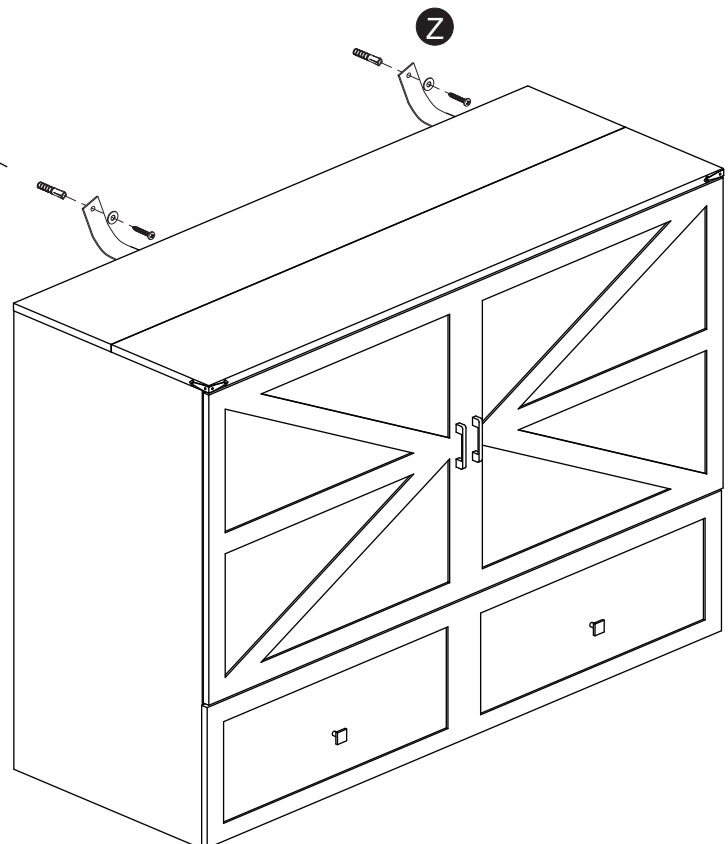
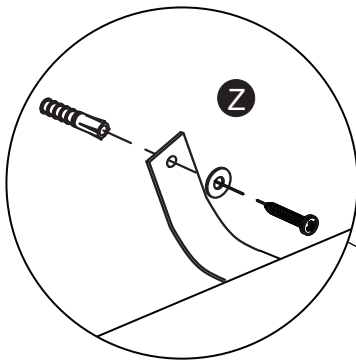


Assembly Instructions

Step 42



Please read the Guide to Wall Mounting & Fixings on the last page before executing this step.



The unit is floor standing, but it is recommended that the unit is secured to the wall.

1. Move the unit into desired position.
2. Mark the wall with a suitable scribe the position of the fixing holes.

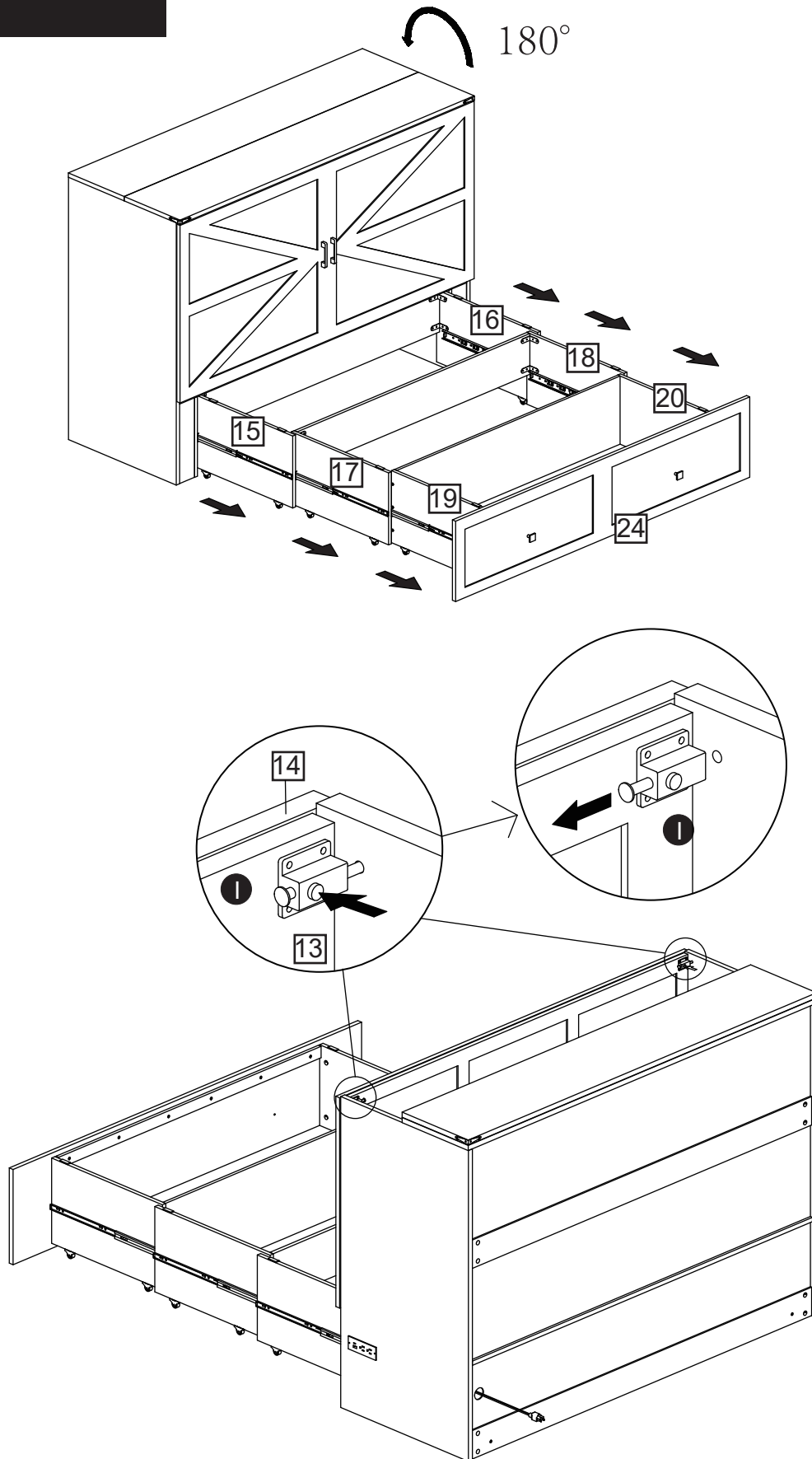


Warning:
Before drilling, check wall for hidden pipes and cables.

3. Drill holes and insert wall plug.
4. Attach strap (Z) to the wall.

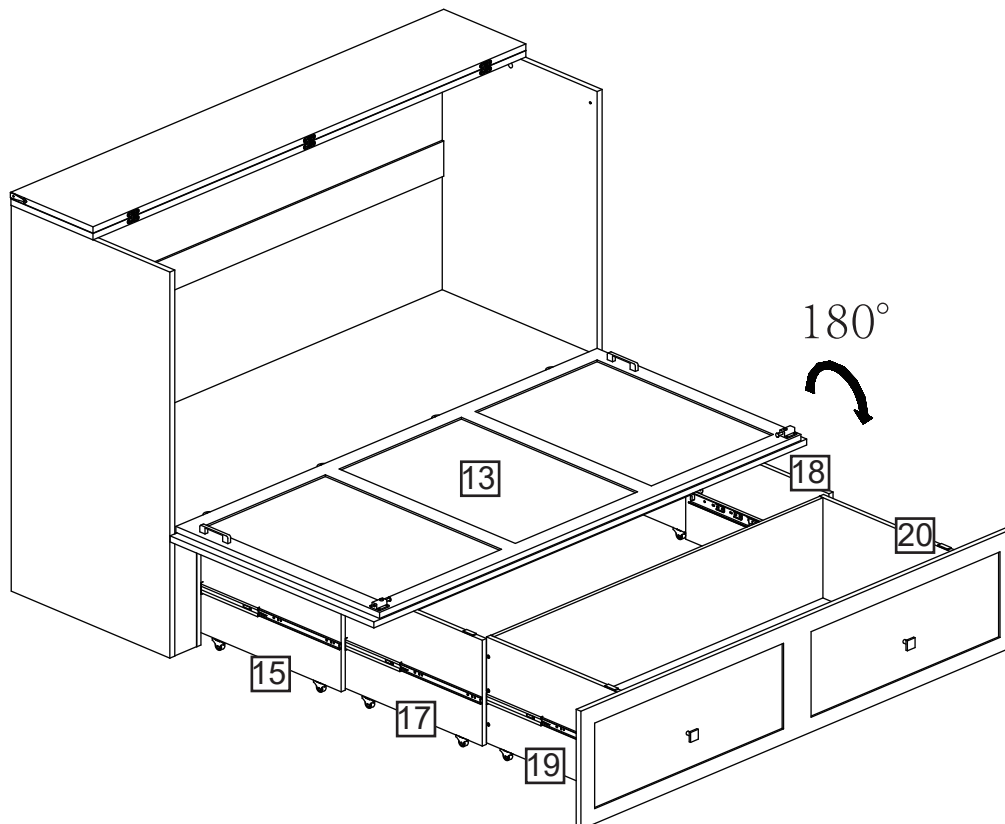
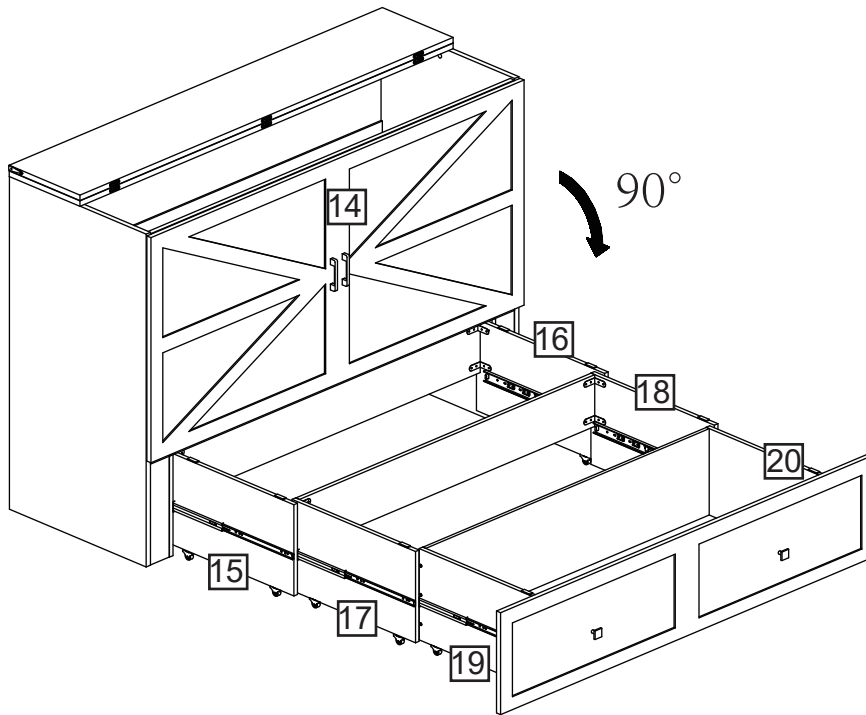
Assembly Instructions

Step 43



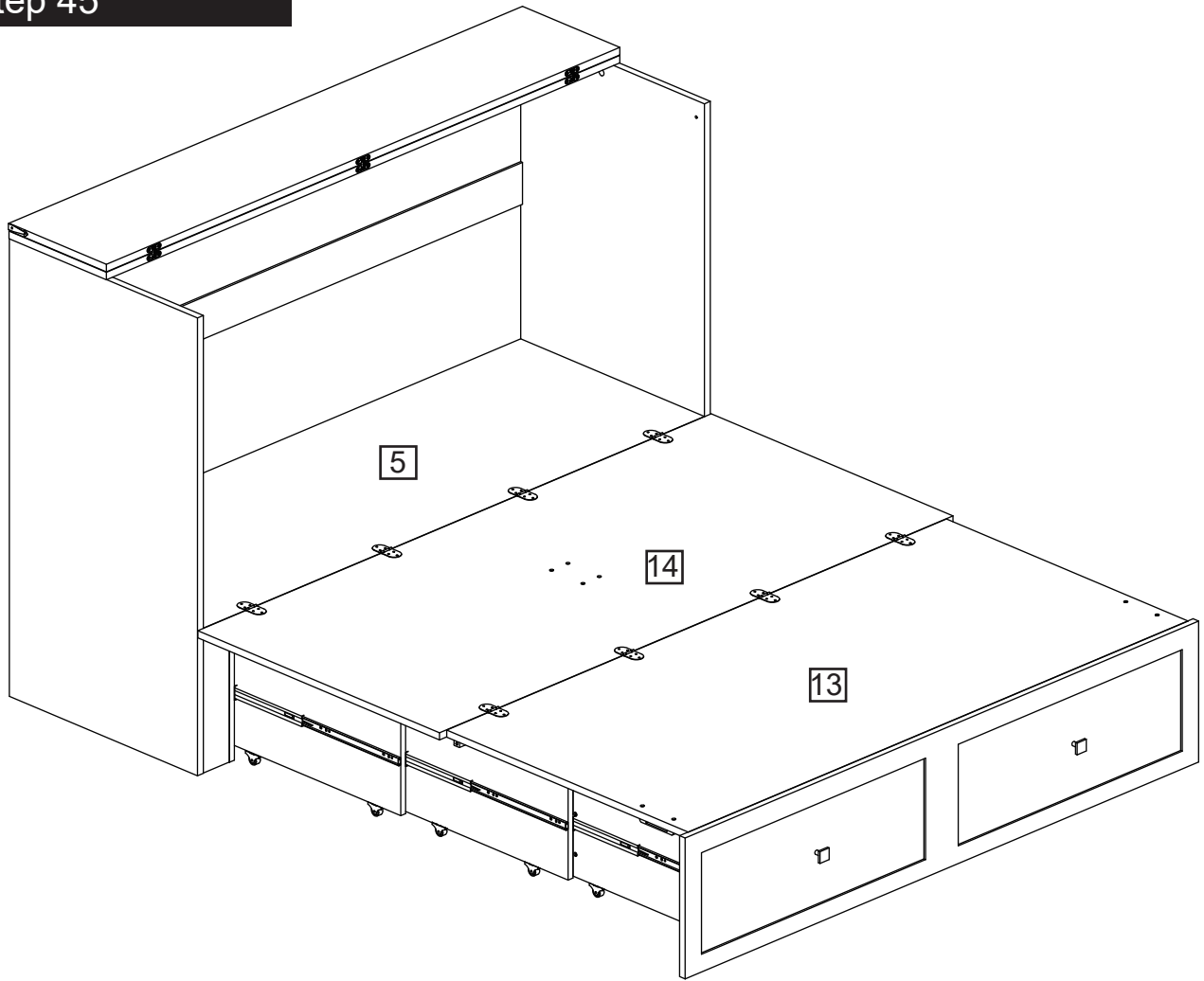
Assembly Instructions

Step 44



Assembly Instructions

Step 45



A Guide to Wall Mounting & Fixings

Important note:

If plastic wall plugs (rawl plugs) are supplied with your product, e.g.:



- these are only suitable for use in masonry walls.

If you are in any doubt about the correct wall plugs for your wall, seek professional advice.


Failure of the product due to using the incorrect fixings is the responsibility of the installer.



Important: when drilling into walls always check that there are no hidden wires or pipes etc.

Make sure that the screws and wall plugs being used are suitable for **supporting your unit**. **Consult a qualified tradesperson if you are unsure.**

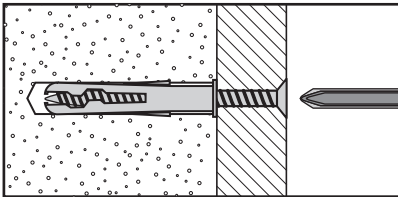
Hints:

- 1: General rule:  always use a larger screw and wall plug if you are not sure.
- 2: Ensure you use the recommended drill bit to match the wall plug and hole size.
- 3: Ensure you drill the hole horizontally; do not force the drill or enlarge the hole.
- 4: Take extra care when drilling high walls, ceilings and ceramic tiles. Ensure wall plugs are inserted beyond the thickness of the ceramic tiles to avoid the tiles splitting or cracking.
- 5: Ensure wall plugs are well fitted and are a tight fit in the drilled hole.

Types of walls

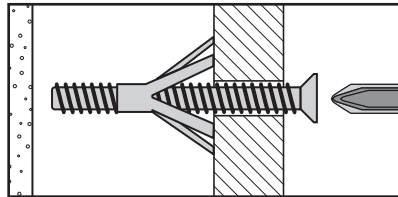
You can use one of the following types of wall plug if your walls are made of brick, breeze block, concrete, stone or wood.

No.1 "General Purpose" wall plug



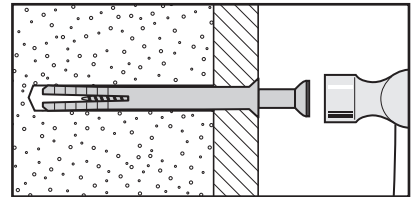
Generally aerated blocks should not be used to support heavy loads, use a specialist fitting in this case. For light loads, general purpose wall plugs can be used.

No.3 "Cavity Fixing" wall plug



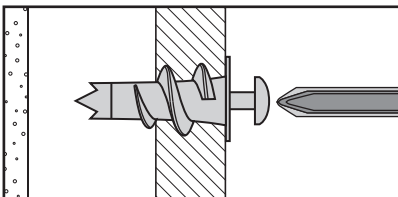
For use with plasterboard partitions or hollow wooden doors.

No.5 "Hammer Fixing" wall plug



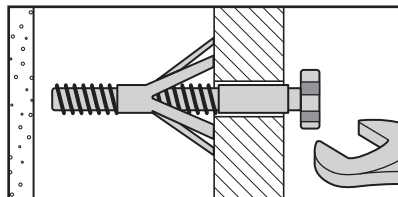
For use with walls stuck with plasterboard. The hammer fixing allows it to be fixed to the wall rather than the plasterboard. Always check the fixing is secure to the retaining wall.

No.2 "Plasterboard" wall plug



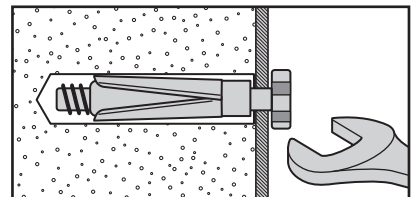
For use when attaching light loads onto plasterboard partitions.

No.4 "Cavity Fixing - Heavy Duty" wall plug



For use when fitting or supporting heavy loads such as shelving, wall cabinets and coat racks.

No.6 "Shield Anchor" wall plug - heavy loads



For use with heavier loads such as TV and HiFi speakers and satellite dishes etc.



Care & Maintenance

Safety: always check the fitting and location to ensure your safety in and around the home.

Fitting: from time to time check the fitting to ensure the wall plugs or screws do not become loose.