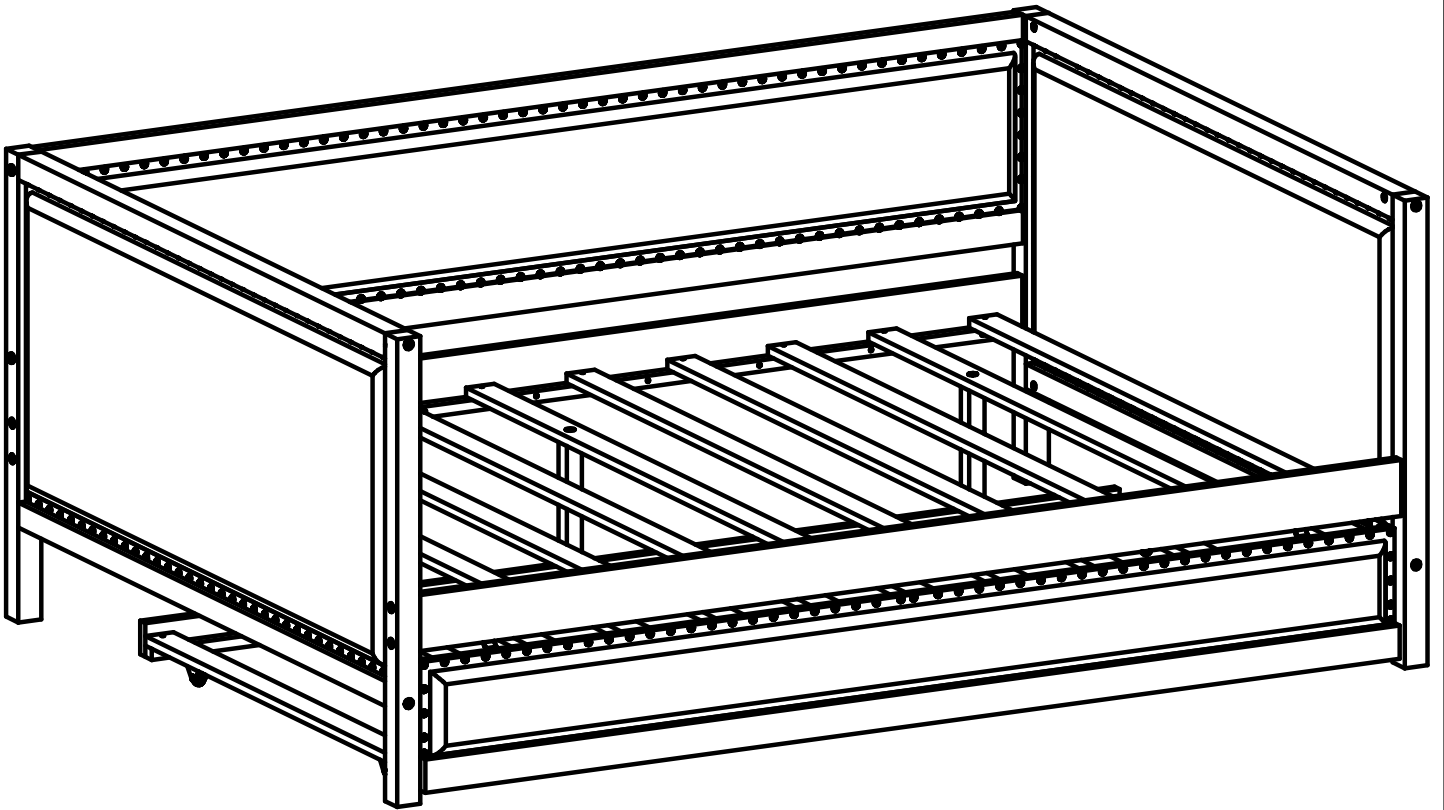
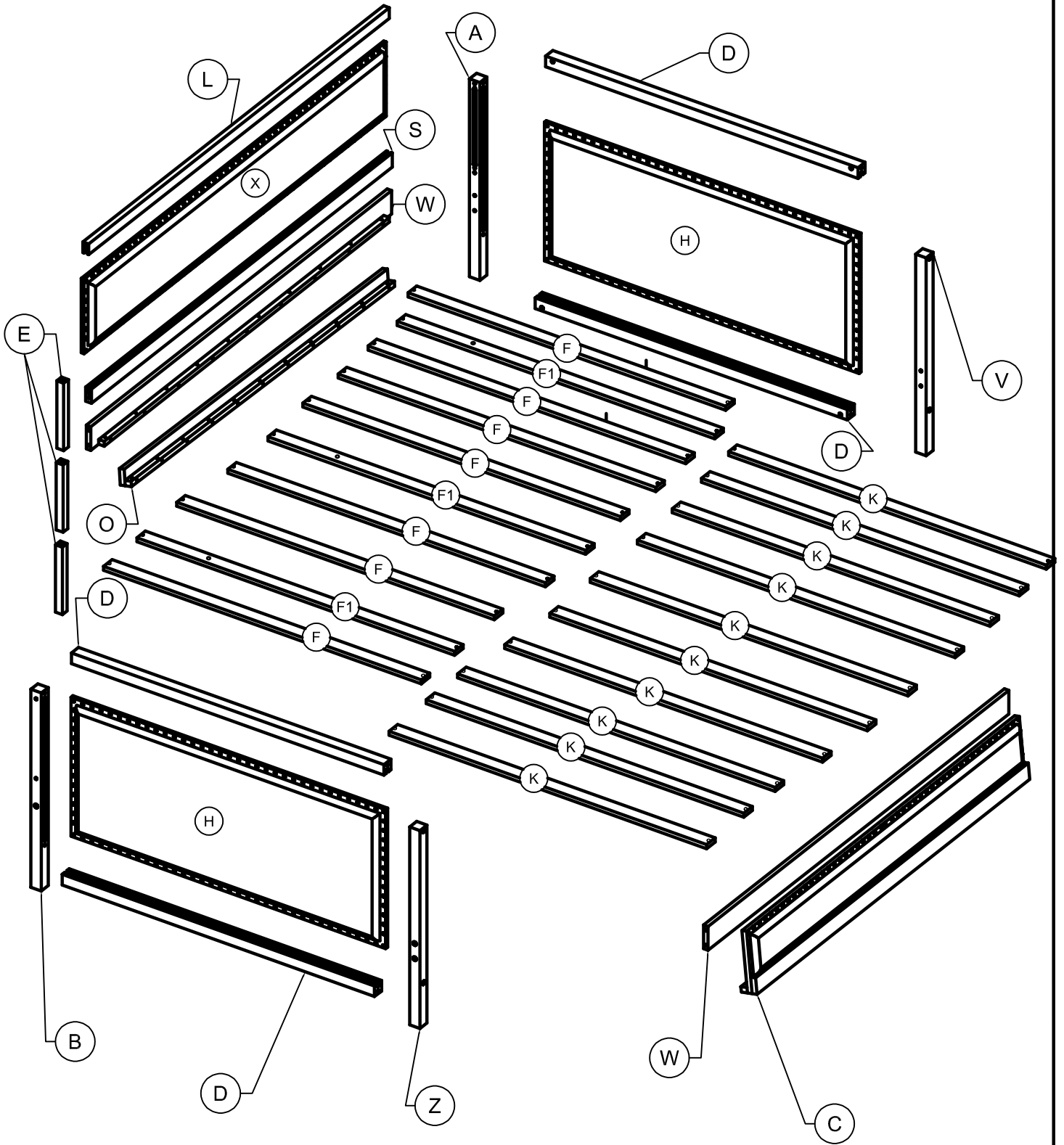


ASSEMBLY INSTRUCTION

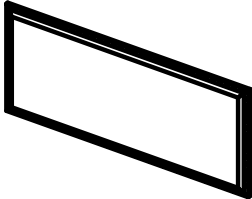


ASSEMBLY INSTRUCTION



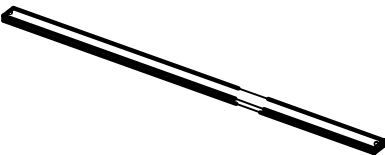
Part List

H



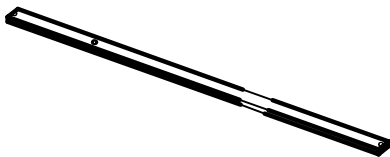
Side Rails - 2pcs

F



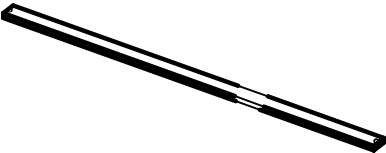
Slats - 7pcs

F1



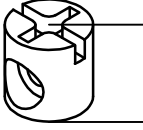
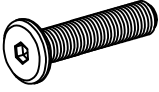
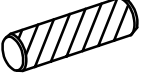
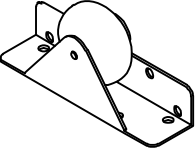
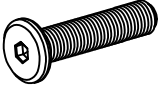





Slats - 3pcs

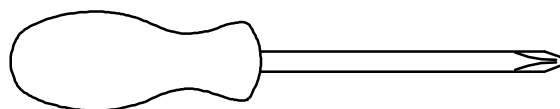
K



Slats - 10pcs



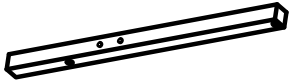









Hardware List

<p>1</p>  <p>Ø1/4" x 15 mm Horizontal-Hole bolts 20pcs</p>	<p>2</p>  <p>1/4" x 80mm Hex-Head bolts 20pcs</p>	<p>3</p>  <p>Ø8 x 30 mm Wood dowel 12pcs</p>
<p>4</p>  <p>Wheels 4psc</p>	<p>5</p>  <p>1/4" x 30mm Hex-Head bolts 3pcs</p>	<p>6</p>  <p>Plastic Drawer Stopper 2pcs</p>
<p>7</p>  <p>M4 x 15 mm Wood Screws 22pcs</p>	<p>8</p>  <p>M4 x 30 mm Wood Screws 40pcs</p>	<p>9</p>  <p>Allen Key 1pcs</p>
	<p>10</p>  <p>Steel Bracket 3pcs</p>	



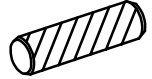


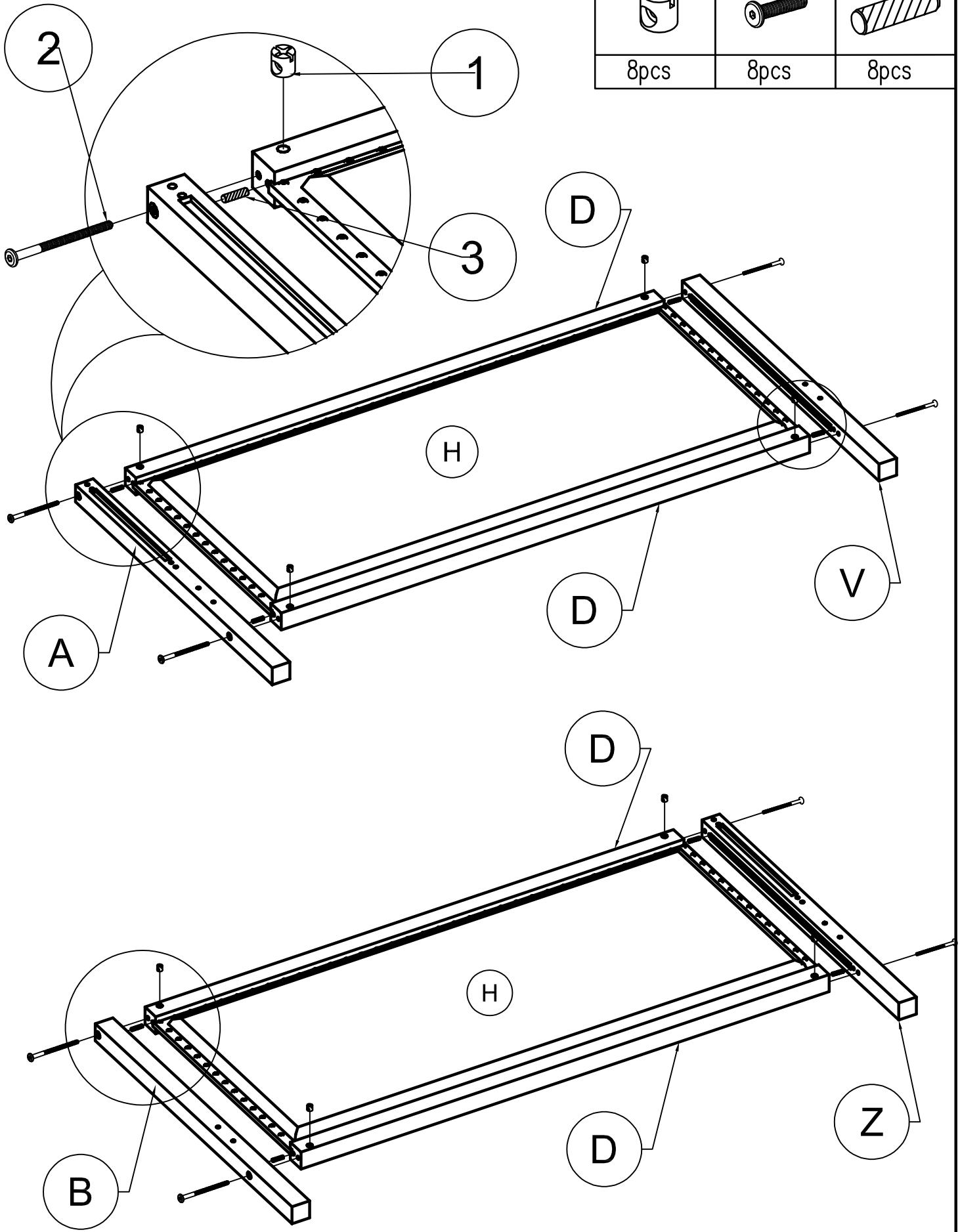
Assembly Tools Required (Not Included)

Part List



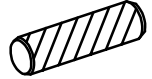
<p>A</p>  <p>Frontleg (R) - 1pcs</p>	<p>D</p>  <p>Horizontal Bars - 4pcs</p>	<p>V</p>  <p>Backleg(R) - 1pcs</p>
<p>E</p>  <p>Support Leg - 3pcs</p>	<p>B</p>  <p>Frontleg (L) - 1pcs</p>	<p>Z</p>  <p>BackLeg (L) - 1pcs</p>
<p>L</p>  <p>Horizontal Bar - Above- 1pcs</p>	<p>S</p>  <p>Horizontal Bar - Below - 1pcs</p>	<p>W</p>  <p>Side Panel - 2pcs</p>
<p>X</p>  <p>Lean Back - 1pcs</p>	<p>O</p>  <p>Side Panel - 1pcs</p>	<p>C</p>  <p>Trundle - Front Panel - 1pcs</p>

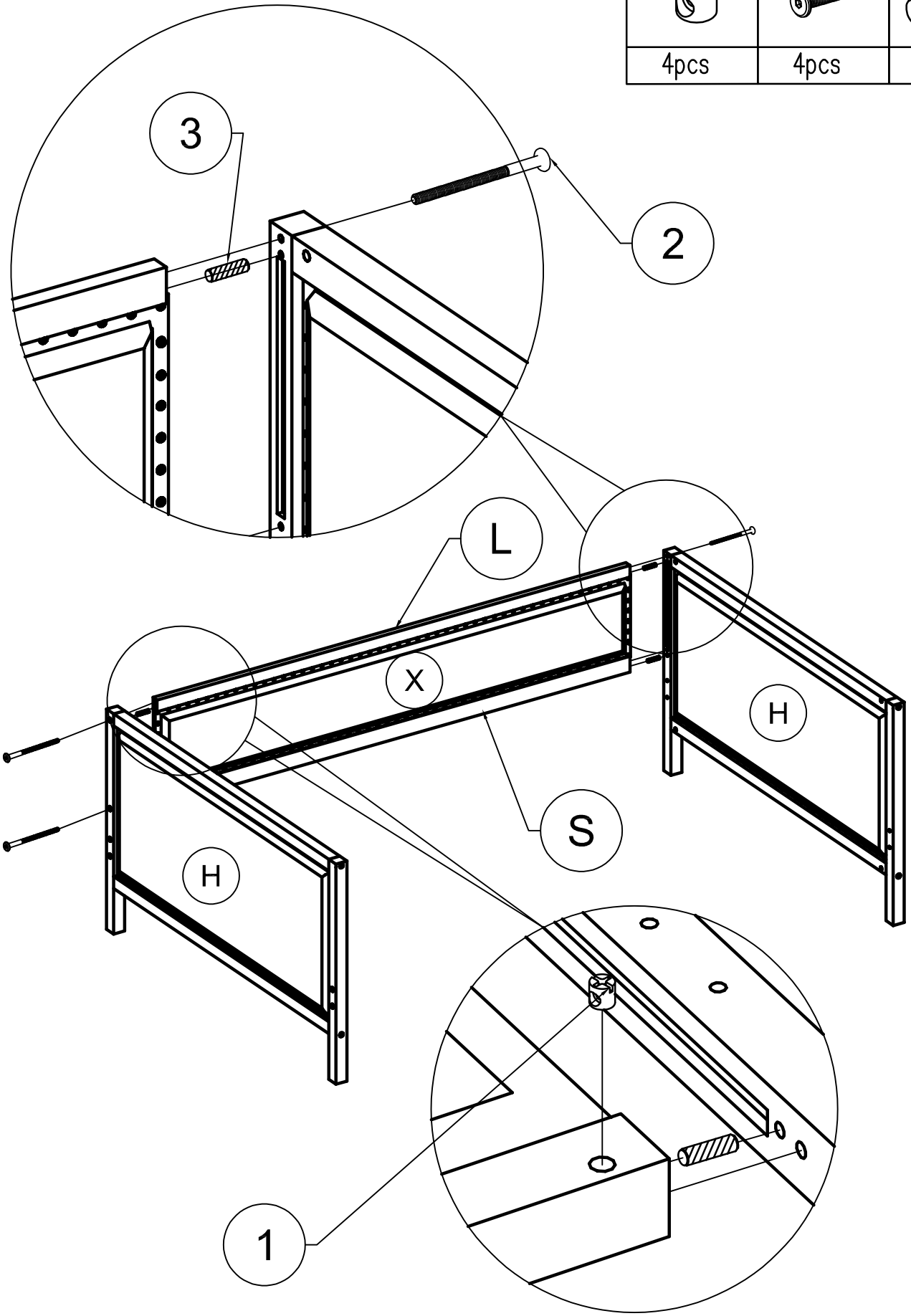
STEP 1: Following below illustration:

1	2	3
		
8pcs	8pcs	8pcs







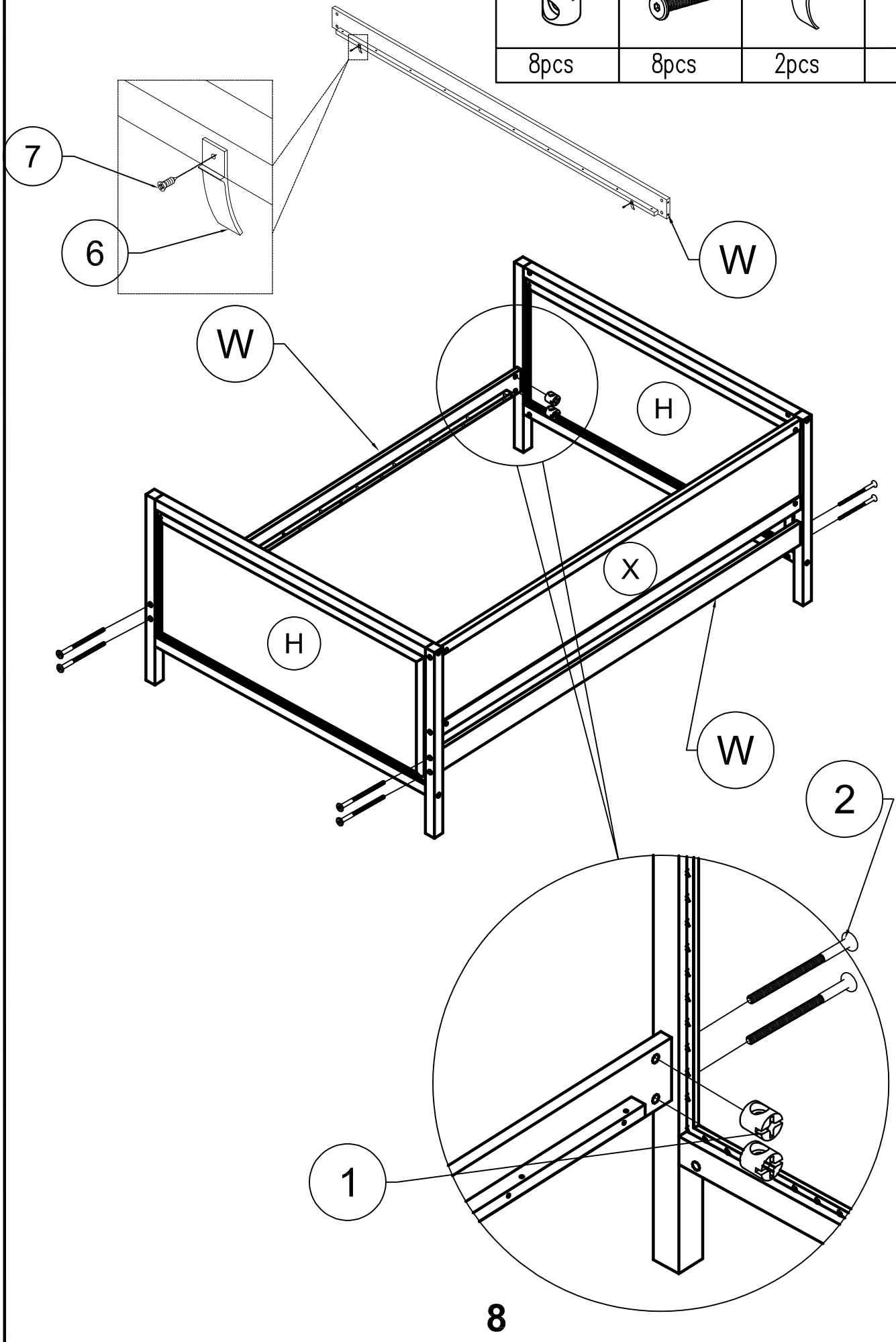
STEP 2: Following below illustration:

1	2	3
		
4pcs	4pcs	4pcs





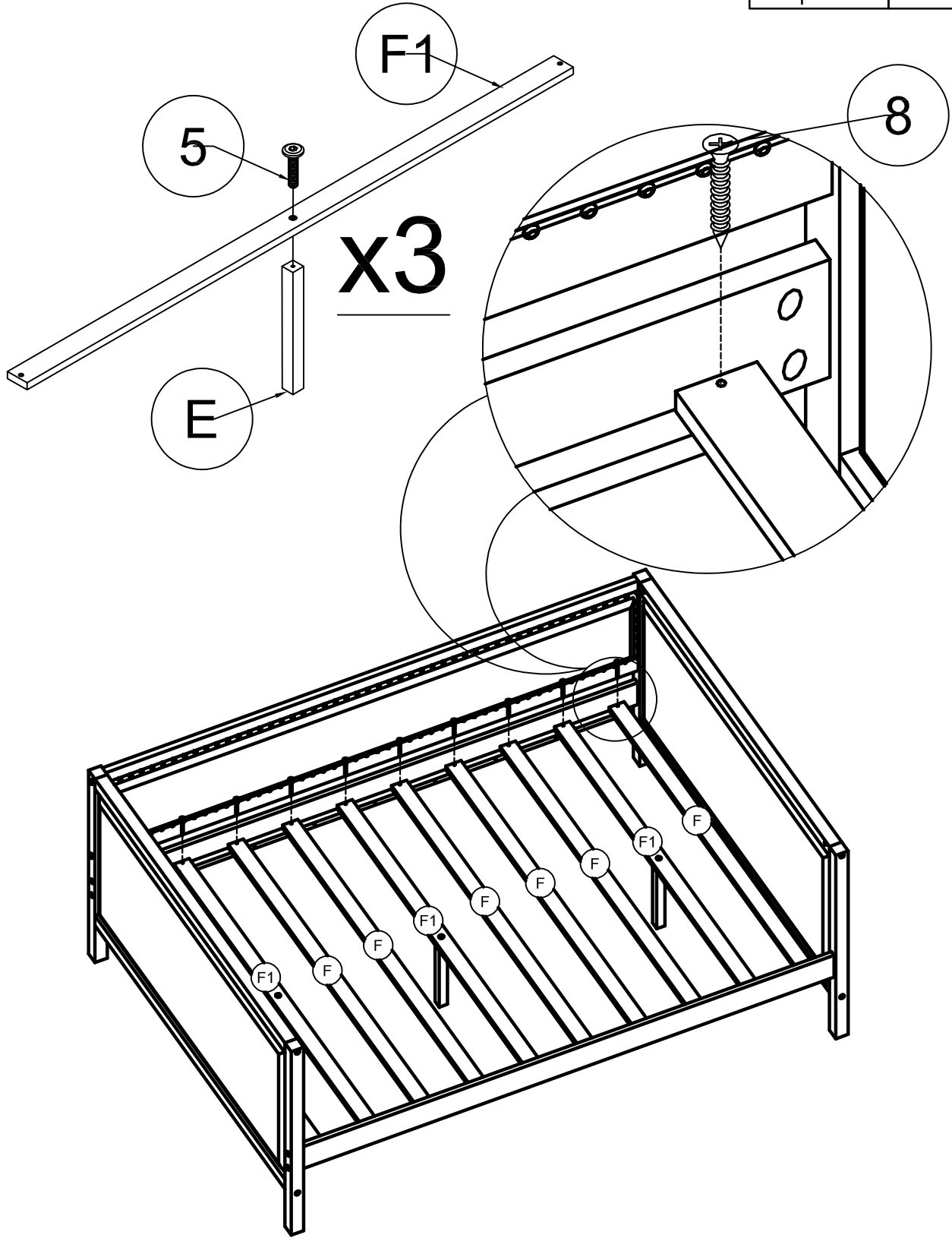
STEP 3: Following below illustration:

1	2	6	7
			
8pcs	8pcs	2pcs	2pcs


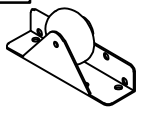


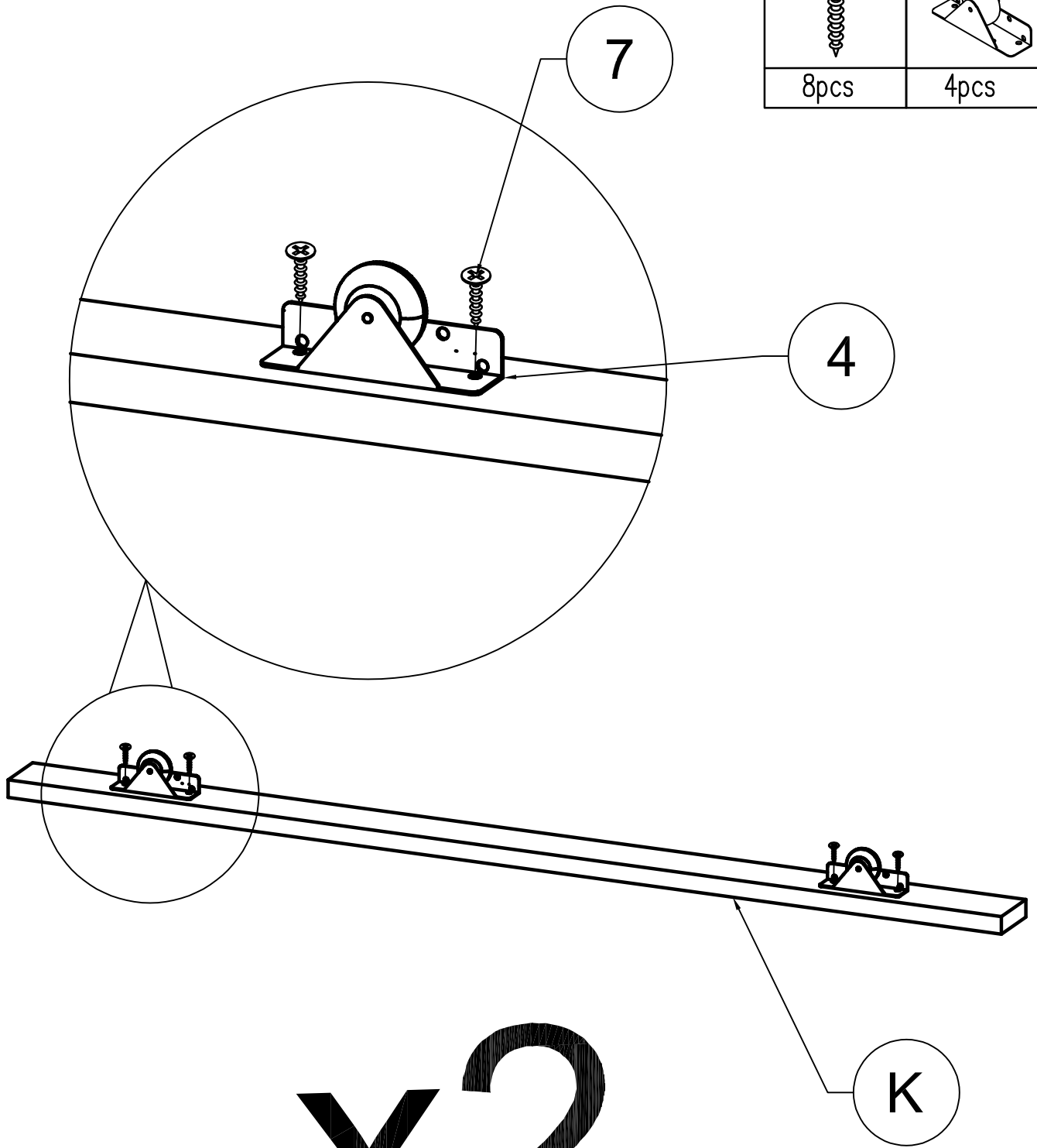
STEP 4: Following below illustration:

5	8
	
3pcs	20pcs



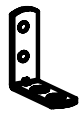


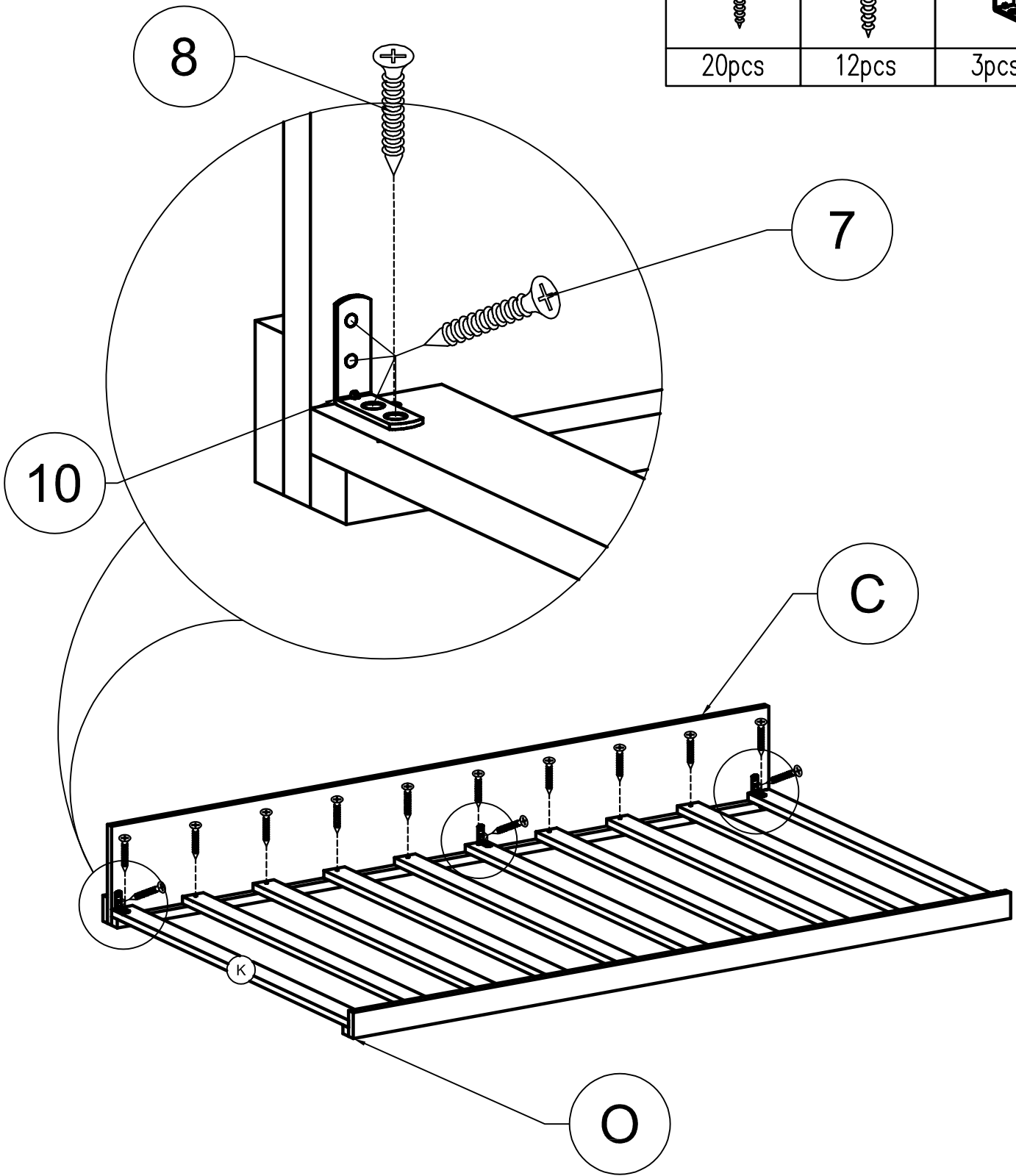
STEP 5: Following below illustration:

7	4
	
8pcs	4pcs



STEP 6: Following below illustration:

8		7		10	
20pcs		12pcs		3pcs	



FINISH

