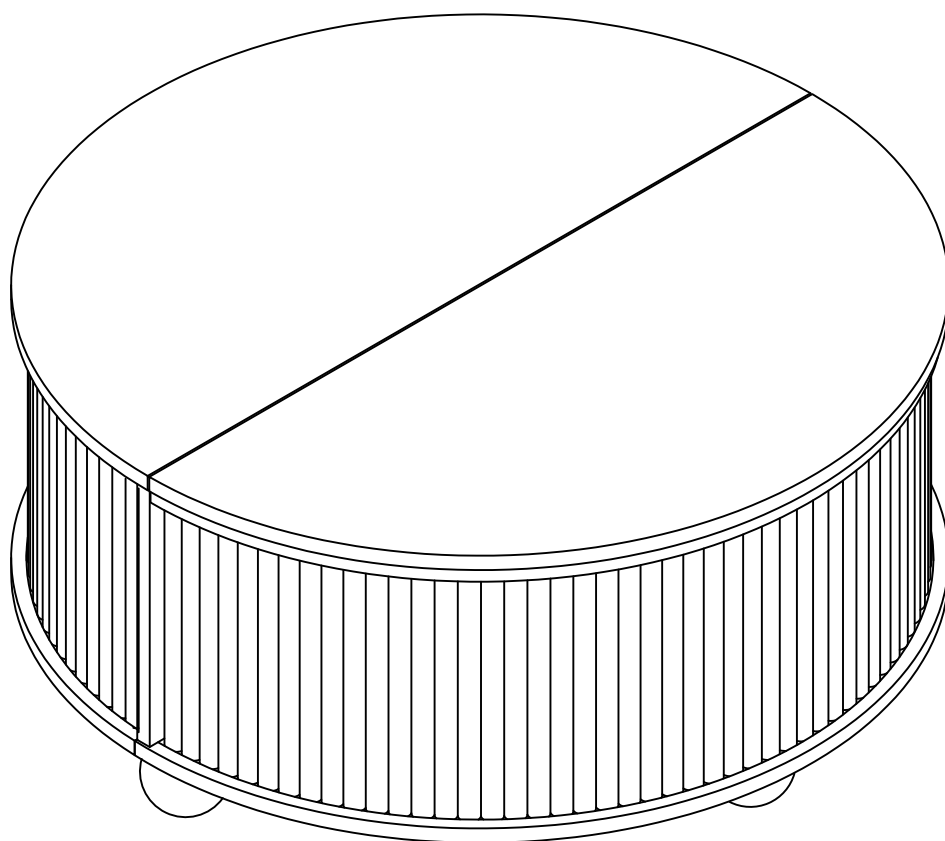


# Folding Coffee Table

Assembly Instruction



## INTRODUCTION

Thank you for purchasing our products. Please read the instructions carefully before installation and keep it in a safe place for future reference. If you need any assistance or support, please feel free to contact our customer support team.

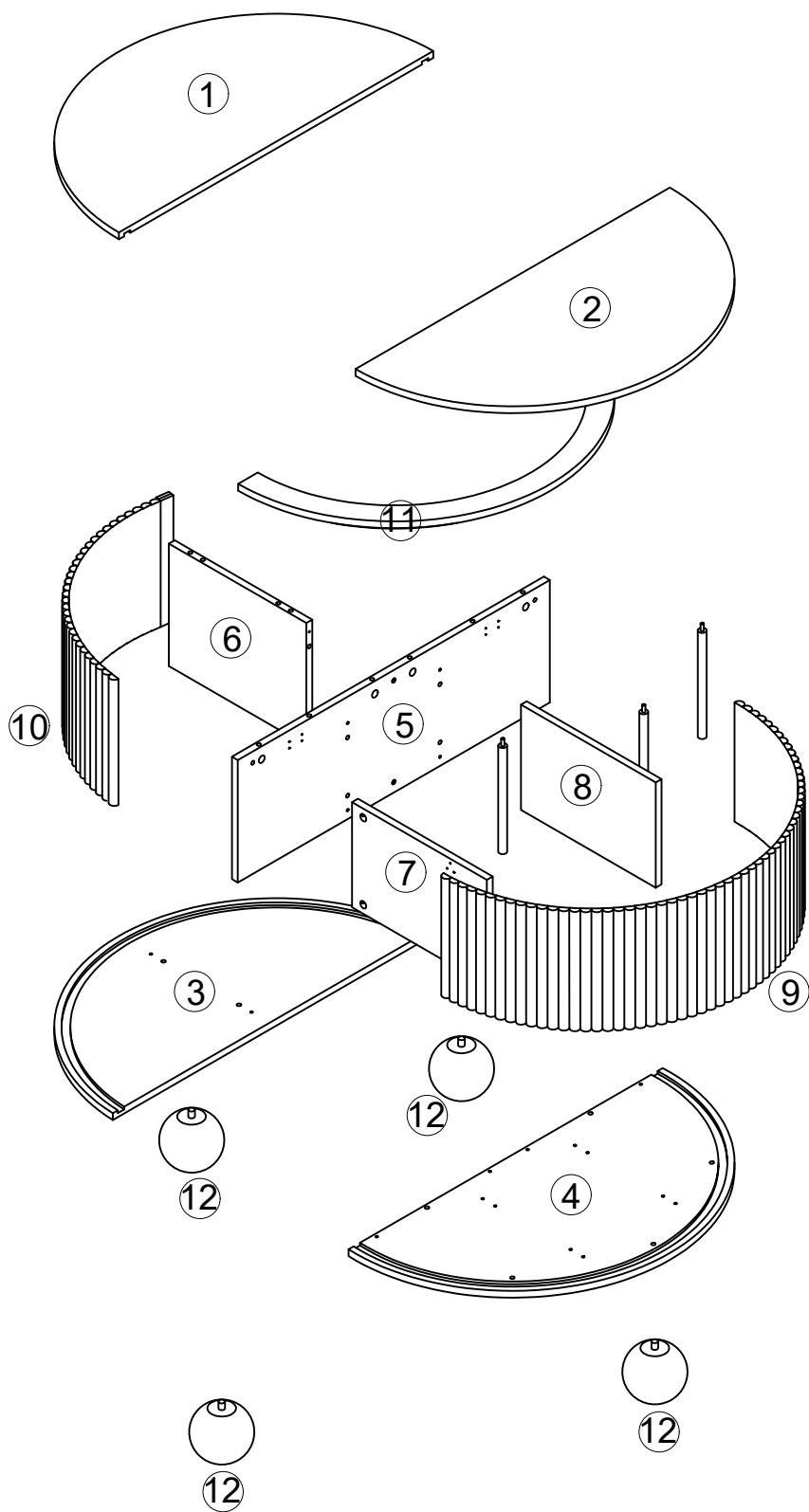
## PRECAUTIONS

1. There are many components and accessories in the package. Each component and accessory is labeled with a letter or a number, check carefully before using any of them. Keep them away from children to prevent accidents.
2. Please install the product on a clean and soft underlay (such as carpet or cardboard) to avoid scratching or damaging the surface of the product.
3. The main components of the product is relatively heavy. Please pay attention to safety during installation.
4. The product is not stable during installation. Please do not move it randomly before it is completely installed.
5. This product requires two people to install.
6. If you have any questions during installation, please contact the customer service in time.

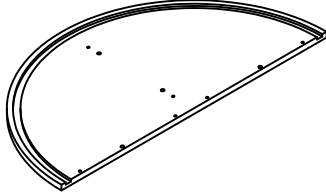
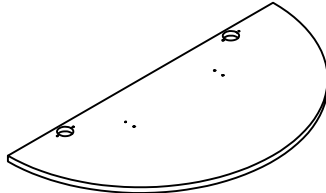
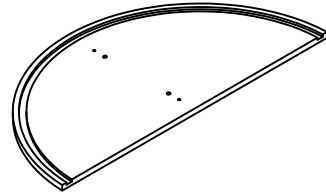
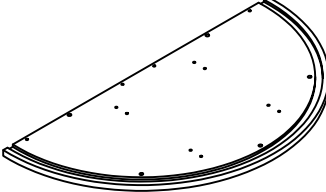
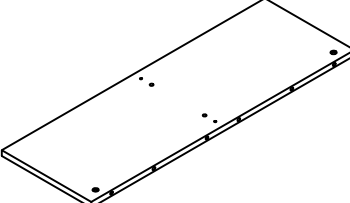
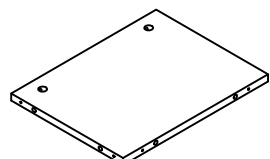
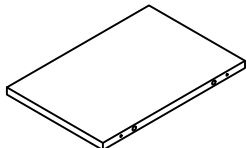
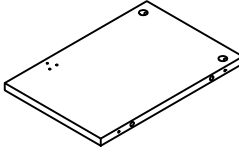
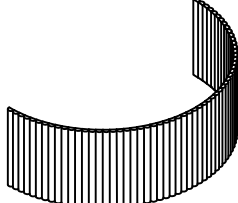
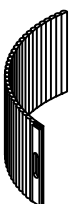
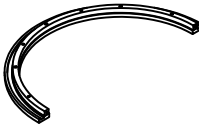
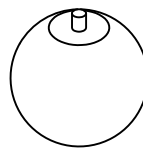
\*PLEASE BE SURE TO FOLLOW THE INSTALLATION STEPS IN THE MANUAL TO AVOID UNNECESSARY LOSSES CAUSED BY IMPROPER INSTALLATION.

\*IF YOU NEED FURTHER ASSISTANCE, PLEASE CONTACT THE CUSTOMER SERVICE ONLINE.






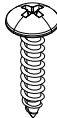
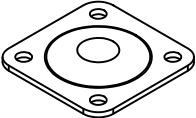

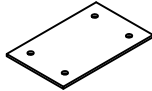
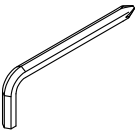
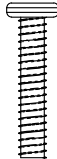

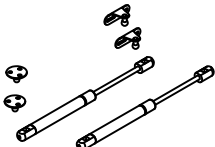

# Parts List



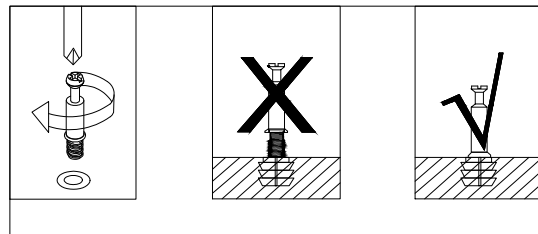
# Parts List

<p>①</p>  <p>X1</p>	<p>②</p>  <p>X1</p>	<p>③</p>  <p>X1</p>
<p>④</p>  <p>X1</p>	<p>⑤</p>  <p>X1</p>	<p>⑥</p>  <p>X1</p>
<p>⑦</p>  <p>X1</p>	<p>⑧</p>  <p>X1</p>	<p>⑨</p>  <p>X1</p>
<p>⑩</p>  <p>X1</p>	<p>⑪</p>  <p>X1</p>	<p>⑫</p>  <p>X4</p>

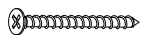
# Hardware List

<p><b>A</b></p>  <p>Ø15X9.5mm X10</p>	<p><b>B</b></p>  <p>Ø6.5X35mm X10</p>	<p><b>C</b></p>  <p>Ø8X30mm X18</p>
<p><b>D</b></p>  <p>Ø4X35mm X12</p>	<p><b>E</b></p>  <p>Ø3.5X14mm X30</p>	<p><b>F</b></p>  <p>Ø4X14mm X16</p>
<p><b>G</b></p>  <p>48X48X1.2mm X4</p>	<p><b>H</b></p>  <p>Ø21 X18</p>	<p><b>I</b></p>  <p>60X38X1.3mm X2</p>
<p><b>J</b></p>  <p>4X65mm X1</p>	<p><b>K</b></p>  <p>M6X30mm X5</p>	<p><b>L</b></p>  <p>Ø16X239mm X3</p>
<p><b>M</b></p>  <p>X1set</p>	<p><b>N</b></p>  <p>Ø35 X2</p>	

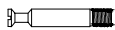
# STEP 1



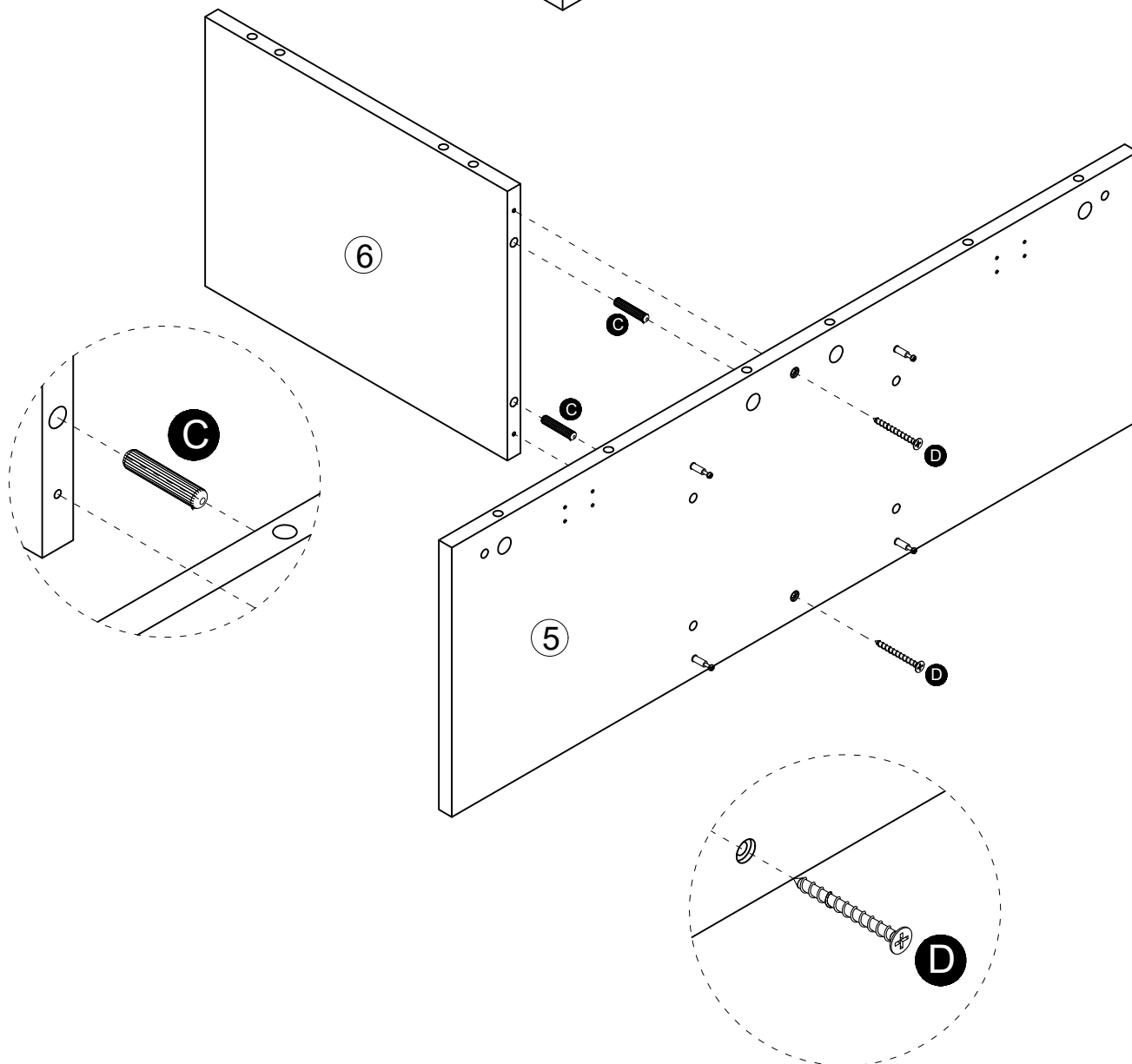
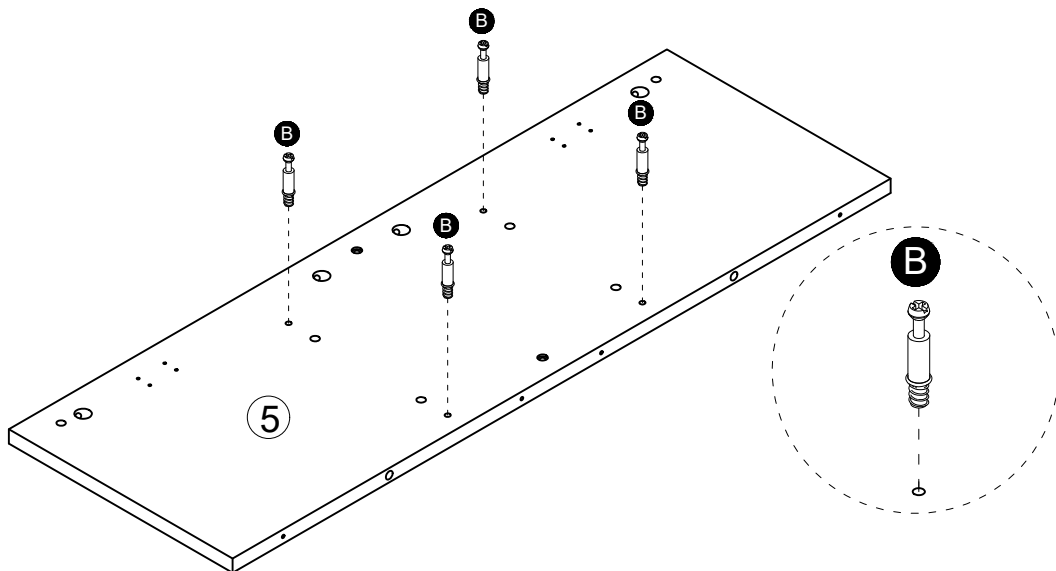
**C** X2



**D** X2

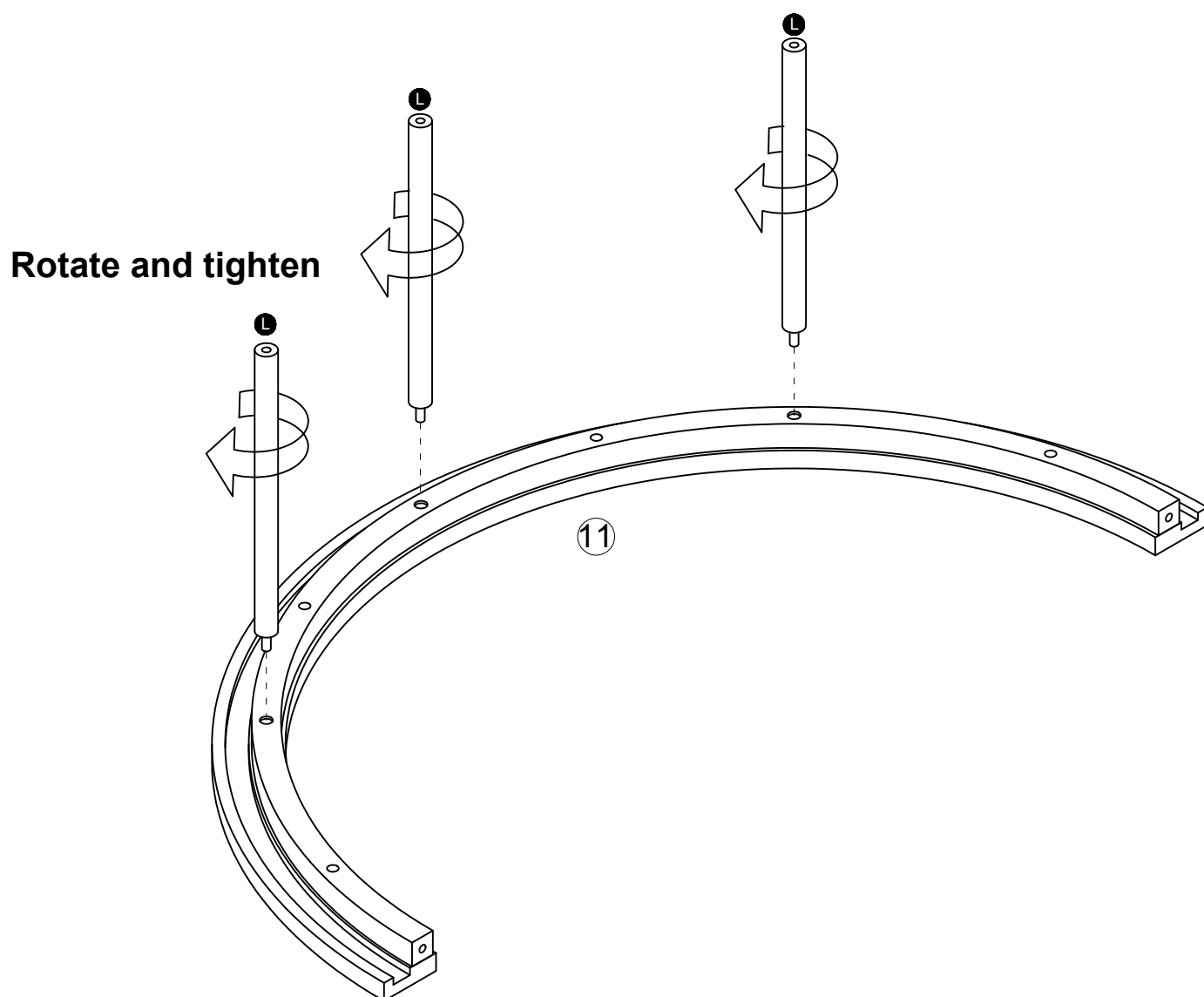


**B** X4



# STEP 2

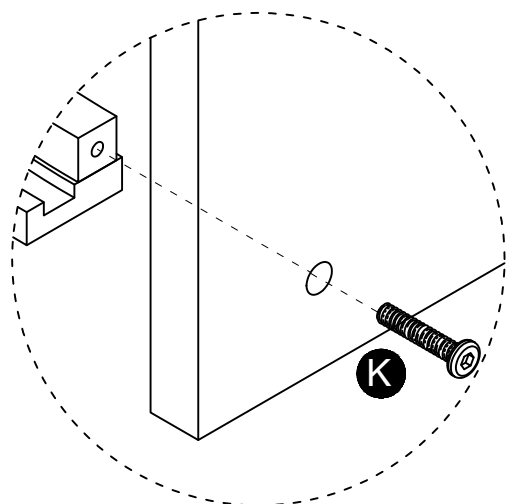
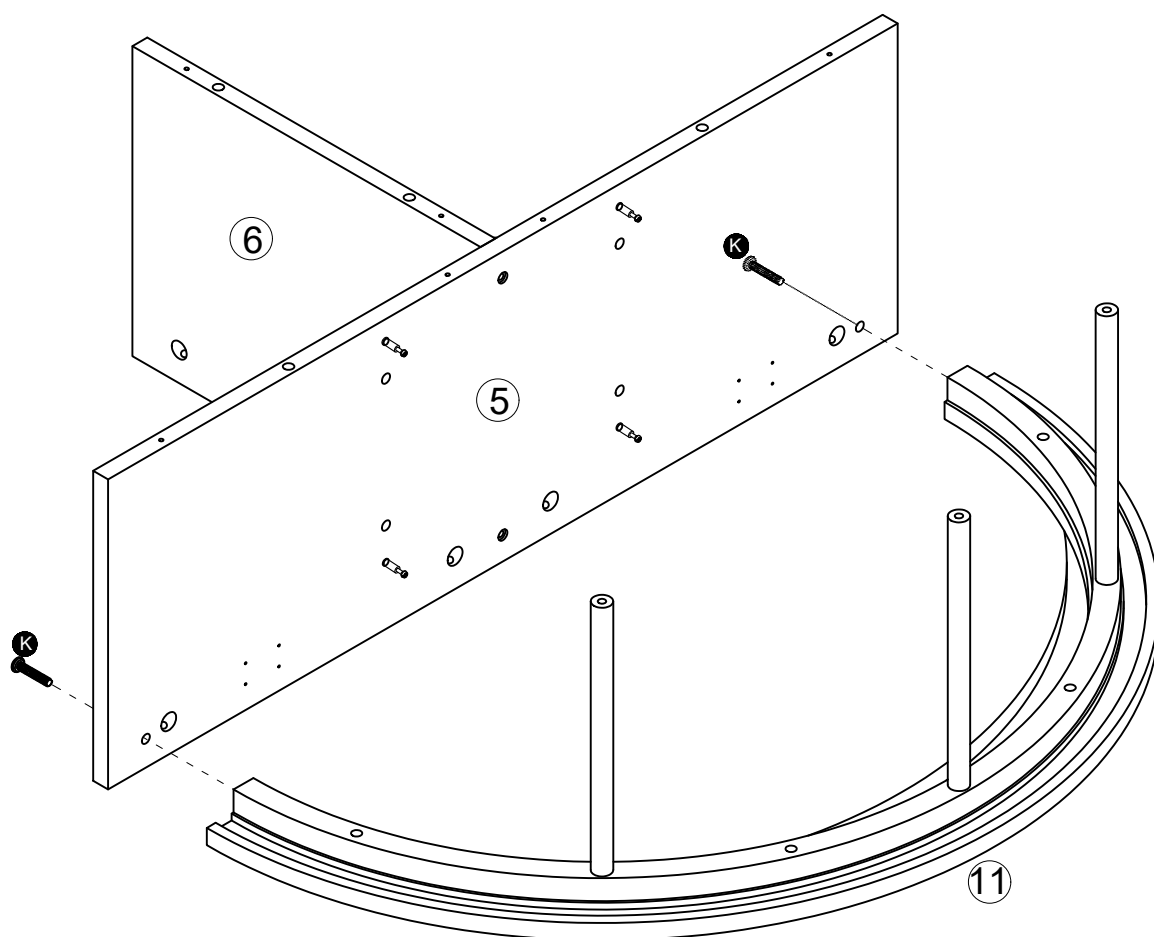
 **L** X3



# STEP 3



**K** X2



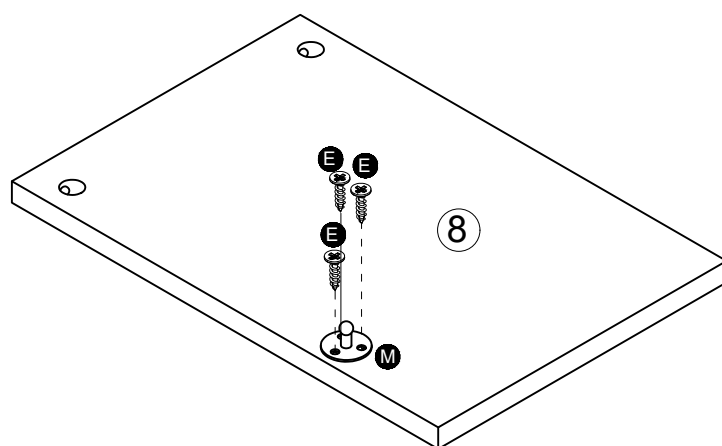
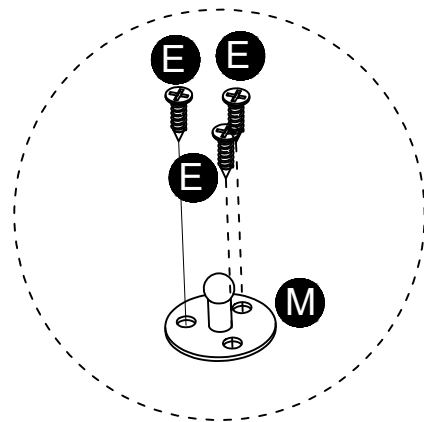
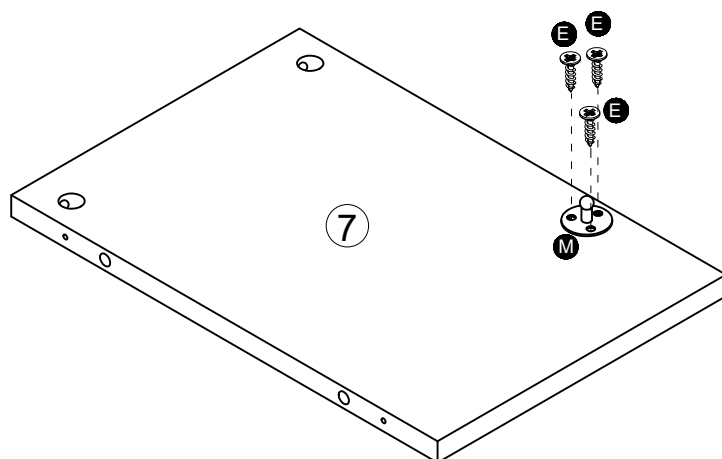
# STEP 4



**E** X6



**M** X1



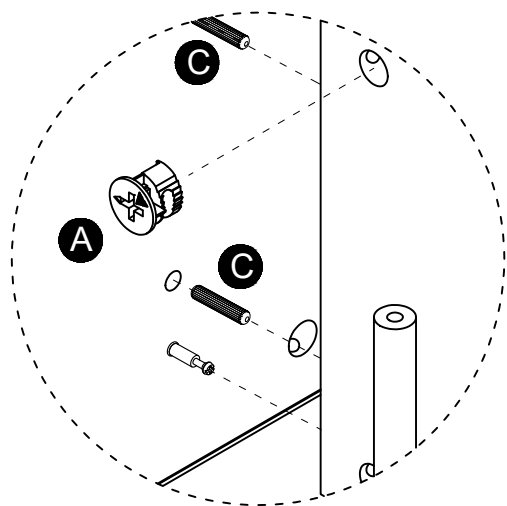
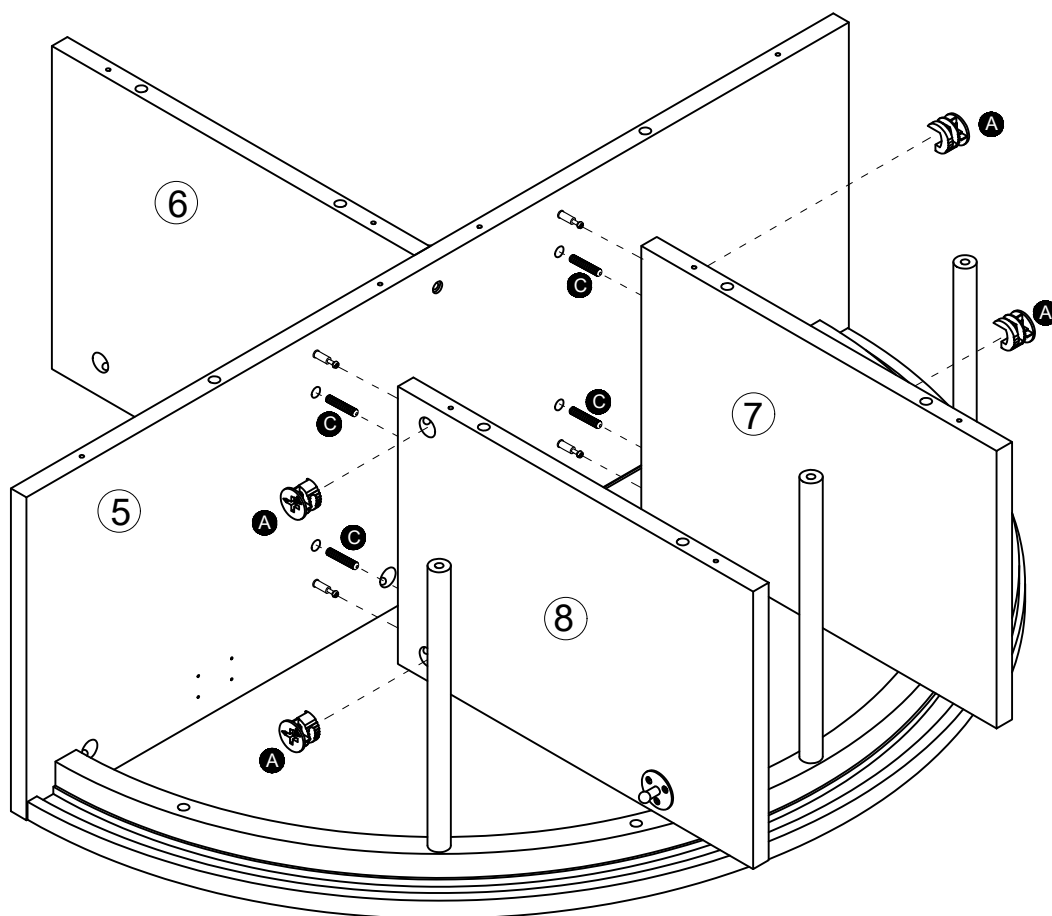
# STEP 5



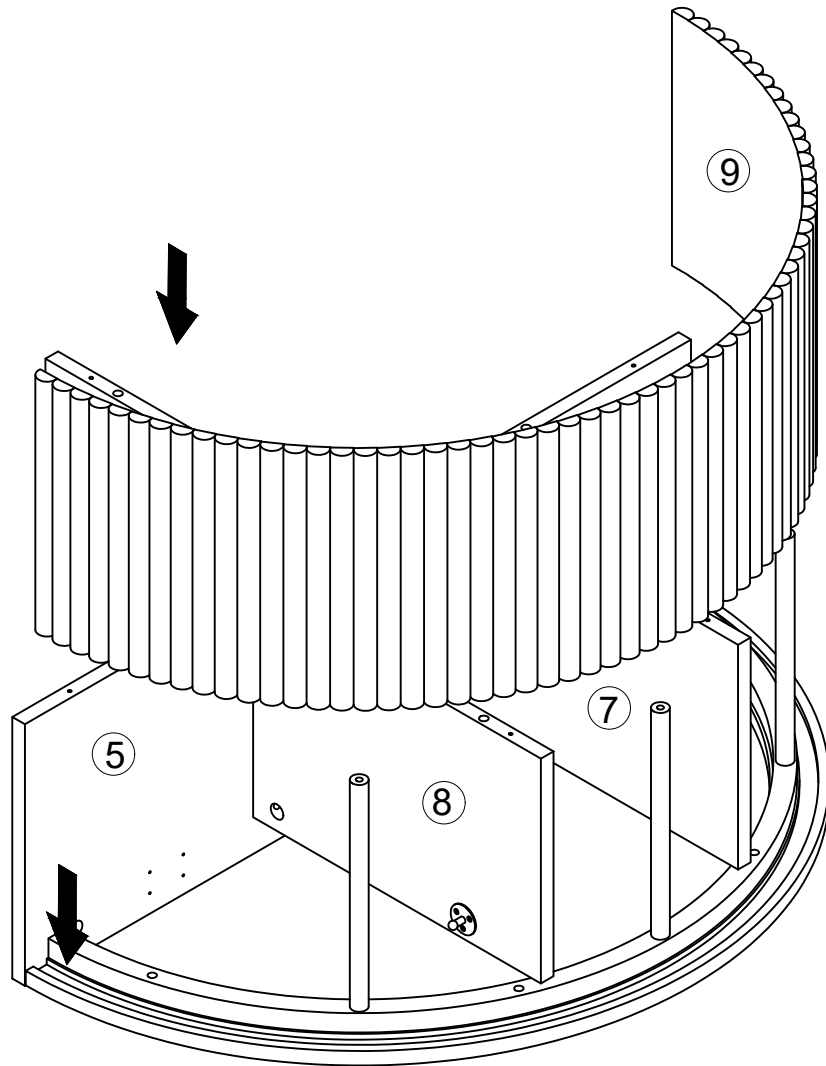
**A** X4



**C** X4



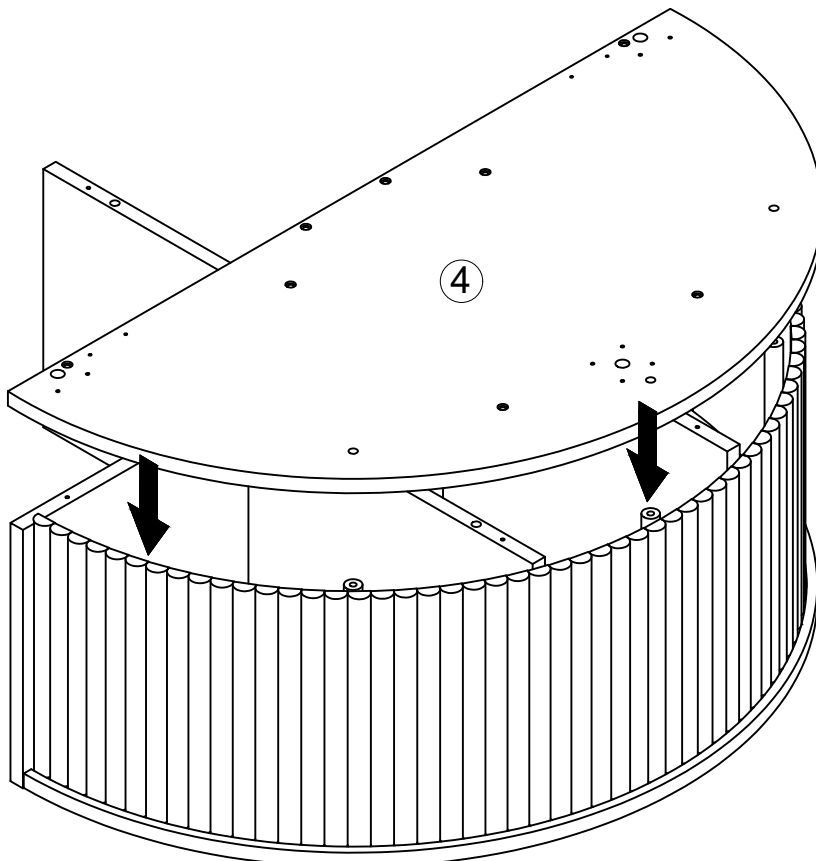
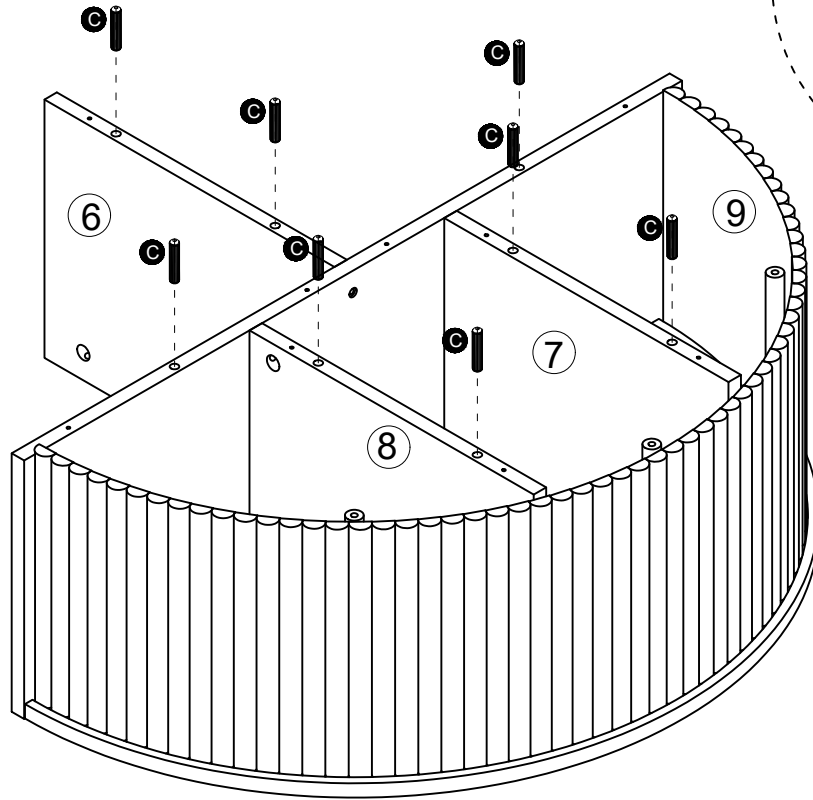
# STEP 6



# STEP 7



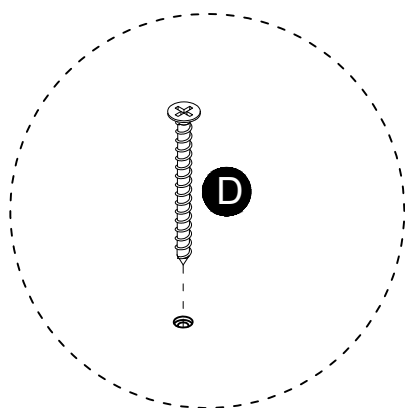
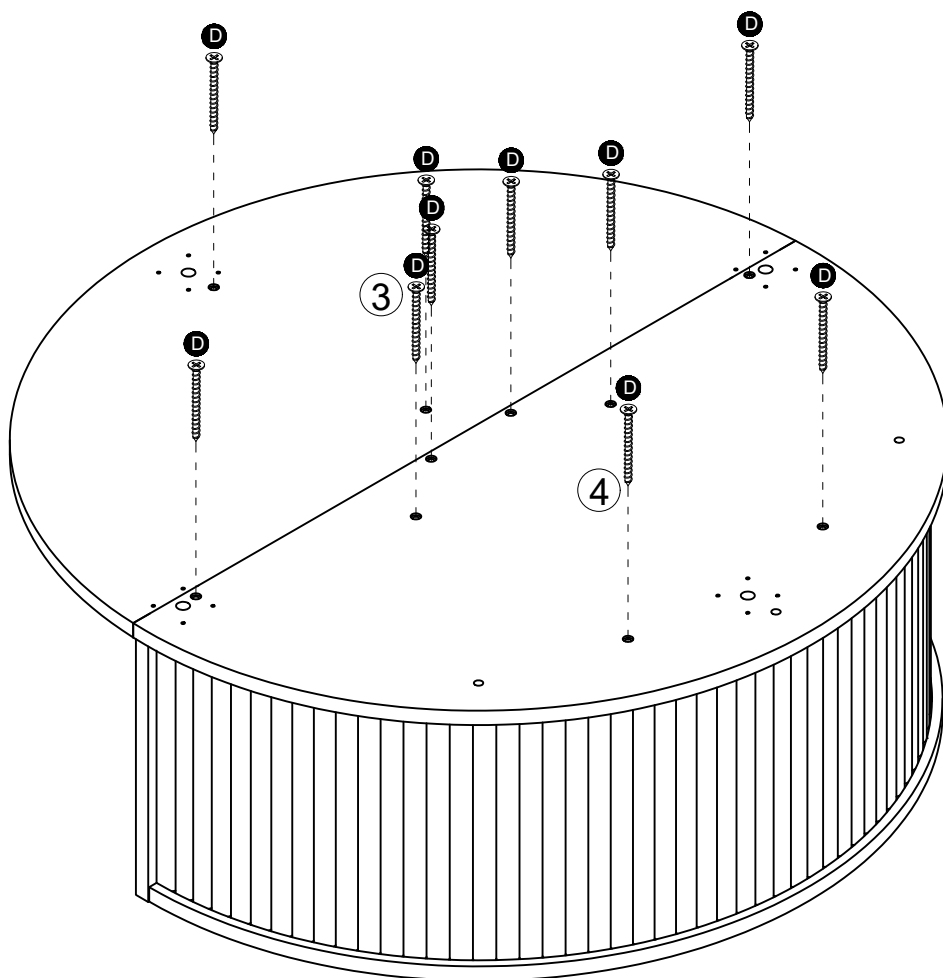
C X8



# STEP 8



**D** X10



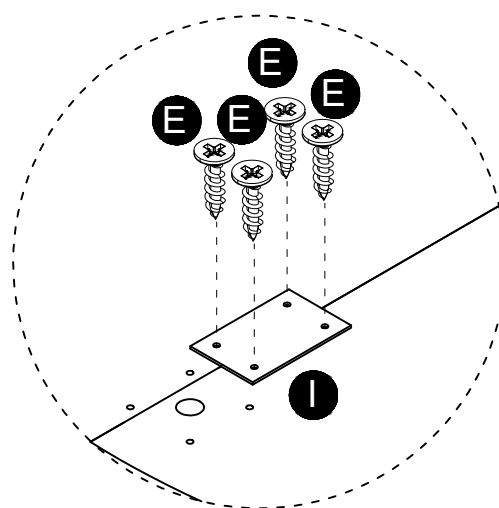
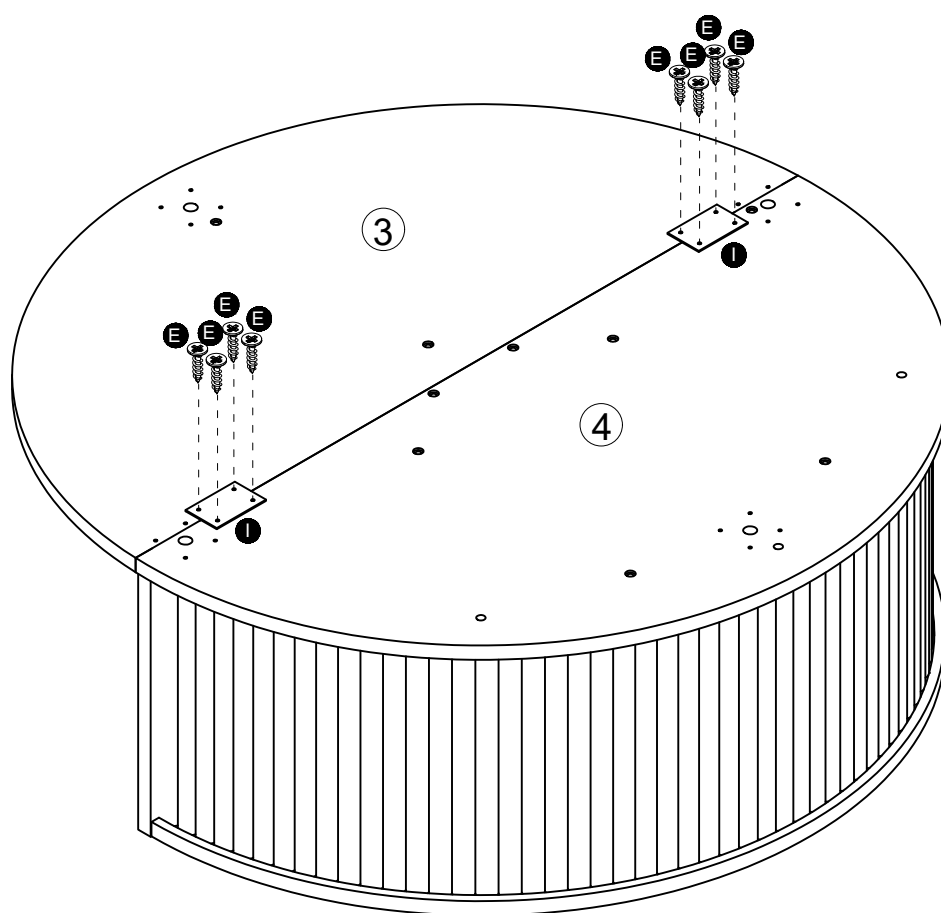
# STEP 9



**E** X8



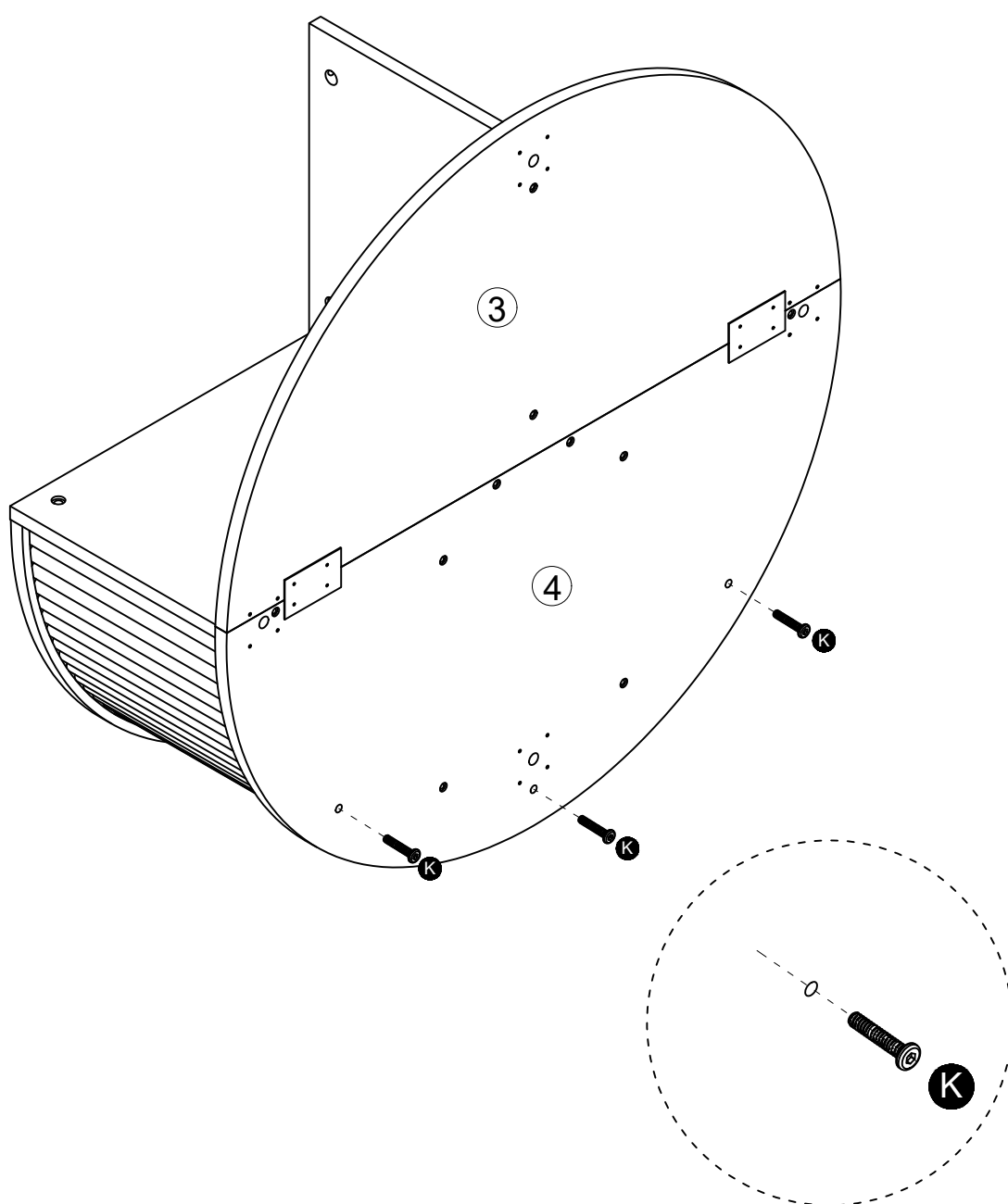
**I** X2



# STEP 10



**K** X3



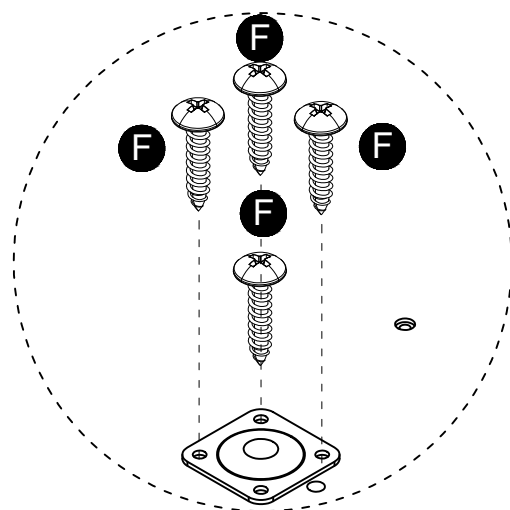
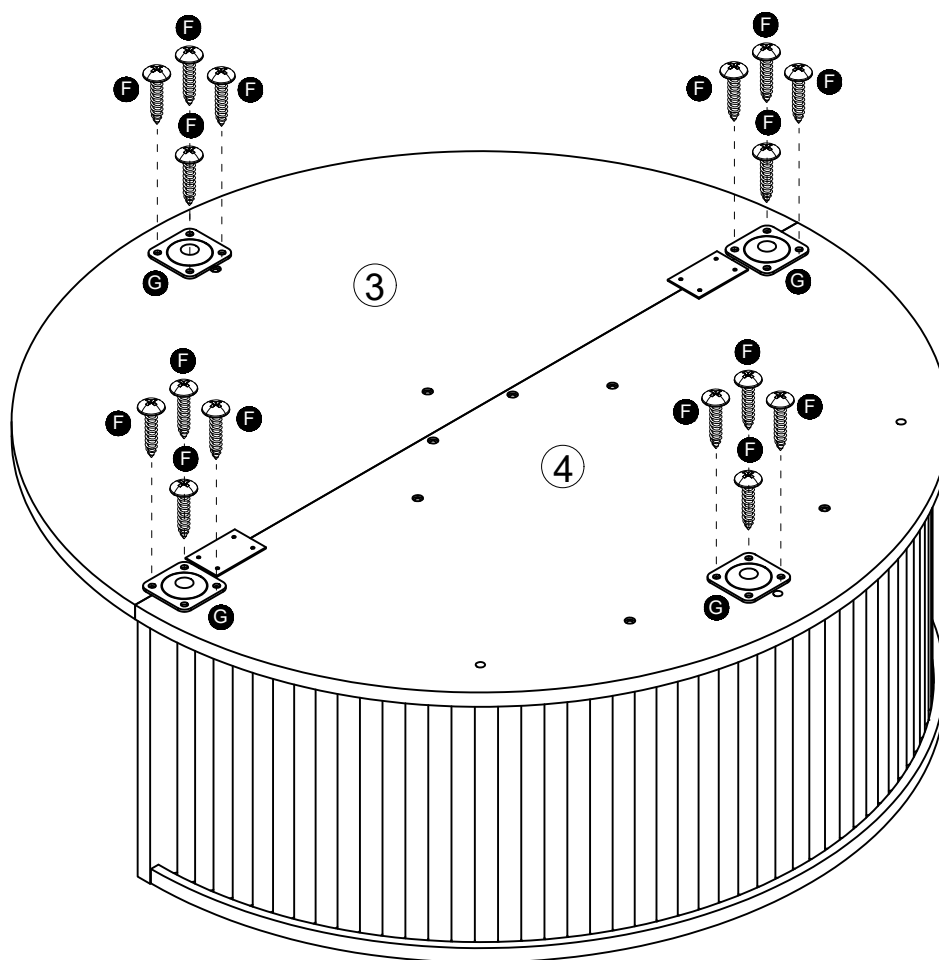
# STEP 11



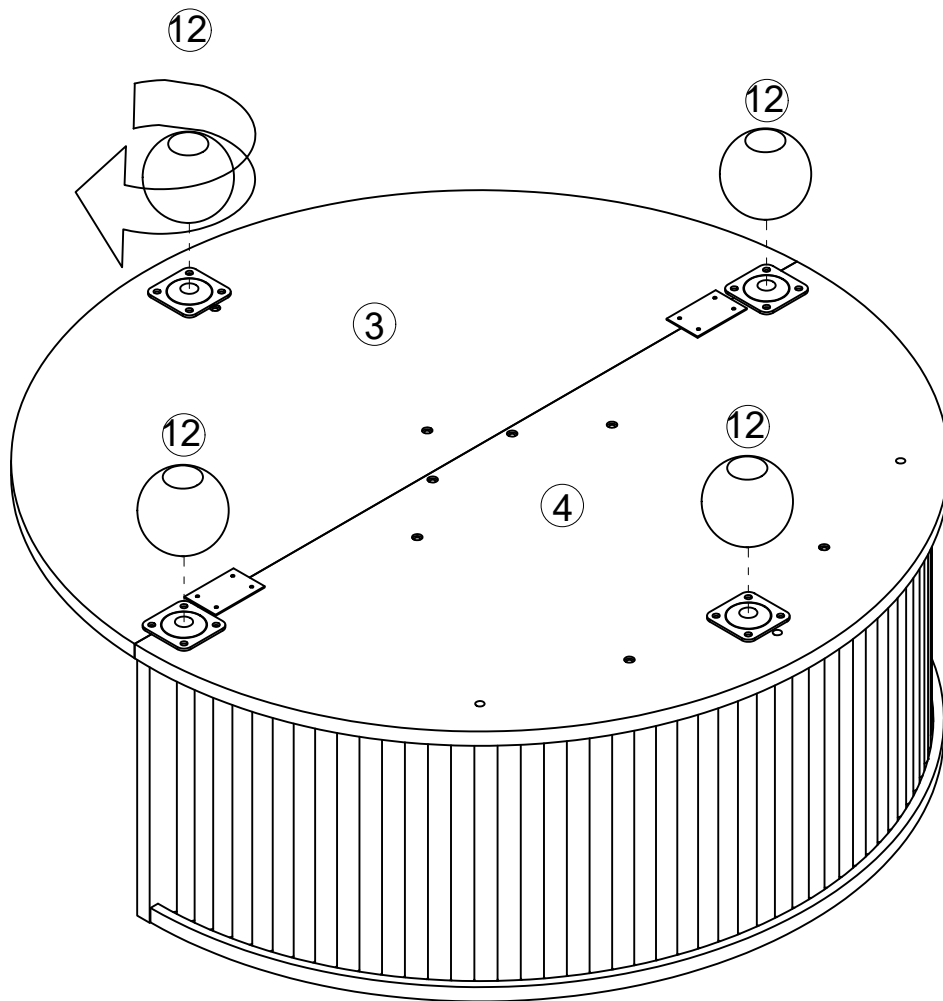
**F** X16



**G** X4



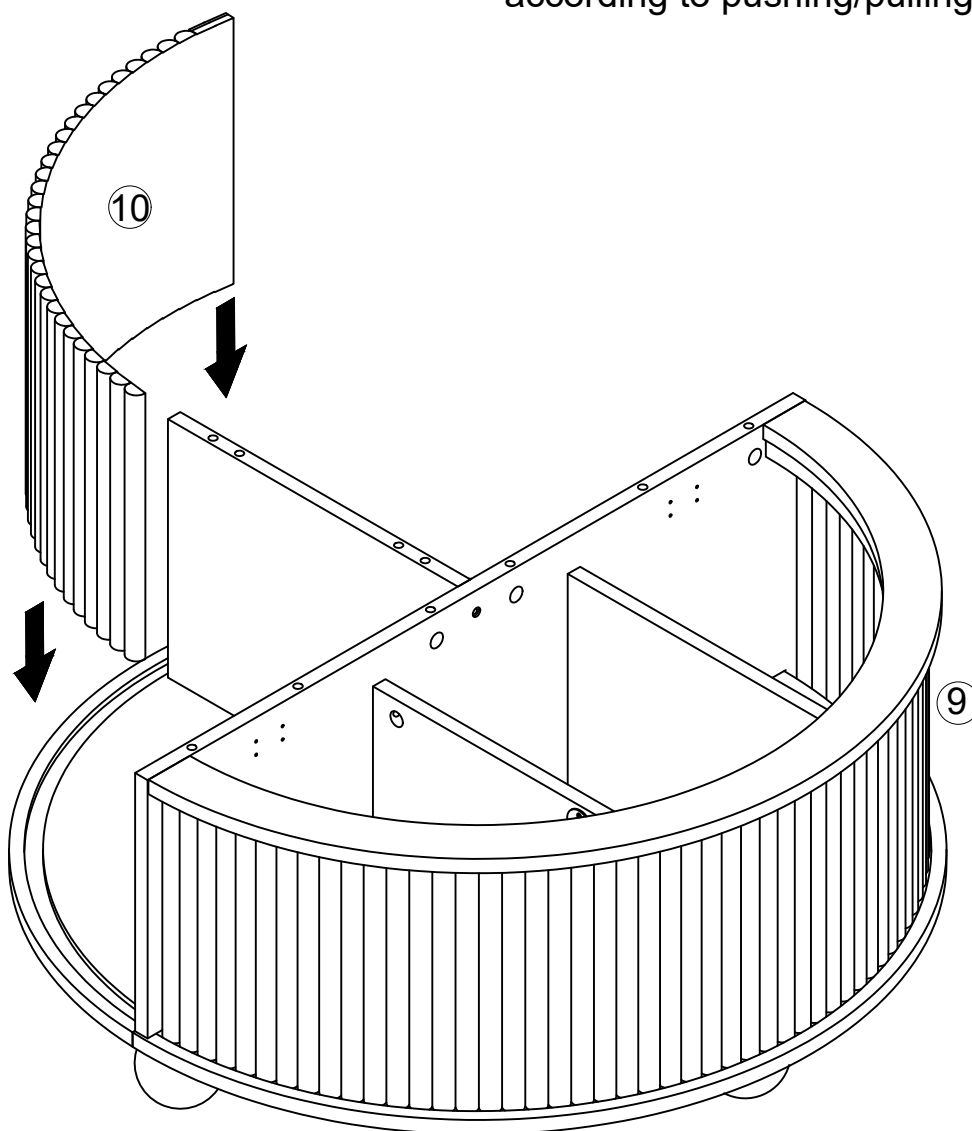
# STEP 12



# STEP13



No.10 movable roller blinds can be installed in reverse direction according to pushing/pulling habits



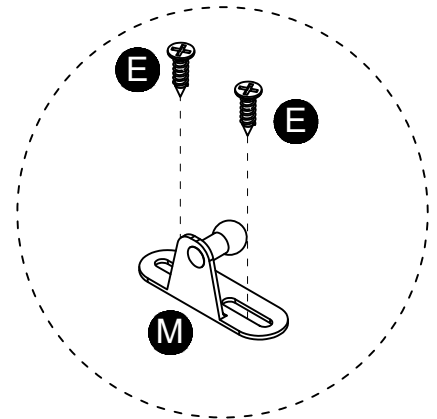
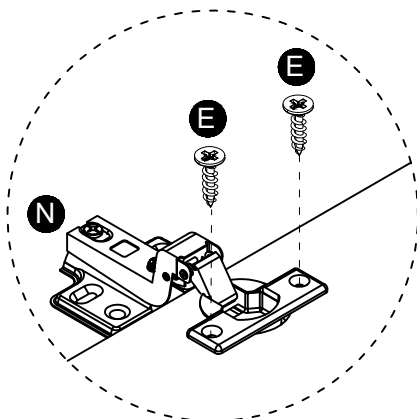
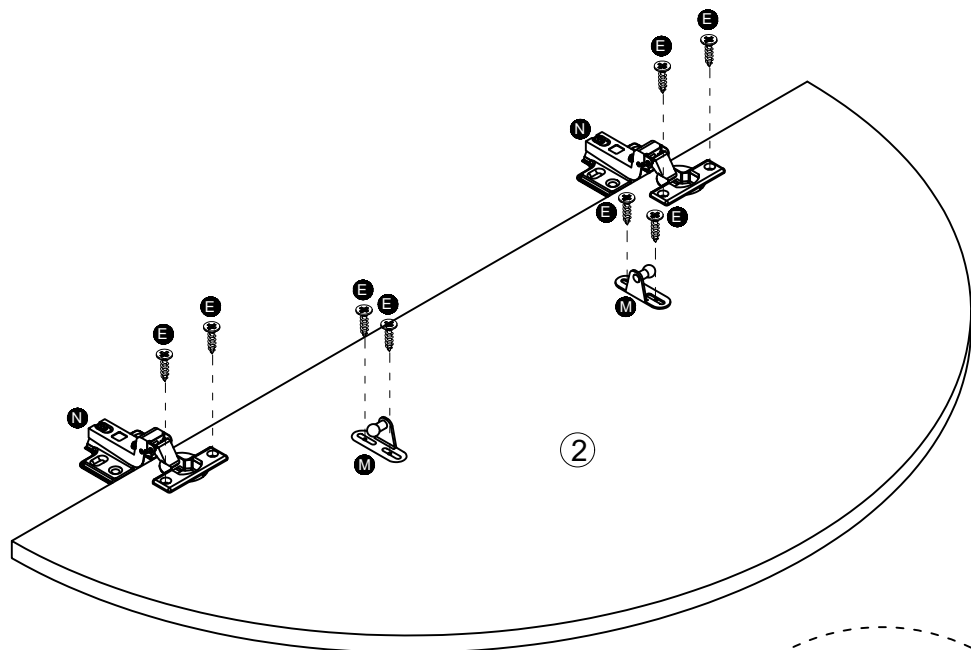
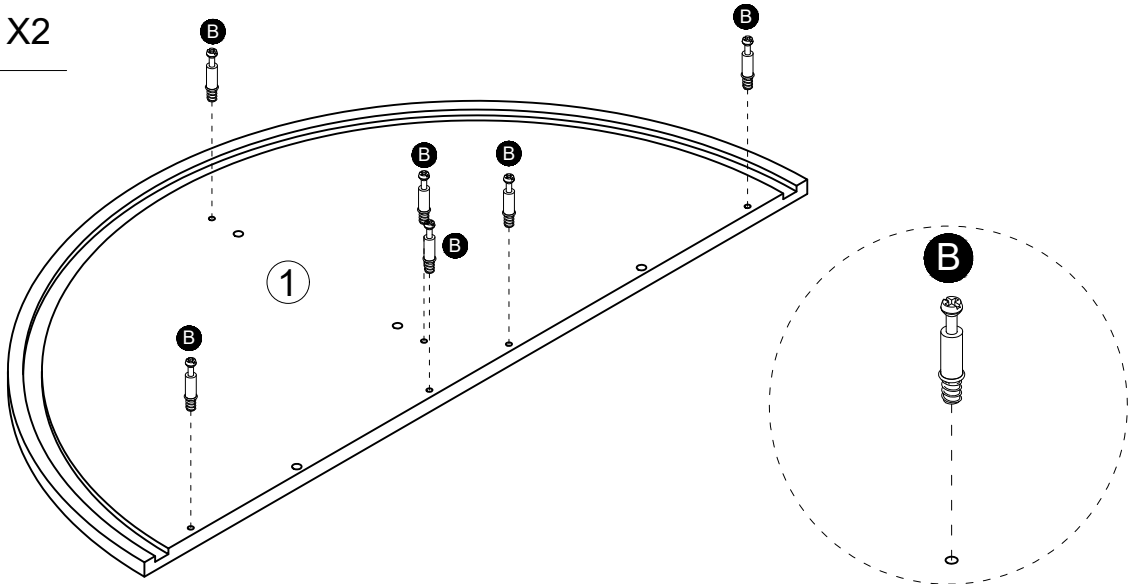
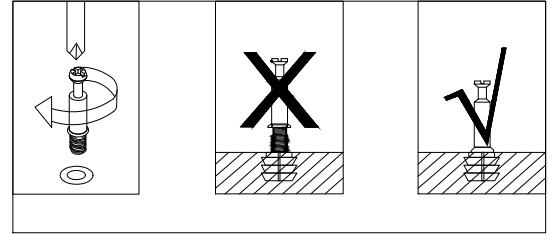
# STEP 14

 **B** X6

 **E** X8

 **M** X1

 **N** X2



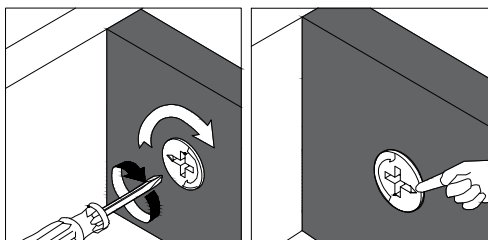
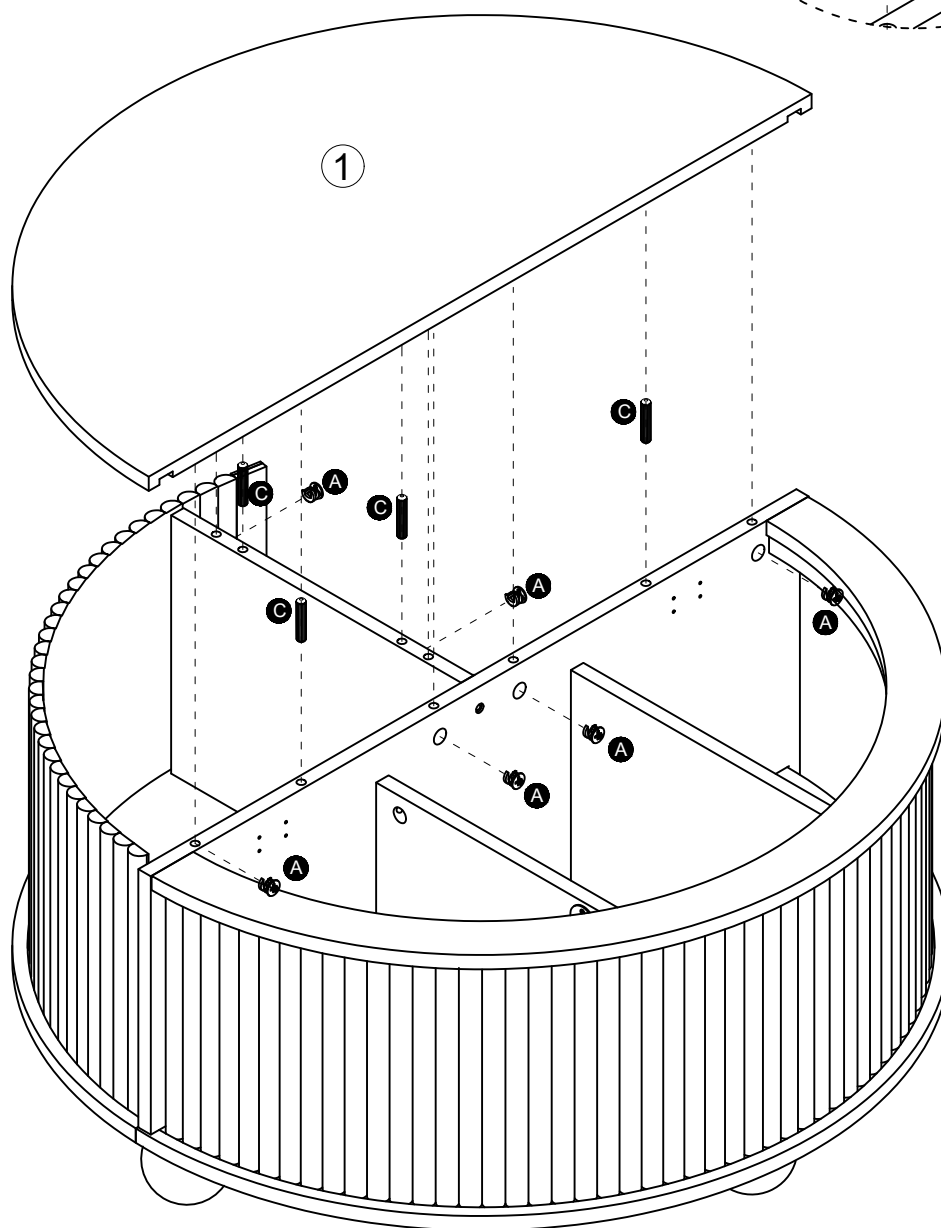
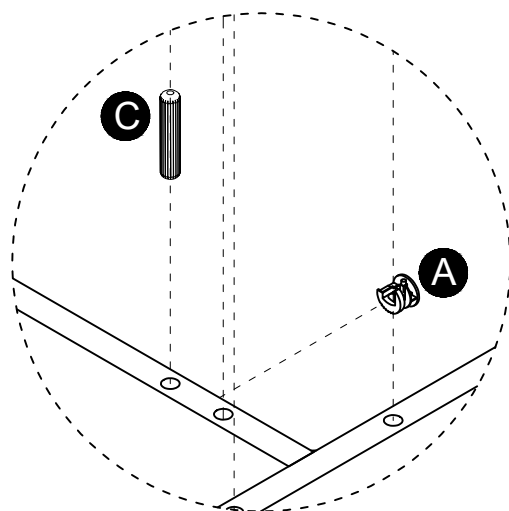
# STEP 15



**A** X6



**C** X4



# STEP 16



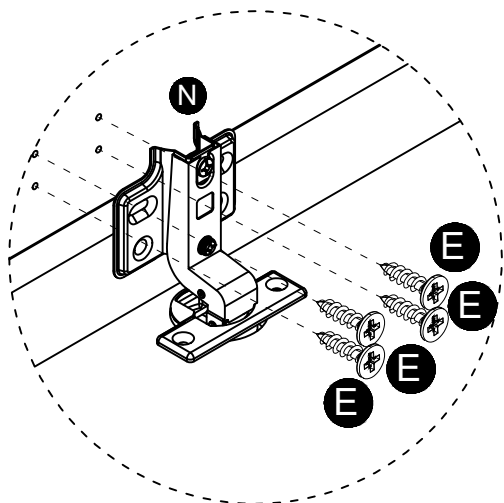
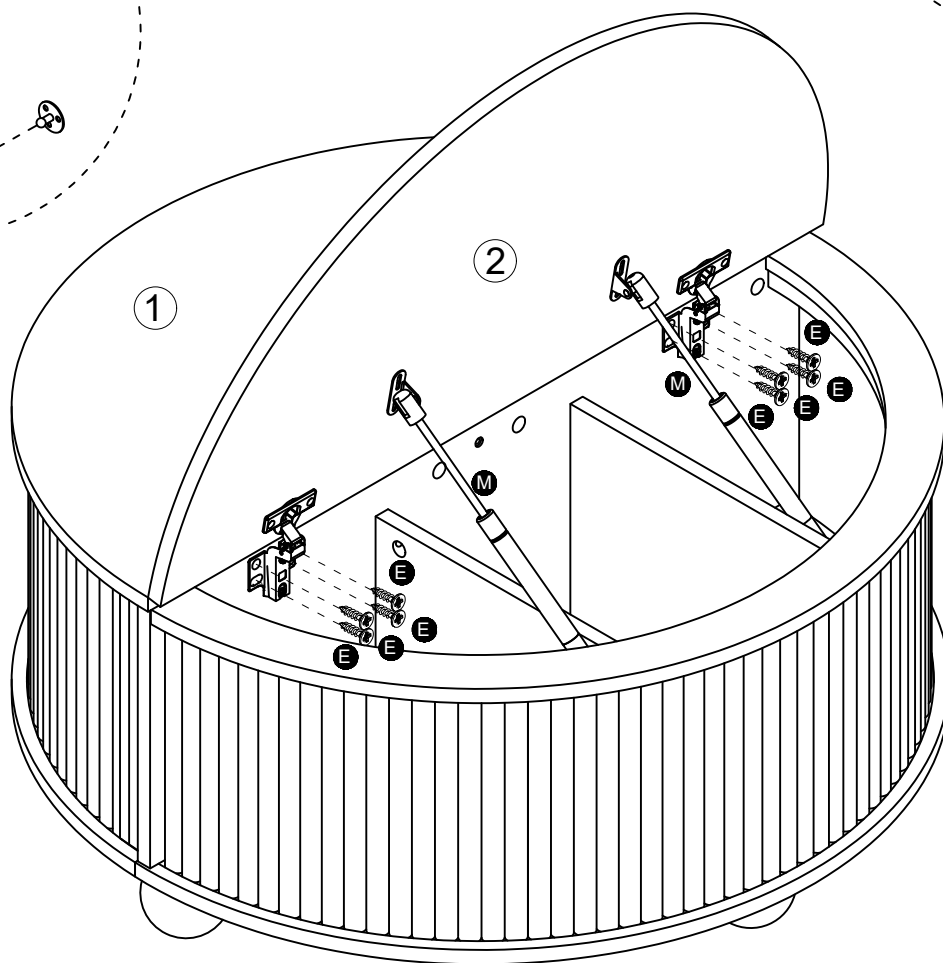
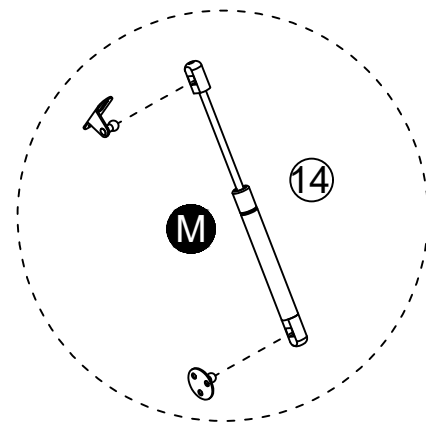
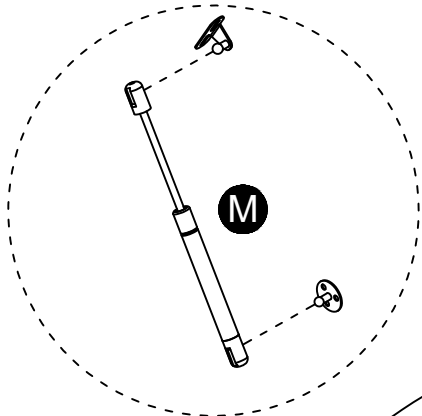
**M** X1



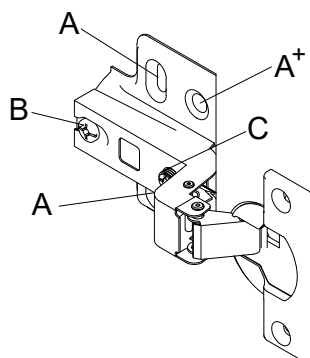
**E** X8



The thin end of the piston rod is at the top, the thick end at the bottom.

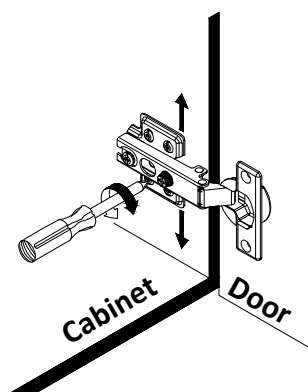
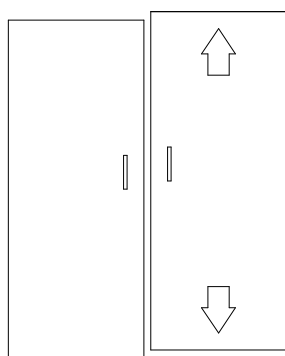


# STEP 17



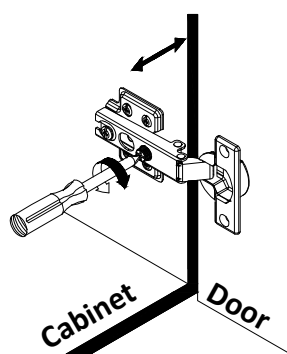
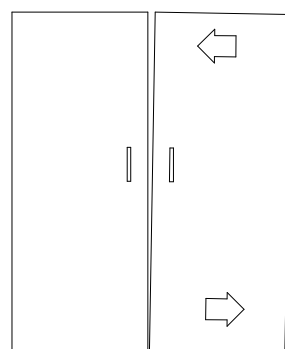
**NOTE:** If you encounter a gap or difficulty closing the door after installation, Please adjust the hinge according to the following operation.

The method is as follows:



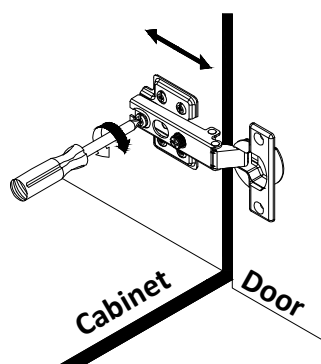
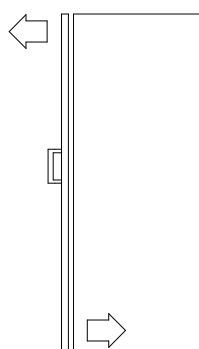
[ How to adjust vertical height of the door ]

- First remove the 2 screws "A+" on the hinge.
- Then loosen the 2 screws "A" on the hinge so that it can be adjusted up or down a few millimeters.
- Then tighten "A" and reinstall "A+".



[ How to adjust the level of the door ]

- Turn screw "C" on hinge to adjust the level of the door.



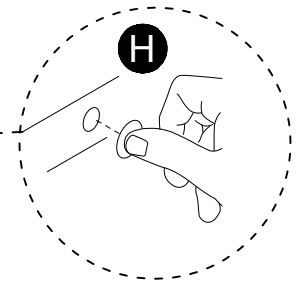
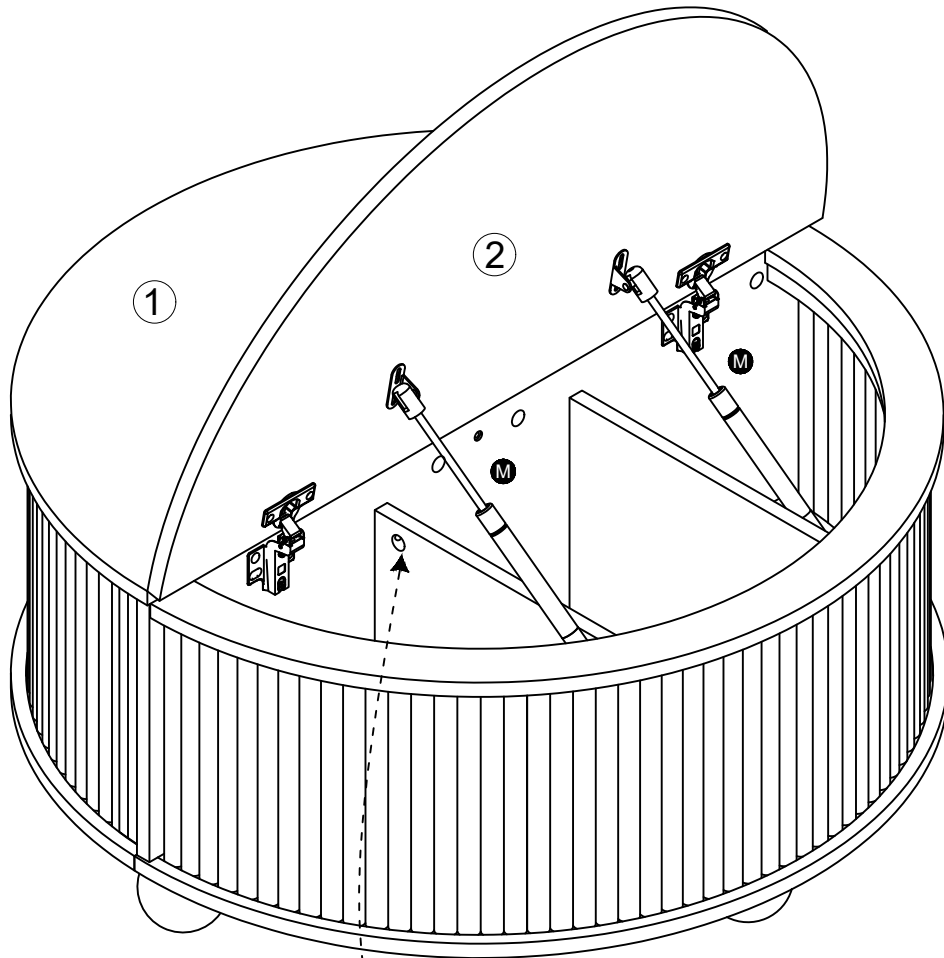
[ How to adjust depth of the door ]

- Loosen screw "B" and adjust the depth of the door.
- If screw "B" is loose, the depth of the door still cannot be adjusted. Simply loosen the screw "C" slightly to adjust the position of the door forward and backward.
- After adjusting the position, tighten screw "B" last.

# STEP 18



**H** X18



Paste visible holes with  
hole stickers.