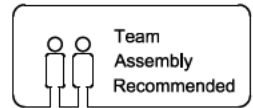
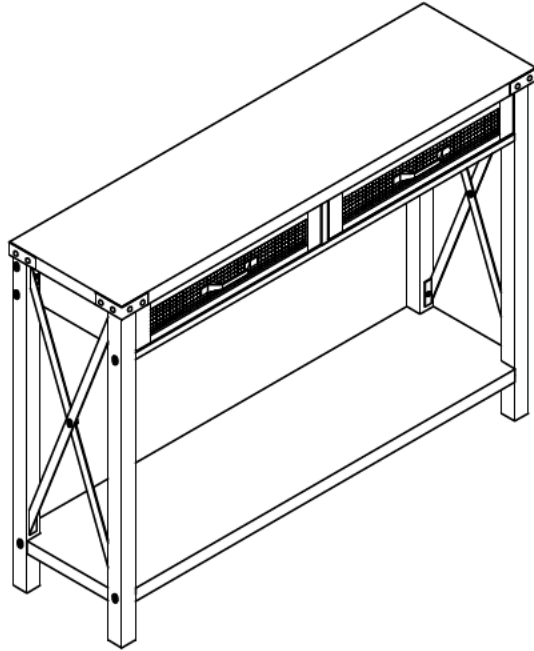
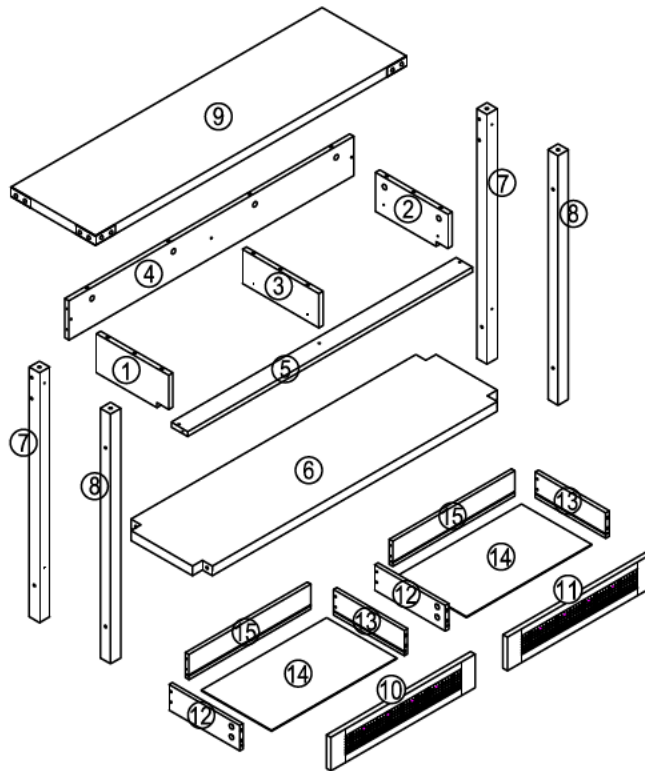


# console table



## Wooden Console Table with Drawers





Note: Do not tighten all screws in advance; tighten the screws after operating all steps.

### Componets

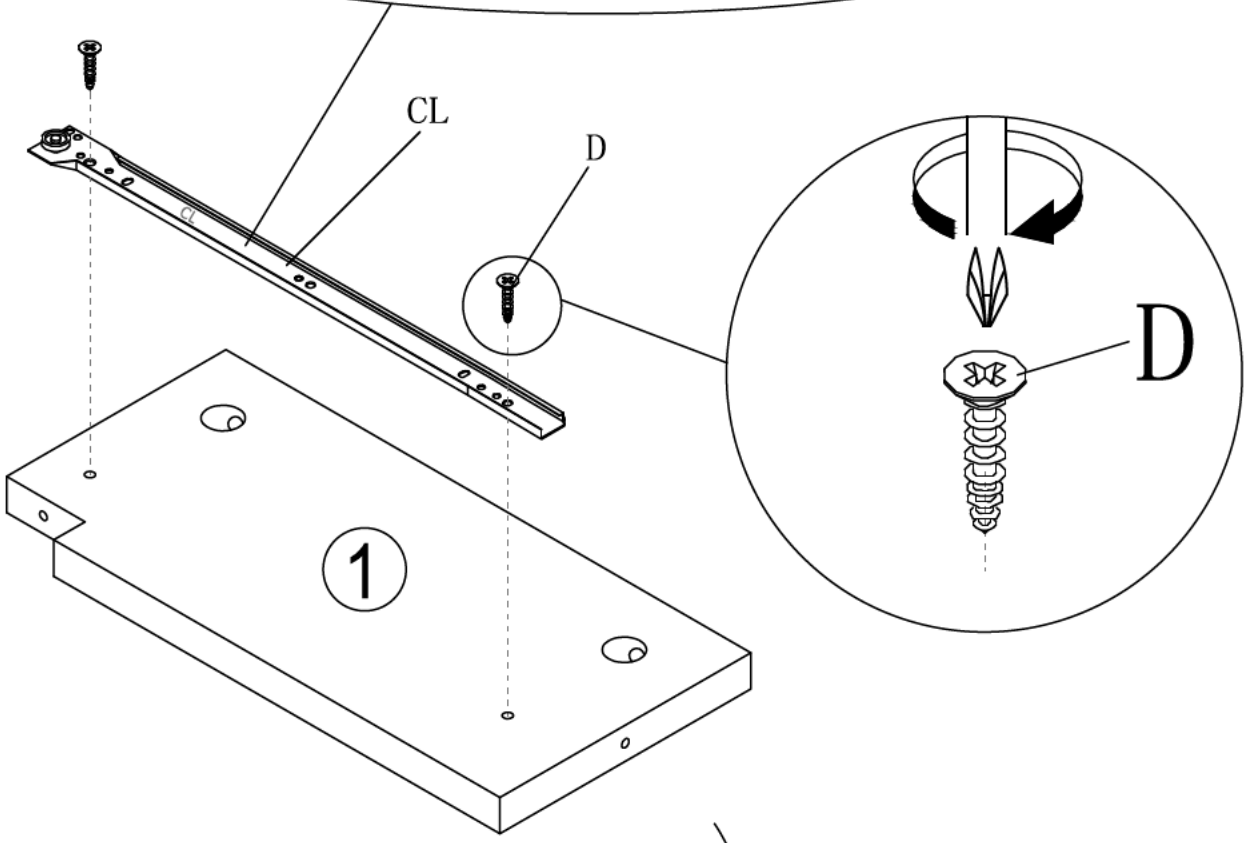
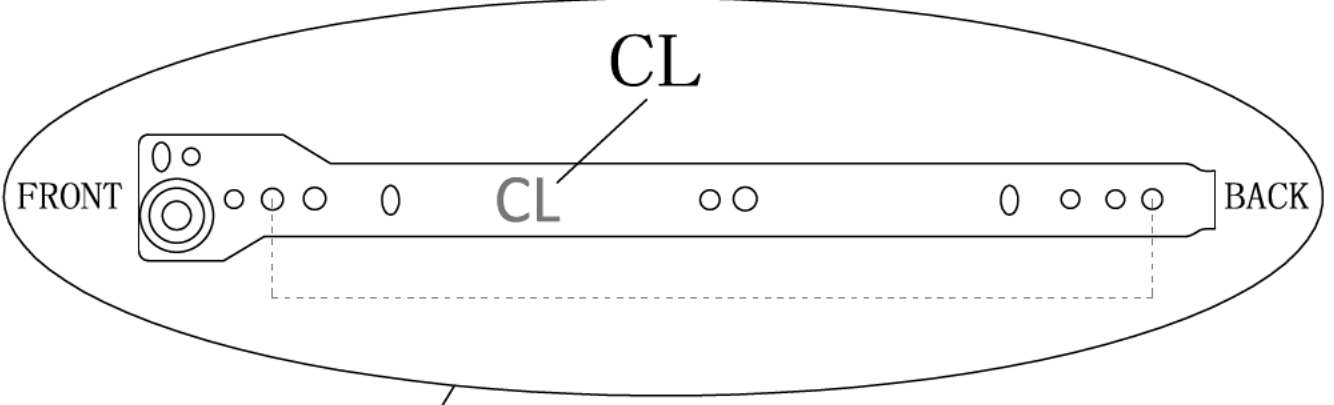
	120*255mm	<b>1</b> x 1
	120*255mm	<b>2</b> x 1
	105*271mm	<b>3</b> x 1
	1008*120mm	<b>4</b> x 1
	1008*58mm	<b>5</b> x 1
	1079*287mm	<b>6</b> x 1
	765*36mm	<b>7</b> x 2
	765*36mm	<b>8</b> x 2
	1100*298mm	<b>9</b> x 1
	490*99mm	<b>10</b> x 1
	490*99mm	<b>11</b> x 1
	250*78mm	<b>12</b> x 2
	250*78mm	<b>13</b> x 2
	443*248mm	<b>14</b> x 2
	432*77mm	<b>15</b> x 2

### Screws & Tools

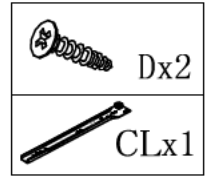
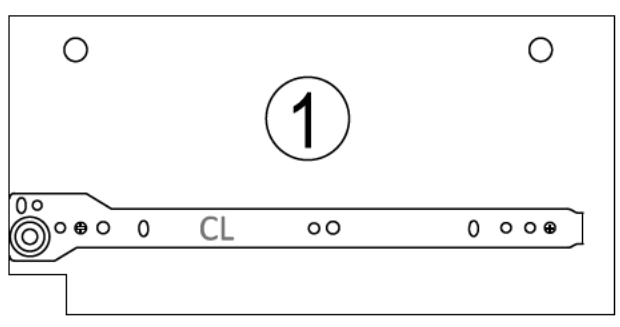
<b>A</b>		ø15*9.5	x 18
<b>B</b>		ø7*35	x 18
<b>C</b>		ø8*30	x 7
<b>D</b>		ø3.5*14	x 16
<b>E</b>		ø4x40	x 14
<b>F</b>		ø7x68	x 10
<b>G</b>		ø3.5x16	x 8
<b>H</b>		4MM	x 1
<b>I</b>			x 4
<b>CL</b>		10"	x 2
<b>CR</b>		10"	x 2
<b>DL</b>		10"	x 2
<b>DR</b>		10"	x 2
<b>K</b>			x 2
<b>L</b>		M4x10	x 4
<b>M</b>		10mm	x 1
<b>N</b>			x 2

# STEP 1

Install the rail (CL) to the board ① as shown.

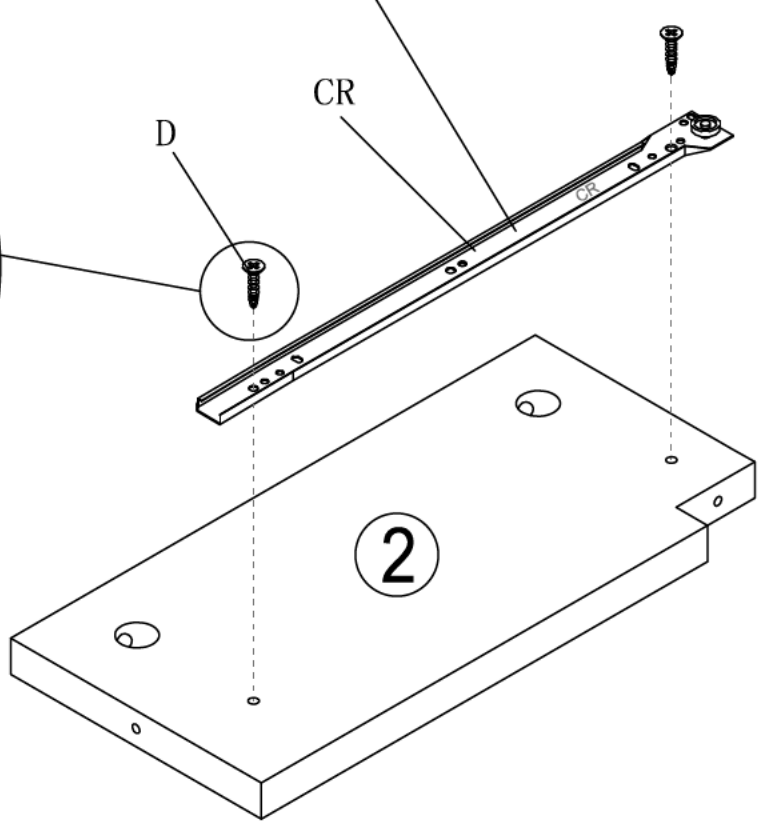
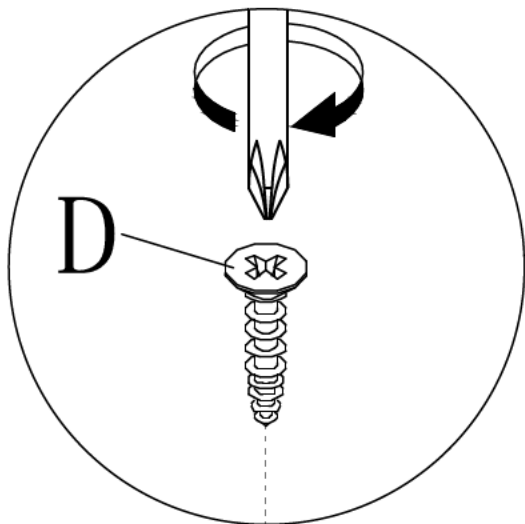
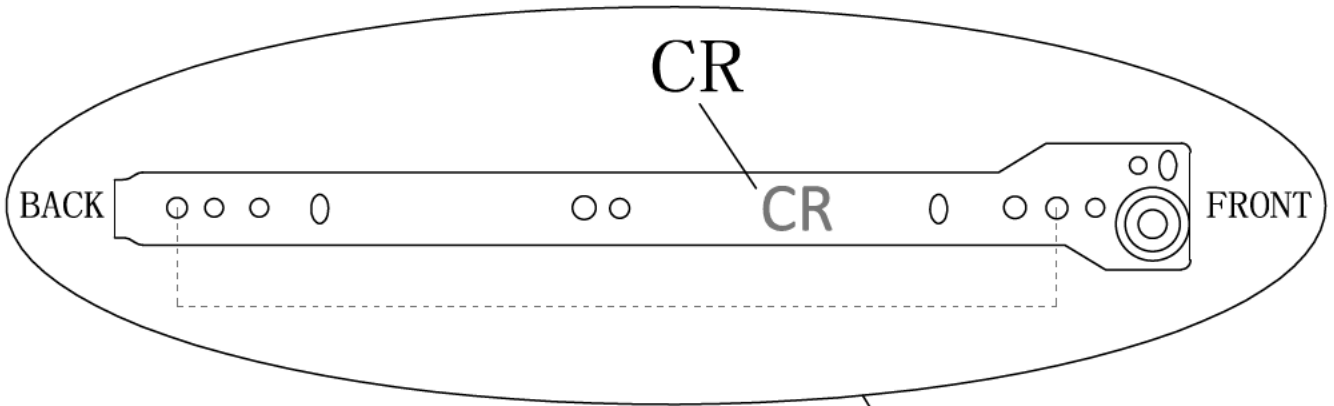


After assembly

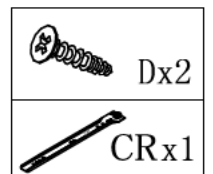
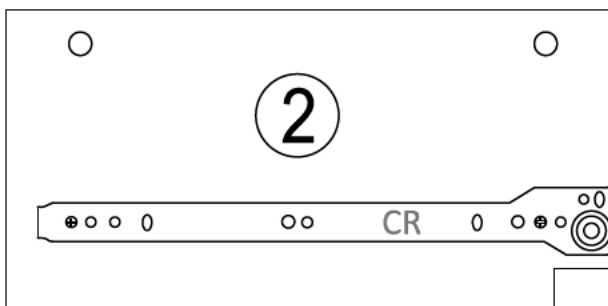


# STEP 2

Install the rail (CR) to the board ② as shown.



After assembly



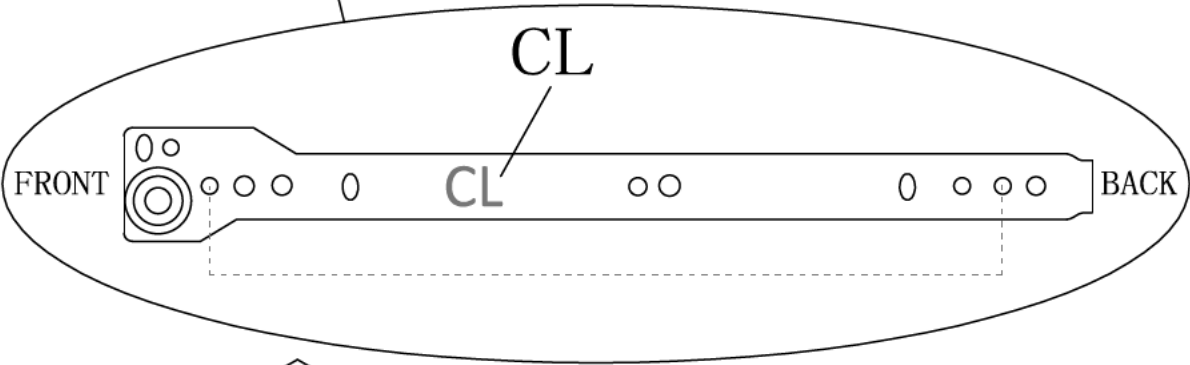
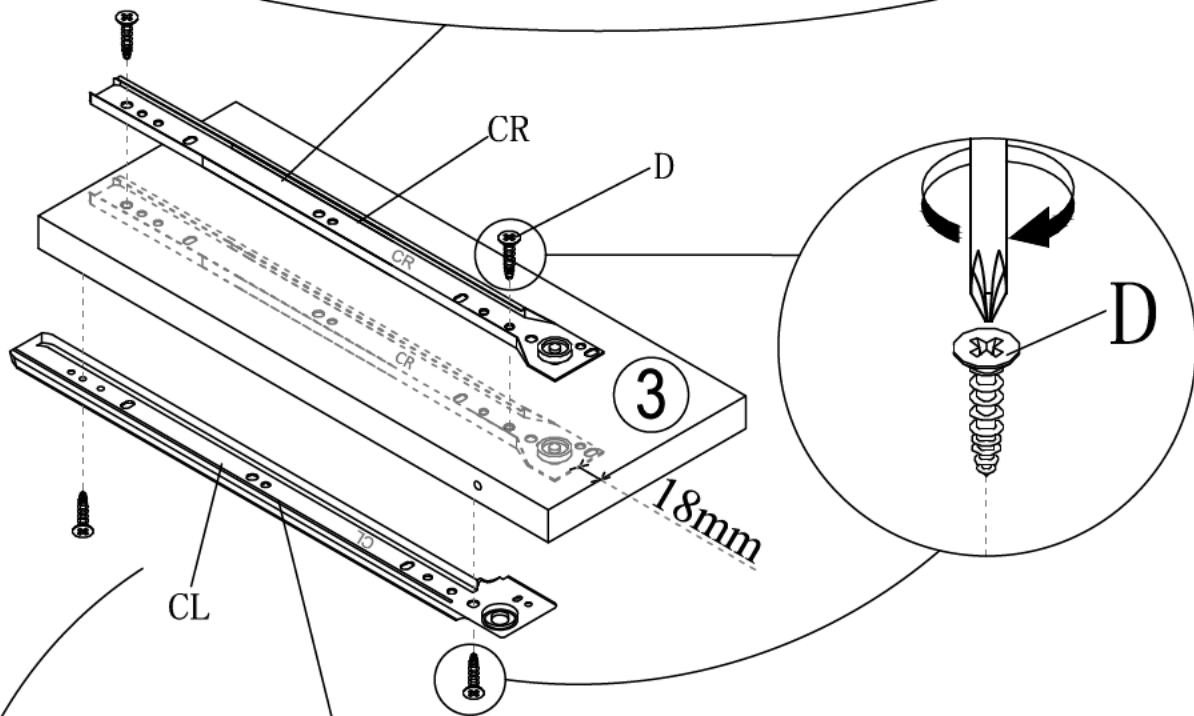
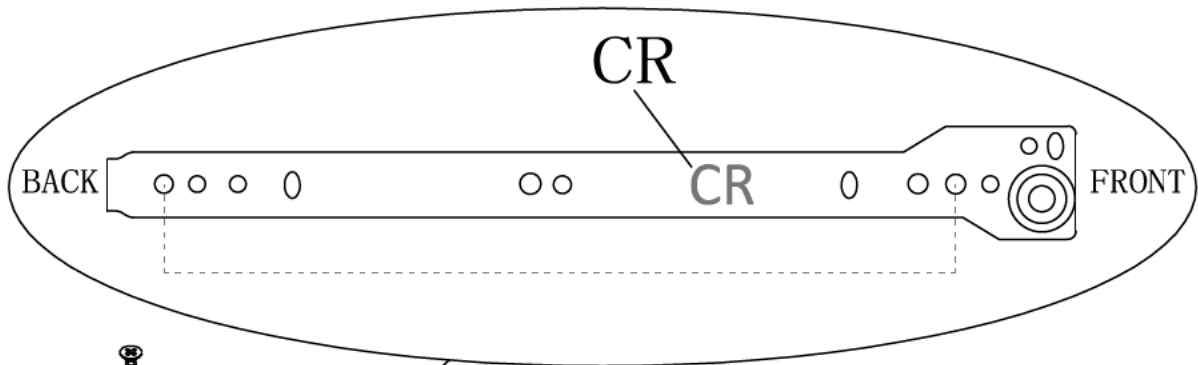
### STEP 3

Install the rails (CL, CR) to board ③ as shown.

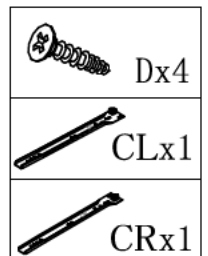
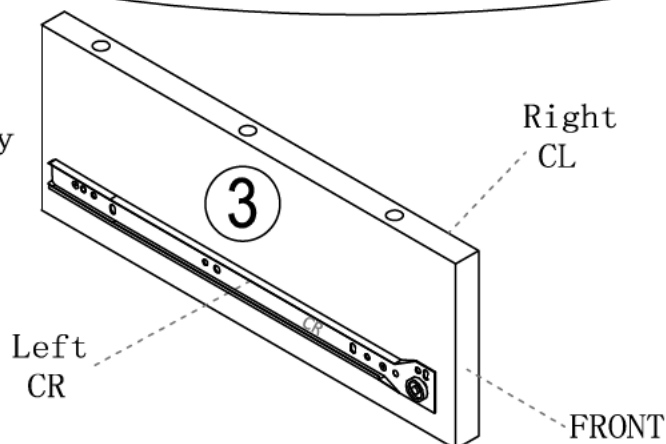
Note: a. (CL) must be installed on the right of the standing board ③.

b. (CR) must be installed on the left of the standing board ③.

c. The distance of the front of (CL)&(CR) to the edge of board ③ is 18mm

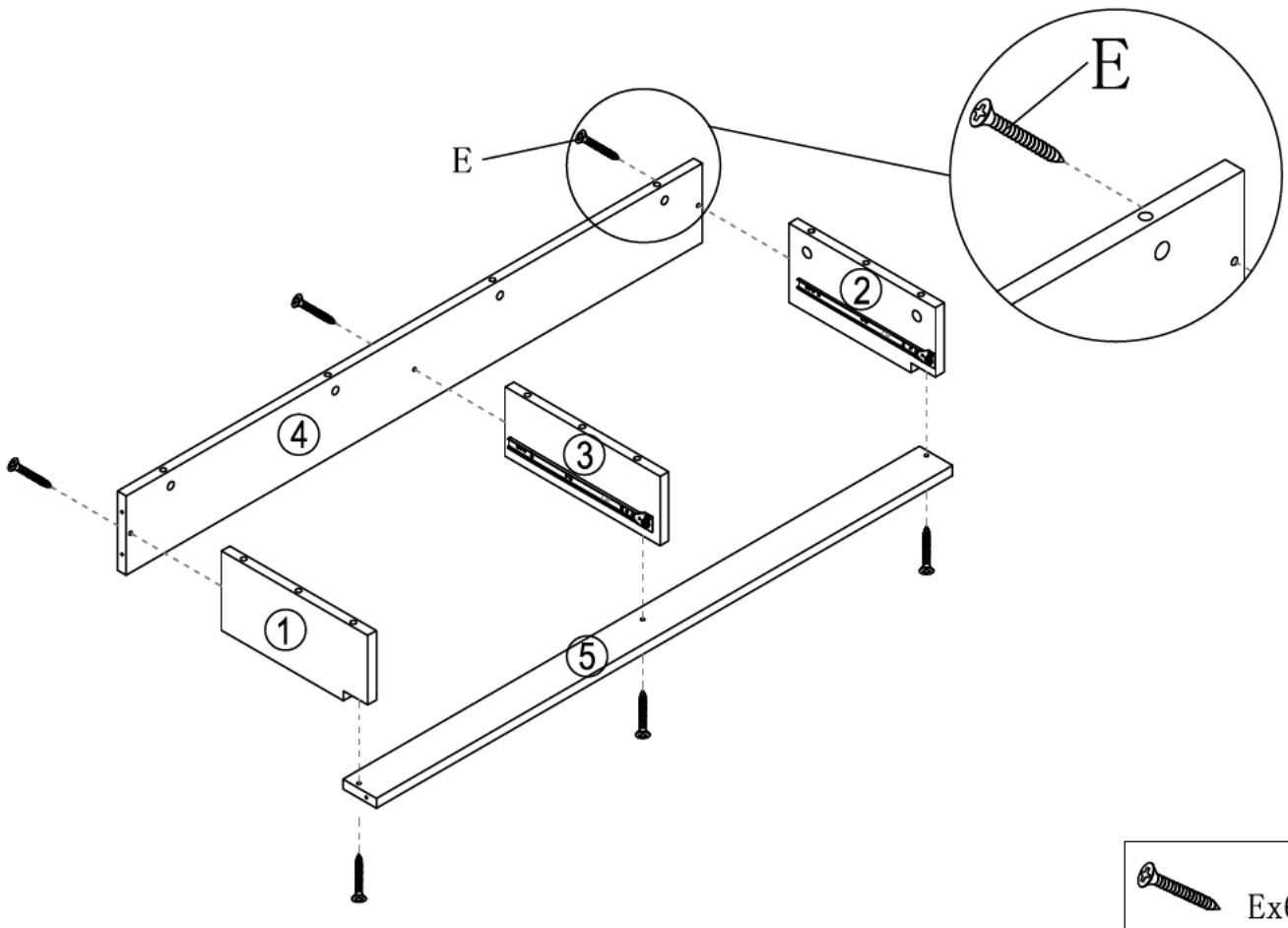


After assembly



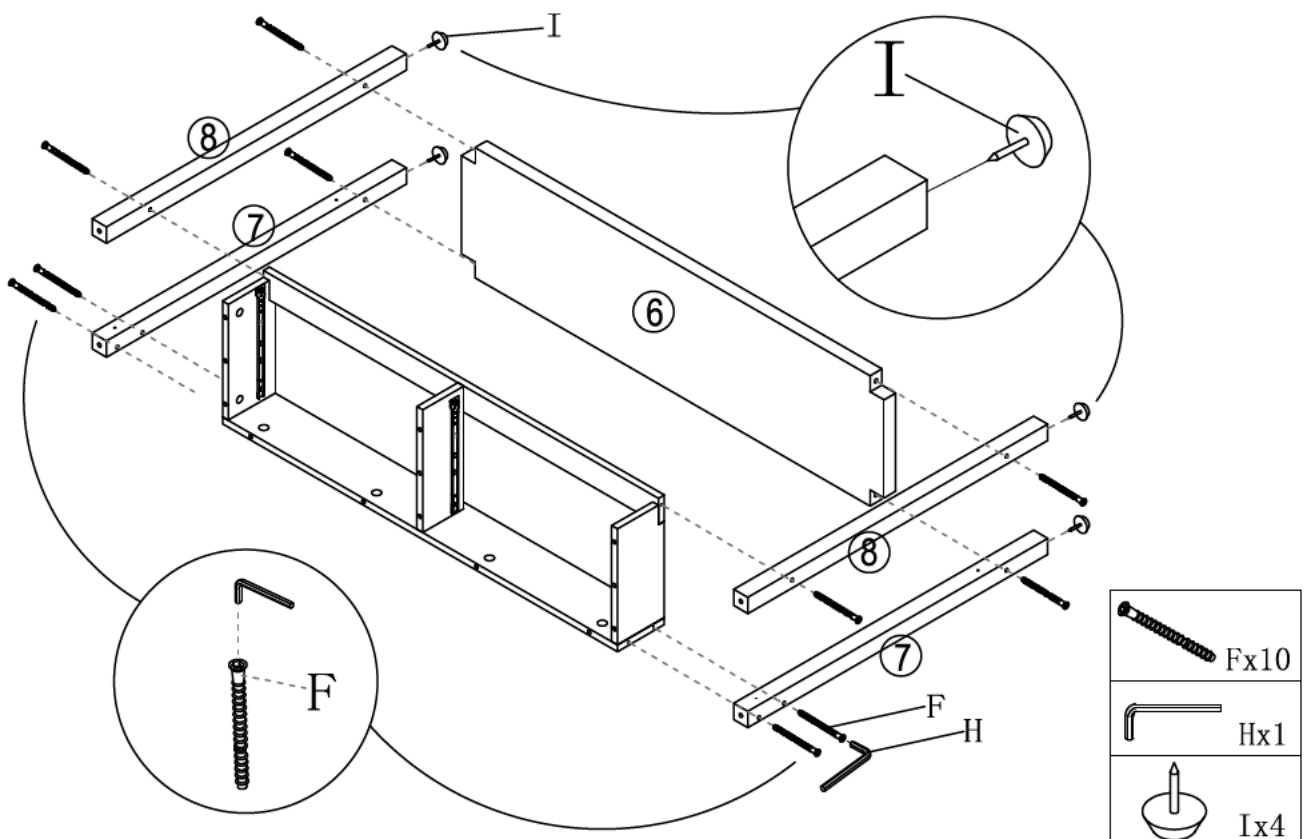
## STEP 4

Assemble board ① ② ③ ④ ⑤ by the screws (E) as shown.



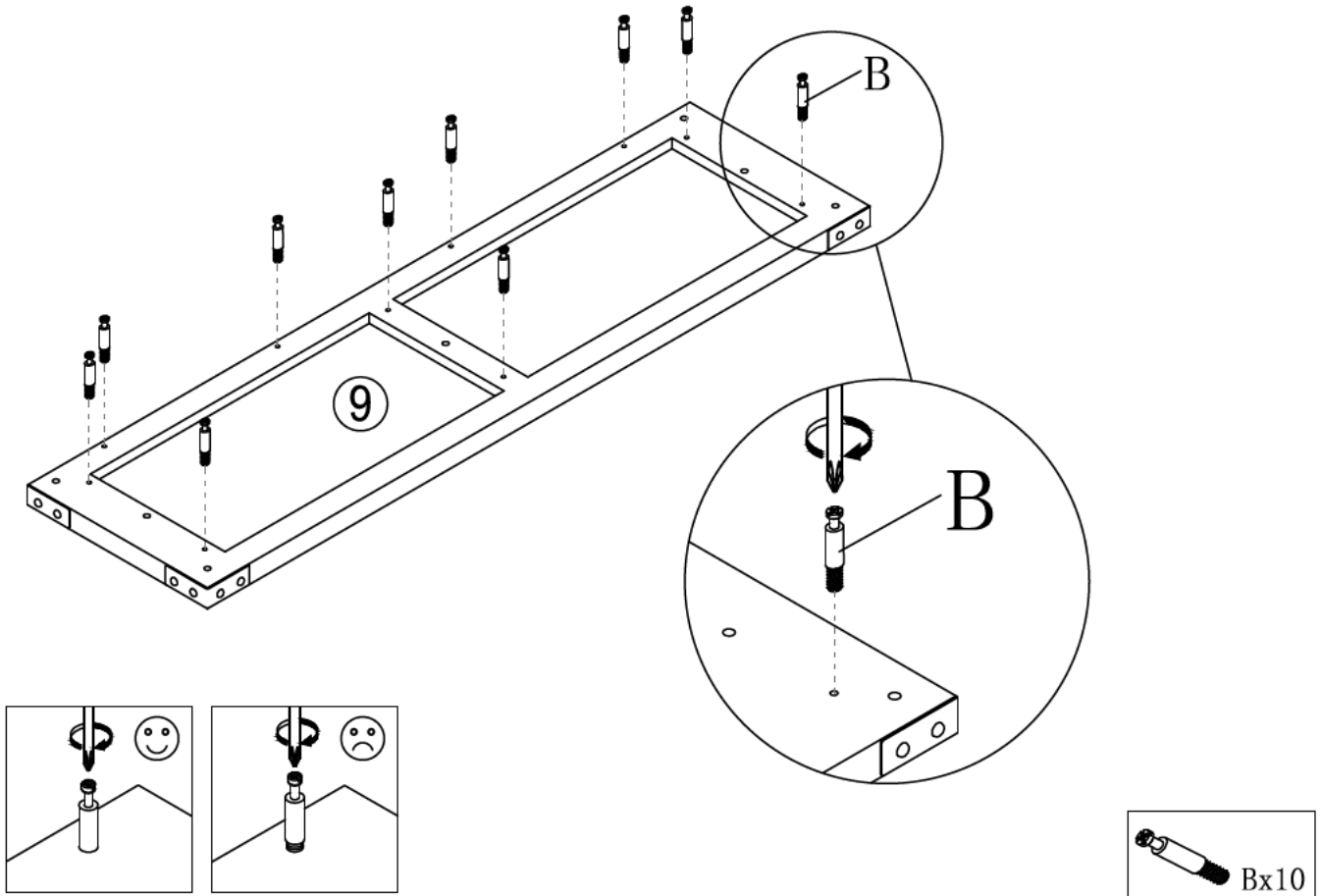
## STEP 5

First insert the foot pads (I) into the bottom of wooden legs ⑦ ⑧, then assemble board ⑥, wooden legs ⑦ ⑧ and upper main structure by the screws (F) as shown.



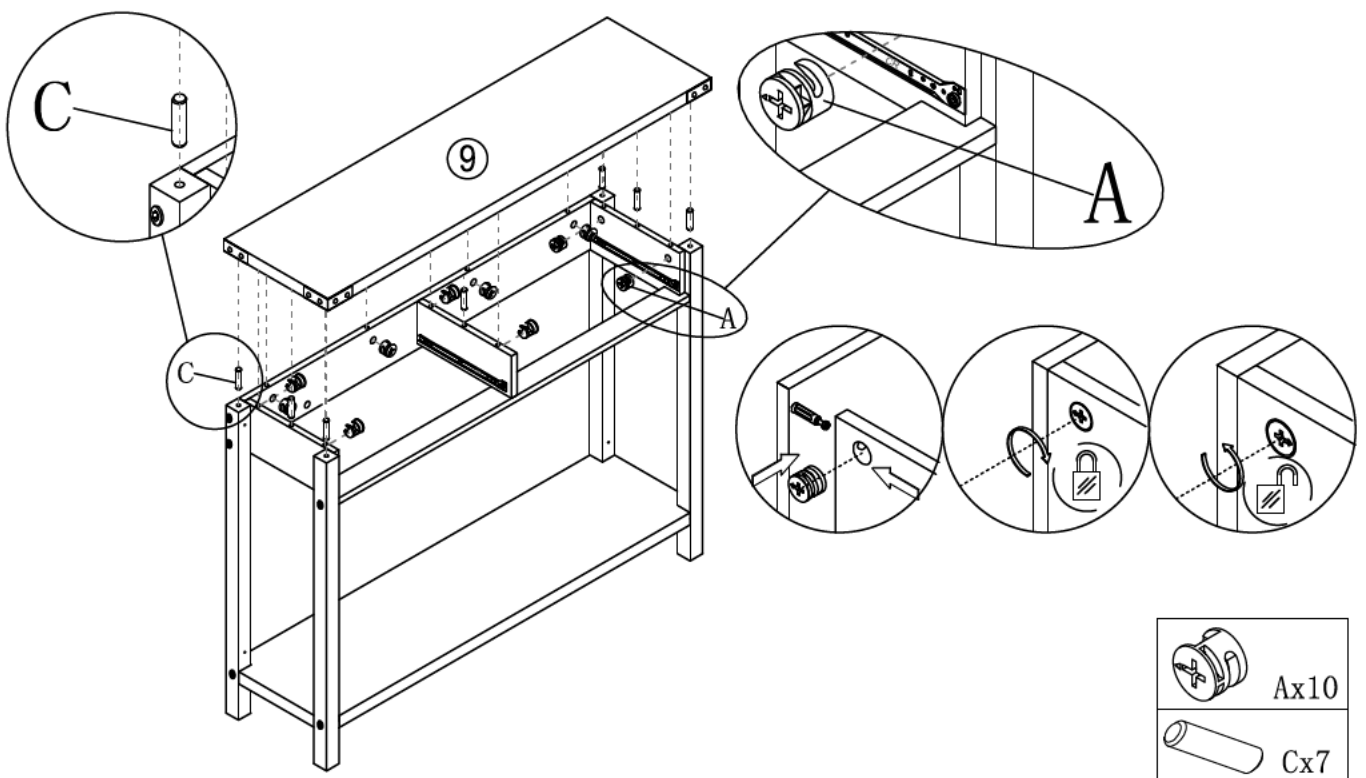
## STEP 6

Install the screws (B) into board ⑨ as shown.



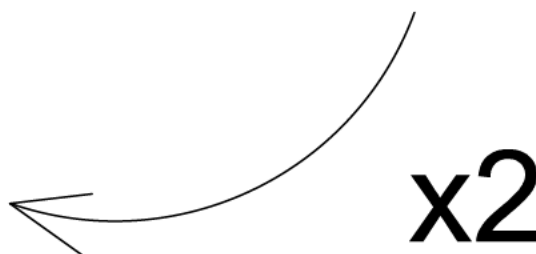
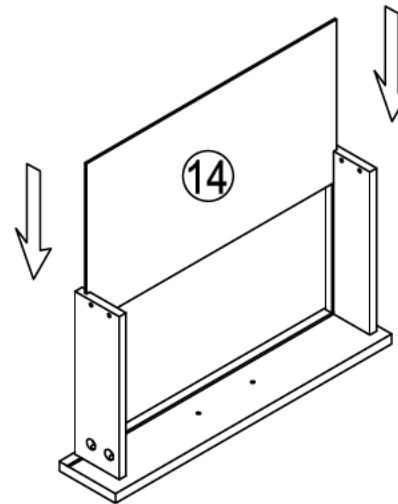
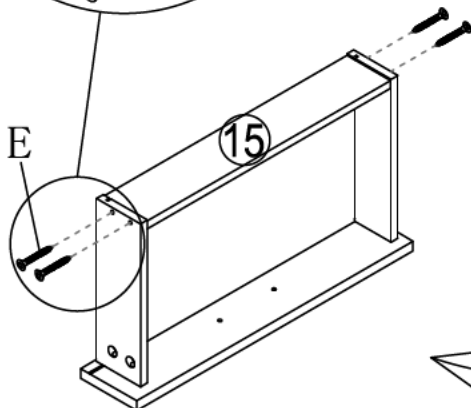
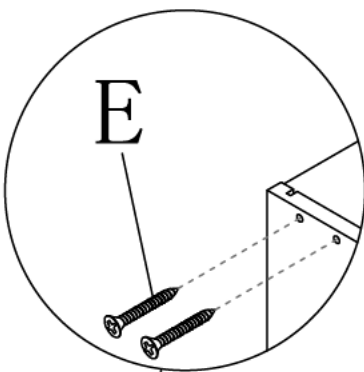
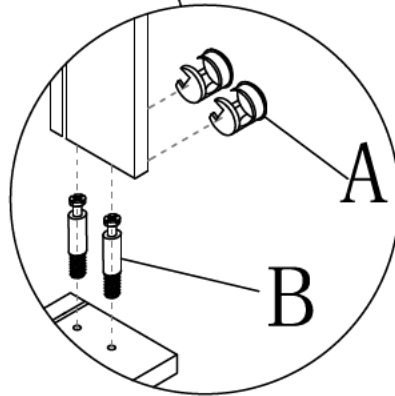
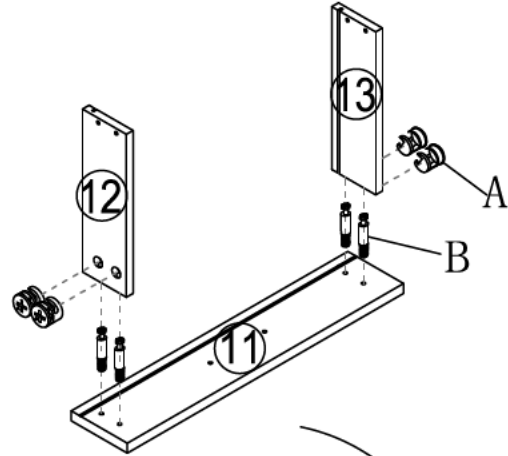
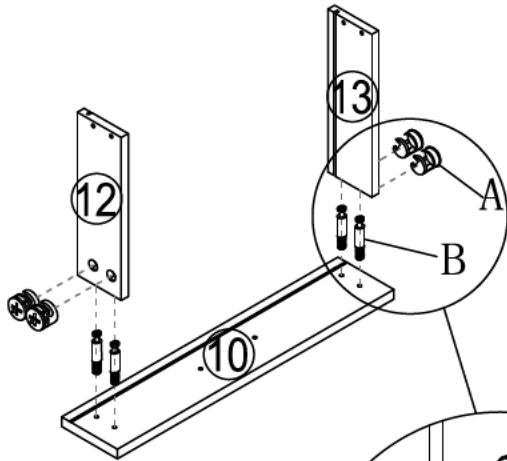
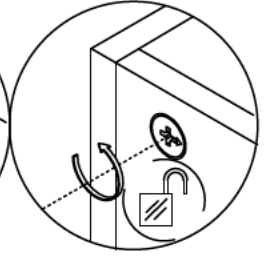
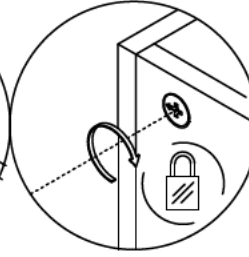
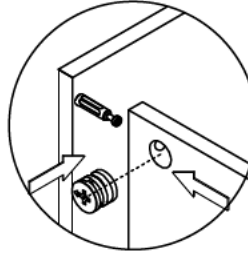
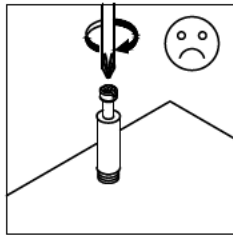
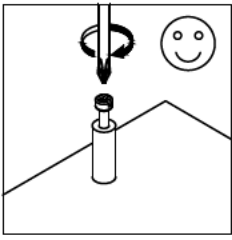
## STEP 7

First insert the wood nails (C) into the correct hole as shown, then put the board ⑨ on the main structure and align the holes, finally assure the cam locks (A) arrow points to the screws (B) and push it into holes, use a Phillips head screwdriver to turn the cam lock until fully tightened



# STEP 8

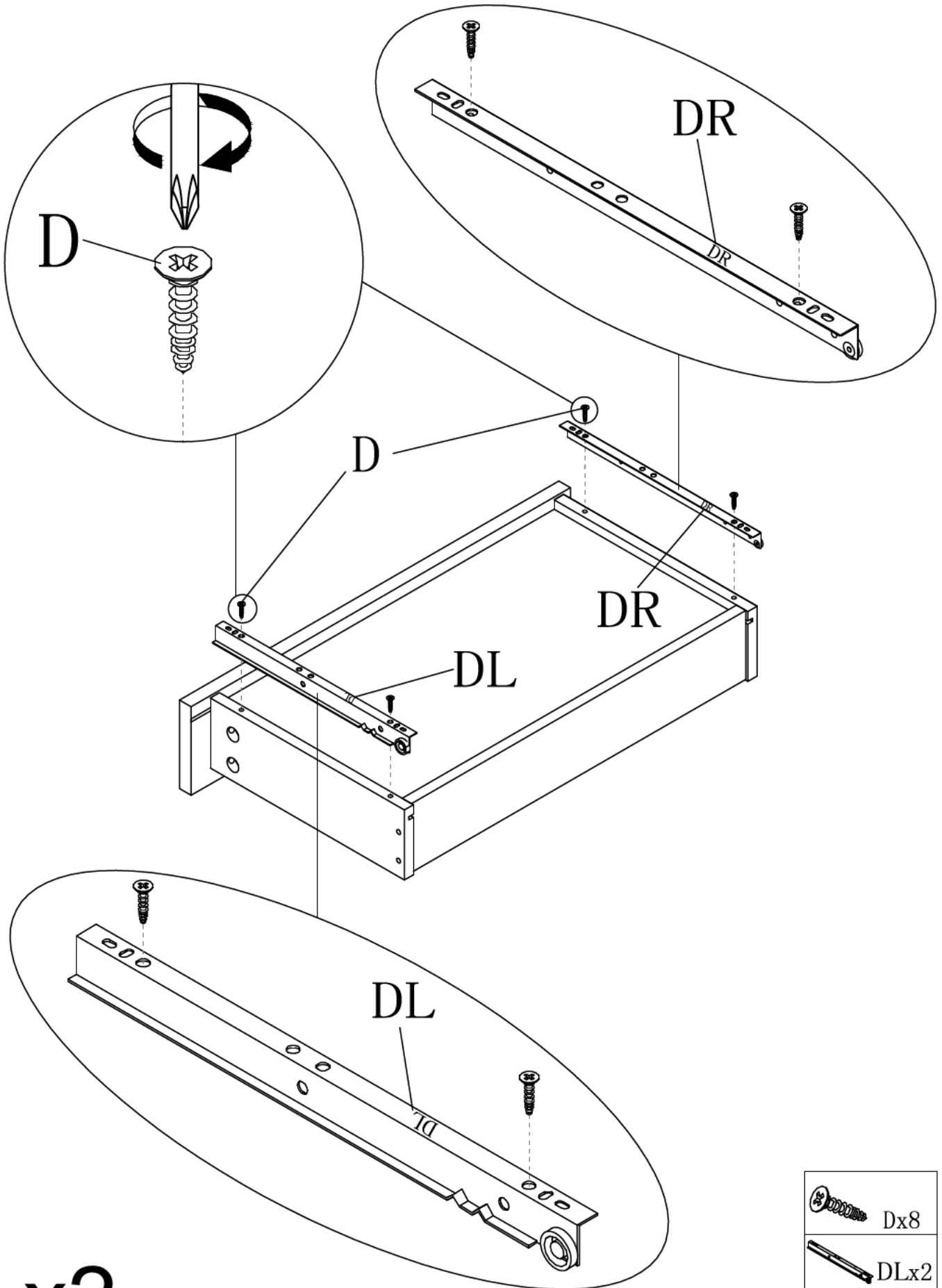
Firstly assemble the boards ⑩&⑫&⑬ and ⑪&⑫&⑬ by the screws (B) and the cam locks (A), then insert the boards ⑭ as shown, finally assemble the boards ⑮ by the screws (E).






	Ax8
	Bx8
	Ex8

# STEP 9

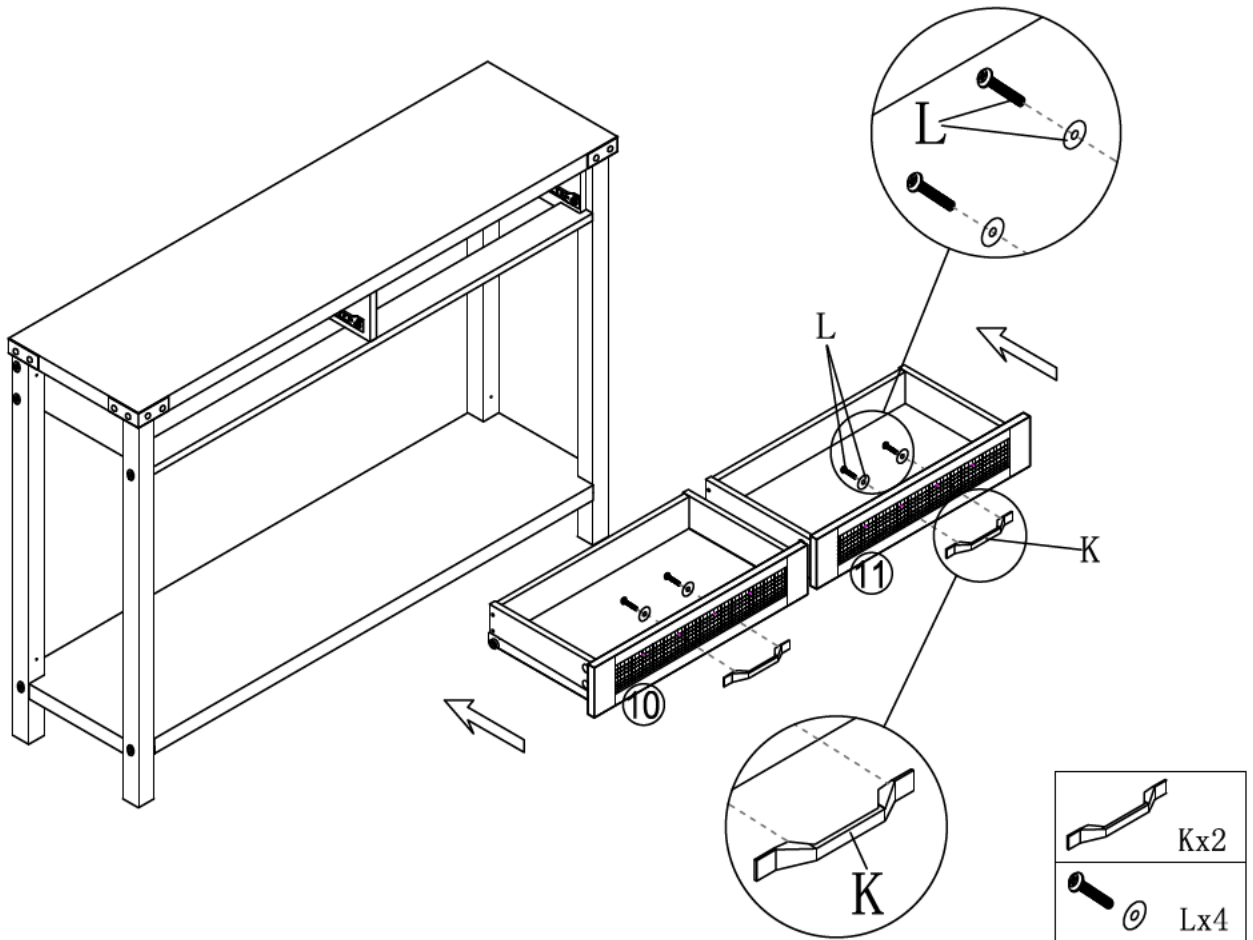
Install the rails (DL) to the left side of the drawers and the rails (DR) to the right side of the drawers as shown.



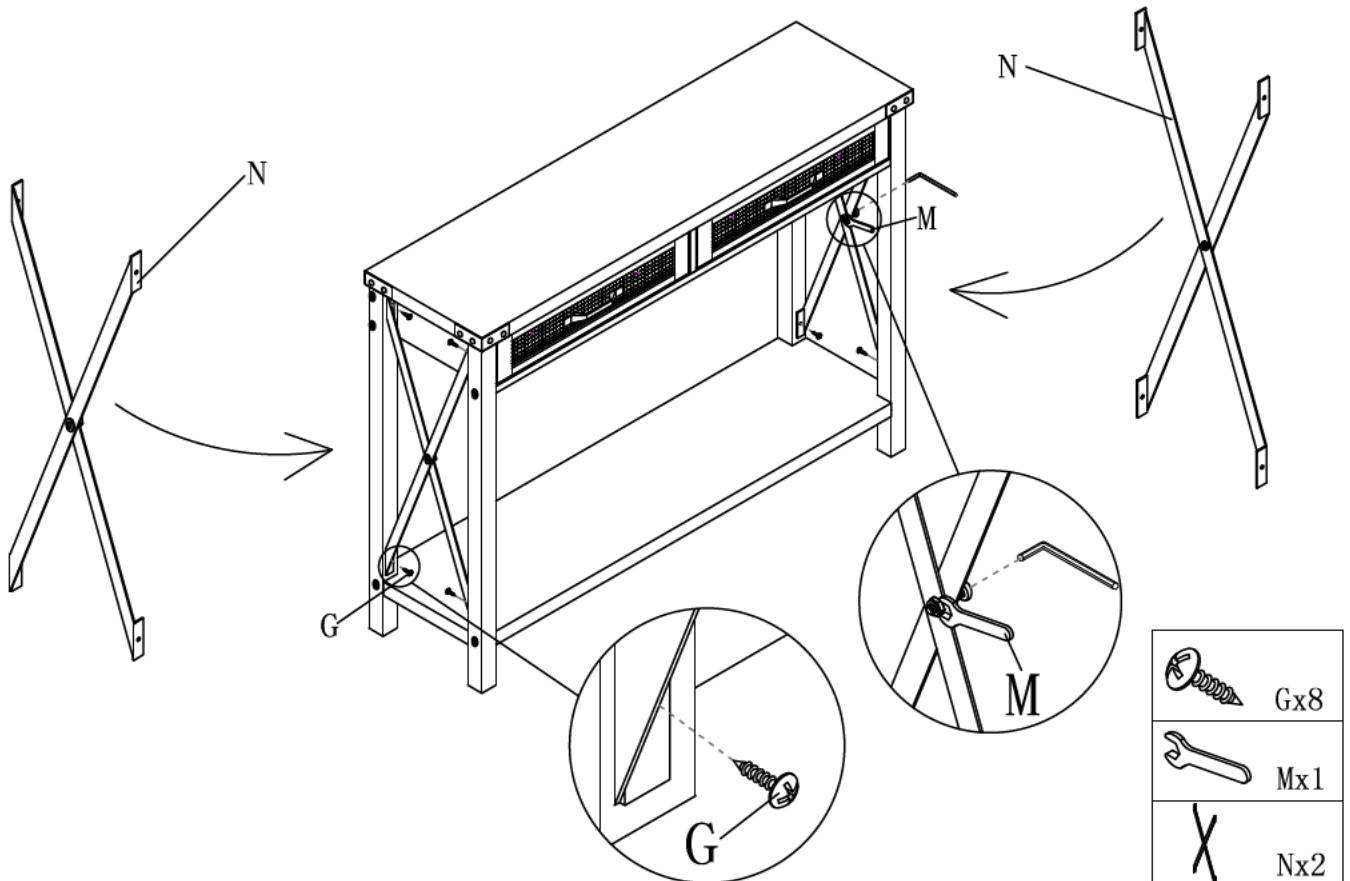
x2

	Dx8
	DLx2
	DRx2

**STEP 10** Install the handles (K) on the drawers by the screws (L).

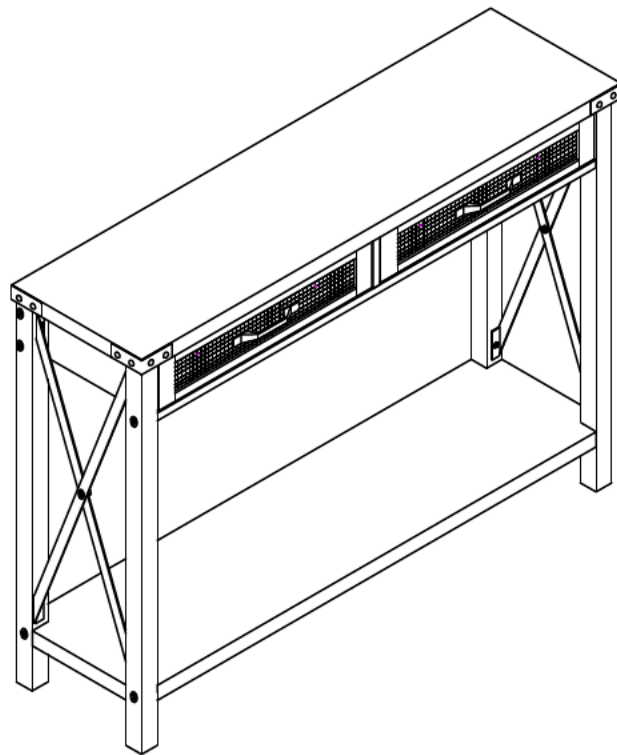


**STEP 11** Firstly assemble the x-shaped irons (P) by the screws (M) & (N), then install the x-shaped irons (P) to the wood legs by the screws (G) as shown.



**STEP 12**

Please totally tighten all screws after installation.



## IMPORTANT SAFETY INFORMATION

Please carefully read the following instructions and caution warnings before assembling the product. Following this guide will ensure that you install, use and maintain the product properly.

- Please keep this installation and user manual/instructions for future reference in case you need to disassemble the product.
- Do not assemble if you notice serious damage such as cracks or bends.
- During installation, please use work gloves for hand safety.
- Please assemble the unit on carpeted floor or the flat cardboard box to avoid scratching the surface or your floor while assembling on the floor.
- To assemble, please use the complimentary installation tools (Phillips screwdriver). Pay more attention to the direction of components at each steps.
- It is recommended that two people work together to assemble the product.
- Please do not tighten the screws up too much, just to 80% before you finish to make the installation successful.

## RETURN POLICY

- We believe you will absolutely love your new product. But for some reason you want to return your item, please contact us within 30 days after receiving and ensure that the product which you want to return is in a good condition in the original box with all original certificates of purchase, manuals and accessories attached.

## HOW TO MAINTAIN YOUR PRODUCT:

- Check the screws of the product are not loose from regular use.
- Do not use sharp instruments, rubbing alcohol, corrosive chemicals, or abrasive cleaners to clean the product.
- Do not keep the product in a damp environment for a long period of time. The damp environment may cause the iron components to rust and the plates to bulge and crack.