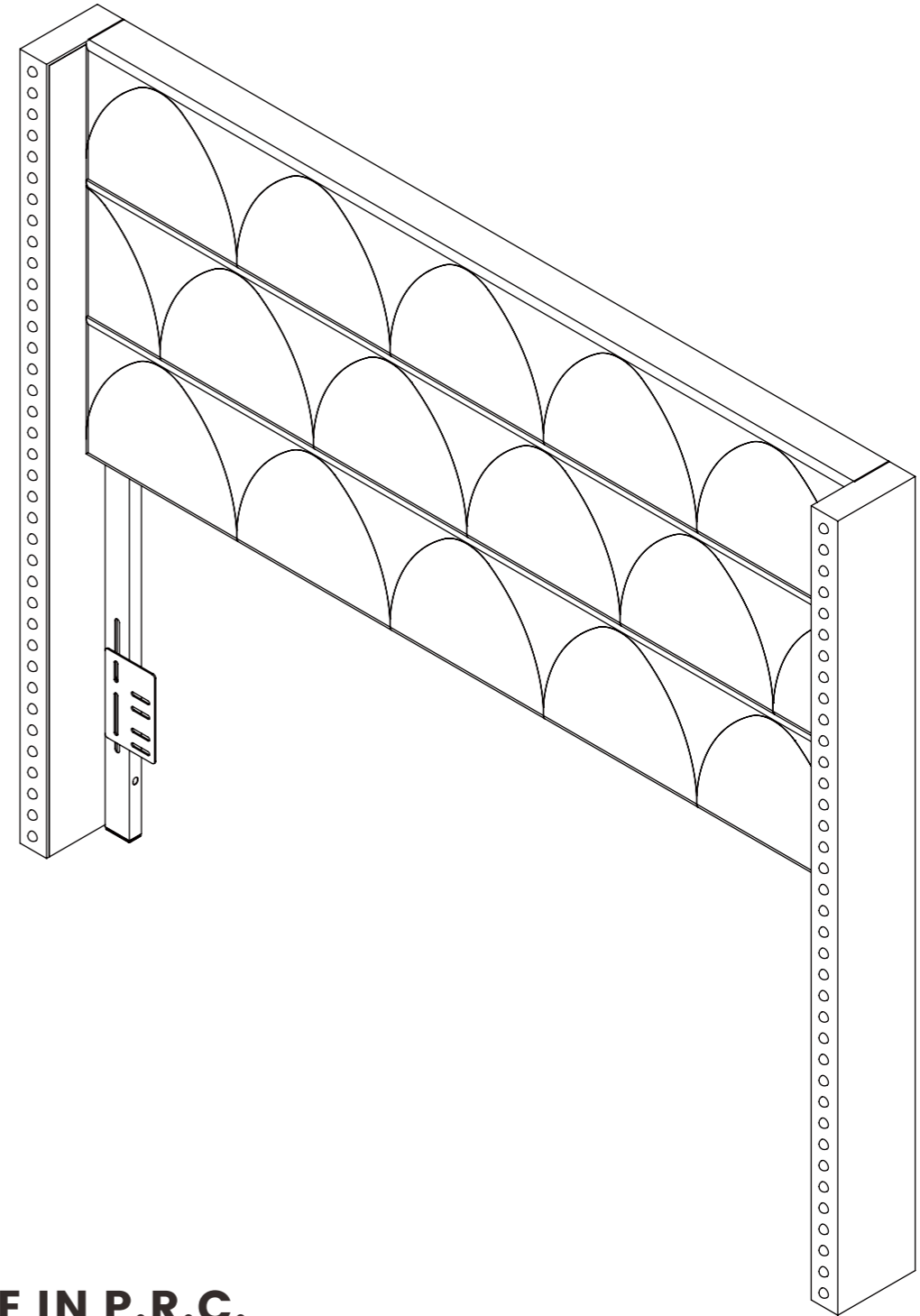


Assembly Instructions

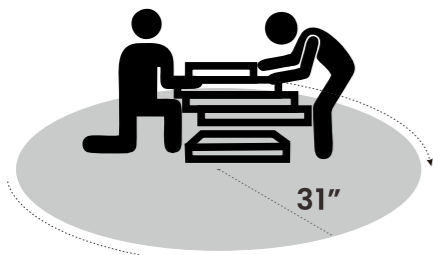
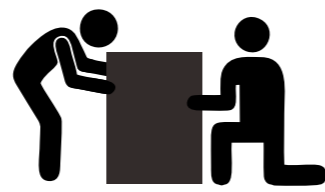
Velvet Upholstered Headboard

Model: HB02-Queen/King



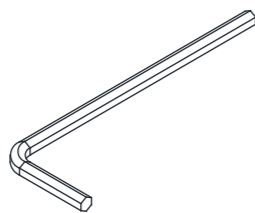
MADE IN P.R.C.

Thank you for your purchase. All components are included in a single package. Please follow the instructions step by step for a quicker and smoother installation process. If you encounter any issues, please contact our customer service team Service@theyulika.com, and we will be pleased to assist you.



Sufficient space
 Leave at least **80 cm (31 in)**
 around the product to ensure
 that there is enough space for
 easy movement and assembly.

Tools required for assembly



WARNING :

Be careful not to let children swallow the assembling parts

Please put the unpacked plastic bag or foam back into the carton for easy disposal

Achten Sie darauf, dass Kinder die Montageteile nicht verschlucken.

Bitte legen Sie die ausgepackte Plastiktüte oder den Schaumstoff zur einfachen Entsorgung wieder in den Karton.

注意不要让儿童吞下组装部件

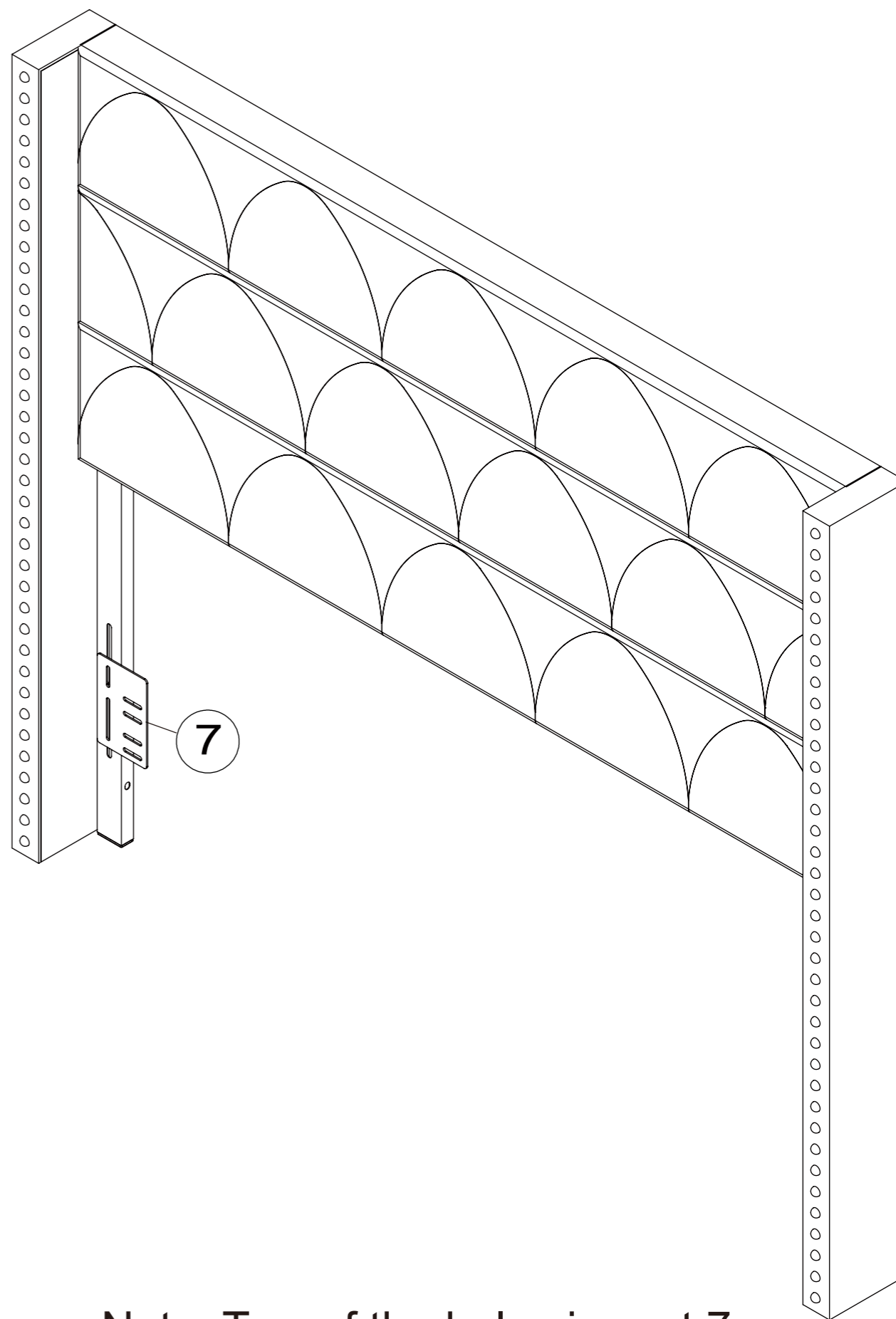
请将拆开的塑料袋或泡沫放回纸箱中，以便于处理

子供が組み立て部品を飲み込まないように注意してください

開封したビニール袋または発泡スチロールは、簡単に処分できるようにカートンに戻してください

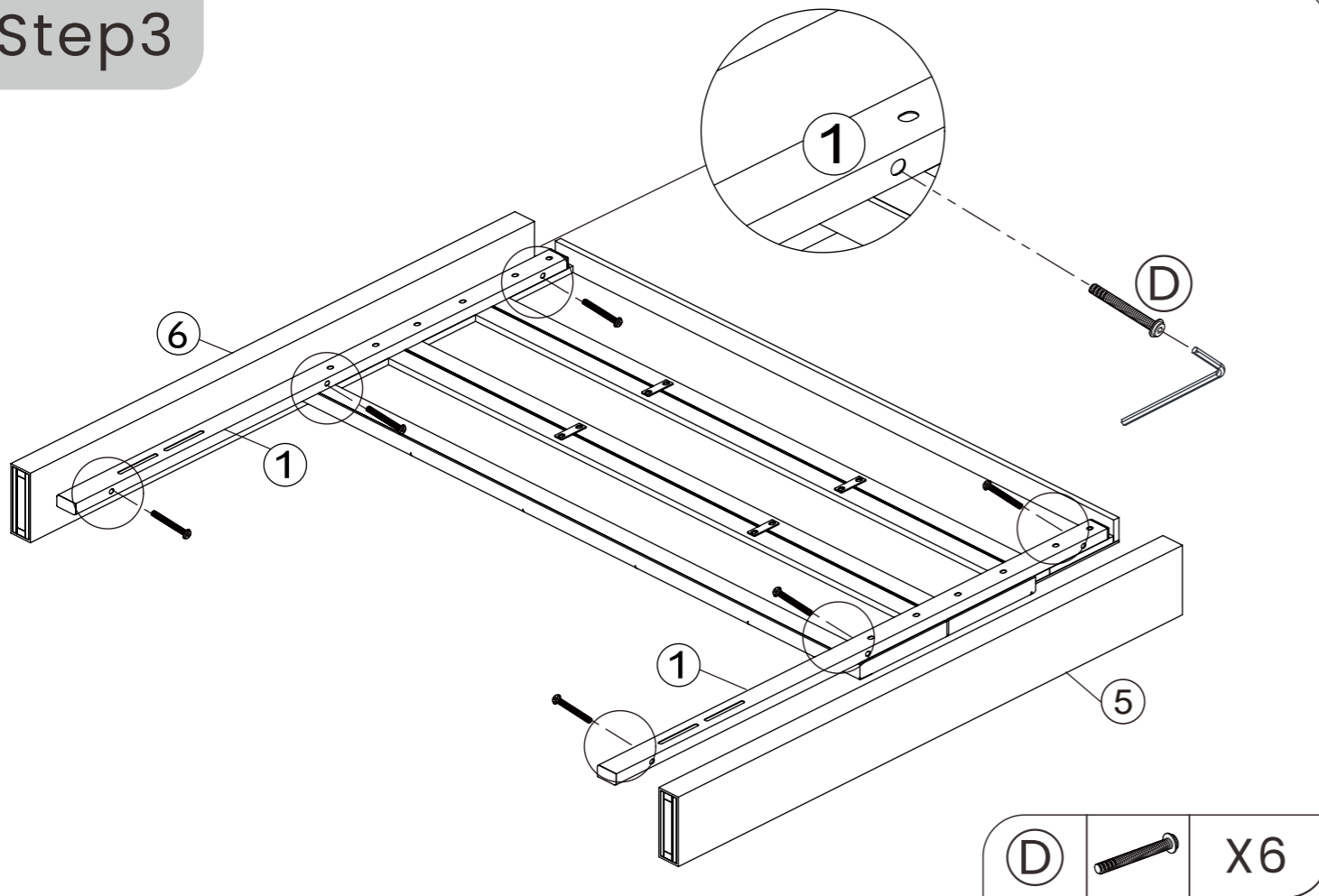
어린이가 조립 부품을 삼키지 않도록 주의하세요

포장을 푼 비닐 봉지나 폼은 쉽게 폐기할 수 있도록 상자에 다시 넣어주세요



**Note: Two of the holes in part 7
 are assembled with the bed frame!!!**

Step 3

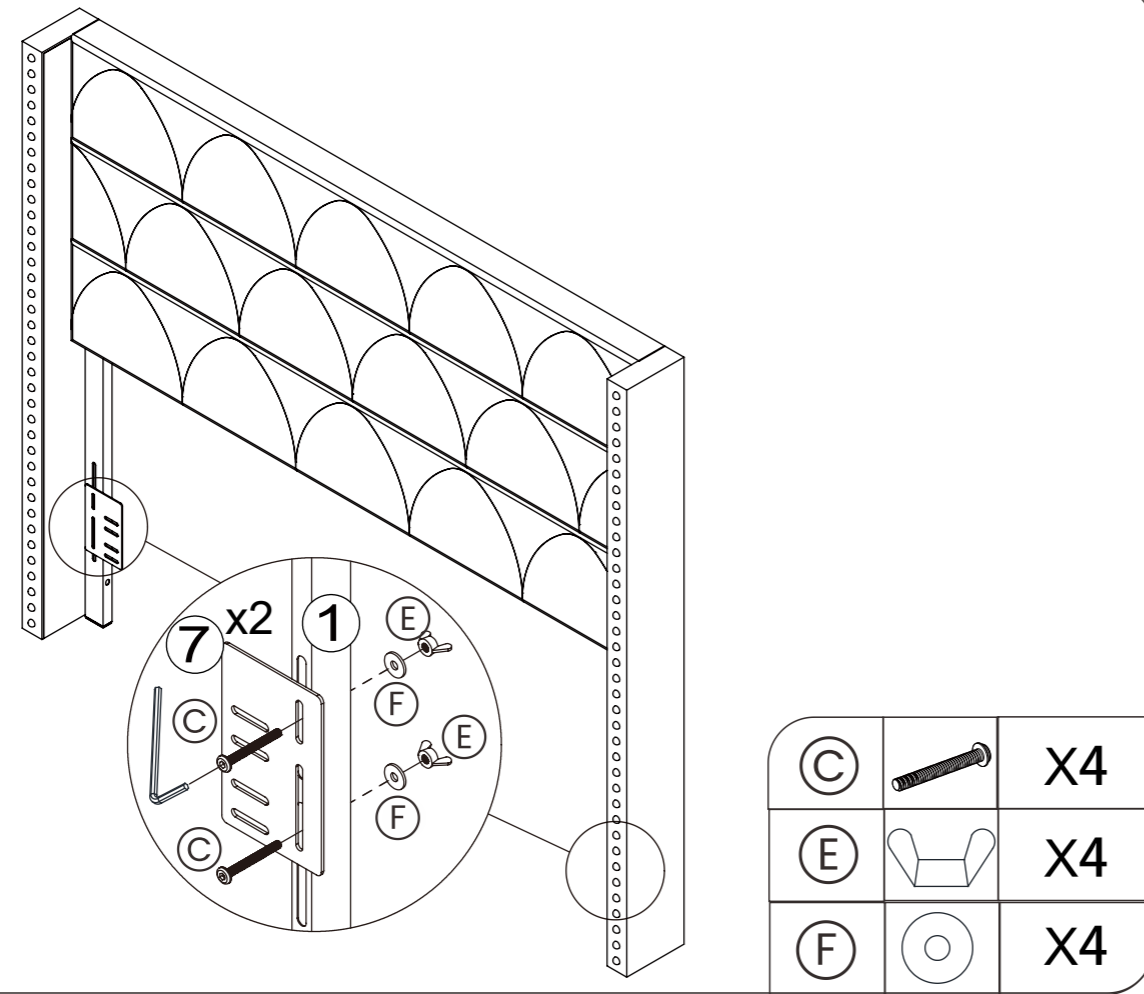


(D)		X6
-----	--	----

✓ CHECK ALL PARTS

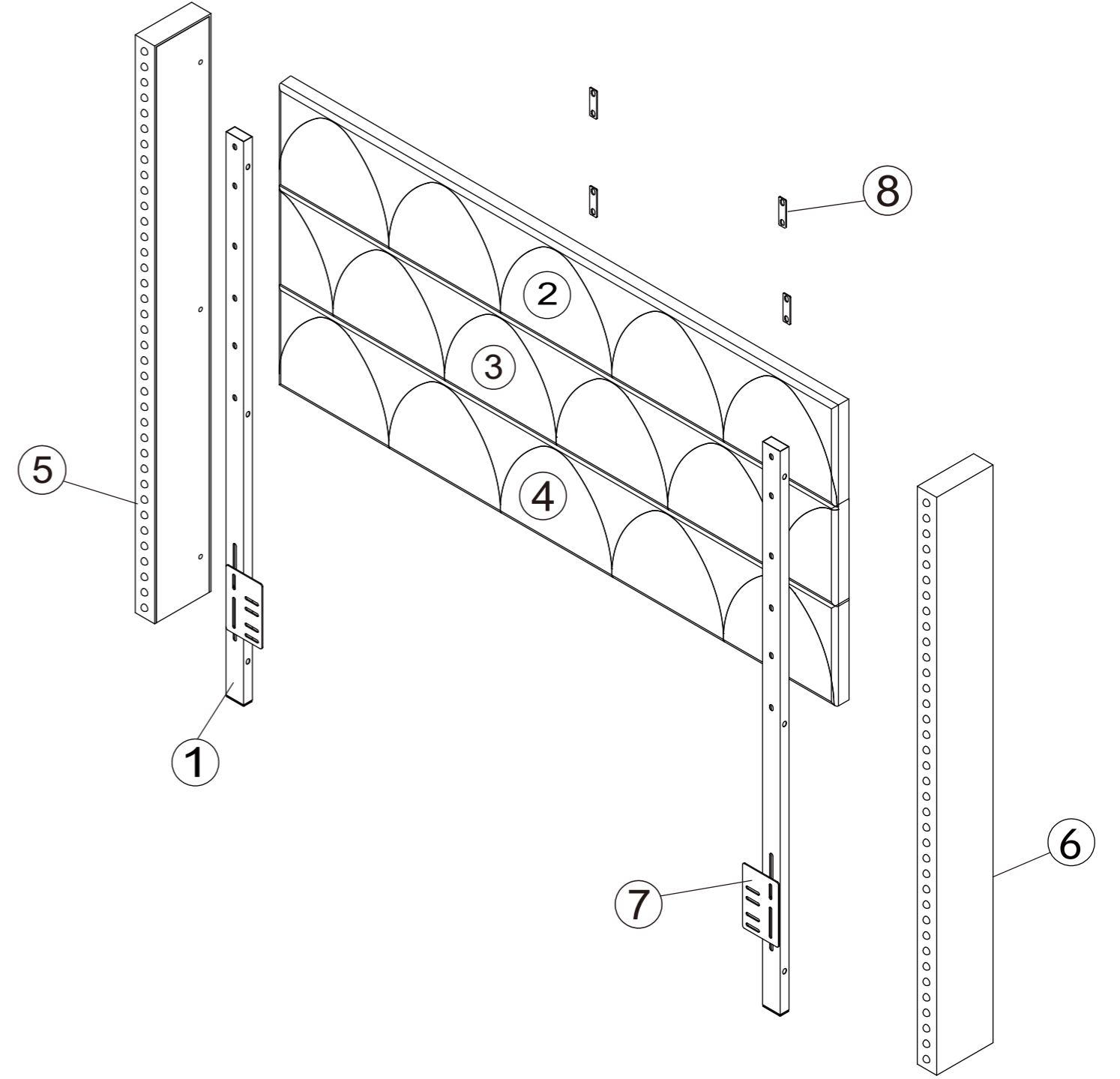
- Are you missing anything?
Double-check that all parts, hardware, and accessories listed on Pages 3-4 are accounted for. We can send any missing parts.
- Should we send any replacements?
If there are any flaws in the parts, we can send replacements!

Step 4



(C)		X4
(E)		X4
(F)		X4

5



2

