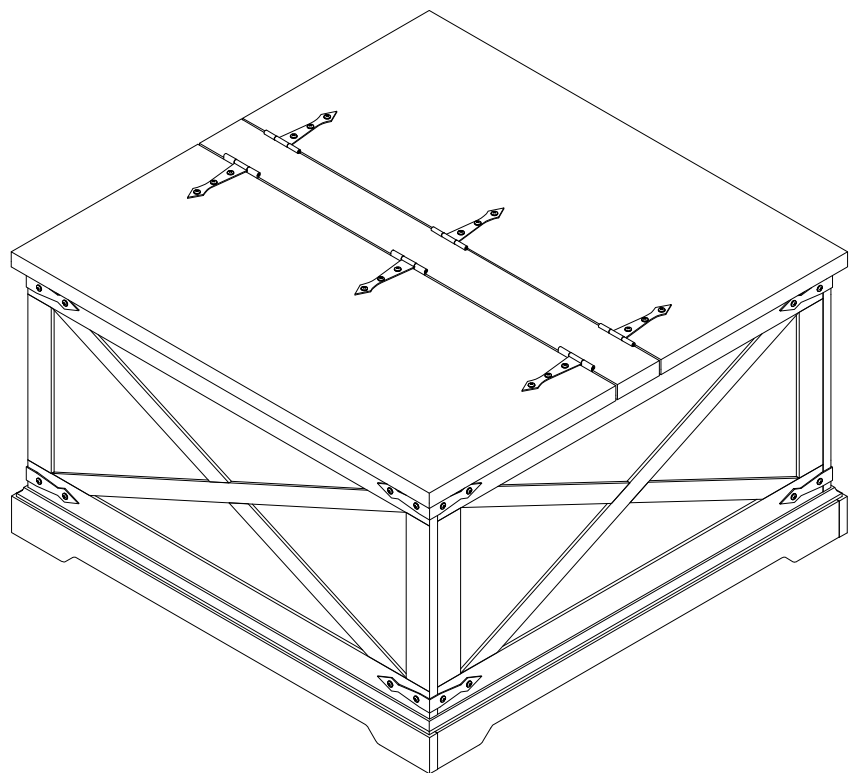


Assembling Instruction

Generating Drawings



ATTENTION

If there is any missing, please kindly send us messages to let us know the name of missing part regarding to the first page of instructions.

Please also provide us your full address so we can send replacement to you as soon as possible

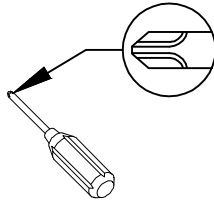
We are concerned about each customer's experience, if there is any loss or damage, please contact us at any time, we will provide effective solutions.

Please attach your Order ID so that we can assist you better

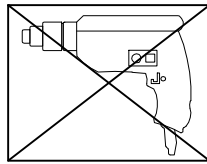


General Assembly Guidelines

- I. Ensure that all Parts and hardware are available before beginning assembly.
- II. Follow each step carefully to ensure the proper assembly of this Product.
- III. Two People are recommended for ease in the assembly of this Product.
- IV. The three main types of hardware used to assemble this Product are : wood dowels , screws and bolts.
- VI. A Phillips head screwdriver is required for the assembly of this Product .

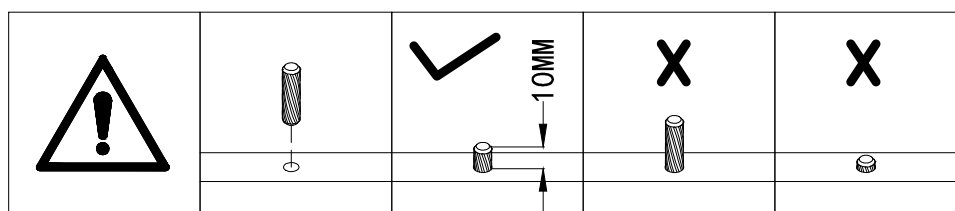
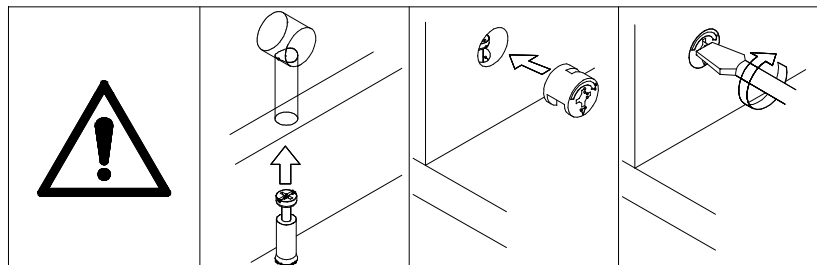
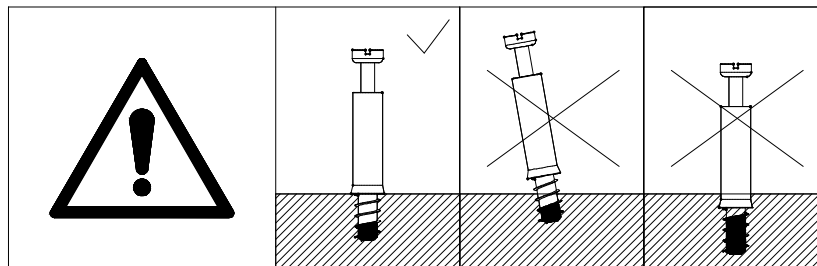


- VI. Power tools should not be used to assemble this Product .

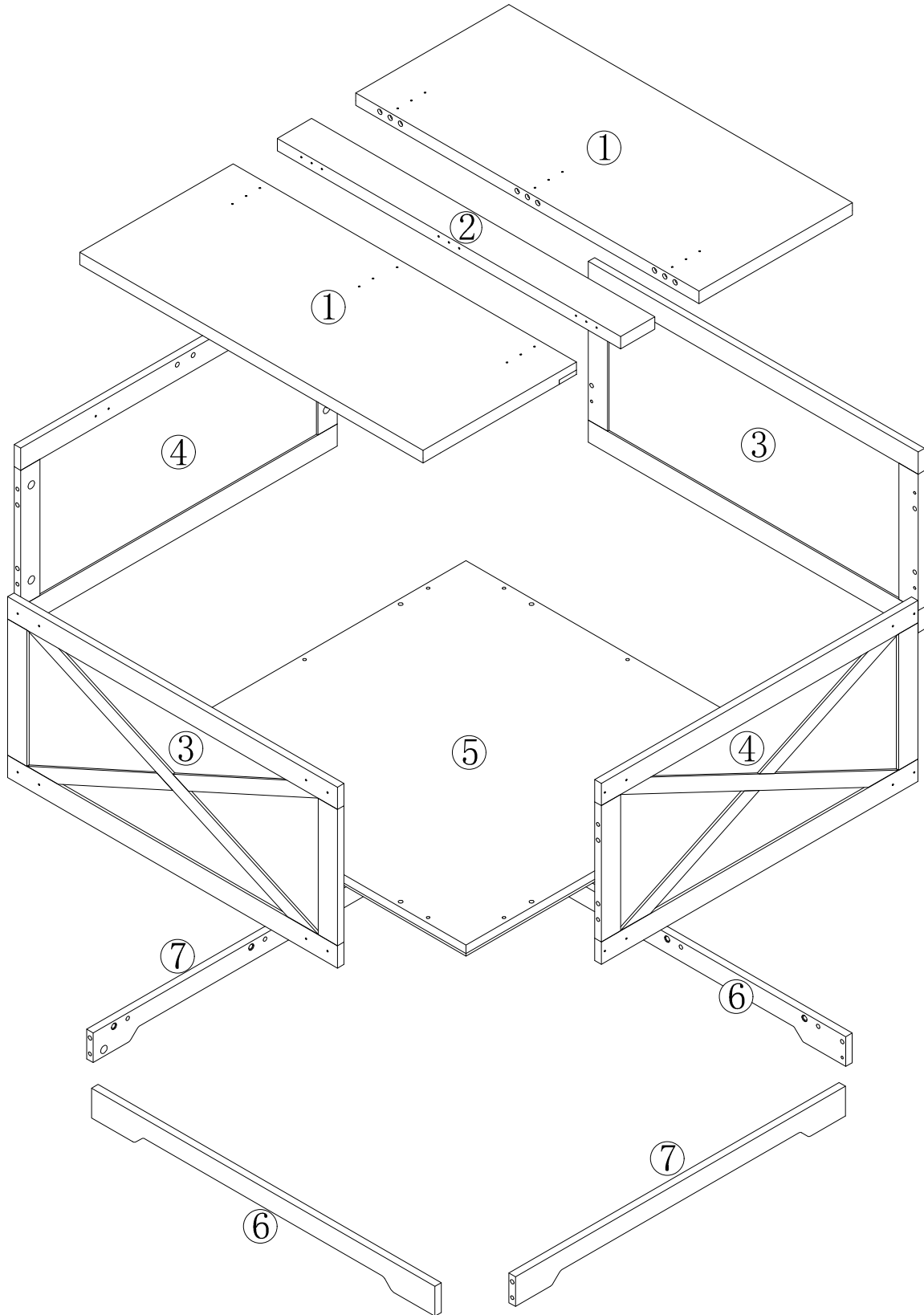


CAM LOCK/BOLT FASTENING INTRODUCTION

(You will use it during assembly)

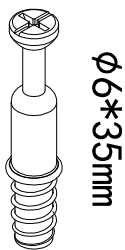


Parts List



HARDWARE PACK CONTENT

A



$\phi 6 * 35 \text{mm}$

12X + 1

B



$\phi 15 * 11.5 \text{mm}$

12X + 1

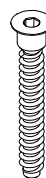
C



$\phi 8 * 30 \text{mm}$

20X + 1

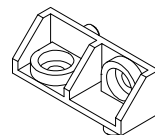
D



$\phi 5 * 40 \text{mm}$

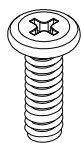
12X + 1

E



12X + 1

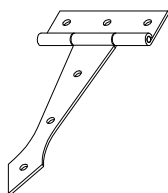
F



M6 * 12mm

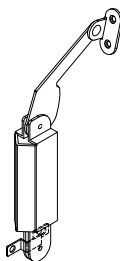
32X + 2

G



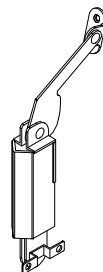
6X

H



2X

I



2X

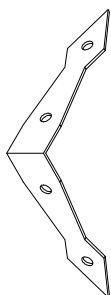
J



$\phi 3.5 * 14 \text{mm}$

52X + 4

K



8X

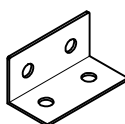
L



$\phi 4 * 12 \text{mm}$

32X + 2

M



2X

N



1X

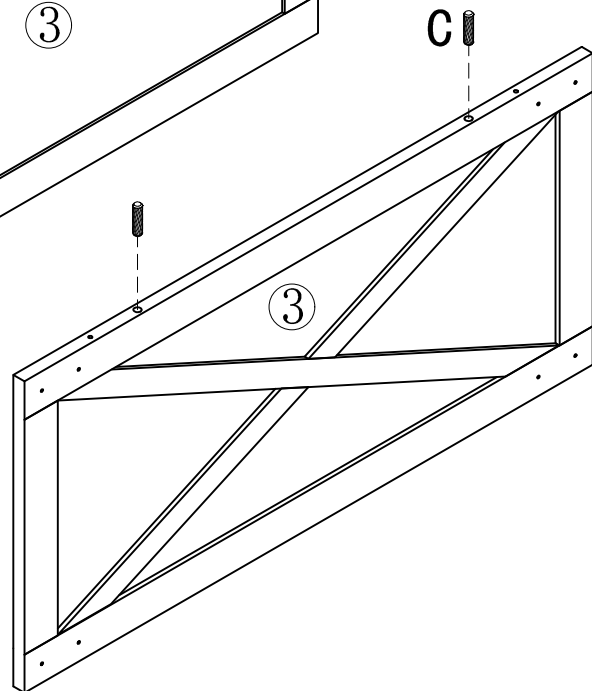
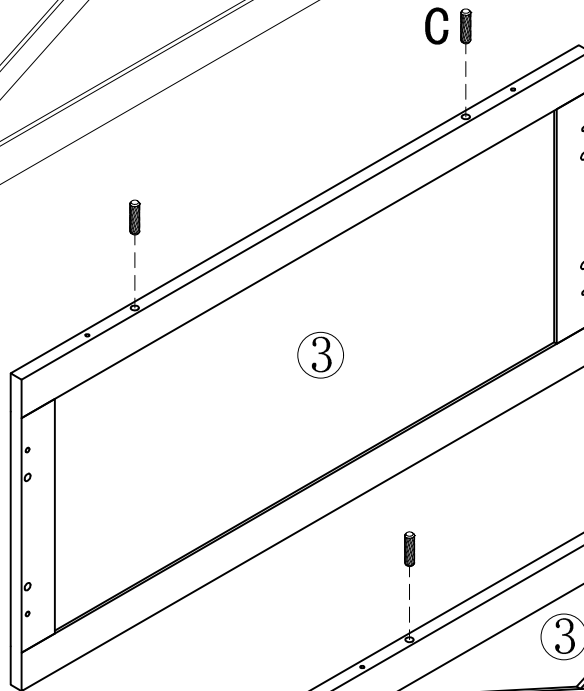
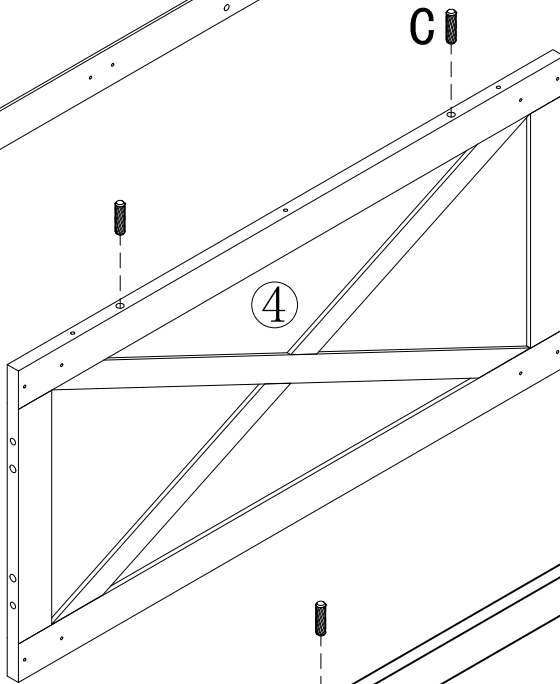
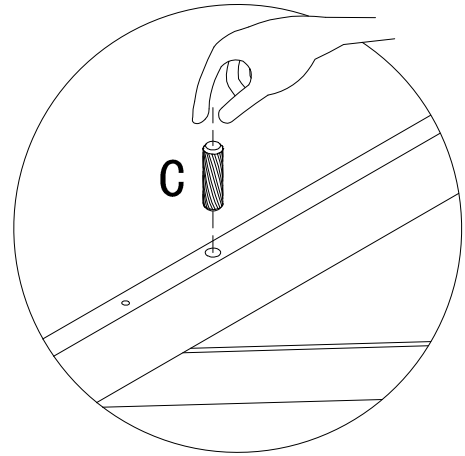
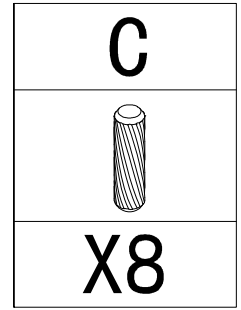
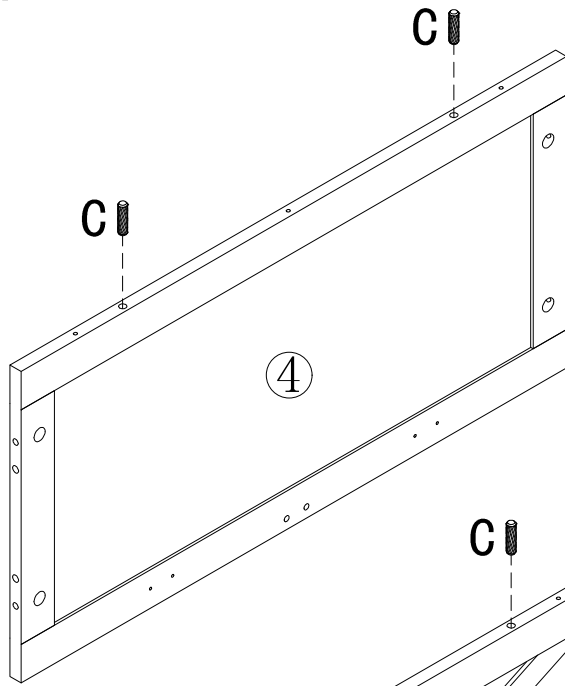
O



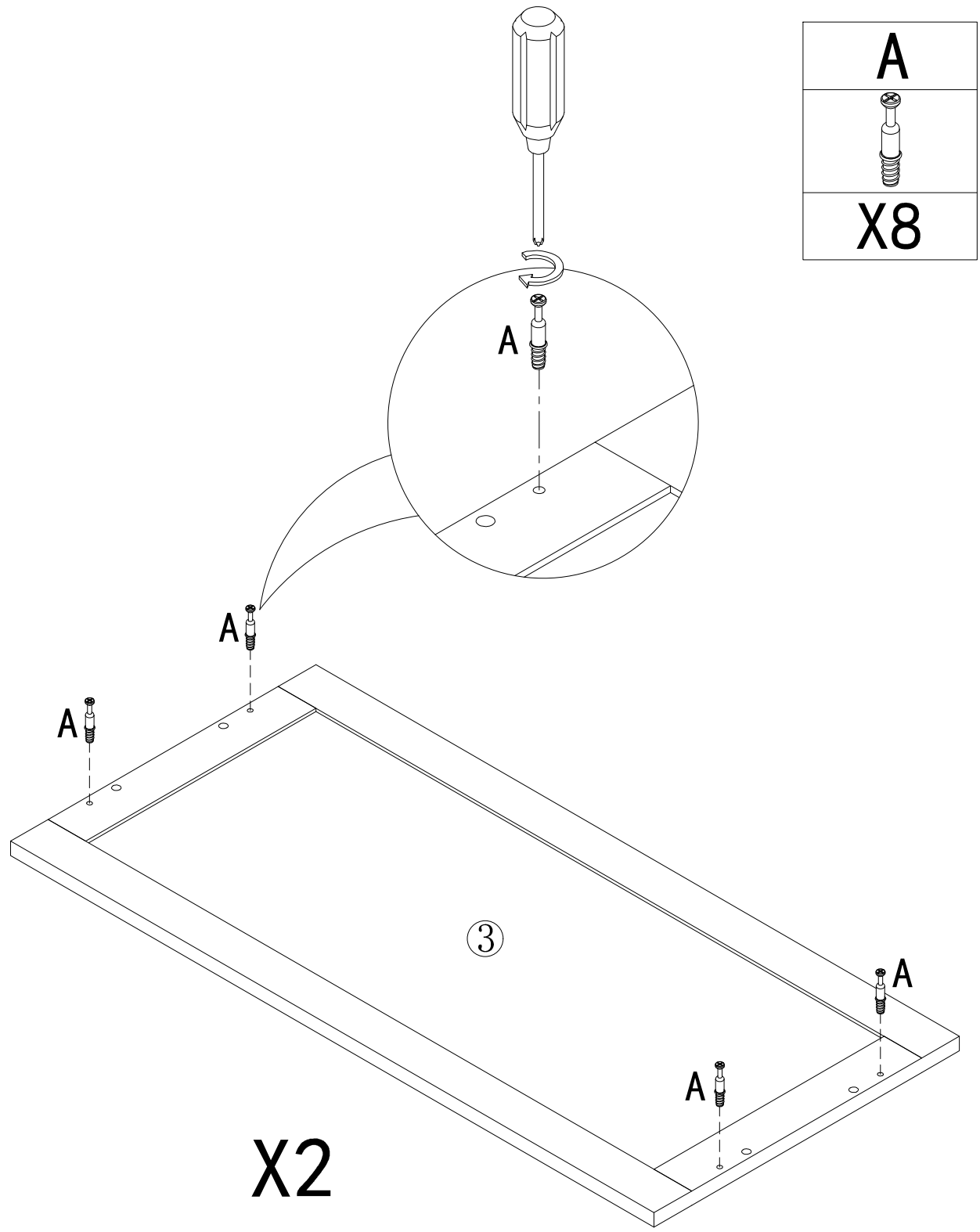
$\phi 25 \text{mm}$

8X + 4



Step 1

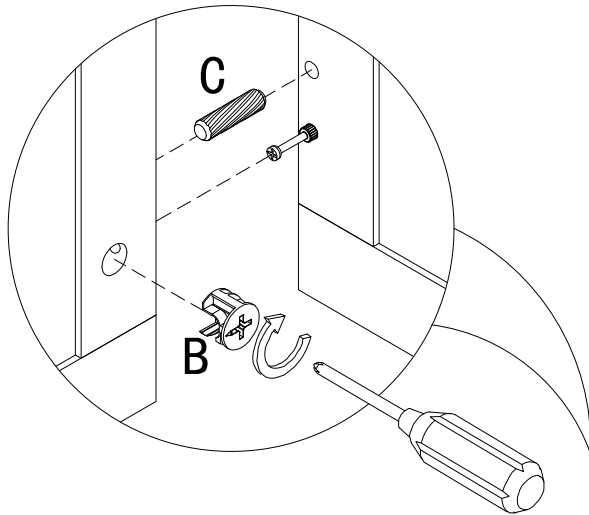


Step 2

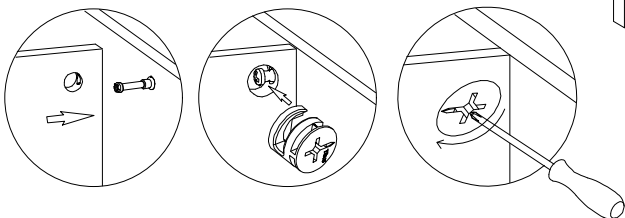
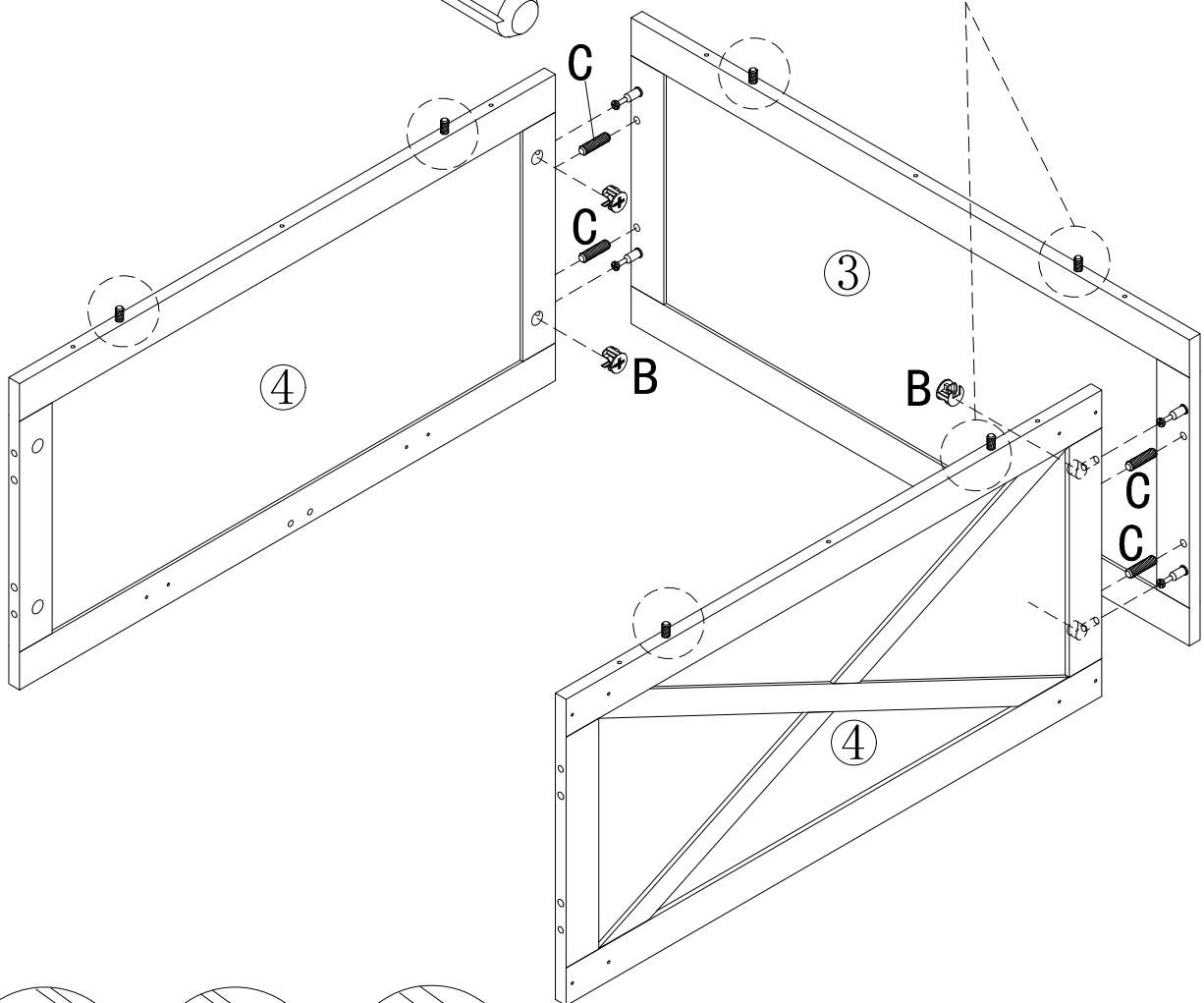


Step 3

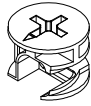

B	C
	
X4	X4

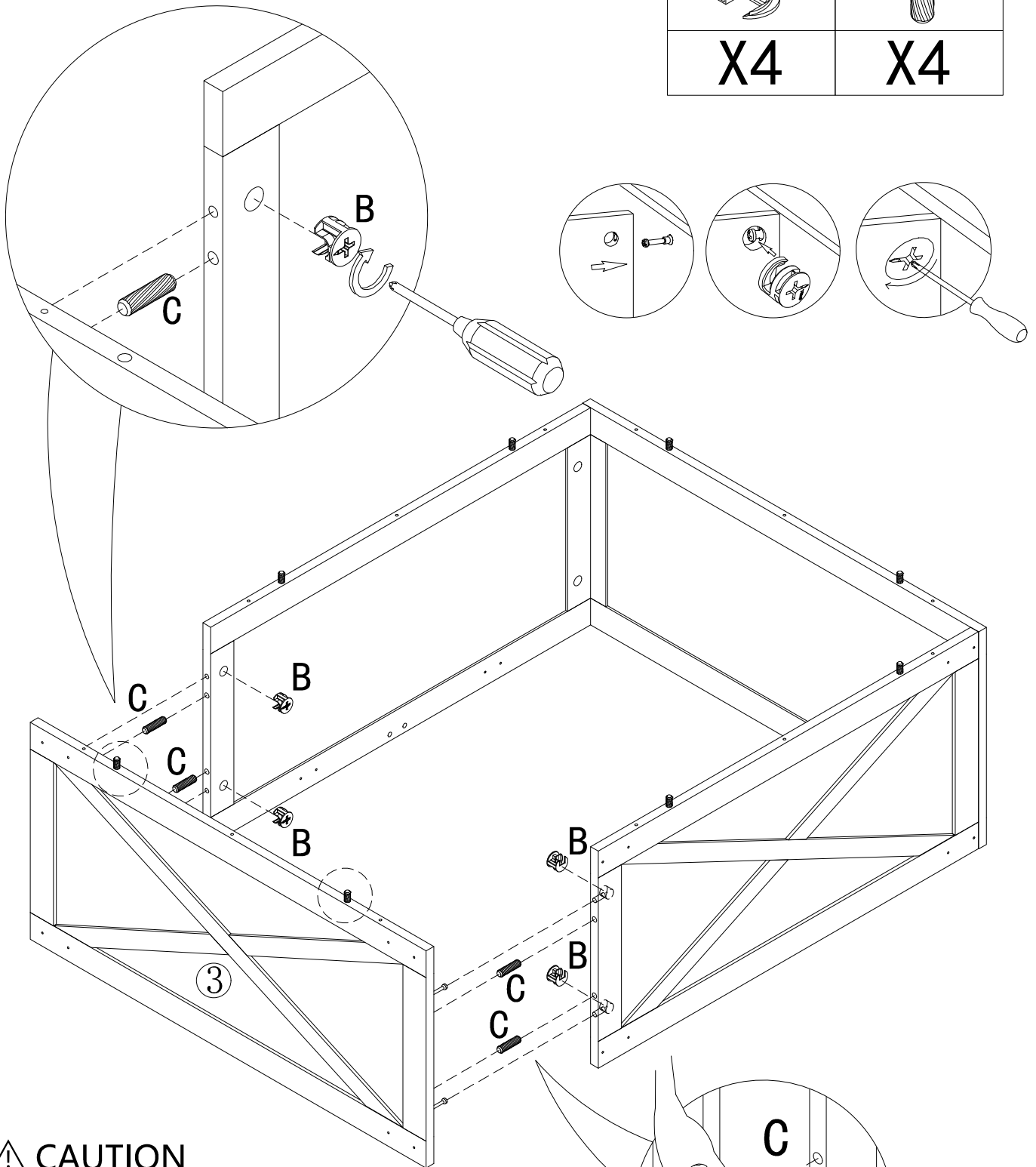


⚠ CAUTION
Firstly, please turn the side with the wooden dowels up.



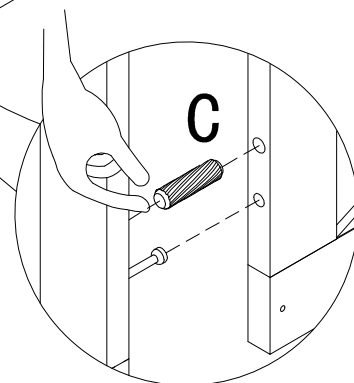
Step 4

B	C
	
X4	X4

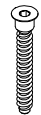



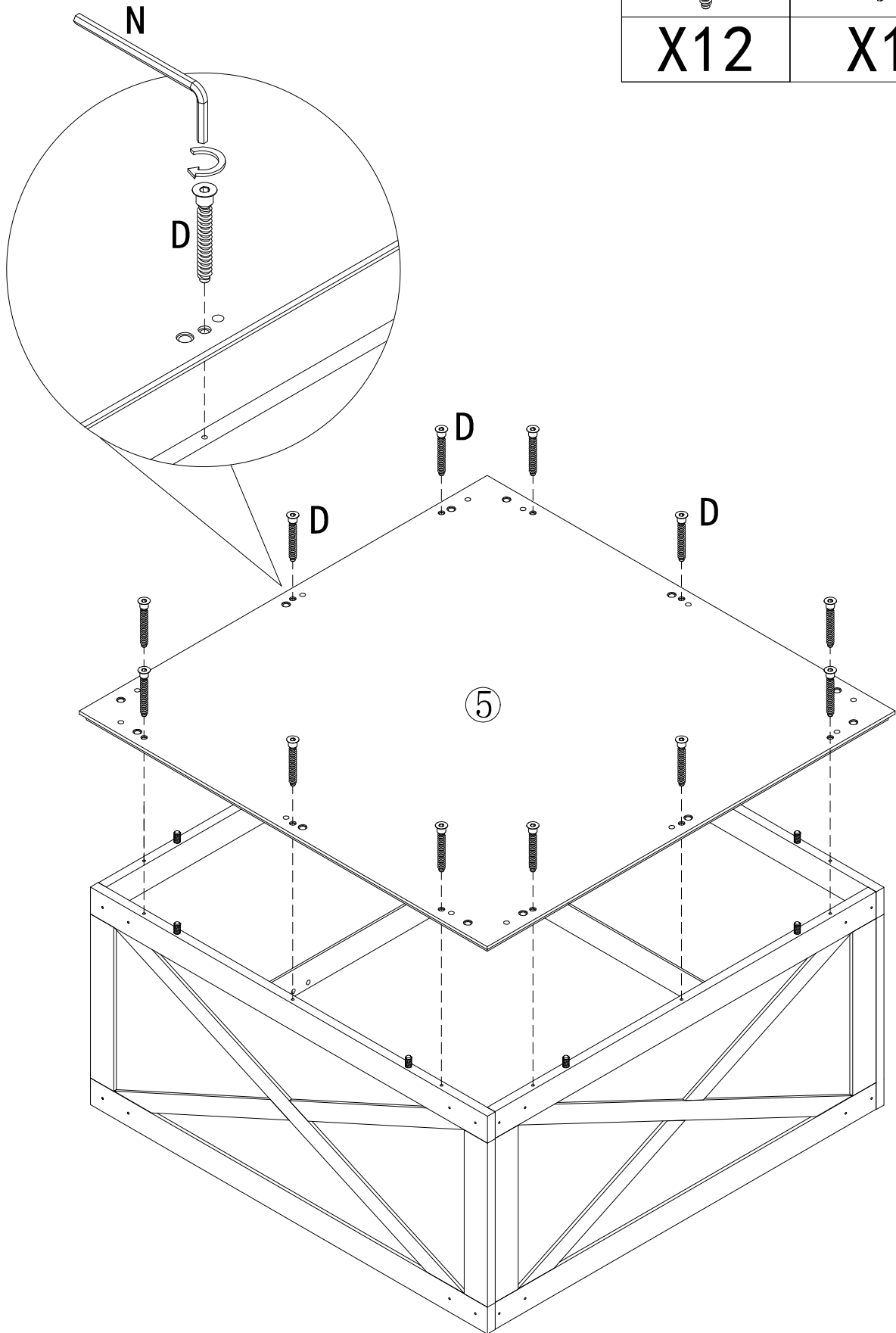
⚠ CAUTION

Firstly, please turn the side with the wooden dowels up.

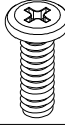

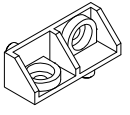


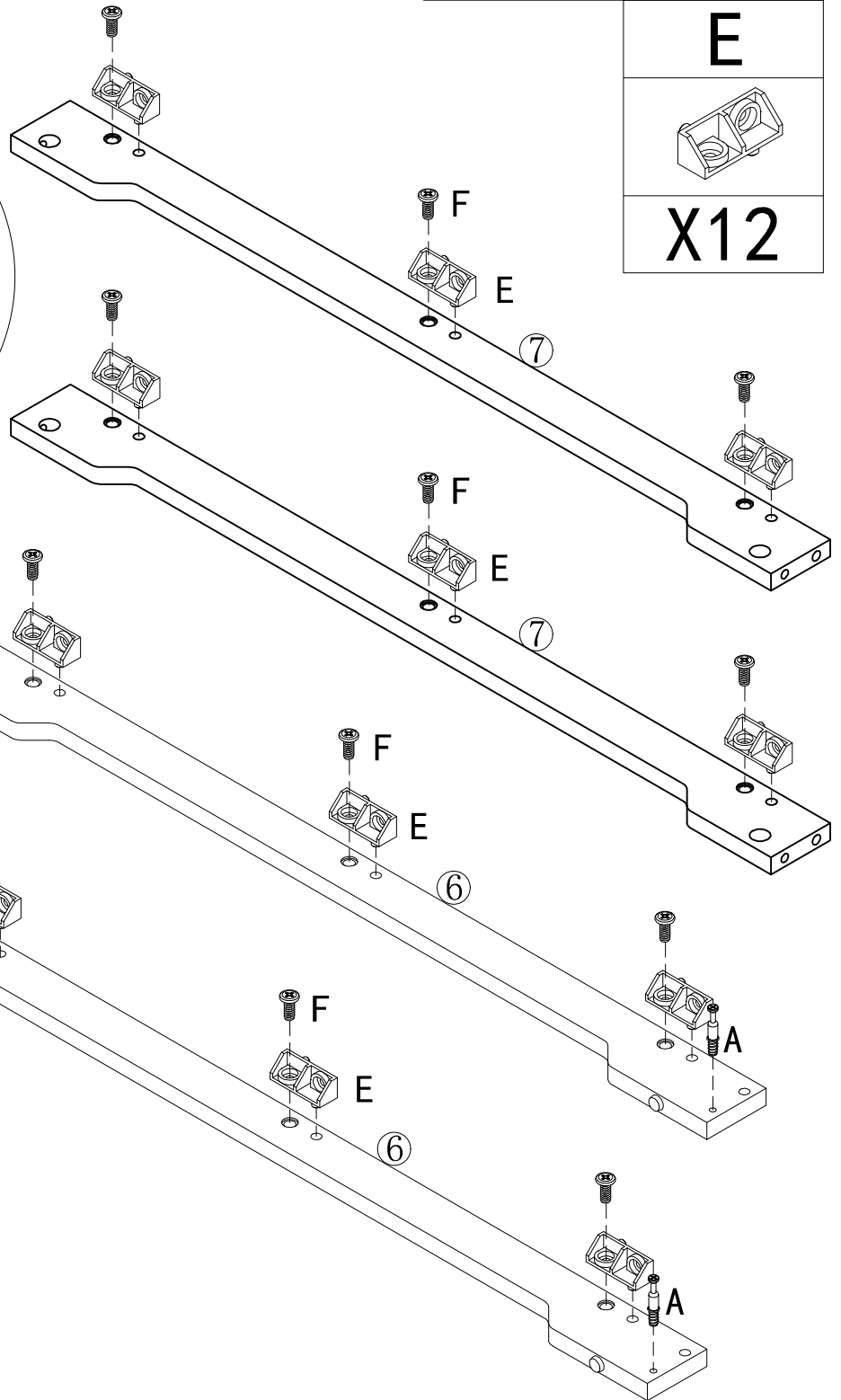
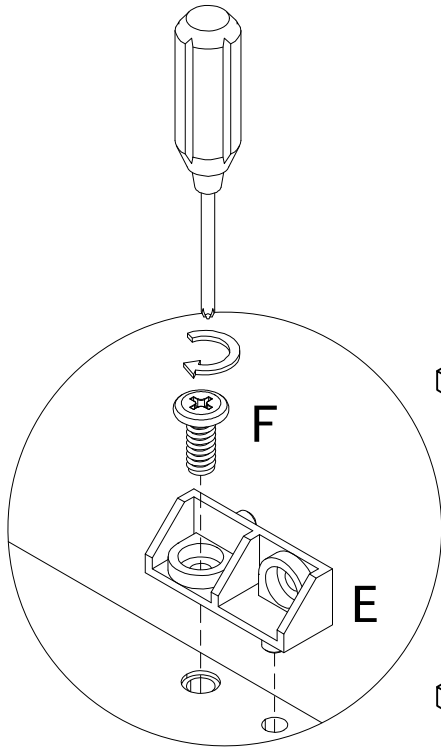
Step 5

D	N
	
X12	X1





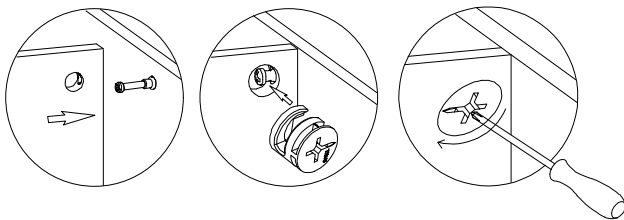
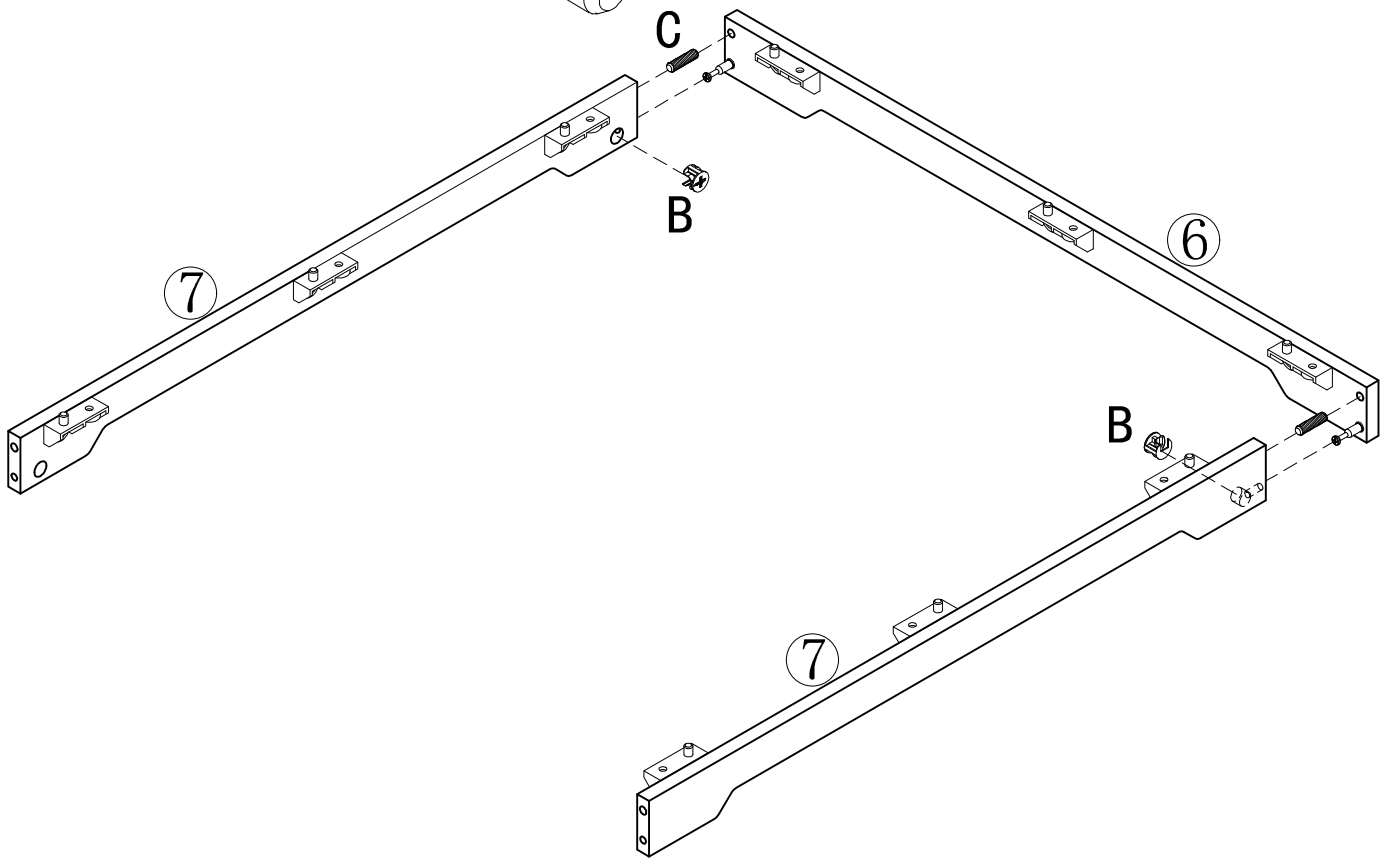
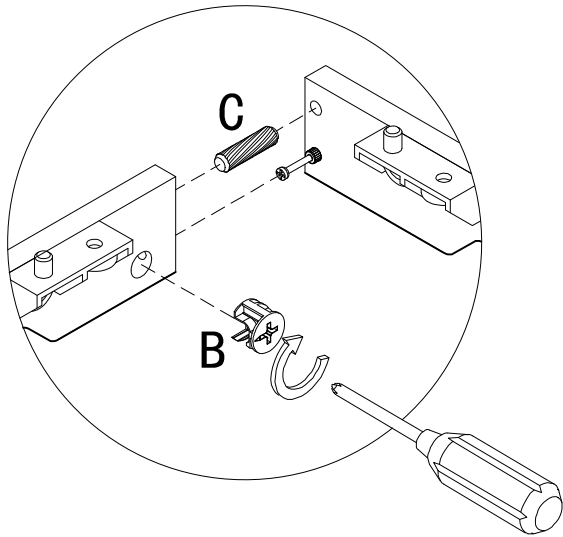
Step 6

F	A
	
X12	X4
	E
	
	X12





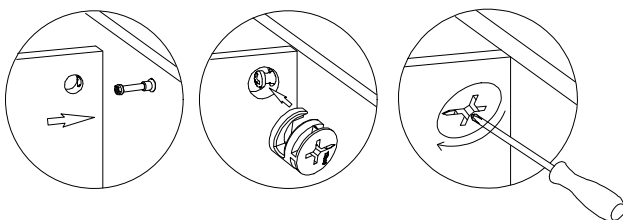
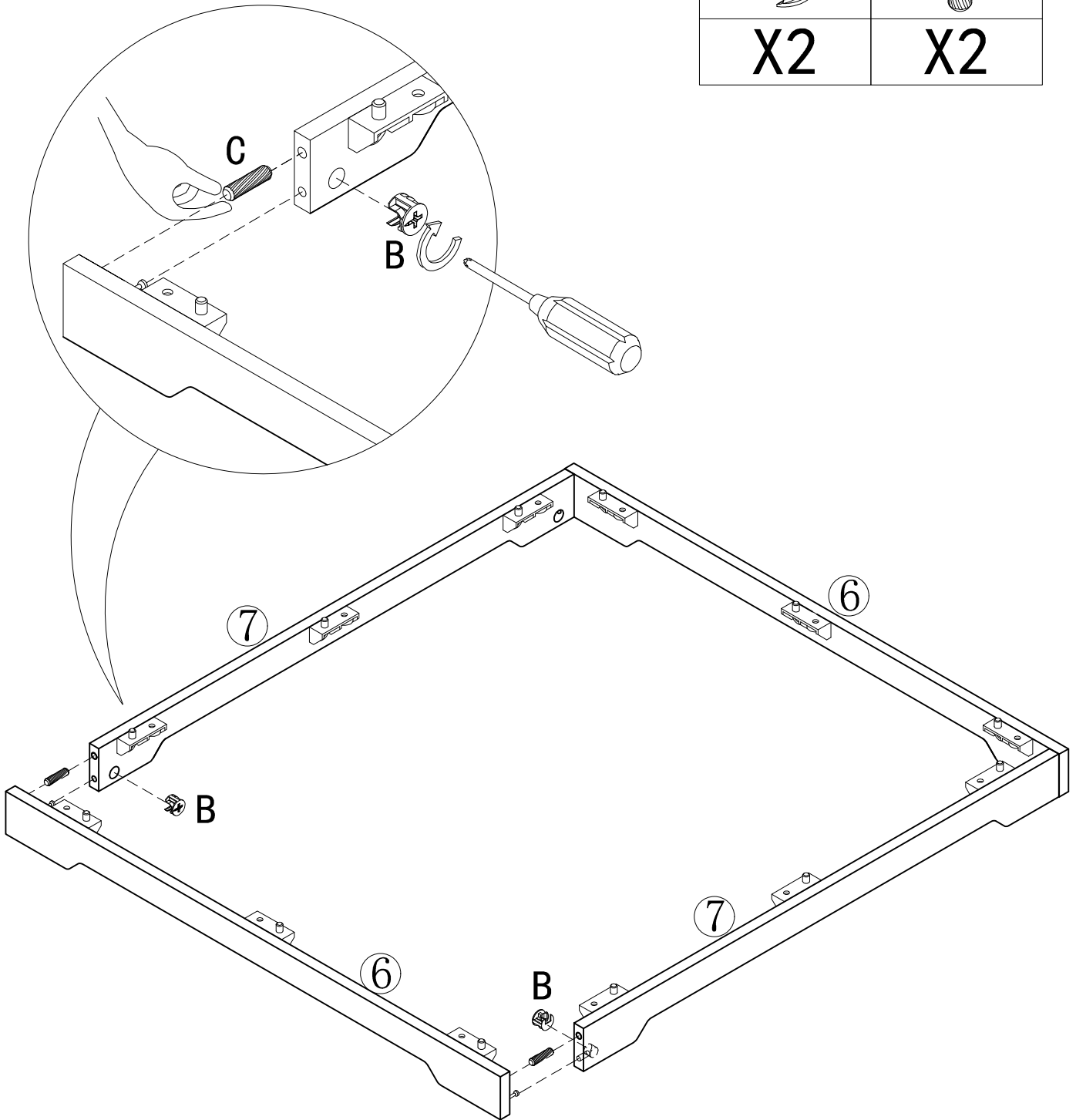
Step 7

B	C
	
X2	X2

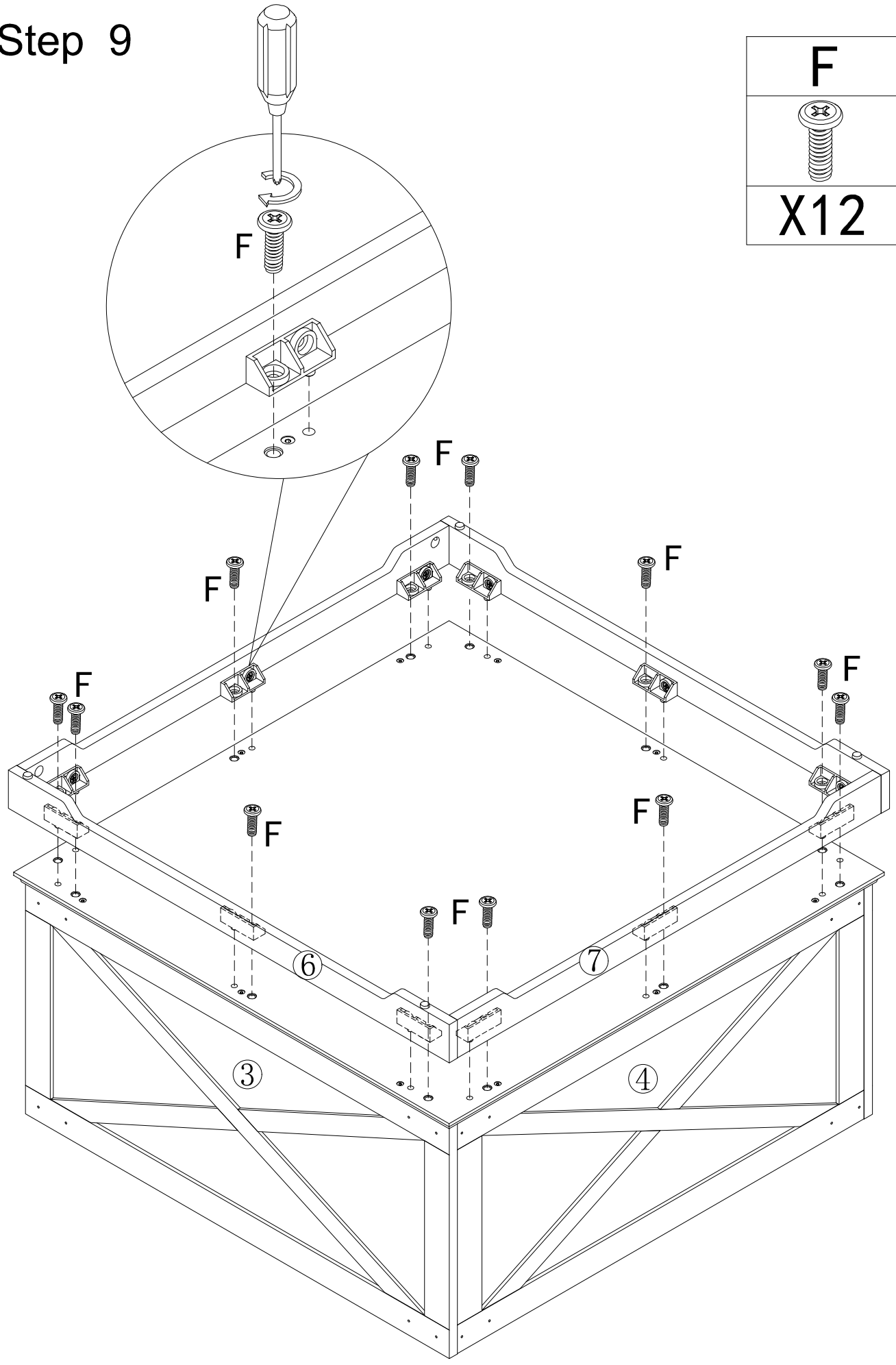
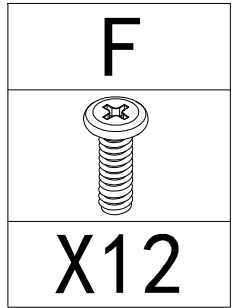


Step 8

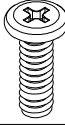
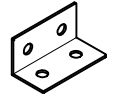
B	C
	
X2	X2

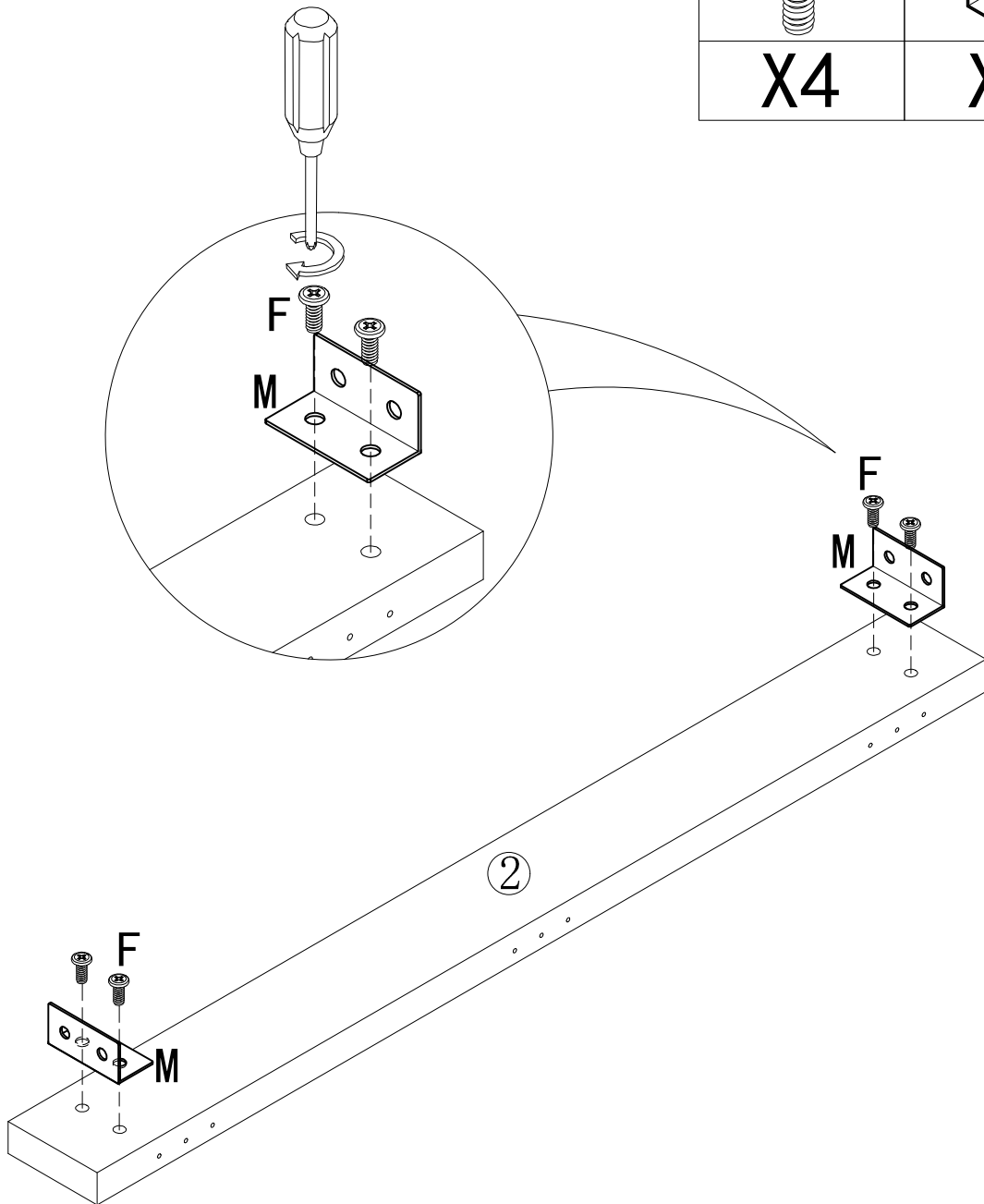


Step 9

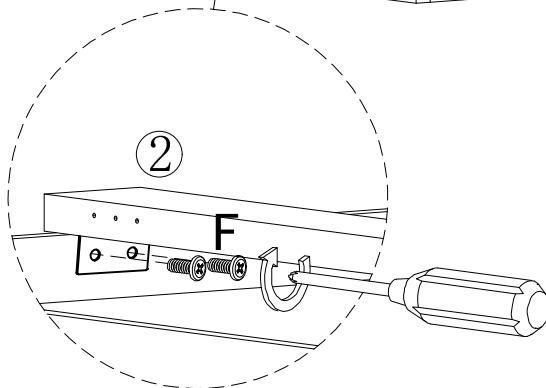
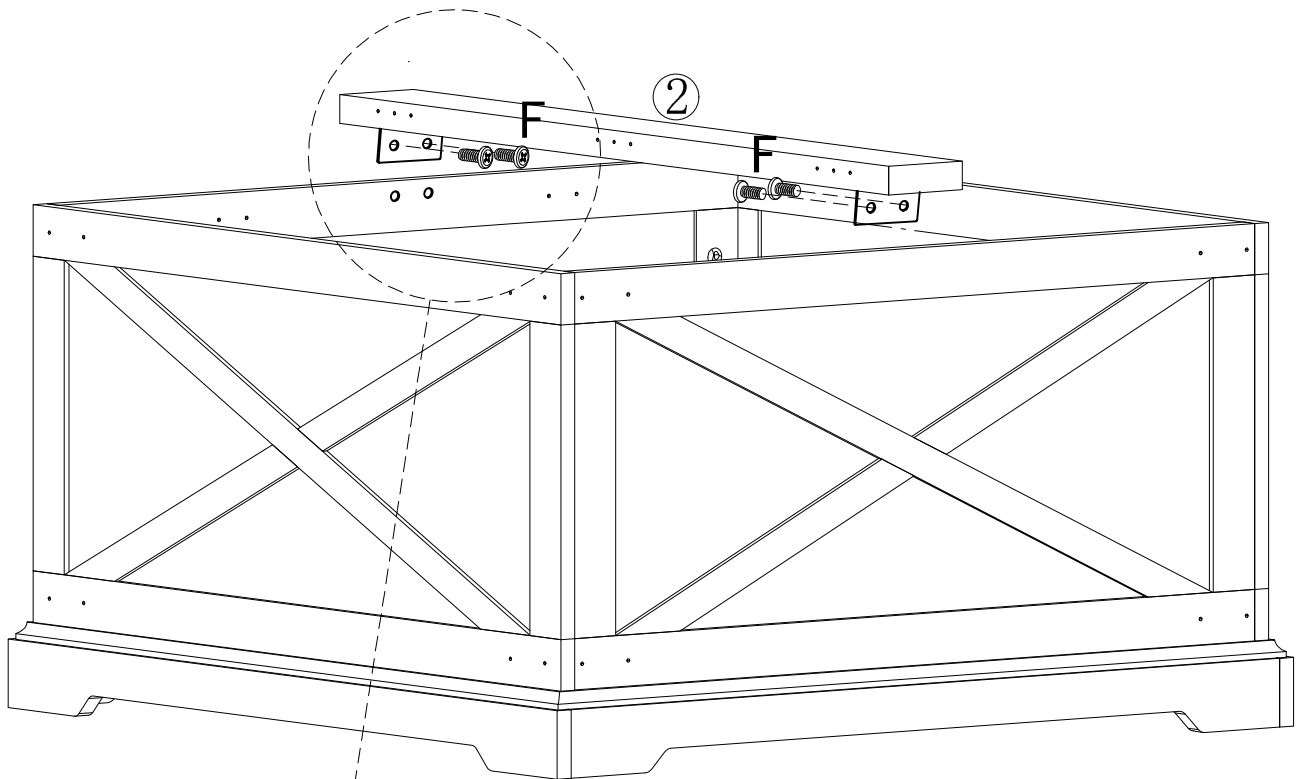
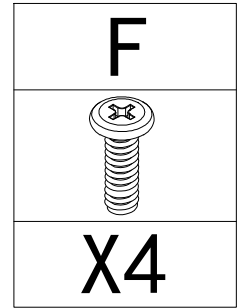


Step 10

F	M
	
X4	X2

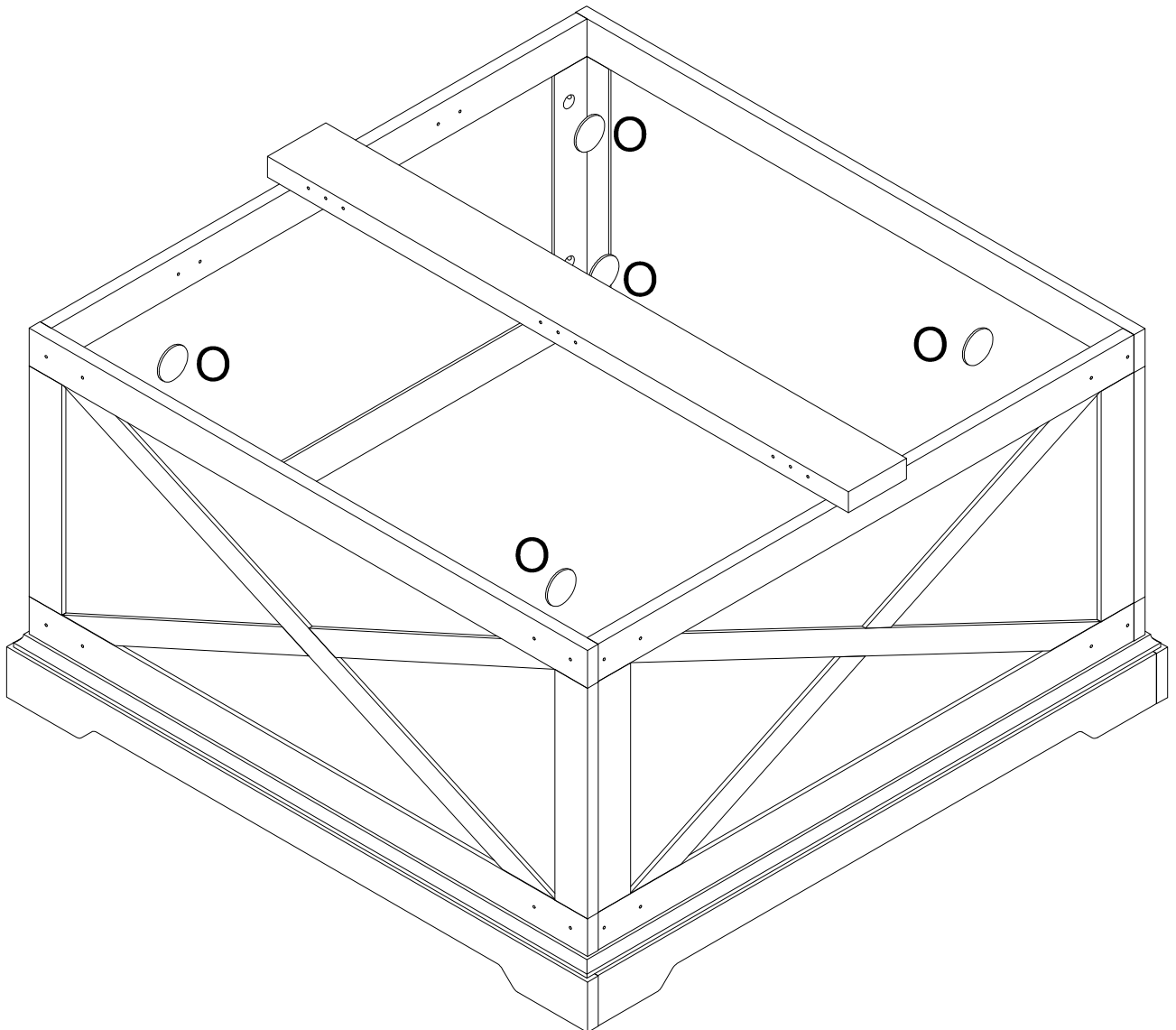
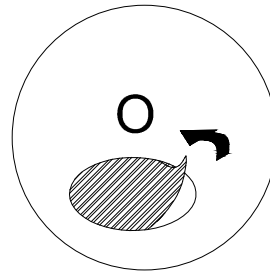
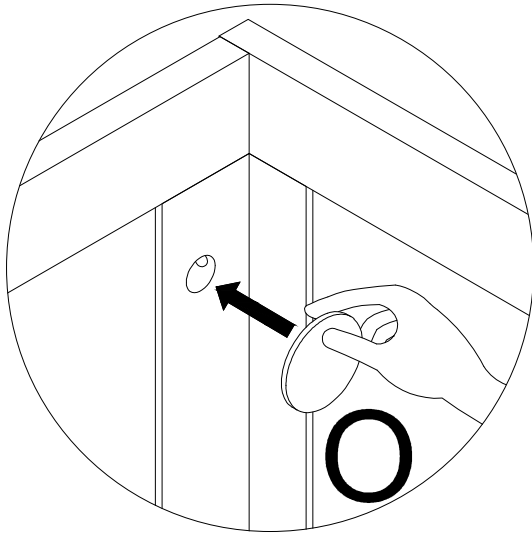


Step 11



Step 12

O
o
X8

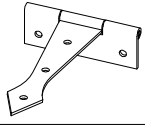
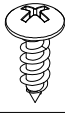


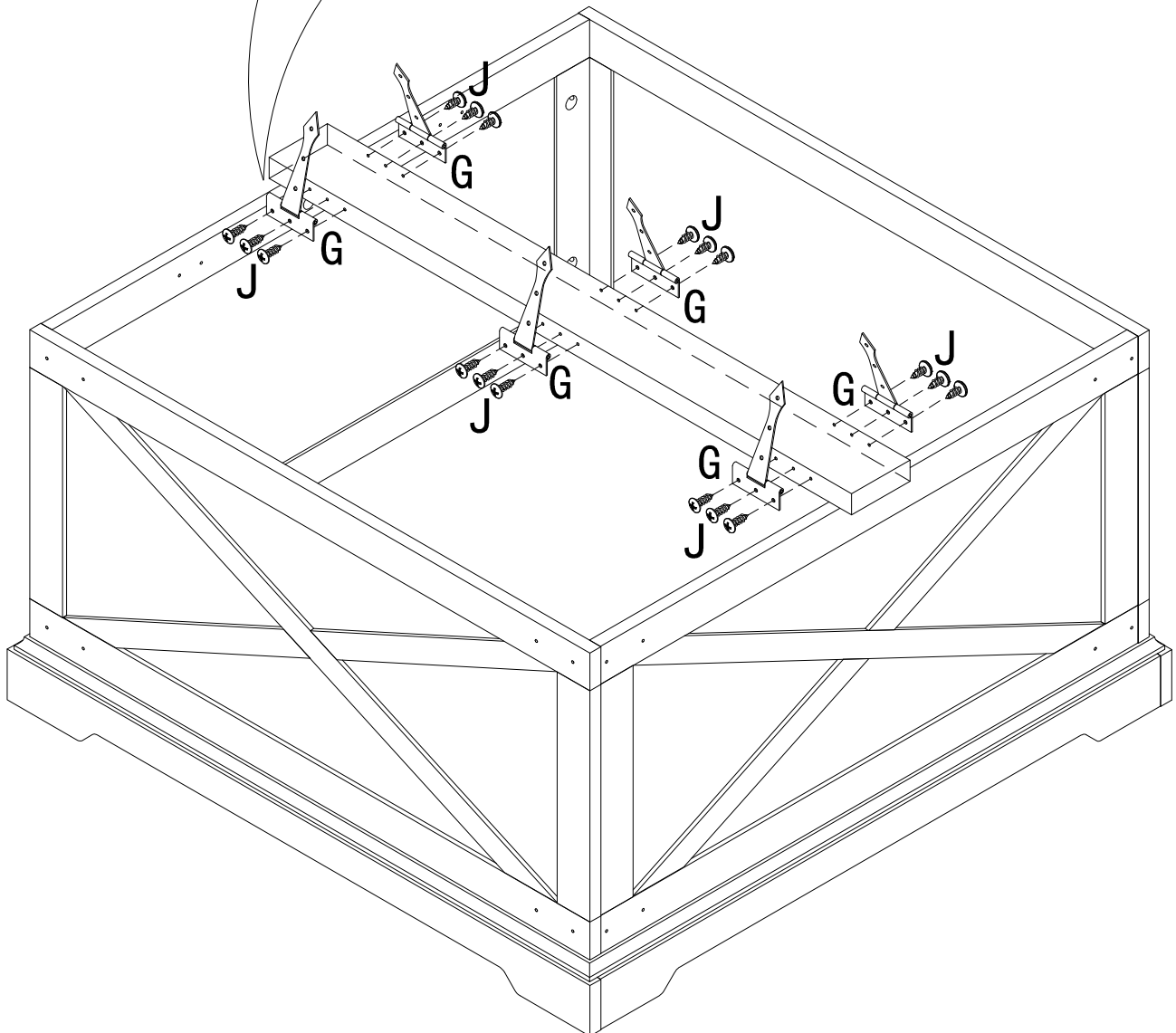
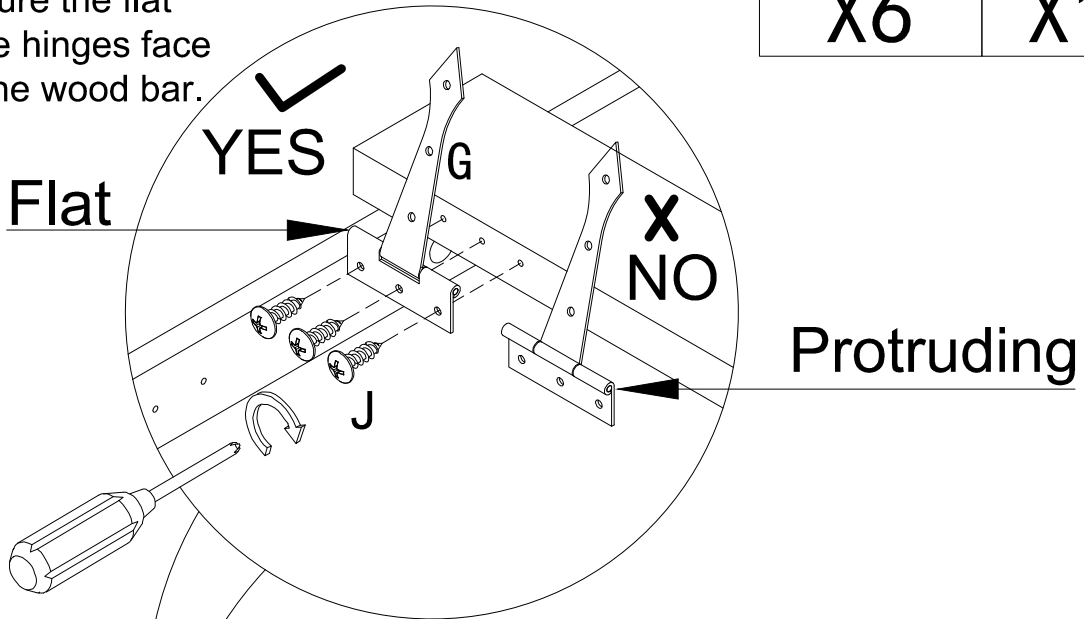
Step 13

⚠ CAUTION

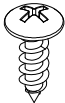
Pay attention to the direction of the hinge

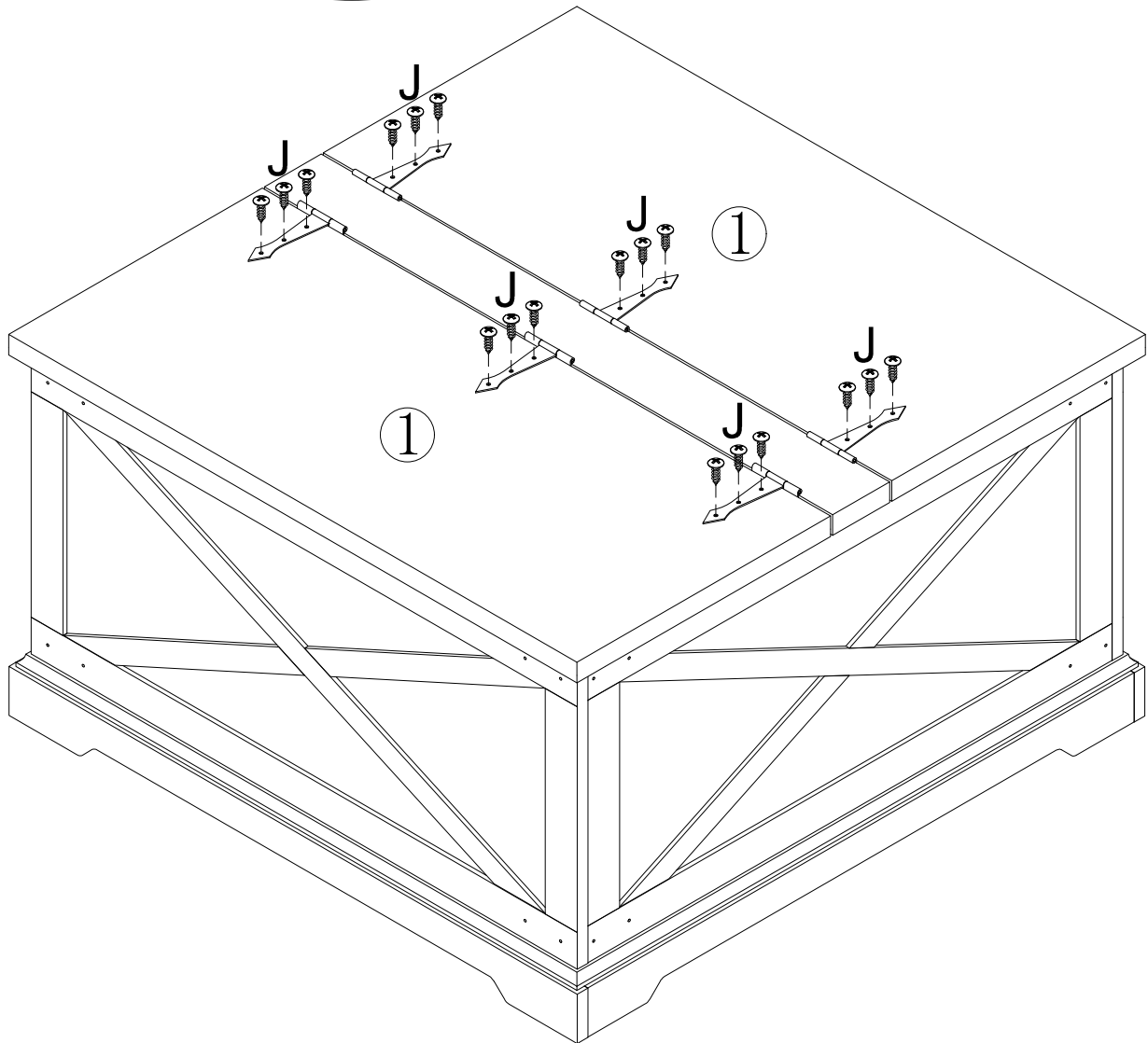
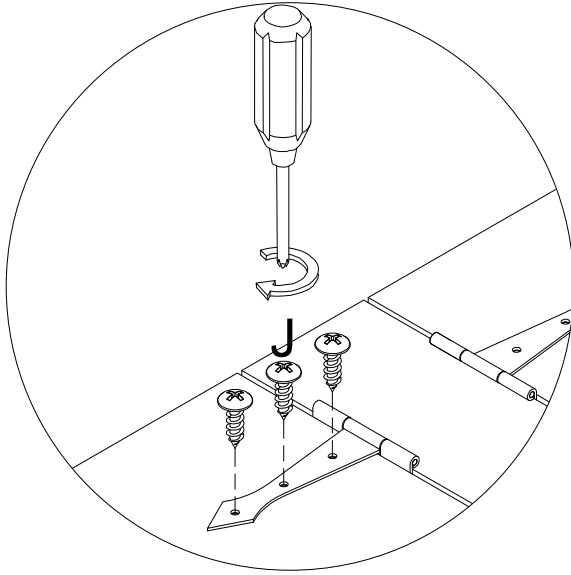
Make sure the flat side of the hinges face outside the wood bar.

G	J
	
X6	X18

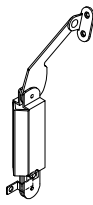
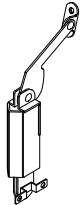
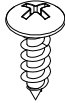


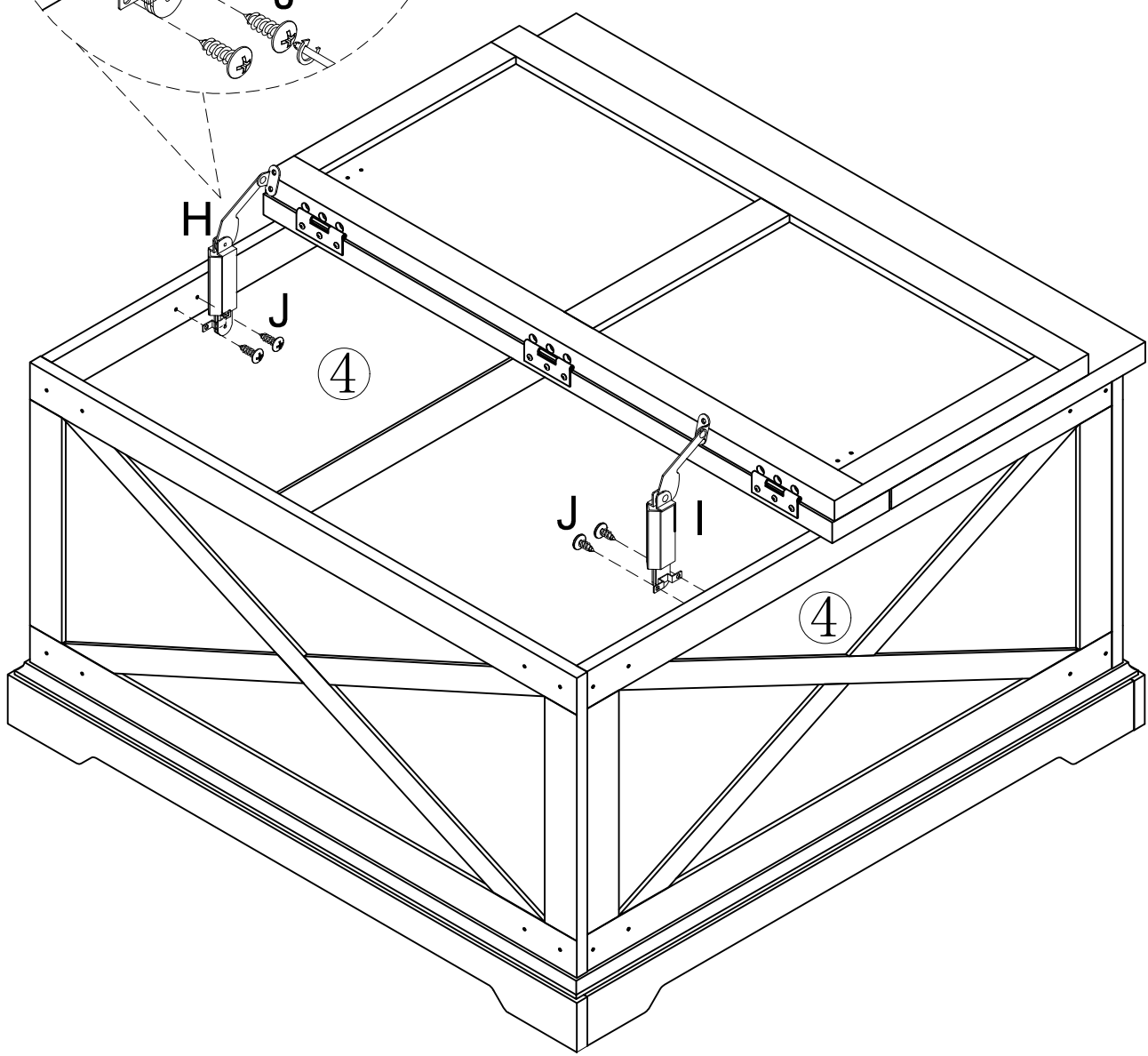
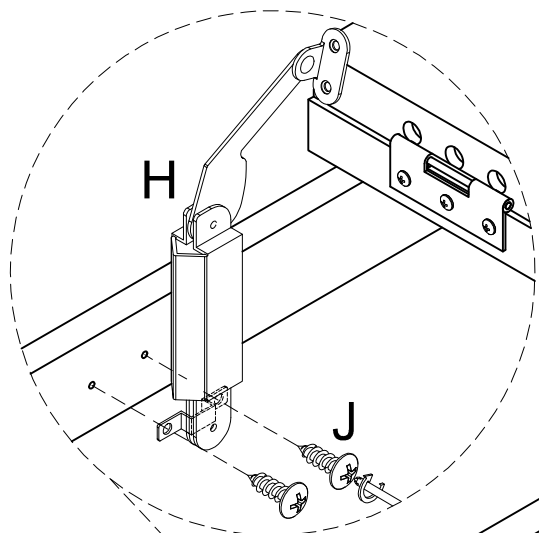
Step 14

J

X18

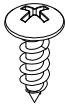


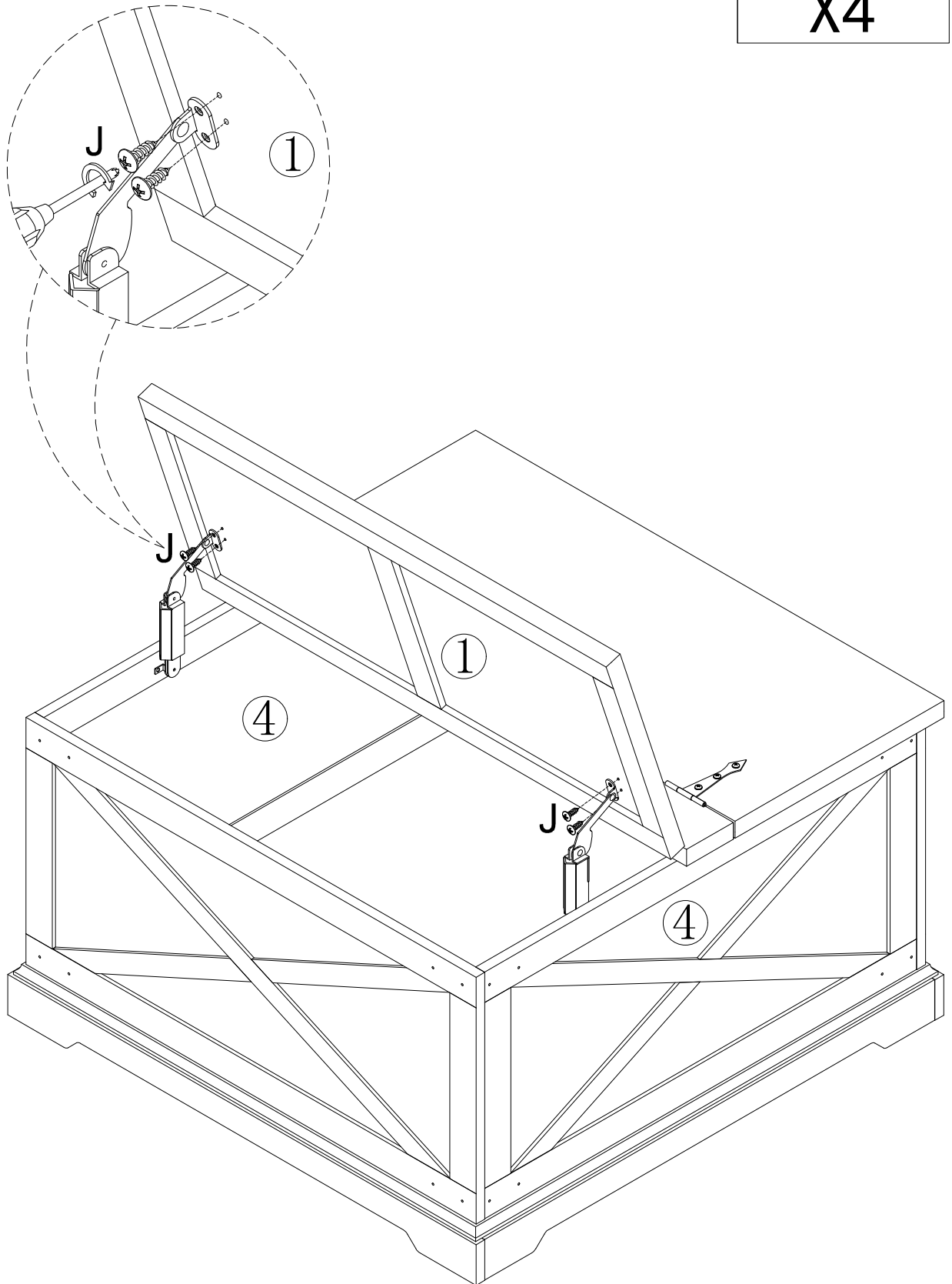
Step 15

H	I
	
X1	X1
	J
	
	X4

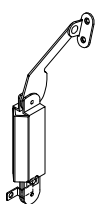
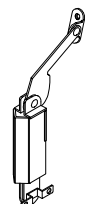
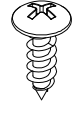


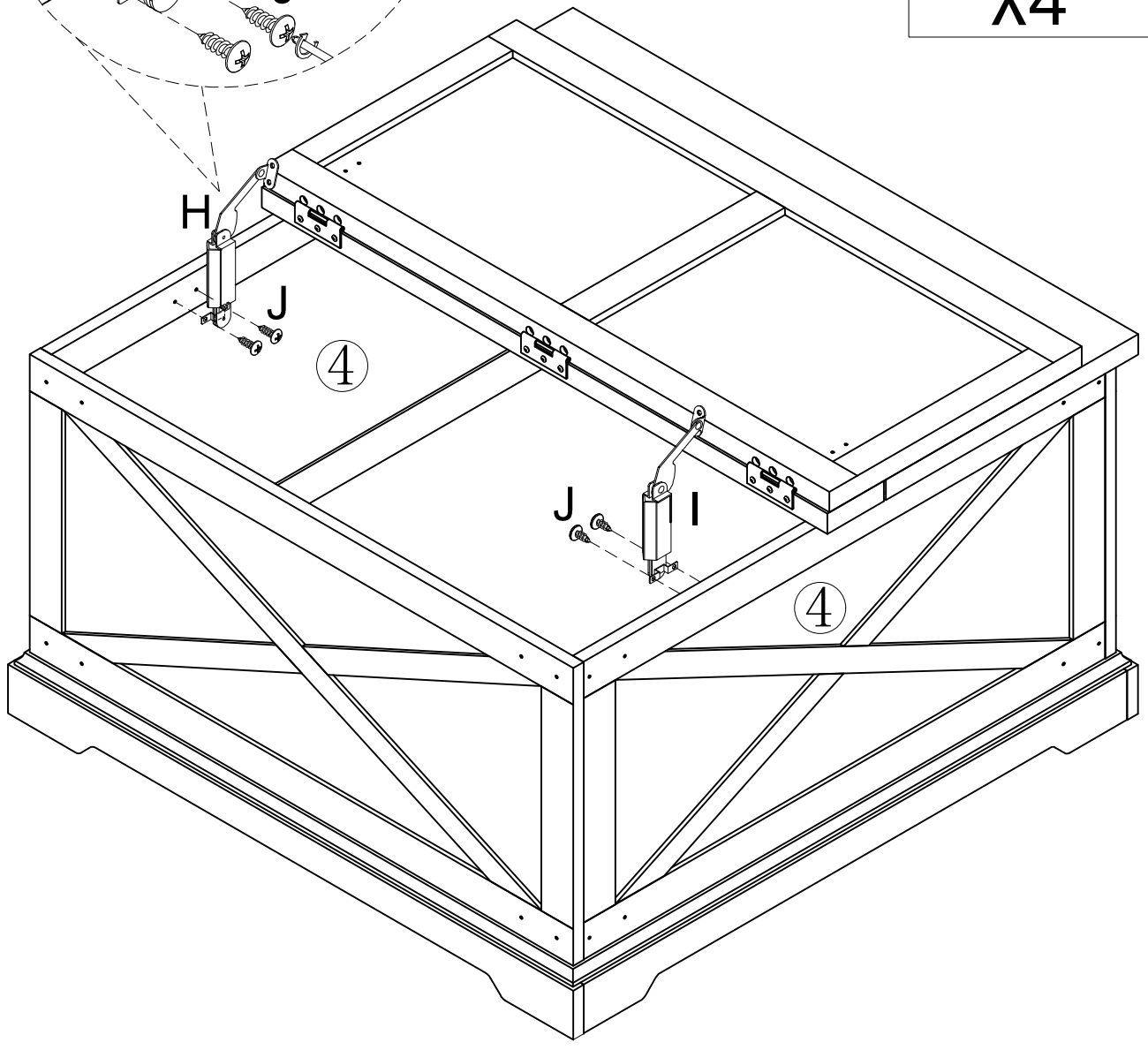
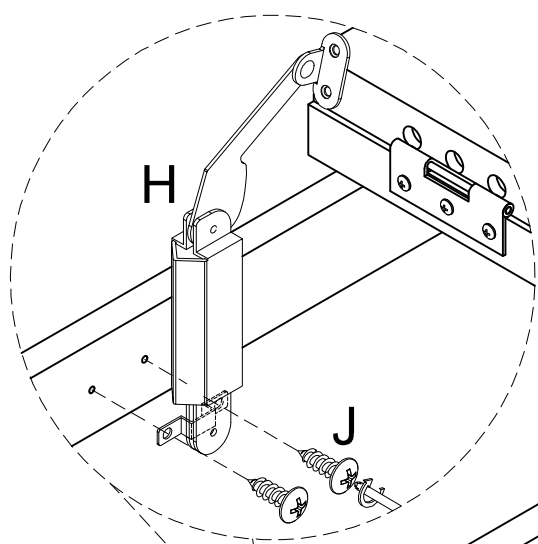
Step 16

J

X4



Step 17

H	I
	
X1	X1
	J
	
	X4

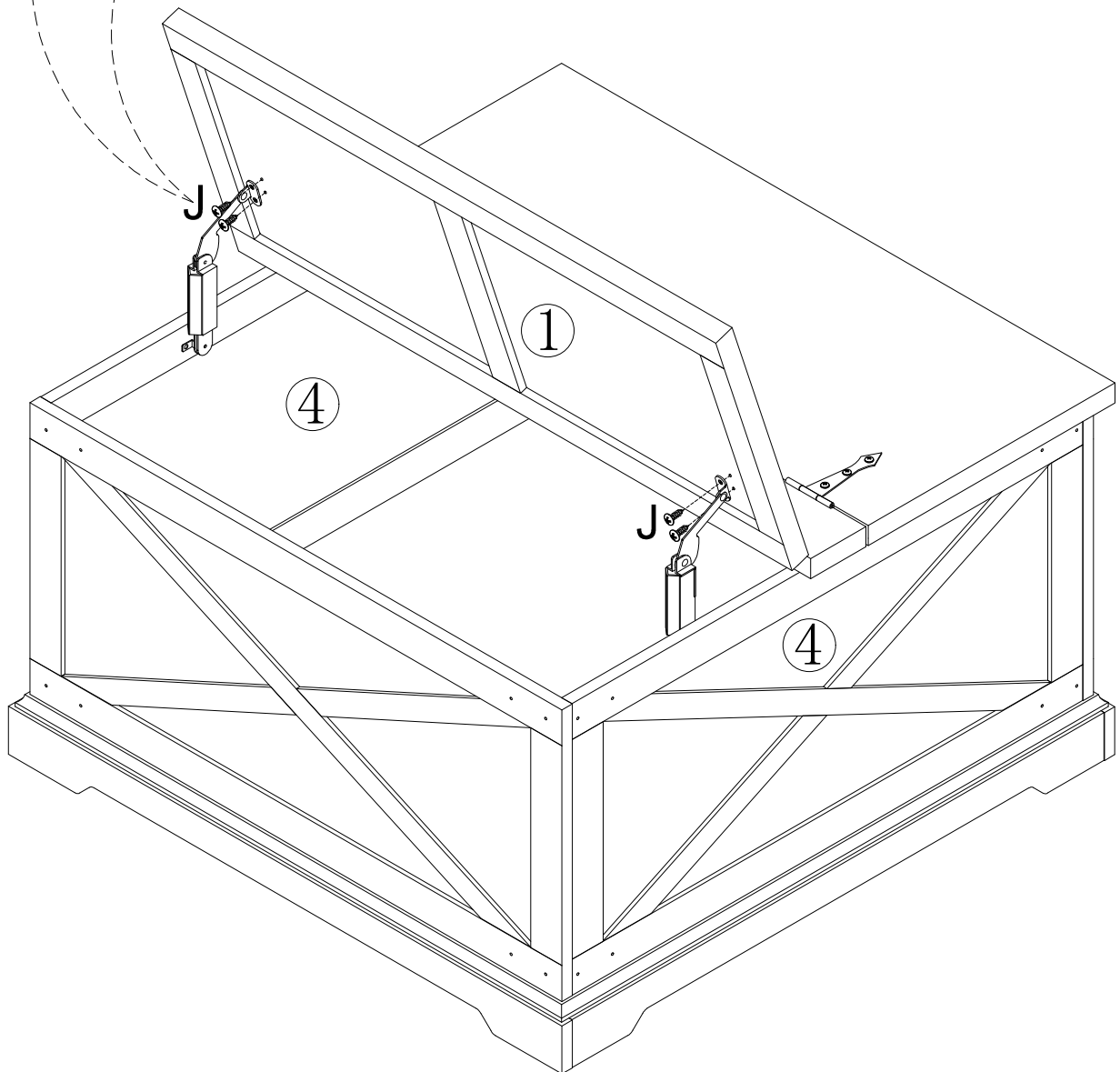
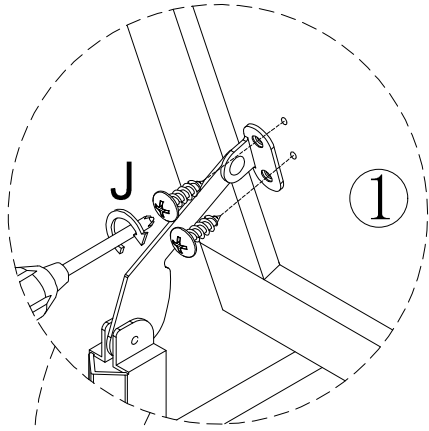


Step 18

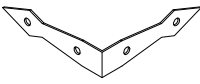
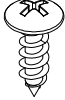
J

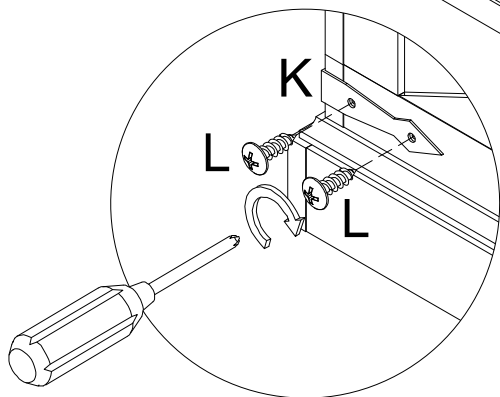
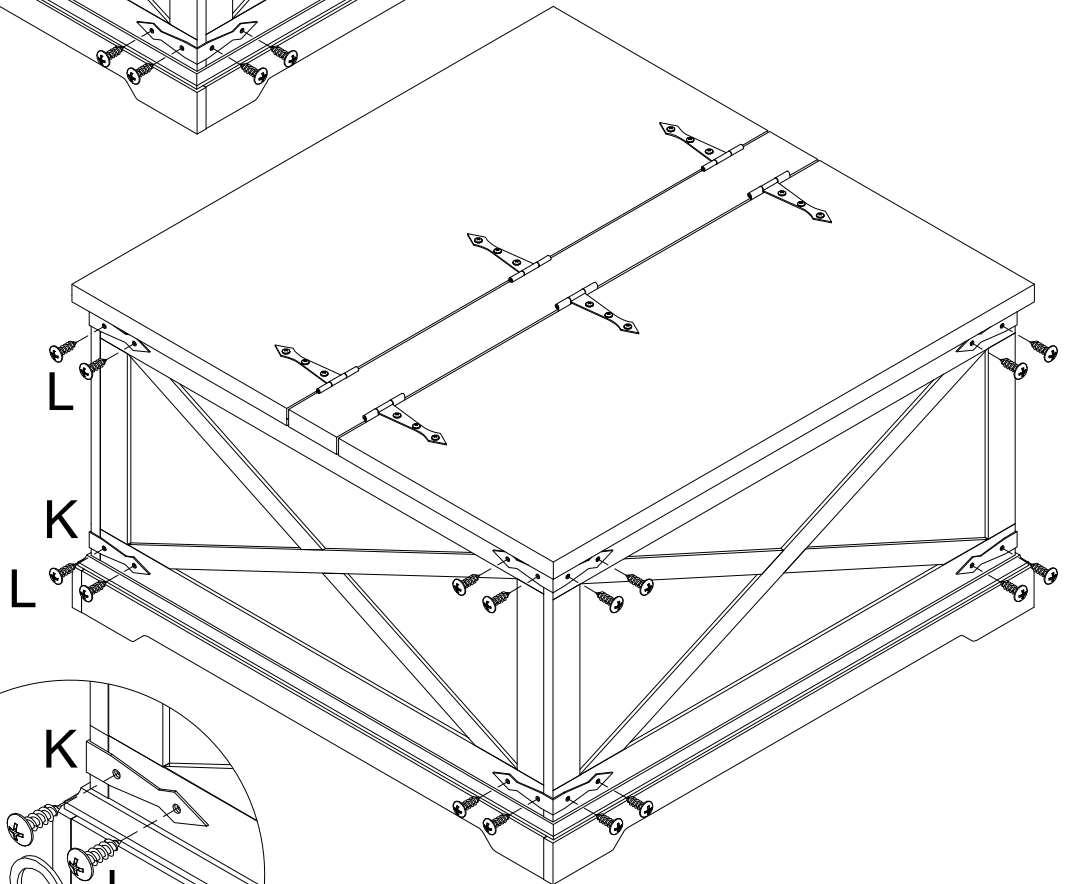
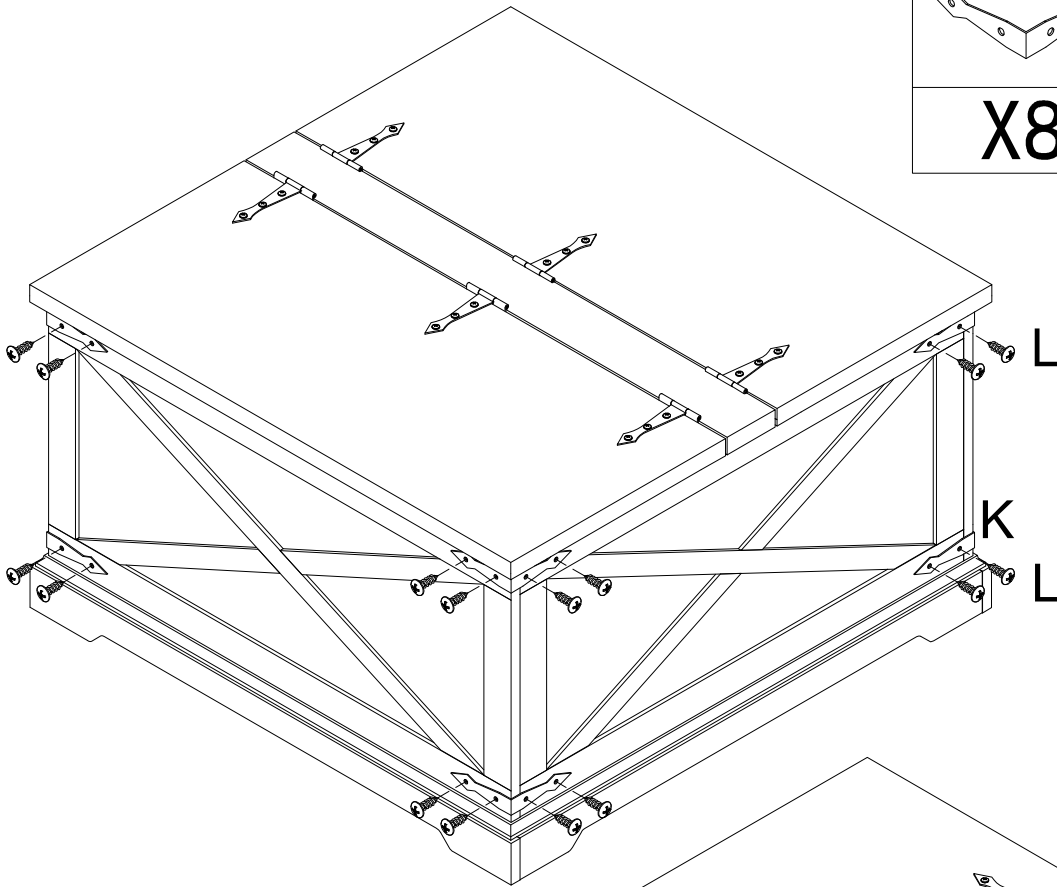


X4



Step 19

K	L
	
X8	X32



Step 20

