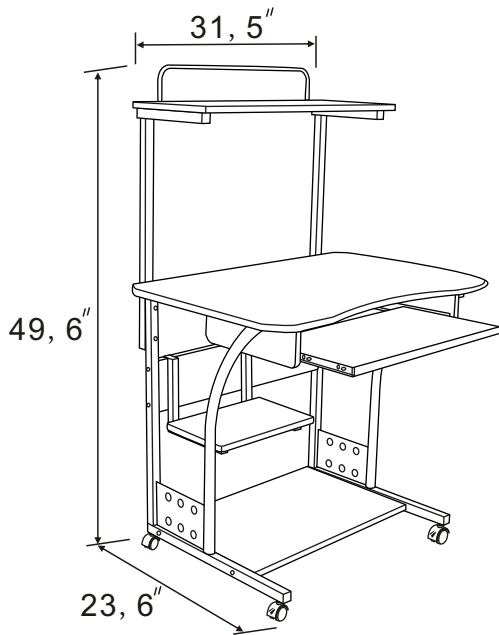


Latest Version: 01/07/16

Assembly Instruction

Mobile Computer Tower with Storage Item#: 50163



Thank you for purchasing our product!

We appreciate your business!

Assembly Requirements:

(1) Approximate Assembly Time: 60 minutes

(2) 2 Person Assembly

Tools Required: Phillips Screwdriver Adjustable Wrench



Do Not Use Power Tool

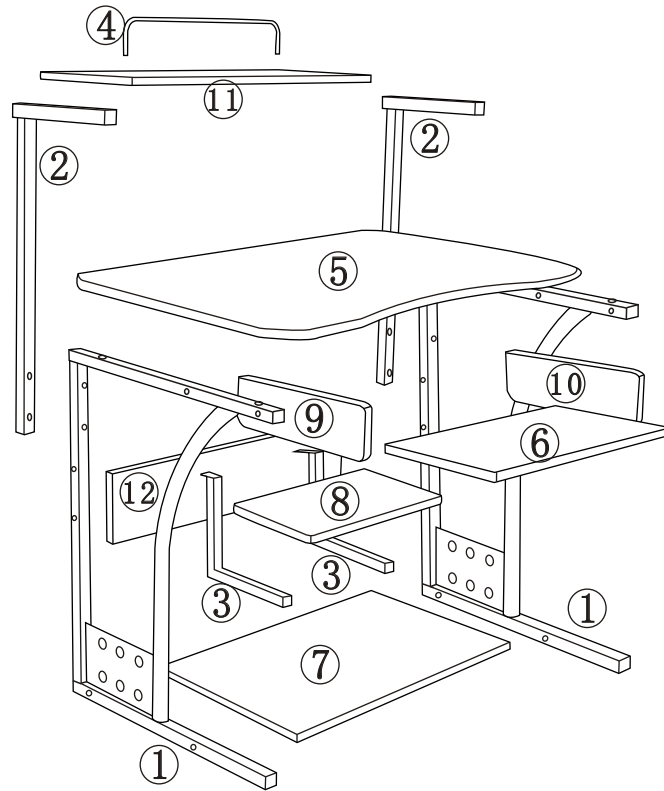
Hardware List

5mm	A		B		B1		B2		B3		B4		C	
10mm														
15mm														
20mm														
25mm														
30mm														
35mm														
40mm														
45mm														
50mm														
55mm														
60mm														
	Screw		Bolt		Bolt		Bolt		Bolt		Bolt Shipped in bracket		Screw	
	ST5X50mm		M6X60mm	M6X50mm	M6X35mm	M6X30mm	M6X25mm	ST3.5X12mm						
	8 pcs		4 pcs	4 pcs	8 pcs	4 pcs	2 pcs	4 pcs						

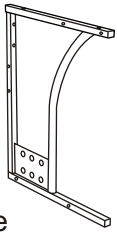
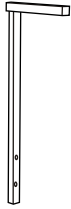
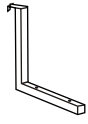


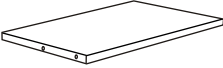
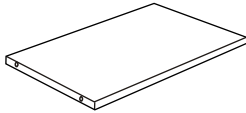

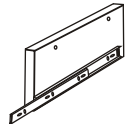
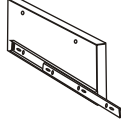
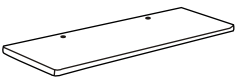

D	E	F	G
	Attached to side panel 		
Nut	Runner	Caster with brake	Caster
M6	2 pcs	2 pcs	2 pcs
8 pcs			

Assembly Instruction

Mobile Computer Tower with Storage Item#: 50163



Parts List

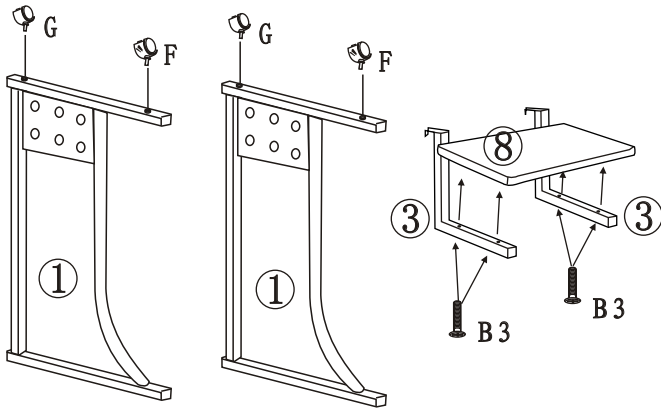
<p>①</p>  <p>Metal frame 2pcs</p>	<p>②</p>  <p>Part frame 2pcs</p>	<p>③</p>  <p>Metal tube 2pcs</p>
<p>④</p>  <p>Bracket 1pc</p>	<p>⑤</p>  <p>Main panel 1pc</p>	<p>⑥</p>  <p>Keyboard panel 1pc</p>
<p>⑦</p>  <p>Bottom panel 1pc</p>	<p>⑧</p>  <p>Upper panel 1pc</p>	<p>⑨</p>  <p>Left side panel 1pc</p>
<p>⑩</p>  <p>Right side panel 1pc</p>	<p>⑪</p>  <p>Top panel 1pc</p>	<p>⑫</p>  <p>Back panel 1pc</p>

Latest Version: 01/07/16

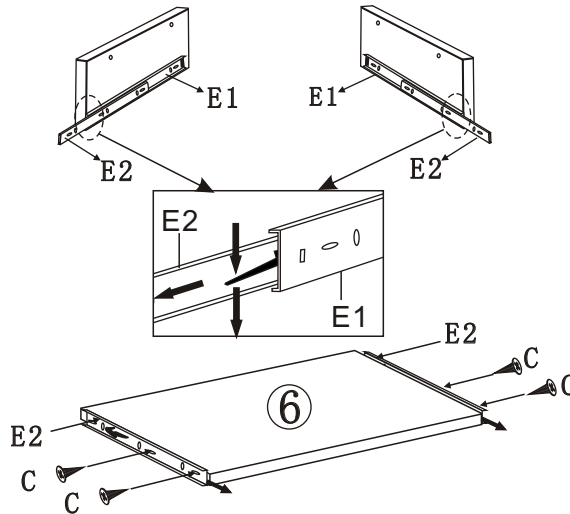
Assembly Instruction

Mobile Computer Tower with Storage Item#: 50163

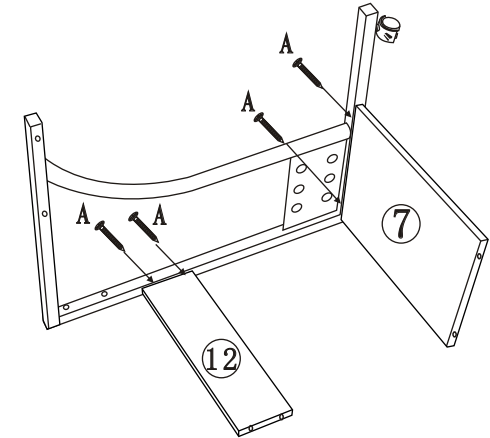
- 1** ① Screw-on caster with brake (F) and caster (G) to metal frame (1) as shown. Tighten the hexagon nut on the caster with an adjustable wrench.
② Install upper panel (8) to metal tube (3) using bolt (B3).



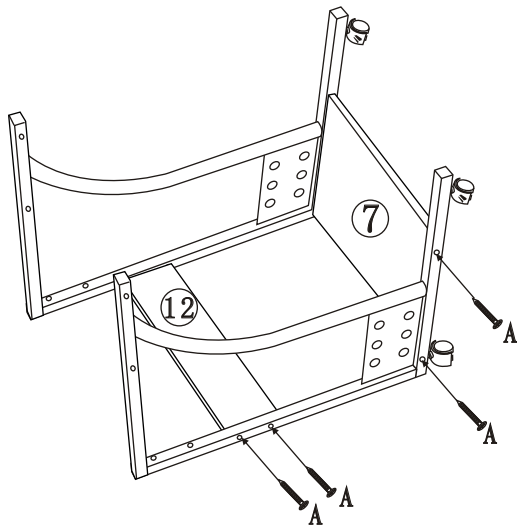
- 2** ① Push down plastic lever and slide out inner runner (E2).
② Attach runner (E2) to the keyboard panel (6) using screw (C).



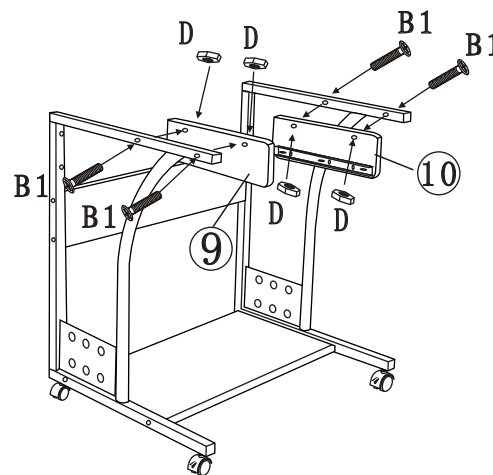
- 3** Use screw (A) to install bottom panel (7) and back panel (12) to the metal frame (1).



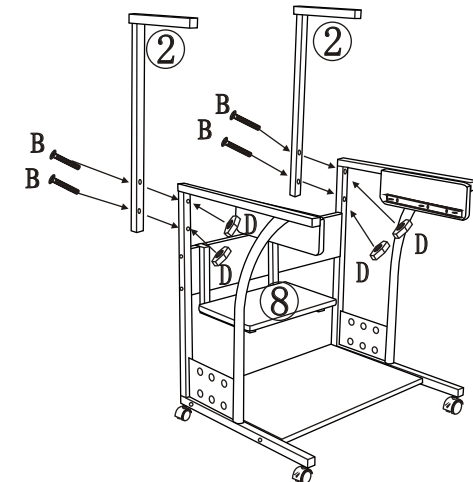
- 4** Use screw (A) to install the metal frame (1) to bottom panel (7) and back panel (12).



- 5** Attach side panel (9) and (10) as shown using bolt (B1) and nut (D).



- 6** ① Attach part frame (2) to metal frame (1) using bolt (B) and nut (D).
② Attach metal tube (3) on upper panel (8) to back panel (12).

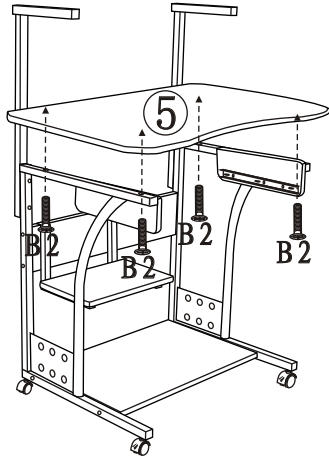


Latest Version: 01/07/16

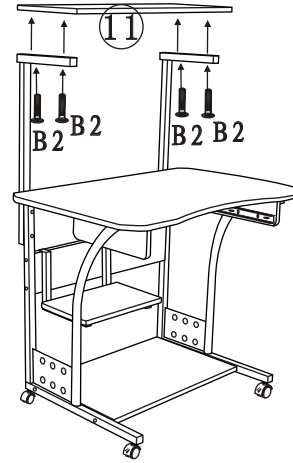
Assembly Instruction

Mobile Computer Tower with Storage Item#: 50163

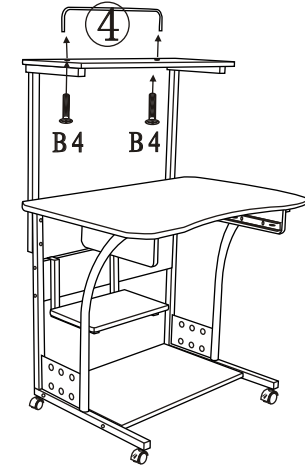
7 Install main panel (5) using bolt (B2).



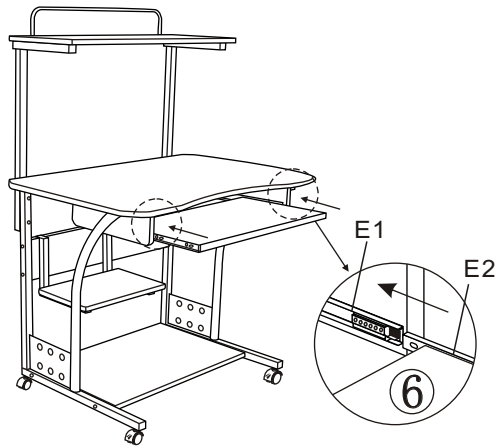
8 Attach top panel (11) to part frame (2) using bolt (B2)



9 Attach bracket (4) to top panel (11) using bolt (B4)



10 Align runner (E2) on keyboard panel (6) to the runner (E1) on side panel (9), (10) and push keyboard panel (6) gently into position.



11 Completed Assembly

