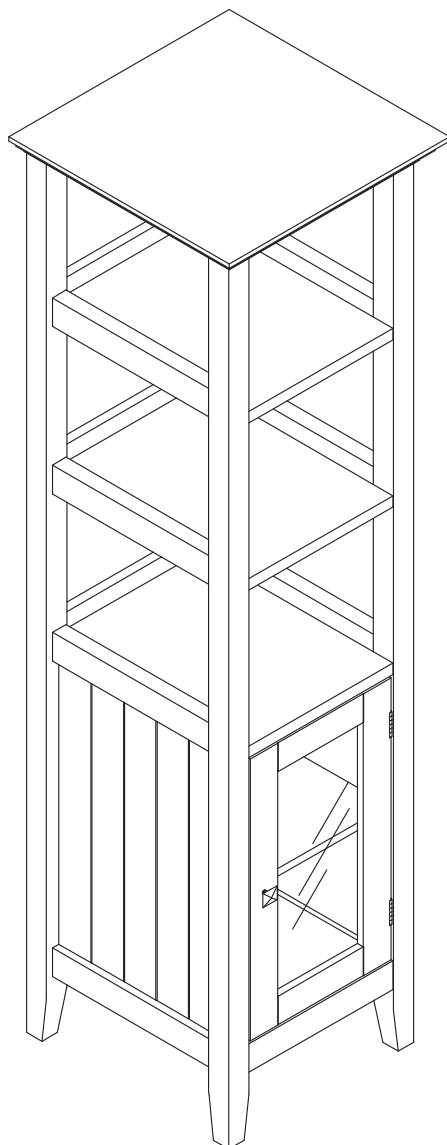


BATH STORAGE TOWER





Questions, problems, assembly help, missing parts?

No need to return the product, we will gladly help and ship your replacement parts free of charge
Please call Customer Service

In order to assist you in a timely manner, please have the following information ready:

Model # _____ Part Number or Letter _____

Purchased at _____ Date of Purchase _____

If you wish to return the product, please contact the retailer where the product was purchased.

IMPORTANT : Please read this manual carefully before beginning assembly of this product. Keep this manual for future reference.

SAFETY INFORMATION

Identify all the parts and hardware. Do not discard of the packaging until you have checked that you have all of the parts and hardware required. Hardware package may have spare parts.

WARNING: This item contains small parts which can be swallowed by children and pets. Keep children and pets away during assembly. To avoid danger of suffocation, always keep plastic bags away from children and pets. We recommend that you assemble this unit on a carpeted floor to avoid scratches. If using power tools, set the tool to low torque to avoid damage.

May require 2 people for ease of assembly.

CARE and MAINTENANCE

To clean, use a soft or slightly damp cloth, then wipe with a clean, dry cloth. Dust with soft dry cloth.

Do not use ammonia-based cleaning products, as they will damage the finish.

Do not leave liquids or damp cloths on this furniture.

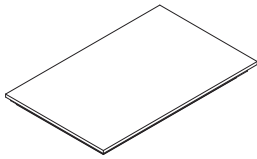
To avoid dulling of the finish, do not place furniture in direct sunlight.

Please inspect and tighten all screws or bolts on a regular basis to ensure proper performance and safety of your item.

PRE-ASSEMBLY INFORMATION

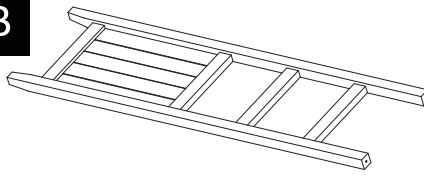
PARTS DESCRIPTION

A



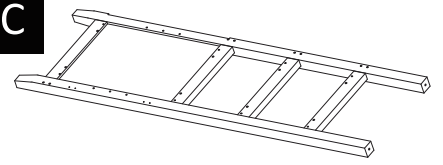
CABINET TOP
QTY 1

B



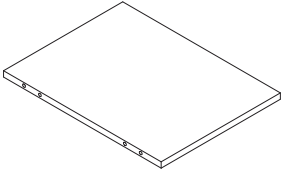
LEFT SIDE PANEL
QTY 1

C



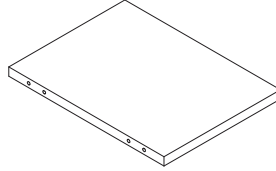
RIGHT SIDE PANEL
QTY 1

D



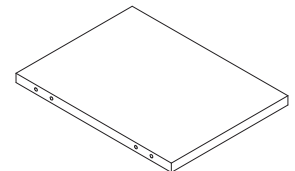
BOTTOM PANEL
QTY 1

E



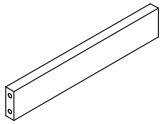
SHELF
QTY 2

F



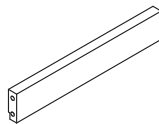
MIDDLE SHELF
QTY 1

G



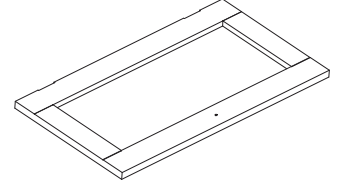
REAR BAR
QTY 3

H



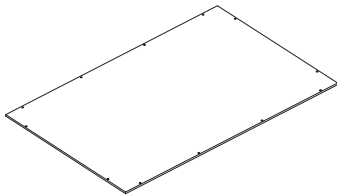
MIDDLE REAR BAR
QTY 1

I



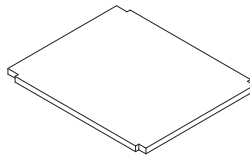
DOOR
QTY 1

J



BACK PANEL
QTY 1

K

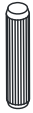





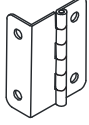
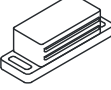











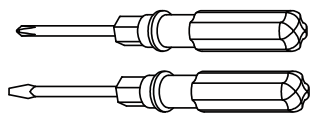
ADJUSTABLE SHELF
QTY 1

NEED HELP? For help with assembly or if you are missing a part,
Please call customer service

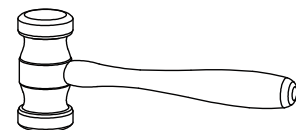
PRE-ASSEMBLY INFORMATION

HARDWARE DESCRIPTION

<p>1</p>  <p>WOOD DOWEL QTY 32</p>	<p>2</p>  <p>CAM BOLT QTY 20</p>	<p>3</p>  <p>CAM LOCK QTY 16</p>
<p>4</p>  <p>CAM LOCK QTY 4</p>	<p>5</p>  <p>SCREW QTY 10</p>	<p>6</p>  <p>SCREW QTY 2</p>
<p>7</p>  <p>METAL HINGE QTY 2</p>	<p>8</p>  <p>MAGNET QTY 1</p>	<p>9</p>  <p>METAL PLATE QTY 1</p>
<p>10</p>  <p>SCREW QTY 12</p>	<p>11</p>  <p>HANDLE QTY 1</p>	<p>12</p>  <p>SCREW QTY 1</p>
<p>13</p>  <p>SHELF SUPPORT QTY 4</p>	<p>14</p>  <p>BRACKET QTY 2</p>	<p>15</p>  <p>CABLE QTY 1</p>
<p>16</p>  <p>PLASTIC ANCHOR QTY 1</p>	<p>17</p>  <p>SCREW QTY 1</p>	

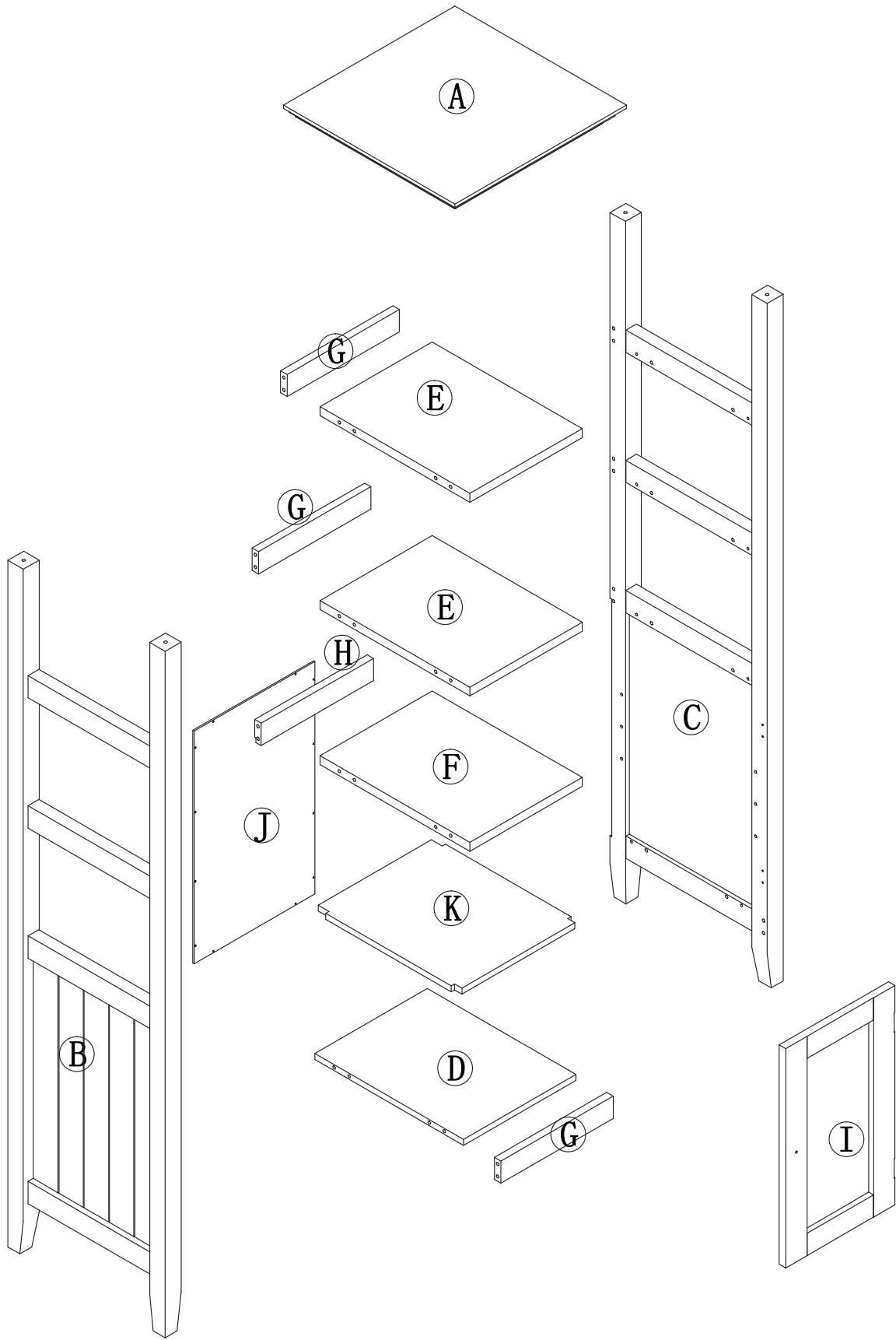


Required -
Flathead screwdriver
Phillips screwdriver
Rubber mallet
Not Included



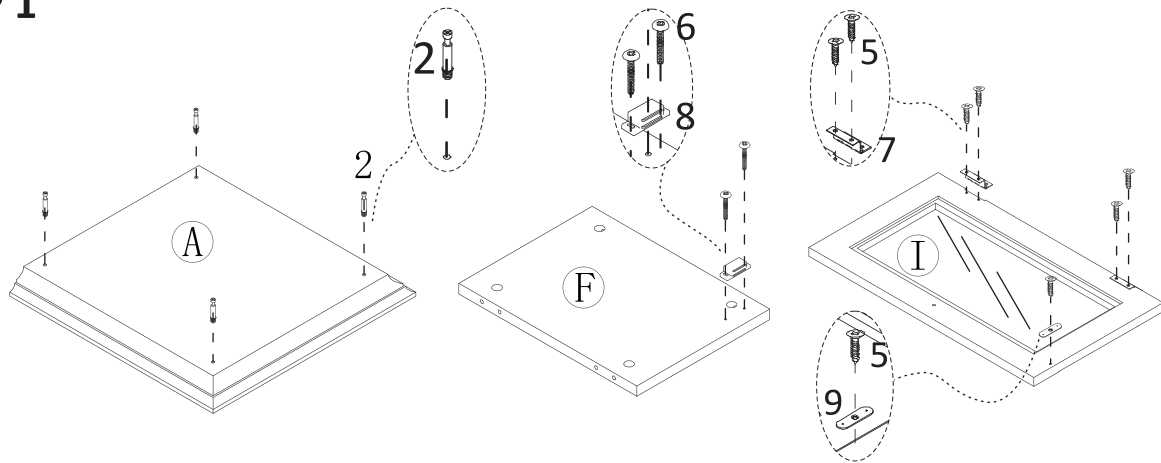
NEED HELP? For help with assembly or if you are missing a part,
Please call customer service

COMPONENTS-KEY DIAGRAM



ASSEMBLY

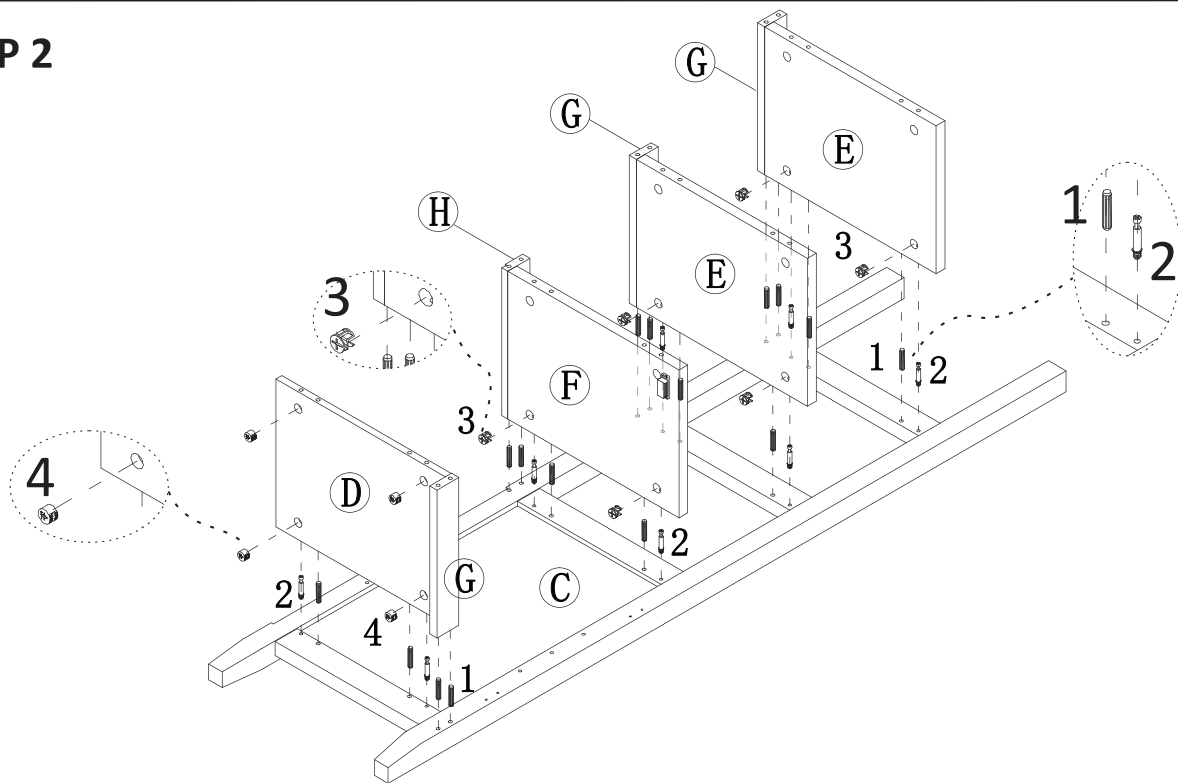
STEP 1



Assembling the Cabinet Top, Middle Shelf, Door

1. Lay down the cabinet top (A) and screw four cam bolts (2) into the pre-drilled holes using a Phillips screwdriver.
2. Insert two screws (6) through holes on magnet (8) and attach to middle shelf (F) using a Phillips screwdriver.
3. Lay down the door (I) and attach two metal hinges (7) to the door (I) by inserting four screws (5) through the holes on the metal hinges (7). Attach to the door (I) using a Phillips screwdriver. Attach the metal plate (9) to the door (I) by inserting one screw (5) through the hole on the metal plate (9) and attach to the door (I).

STEP 2

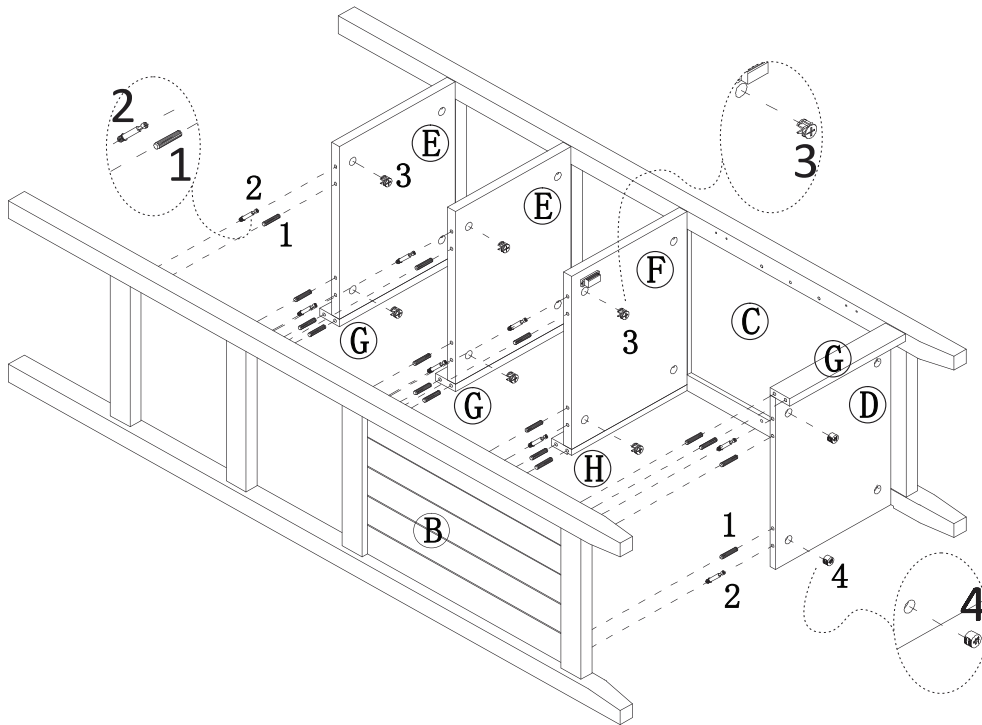


Assembling the Right Side Panel, Bottom Panel, Shelf, Middle Shelf, Rear Bar, Middle Rear Bar

1. Lay down the right side panel (C) and screw eight cam bolts (2) into the pre-drilled holes using a Phillips screwdriver.
2. Attach the rear bar (G) and middle rear bar (H) to the right side panel (C) by inserting eight wood dowels (1) through the holes on the rear bar (G) and middle rear bar (H).
3. Insert six wood dowels (1) into the right side panel (C), attach two shelves (E) and middle shelf (F) to the right side panel (C) by inserting six cam locks (3) into cam lock holes. Rotate clockwise to secure the cam locks (3) in place using a Phillips screwdriver.
4. Insert two wood dowels (1) into the right side panel (C), attach the bottom panel (D) to the right side panel (C) by inserting two cam locks (4) into cam lock holes. Rotate clockwise to secure the cam locks (4) in place using a Phillips screwdriver.

ASSEMBLY

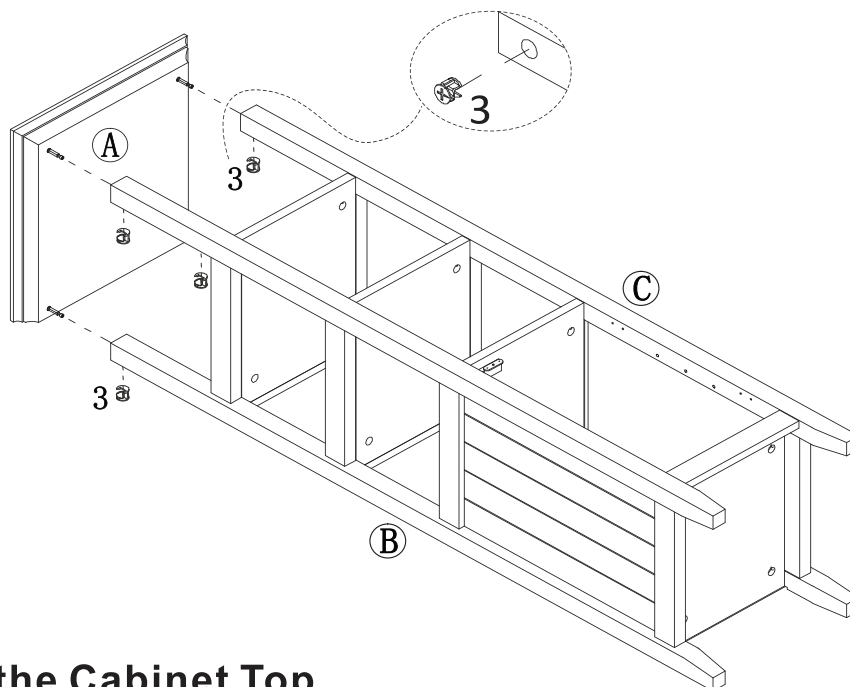
STEP 3



Assembling the Left Side Panel

1. Lay down the right side panel (C) and screw eight cam bolts (2) into the pre-drilled holes using a Phillips screwdriver.
2. Insert six wood dowels (1) into dowel holes on the rear bar(G) and insert two wood dowels (1) into dowel holes on the middle rear bar (H).
3. Insert eight wood dowels (1) into dowel holes on the middle shelf (F), bottom panel (D) and shelf (E).
4. Attach the left side panel (B) to the middle shelf (F) and shelf (E) by inserting six cam locks (3) into cam lock holes in the middle shelf (F) and shelf (E).
5. Insert two cam locks (4) into cam lock holes in the bottom panel (D), rotate clockwise to secure cam bolts in place by using a Phillips screwdriver.

STEP 4

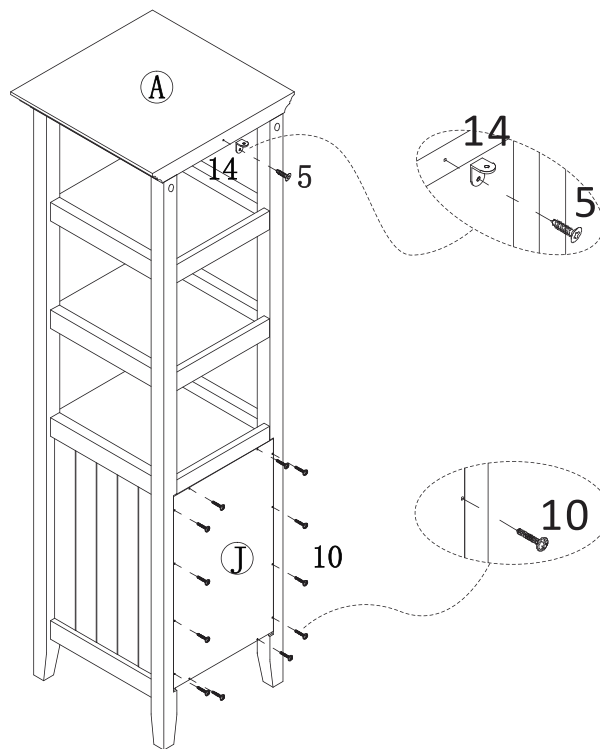


Assembling the Cabinet Top

1. Attach the cabinet top (A) to the left side panel (B) and right side panel (C) by inserting four cam locks (3) into cam lock holes on the left side panel (B) and right side panel (C) and rotate clockwise to secure the cam bolts in place using Phillips screwdriver.

ASSEMBLY

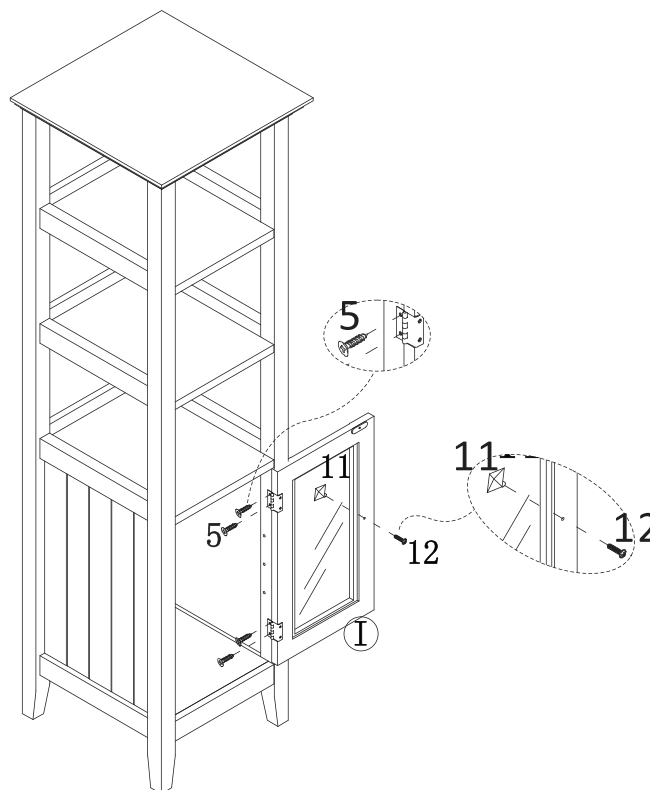
STEP 5



Assembling the Back Panel and Anti-tip Restraint

1. Attach the bracket (14) to the center back of the cabinet top (A) by inserting a screw (5) through the hole on the bracket (14). Attach to the cabinet top (A) using a Phillips screwdriver.
2. Attach the back panel (J) to the left side panel (B) and right side panel (C) by inserting twelve screws (10) through the holes on the back panel (J).

STEP 6

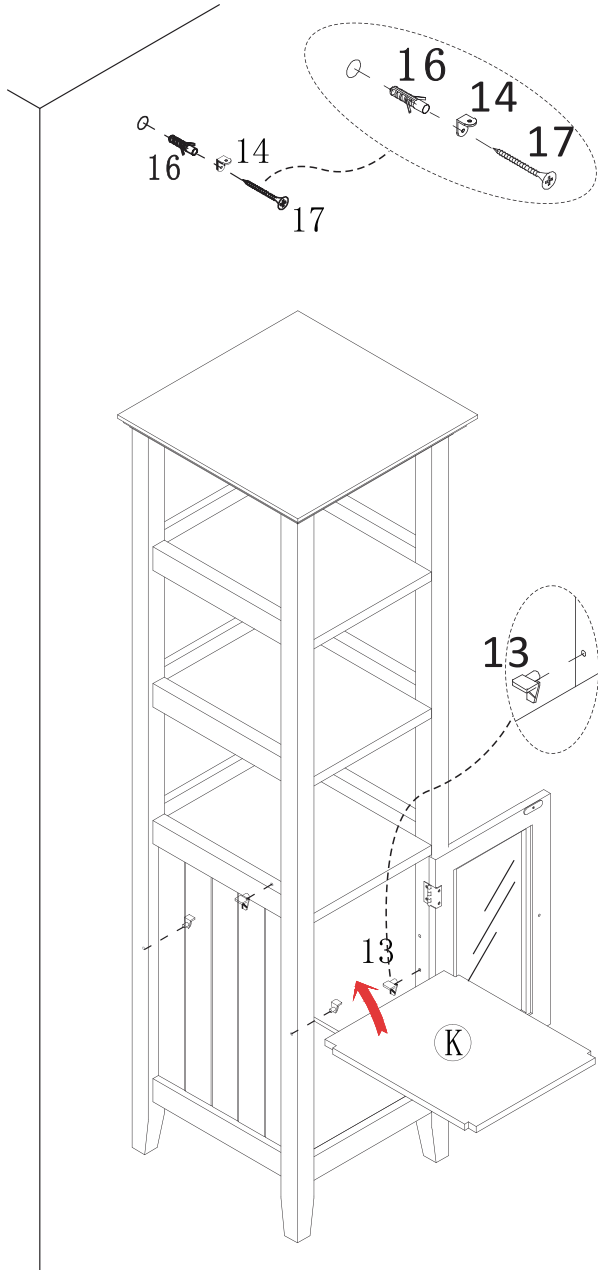


Assembling the Door

1. Attach the door (I) to the right side panel (C) by inserting four screws (5) through the holes on the metal hinge (7) and tighten.
2. Attach handle (11) to the door (I) with a screw (12).

ASSEMBLY

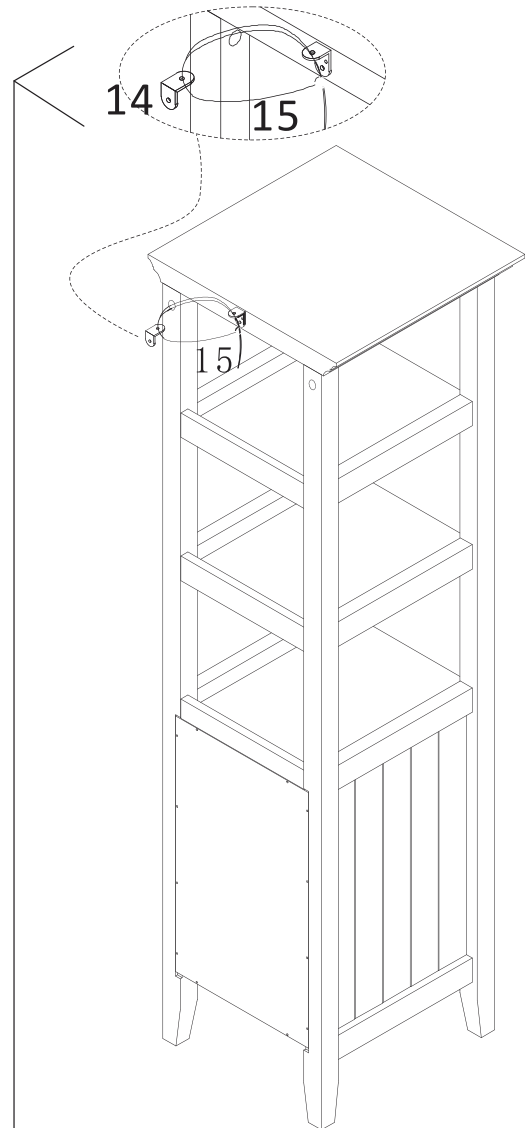
STEP 7



Assembling the Adjustable Shelf

1. According to the position of the bracket (14) assembled to the cabinet, drill a hole on the wall.
2. Insert one plastic anchor (16) into the hole on the wall then attach another bracket (14) to the plastic anchor (16).
3. Insert screw (17) through the bracket (14) and attach to the plastic anchor (16).
4. Insert four shelf supports (13) into holes in the cabinet on both side panels (B) and (C) at the same level. Insert adjustable shelf (K) into the cabinet on the top of the shelf supports (13).

STEP 8



Attaching the Anti-tip Restraint

1. Place the cabinet against the wall. Insert the cable (15) through the bracket (14) on the cabinet, then through the other bracket (14) on the wall. Fasten the cable (15) to affix the two brackets (14) firmly.

WARRANTY

Thank you for purchasing a product. These products have been made to demanding, high-quality standards and are guaranteed for domestic use against manufacturing faults for a period of 12 months from the date of purchase. This warranty does not affect your statutory rights.

In case of any malfunction of your product (failure, missing parts, etc.) please contact us at our toll free service line or by email

We reserve the right to repair or replace the defective product, at its discretion.

This product is guaranteed for 12 months if used for normal purposes. Any warranty is invalid if the product has been overloaded or subject to neglect, improper use or an attempted repair by other than an authorized agent. Heavy-duty or daily professional/commercial usage are not guaranteed.

Due to continuous product improvement, we reserve the right to change the product specifications without prior notice.